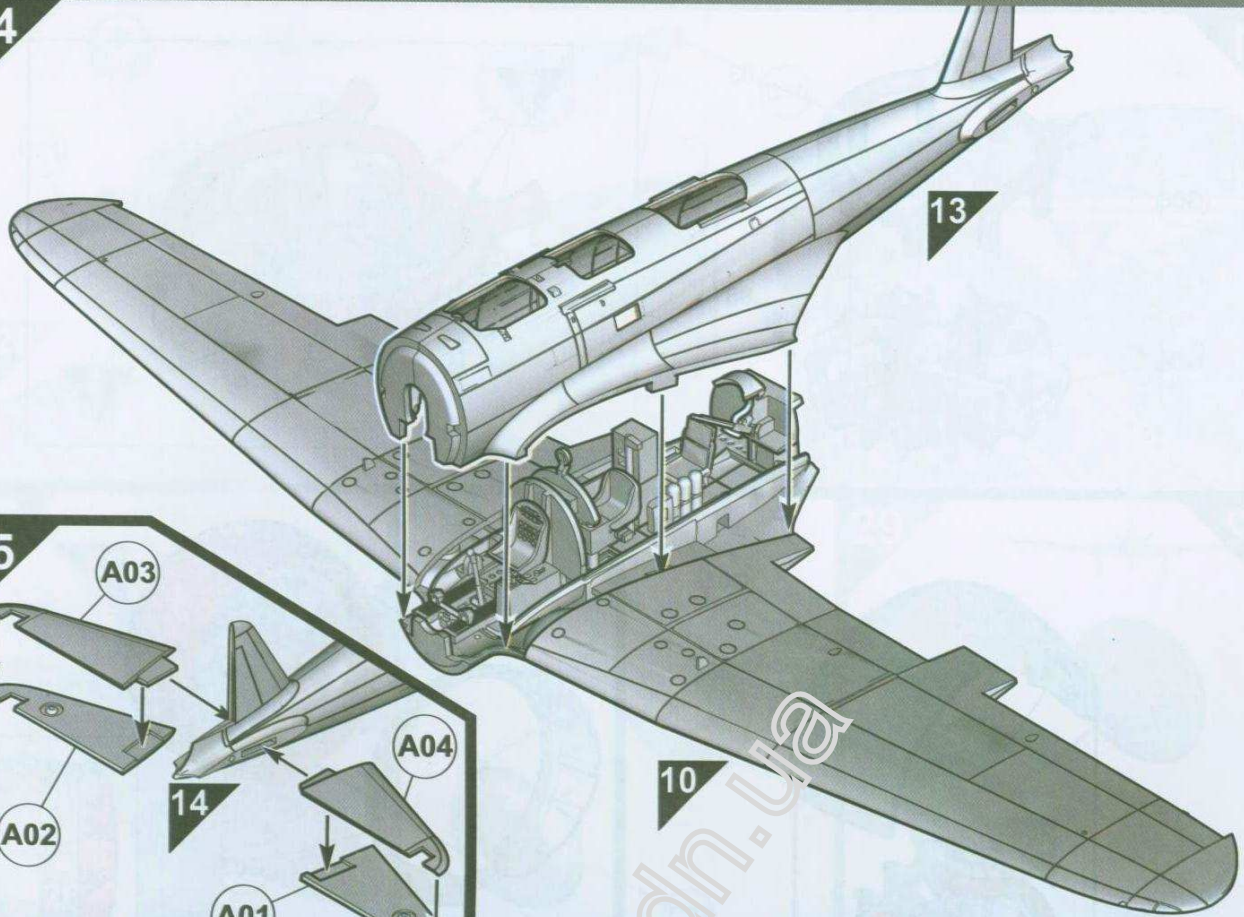
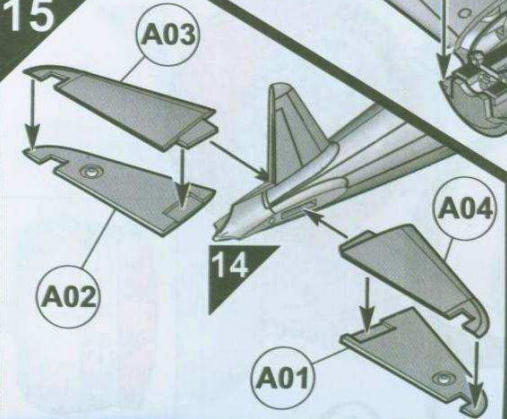


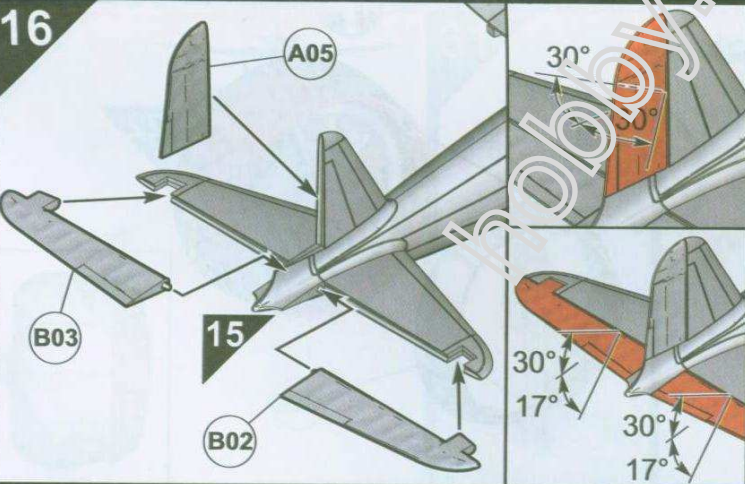
14



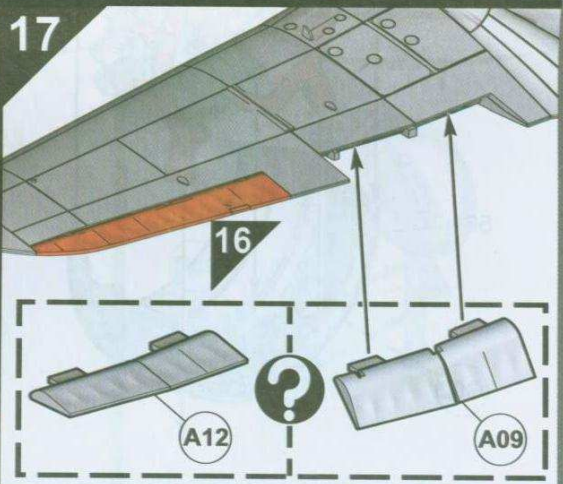
15



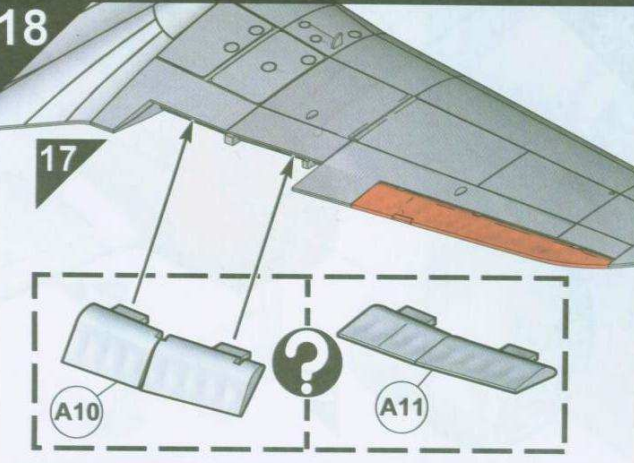
16



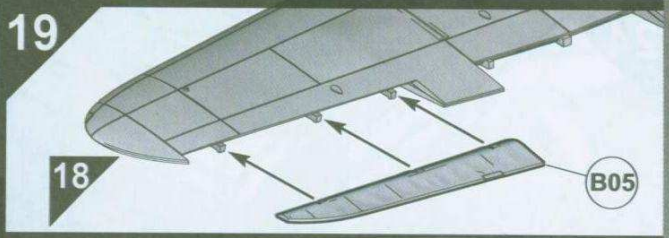
17



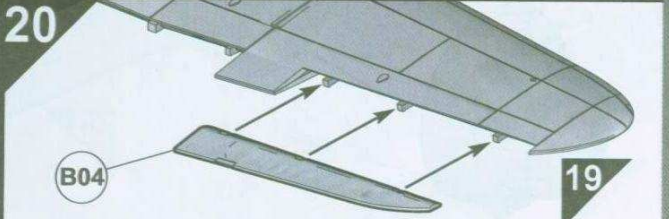
18



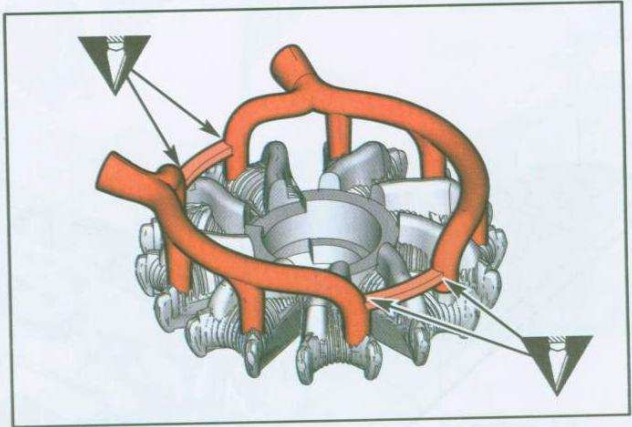
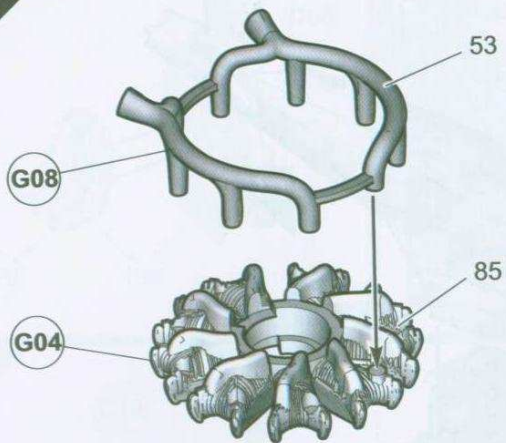
19



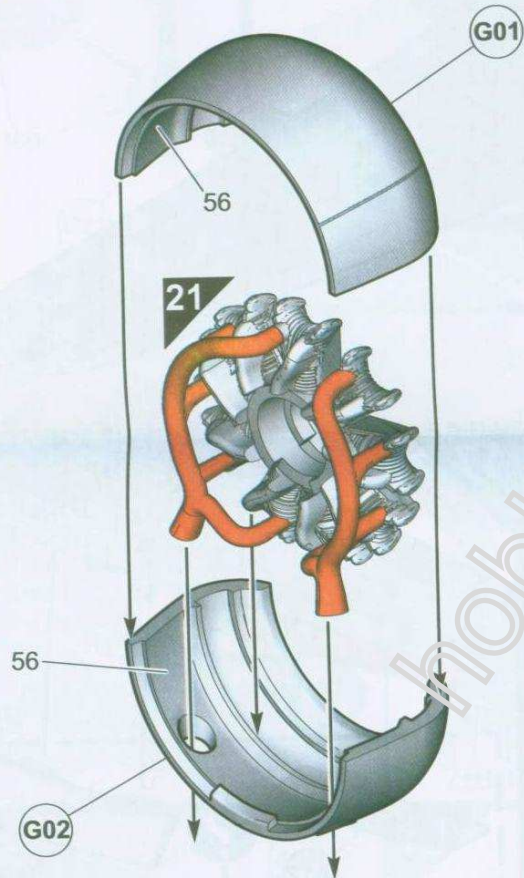
20



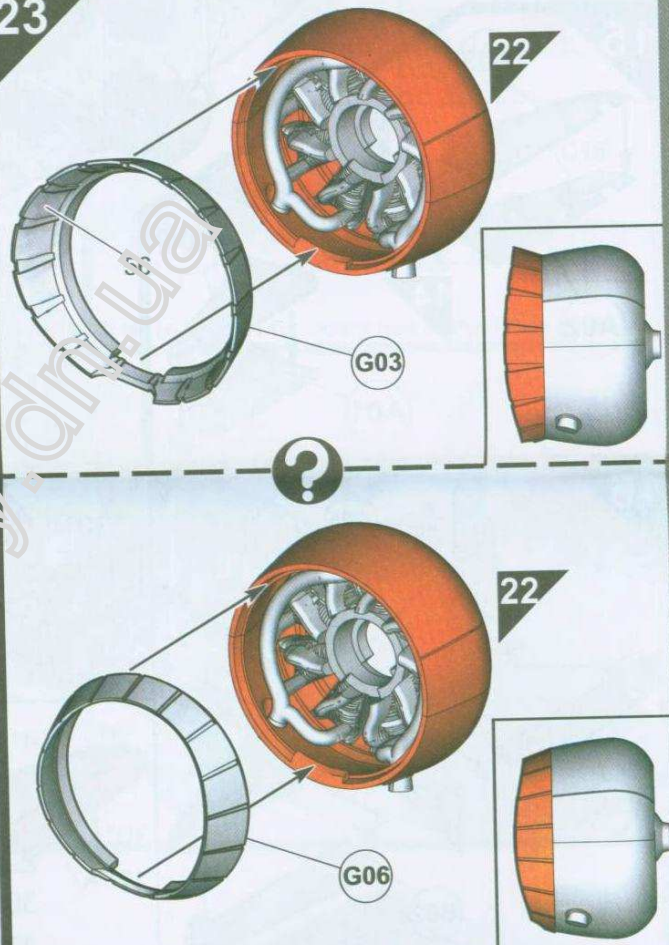
21



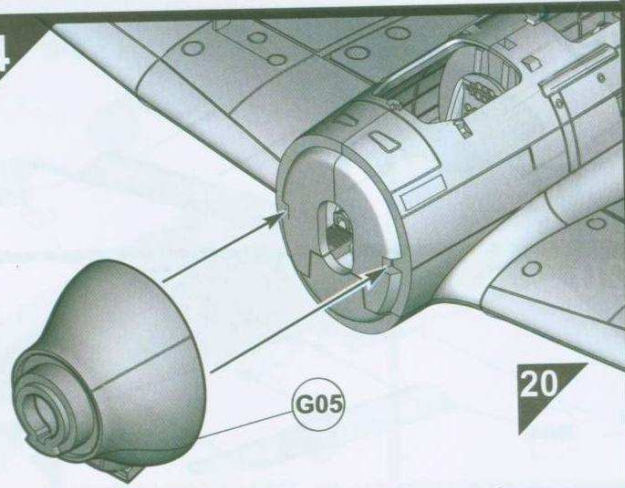
22



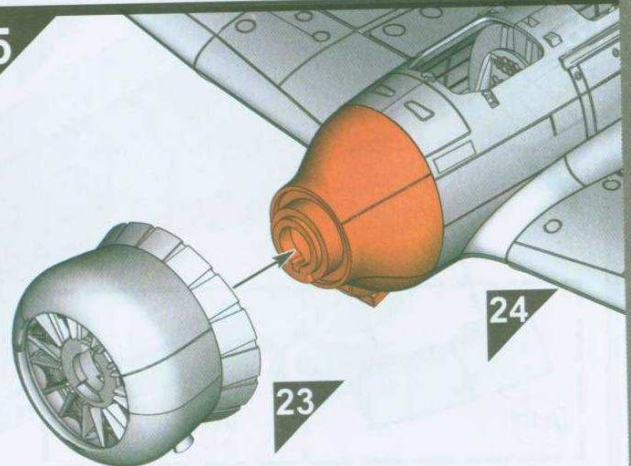
23

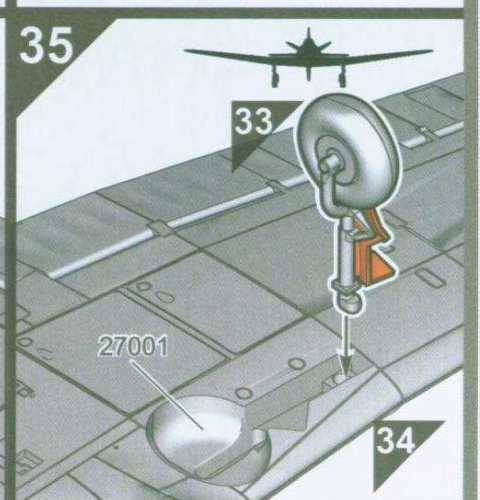
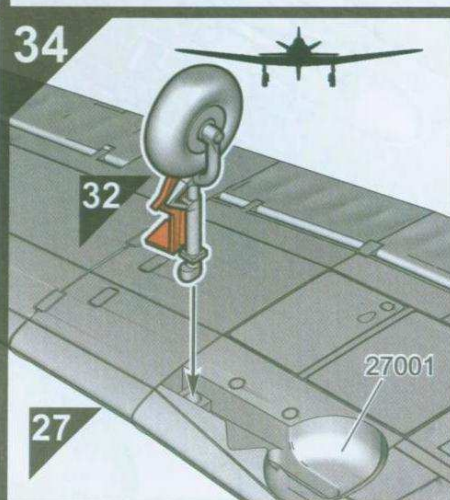
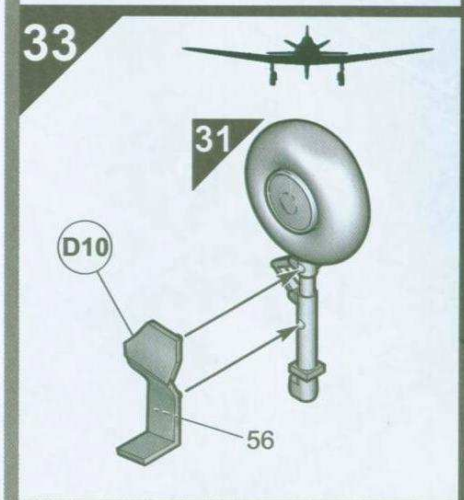
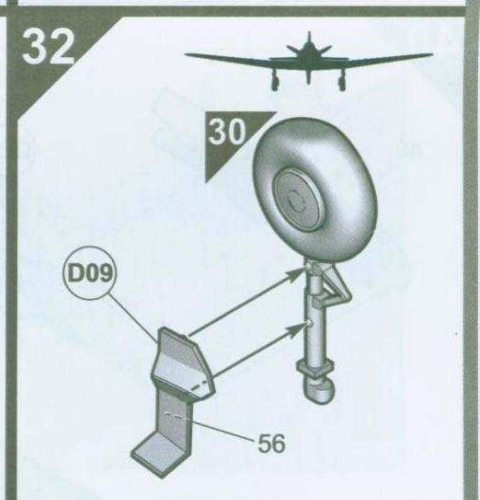
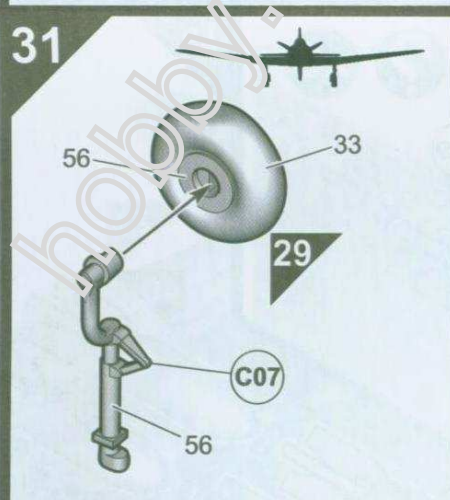
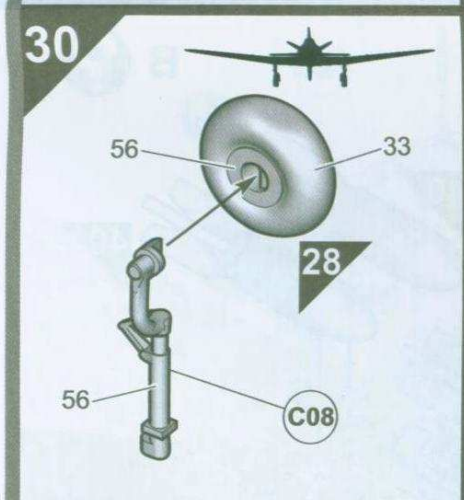
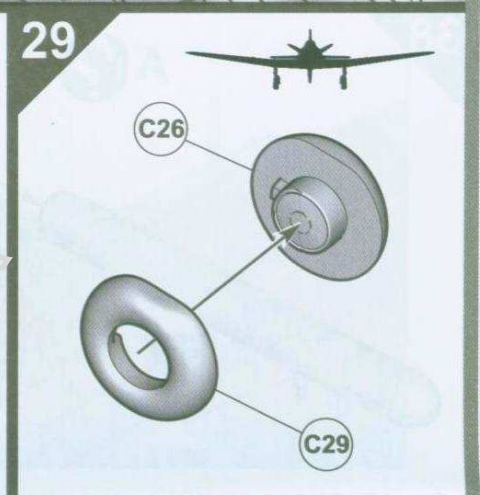
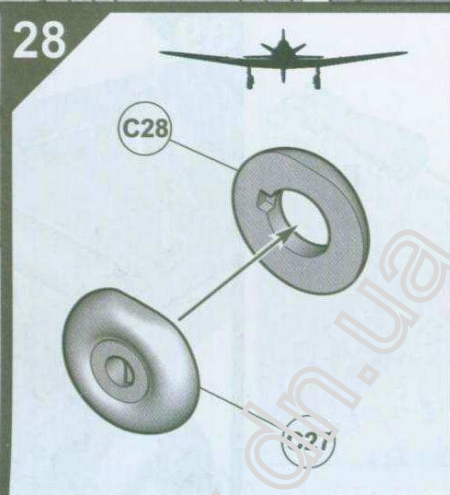
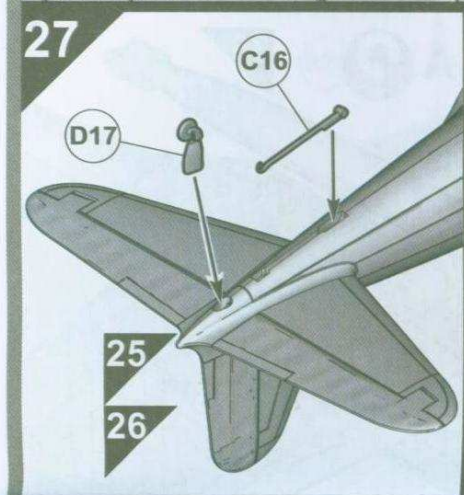
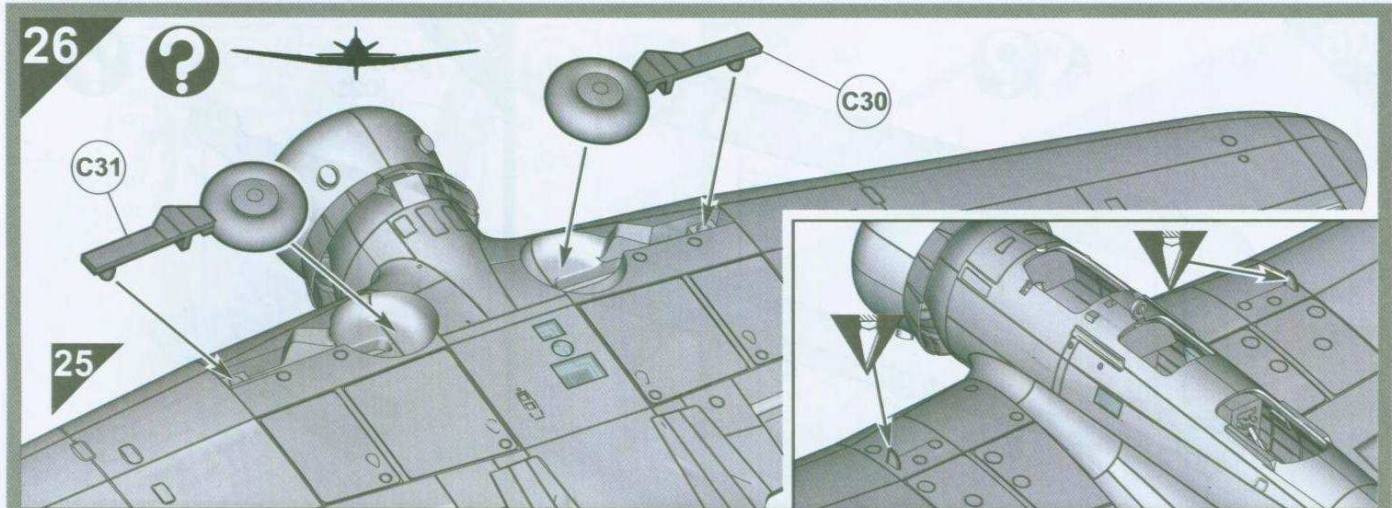


24



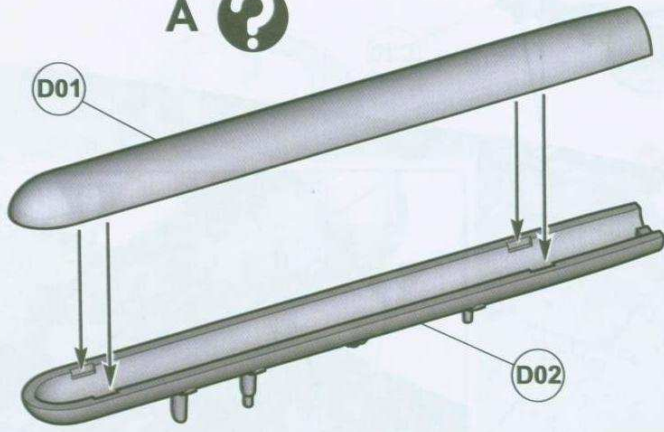
25





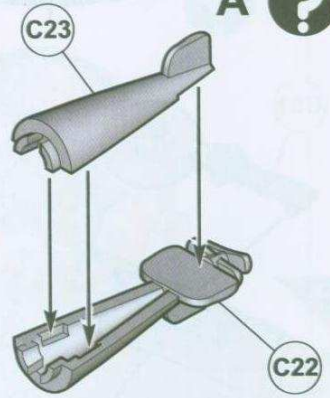
36

A ?



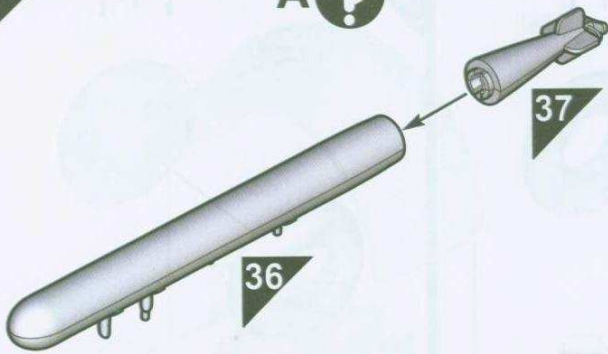
37

A ?



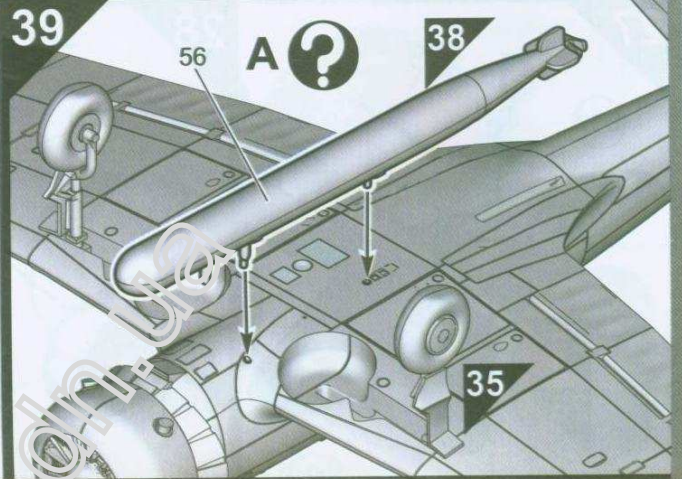
38

A ?



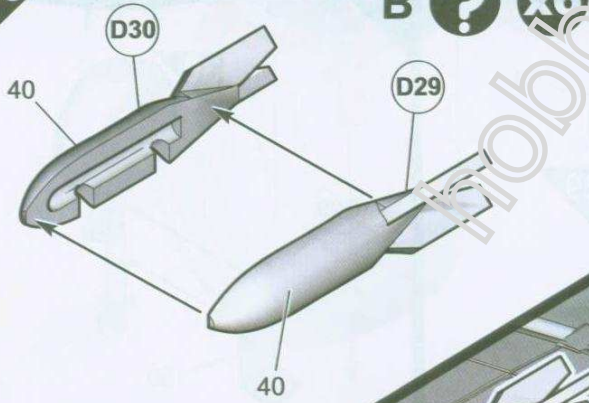
39

A ?



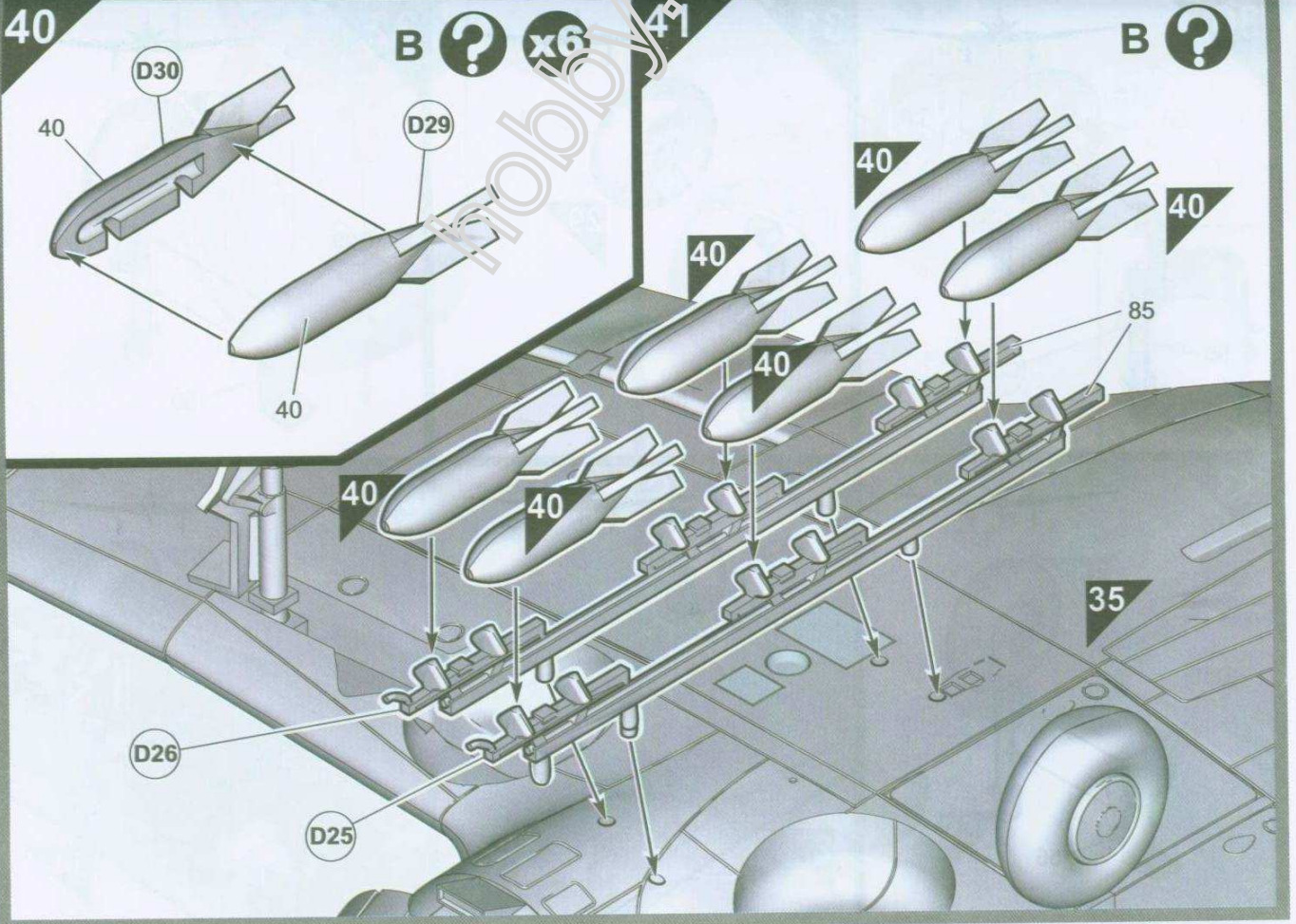
40

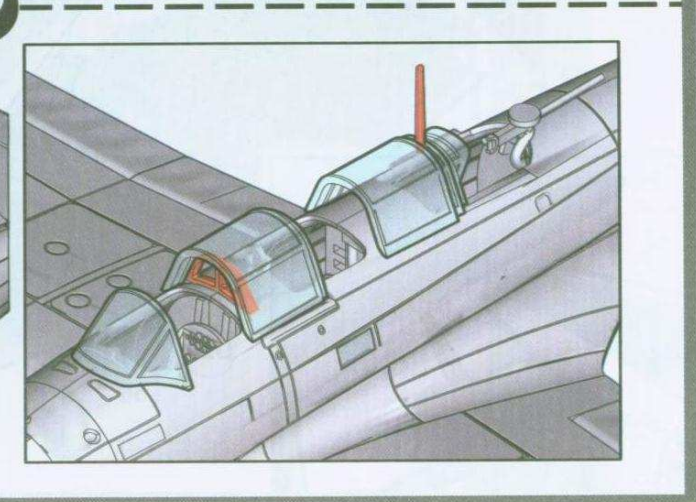
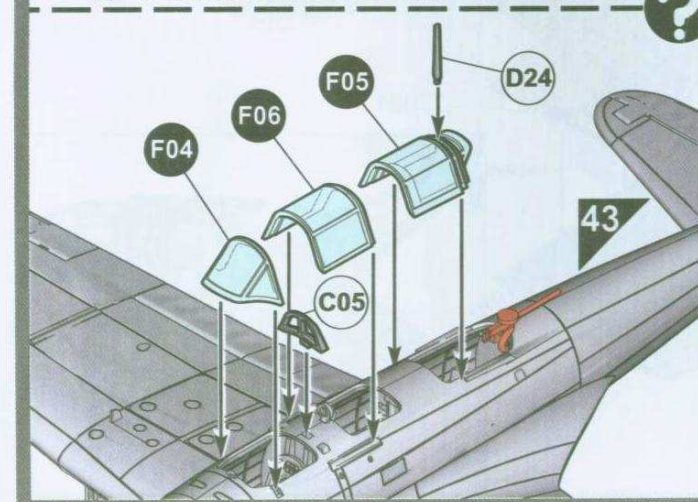
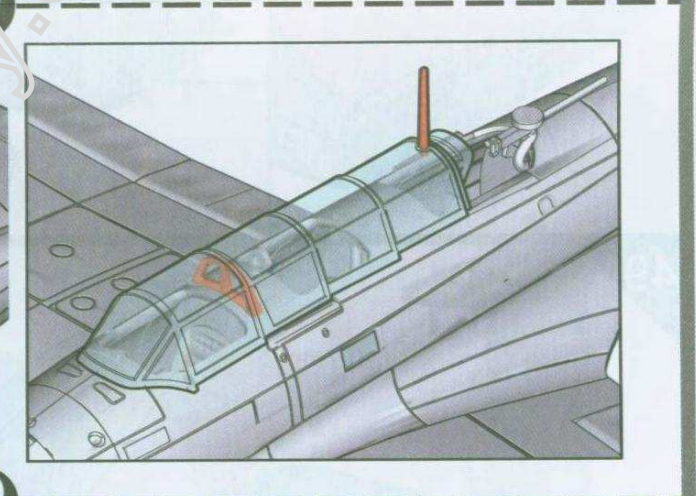
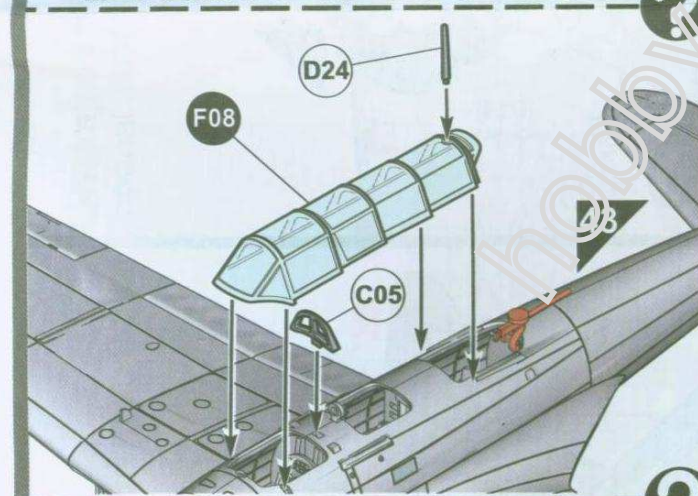
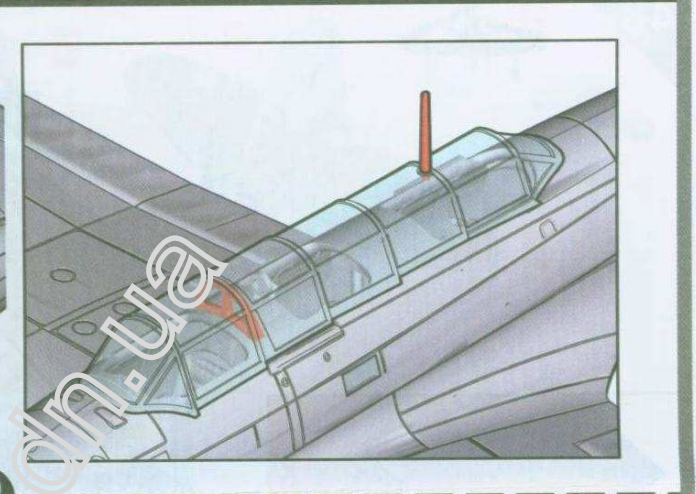
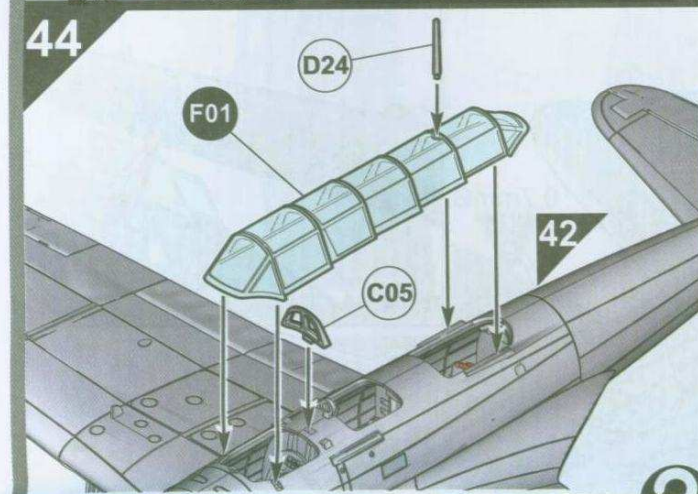
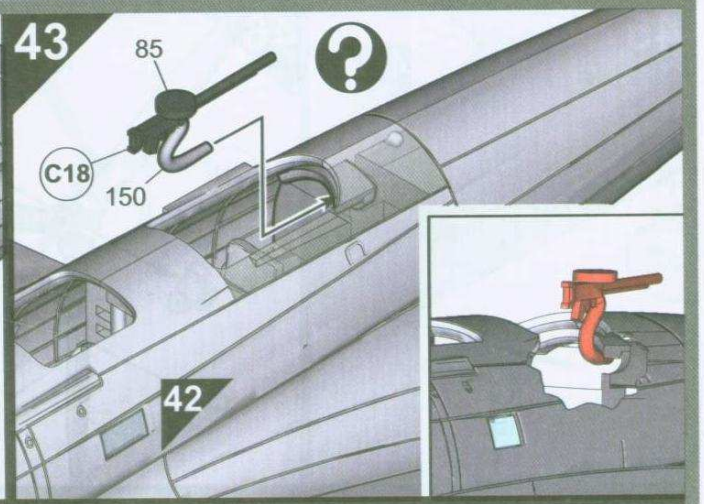
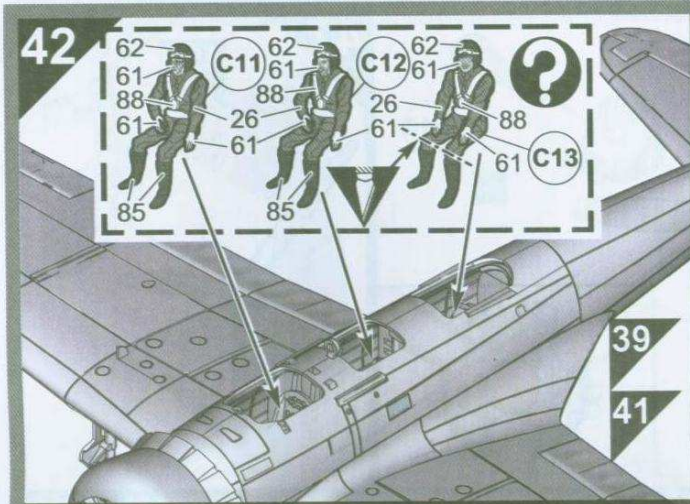
B ? x6

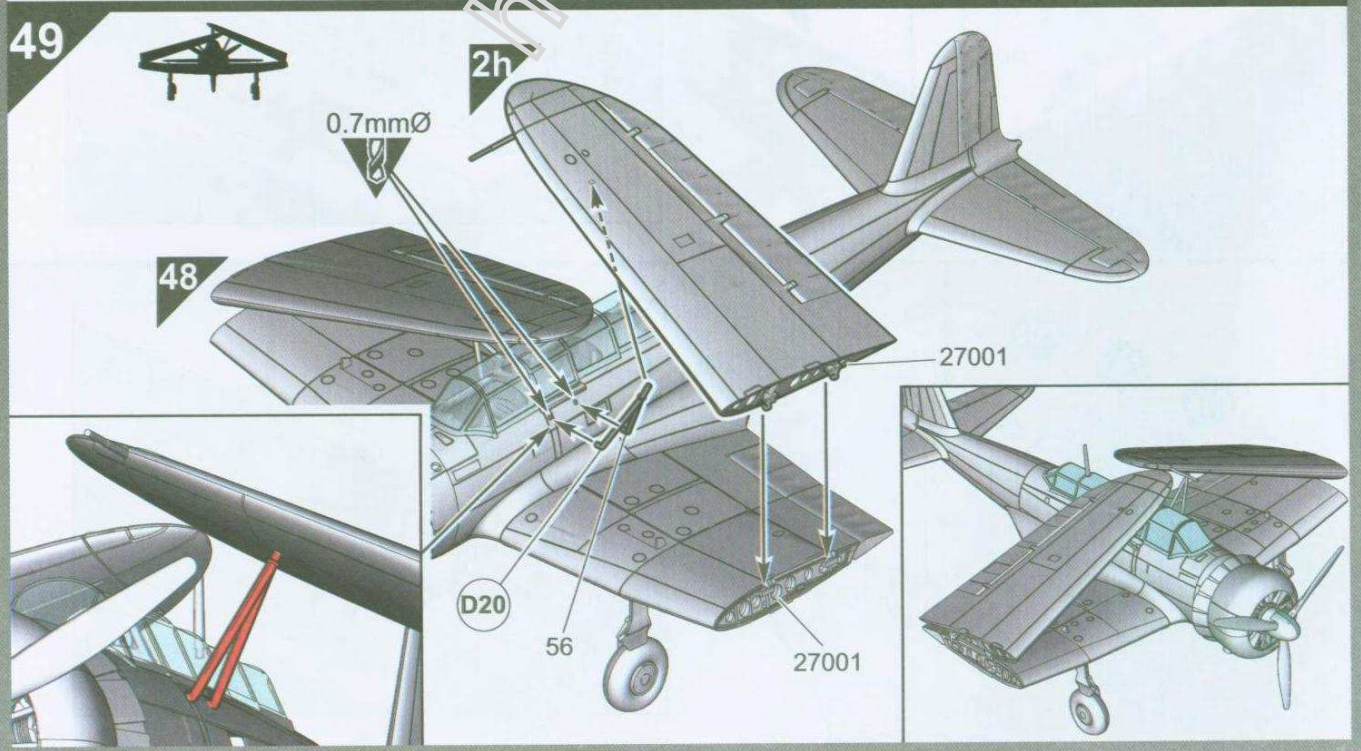
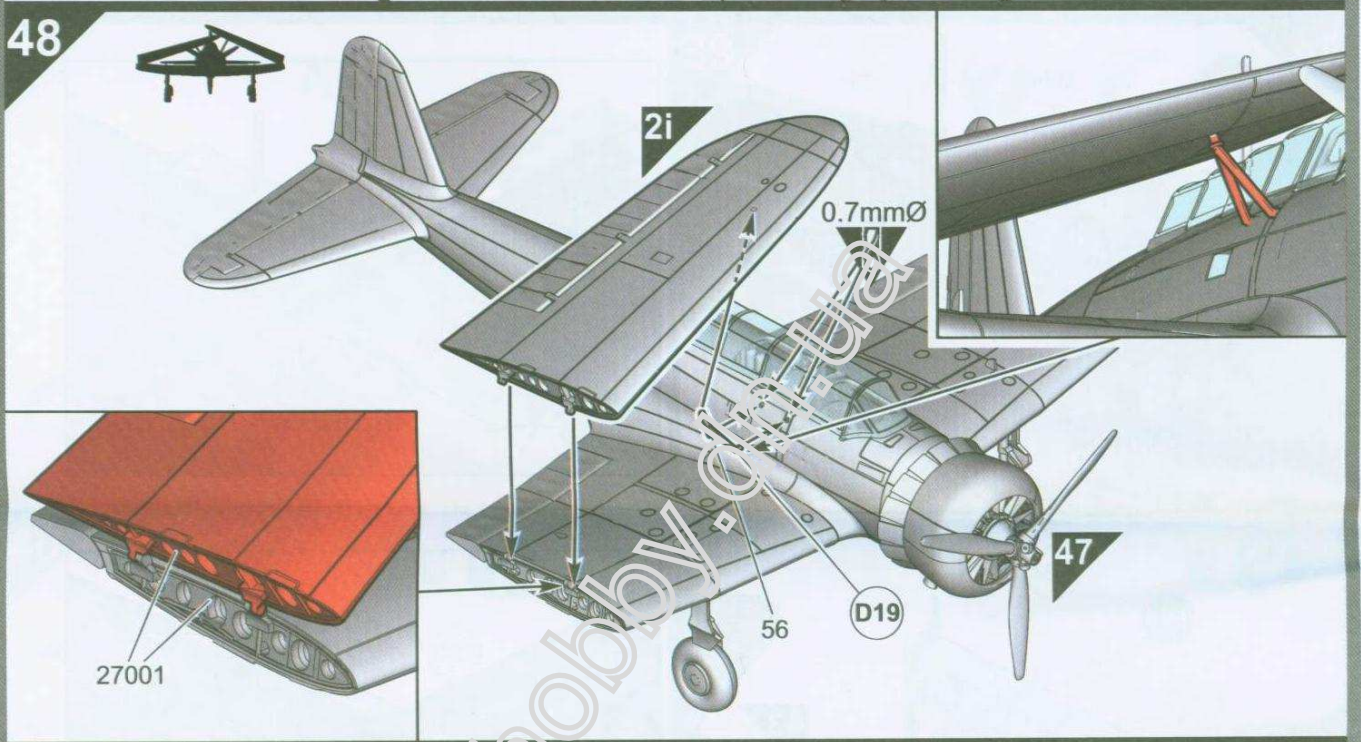
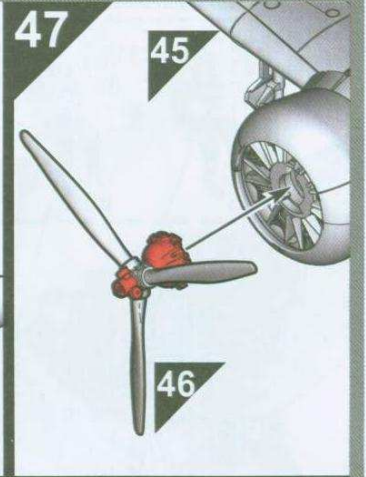
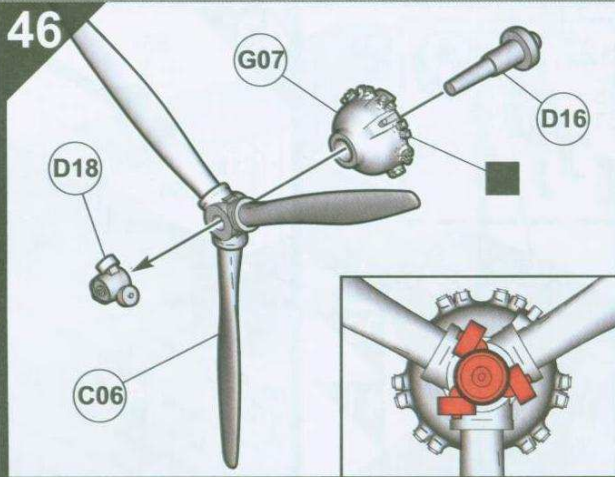
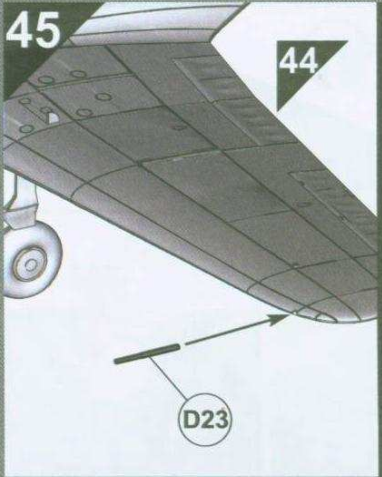


41

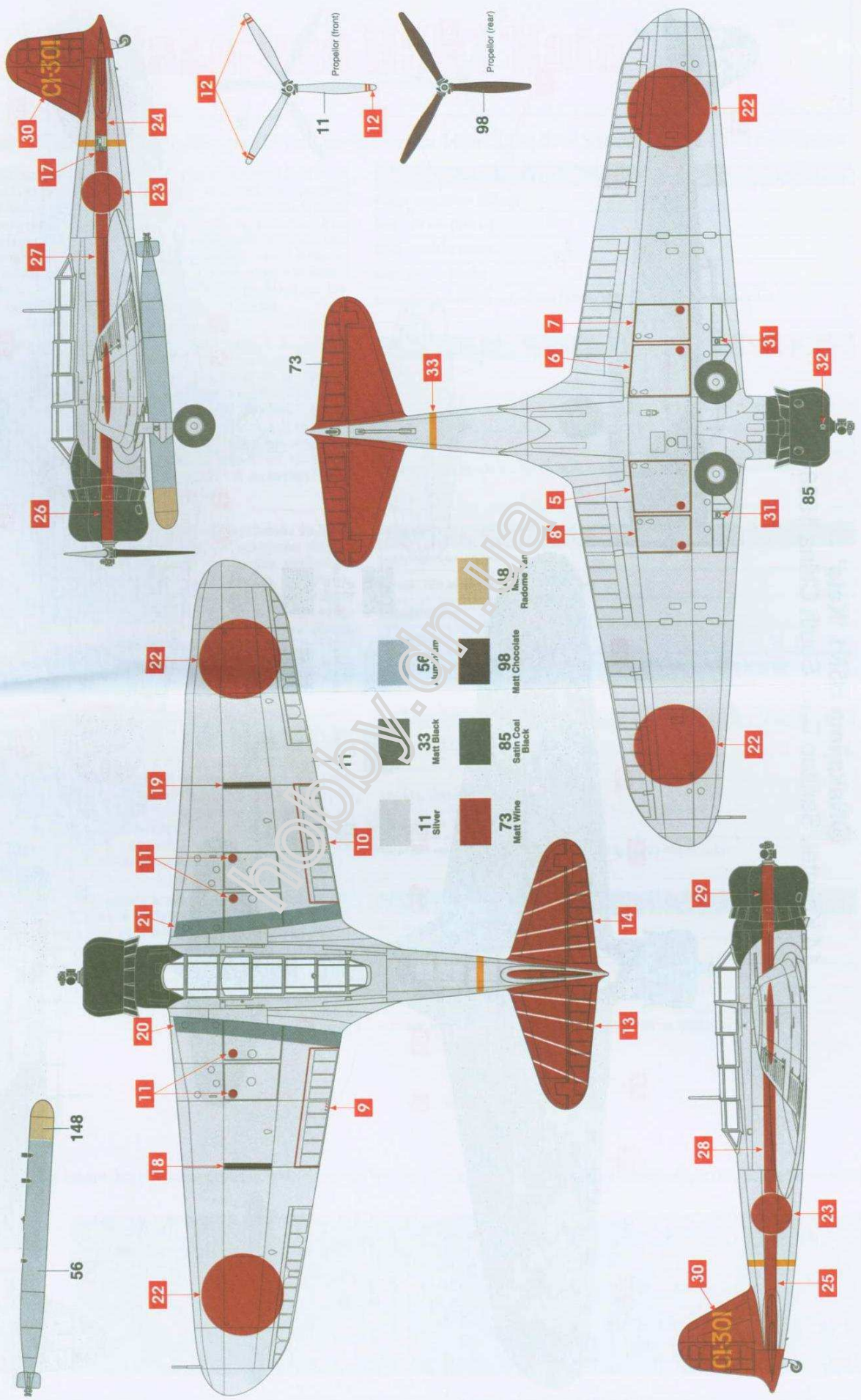
B ?



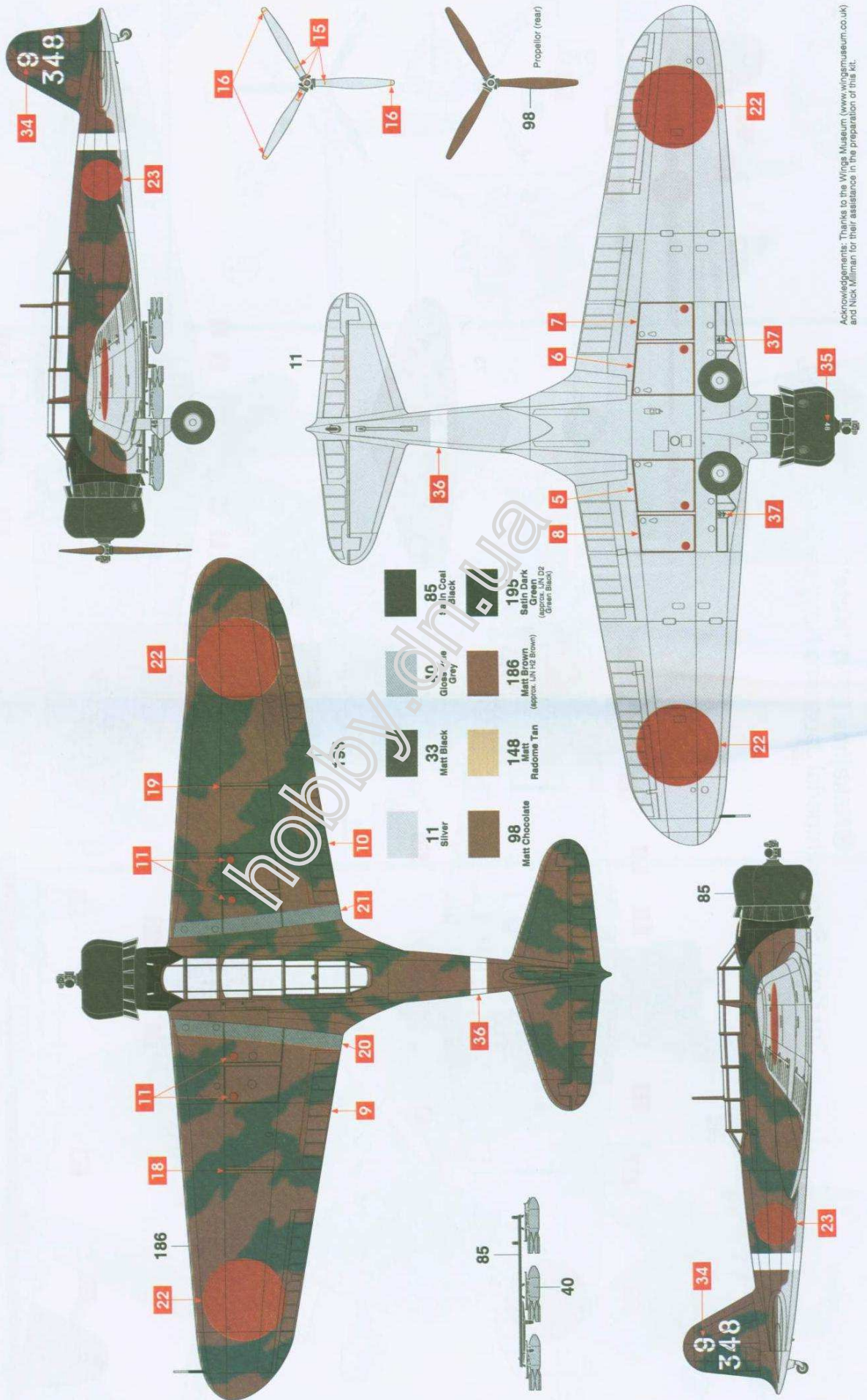




A Nakajima B5N1 'Kate'
 3rd Koku Sentai, Imperial Japanese Navy carrier Zuhoio, 1941.



B Nakajima B5N1 'Kate'
 14 Kokutai, Sanzao Dao, South China 1938-39.



Acknowledgements: Thanks to the Wings Museum (www.wingsmuseum.co.uk) and Nick Millman for their assistance in the preparation of this kit.