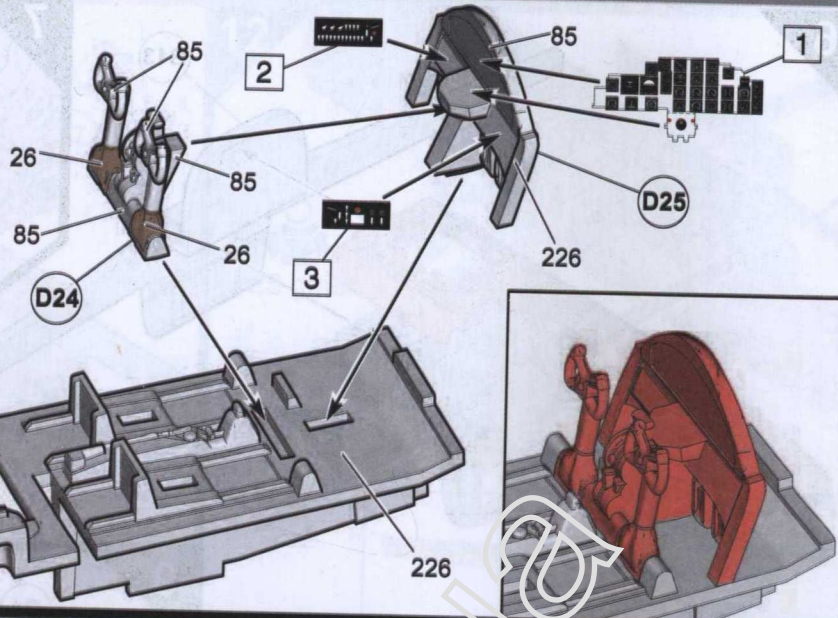
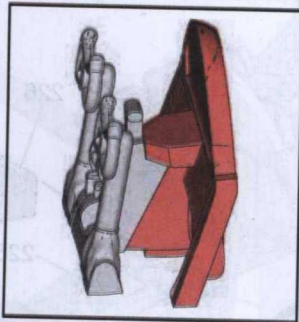
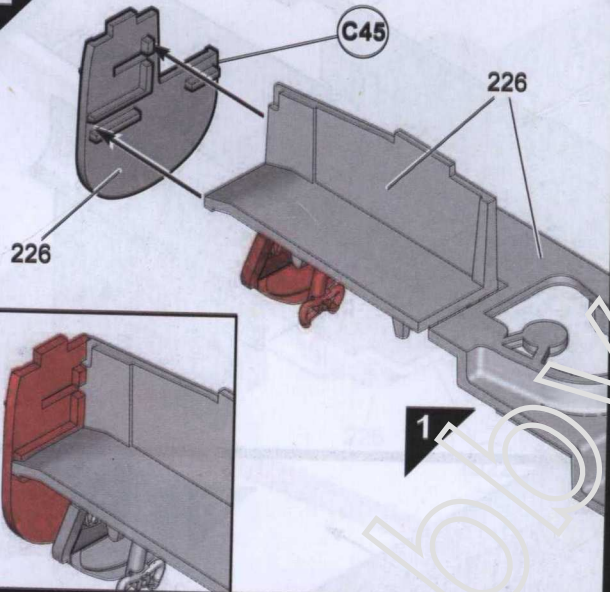


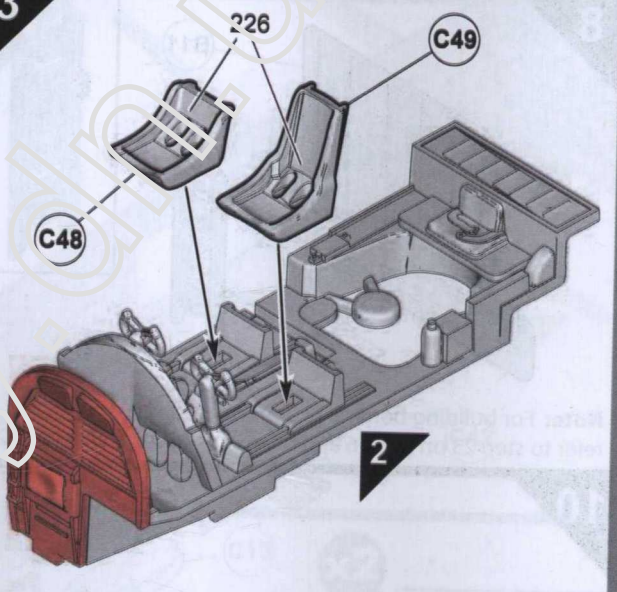
1



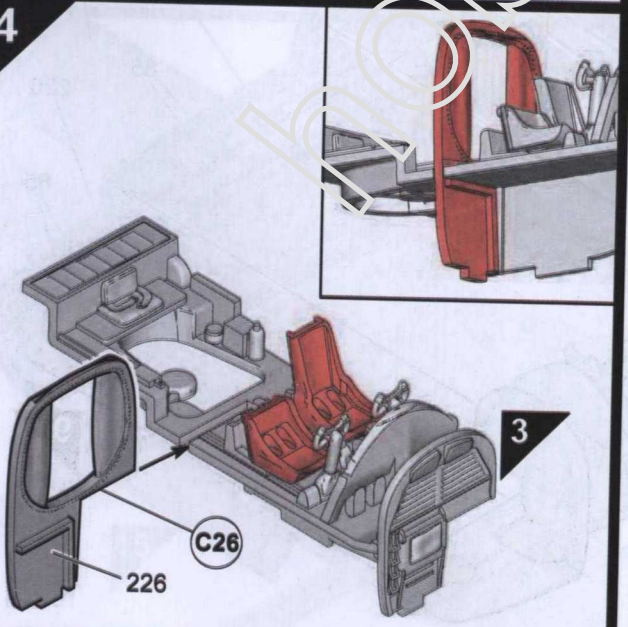
2



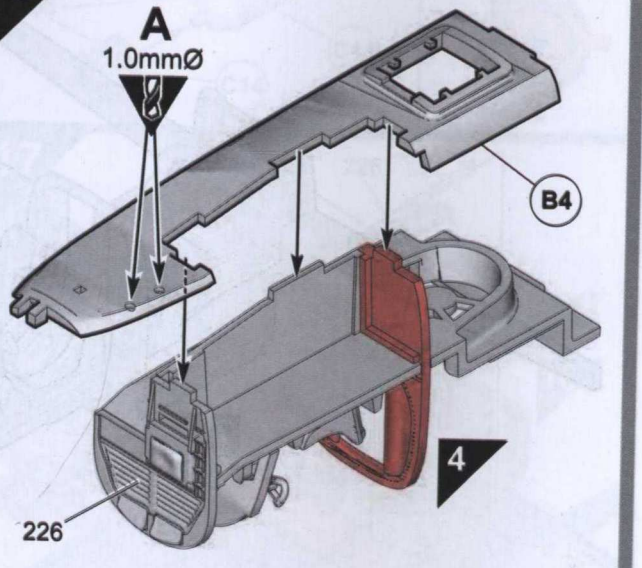
3



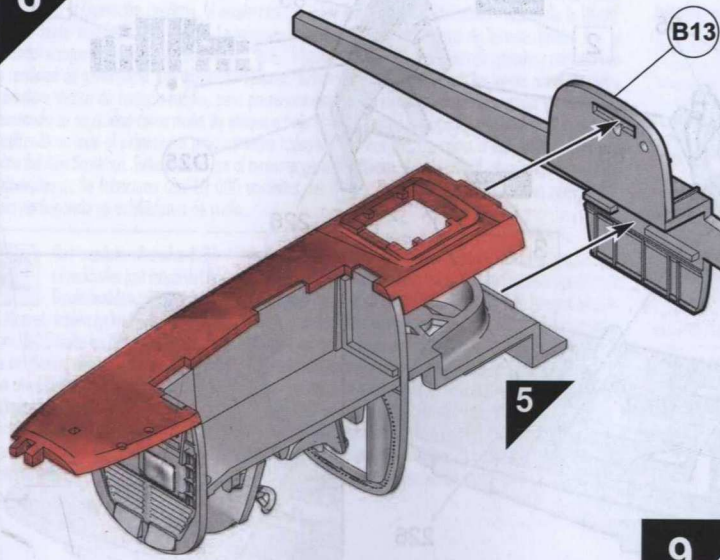
4



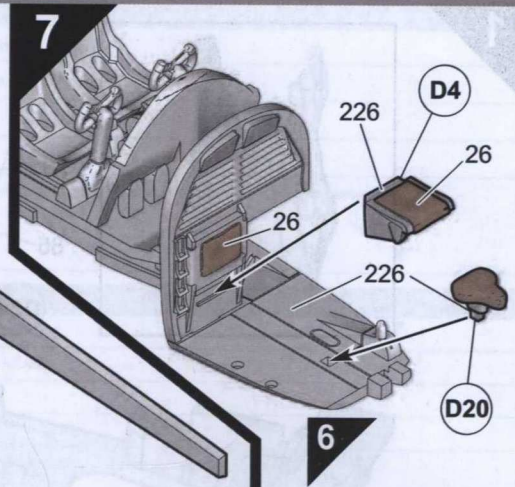
5



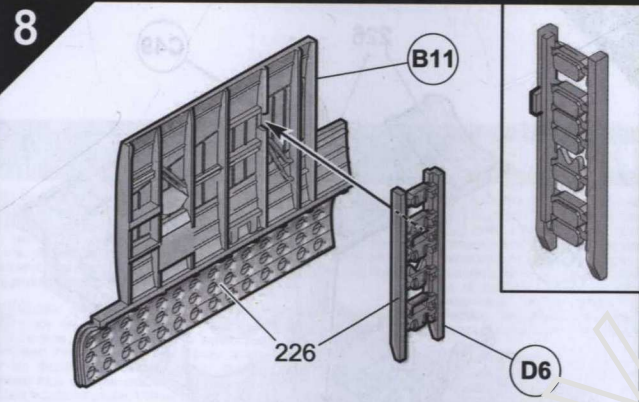
6



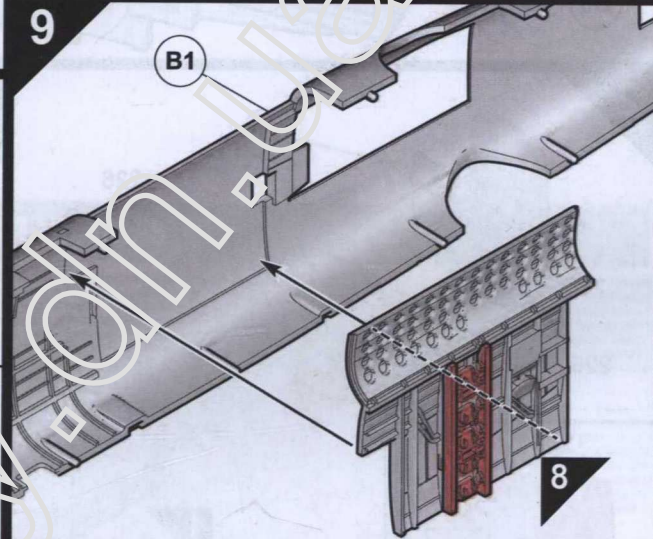
7



8

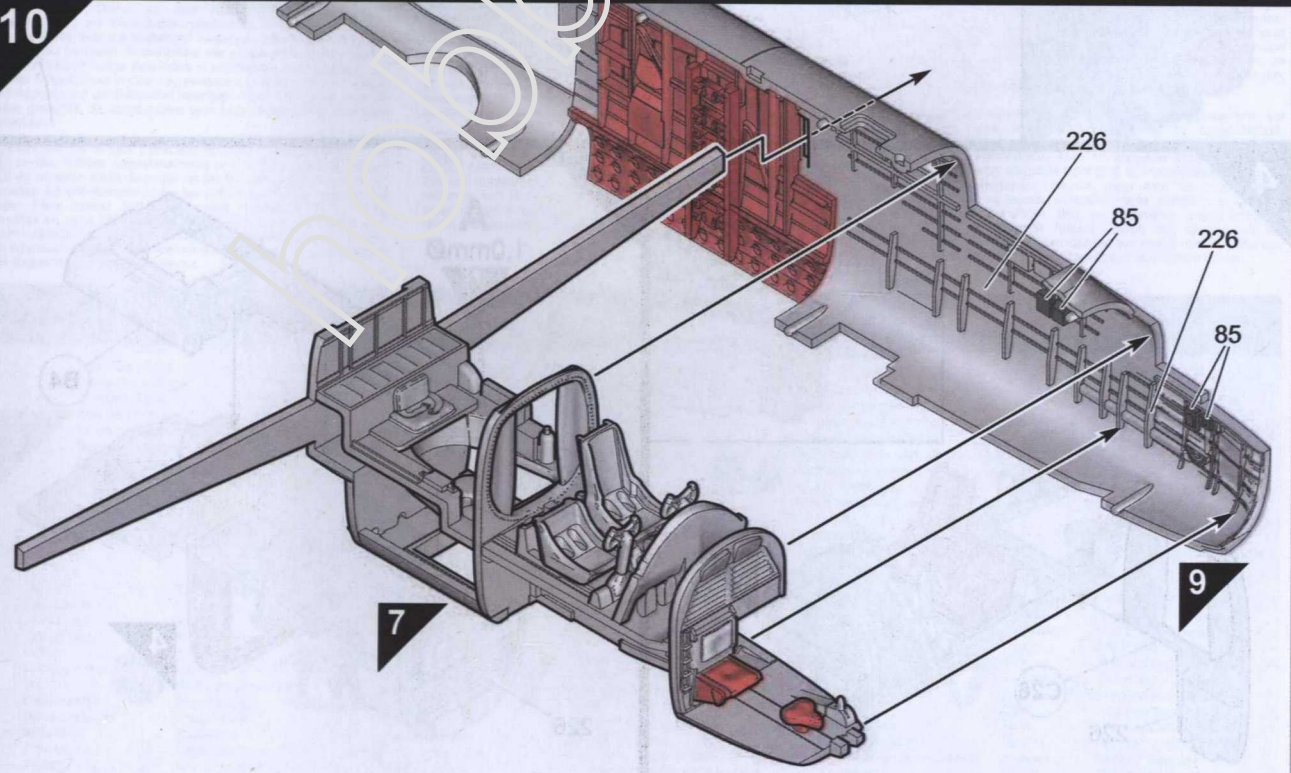


9

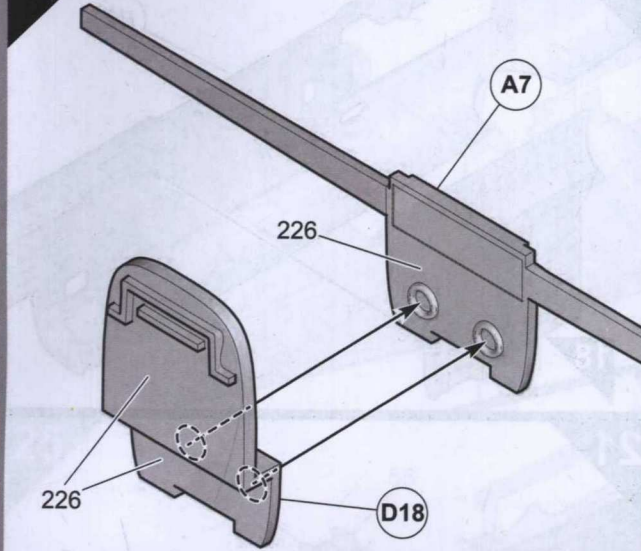


Note: For building bomb bay doors closed, refer to step 23 on page 6 and miss out steps 8, 9 and 15 to 21.

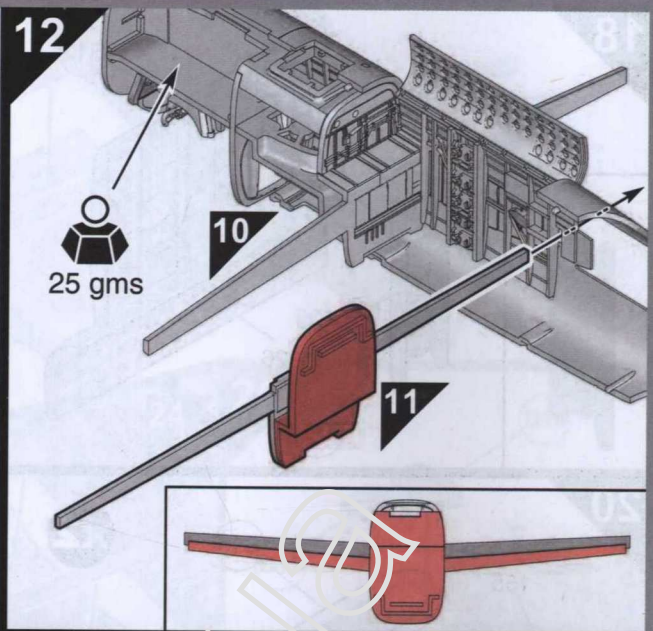
10



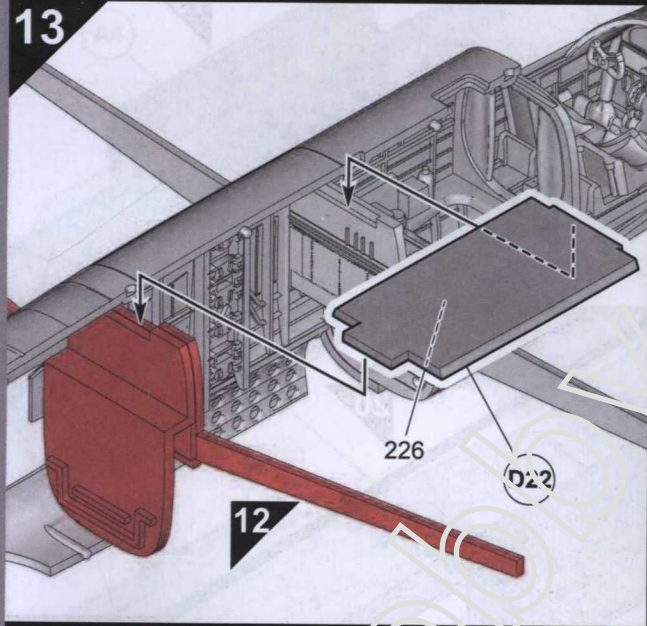
11



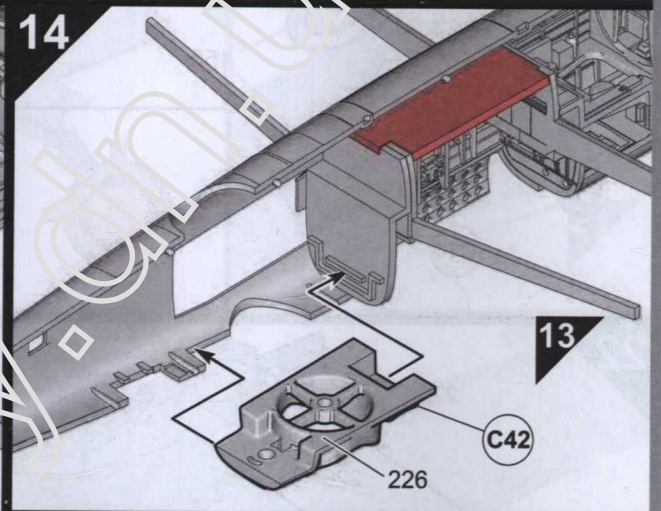
12



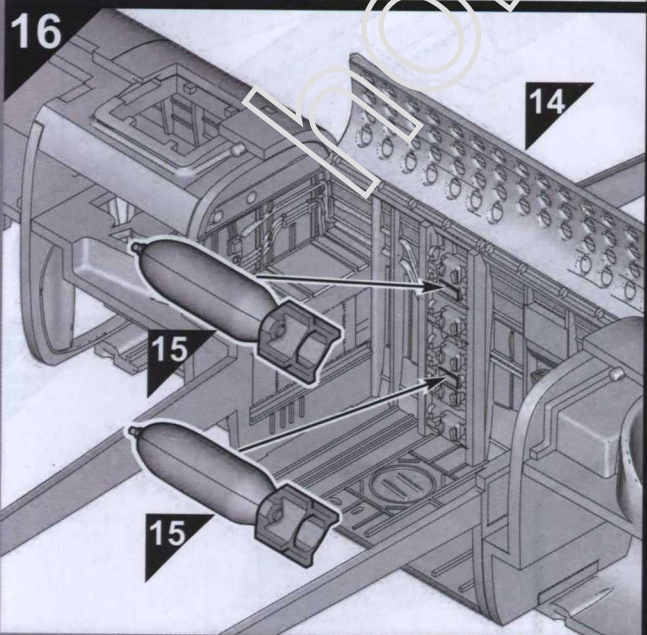
13



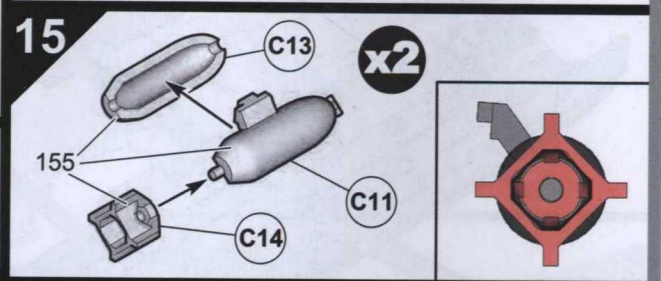
14



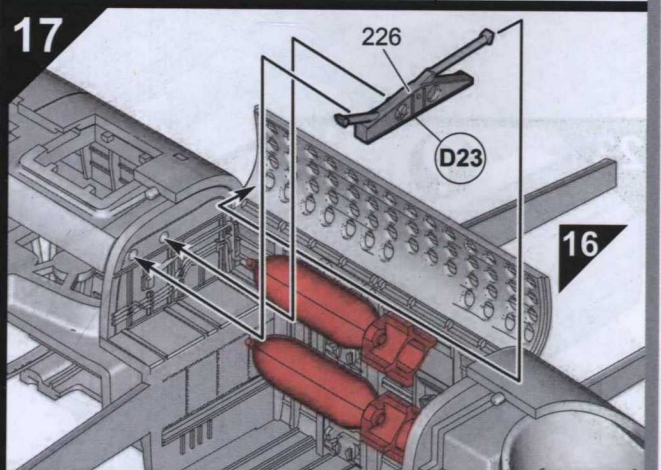
16



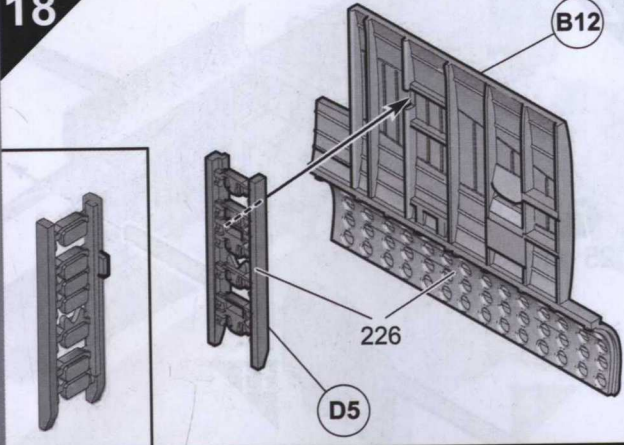
15



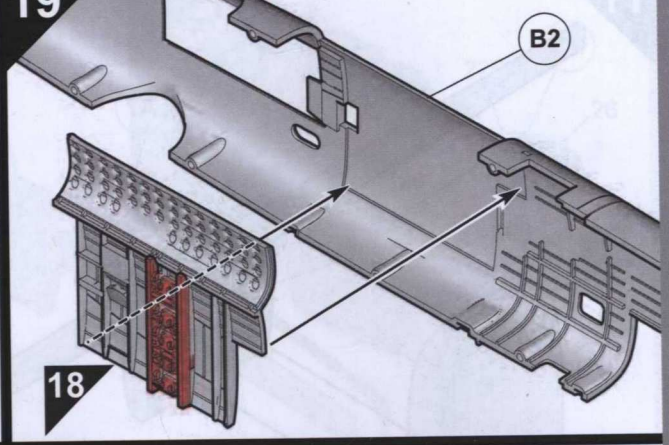
17



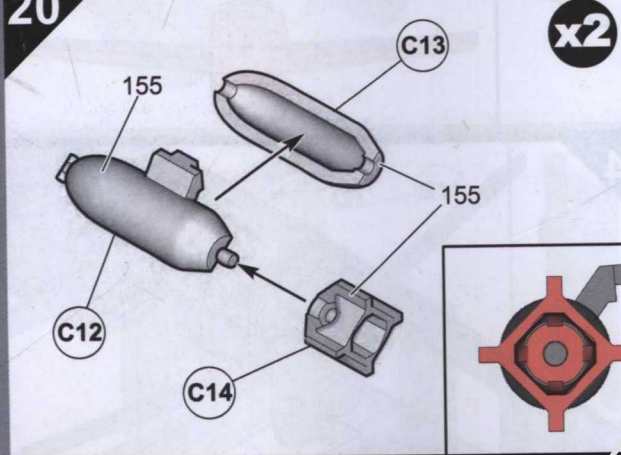
18



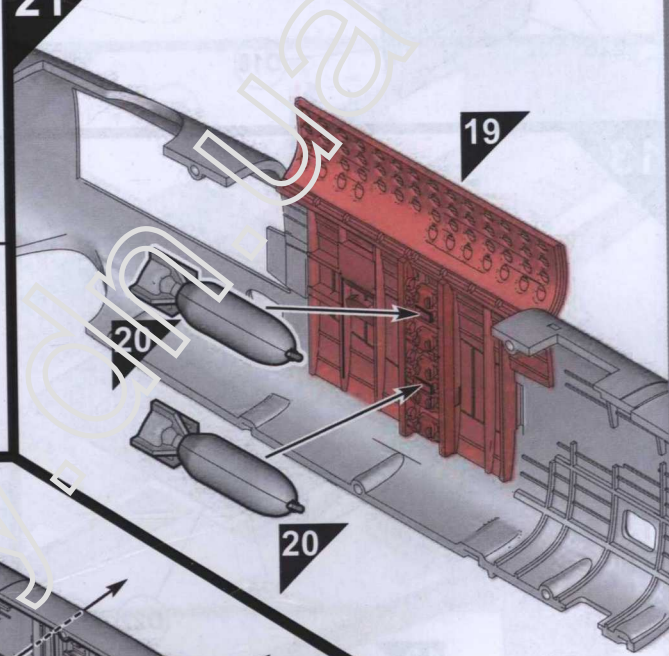
19



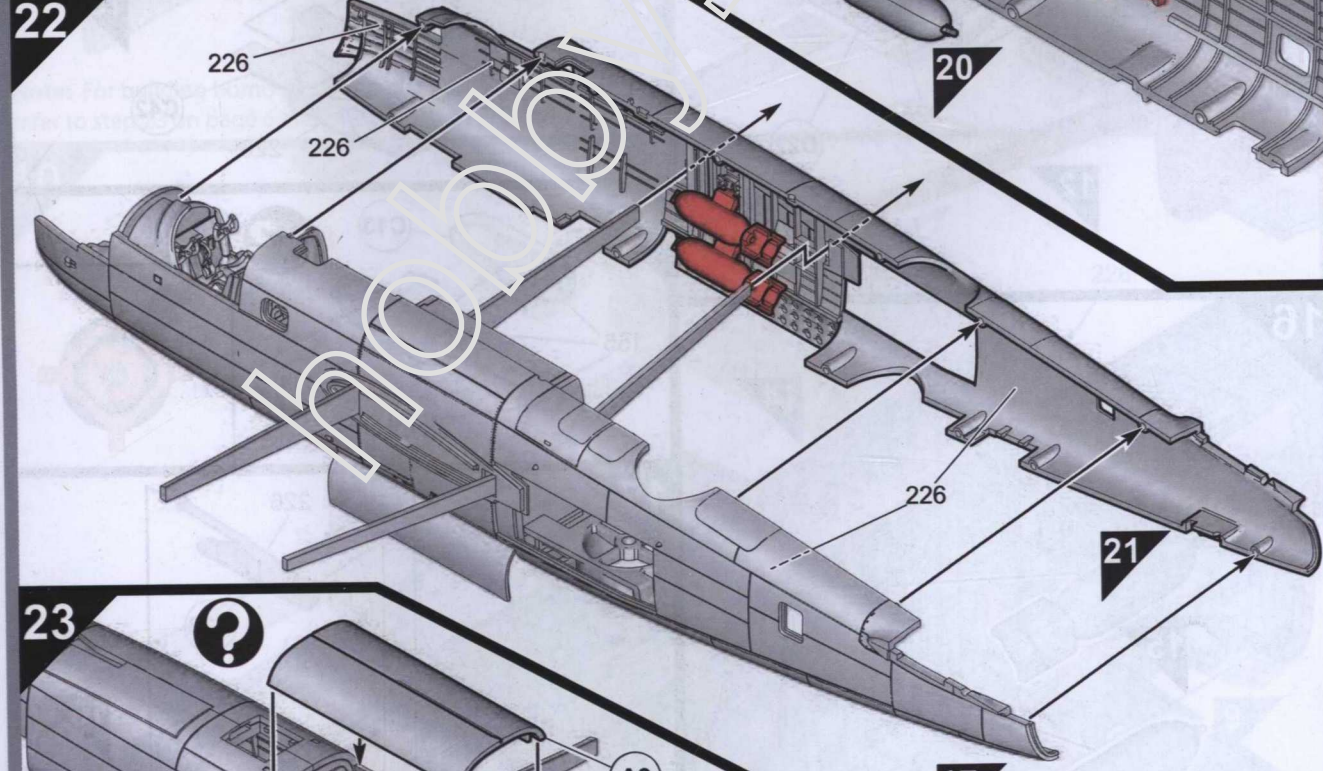
20



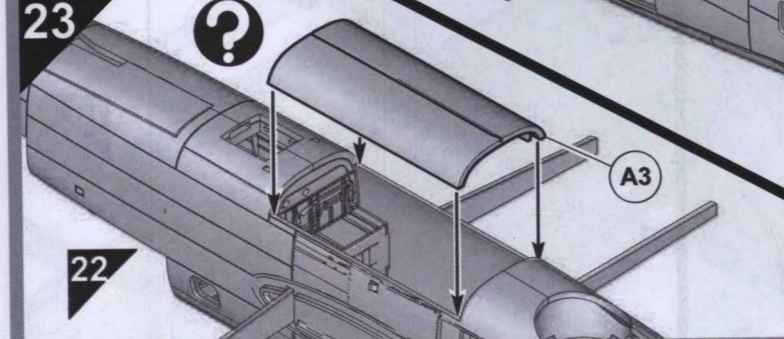
21



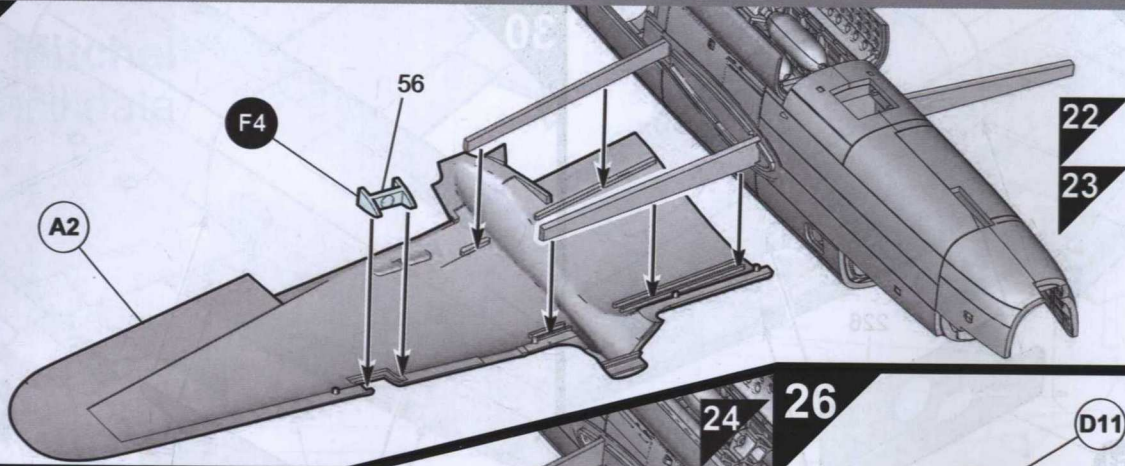
22



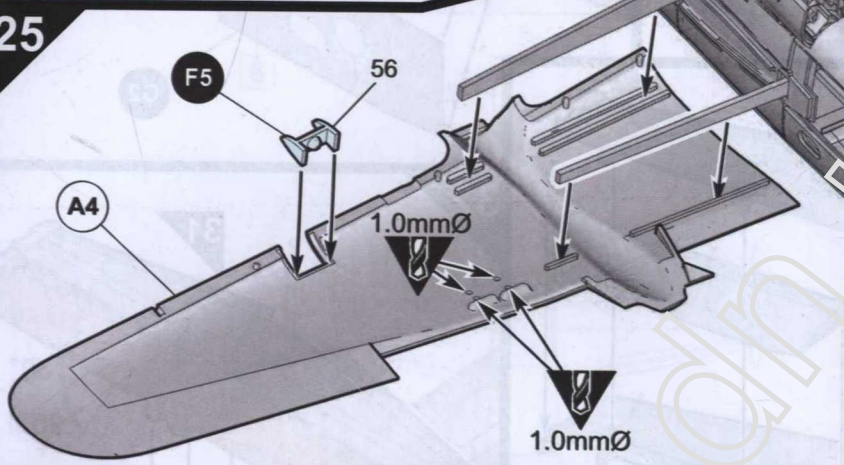
23



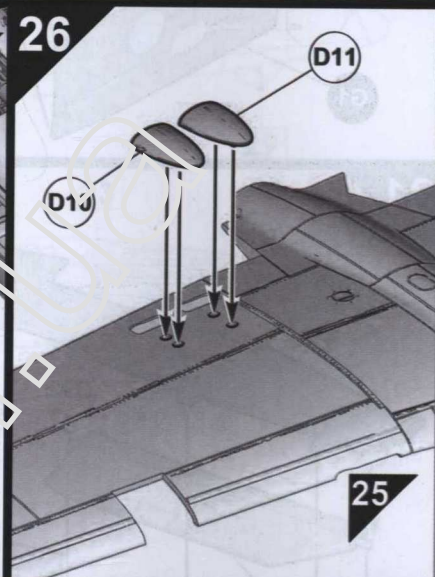
24



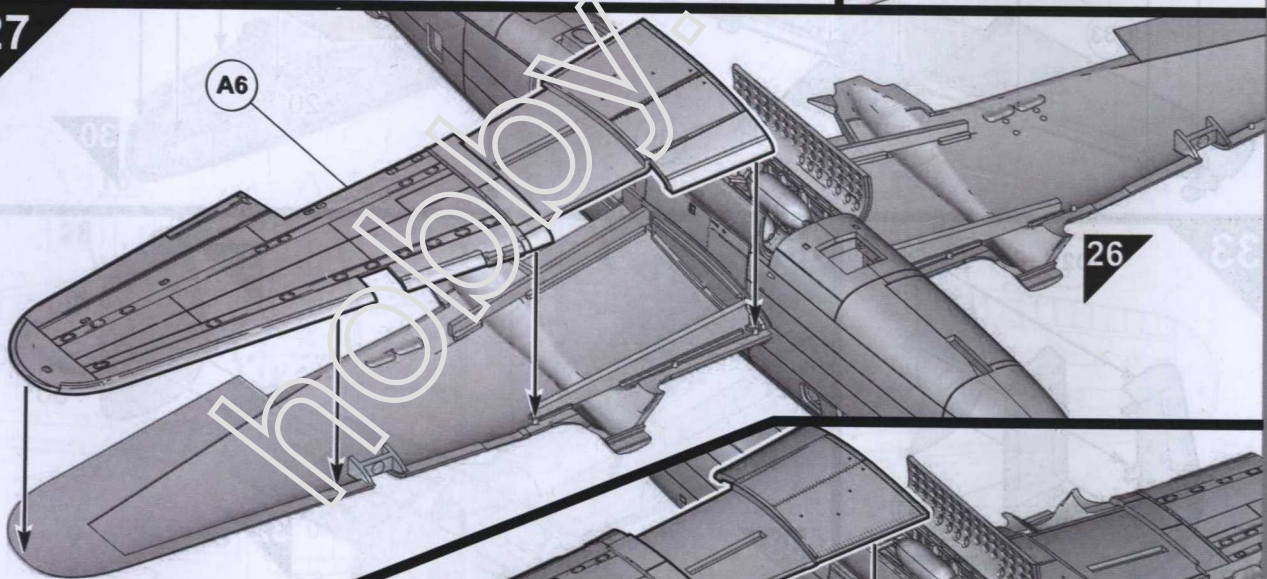
25



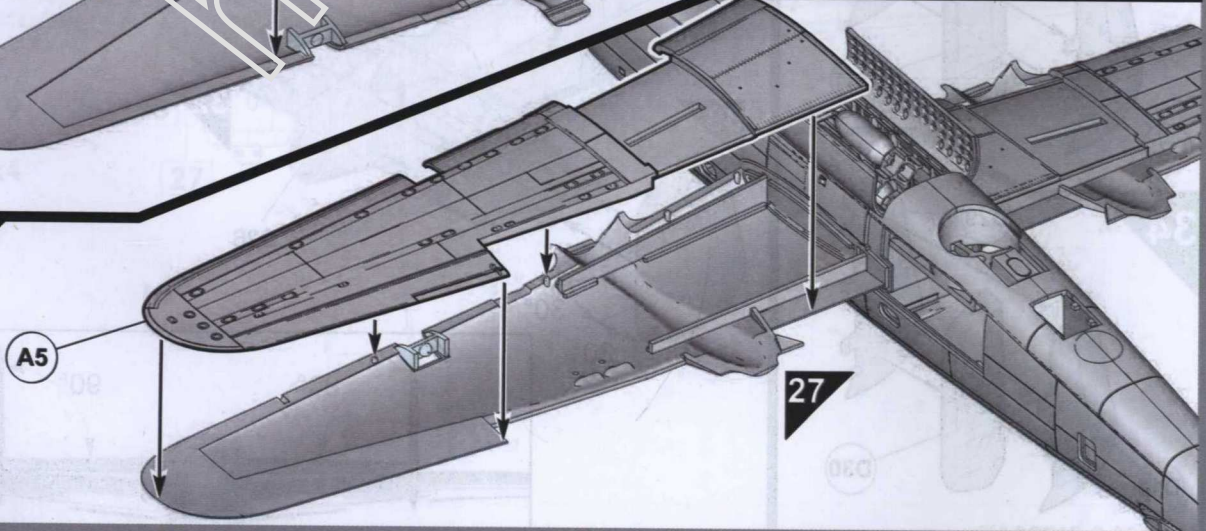
26



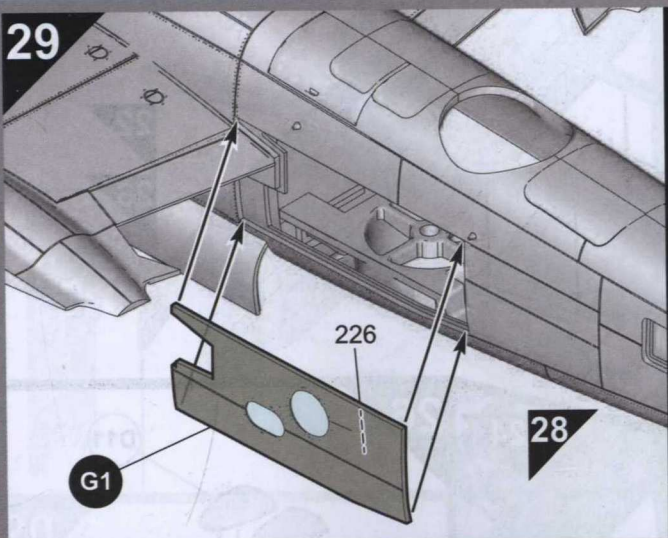
27



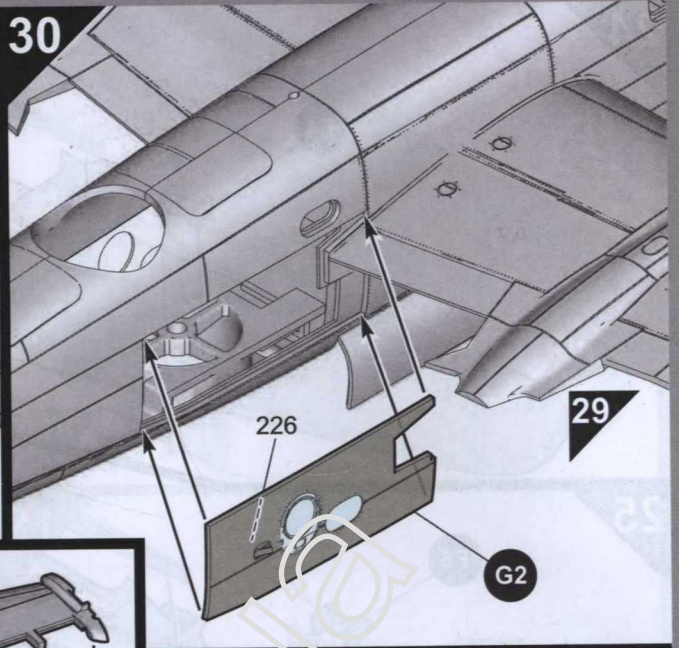
28



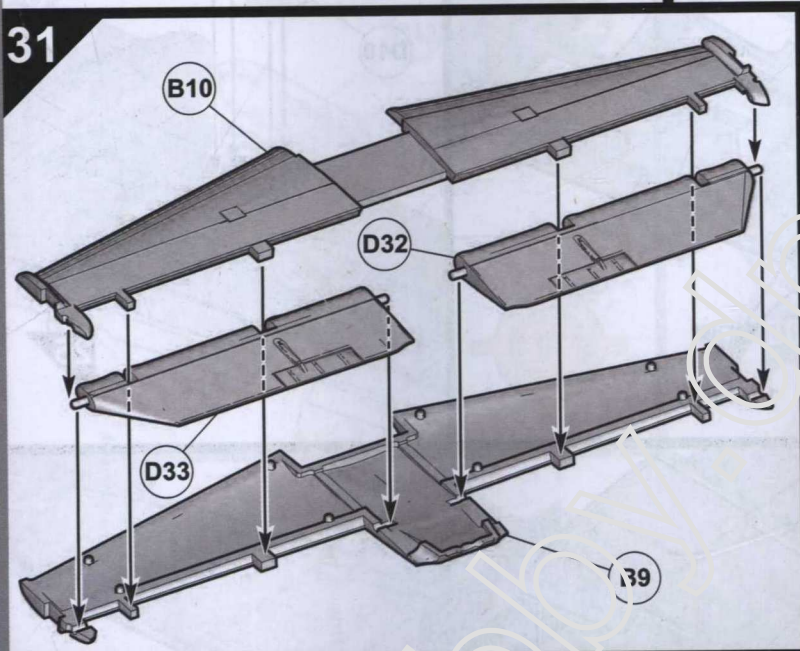
29



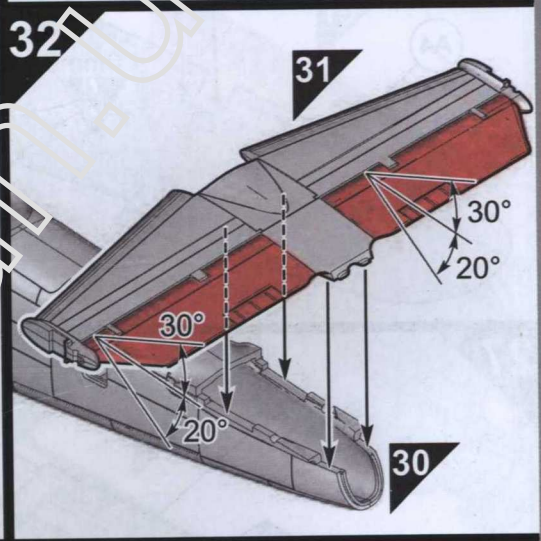
30



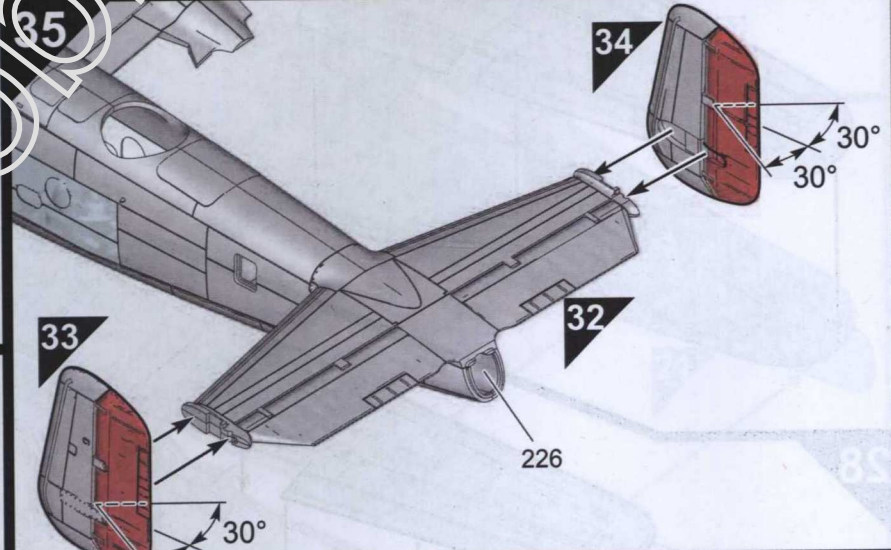
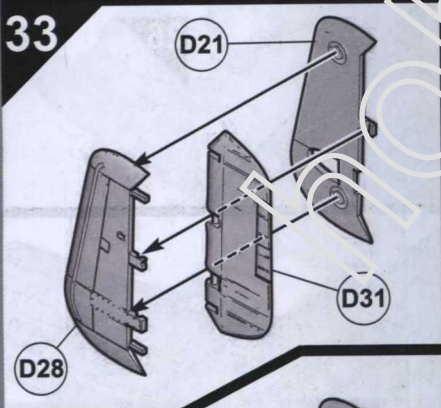
31



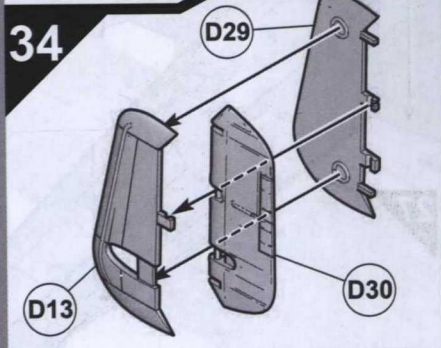
32



33

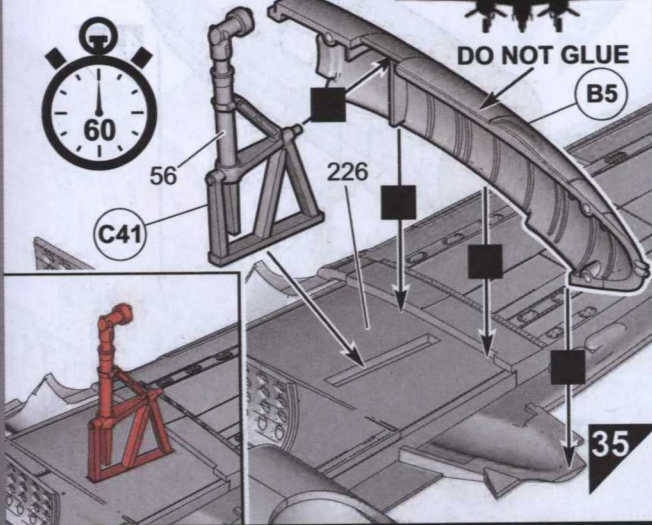


34

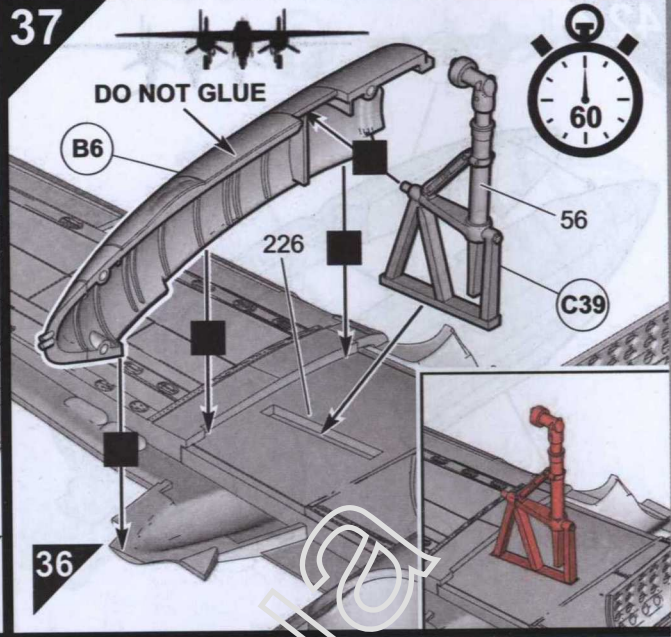


36

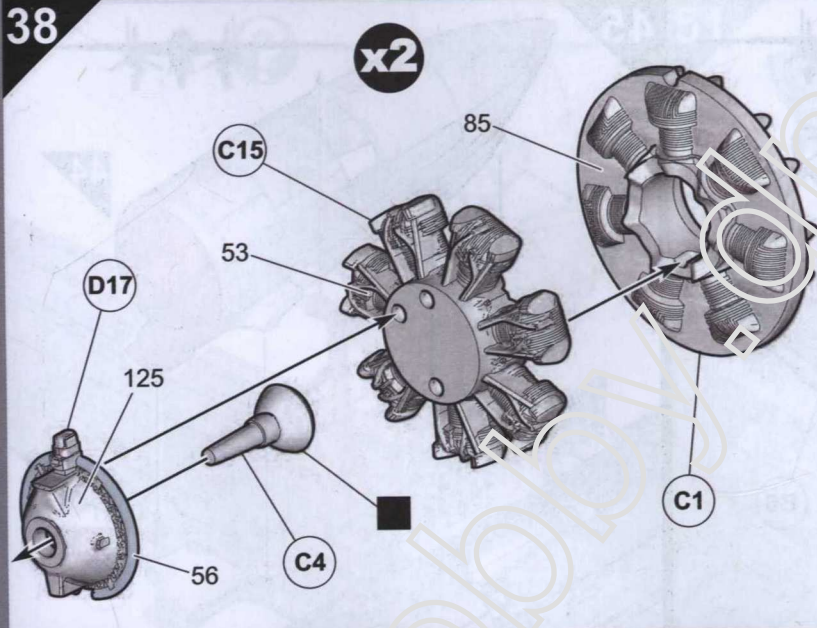
Note: For building undercarriage down, follow Steps 36, 37 & Steps 42 to 45. For building undercarriage up, miss out steps 36, 37 & Steps 42 to 45 and build steps 46 to 51.



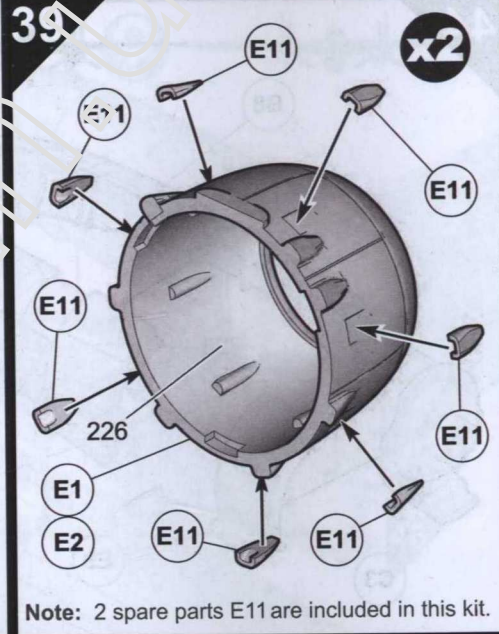
37



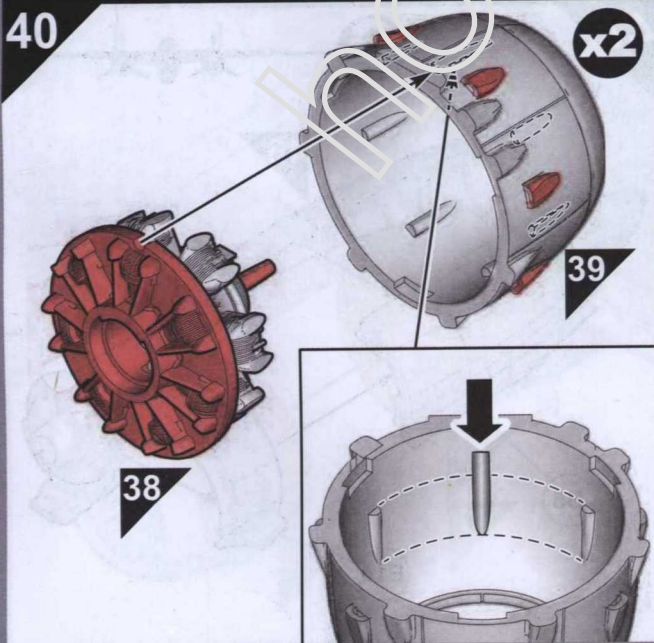
38



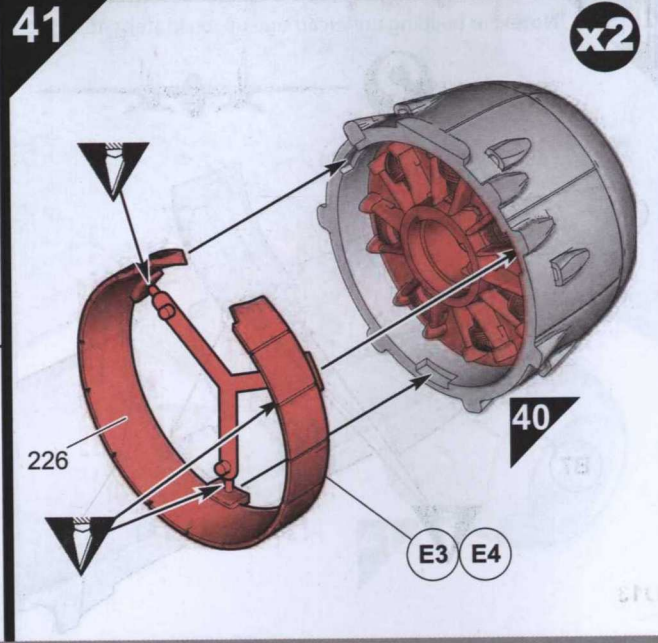
39



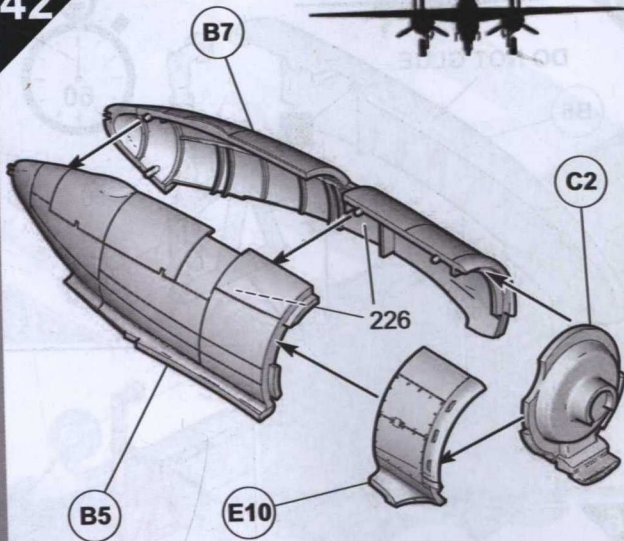
40



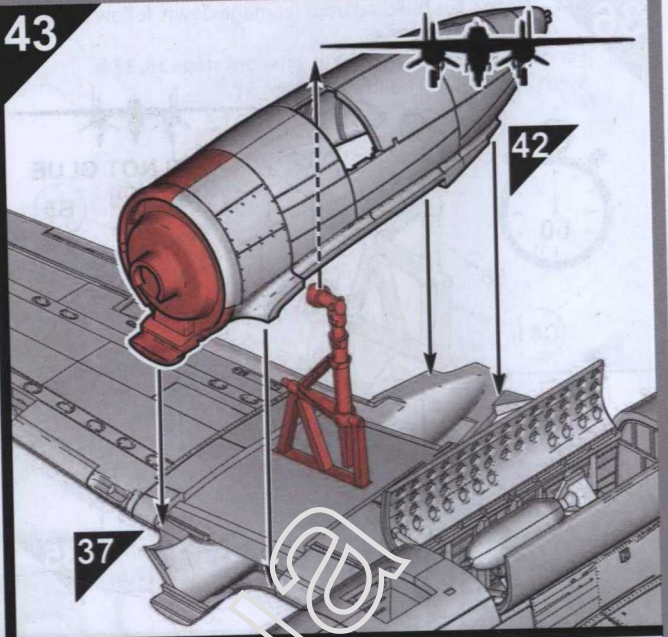
41



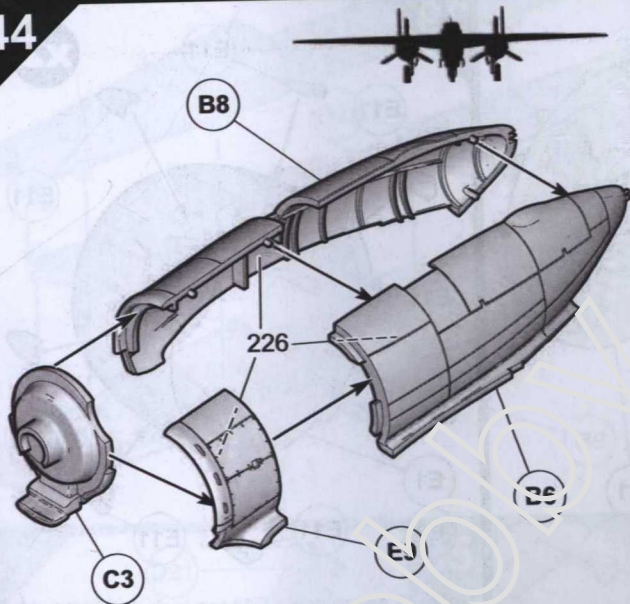
42



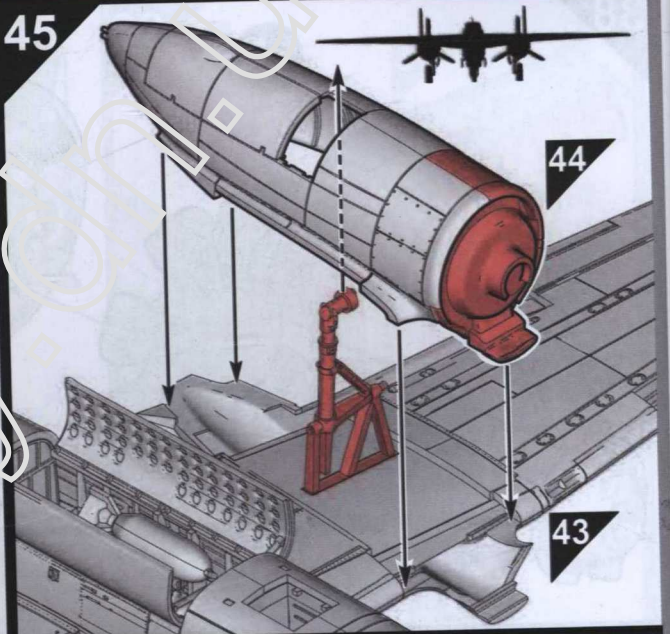
43



44

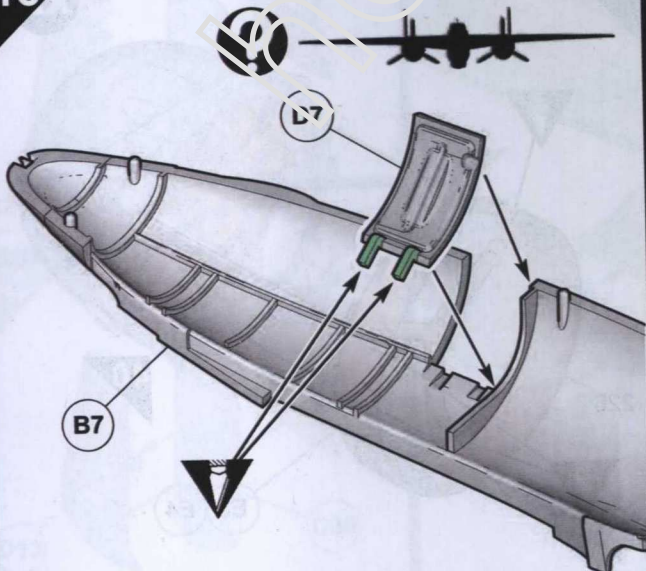


45

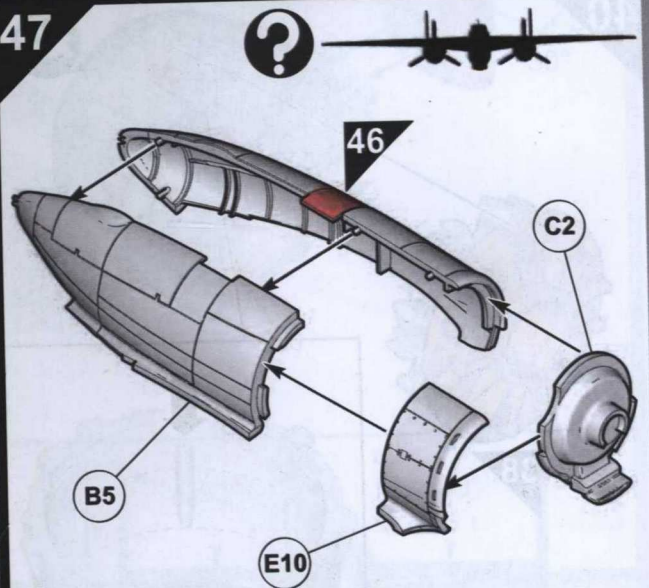


46

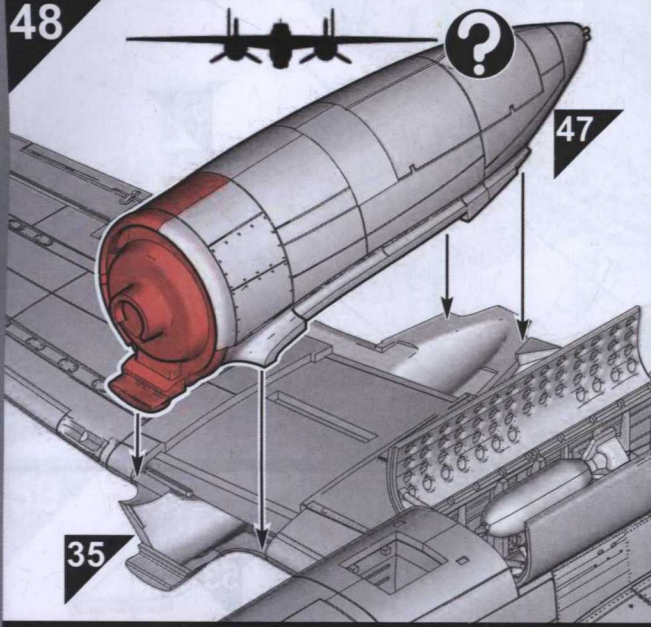
Note: For building under carriage up build steps 46 to 51.



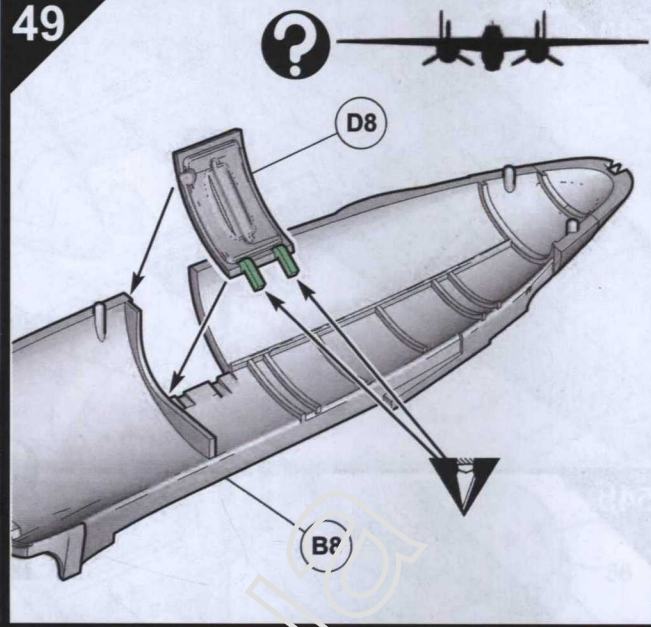
47



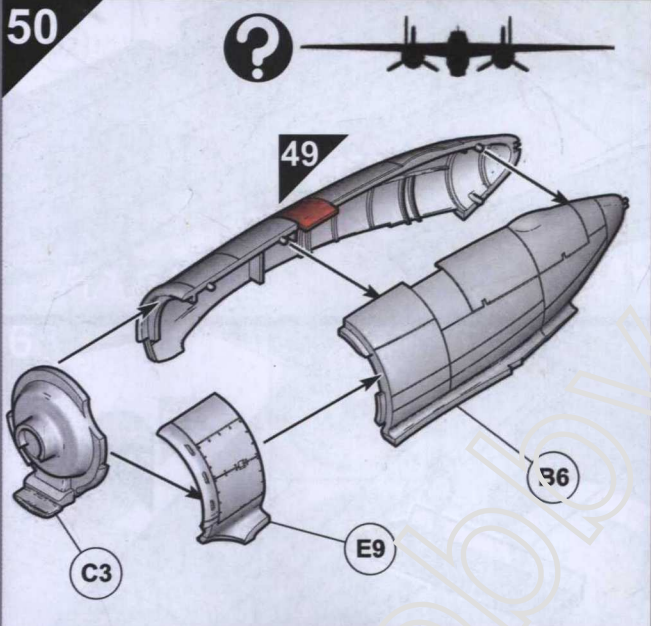
48



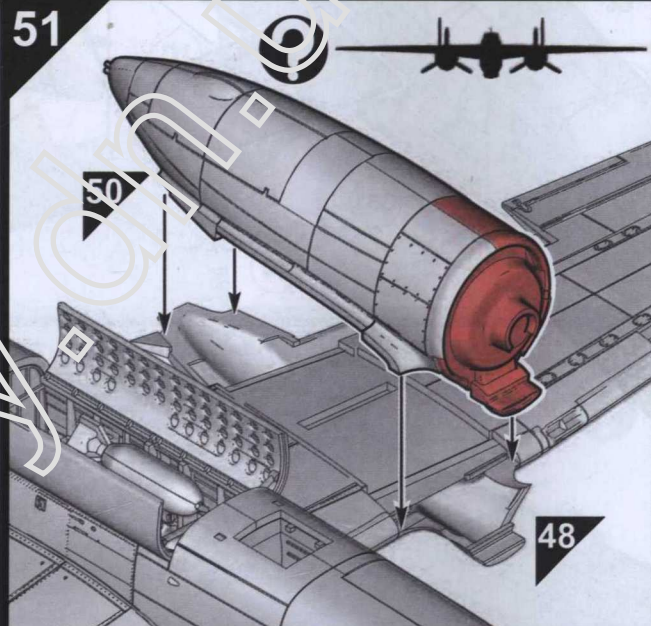
49



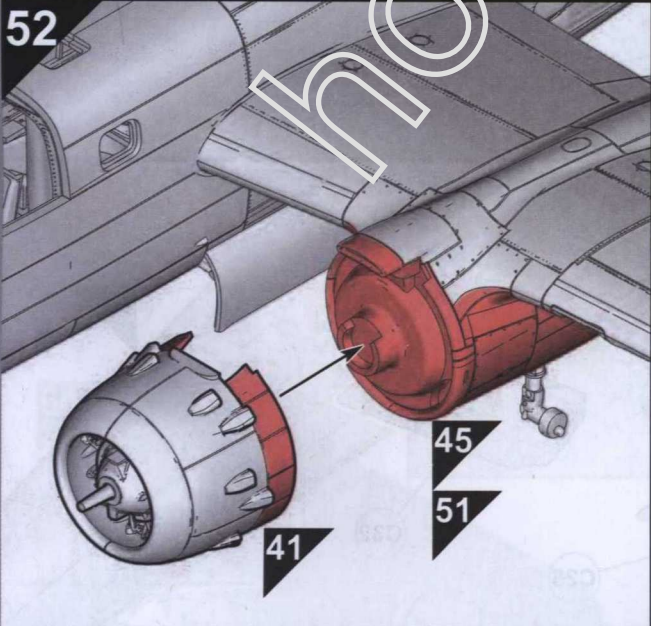
50



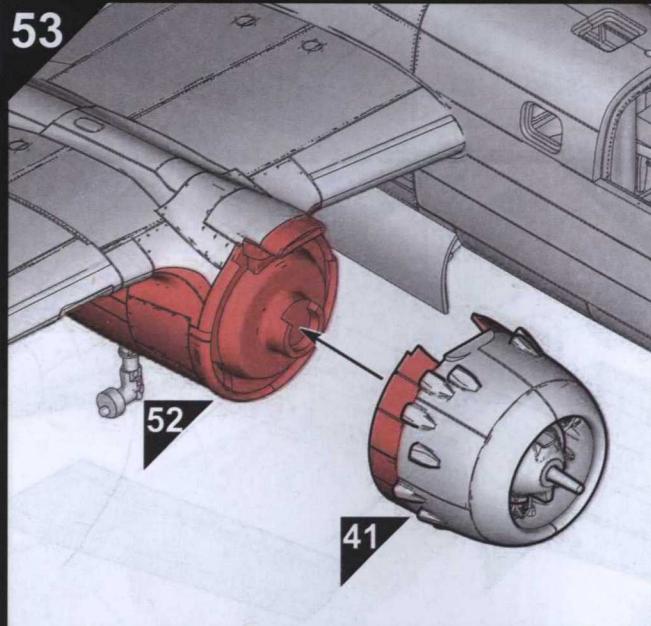
51



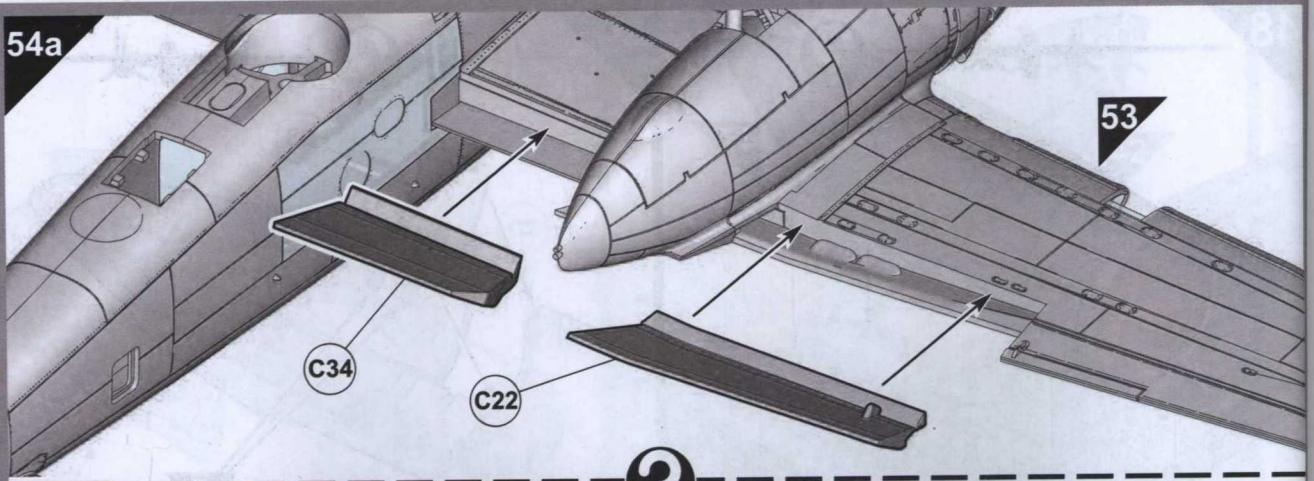
52



53



54a



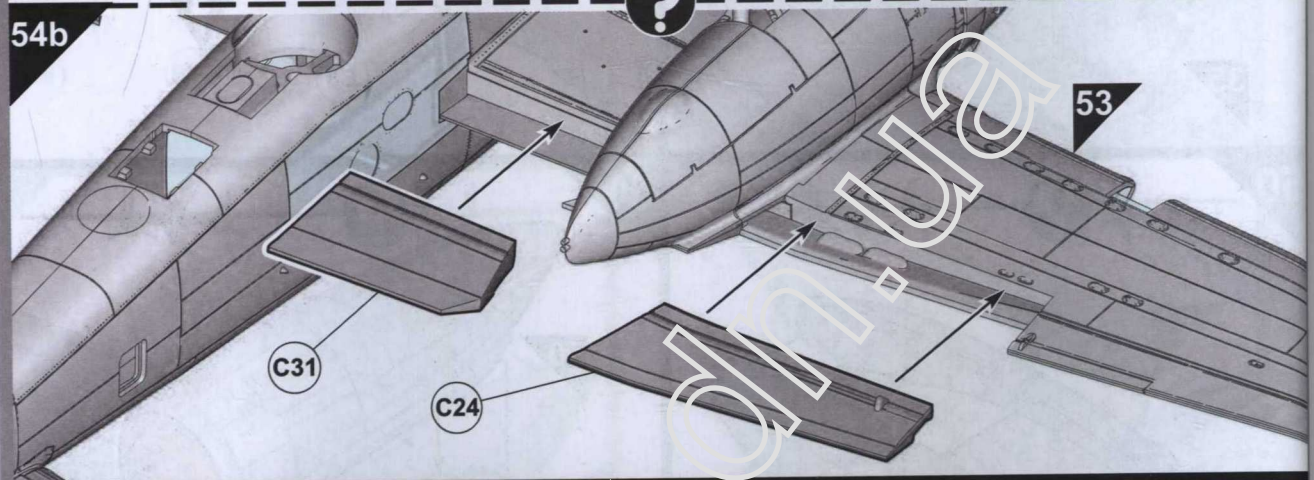
53

C34

C22



54b

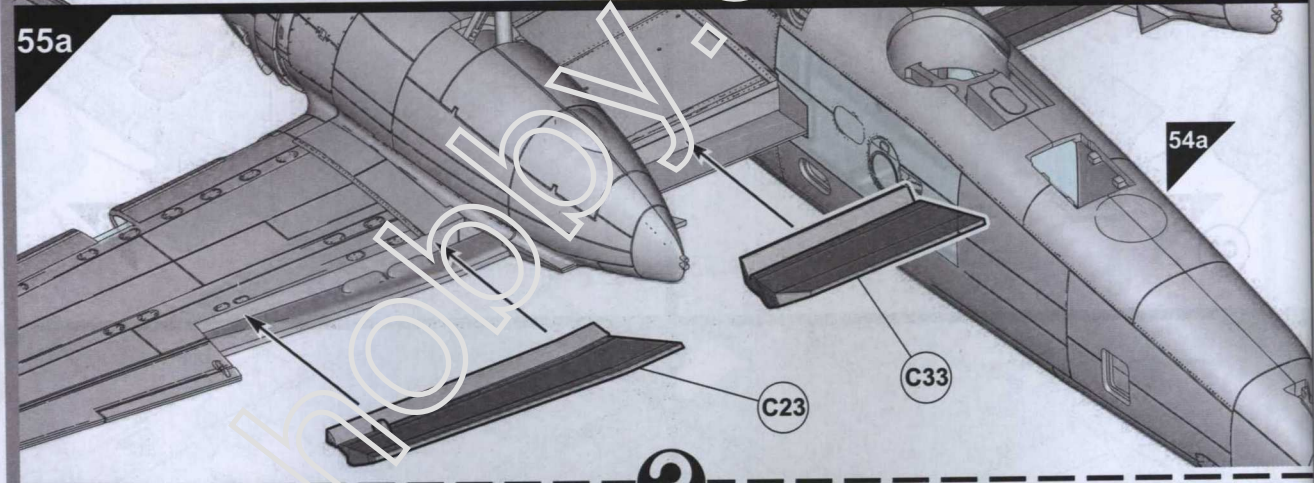


53

C31

C24

55a



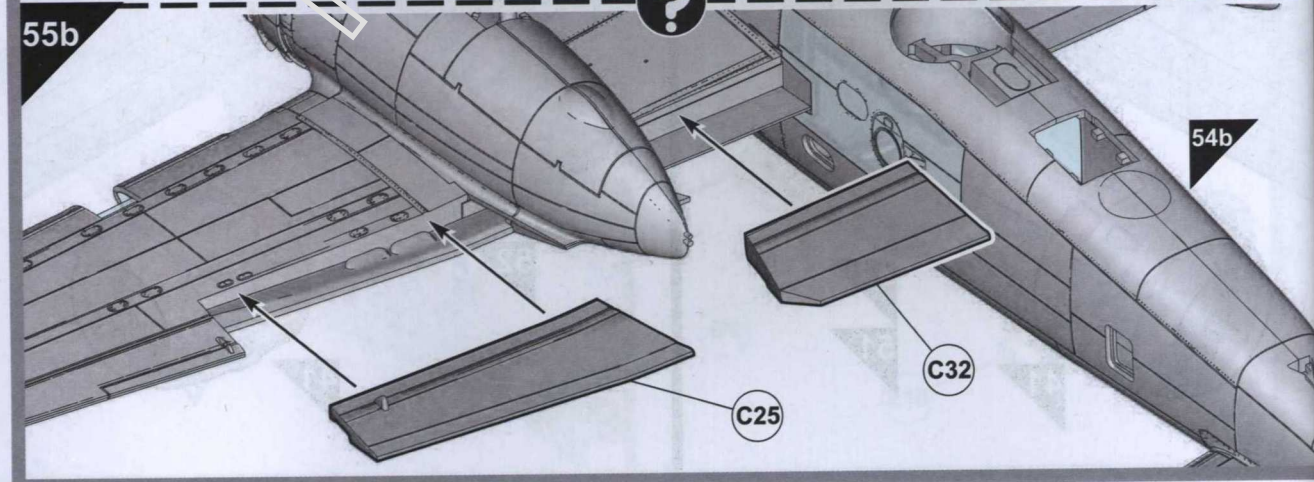
54a

C23

C33



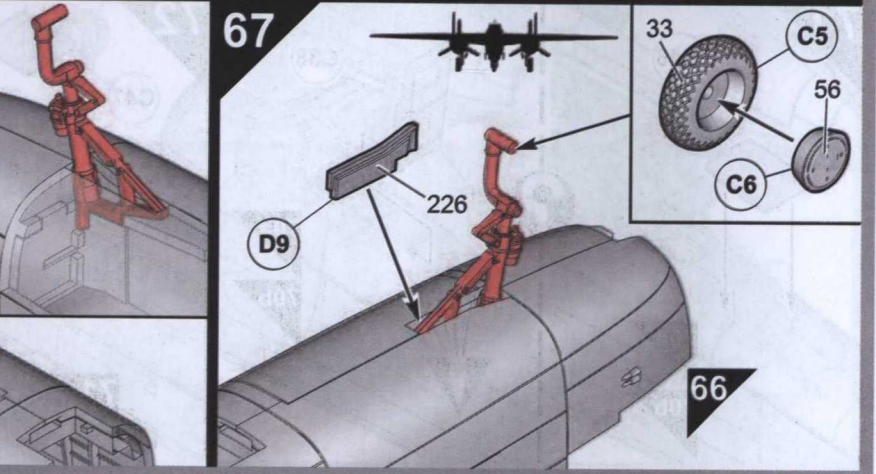
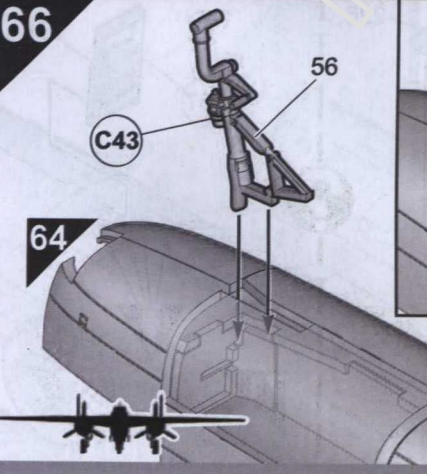
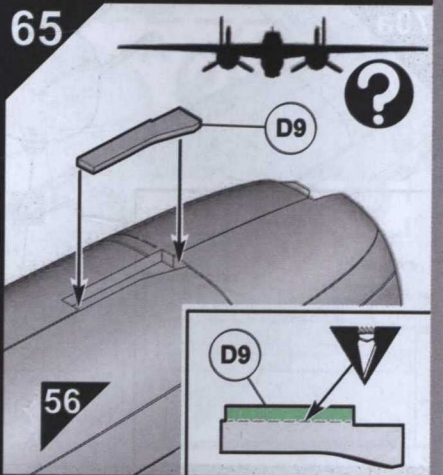
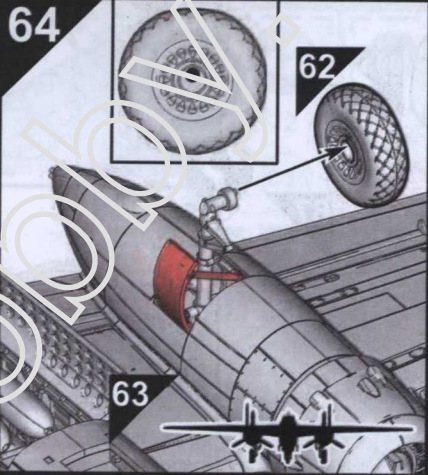
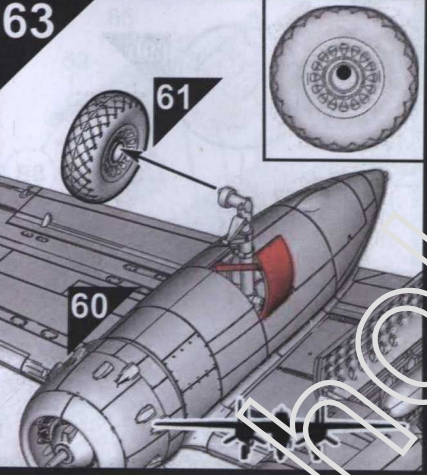
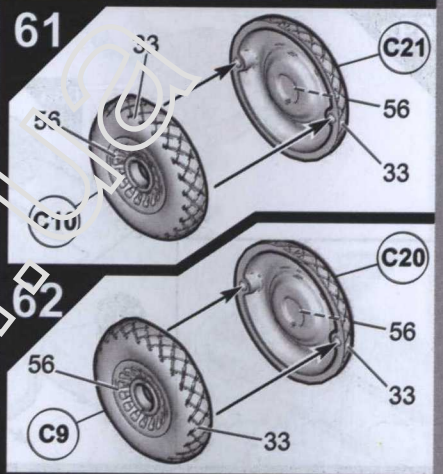
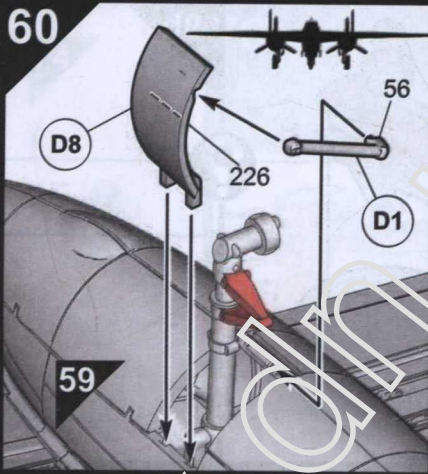
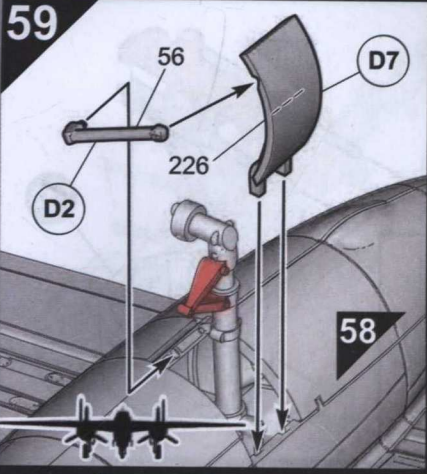
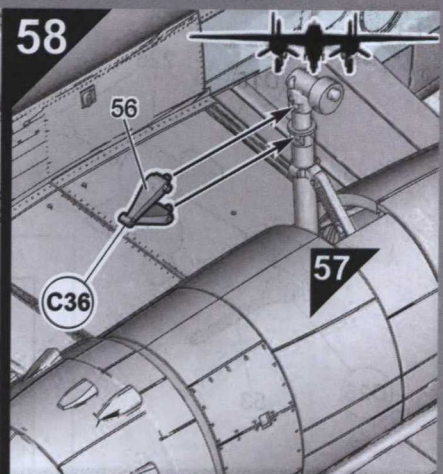
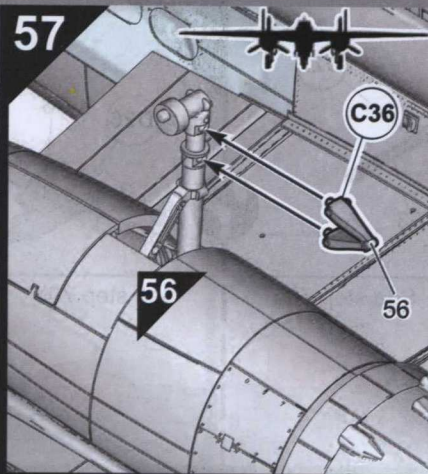
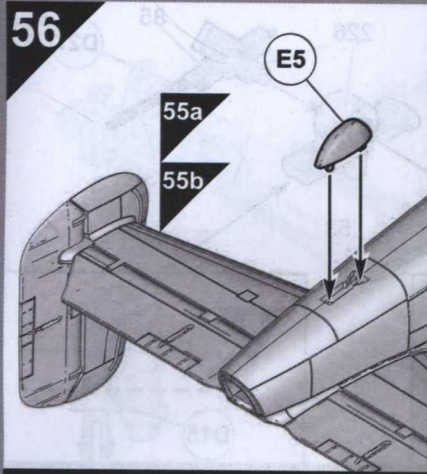
55b



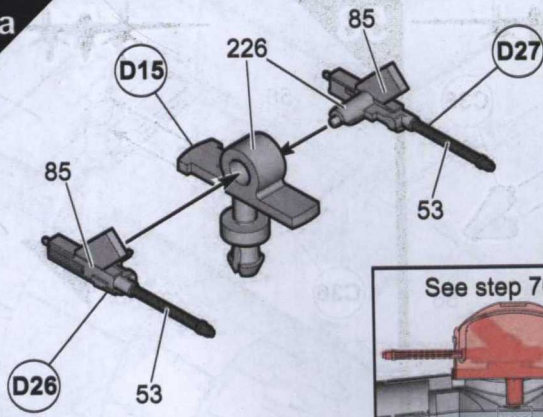
54b

C25

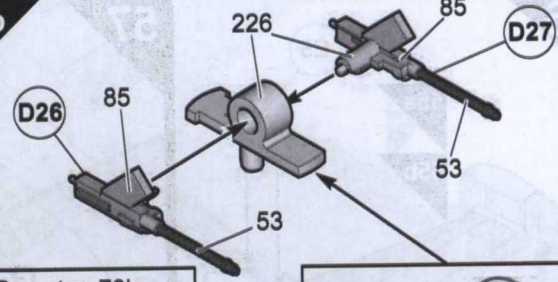
C32



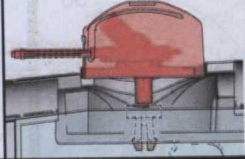
68a



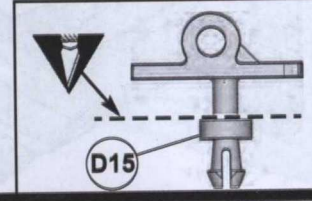
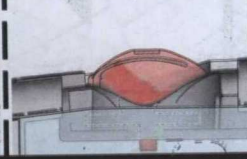
68b



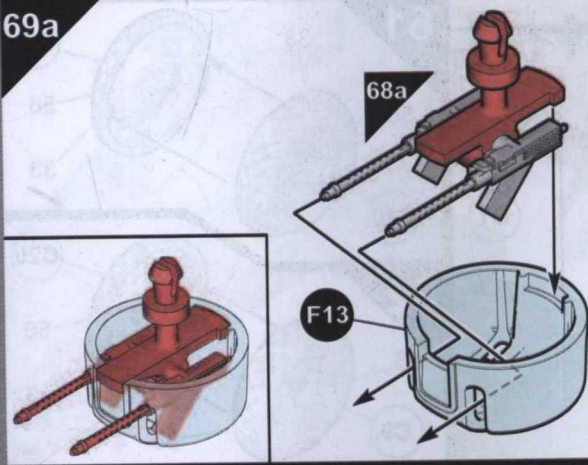
See step 70a



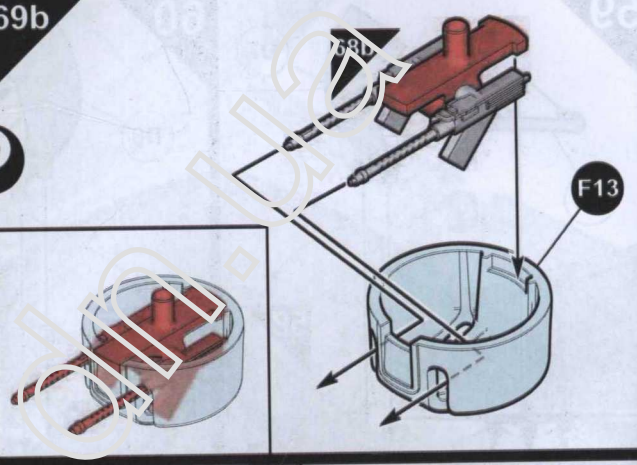
See step 70b



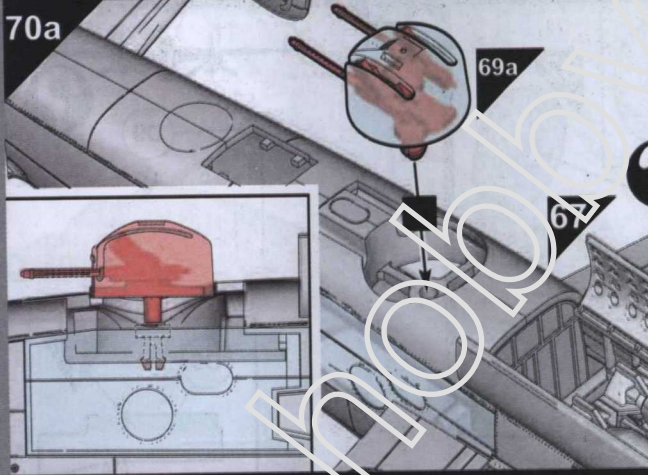
69a



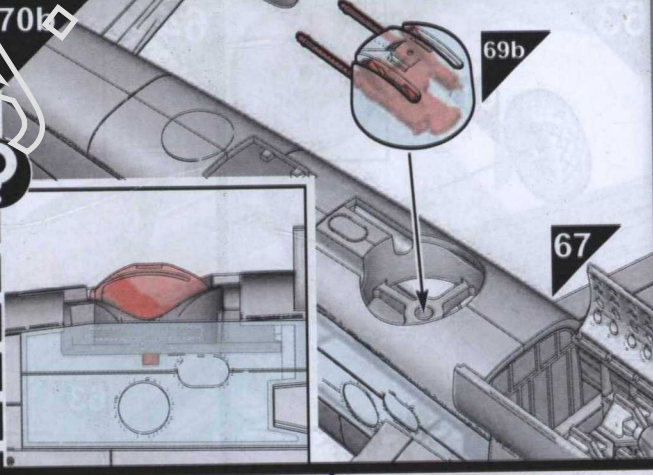
69b



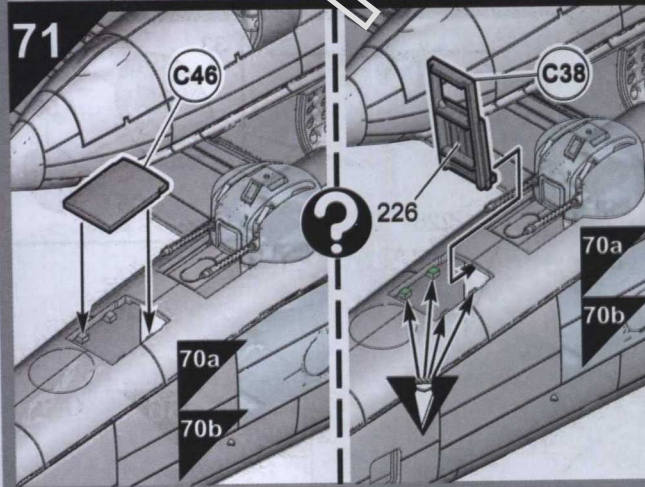
70a



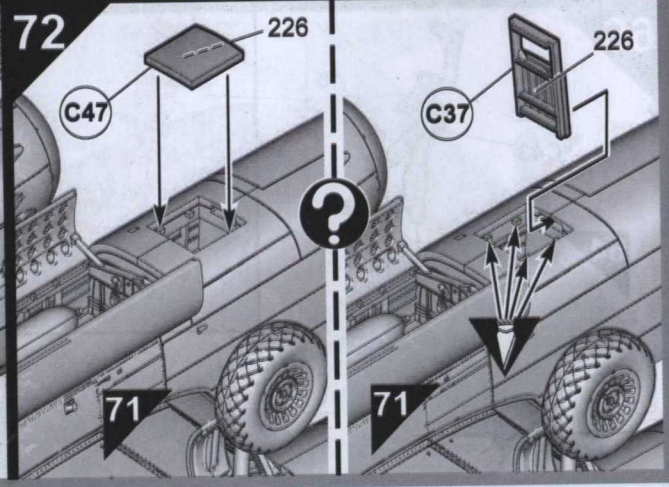
70b



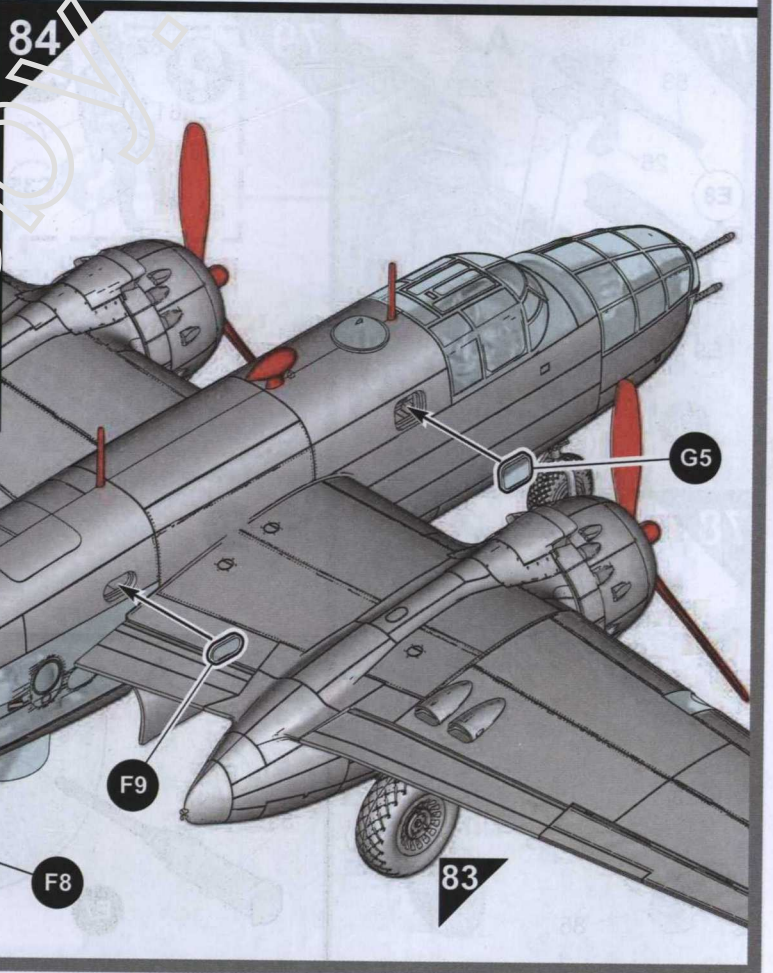
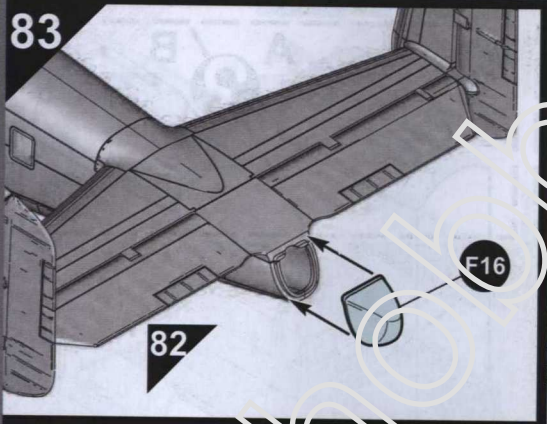
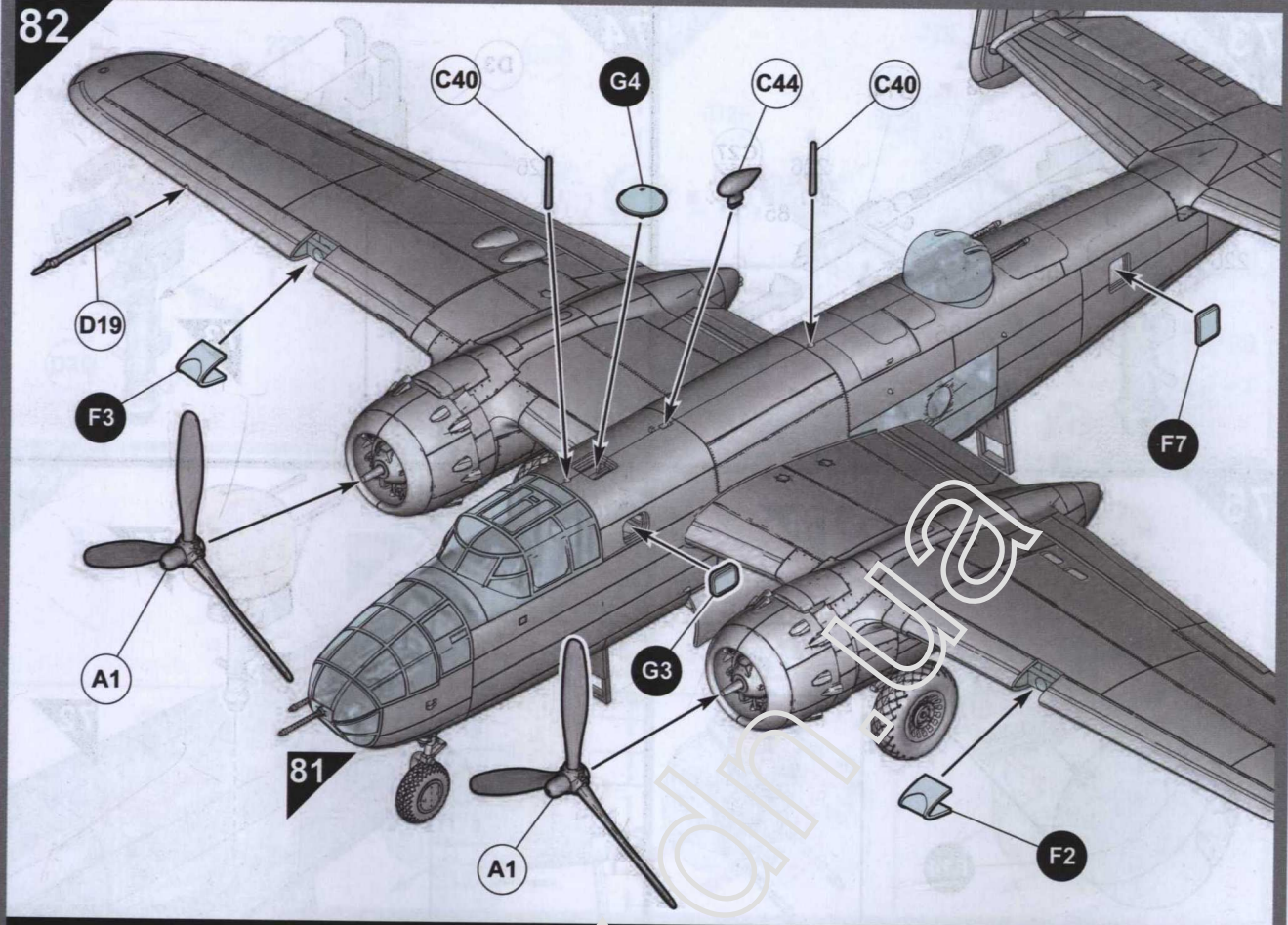
71



72

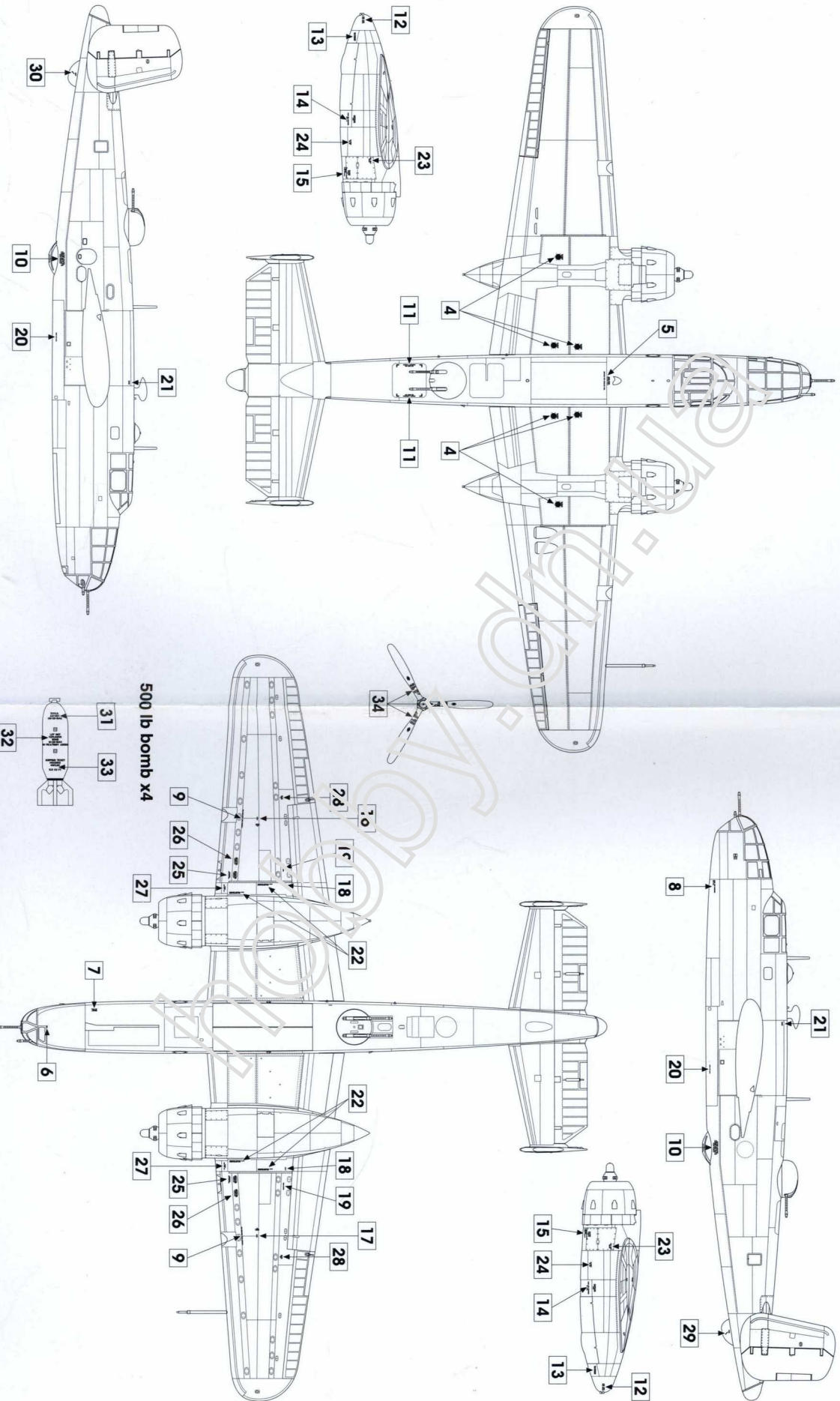


82

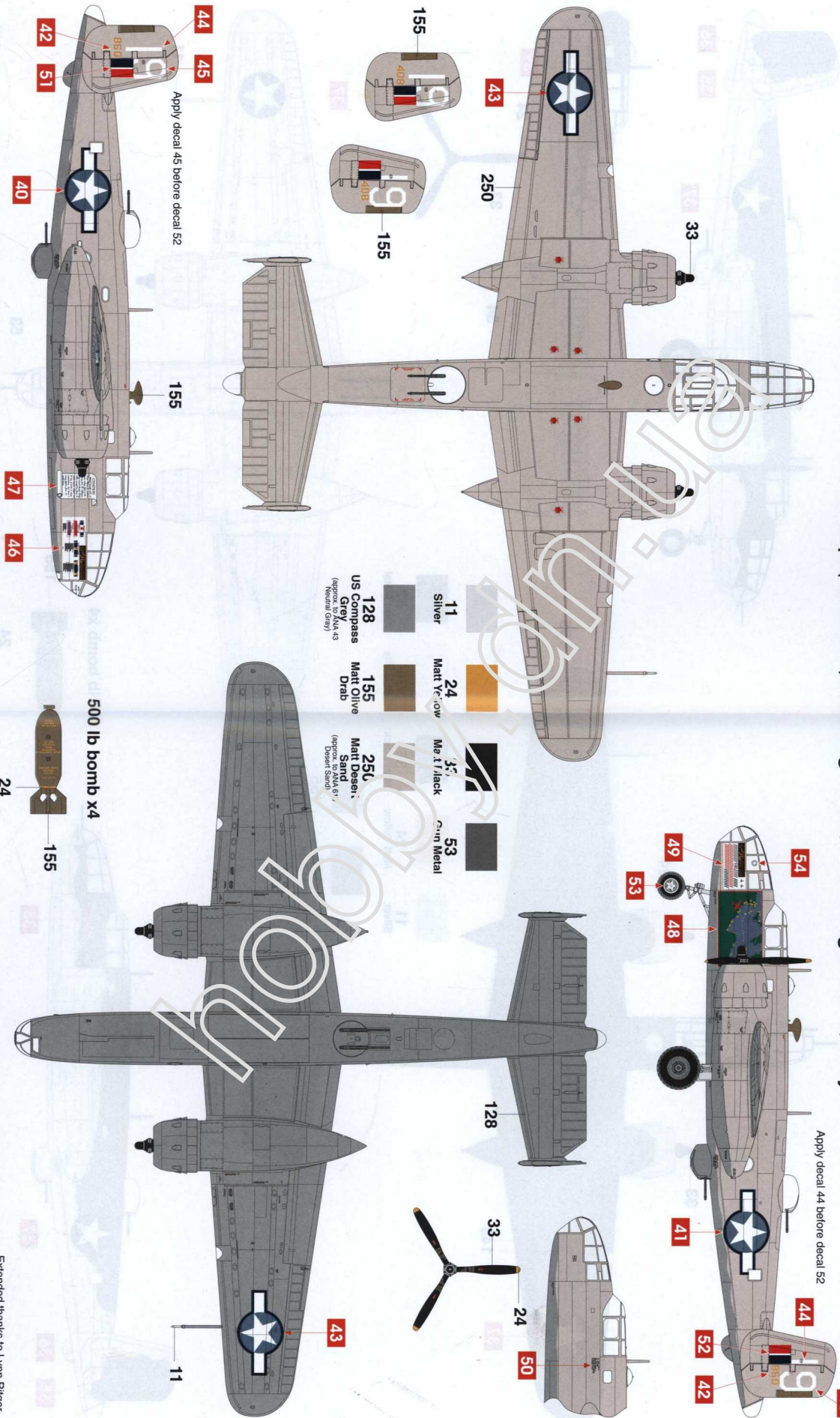


North American B-25B/C Mitchell™

Position of common stencil data



B North American B-25C Mitchell™
 "Desert Warrior" crewed by Captain Ralph Lower, Pilot Officer Anthony Martin (RCAF), Sgt. John R Dawdy, Sgt. J.B. Saragalo, Lt. Floyd R. Pond, Lt. T.R. Tate, Lt. W.O. Seaman, 81st Bombardment Squadron (Medium), 12th Bombardment Group (Medium), Bolling Field, Washington DC, July 1943.



Apply decal 44 before decal 52

Apply decal 45 before decal 52

500 lb bomb x4

Extended thanks to Lynn Ritger.

North American B-25D-15 Mitchell™

41-30409 "Lady Jane", 23rd Antisubmarine Squadron, Tampa, Florida, USA, July 1943.

