



YENKO™ CHEVY® CAMARO™ 1969



1/25 SCALE MODEL KIT
KIT DE MODÈLE À ÉCHELLE 1/25

IMPORTANT

Before you begin to assemble your model kit, study the instructions carefully. This will help you to familiarize yourself with the part locations as you proceed. Prior to cementing parts together be sure to "TEST FIT" them in order to assure proper alignment and also to check for excess "FLASH" that may occur along parting lines. Use a sharp hobby knife or file to remove flash if necessary. If you wish to paint your model, various subassemblies and components should be painted before any parts are attached. During assembly, you may note that the recommended color is stated after the part name. This model kit is molded from the finest high-impact styrene plastic. Use only paints and cements which are specifically formulated for styrene. Read all labels and warnings carefully. Because the cement will only adhere to bare plastic, it is necessary to remove any paint or "plating" from the area to which the cement is to be applied.

BUILDING TIPS FOR THE ADVANCED MODELER

For the best possible finish, your kit should be painted, even if molded in color. Paint should be applied evenly in several thin coats rather than one heavy coat. The first coat should not completely cover the surface. Each layer should be allowed to thoroughly dry before the next is applied. Also, each coat should be "wet sanded", except for the final coat, using No.1200 wet or dry sandpaper which is slightly damp. Be careful not to remove any detail while sanding.

It is important to keep your hands clean when working with your model. Wash parts thoroughly before painting to remove any mold release agent that may have been used during manufacture, body oil from your hands, sanding residue, and dust, which is naturally attracted to plastic by static electricity. Use a mild solution of dishwashing detergent and water. A tack rag should be used to dry the parts, DO NOT use paper towels or tissues, since they will leave lint on the part.

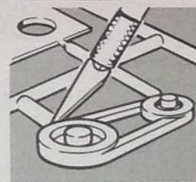
Parting lines and glue joints should be sanded or filed prior to painting and cementing. Because paint has a tendency to draw away from sharp edges, they should be lightly filed. Use filler putty designed for plastic to fill small gaps that may occur between parts and to blend contours. This should be done only after the first, or "primer," coat of paint is applied.

When painting a two-tone body, the lightest color should be painted first. Use frosted, or "magic," tape to mask off the area you do not want painted. After the second color is dry to the touch, the tape can be removed. Use a very fine brush to touch up edges if necessary. If decals are to be added, do so before adding any gloss coat. A gloss coat will help even out the edges between the two colors as well as set the decals.

RECOMMENDED TOOLS

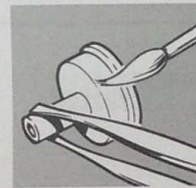
HOBBY KNIFE

Use a sharp hobby knife to remove parts from the trees. The knife may also be used to remove parting lines and flash.



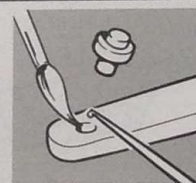
TWEEZERS

Use tweezers to hold small parts during assembly, painting and when applying cement.



CEMENT

We recommend the use of liquid polystyrene cement. Apply with a fine brush or toothpick. Use cement sparingly or a sloppy job will result.



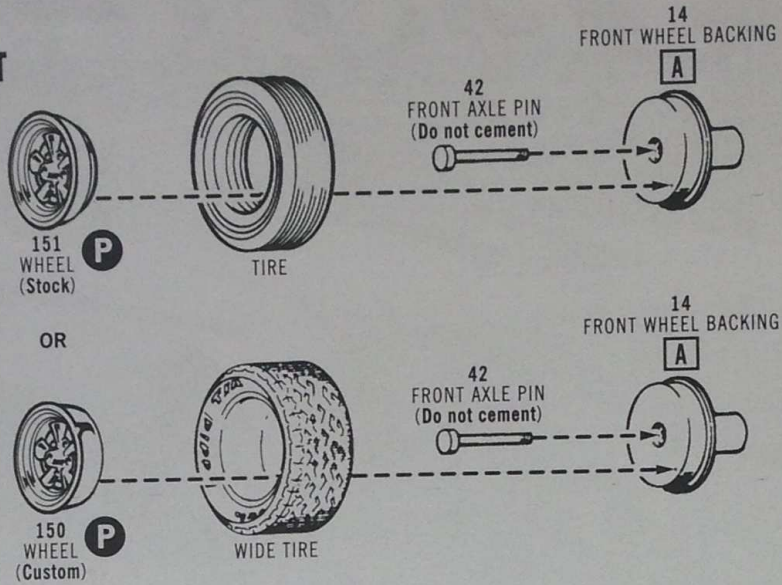
VISIT US ONLINE AT...
VISITEZ NOUS EN LIGNE ...
round2models.com



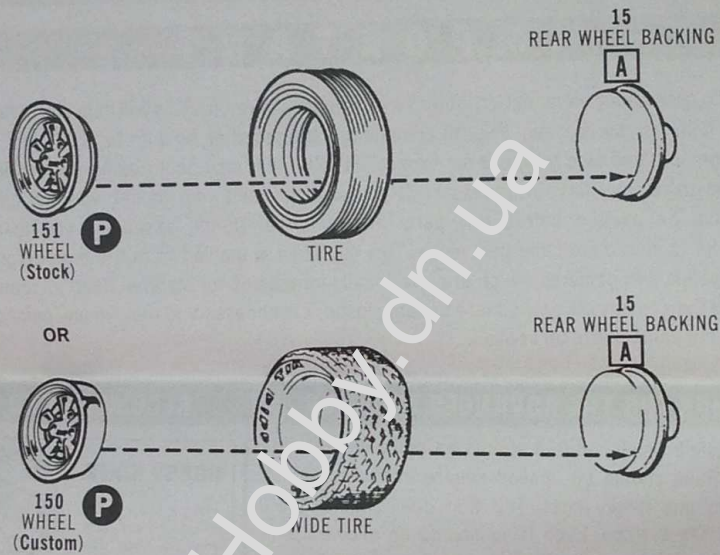
GENERAL MOTORS Trademarks used under license to Round 2, LLC. Goodyear (and winged foot design) and Blimp are trademarks of The Goodyear Tire & Rubber Company used under license by Round 2, LLC, South Bend, IN 46628. Copyright 2019 The Goodyear Tire & Rubber Company. Other names and trademarks used under license to Round 2, LLC or by permission. AMT and design is a registered trademark of Round 2, LLC. ©2019 Round 2, LLC, South Bend, IN 46628 USA. Product and packaging designed in the USA. Made in China. All rights reserved.

I. TIRES

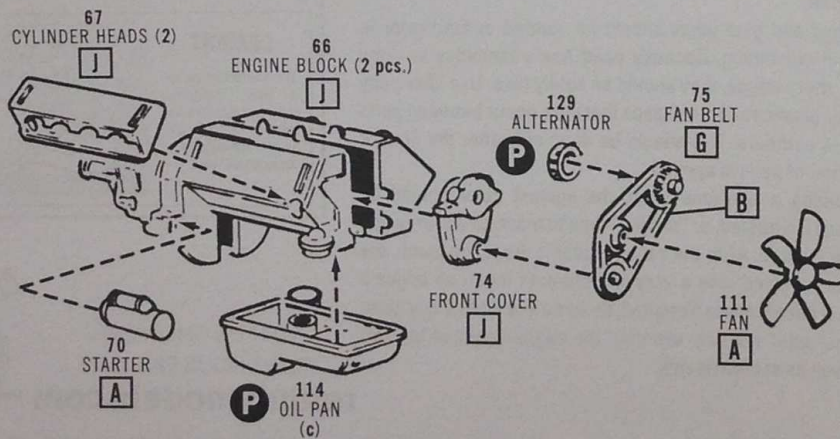
FRONT



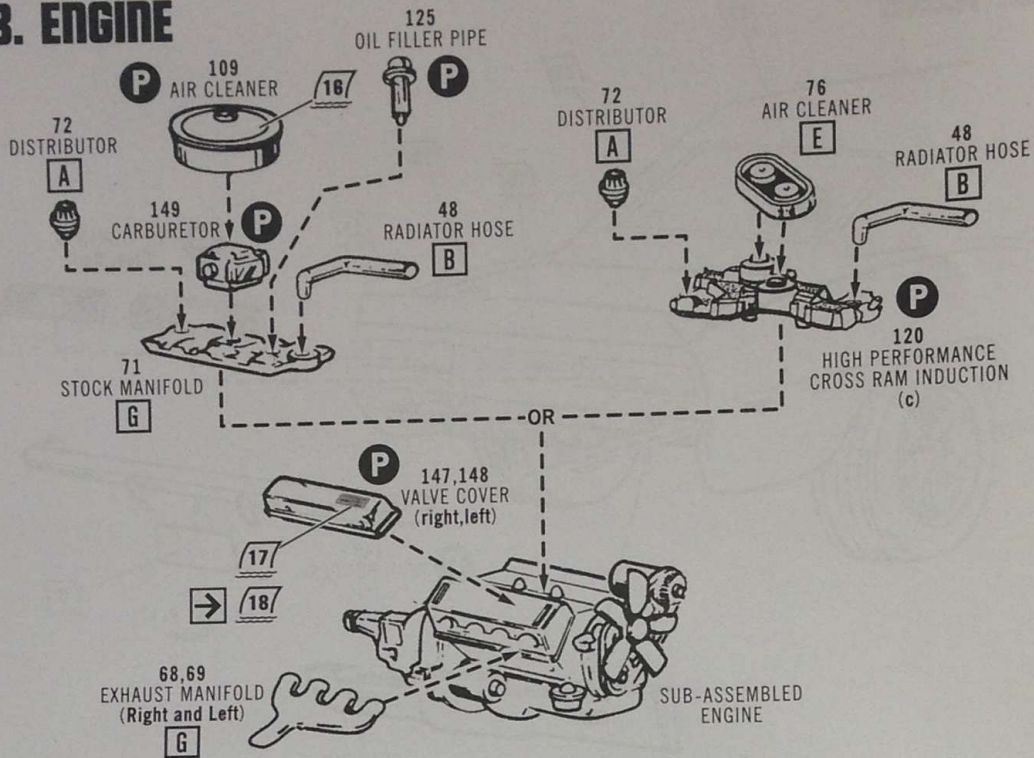
REAR



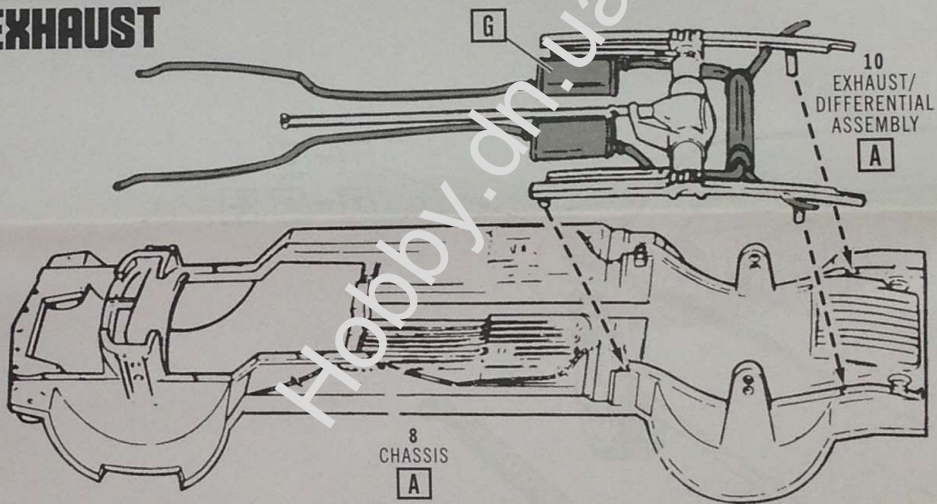
2. ENGINE



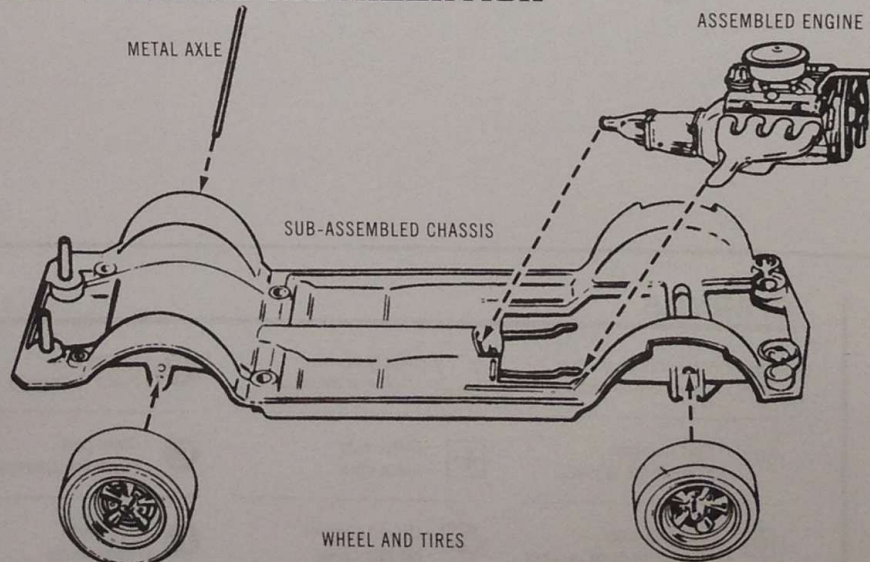
3. ENGINE



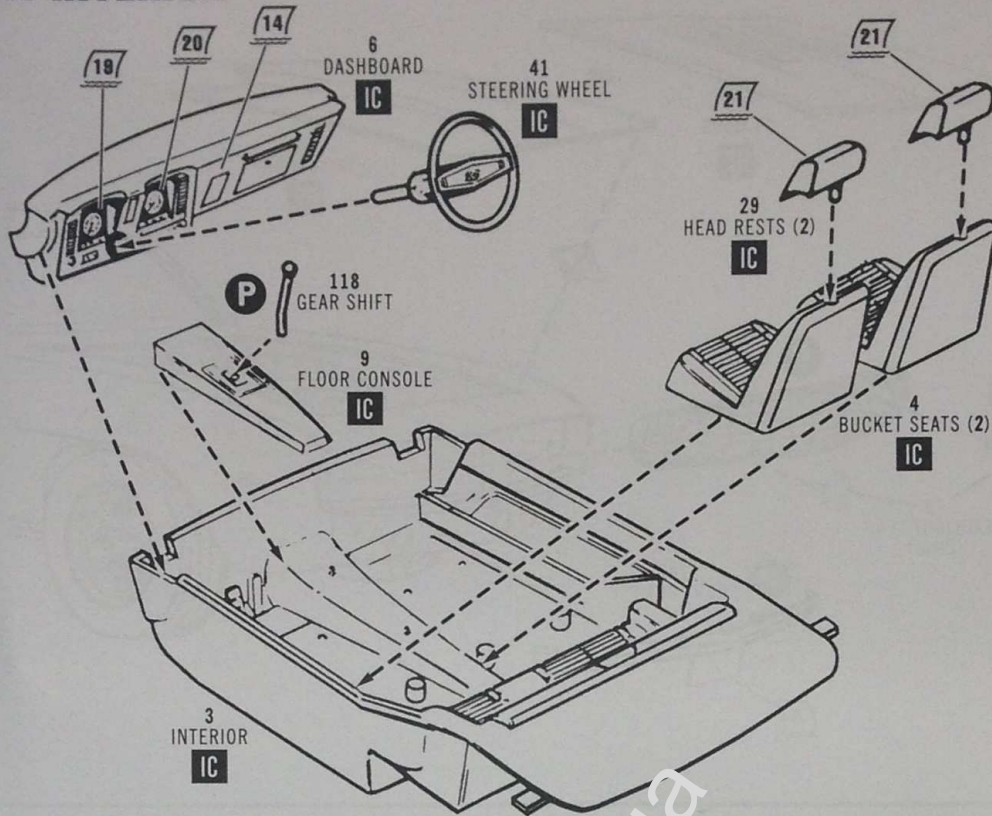
4. EXHAUST



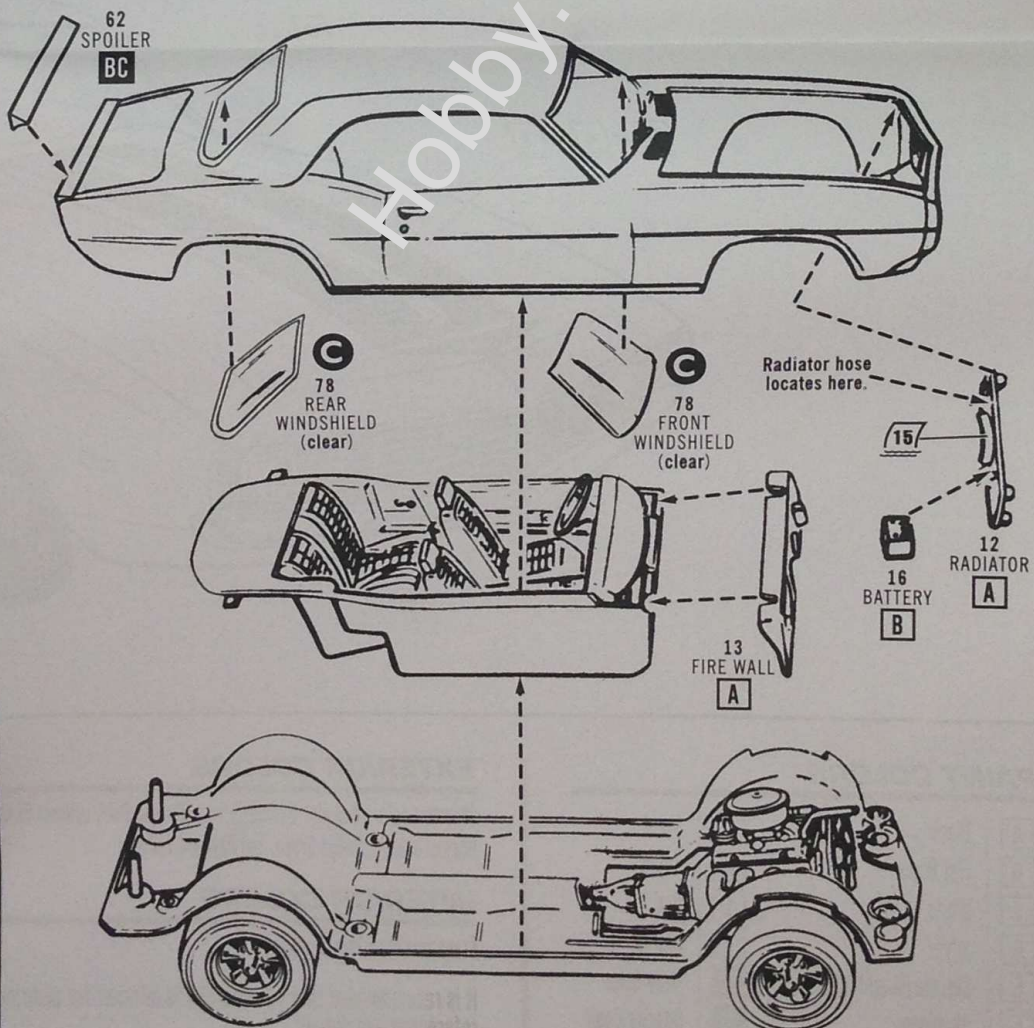
5. TIRE / ENGINE INSTALLATION



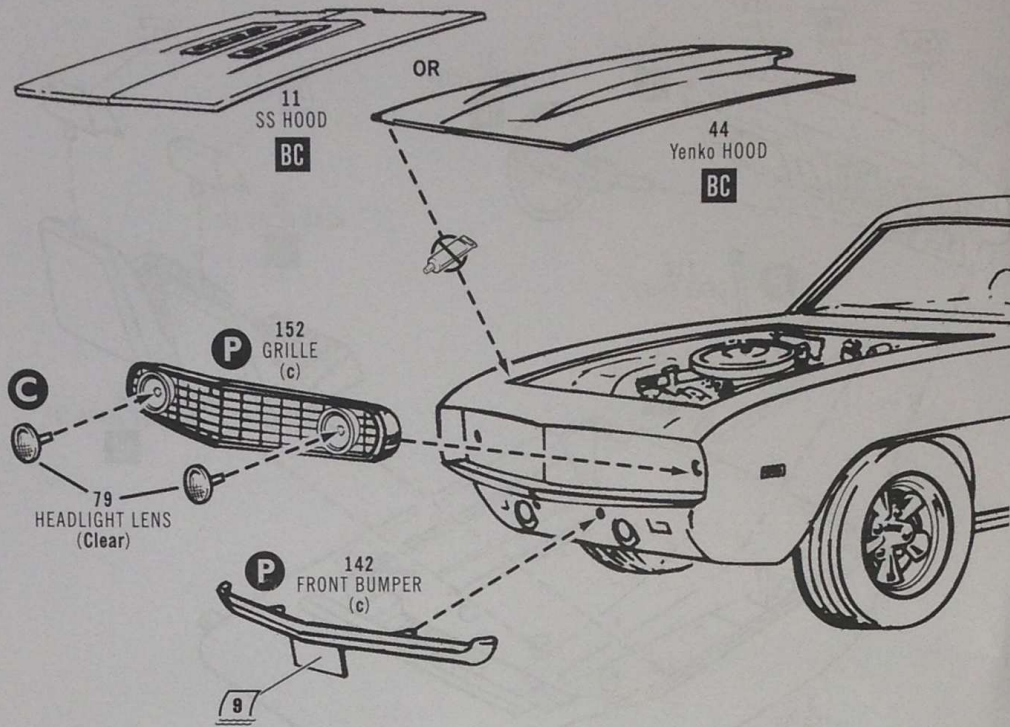
6. INTERIOR



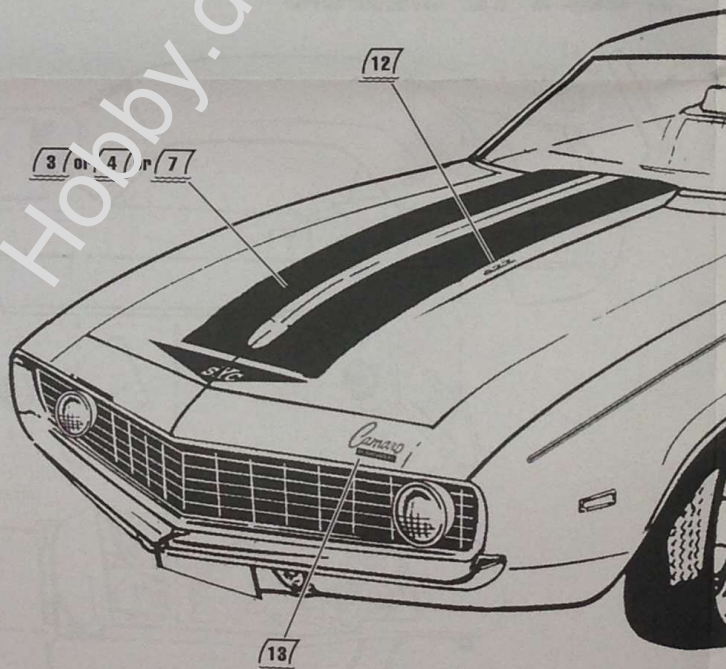
7. BODY TO CHASSIS



8. FRONT



DECAL PLACEMENT / EMBLACEMENT DES DECALQUES



PAINT COLORS

A	Black	G	Steel
B	Flat Black	H	Amber
C	White	I	Red
D	Silver	J	Orange
E	Chrome (Bright Silver)	BC	Body Color
F	Aluminum	IC	Interior Color

EXTERIOR COLORS

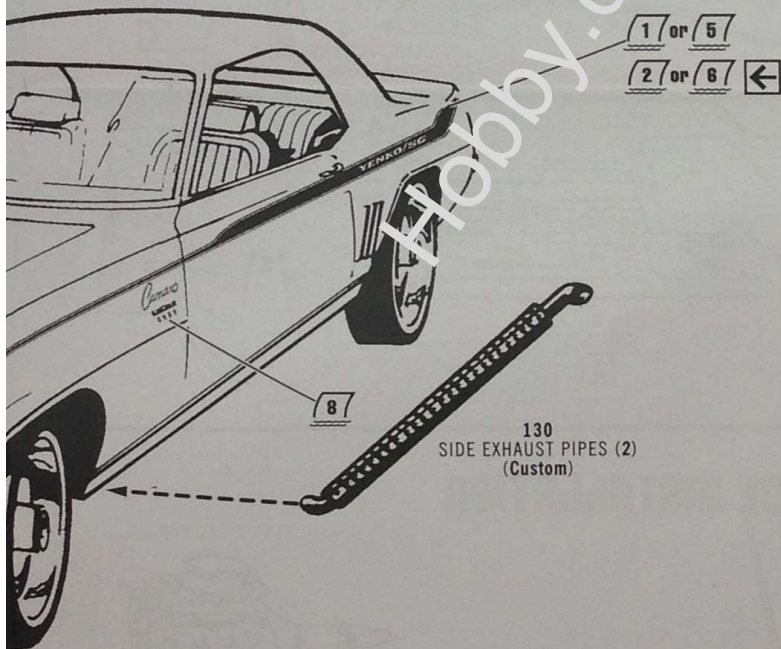
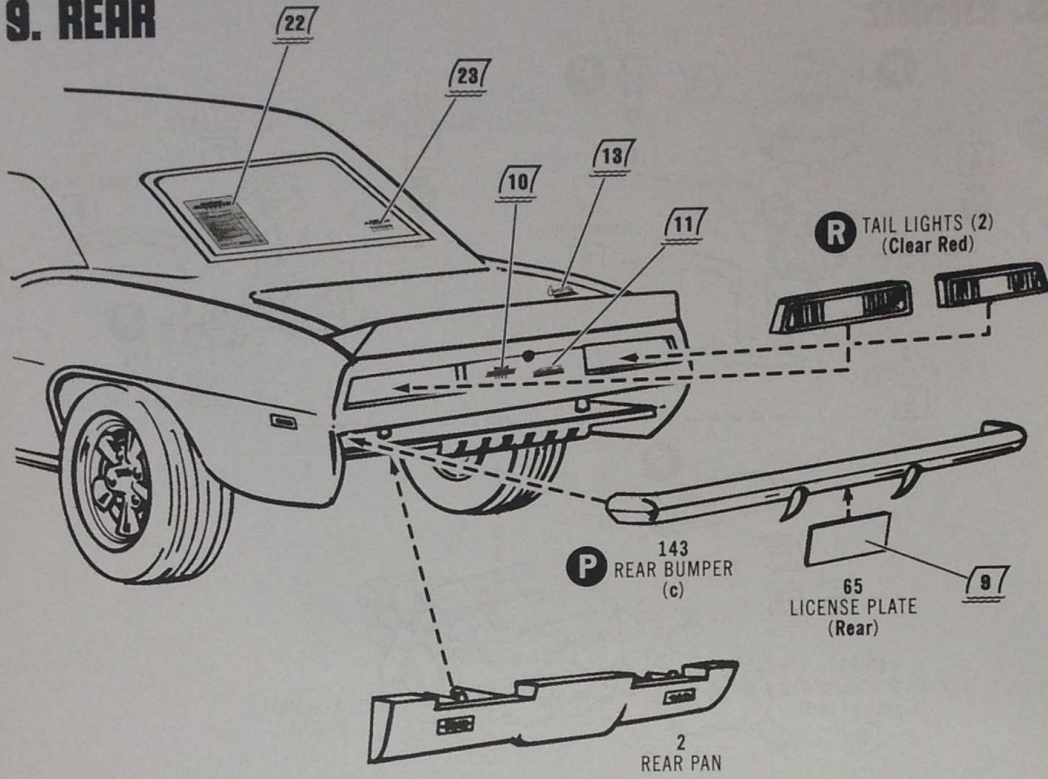
Standard Colors Include: Fathom Green, Olympic Gold, LeMans Blue, Hugger Orange, Rallye Green, and Daytona Yellow

INTERIOR COLORS

Standard Colors Include: Black

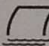
It is recommended that you search the internet for additional references and details.

9. REAR




SYMBOLS

2 • Assembly sequence
• Ordre de montage

 • Apply decal
• Coller le décalque


P • Plated part
• Pièce métallisée

502 • Part number
• Numéro de la pièce

 • Other side
• Autre côté

C • Clear part
• Pièce transparente

C • Paint this color
• Peindre de cette couleur

 • Do not cement
• Ne pas coller

R • Red part
• Pièce rouge