

# '70 1/2 CAMARO Z28® FULL BUMPER



A1155-200

## IMPORTANT

Before you begin to assemble your model kit, study the instructions carefully. This will help you to familiarize yourself with the part locations as you proceed. Prior to cementing parts together, be sure to "TEST FIT" them in order to assure proper alignment and also to check for excess "FLASH" that may occur along parting lines. Use a sharp hobby knife or file to remove flash if necessary. If you wish to paint your model, various sub-assemblies and components should be painted before any parts are attached. During assembly, you may note that the recommended color is stated after the part name. This model kit is molded from the finest high-impact styrene plastic. Use only paints and cements which are specifically formulated for styrene. Because the cement will only adhere to bare plastic, it is necessary to remove any paint or "plating" from the area to which the cement is to be applied.

## SYMBOLS

**1**  
Assembly Sequence

**7**  
Part Number

**21**  
Part will Locate Here in Future Assembly

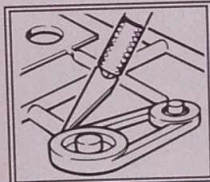
**13**  
Completed Assembly

**3**  
Decal

**◀**  
Optional

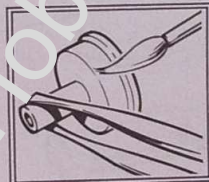
**★**  
Begin Here

## TOOLS



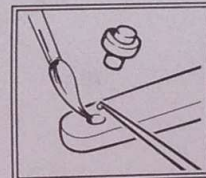
### HOBBY KNIFE

Use a sharp hobby knife to remove parts from the trees. Some parts may appear to have an extra "tab" on them, these should be removed.



### TWEEZERS

Tweezers are handy for holding very small parts during assembly or painting.



### CEMENT

We recommend the use of liquid polystyrene cement. Apply with a fine brush or toothpick. Use cement sparingly or a sloppy job will result.

## PAINT COLORS

<b>A</b> Black	<b>I</b> Steel	<b>Q</b> Yellow	<b>Y</b> Dark Green
<b>B</b> Flat Black	<b>J</b> Brass	<b>R</b> Tan	<b>Z</b> Gray
<b>C</b> Semi-Gloss Black	<b>K</b> Gold	<b>S</b> Brown	<b>CO</b> Chevy® Orange
<b>D</b> White	<b>L</b> Amber	<b>T</b> Lt. Blue	<b>IC</b> Interior Color
<b>E</b> Flat White	<b>M</b> Transparent Amber	<b>U</b> Med. Blue	<b>BC</b> Body Color
<b>F</b> Silver	<b>N</b> Red	<b>V</b> Dark Blue	▲ Semi-Gloss
<b>G</b> Chrome (Bright Silver)	<b>O</b> Transparent Red	<b>W</b> Transparent Blue	▲ Gloss
<b>H</b> Aluminum	<b>P</b> Orange	<b>X</b> Lt. Green	▲ Metallic

## EXTERIOR COLORS

Standard Colors Include: Classic White, Cortez Silvery, Shadow Gray, Astro Blue, Fathom Blue, Tuxedo Black, Misty Turquoise, Citrus Green, Green Mist, Forest Green, Gobi Beige, Daytona Yellow, Sunflower Yellow, Camaro Gold, Champagne Gold, Autumn Gold, Desert Sand, Hugger Orange, Classic Copper, Cranberry Red, Black Cherry.

## INTERIOR COLORS

Standard Colors Include: Black, White, Sandalwood, Blue, Dark Green and Saddle.

It is recommended that you search the internet for additional color references and details.



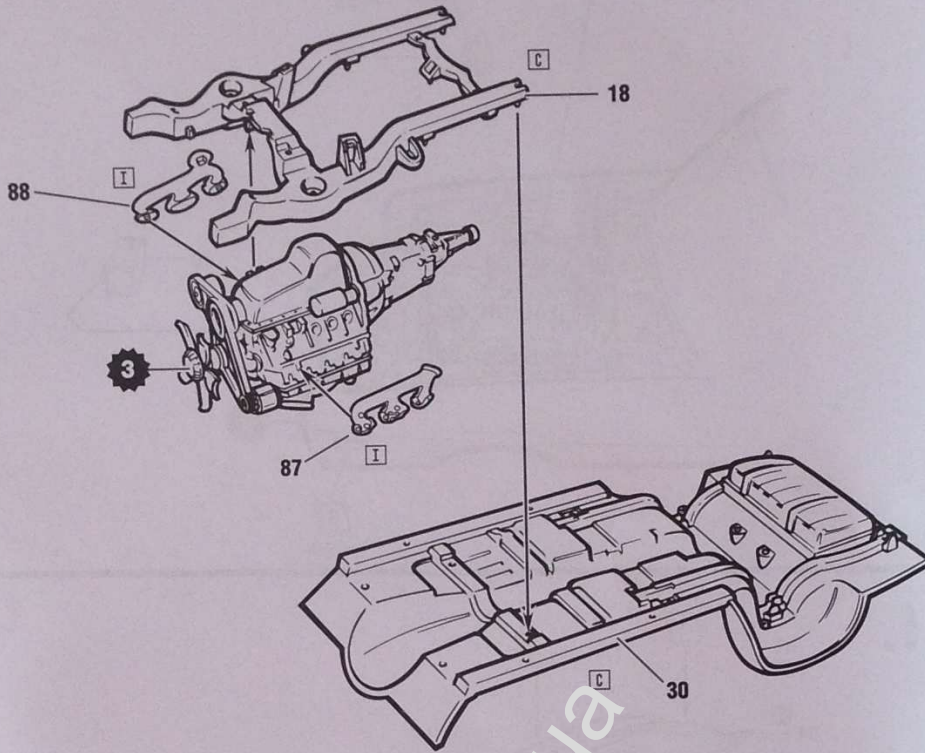
GENERAL MOTORS Trademarks used under license to Round 2, LLC. Goodyear (and winged foot design) and Blimp are trademarks of The Goodyear Tire & Rubber Company used under license by Round 2, LLC, South Bend, IN 46628. Copyright 2019 The Goodyear Tire & Rubber Company. AMT and design is a registered trademark of Round 2, LLC. ©2019 Round 2, LLC, South Bend, IN 46628 USA. Product and packaging designed in the USA. Made in China. All rights reserved.



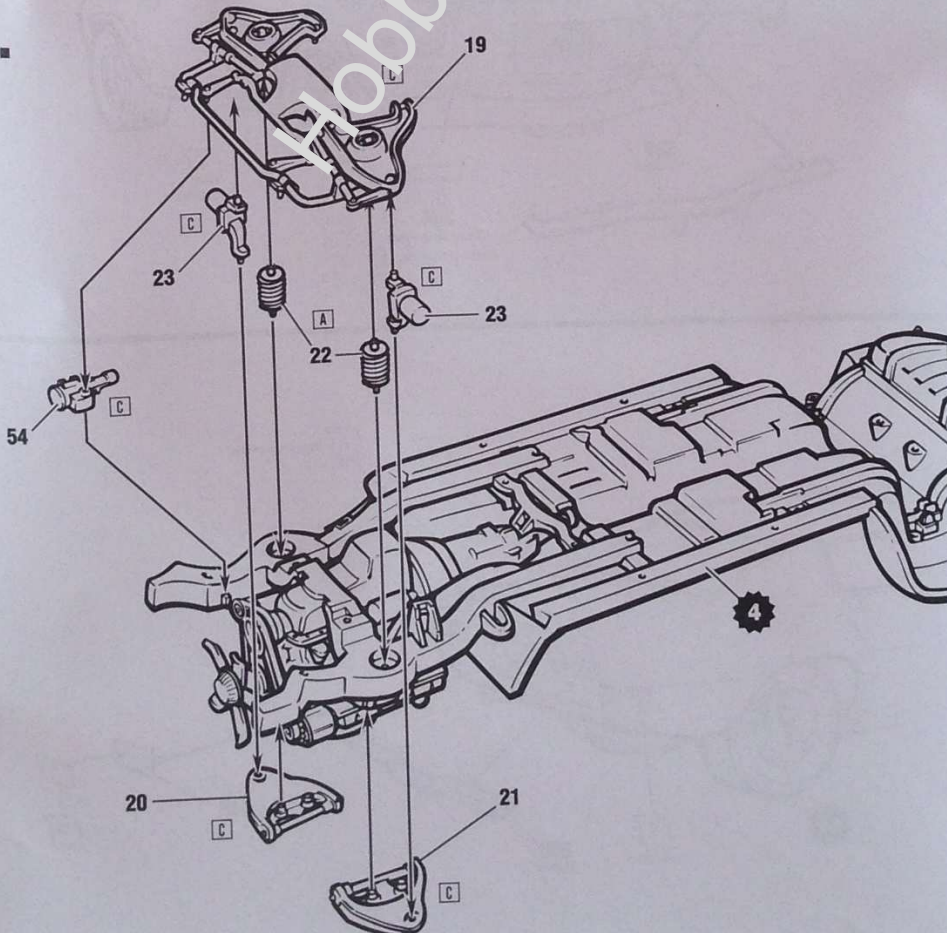
VISIT US ONLINE AT...  
**round2models.com**



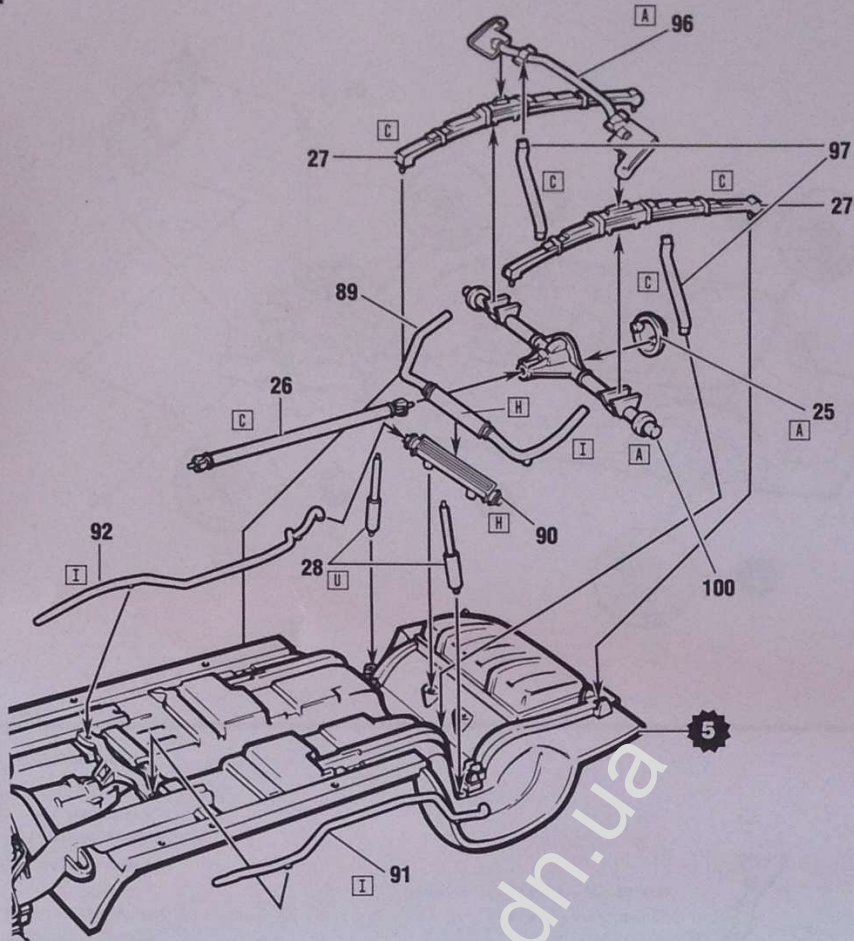
4.



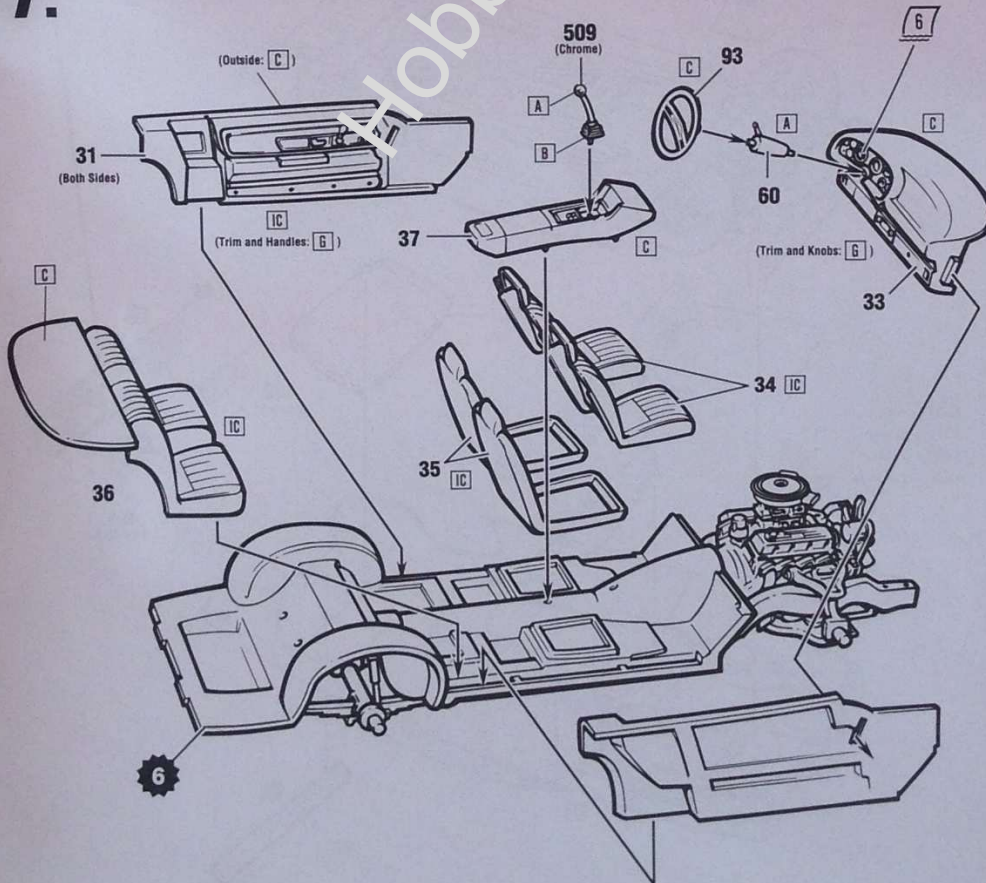
5.



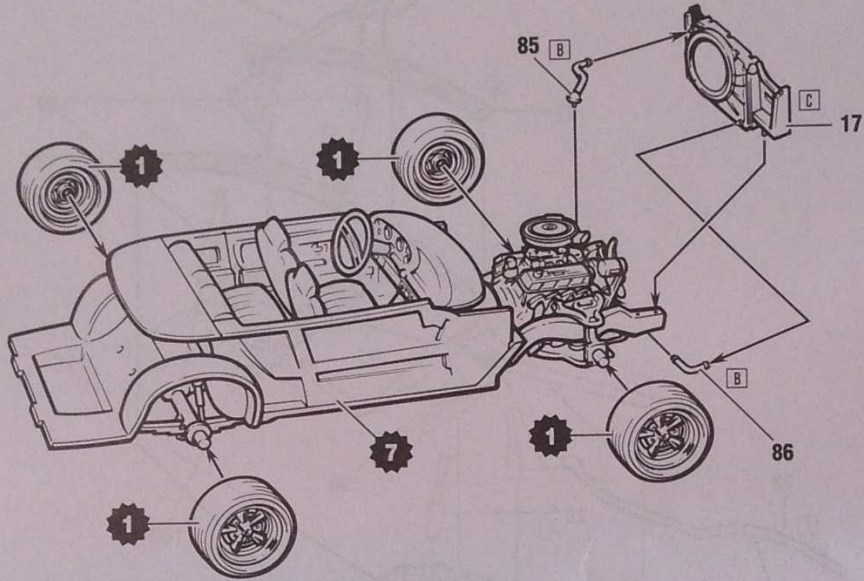
6.



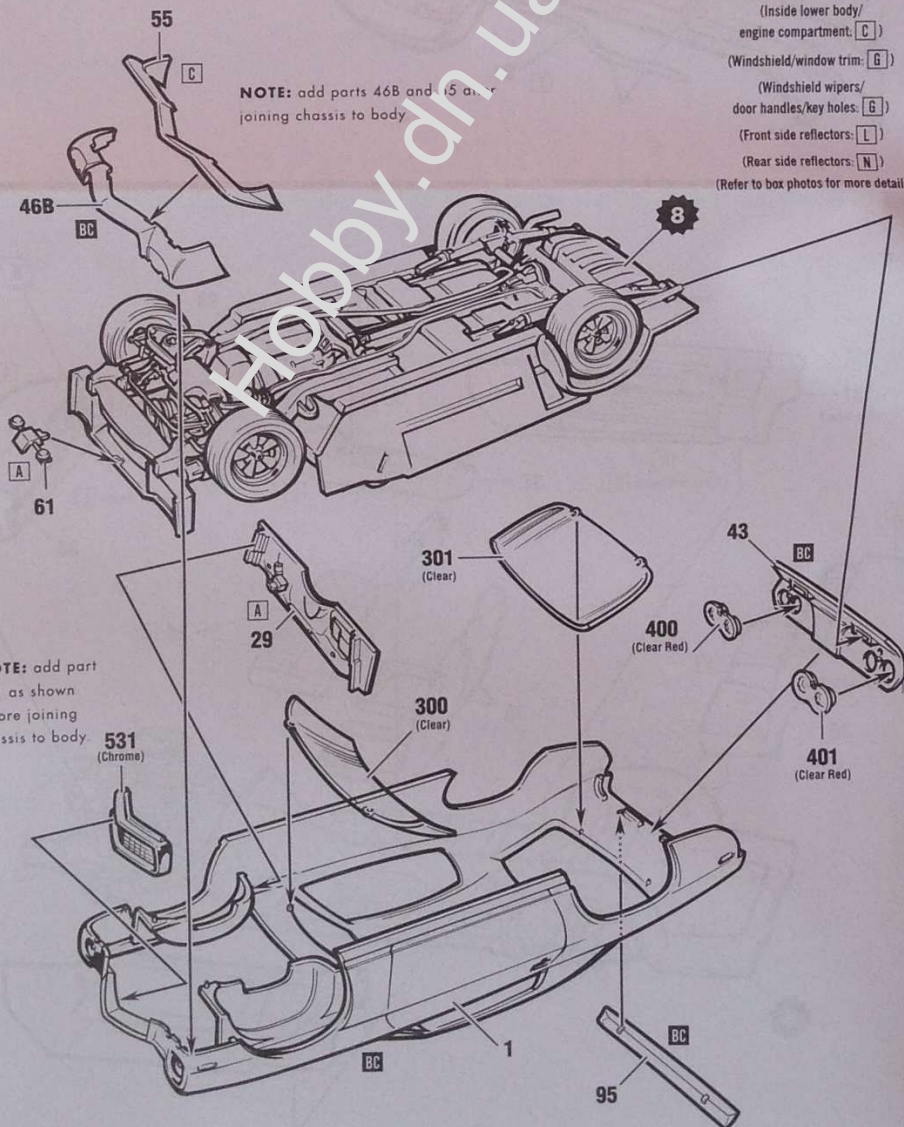
7.



8.



9.

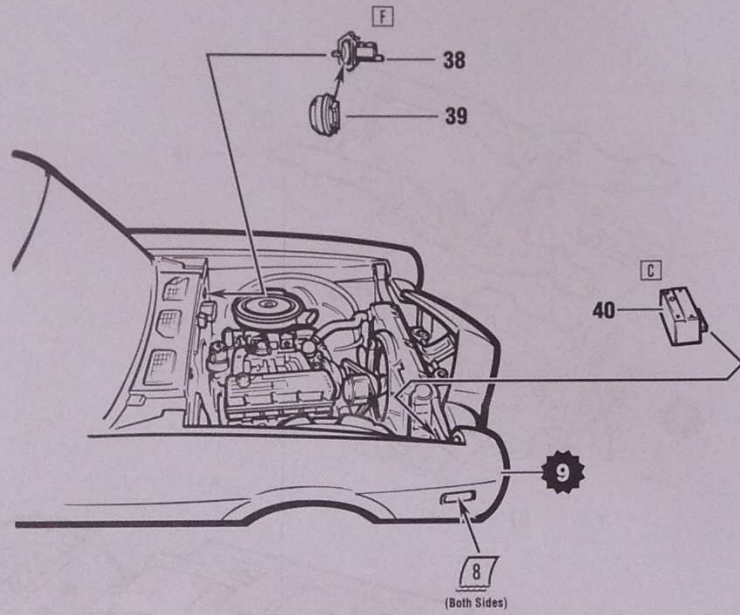


**NOTE:** add parts 46B and 45 as shown before joining chassis to body.

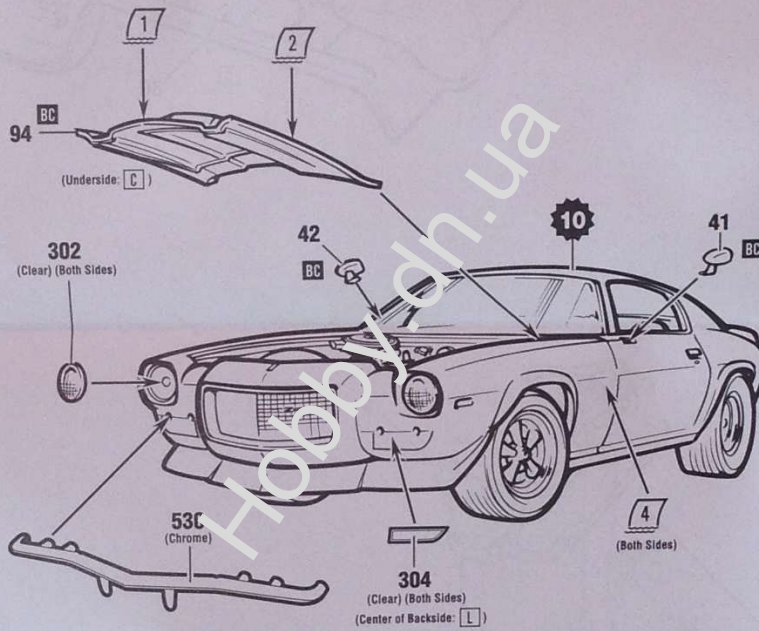
**NOTE:** add part 531 as shown before joining chassis to body.

- \*BODY DETAILS
- (Interior roof: **B**)
- (Inside lower body/engine compartment: **C**)
- (Windshield/window trim: **G**)
- (Windshield wipers/door handles/key holes: **G**)
- (Front side reflectors: **L**)
- (Rear side reflectors: **N**)
- (Refer to box photos for more details)

10.



11.



12.

