

Clear Prop!

STARTER



TB-2 UAV IN POLISH SERVICE

1:35

model # CP3502

scale model kit

SPAN: 344 mm



LENGHT: 200 mm



NUMBER OF PARTS: 114 pcs

- 1** stages of assembly **?** optional
- A** variants of assembly **🔪** glue by super glue
- A1** part number **🔪** do not glue
- 🔪** fill with putty **🔪** make a hole
- 1** apply decals **🔪** detach with knife
- 🔪** apply the adhesive mask **🔪** paint
- 🔪** bend **🔪** repeat the operation N times

Role	Unmanned combat aerial vehicle
National origin	Turkey
Manufacturer	Baykar
First flight	August 2014
Status	In service
Number built	more than 300

The Bayraktar TB2 is a medium-altitude long-endurance (MALE) unmanned combat aerial vehicle (UCAV) capable of remotely controlled or autonomous flight operations. It is manufactured by the Turkish company Baykar Makina Sanayi ve Ticaret A.Ş., primarily for the Turkish Armed Forces. The aircraft are monitored and controlled by an aircrew in a ground control station, including weapons employment. The development of the UAV has been largely credited to Selçuk Bayraktar, a former MIT graduate student.

The Bayraktar TB2 platform has a blended wing body design with an inverted V-tail structure. Thrust is generated by a variable pitch two-blade propeller in pusher configuration. The propeller is mounted between the tail booms and driven by an internal combustion engine located in the body. The monocoque platform is modular with detachable main items such as wing, tail boom, and V-tails. Fuselage pieces are made mostly of carbon fiber composite with machined aluminum parts at joints. Fuel is stored within bladder tanks and fuel consumption is balanced with solenoid valves.

As of November 2021, the TB2 drone had completed 400,000 flight-hours globally. The largest operator of TB2 drones is the Turkish military but an export model has been sold to the militaries of a number of other countries. In the subsequent years, Bayraktar drones were deployed by a number of other nations around the world in various wars, such as by Azerbaijan in the 2020 Nagorno-Karabakh war and by Ukrainian forces during the 2022 Russian invasion of Ukraine.

REQUIRED PAINTS



MR. COLOR
308 75% + 73 25%
A.MIG-0241
GRAY



MR. COLOR 31
A.MIG-0236
DARK GRAY



MR. COLOR 1
A.MIG-0050
WHITE



MR. COLOR 2
A.MIG-0046
BLACK



MR. COLOR MC211
A.MIG-0192
POLISHED METAL



MR. COLOR 61
A.MIG-0187
BURNT IRON



MR. COLOR 8
A.MIG-0195
SILVER



MR. COLOR 137
A.MIG-0033
TIRE BLACK



MR. COLOR 35
A.MIG-0263
I/JN GRAY



MR. COLOR 217
A.MIG-0197
BRONZE



A.MIG-0093
MR. COLOR C47
RED CRYSTAL

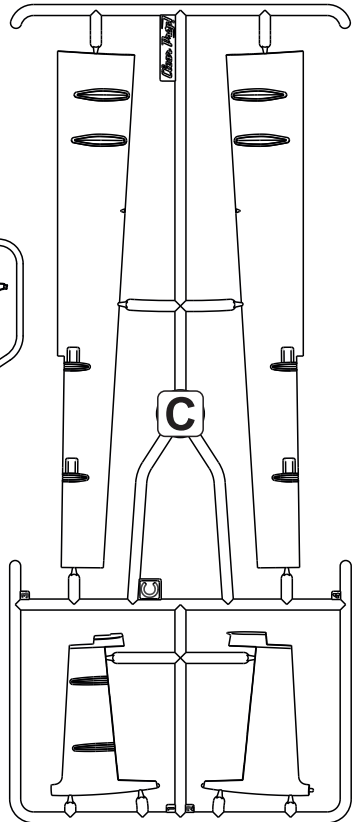
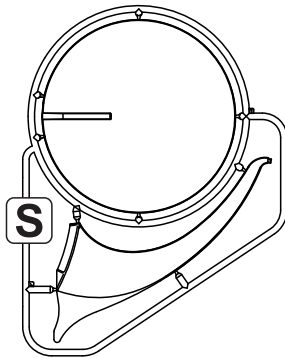
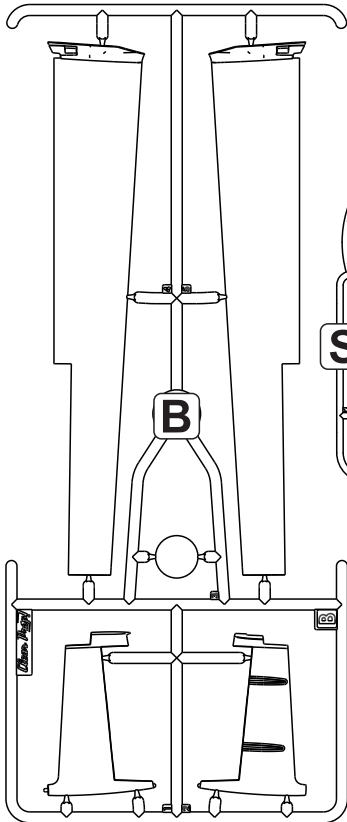
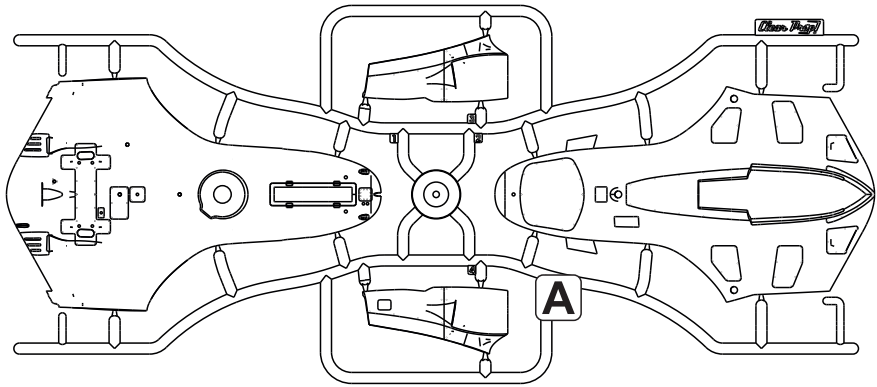


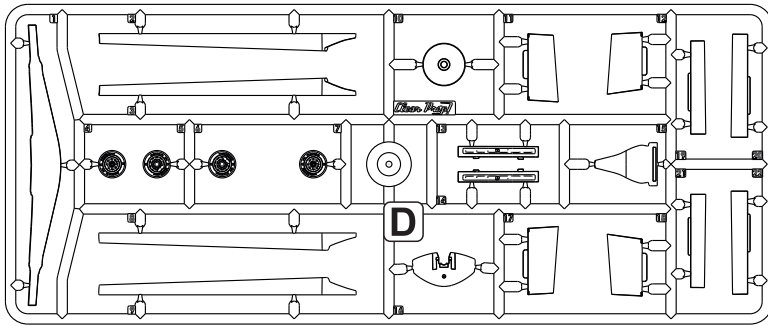
A.MIG-0092
MR. COLOR C138
GREEN CRYSTAL



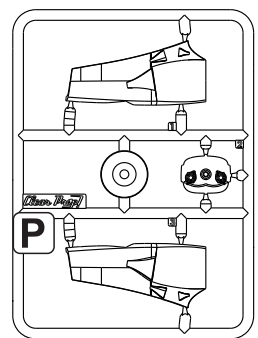
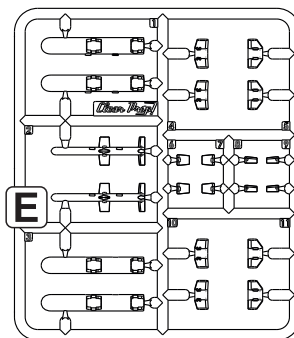
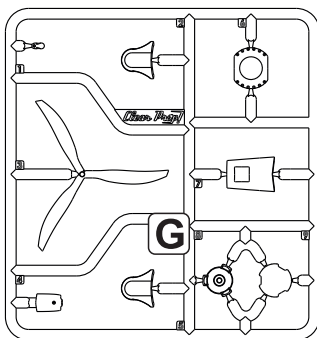
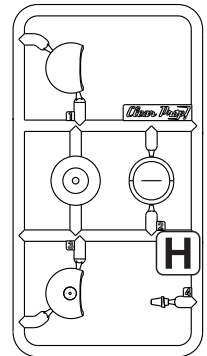
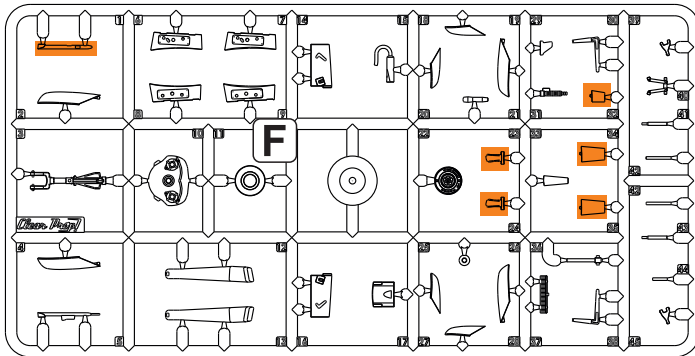
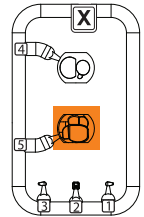
AMMO
by MIG Jimenez

THIS MODEL IS PRODUCED FOR EXPERIENCED MODELERS OVER 14 YEARS

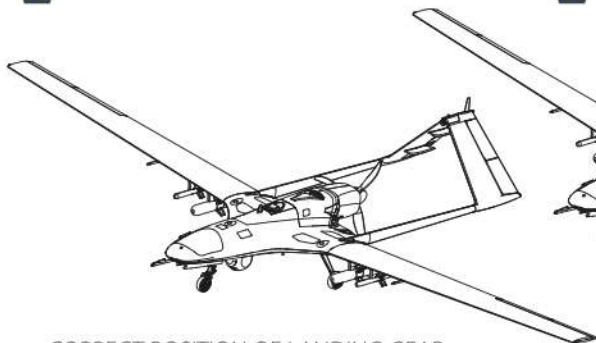




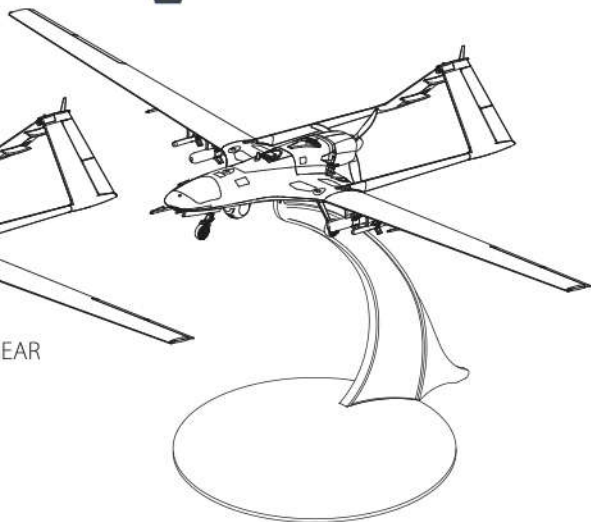
parts not for use



VARIANTS OF ASSEMBLY

A


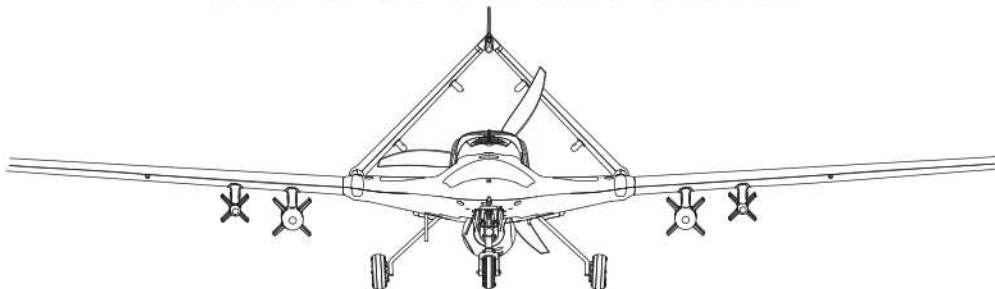
CORRECT POSITION OF LANDING GEAR

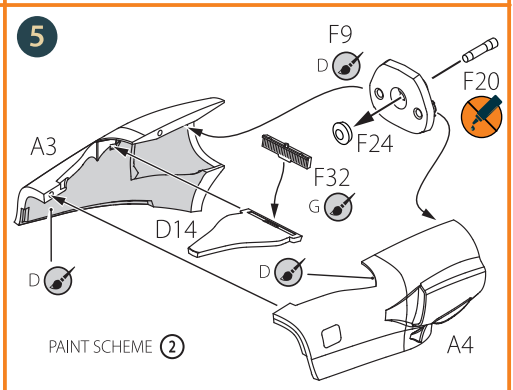
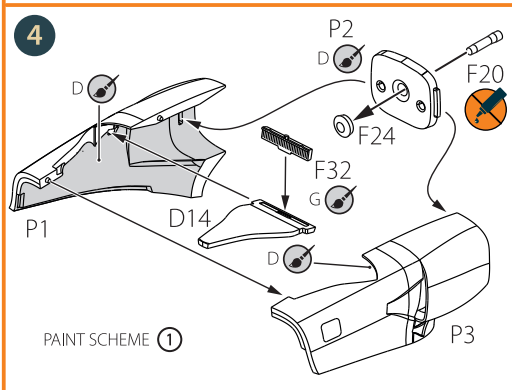
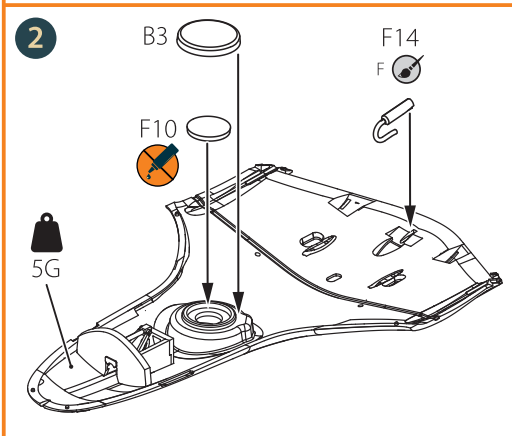
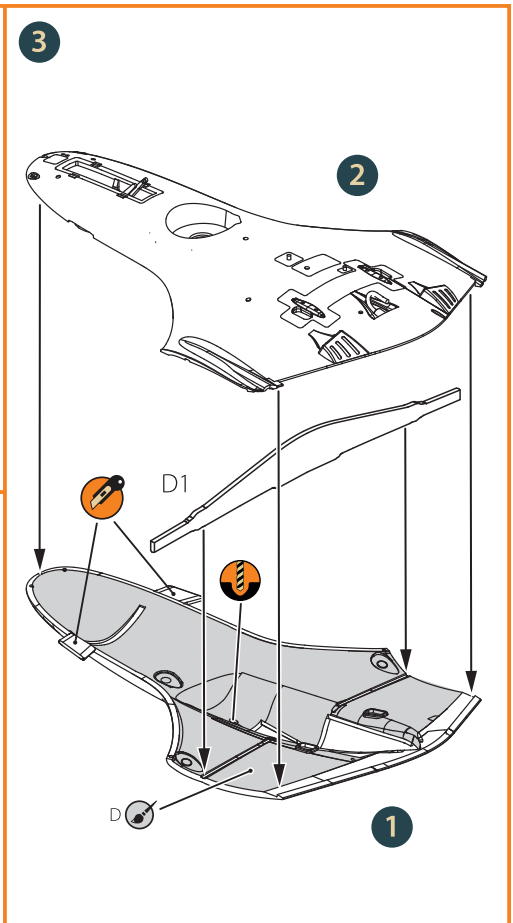
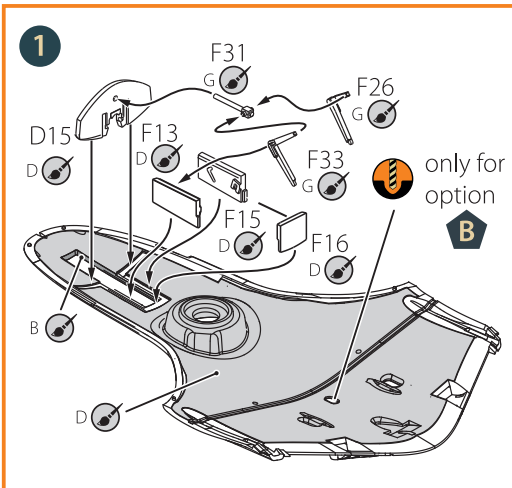

B


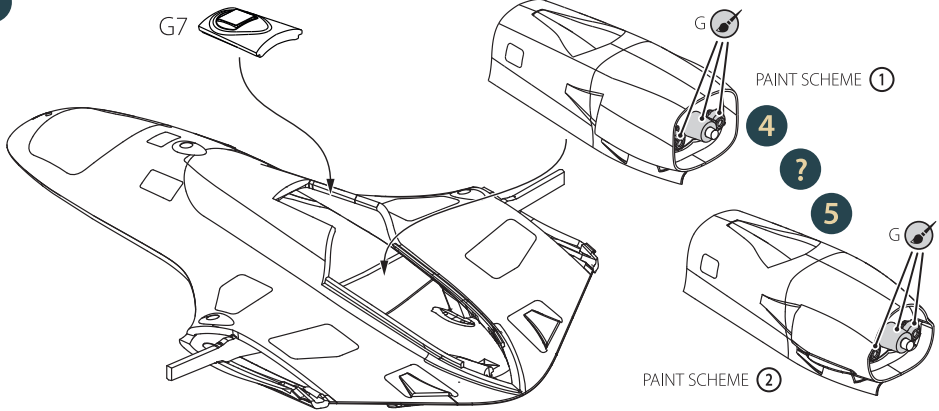
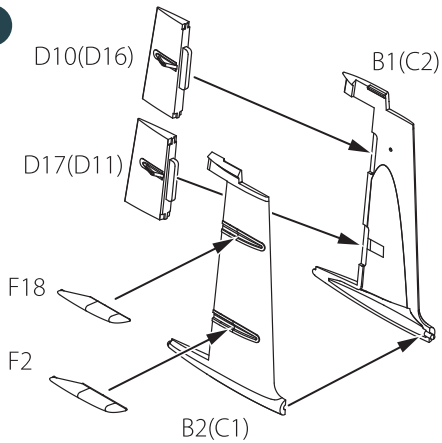
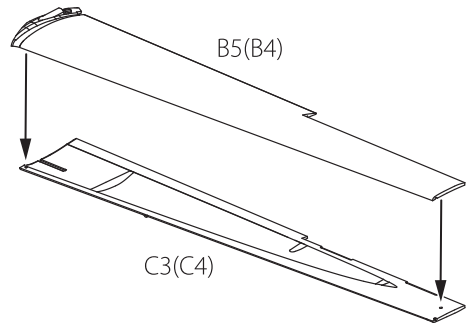
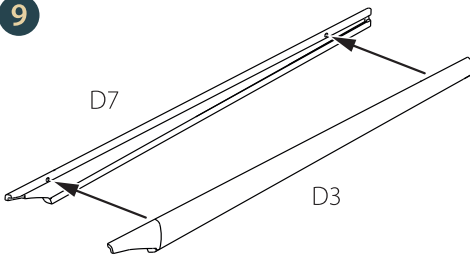
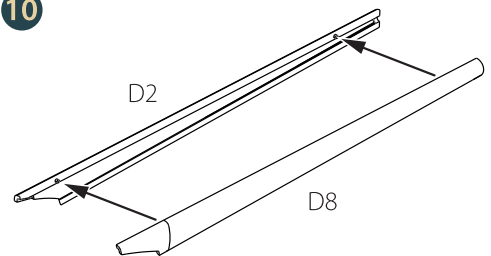
DECAL SHEET

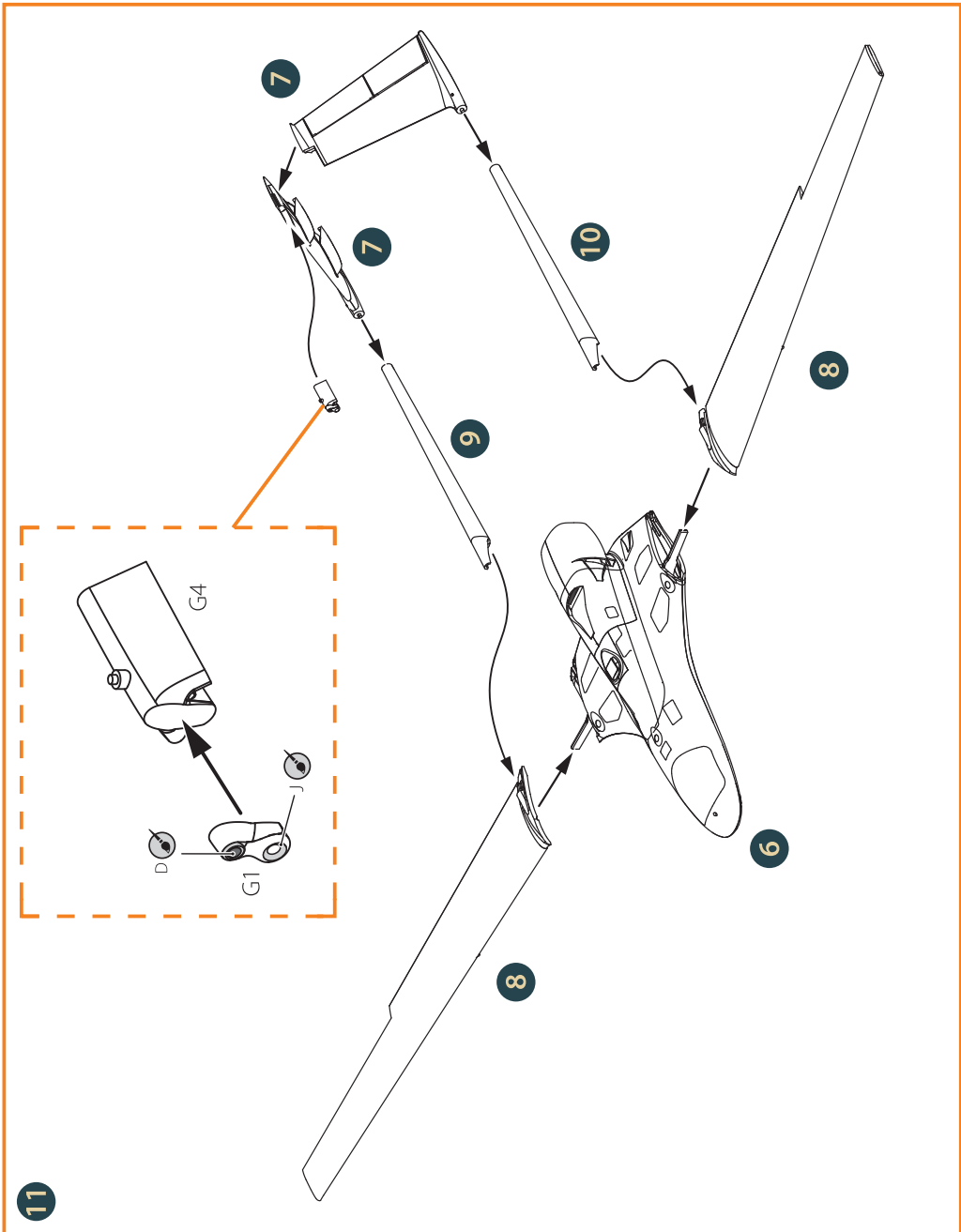


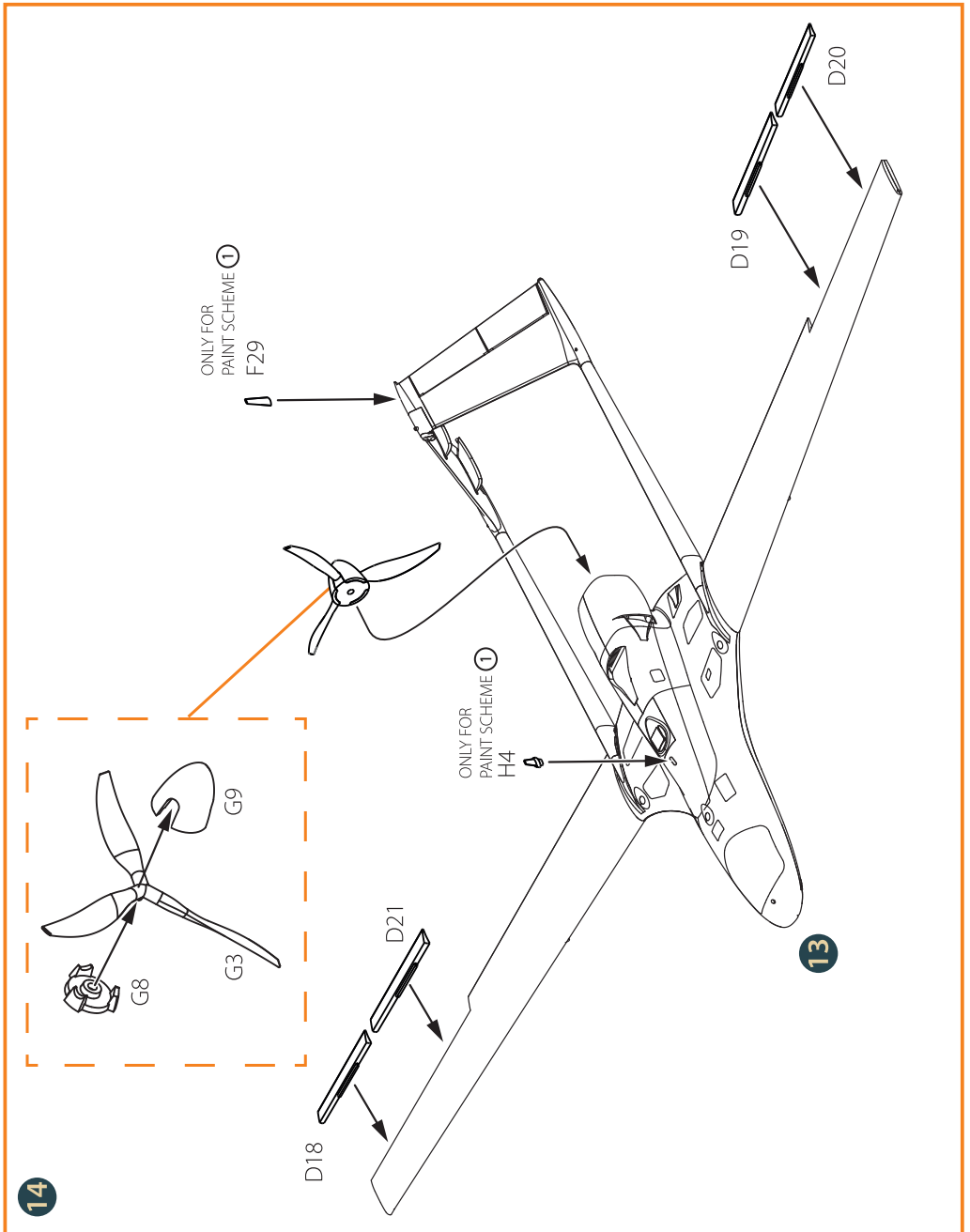
CORRECT POSITION OF LANDING GEARS AND TAIL ANGLE

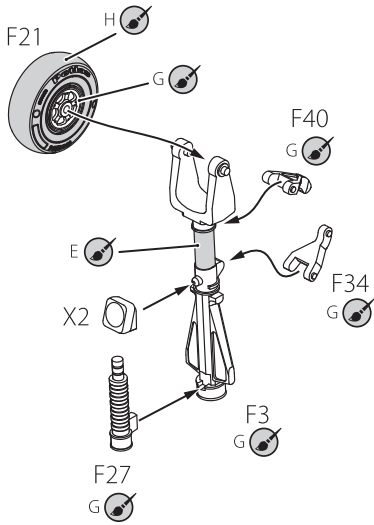
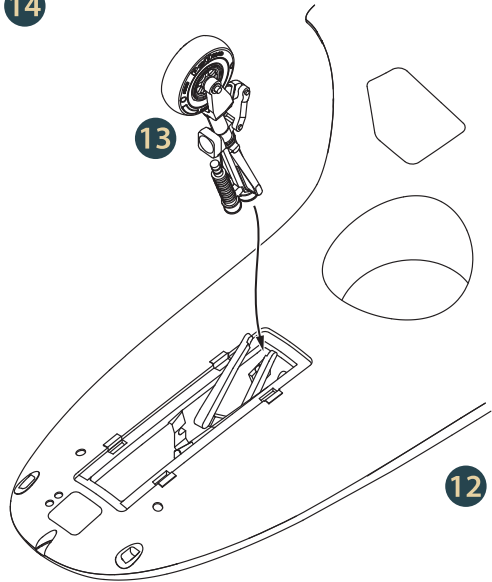
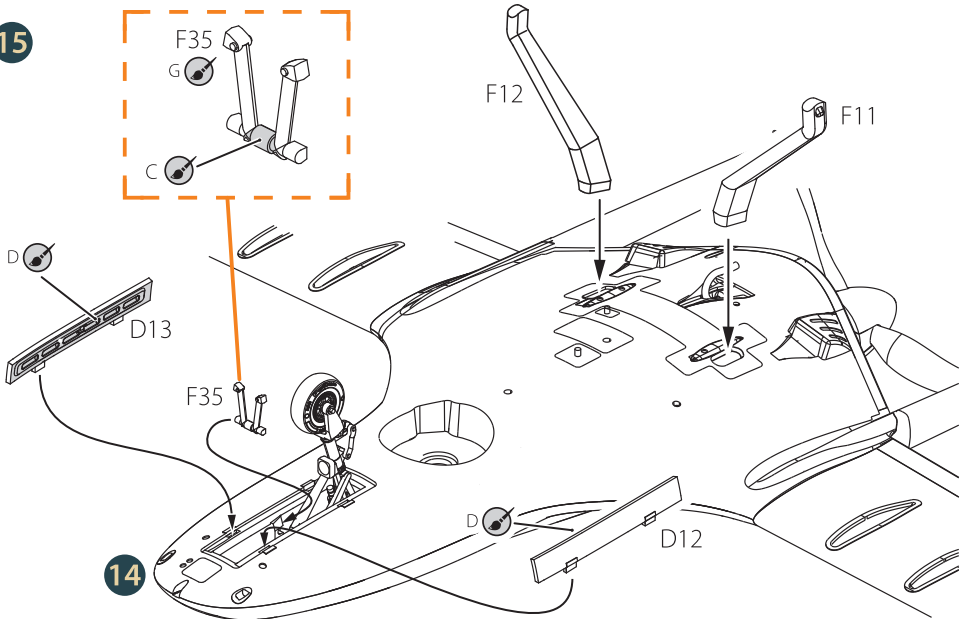




6

7

8

9

10


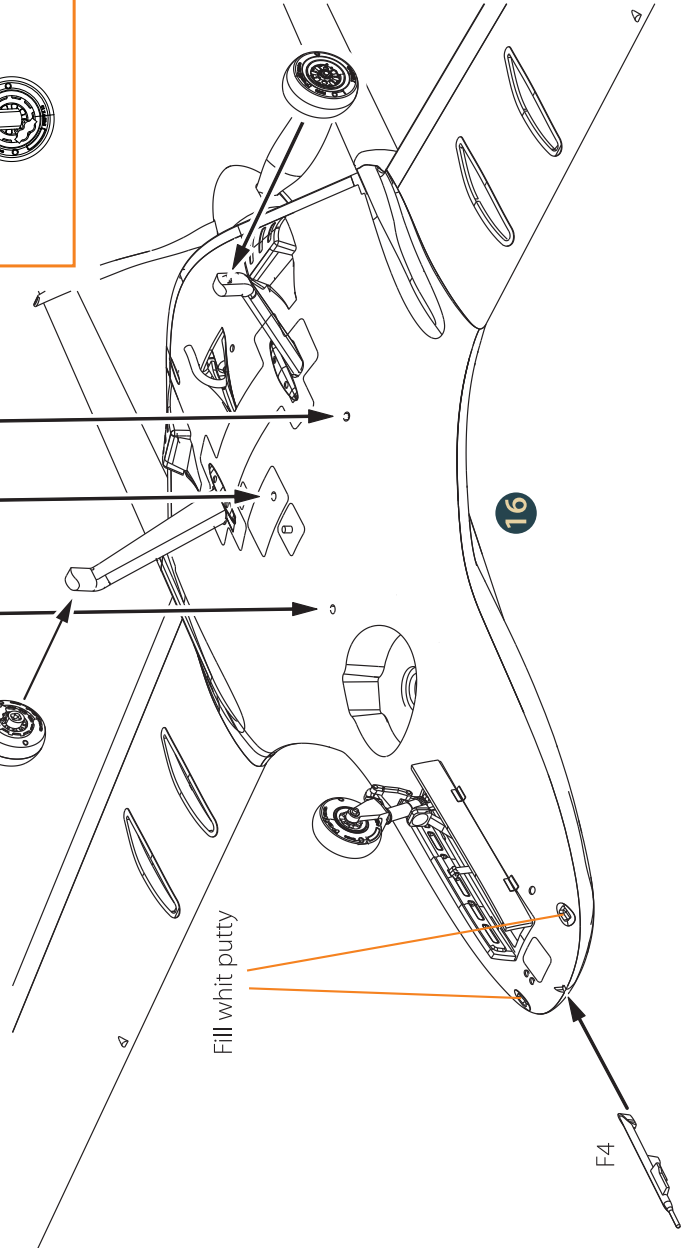
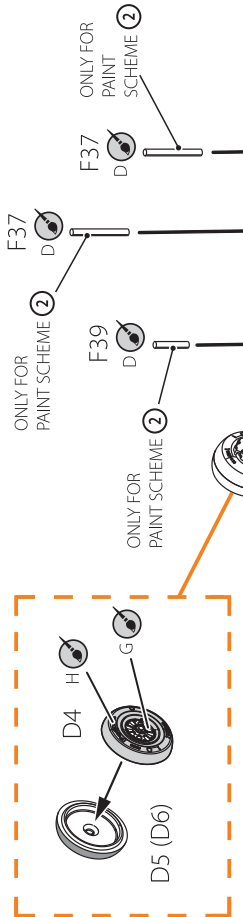
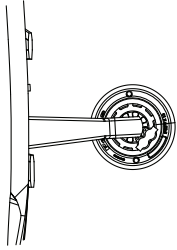




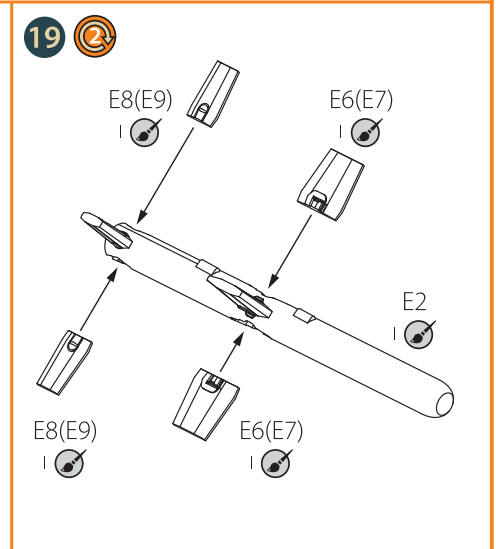
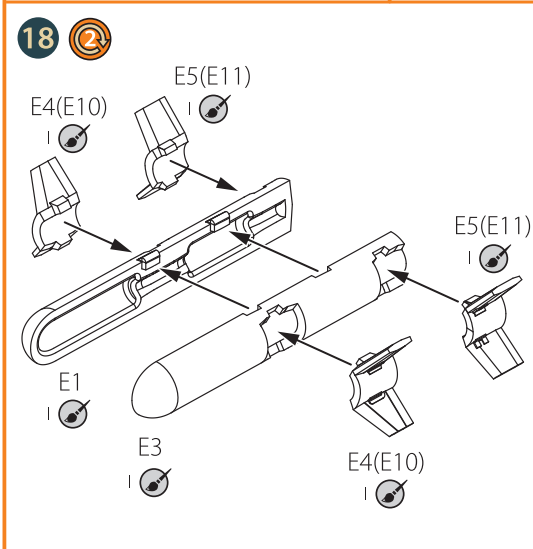
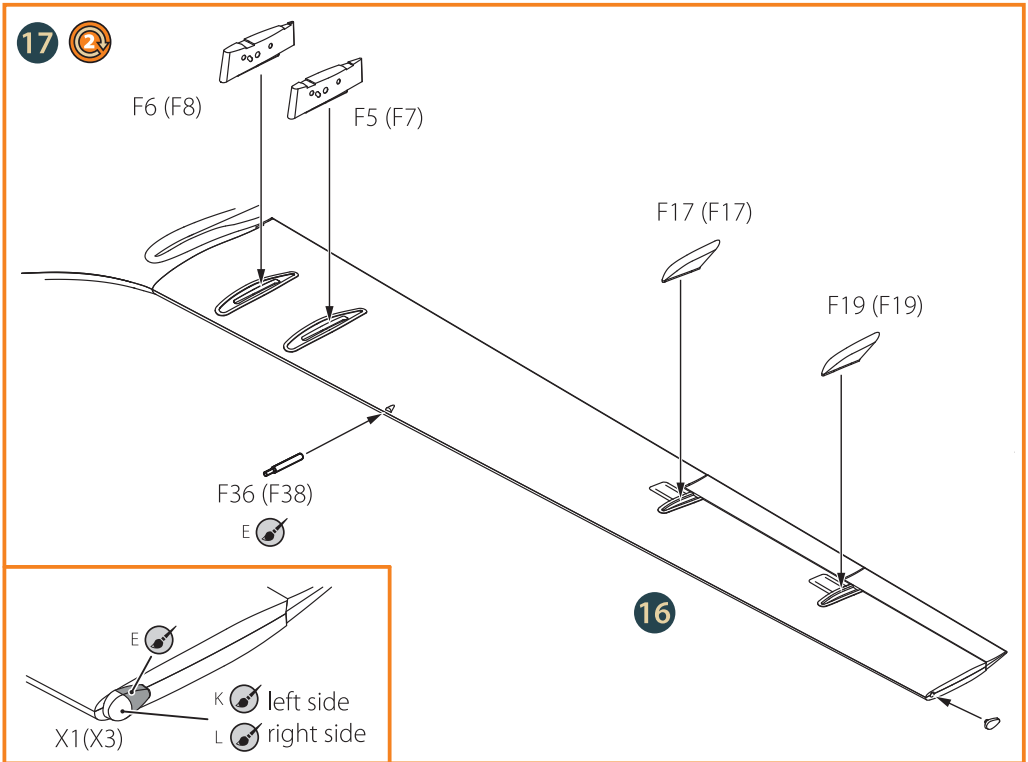
13

14

15


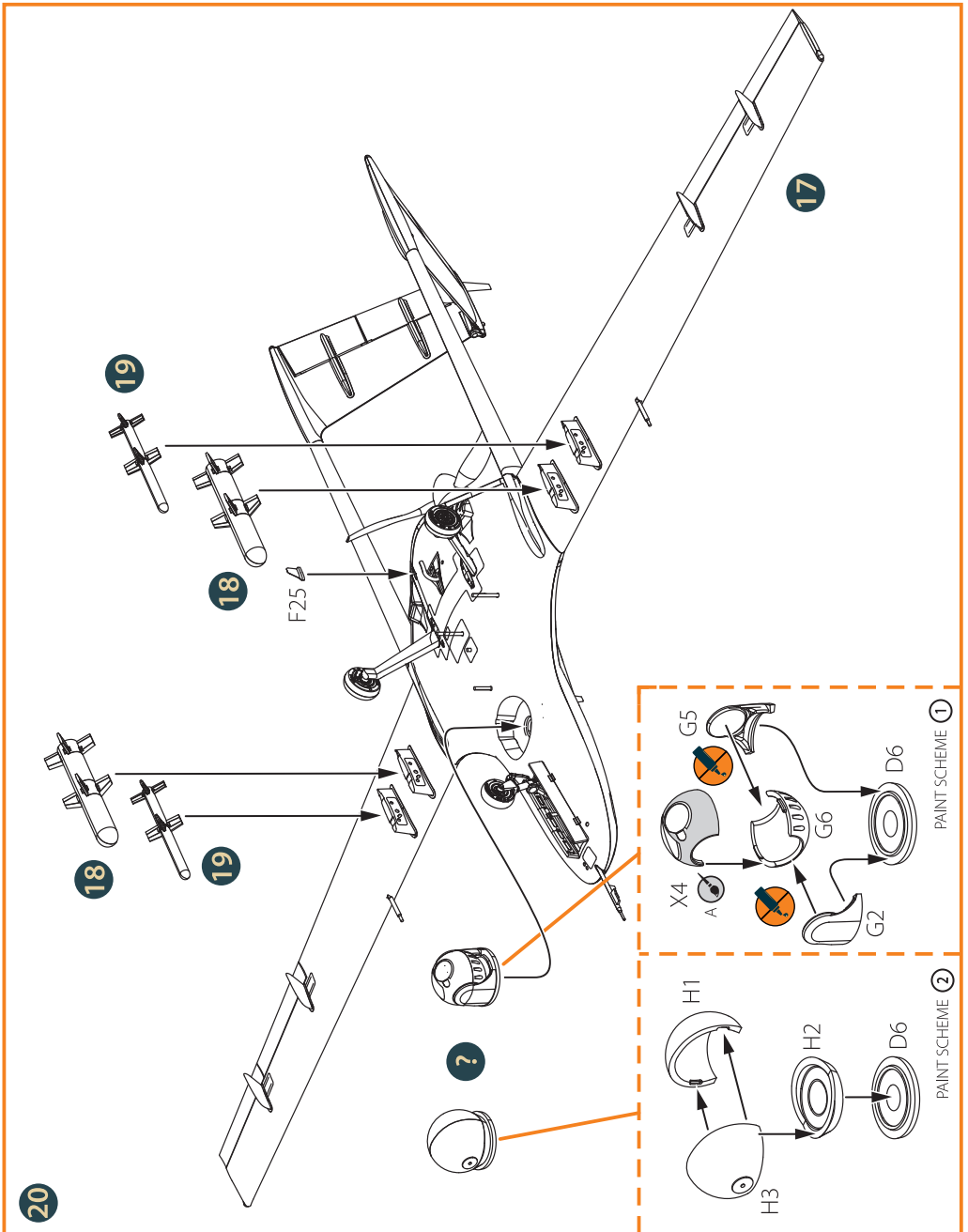
CORRECT POSITION OF
MAIN WHEEL

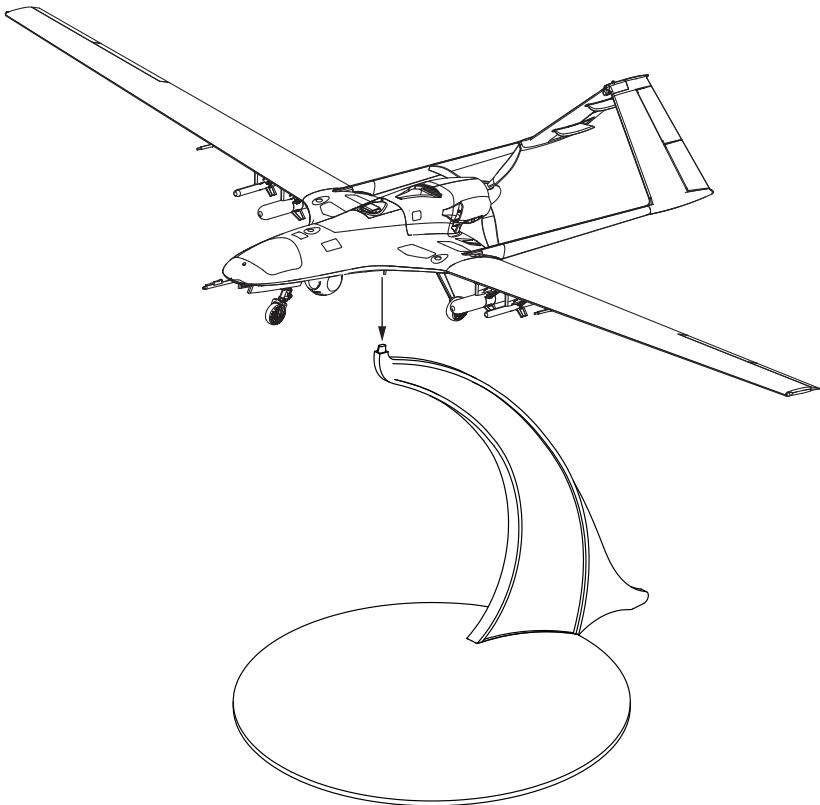
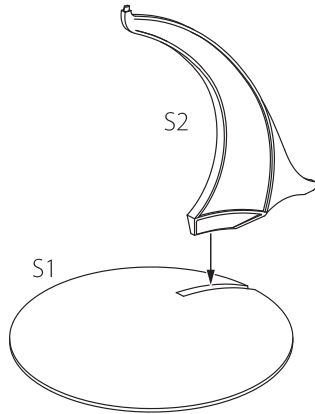
FLIGHT DIRECTION →



18









MR. COLOR
308 75% + 73 25%
A.MIG-0241
GRAY



MR. COLOR 31
A.MIG-0236
DARK GRAY



MR. COLOR 1
A.MIG-0050
WHITE



MR. COLOR 2
A.MIG-0046
BLACK



MR. COLOR 18
A.MIG-0191
POLISHED STEEL



MR. COLOR 8
A.MIG-0195
SILVER

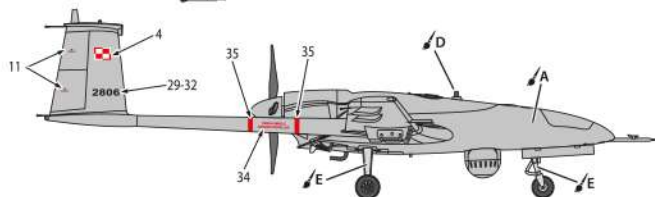
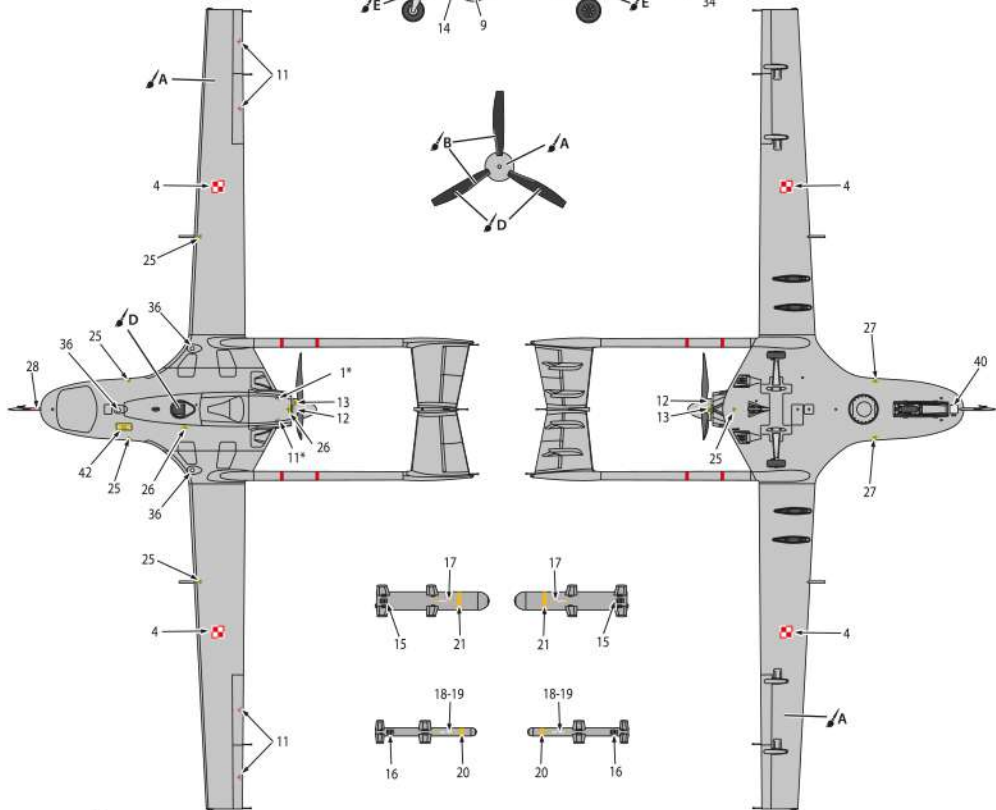
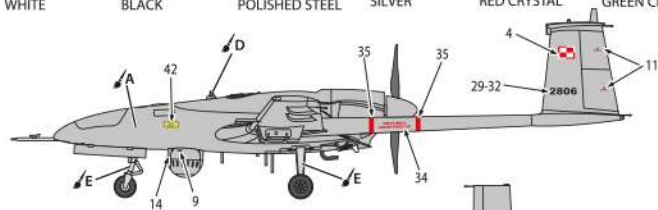


A.MIG-0093
MR. COLOR C47
RED CRYSTAL

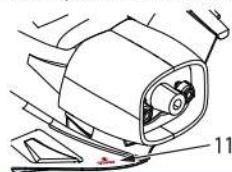


A.MIG-0092
MR. COLOR C138
GREEN CRYSTAL

① Polish Air Force, 2023



* Correct position of decals № 11





A
MR. COLOR
308 75% + 73 25%
A.MIG-0241
GRAY



B
MR. COLOR 31
A.MIG-0236
DARK GRAY



C
MR. COLOR 1
A.MIG-0050
WHITE



D
MR. COLOR 2
A.MIG-0046
BLACK



E
MR. COLOR 18
A.MIG-0191
POLISHED STEEL



G
MR. COLOR 8
A.MIG-0195
SILVER

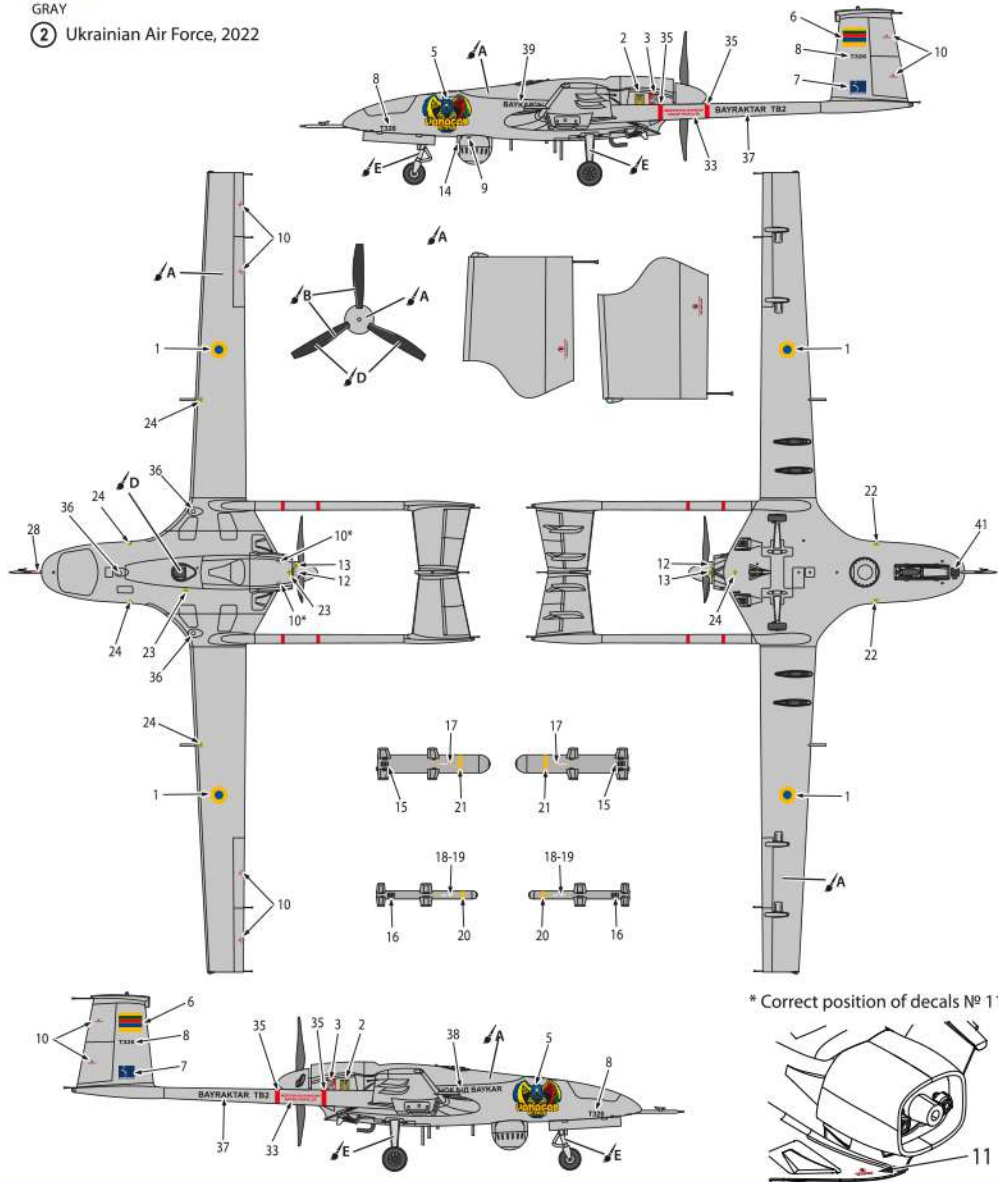


K
A.MIG-0093
MR. COLOR C47
RED CRYSTAL



L
A.MIG-0092
MR. COLOR C138
GREEN CRYSTAL

② Ukrainian Air Force, 2022





VISIT OUR SITE FOR MORE SCALE MODEL KITS

clearpropmodels.com



sales@clearpropmodels.com



www.fb.com/Clearpropmodels