

Clear Prop!

ADVANCED



ZIS-5V

1:72

model # CP72043



scale model kit

LENGTH: 84,1 mm



WIDTH: 30,1 mm



NUMBER OF PARTS: 118 pcs

- stages of assembly
- optional
- variants of assembly
- glue by super glue
- part number
- do not glue
- fill with putty
- make a hole
- apply decals
- detach with knife
- apply the adhesive mask
- paint
- bend
- repeat the operation N times

This soviet truck was a simplified version of the AMO-3/ZIS-5 multipurpose vehicle, based on the components of the U.S.-made Autocar Dispatch SA truck. It had a load capacity of 3,000 kilograms. The Cyrillic letter "B" (pronounced as V) in the vehicle index stands for "voenny" ("military"). However, it refers to the war-time period of manufacture, when fewer and simpler parts were used for higher cost-effectiveness, rather than a specific set of military equipment.

In October 1941, the ZIS-5 production line was moved to the Ural region. Initially, the trucks were manufactured in Ulyanovsk, and later in Miass, both subject to severe austerity measures. The truck's design was significantly modified, for instance the shape of the fenders was altered to rule out press forging. Front brakes, engine pan protection, and metal cabin step covers were discarded. A single headlight was often installed, and there was no horn. The original cabin was replaced with a structure made from wooden planks, and the cargo platform was simplified, with only swing tailgate left.

By the summer of 1942, when the capture of Moscow did not seem such a dire threat anymore, the assembly and repair of ZIS-5 trucks was partially resumed at the Moscow plant. ZIS-5B trucks made by different factories during various production phases would often have major distinctions. The wheels of ZIS-5 were the same as those of American trucks, which is why the military variants were equipped with lend-lease Firestone tires with a "chevron" tread pattern.

The ZIS-5B was produced at the ZIS factory from 1942 to 1946 (126,215 units, of which 66,900 during the war years), at the Ulyanovsk ZIS factory from 1942 to 1944 (10,400 units), and at the Ural ZIS factory from 1944 to 1947 (8,500 during the war years). A total of 84,100 units were produced during the war.

REQUIRED PAINTS



A.MIG-0046
BLACK



A.MIG-0019
GREEN 4B0



A.MIG-0033
TIRE BLACK



A.MIG-0191
BURNT METALL



A.MIG-0195
SILVER



A.MIG-0194
AlAl SILVER
ALUMINIUM

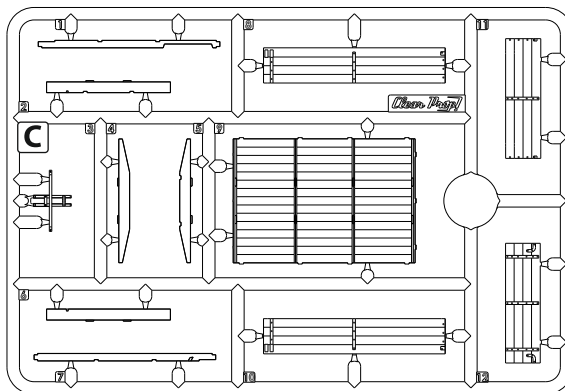
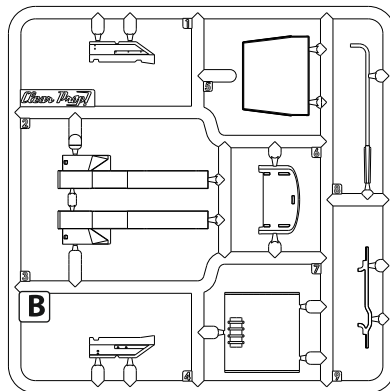
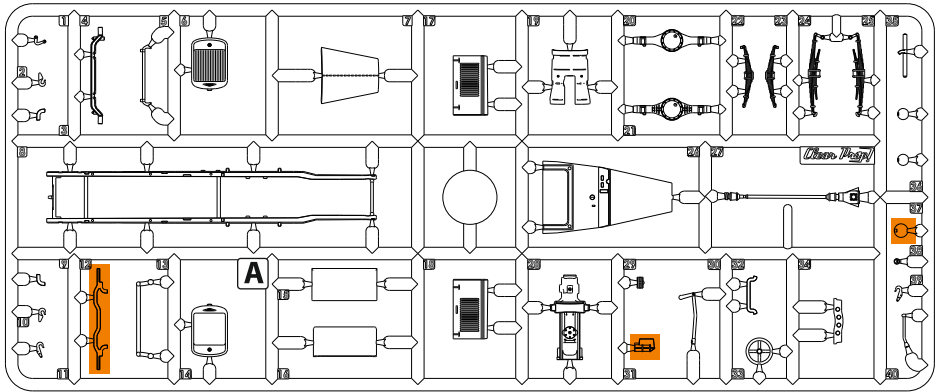


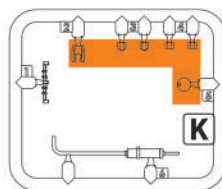
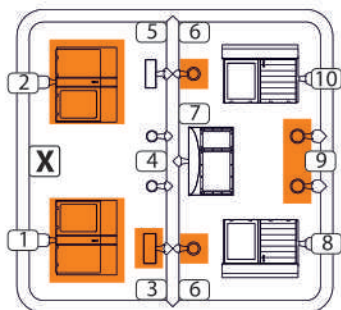
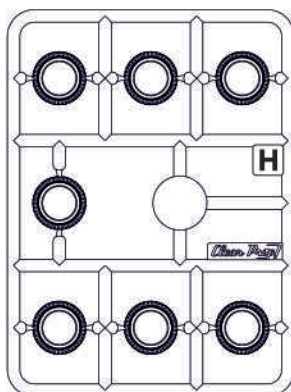
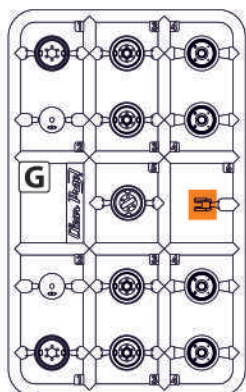
A.MIG-0093
RED CRYSTAL



AMMO
by MIG Jimenez

THIS MODEL IS PRODUCED FOR EXPERIENCED MODELERS OVER 14 YEARS

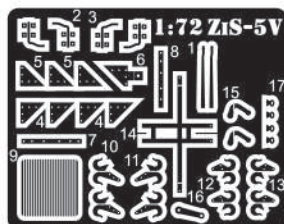
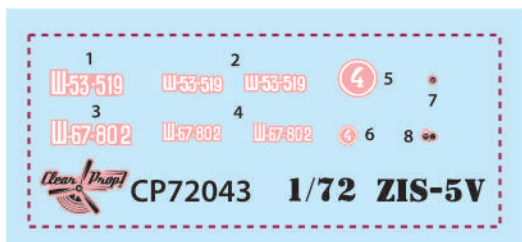


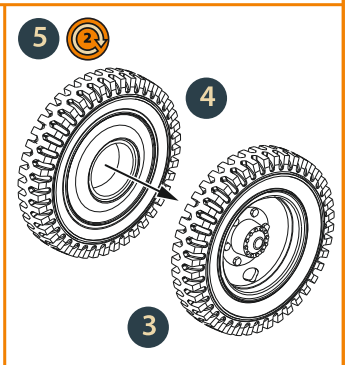
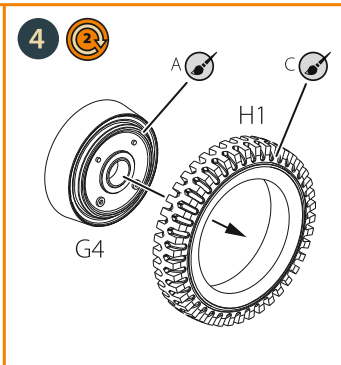
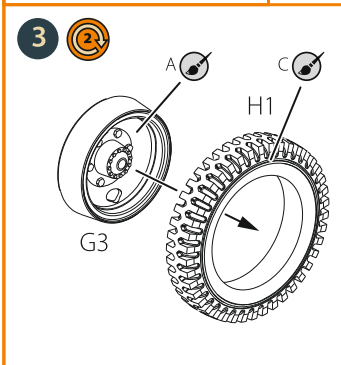
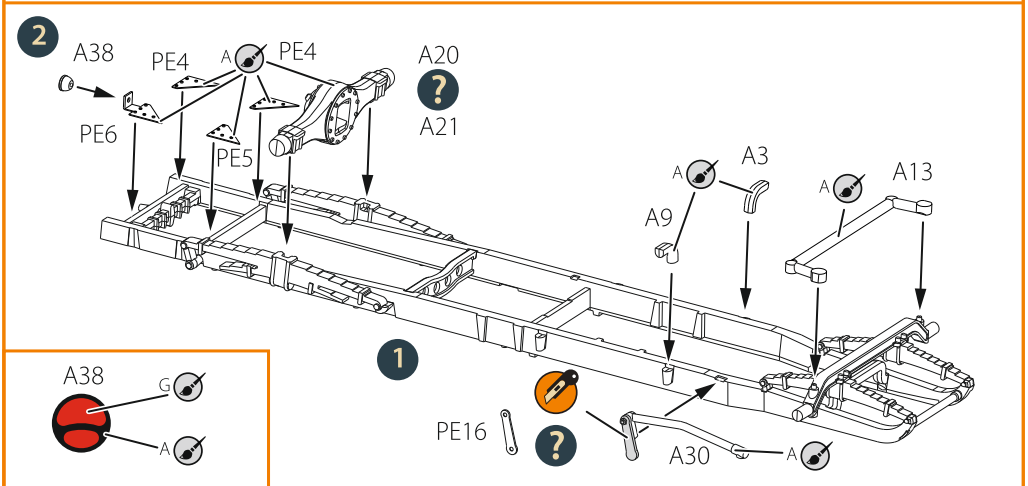
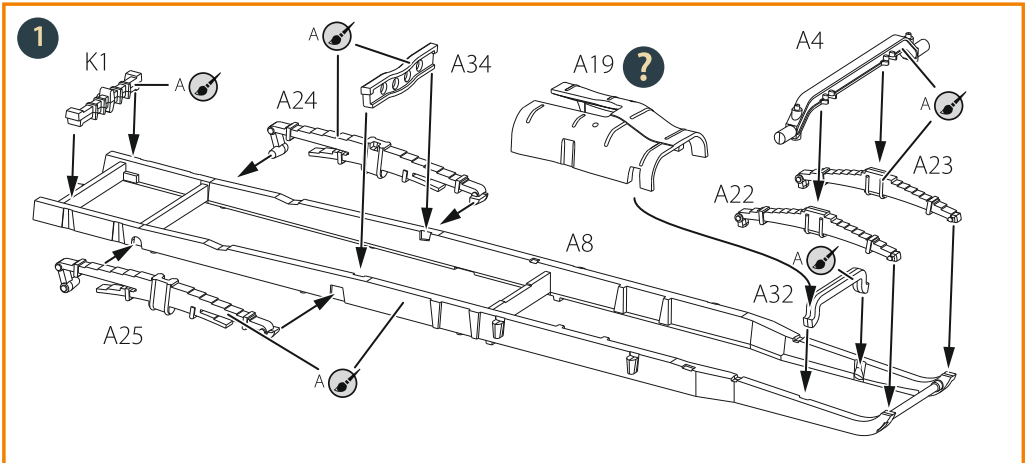


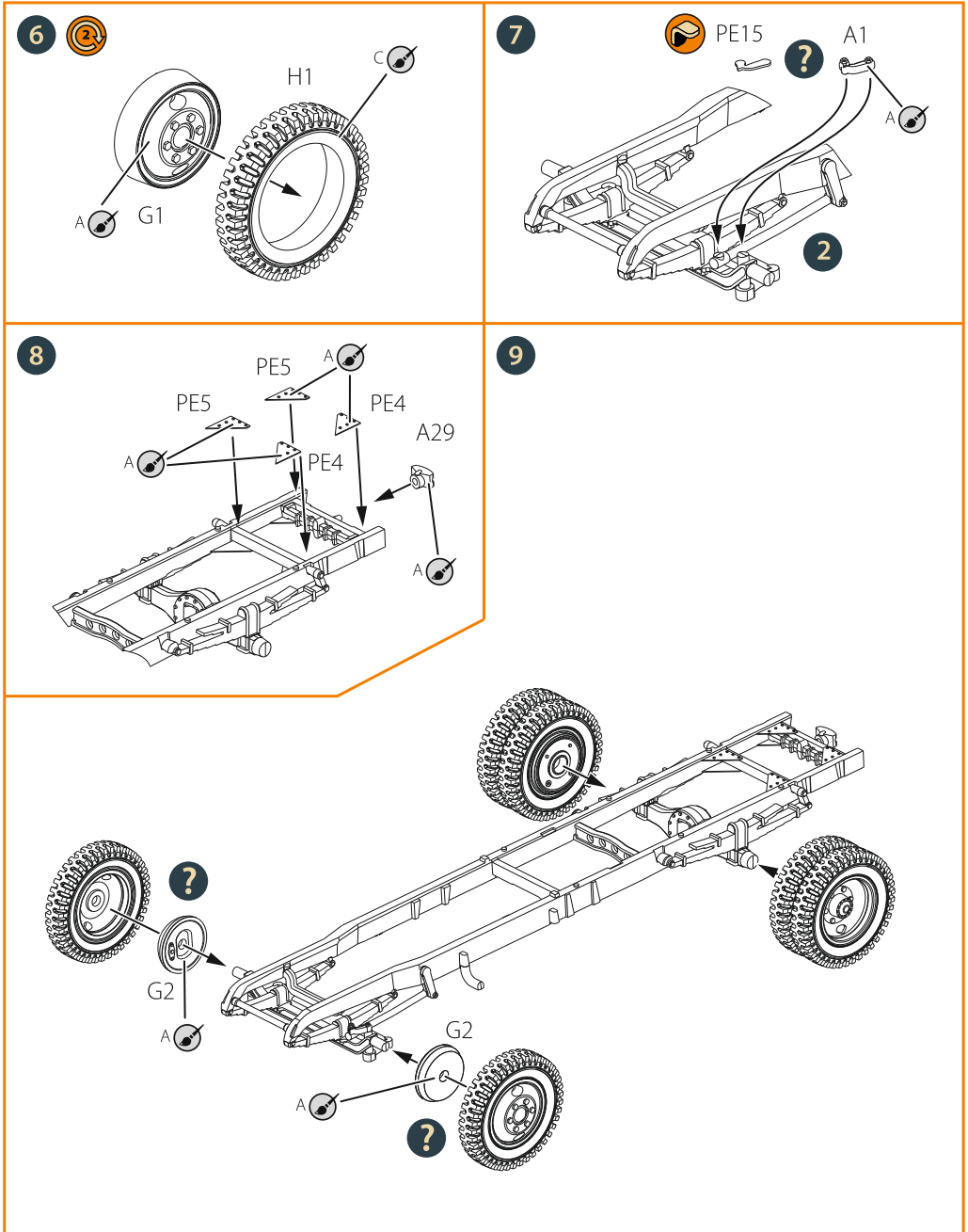
Parts not for use

DECAL SHEET

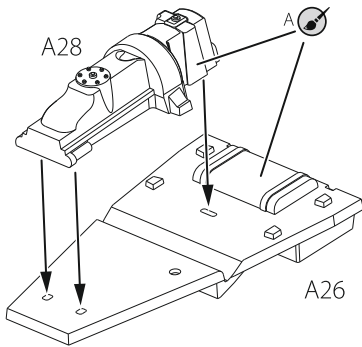
PHOTOETCHED PARTS



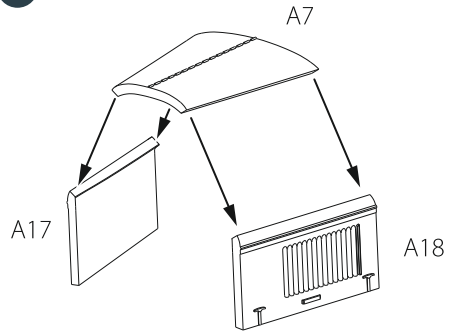




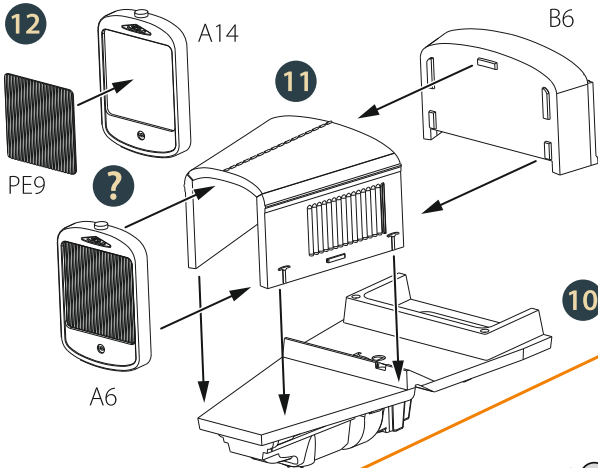
10



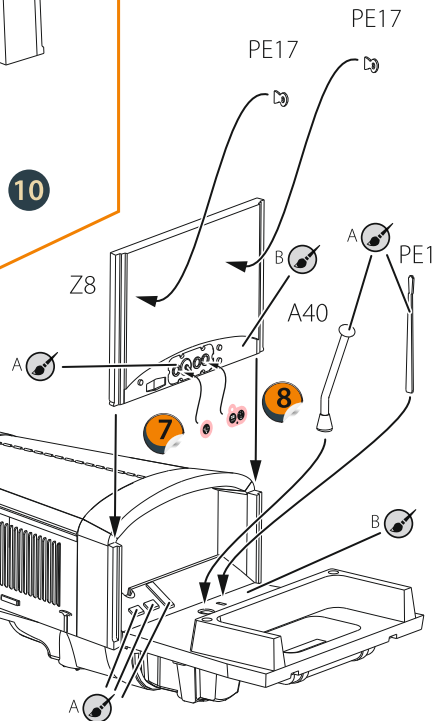
11



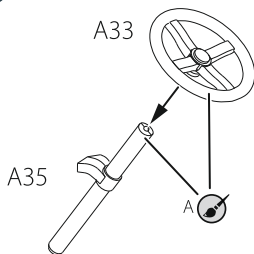
12



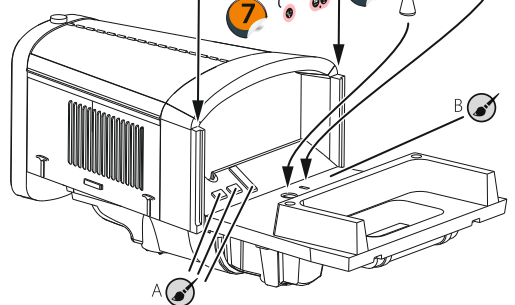
13

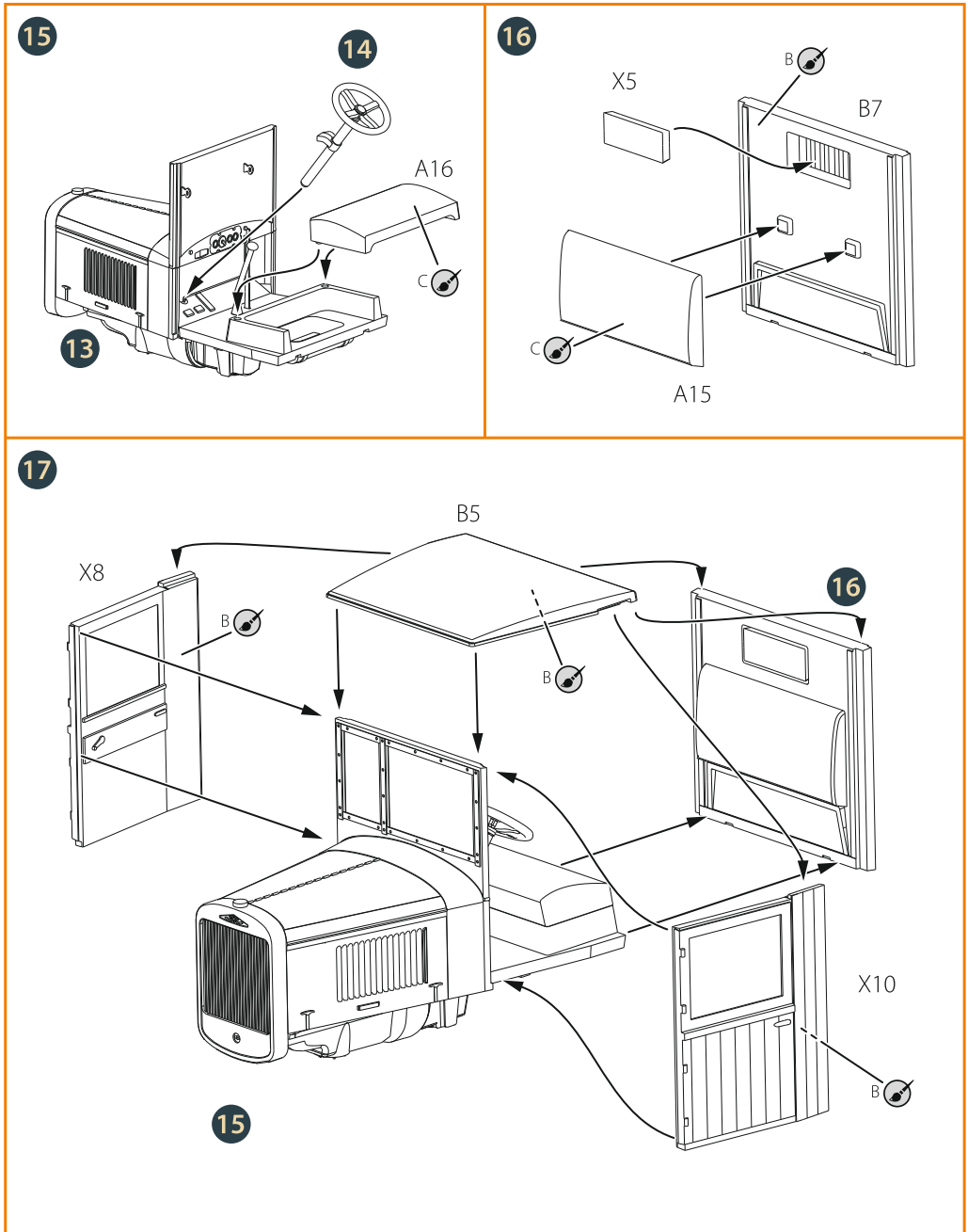


14

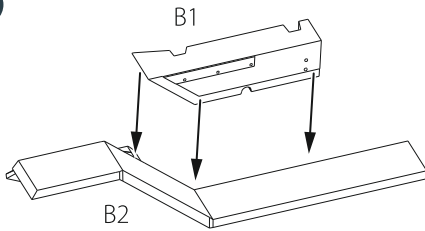


12

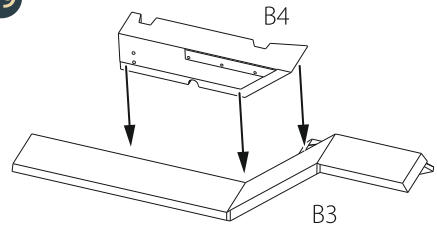




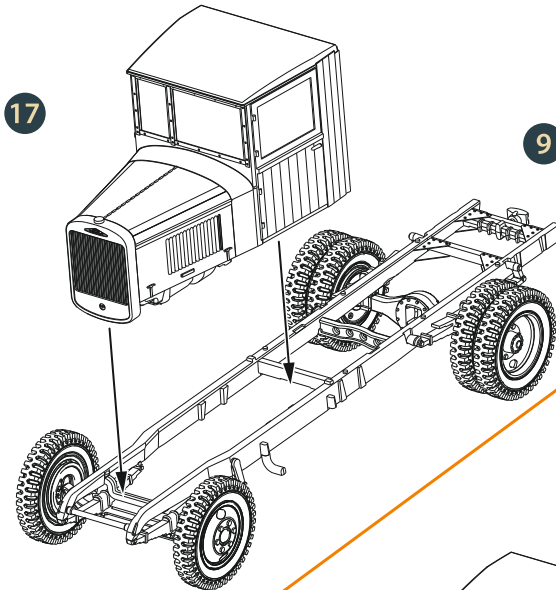
18



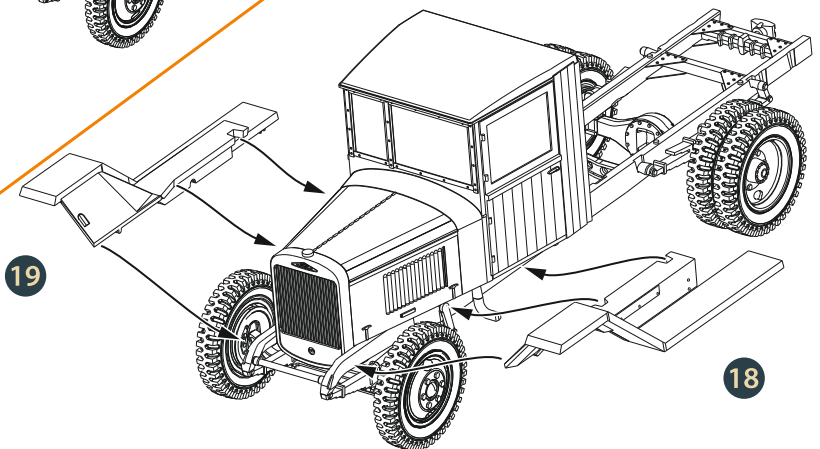
19



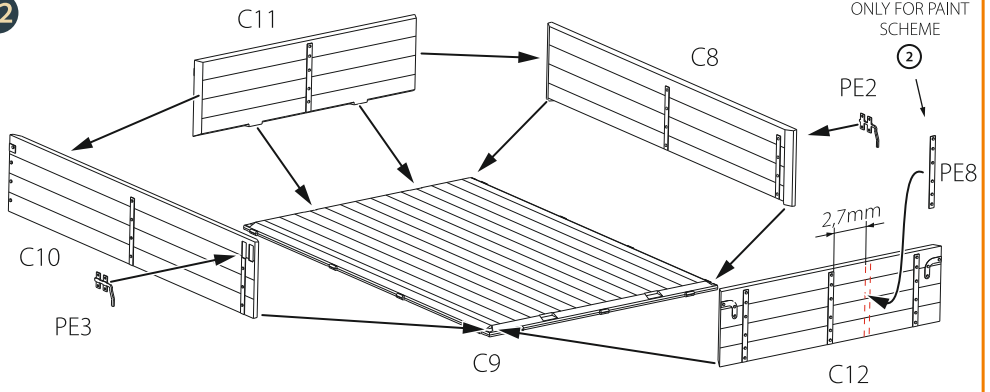
20



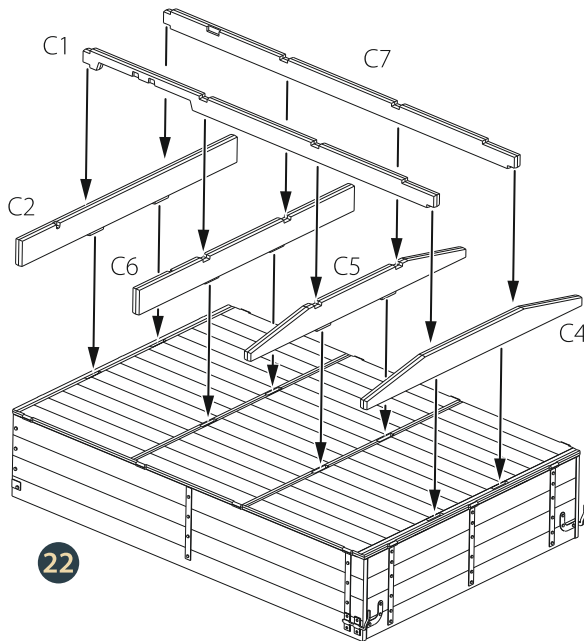
21



22

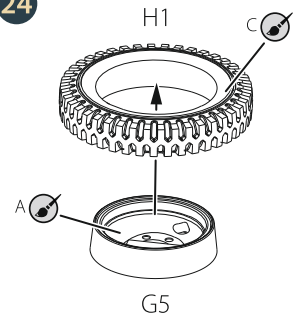


23

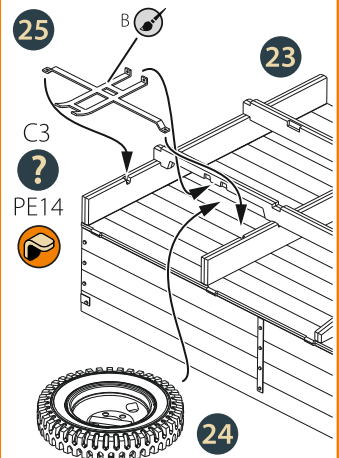


22

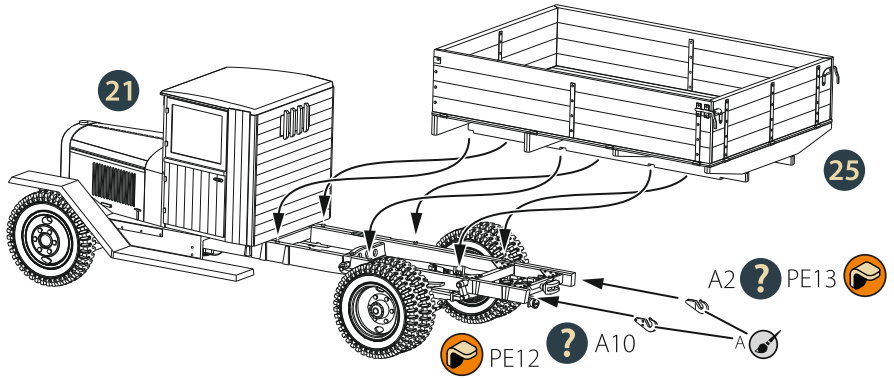
24



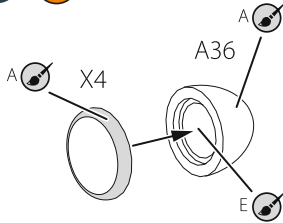
25



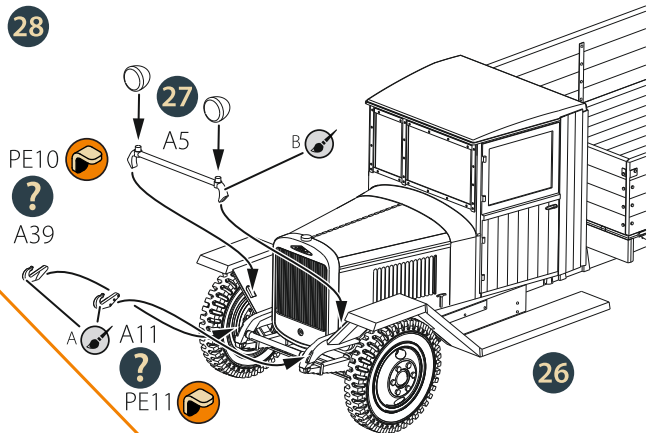
26



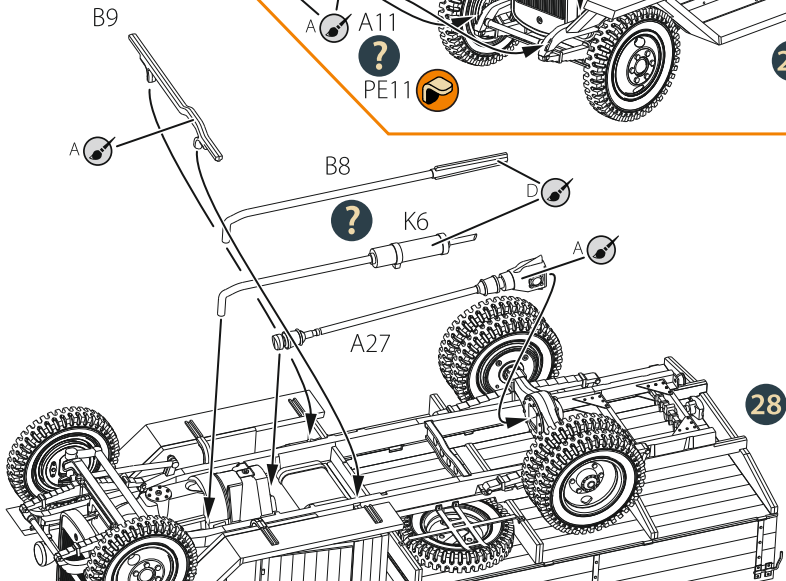
27



28



29





A.MIG-0046
BLACK



A.MIG-0931
GREEN 480



A.MIG-0033
TIRE BLACK



A.MIG-0191
BURNT METALL



A.MIG-0195
SILVER

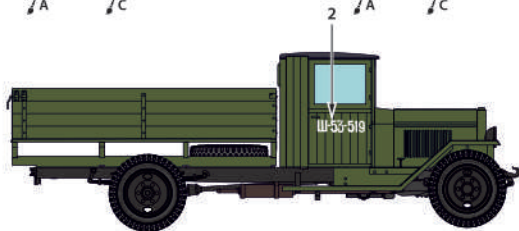
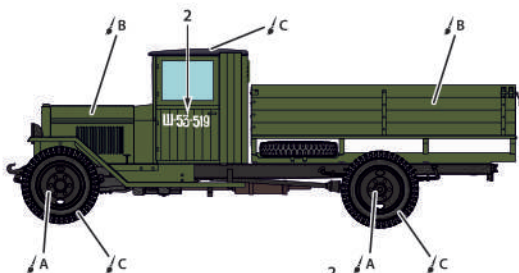


A.MIG-0194
Ailal SILVER
ALUMINIUM

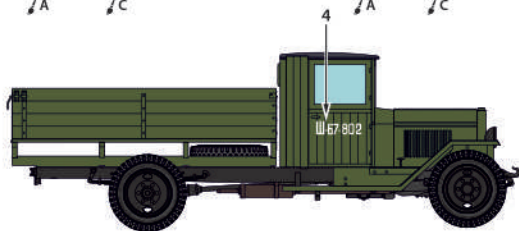
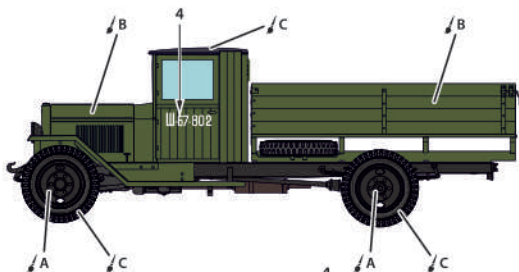
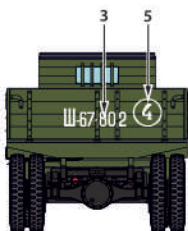


A.MIG-0093
RED CRYSTAL

① ZIS-5V. 1 st Ukrainian Front, Königsberg, April 1945



② ZIS-5V. 1 st Ukrainian Front, Berlin, April 1945





clearpropmodels.com

MORE SCALE MODEL KITS 

VISIT OUR SITE FOR MORE SCALE MODEL KITS
clearpropmodels.com



 sales@clearpropmodels.com
 www.fb.com/Clearpropmodels