



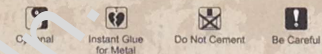
AMIG		Color Name
0046	A	Black
0050	B	Silver
0902	C	Dunkelgelb
0014	D	Rotbraun
0001	E	Olivgrün
0008	F	White
0133	G	Leather
0045	H	Gun Metal
0036	I	Wood
0092	J	Transparent Green

AMIG		Color Name
0049	K	Red
0268	L	Hellgrau
F513	M	Field Grey
0042	N	Rust
0033	O	Rubber
0132	P	Canvas
0062	Q	Blue Grey
0913	R	Bakelit
0035	S	Dark Tracks
0008	T	Dunkelgrau

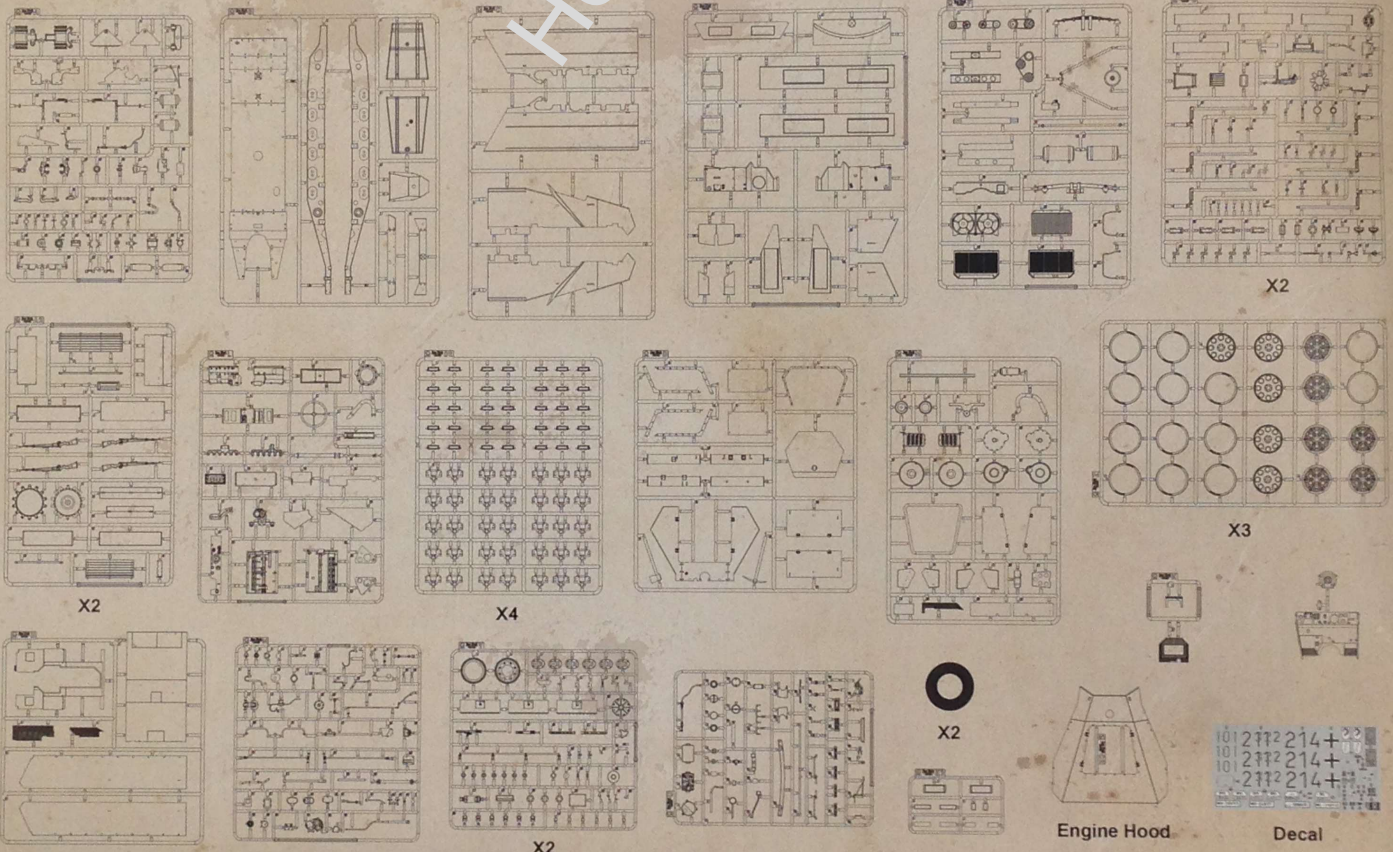
READ BEFORE ASSEMBLY

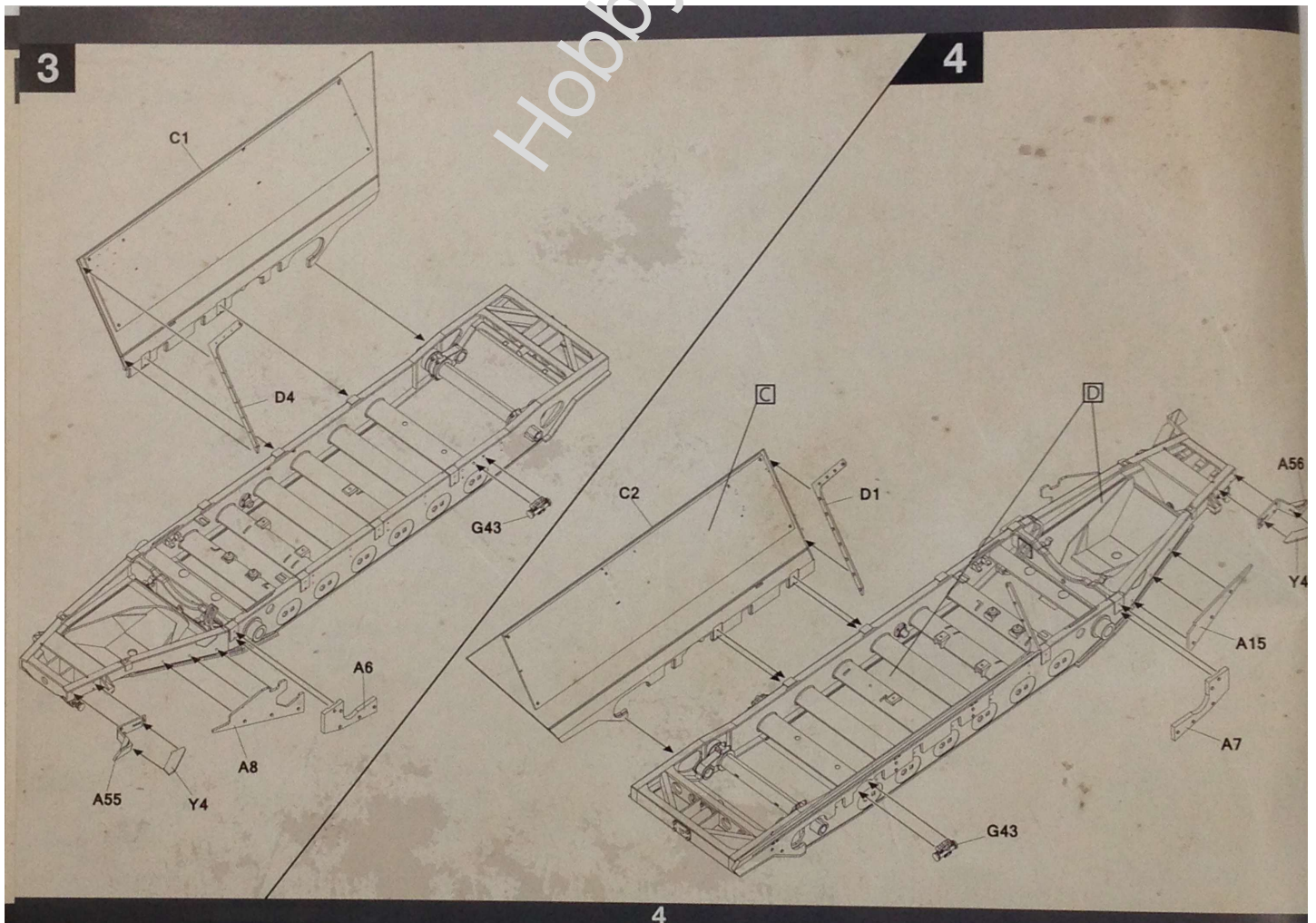
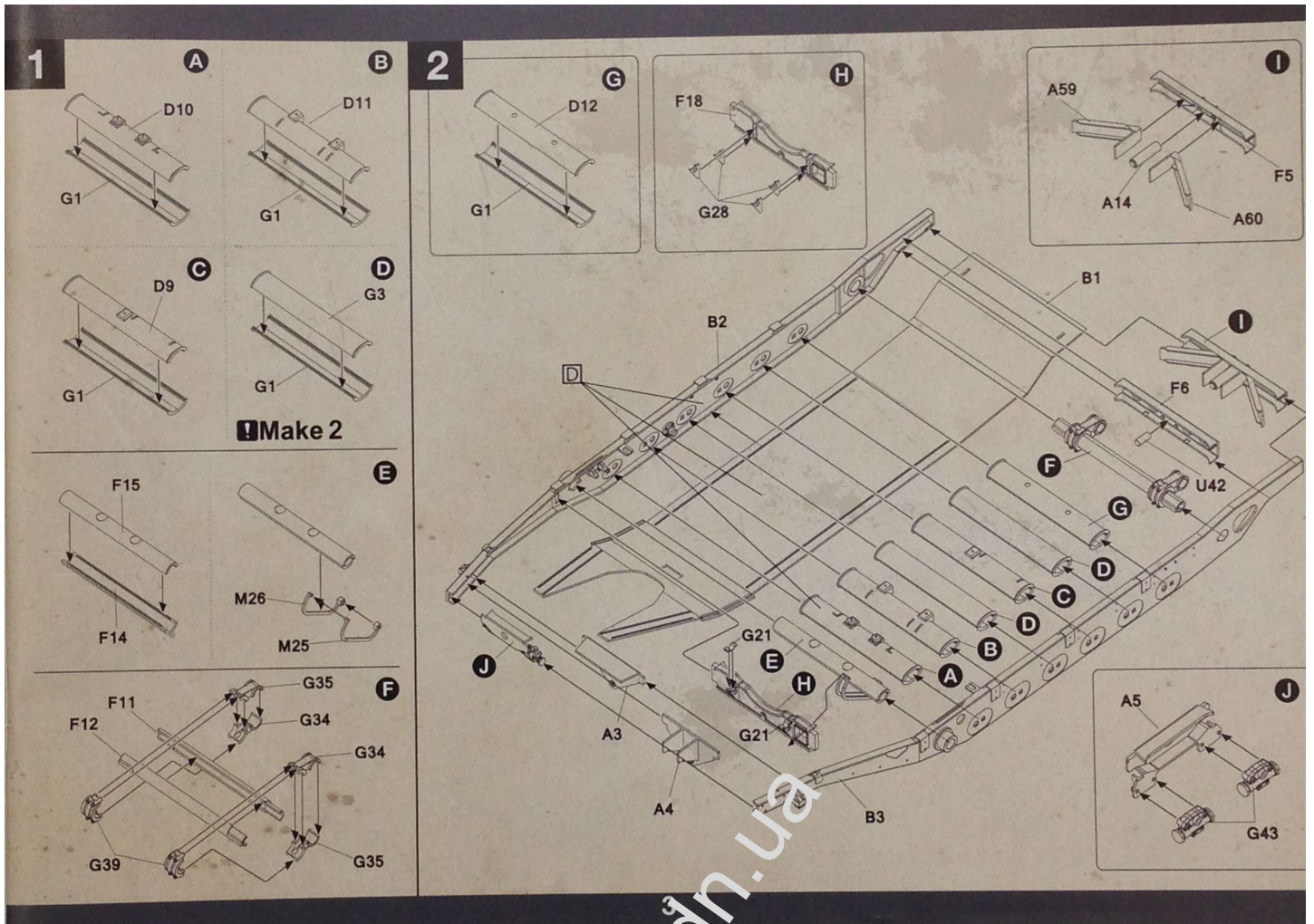
CAUTION

- Read carefully and fully understand the instructions before commencing assembly. A supervising adult should also read the instructions if a child assembles the model.
- When assembling this kit, tools including knives used. Extra care should be taken to avoid personal injury.
- Keep out of reach of small children. Children must not be allowed to suck any part, or pull vinyl over their heads.

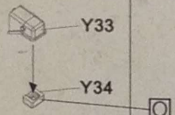


PARTS

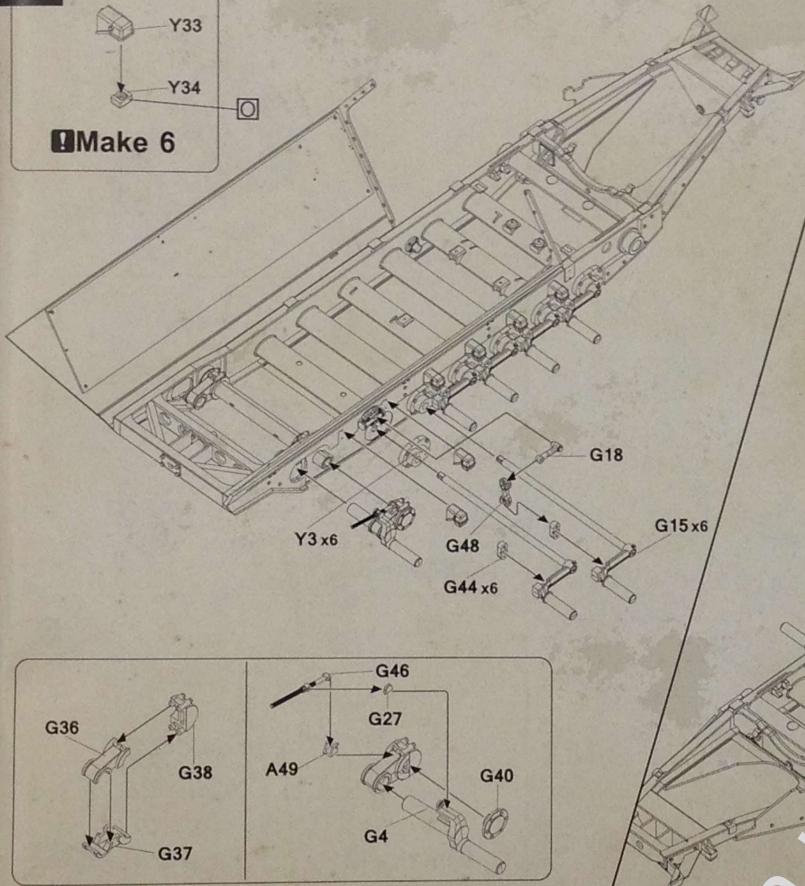




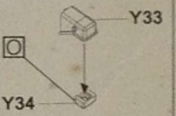
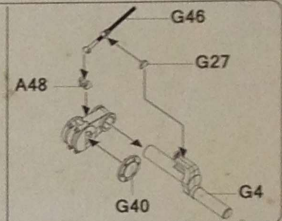
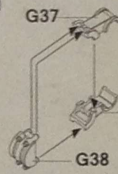
5



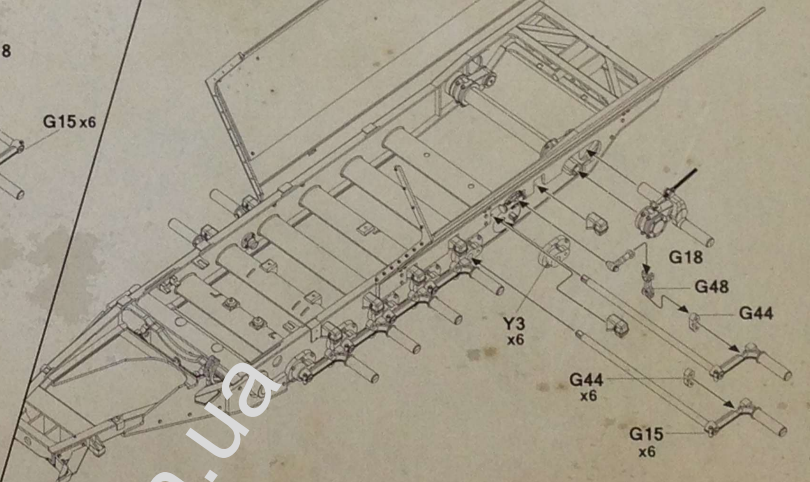
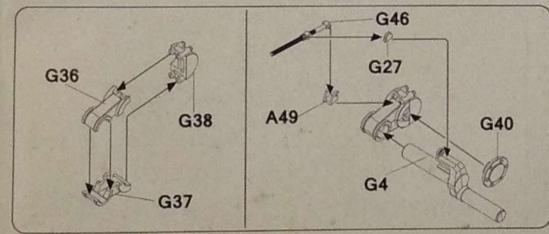
Make 6



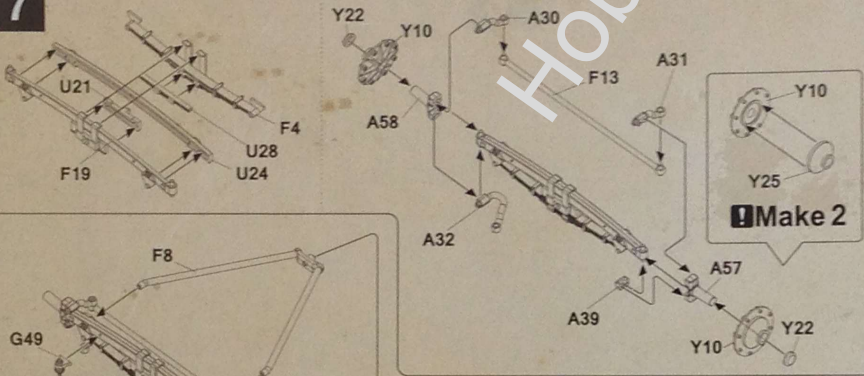
6



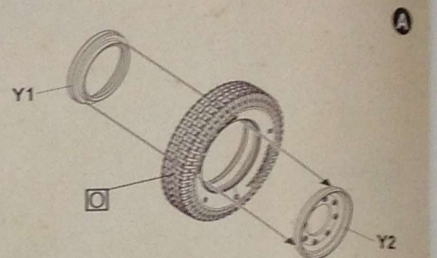
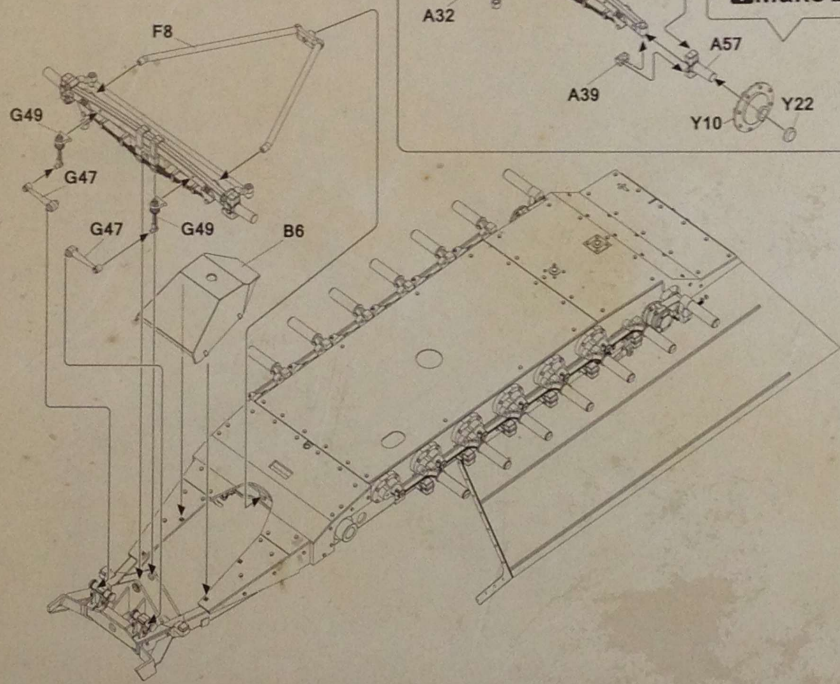
Make 6



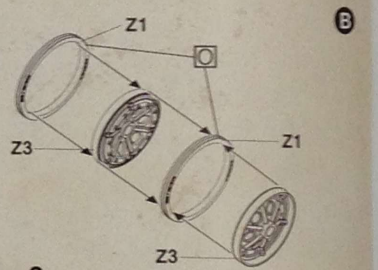
7



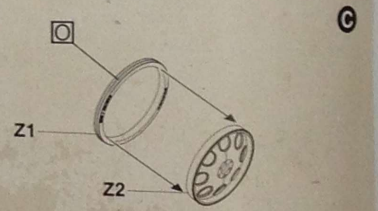
Make 2



Make 2



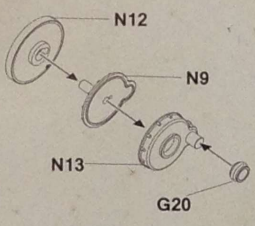
Make 8



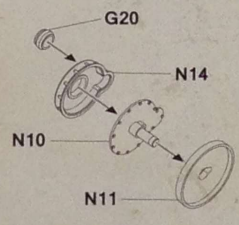
Make 12

8

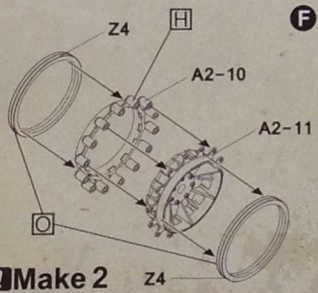
D



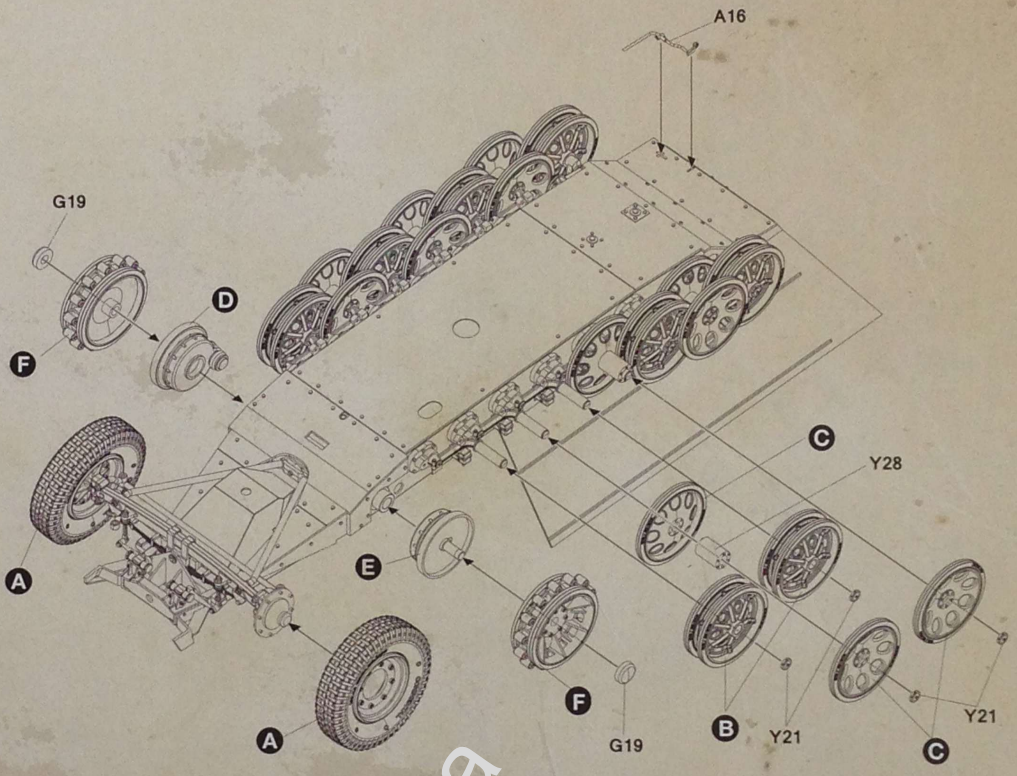
E



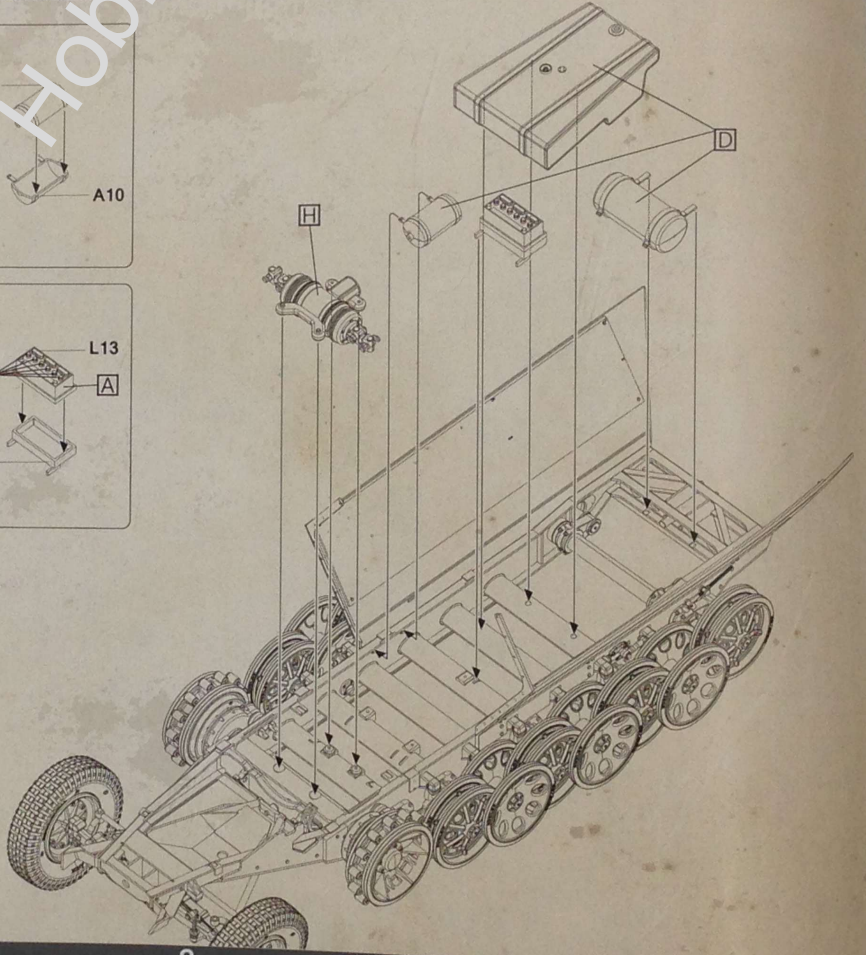
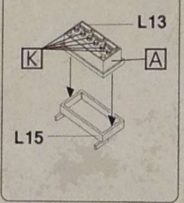
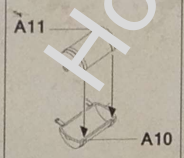
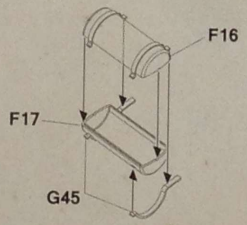
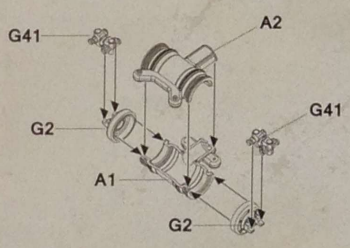
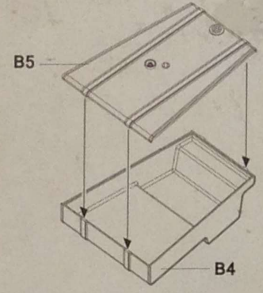
F



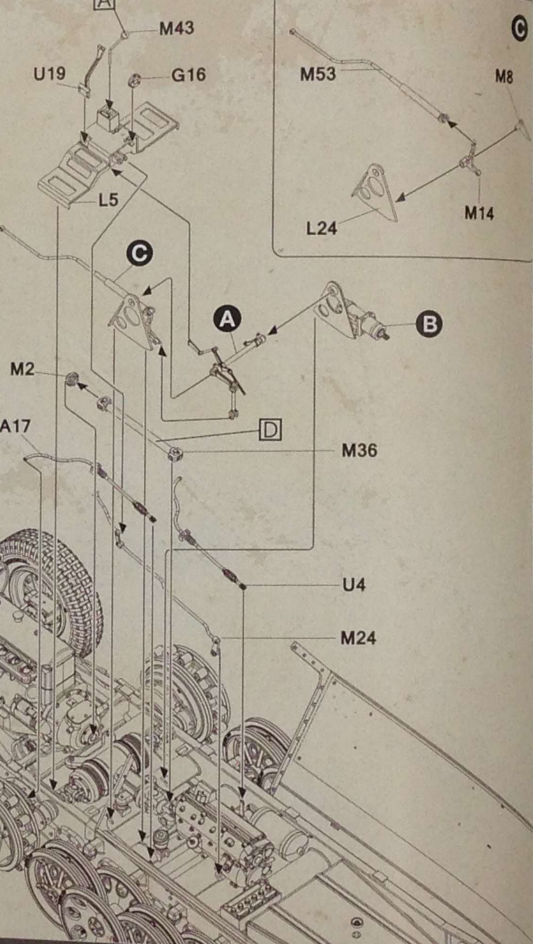
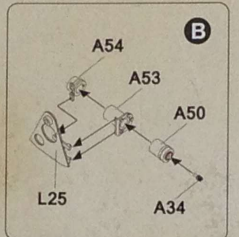
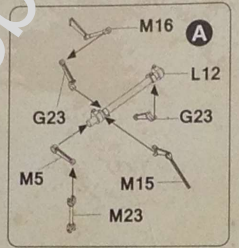
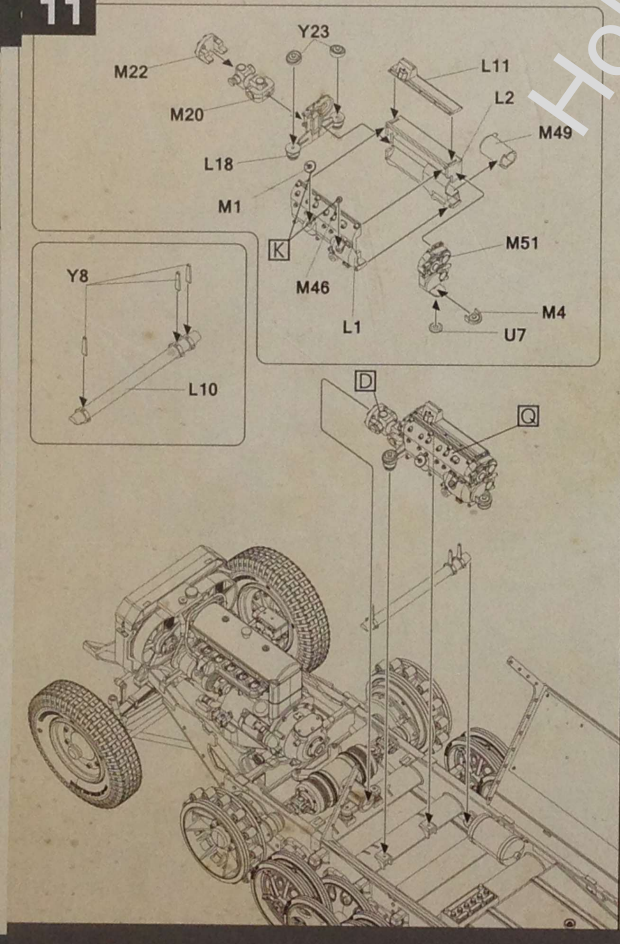
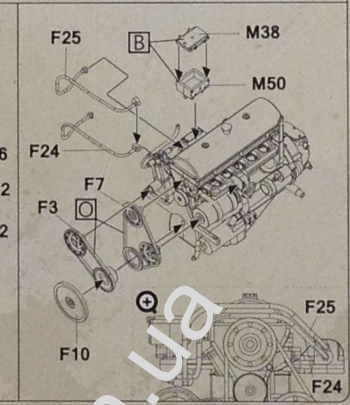
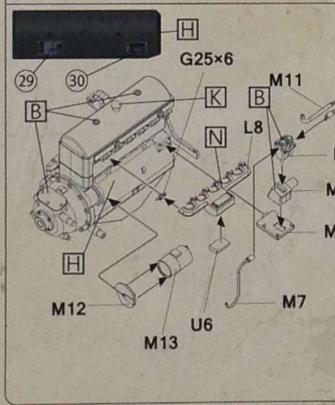
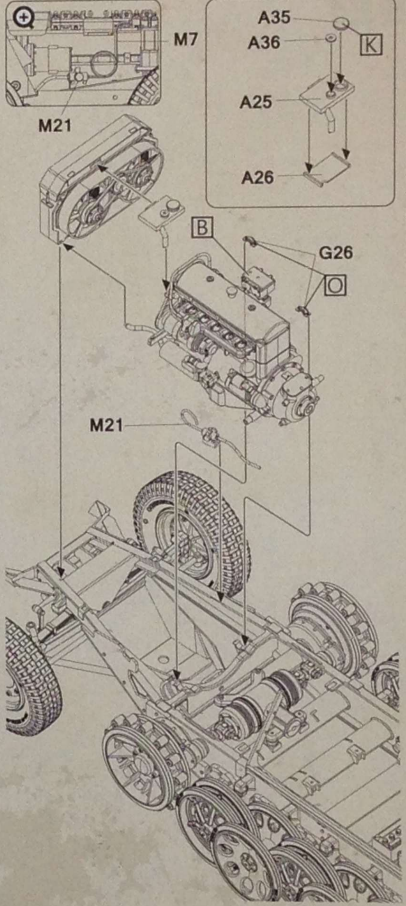
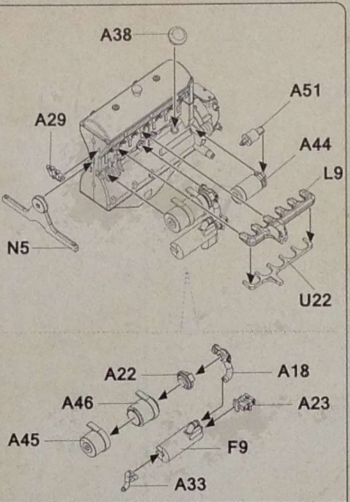
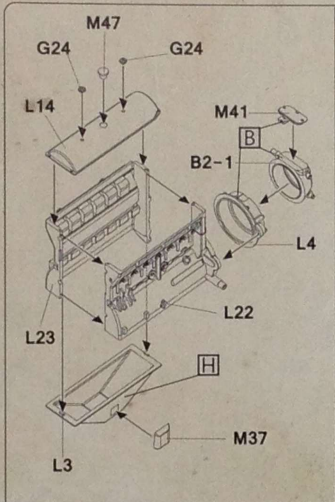
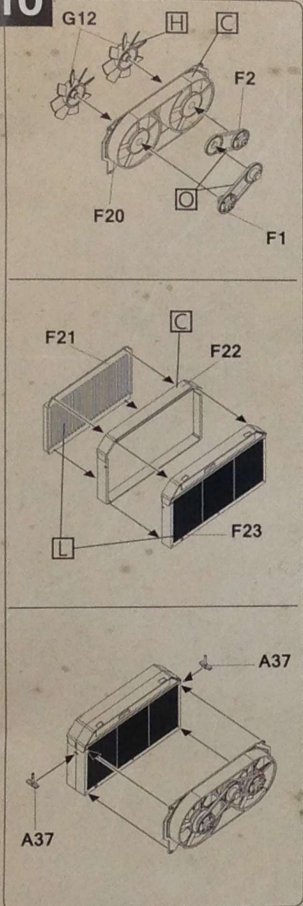
Make 2



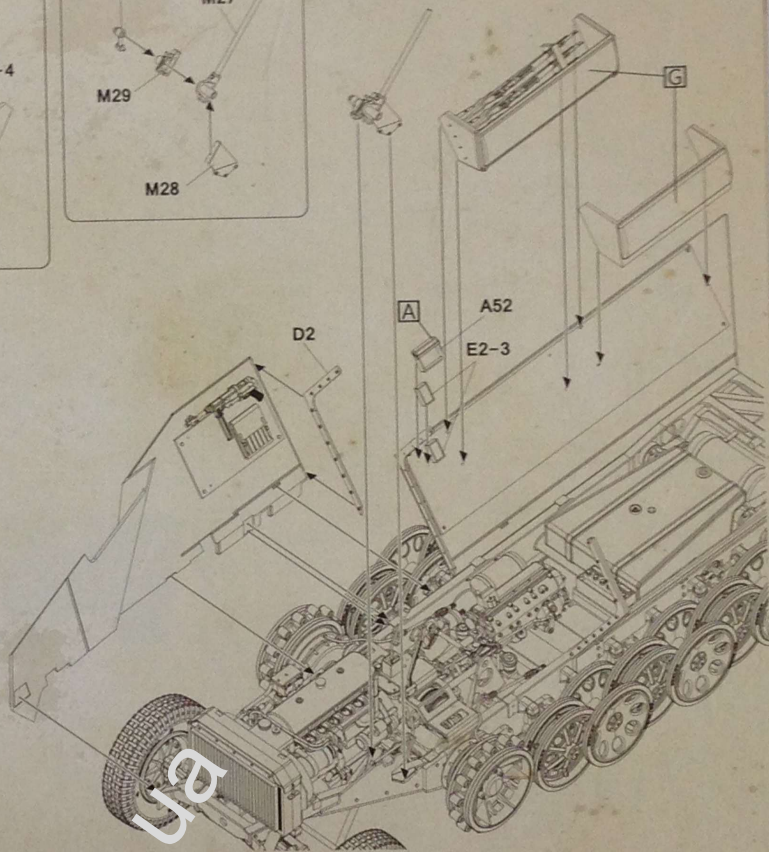
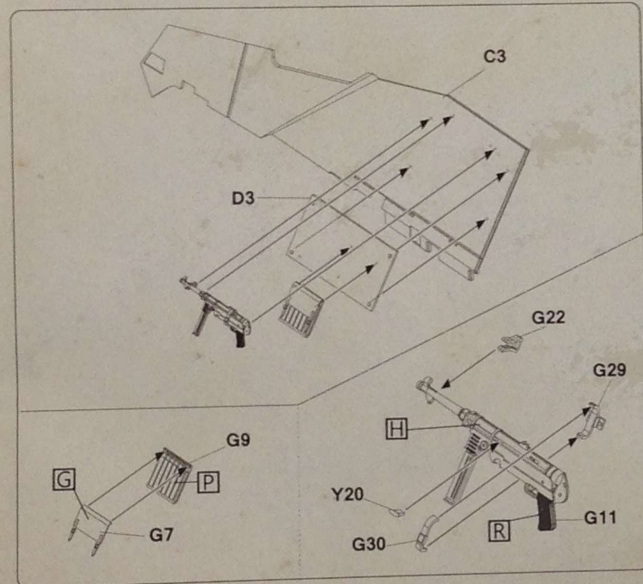
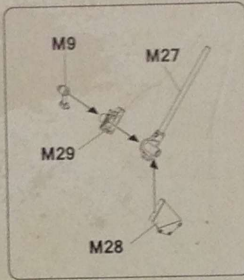
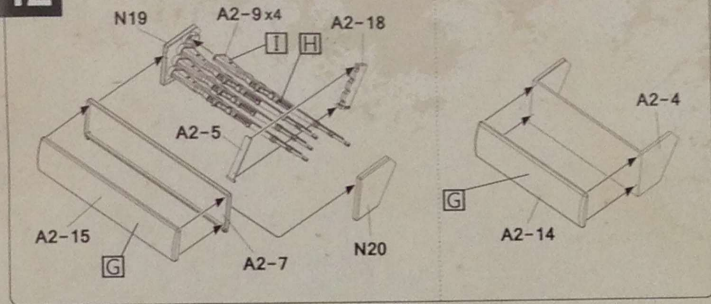
9



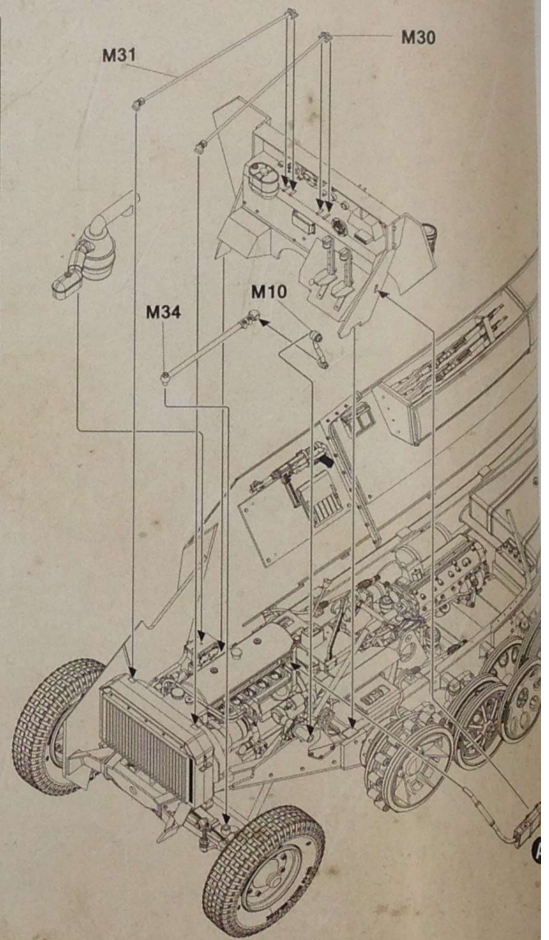
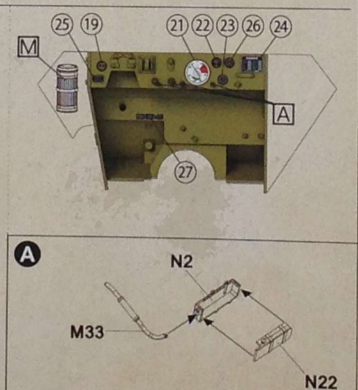
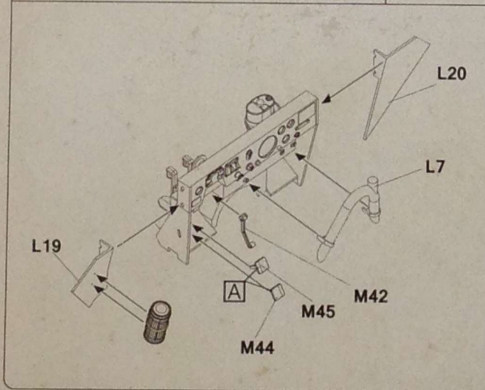
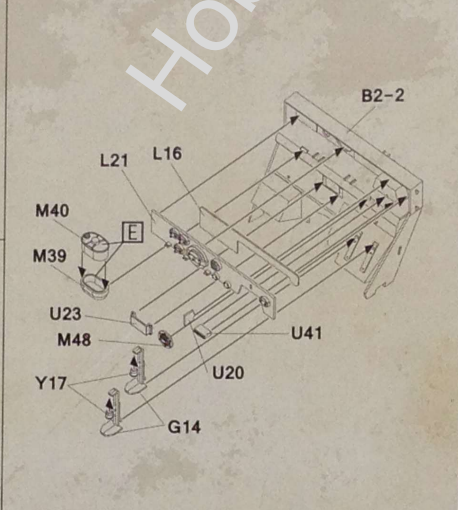
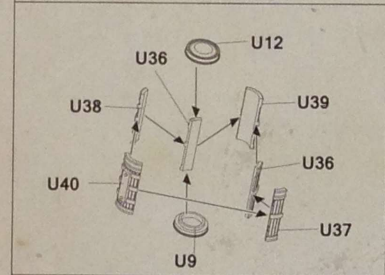
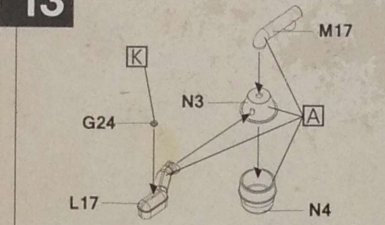
8

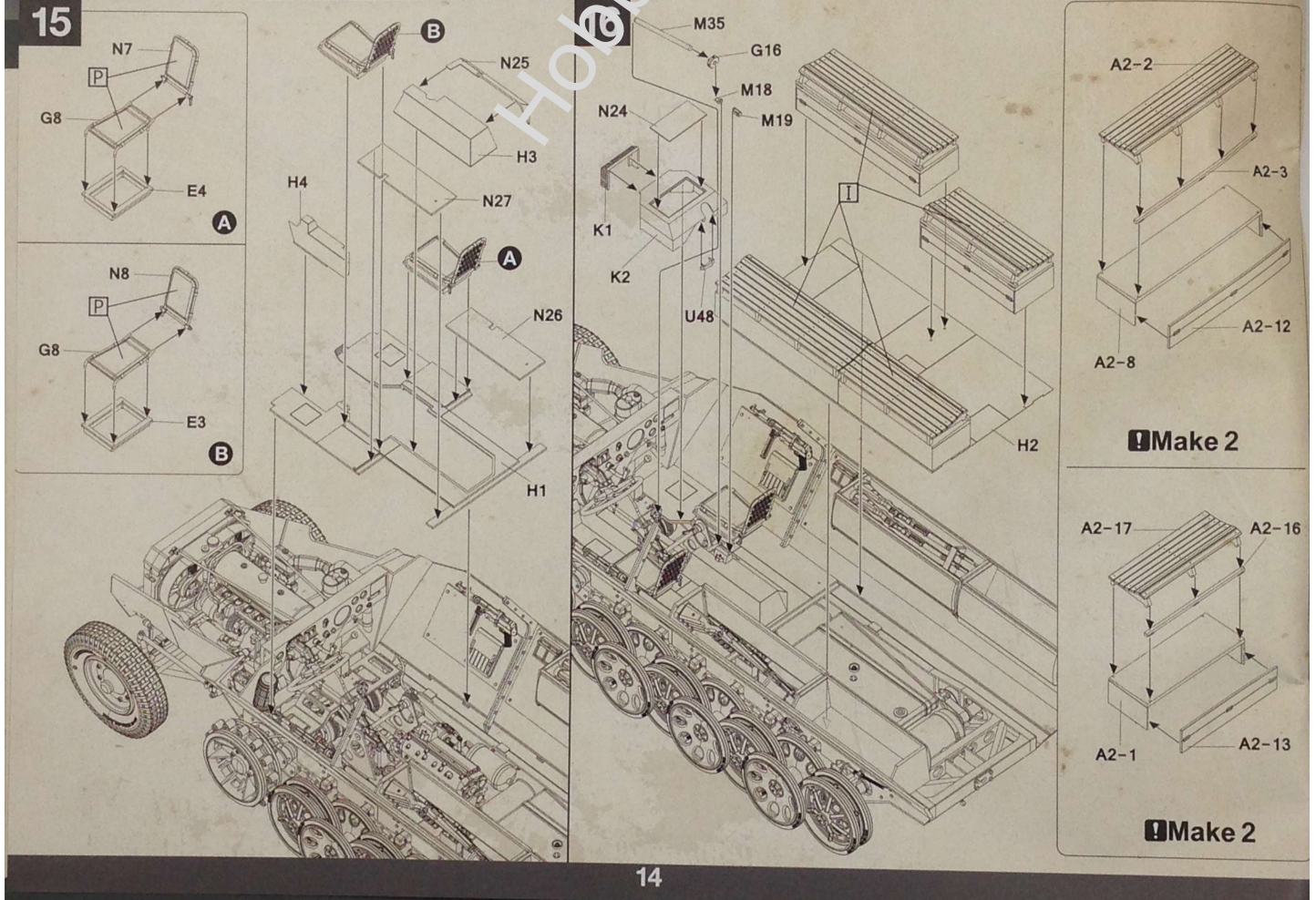
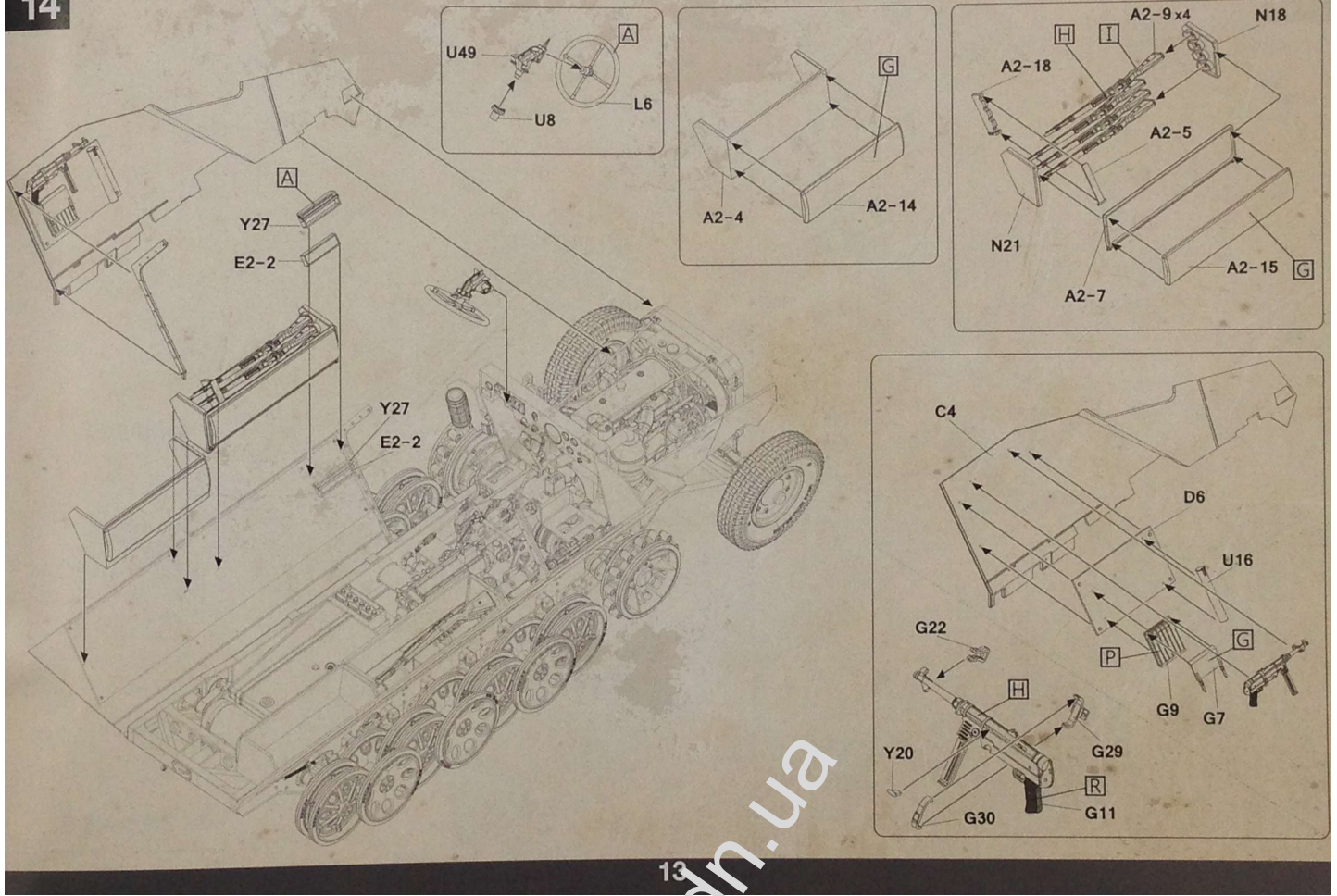


12

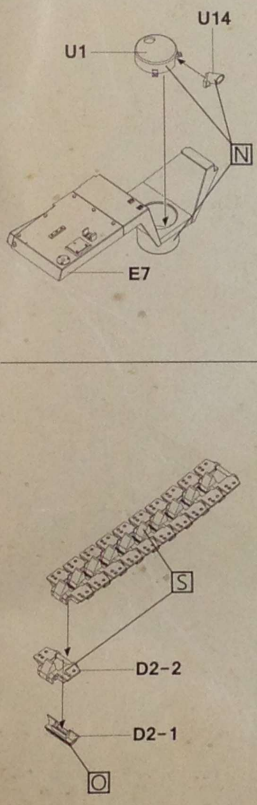


13

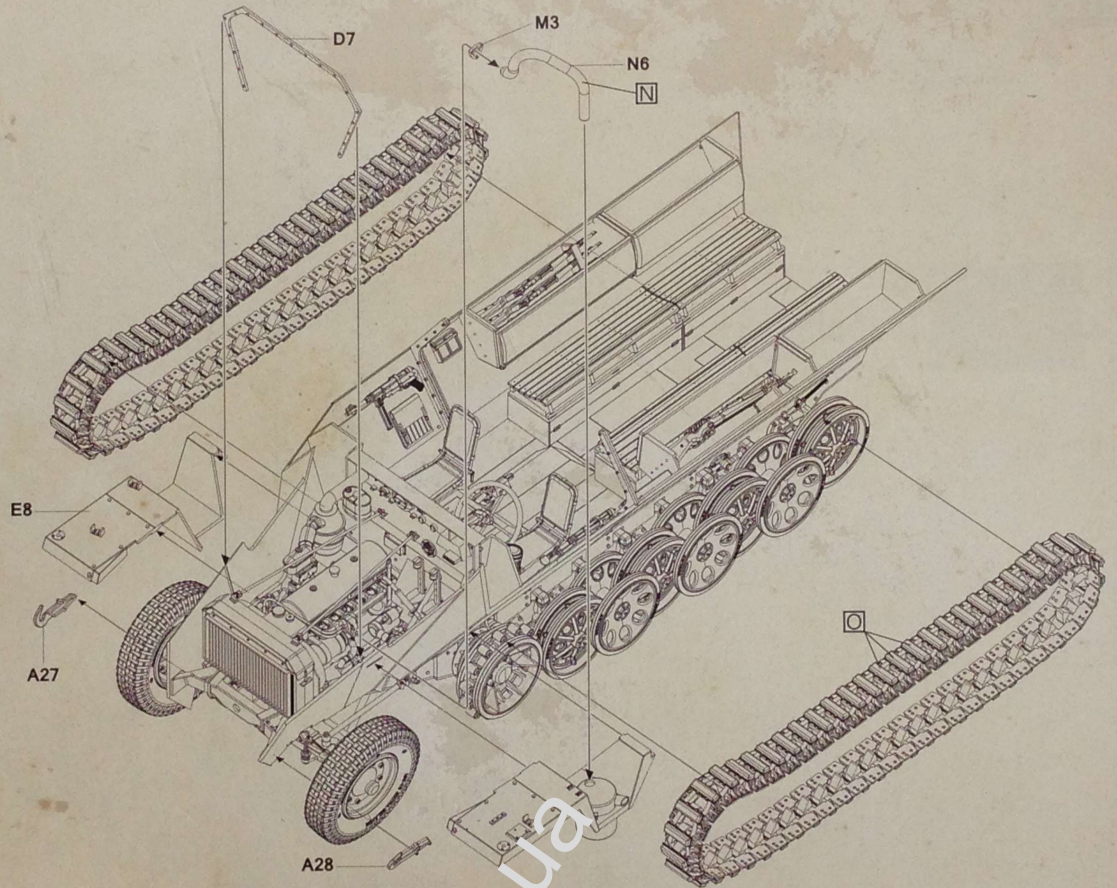




17

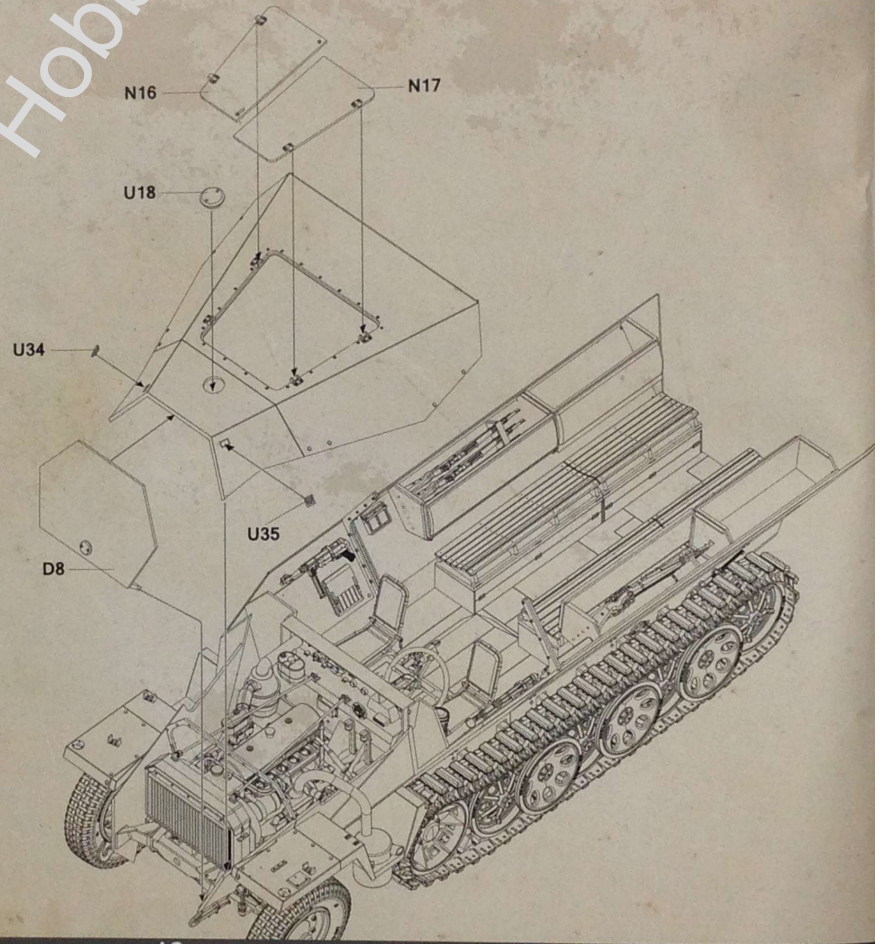
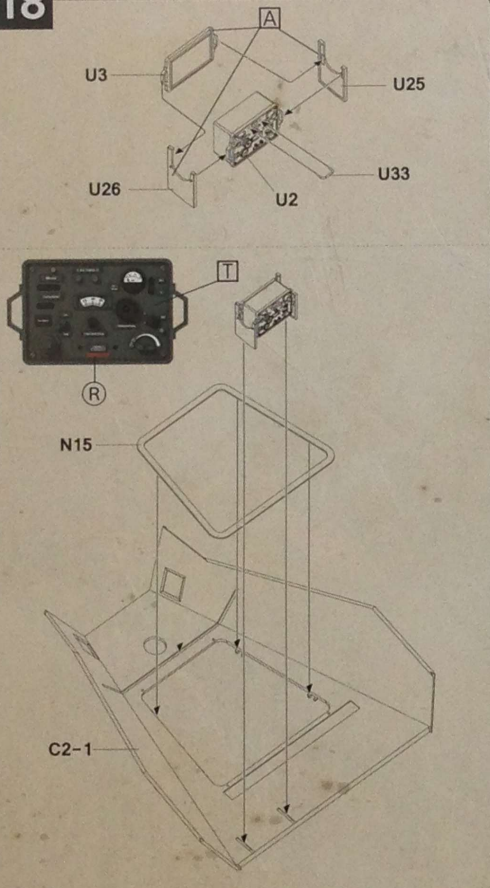


55 for one side

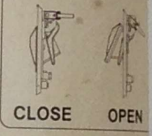
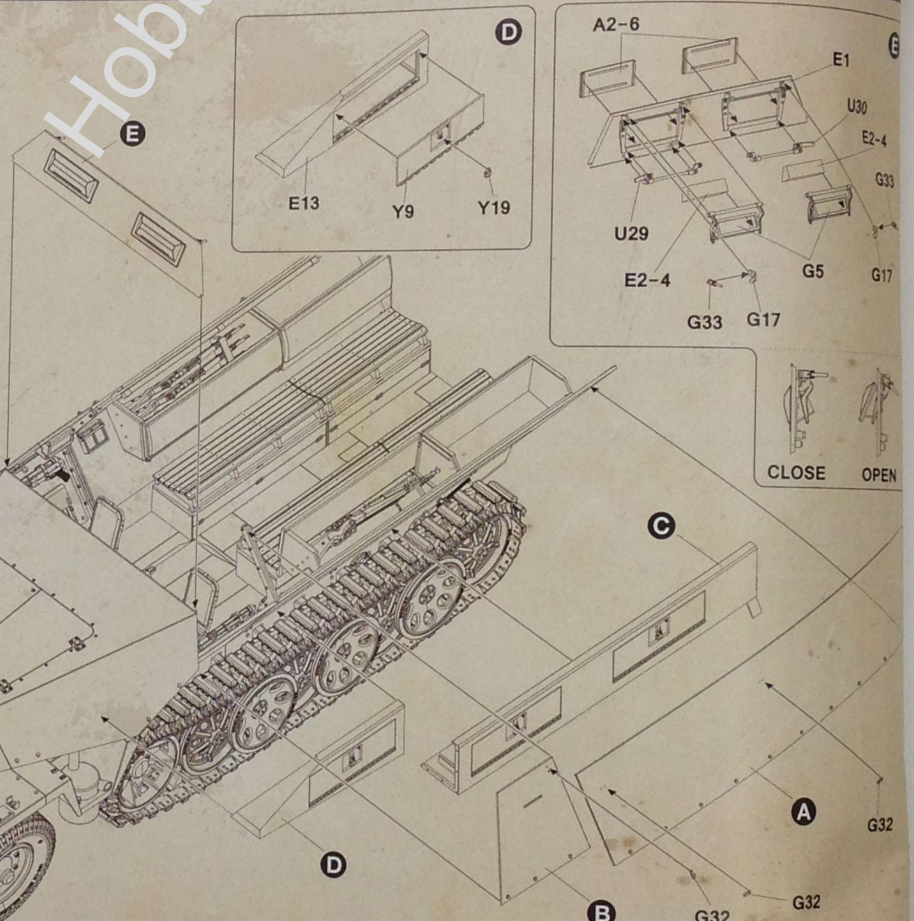
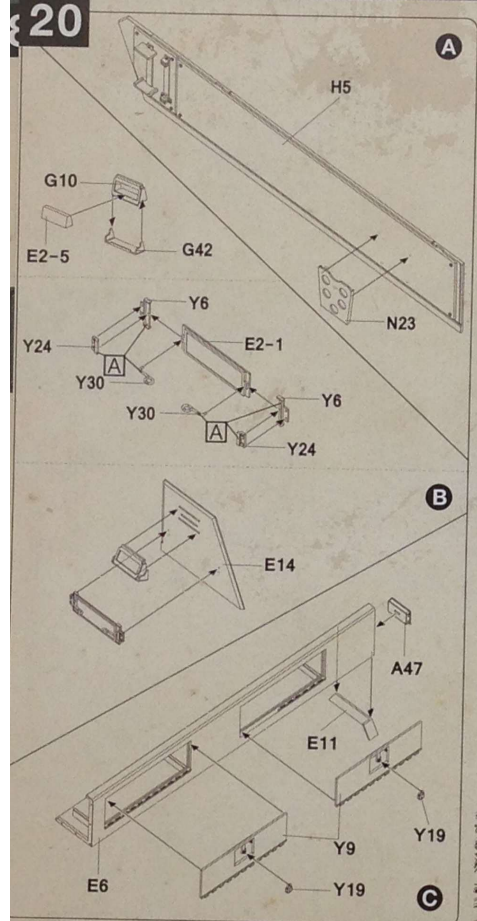
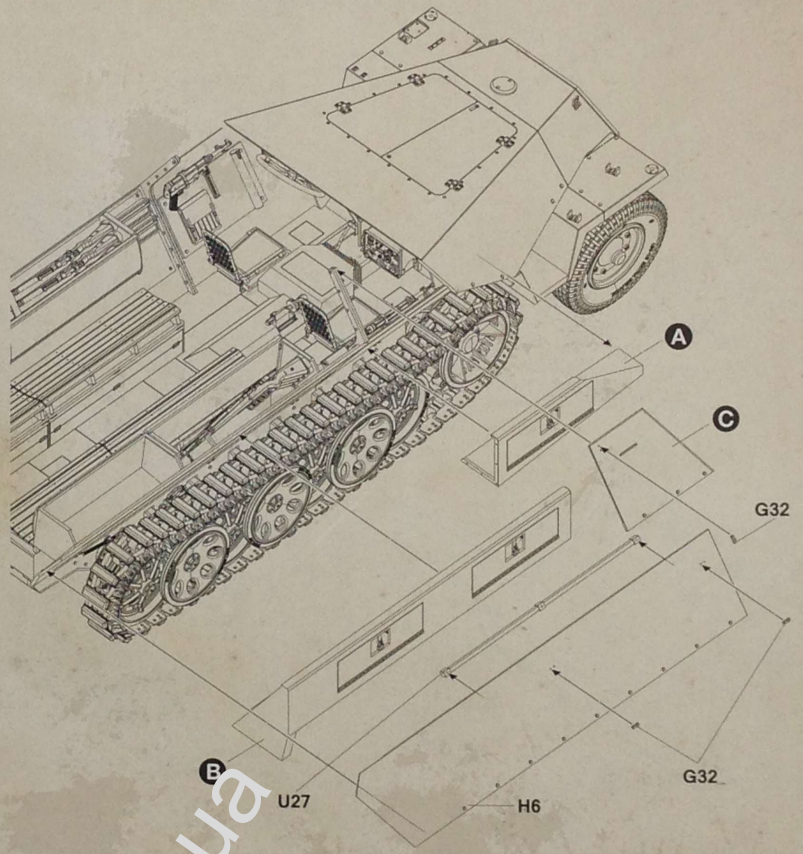
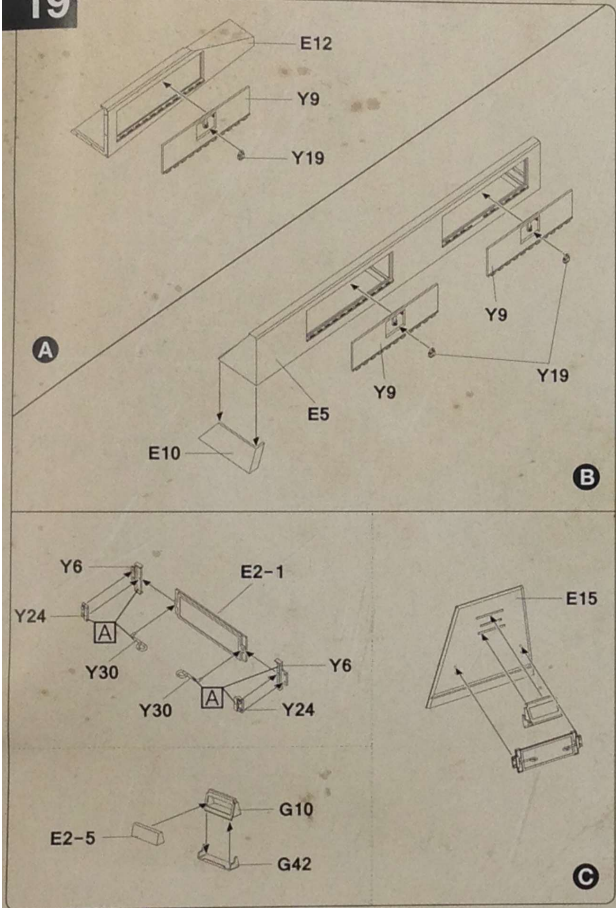


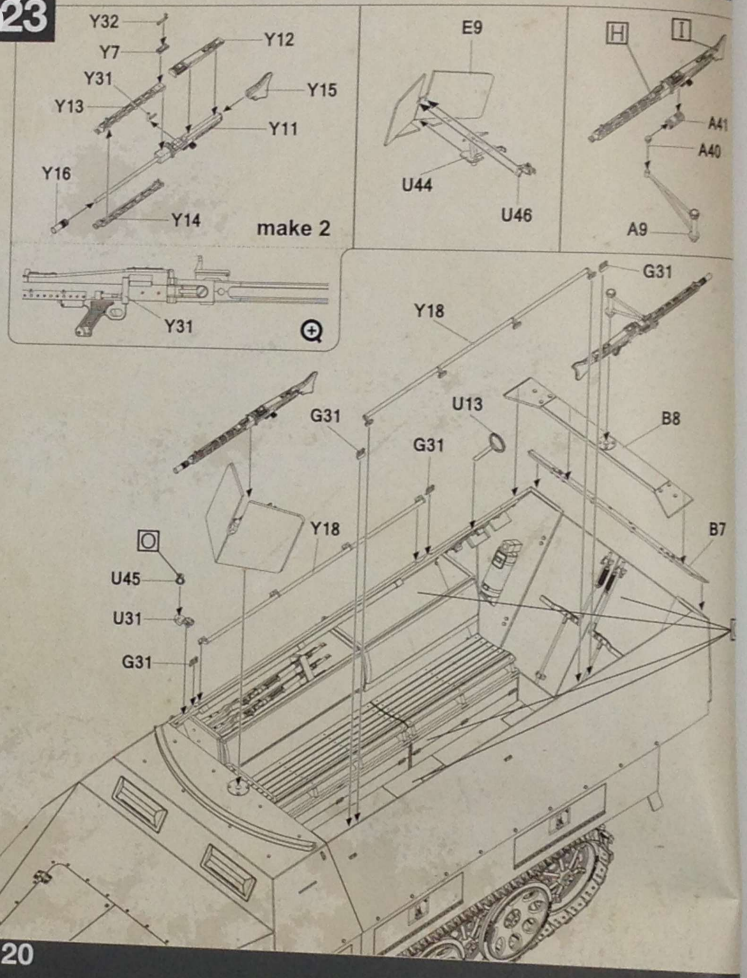
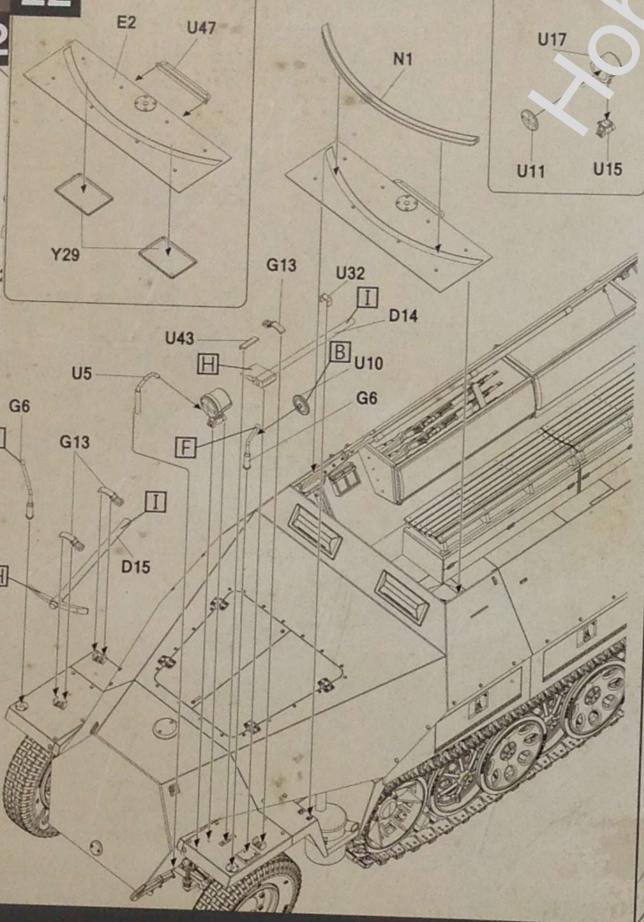
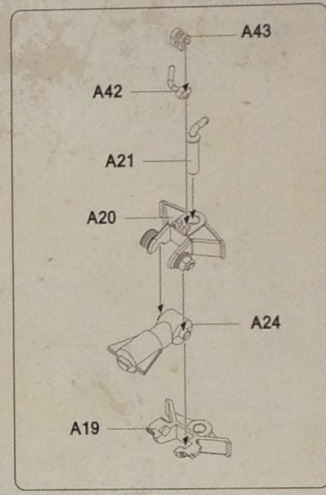
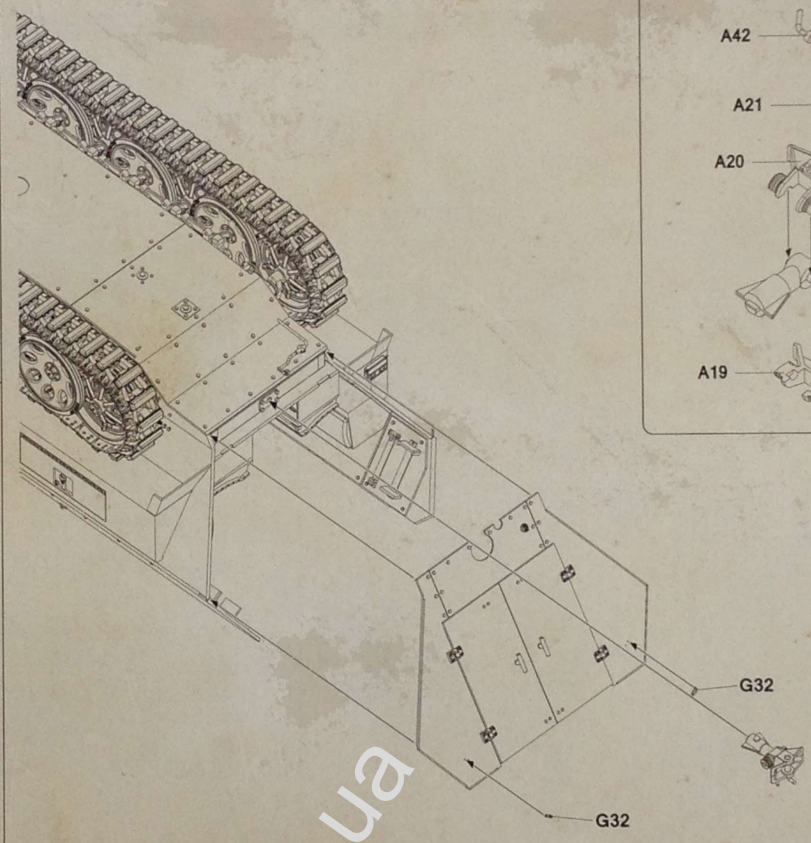
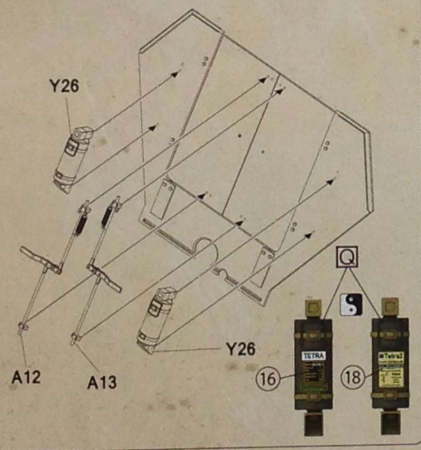
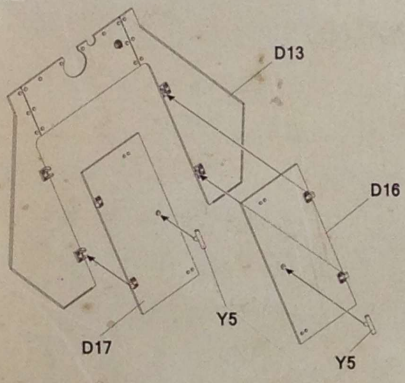
15

18



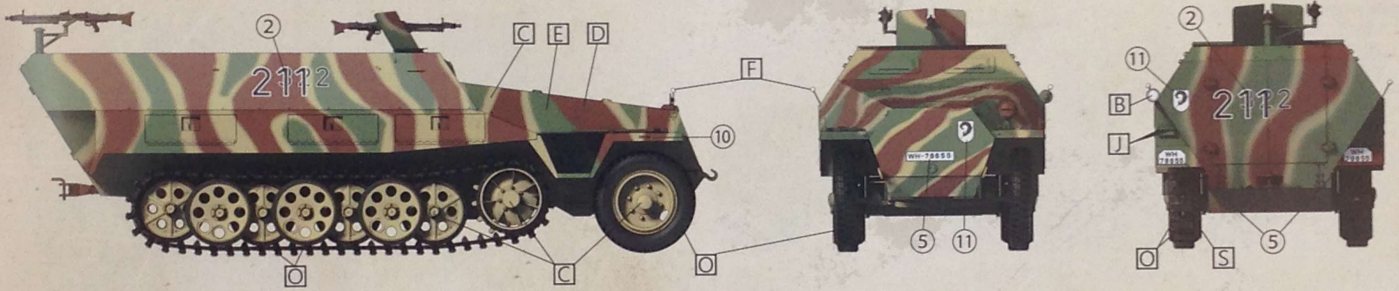
16



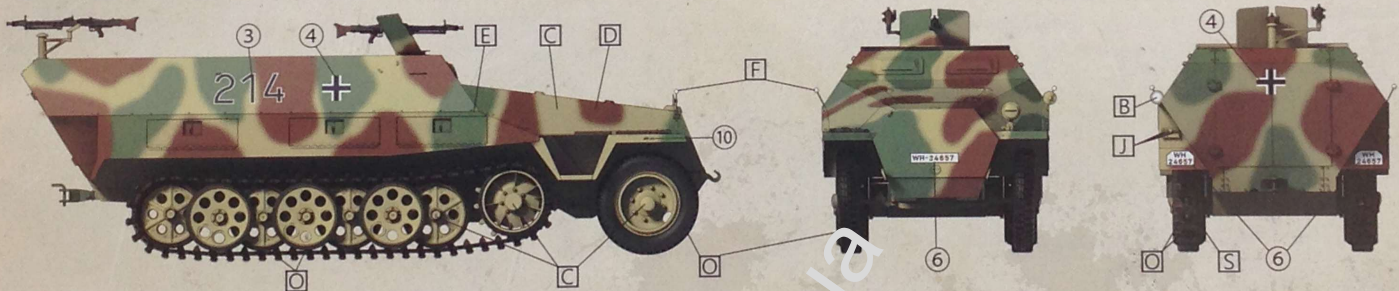


Painting and Marking Guide

97. Jäger-Division, April 1945 Eastern front, Bohemia, Deutschbrod

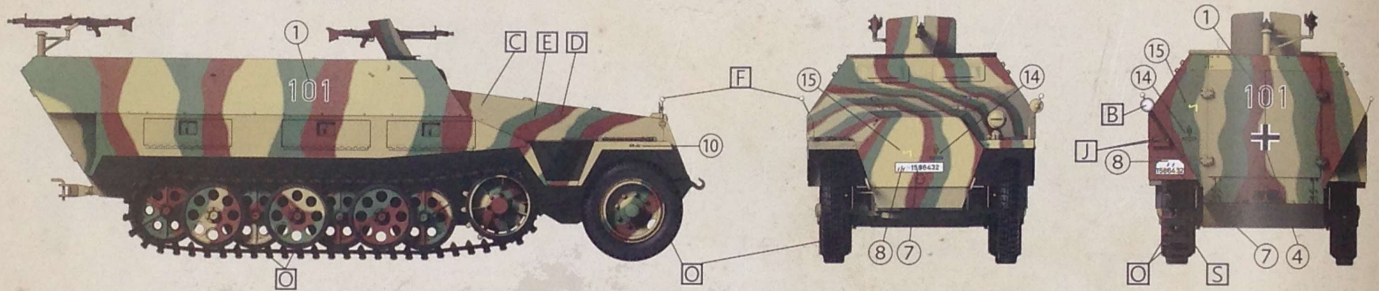


PzGren. Rgt.25 (12.Pz. Division), Nov. 1944, Eastern Front, Kurland

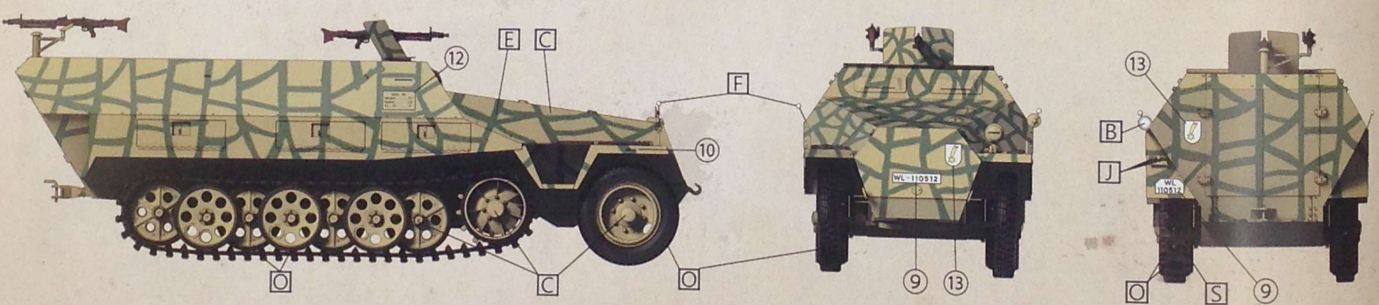


Painting and Marking Guide

2.SS-Pz.Div. „Das Reich“, Juli 1944, France, Normandy, Periers area



4. FschJg. Div., March/April 1944, Italy, Anzio Area



The Crew of this project



Harald Bauske - CEO

As the owner and managing director of Modellbau König GmbH & Co KG, Harald assembled a team of creative professionals and provided the budgets to pursue one of his dreams: releasing a plastic model kit under his own brand. Since late 2018, his dream has come true with several releases of Das Werk. Back in 1999, when he made the first steps with his company, he did not imagine that this dream would ever become a reality.



Dietrich Wolf – 3D Designer/historic modeler
He studied mechanical engineering, lives and works in his profession as design engineer manager in Austria.

Since his early childhood he developed an deep interest in warhistory from the 16-21 century and modelling scale models and dioramas. During the years he improved his manual skills and modelling techniques and created his own balanced style especially in diorama construction.

He developed resin mastermodels and 3D models for modelcompanies like Wiener Modellbaumanufaktur, Schatton Modellbau, and Customscale.



Jason - Artist and Designer

The creator and owner of JASON STUDIO graduated from China Academy of Art with a master's degree. He started learning traditional painting at the age of ten and majored in sculpture at university. He loved military vehicle and plastic models since he was young. JASON STUDIO was founded in 2016 and provided CAD design, box art drawing and figure design and sculpting for many model brands.



Felipe Rodríguez Nández - Artist

Although he graduated as an architect, military history and modeling were his passions.

Since a few years he illustrates for publishers like Panzerwrecks and Osprey, and for model kit brands like Das Werk, AK interactive or Meng. He tries to make the drawings as detailed and technical as possible but always with an important artistic and "hand made" imprint.

