



1/48 SCALE MODEL CONSTRUCTION KIT



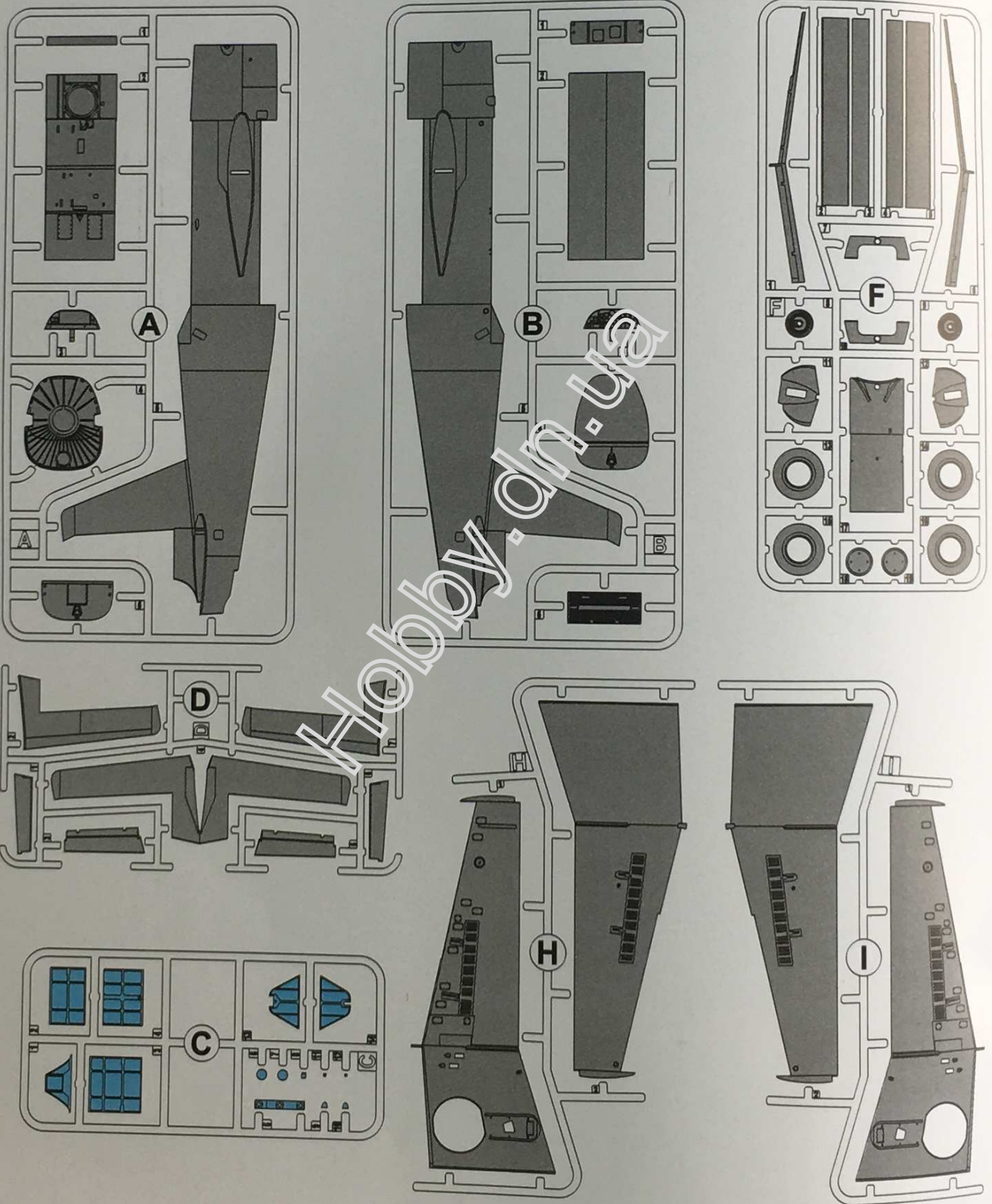
# Vultee Vengeance MkII

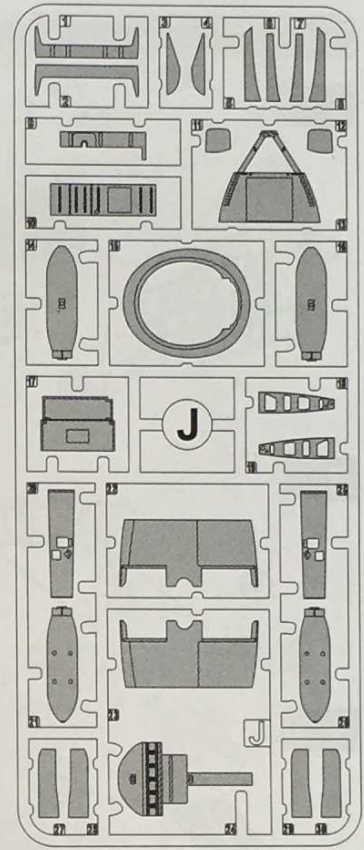
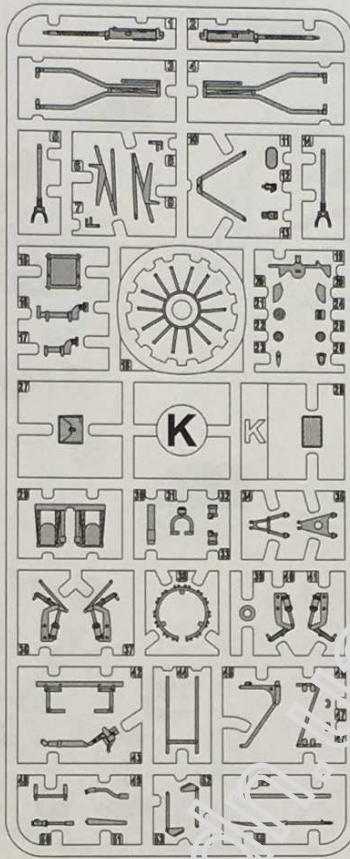
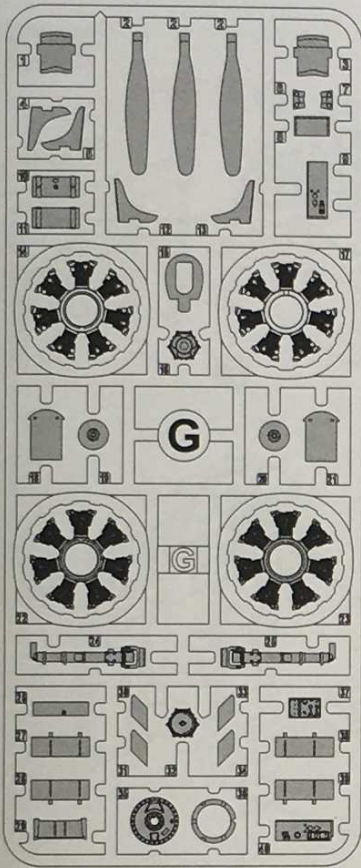
Hobbyart.ua

DW 48044

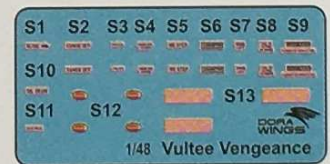
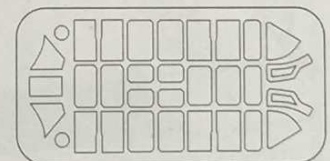
This model kit was developed with support and direct participation of Steve Long. Additionally Dora Wings would like to thank the Director of Camden Museum of Aviation for his support and assistance with this project.

## PARTS OF THE MODEL

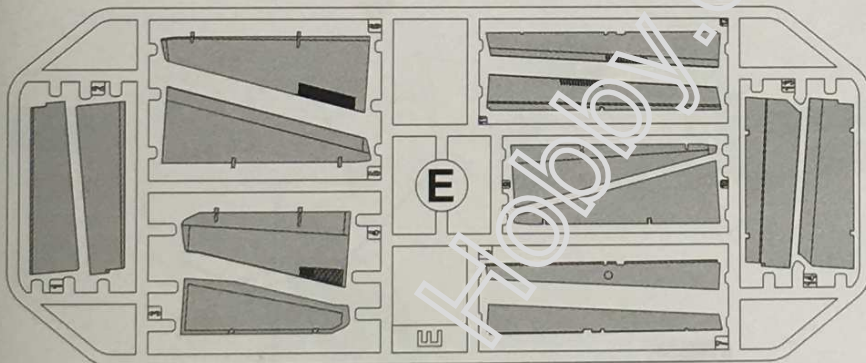




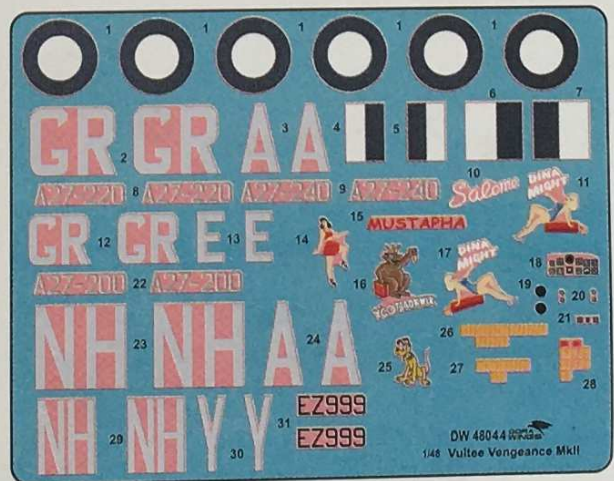
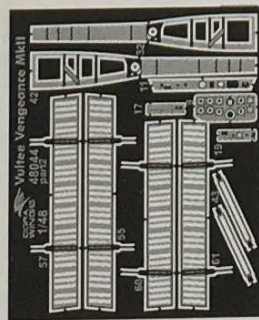
Mask



Decal

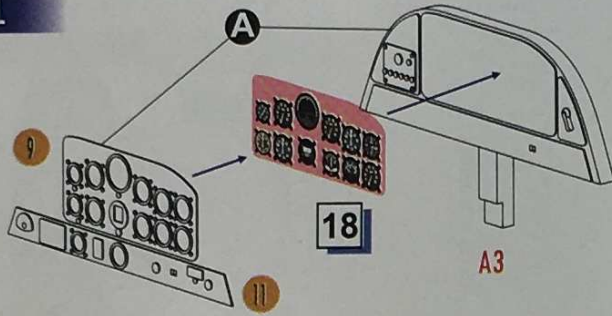


Pe

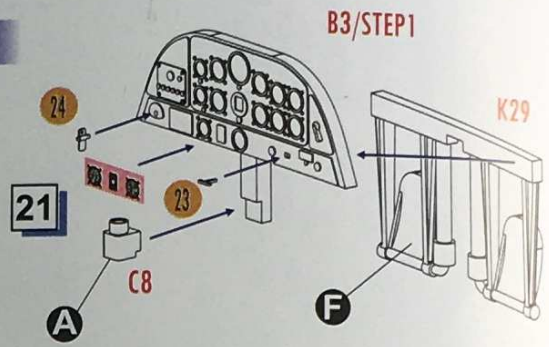


# ASSEMBLY INSTRUCTION

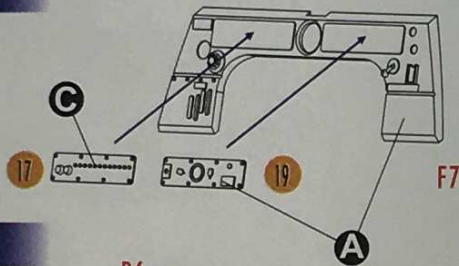
1



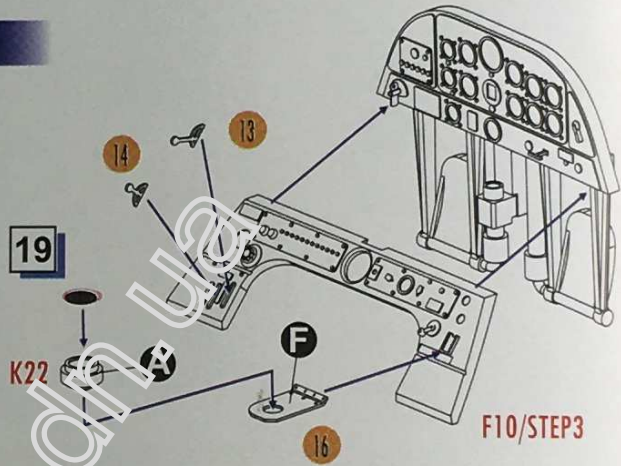
2



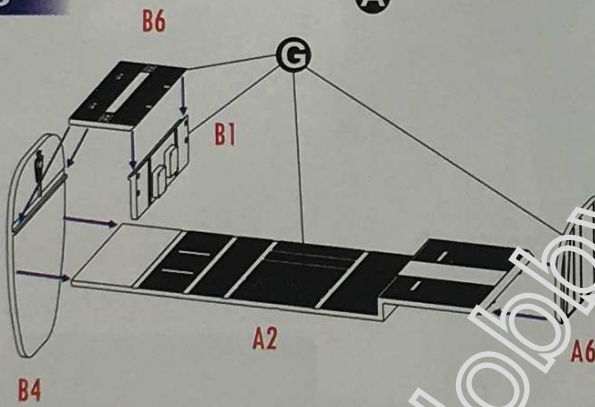
3



4



5

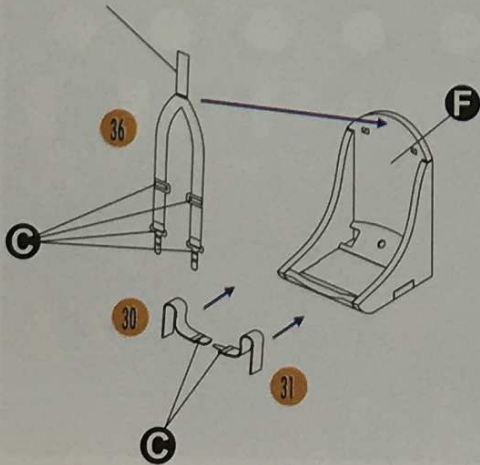


6

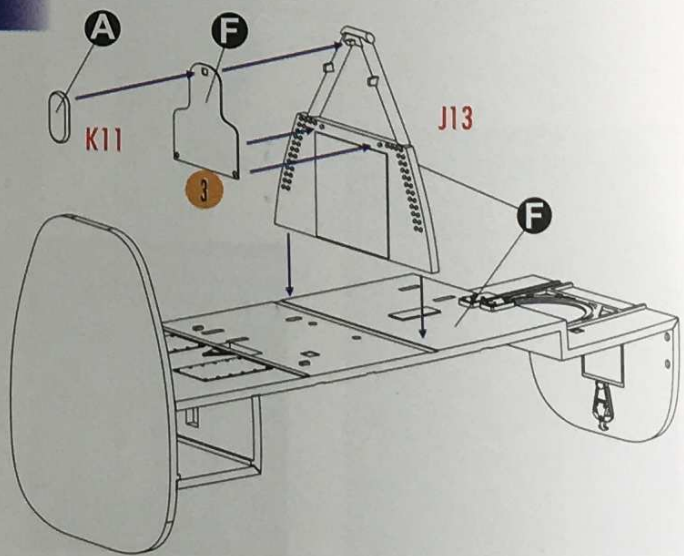


7

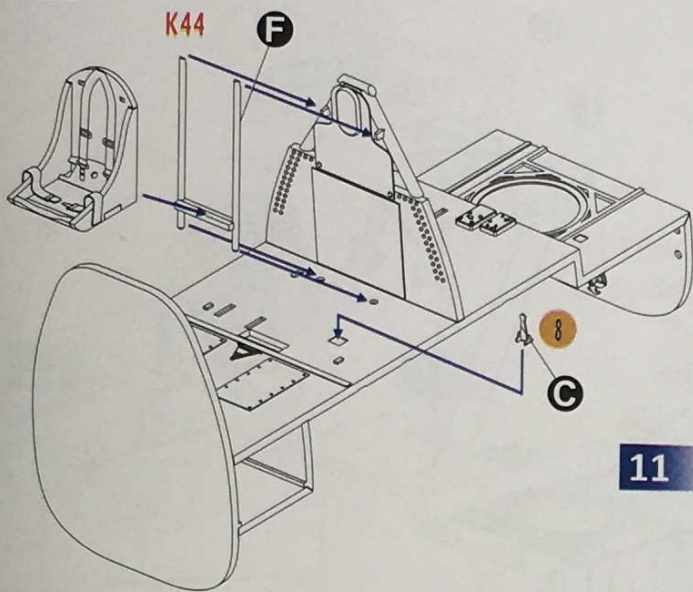
PE part 36 only for pilots seat



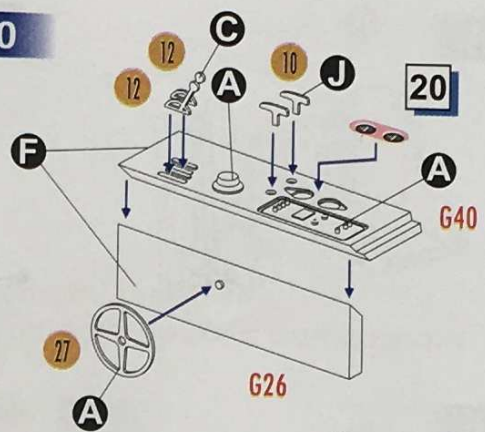
8



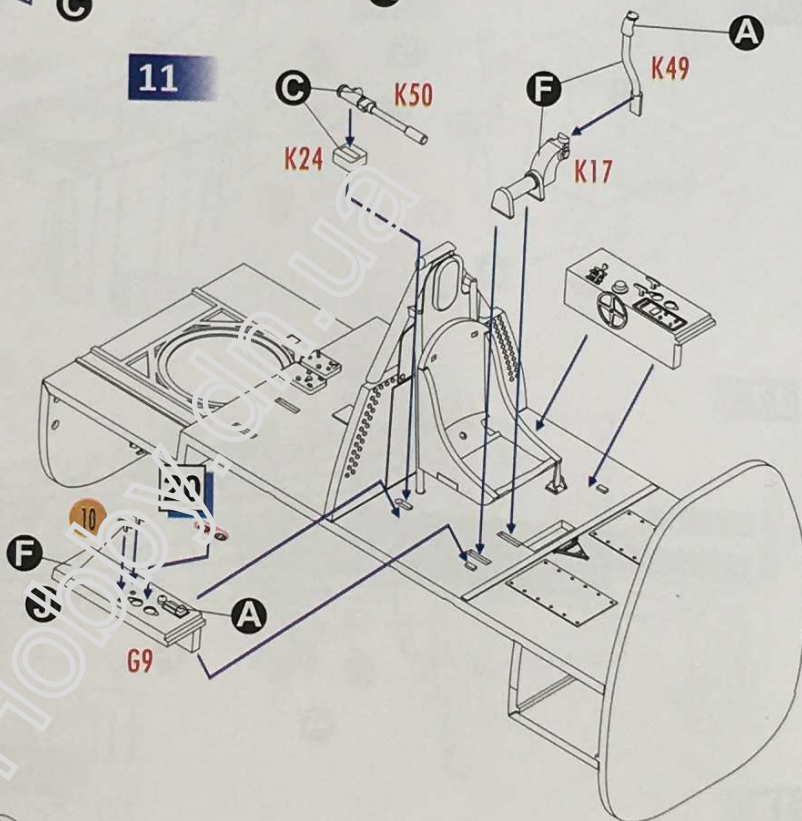
9



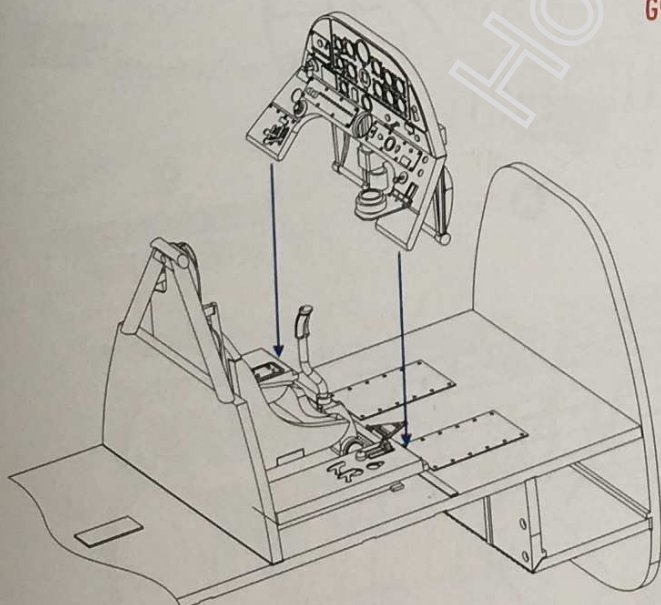
10



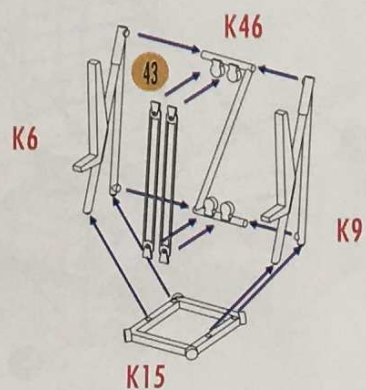
11



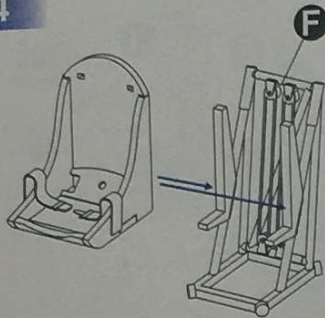
12



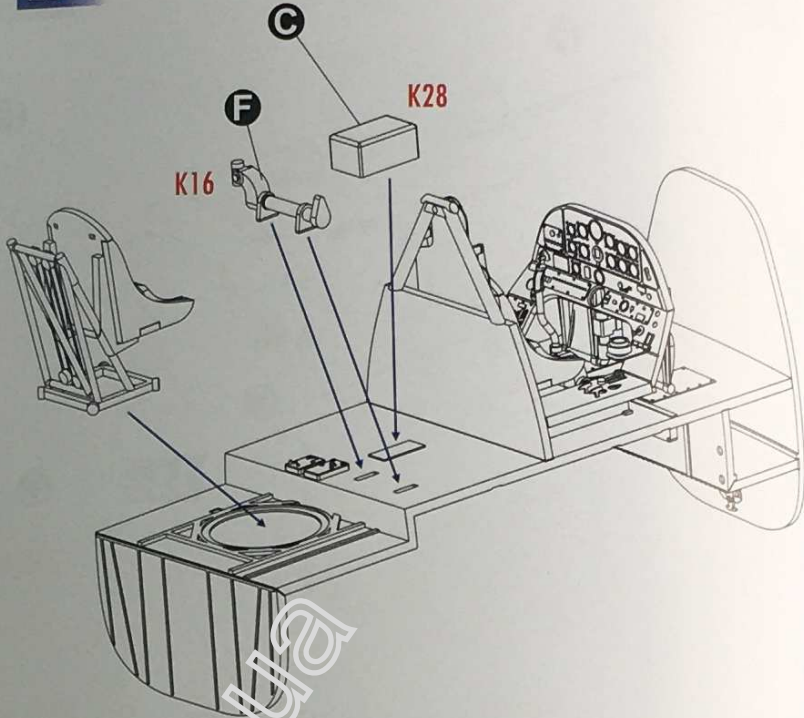
13



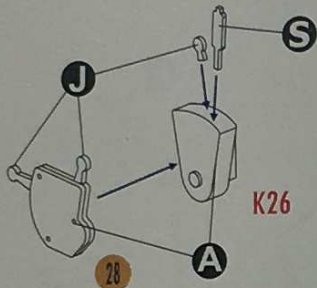
14



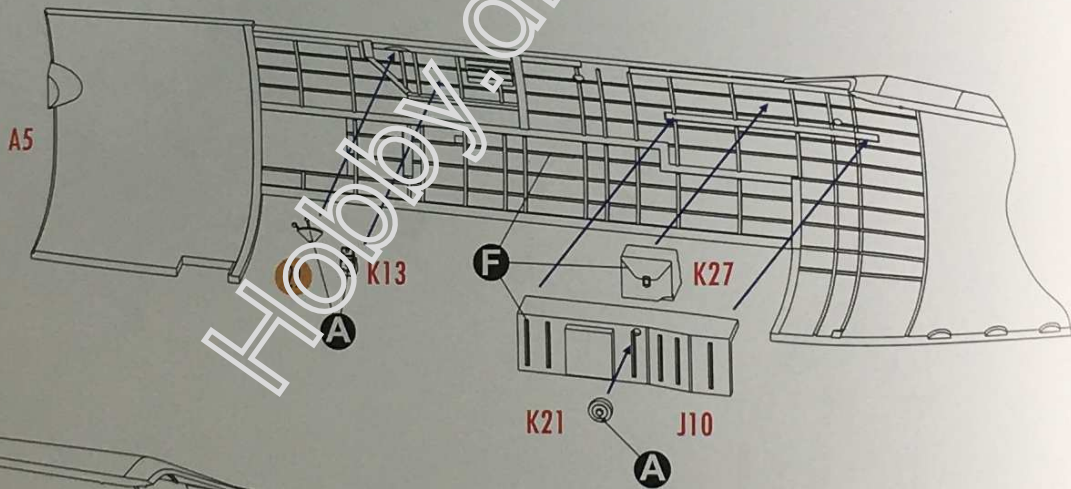
15



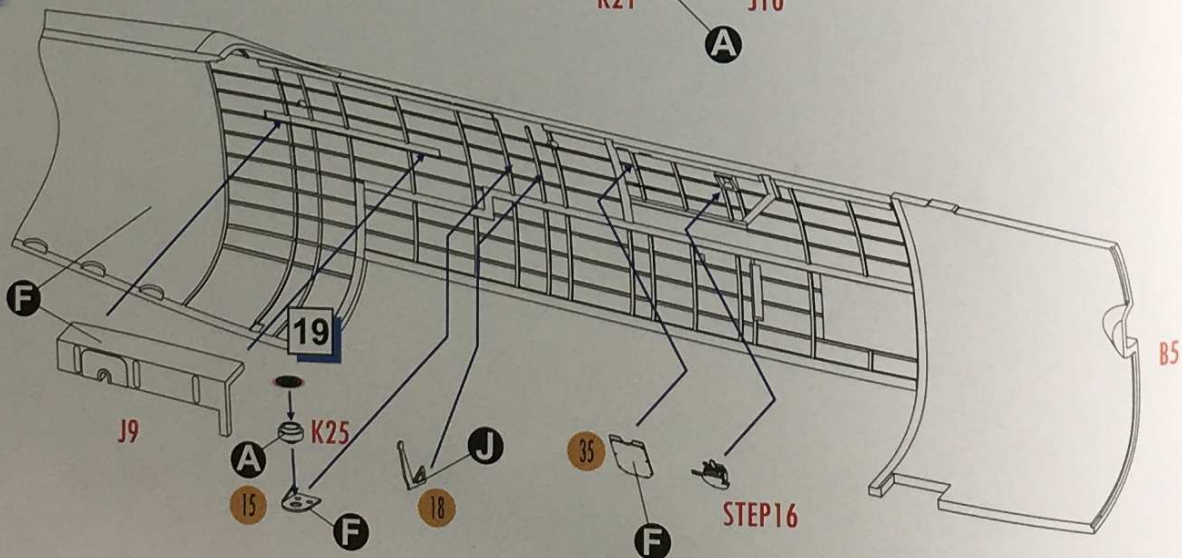
16



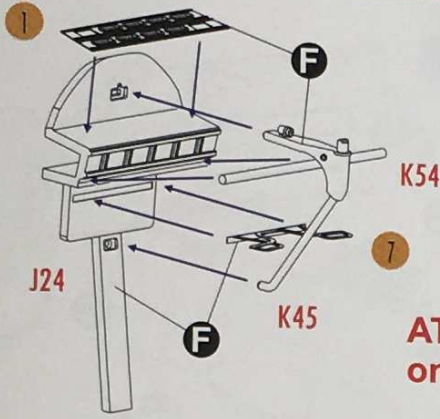
17



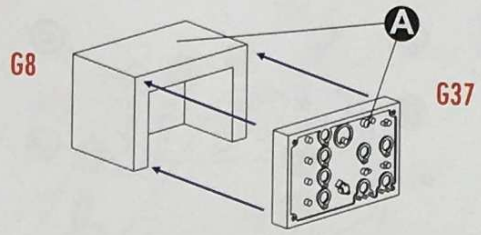
18



19

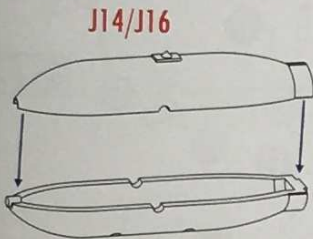


20

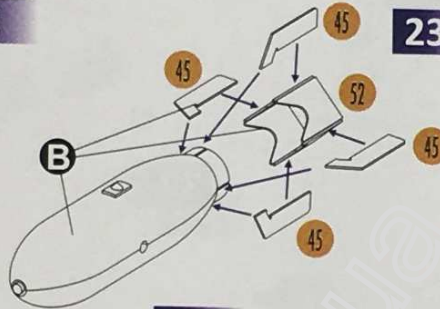


**ATTENTION! Steps 21-29, 48 only for version with opened bomb doors**

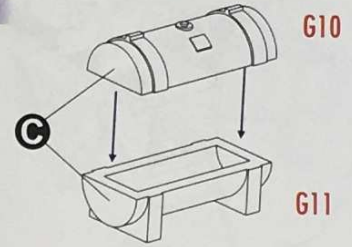
21



22

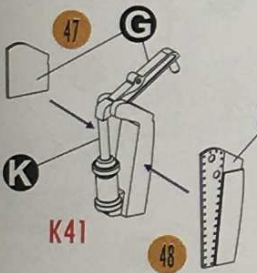


23



24

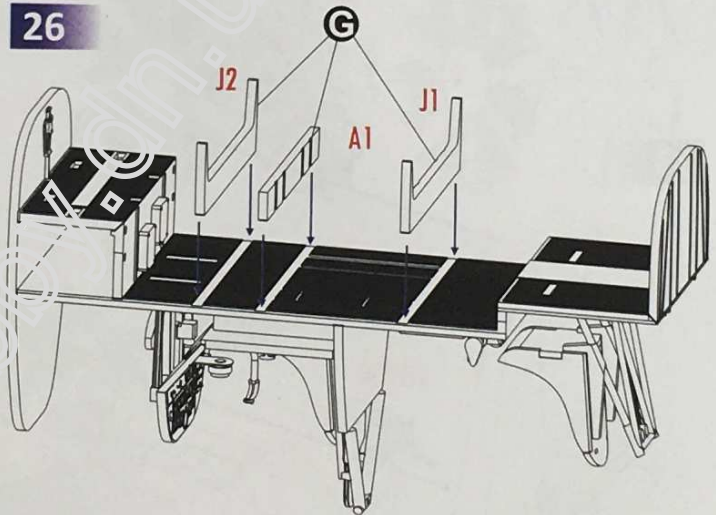
J21/J26



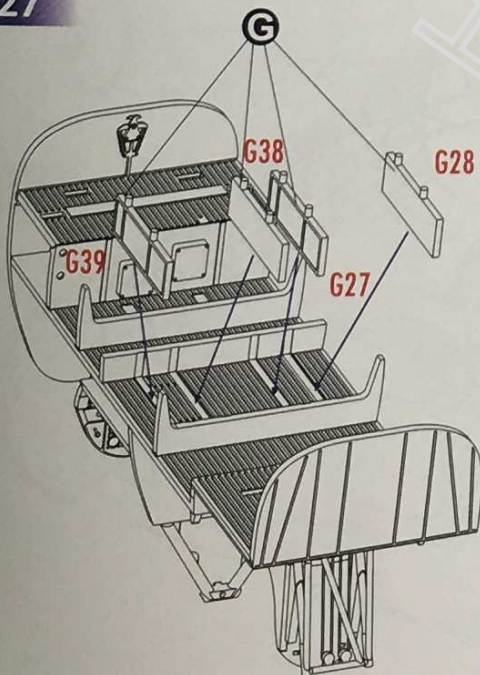
25



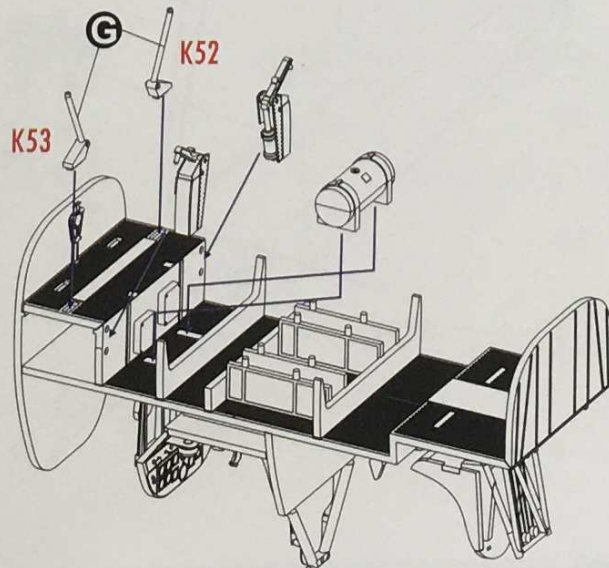
26



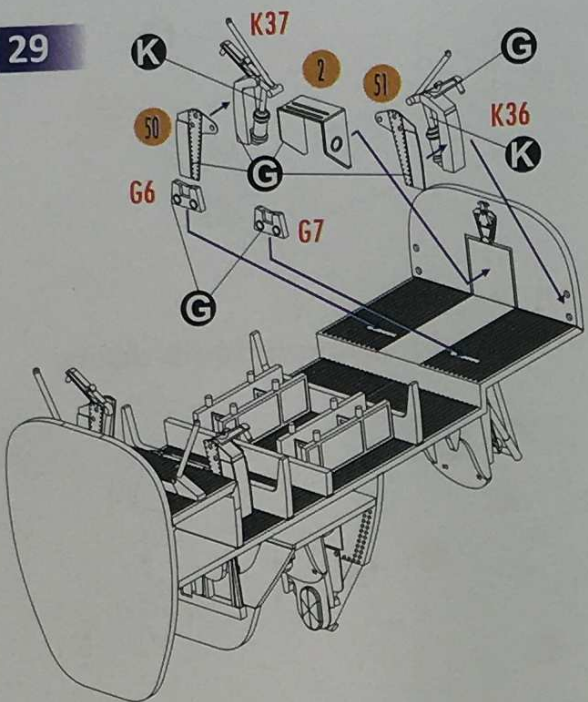
27



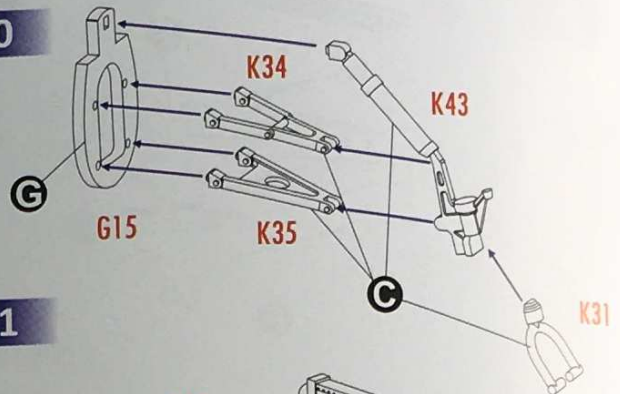
28



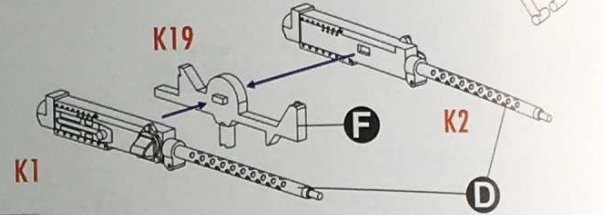
29



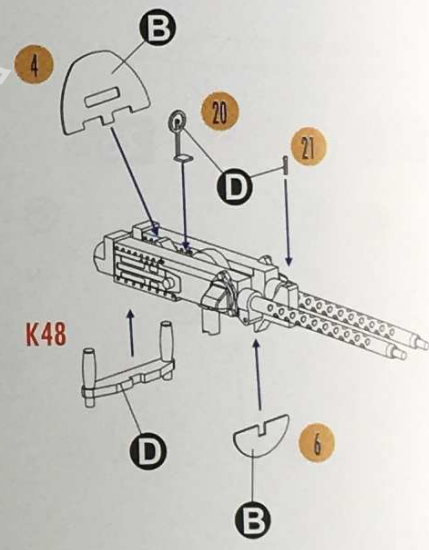
30



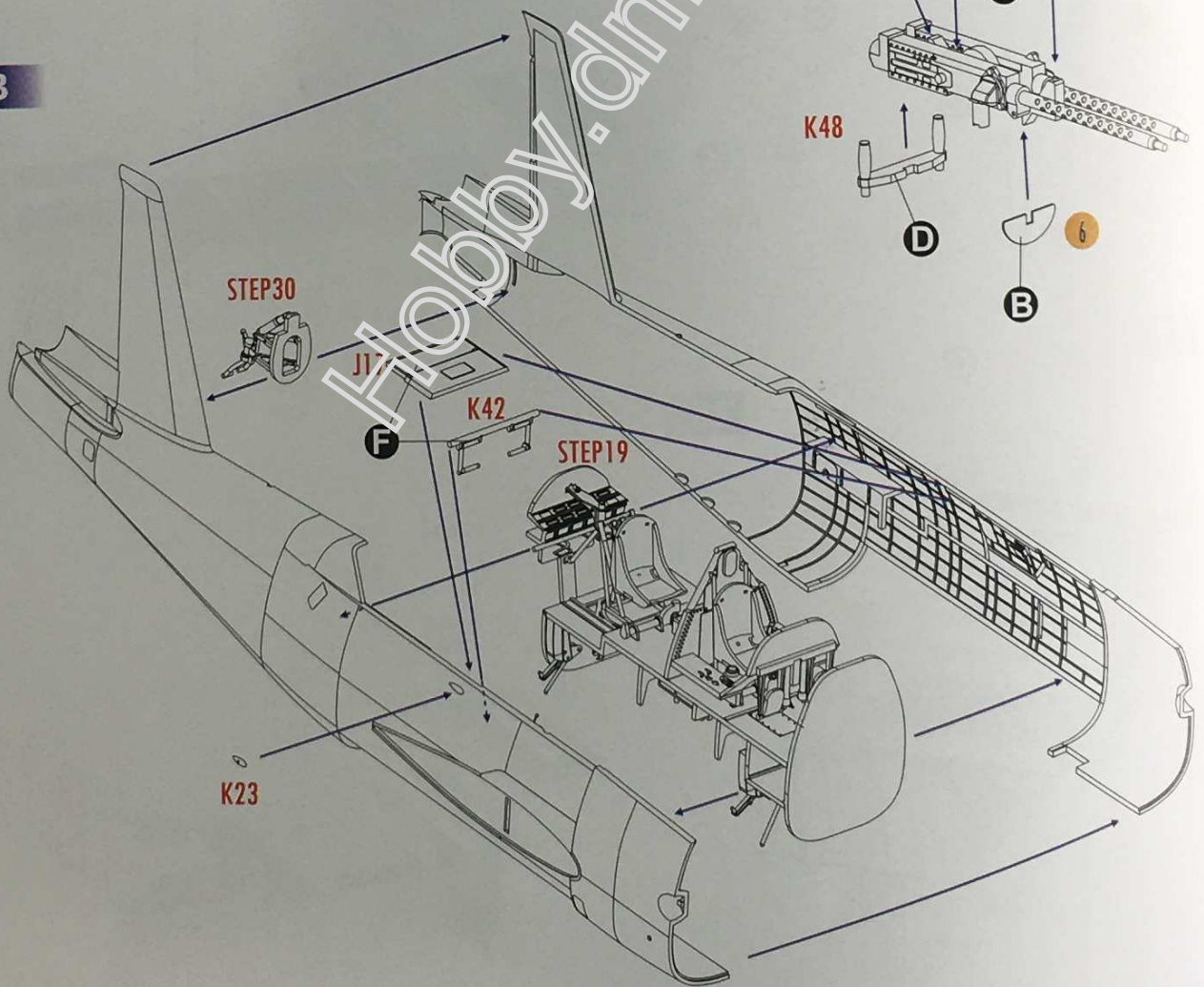
31



32

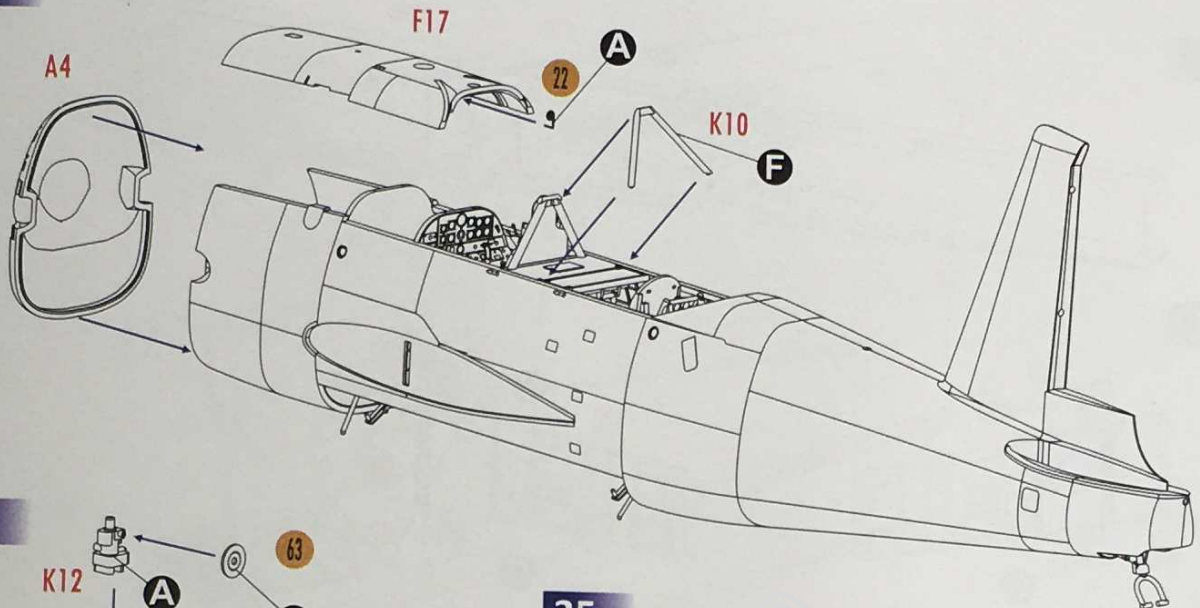


33

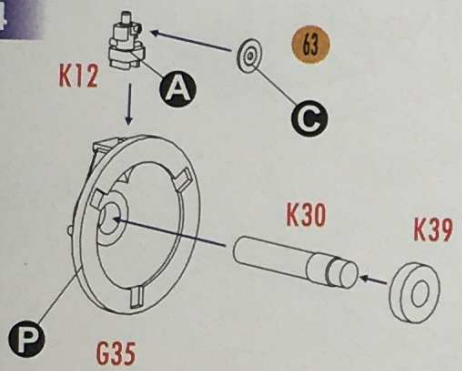




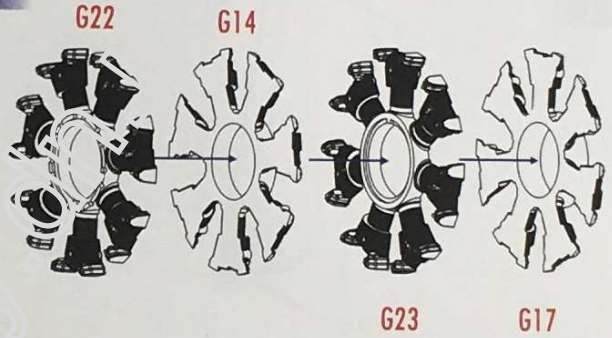
34



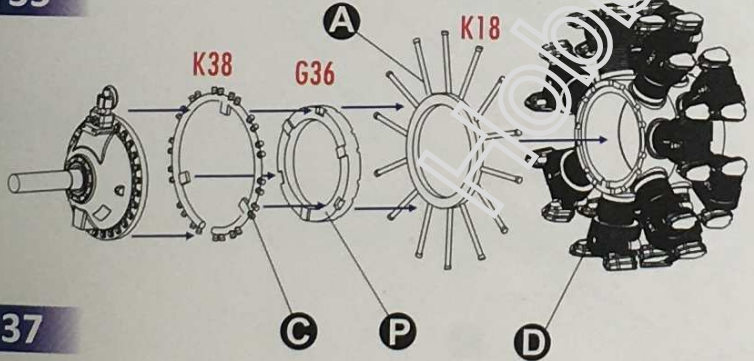
34



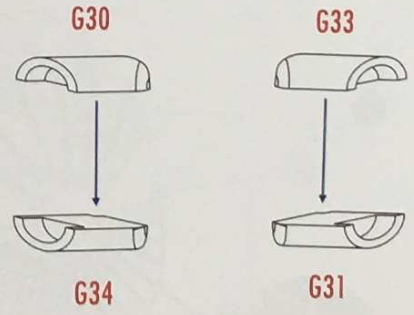
35



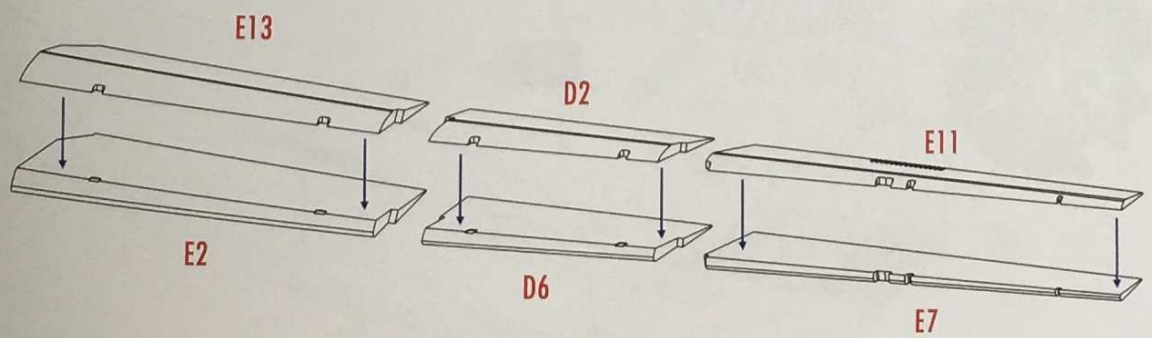
35



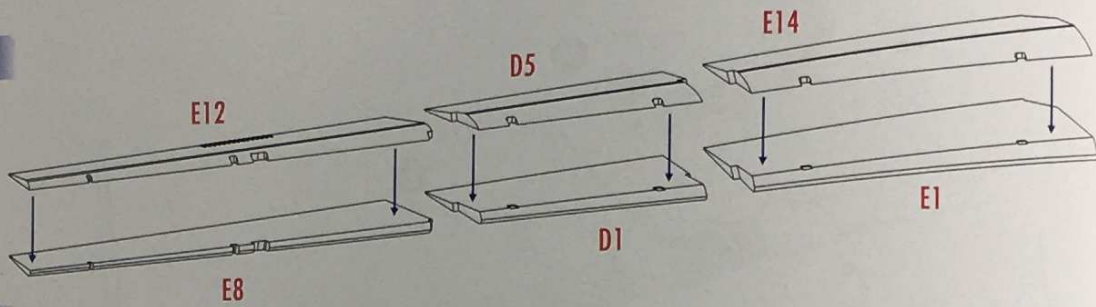
36



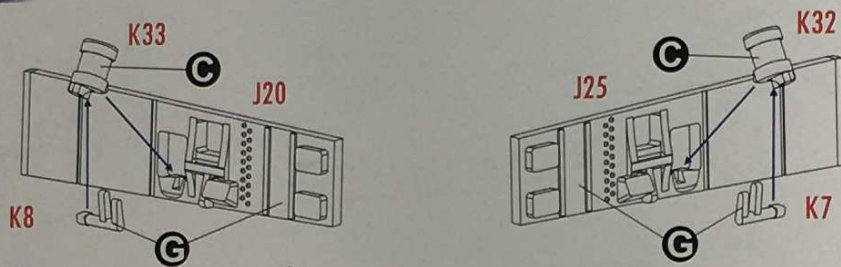
37



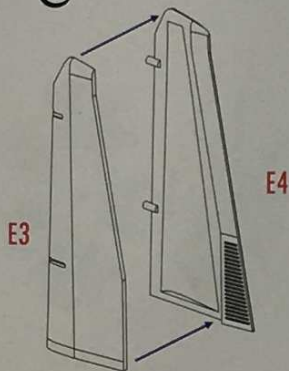
38



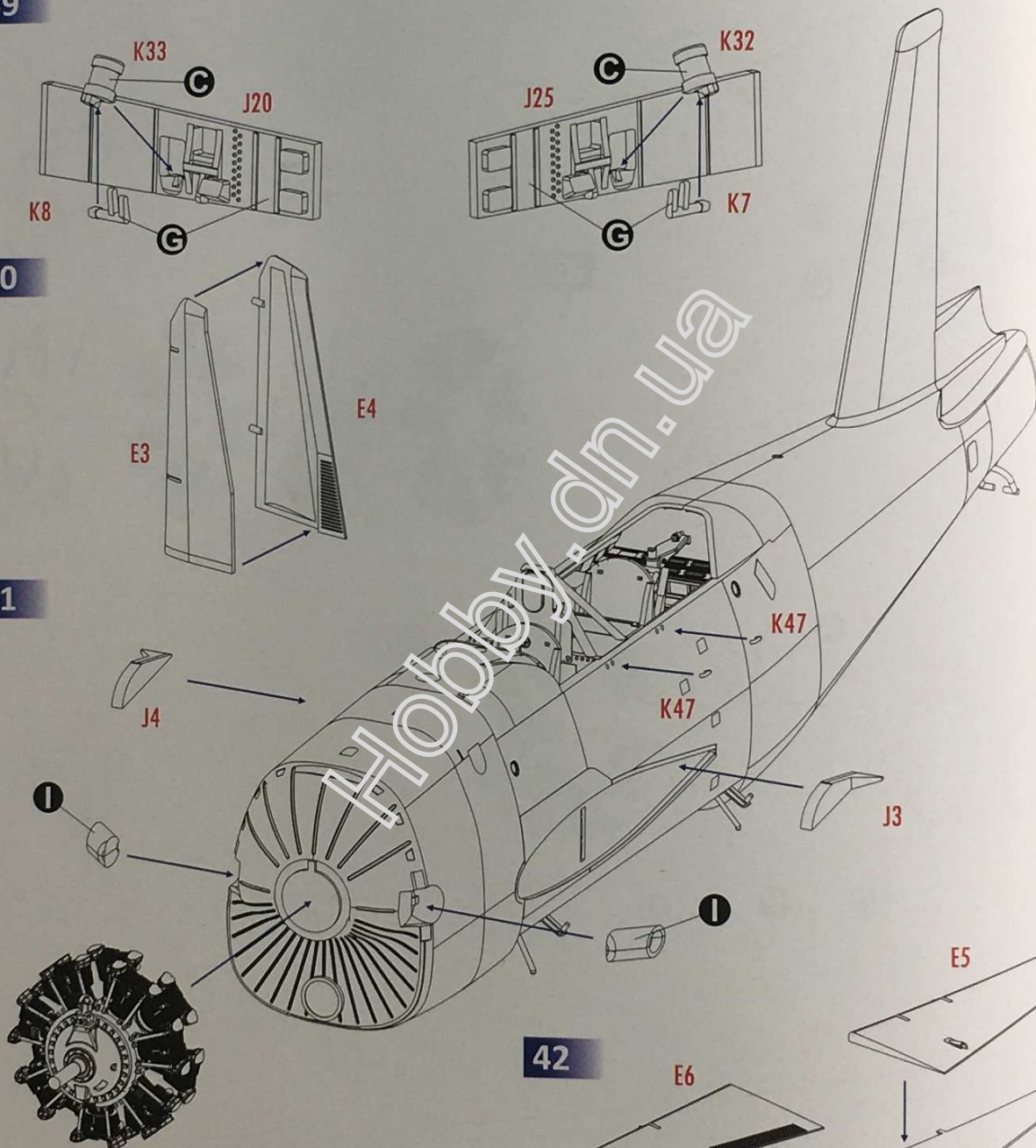
39



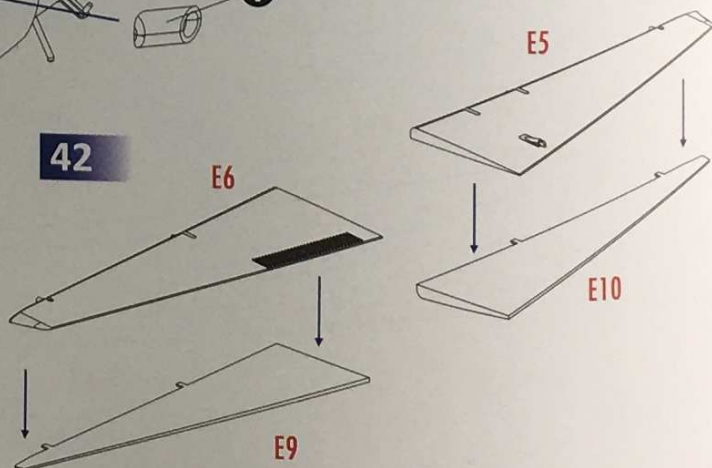
40



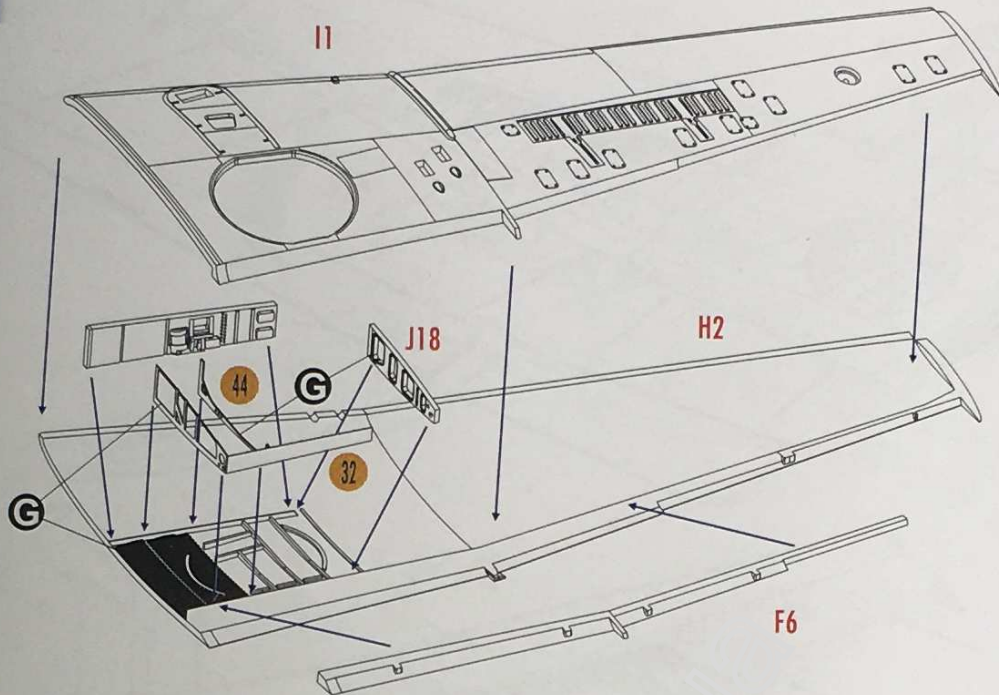
41



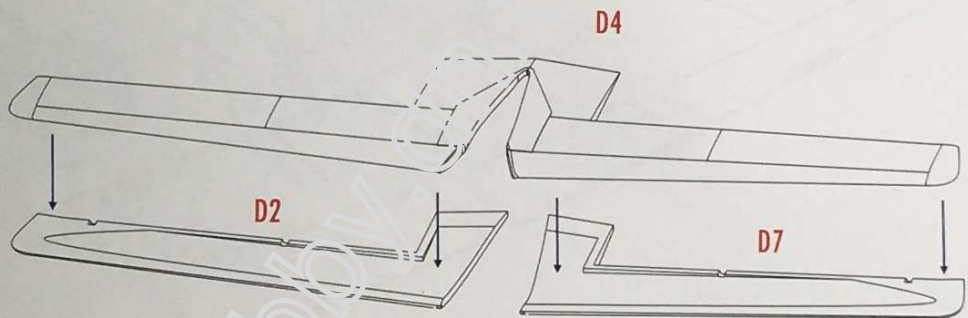
42



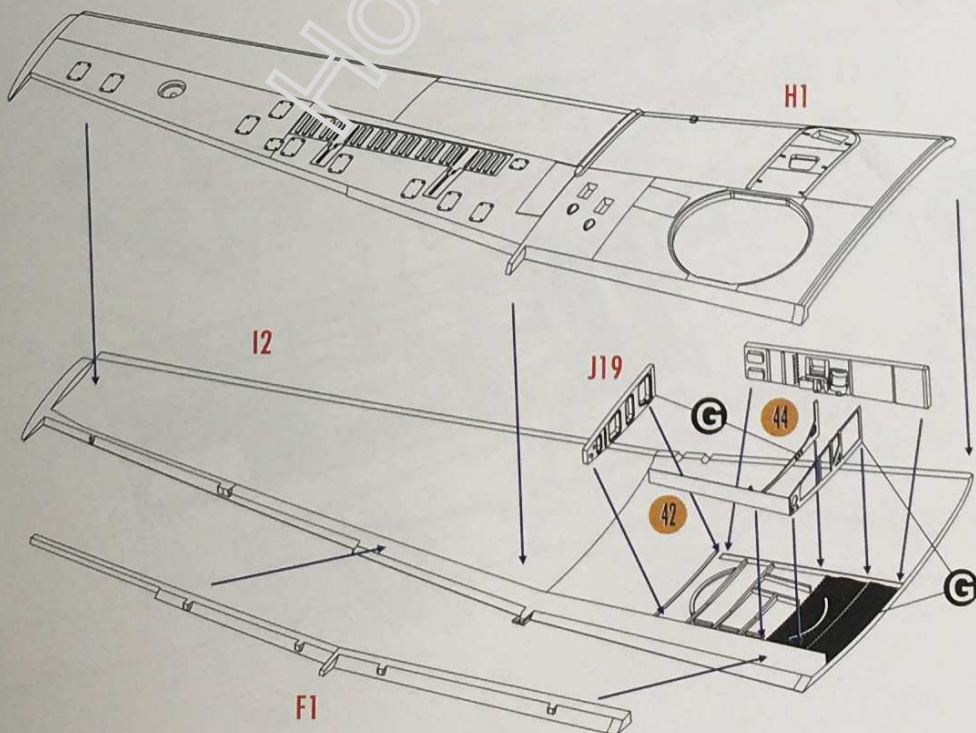
43



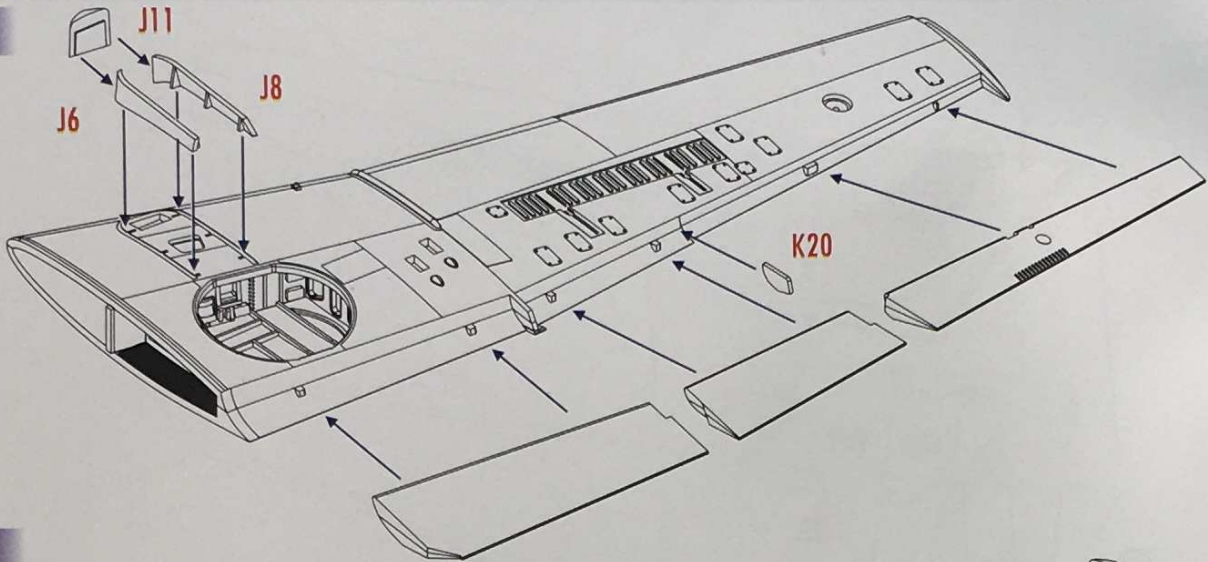
44



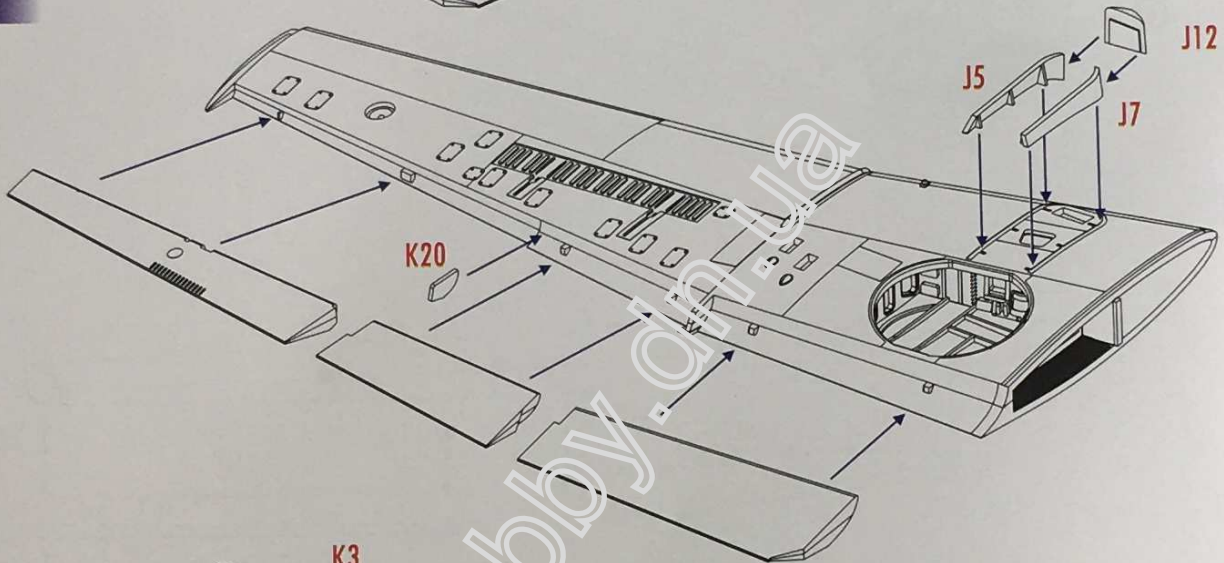
45



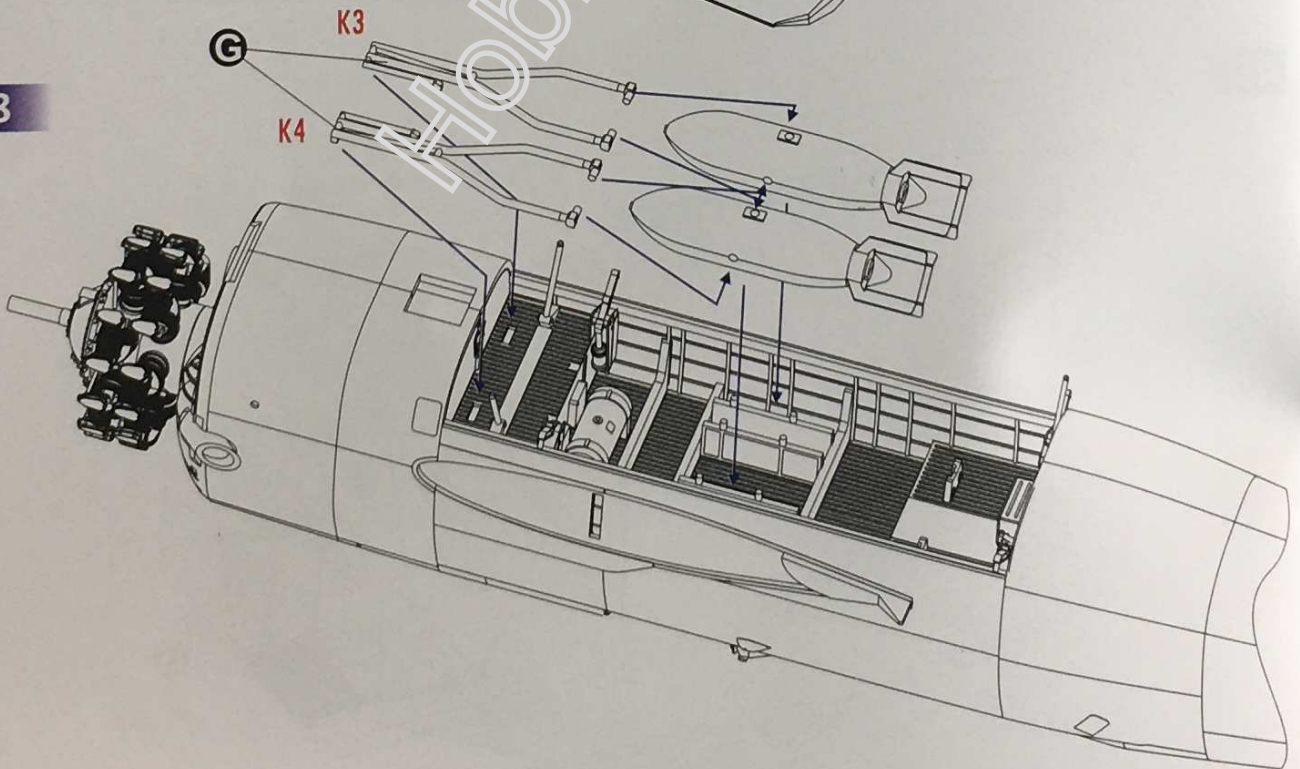
46



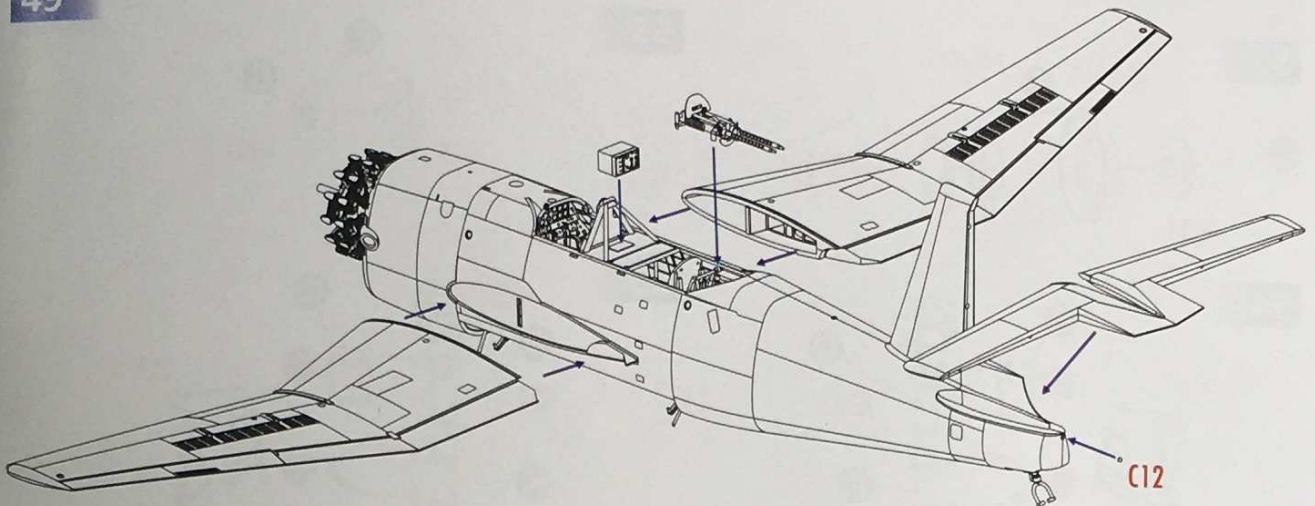
47



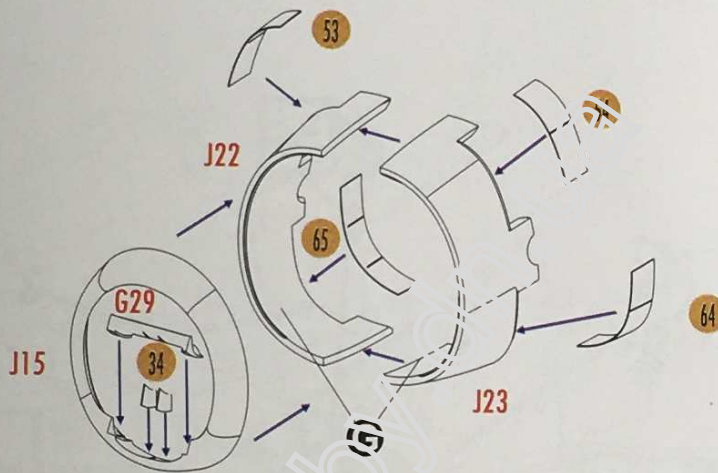
48



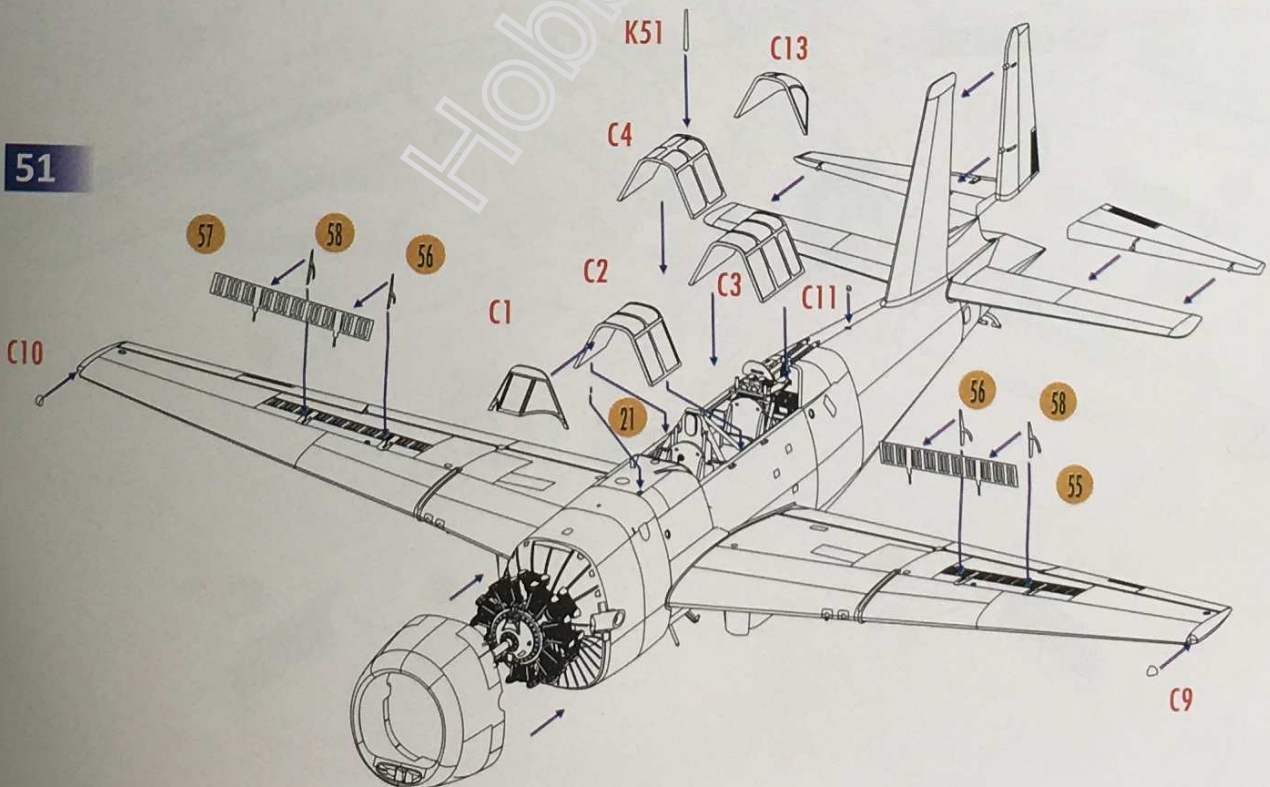
49



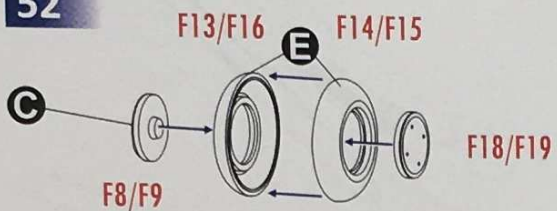
50



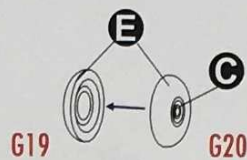
51



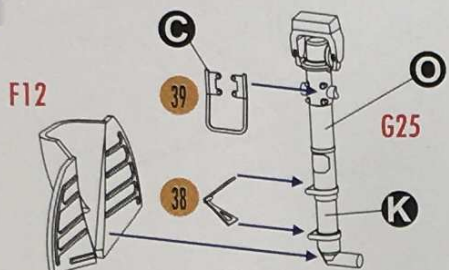
52



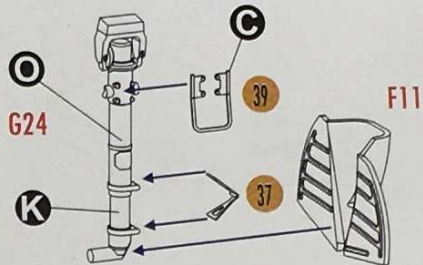
53



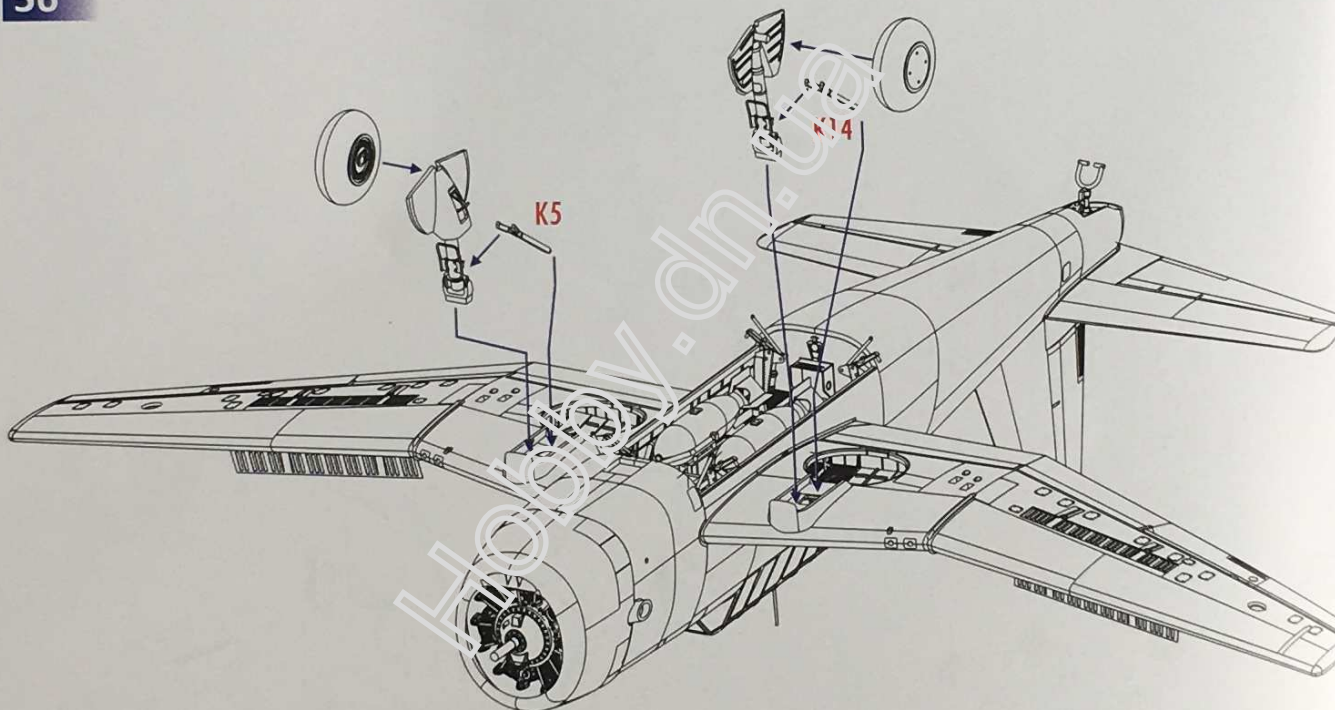
54



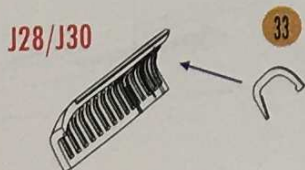
55



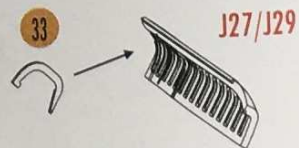
56



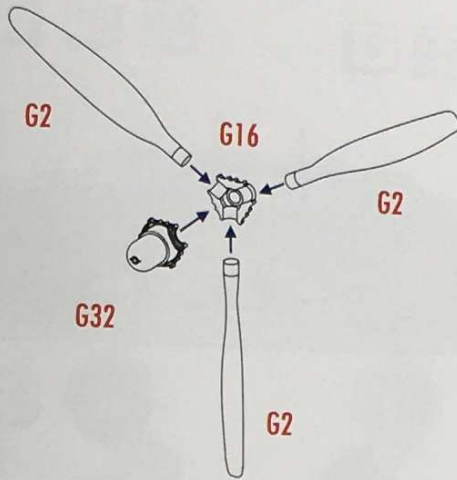
57



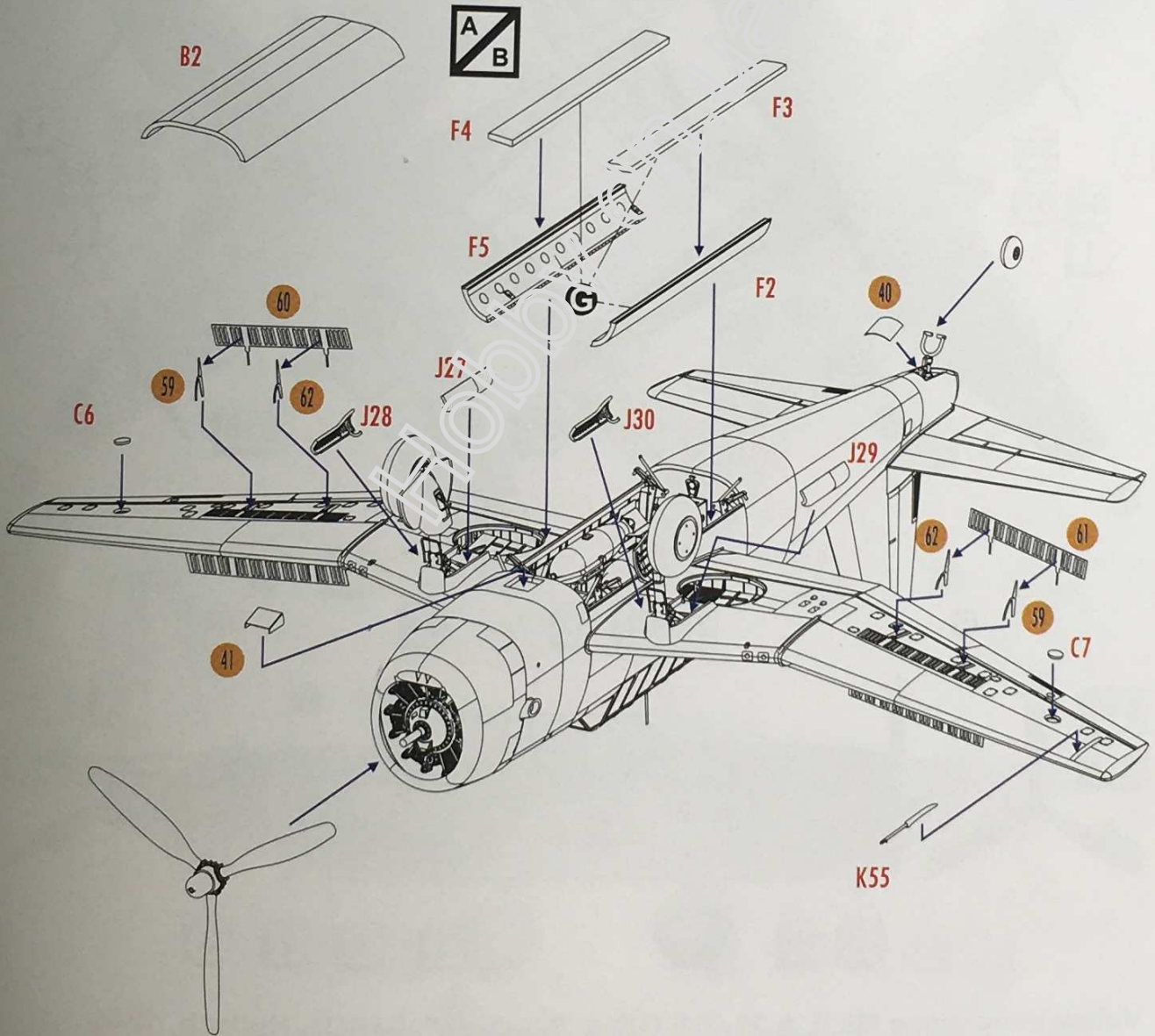
58

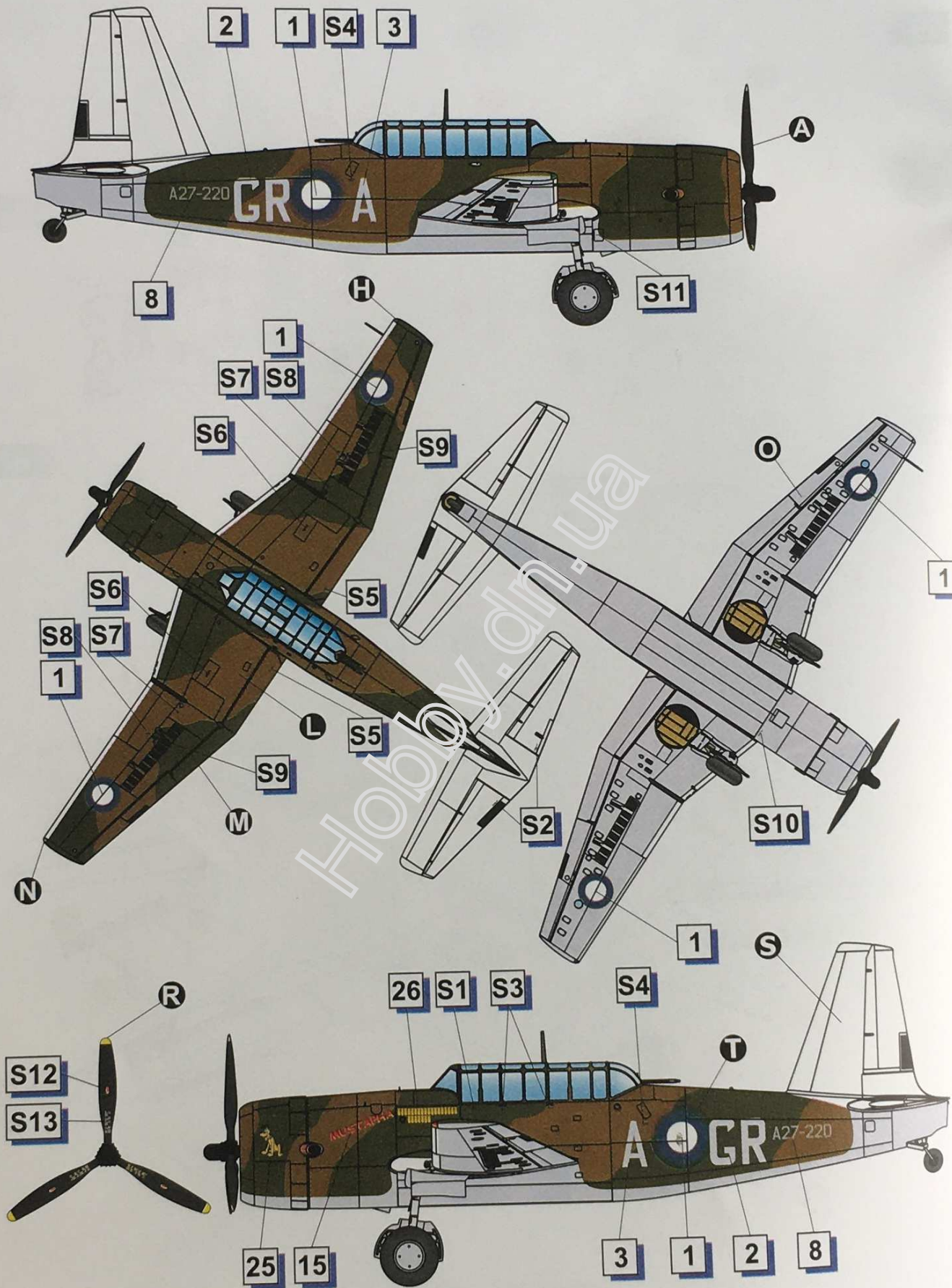


59



60

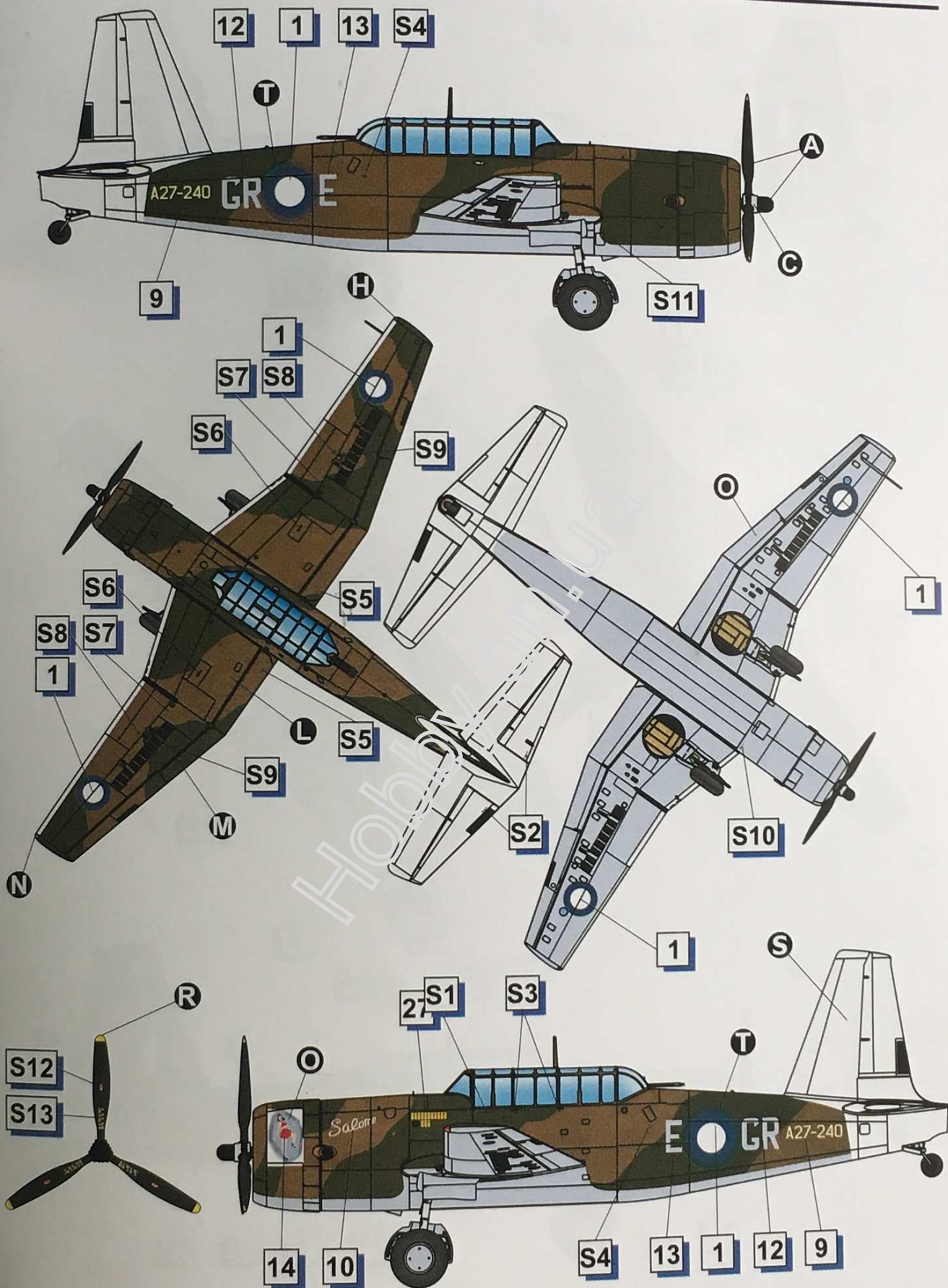




Vultee Vengeance Mk.II, A 27-220 GR-A "Mustafa". 24SQN Nadzab, 1944

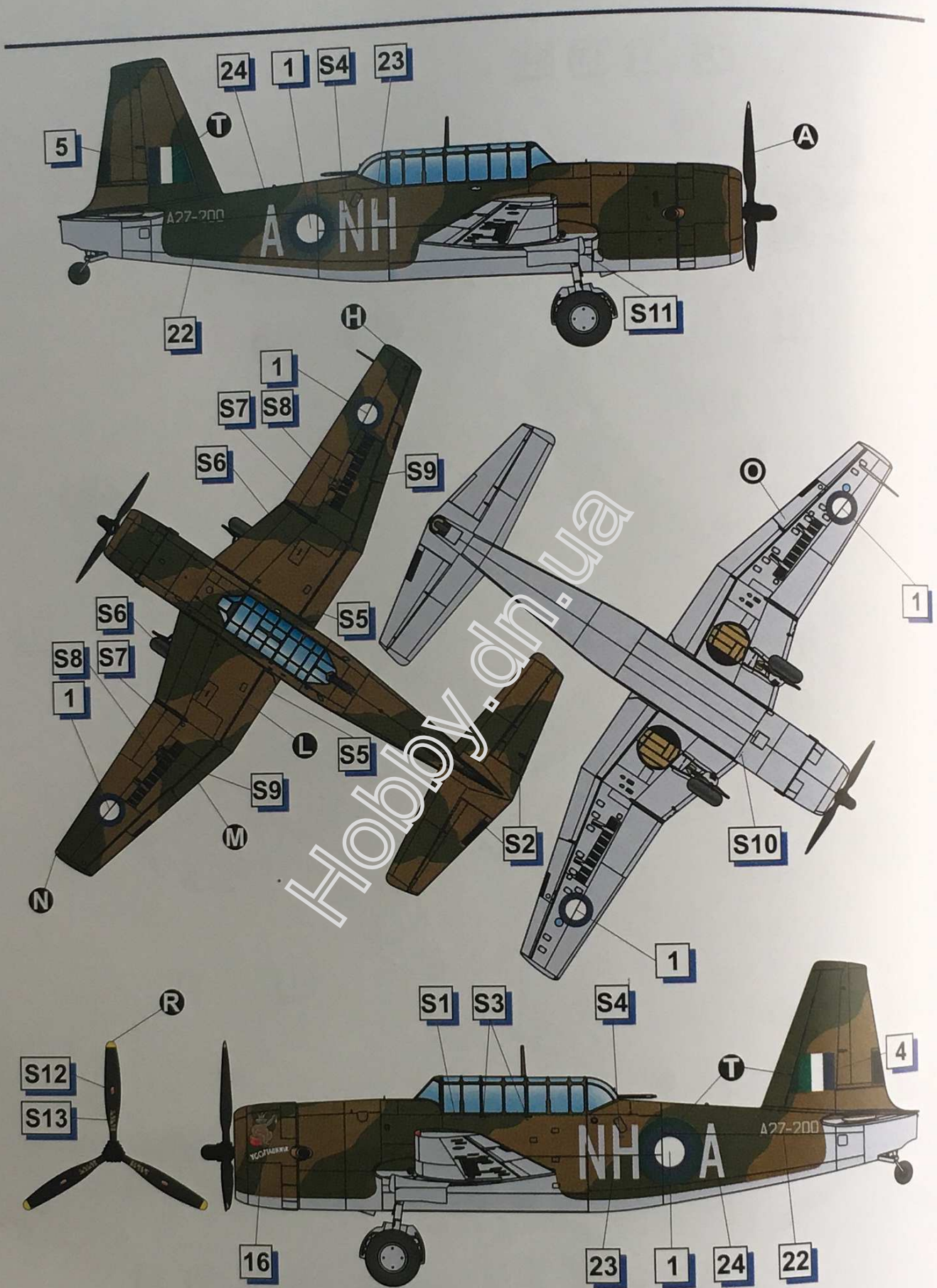
Vultee Vengeance MkII





Vultee Vengeance Mk.II, A 27-240 GR-E Salome. 24SQN "Tivoli Girls", 1944

Vultee Vengeance MkII



Vultee Vengeance Mk.II, A 27-200 NH-A "Ye Boss" & "Y"Gottabkwik".  
 12SQN Comanding Officer, Sept 1943



## COLOR TABLE

Color Chart		MR. HOBBY	Tamiya	AMMO MIG	Hataka	LIFECOLOR
Black	<b>A</b>	C33/H12	XF-1	MIG 046	HTK 100	LC 02
Olive Drab	<b>B</b>	C38/H78	XF-62	MIG 0237	HTK 004	UA 005
Aluminium	<b>C</b>	MC 218	XF-16	MIG 194	HTK 078	LC 24
Gun Metal	<b>D</b>	C78/H28	X-10	MIG 045	HTK 106	LC 26
Rubber Black	<b>E</b>	C137/H77	XF-85	MIG 035		UA 733
Interior Green	<b>F</b>	C351/H58		MIG 0220	HTK 211	UA 004
Yellow Chromat	<b>G</b>	C352				
Clear Green	<b>H</b>	C138/H94	XF-25	MIG 092		
Burnt Iron	<b>I</b>	C61/H76	XF-21	MIG 187		LC 37
Signal Red	<b>J</b>	C79/H11		MIG 049	HTK-103	LC 56
Polished metal	<b>K</b>	MC 211	XF-35	MIG 0192		
RAF Dark Earth	<b>L</b>	C369/H72			HTK-009	UA-547
RAF Dark Green	<b>M</b>	C330/H330	XF-81	MIG 915	HTK 143	UA 546
Clear Red	<b>N</b>	C47/H90	XF-27	MIG 093		
RAAF Sky blue	<b>O</b>	C115/H61	XF-23	MIG-0231	HTK-029	UA 061
Engine Gray	<b>P</b>	C339/H339	XF-2	MIG 0908	HTK 030	UA 030
Yellow	<b>R</b>	C329/H329	X-8		HTK 107	
White	<b>S</b>	C62/H11	XF-2	MIG 0047	HTK 101	LC 01
Foliage green	<b>T</b>	C302/H302	XF-26	MIG-0238	HTK-056	UA 008



### USED SYMBOLS



CEMENT



DON'T CEMENT



REMOVE



SYMMETRICAL



MULTIPLE



BEND



OPEN WHOLE



VARIANTS



TO PAINT