



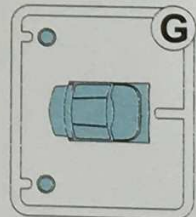
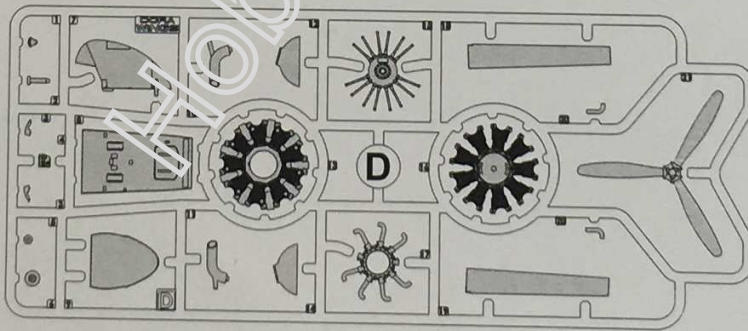
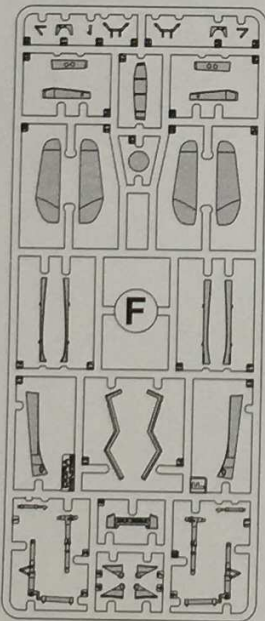
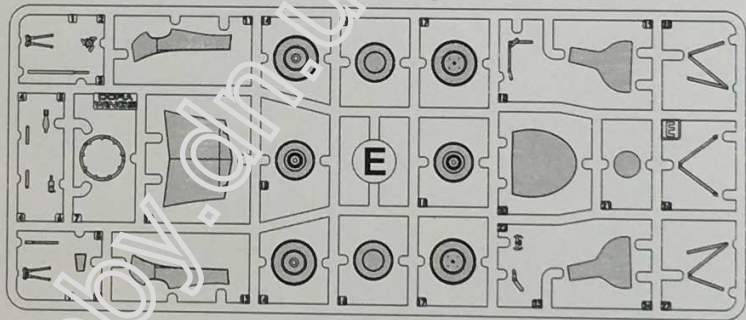
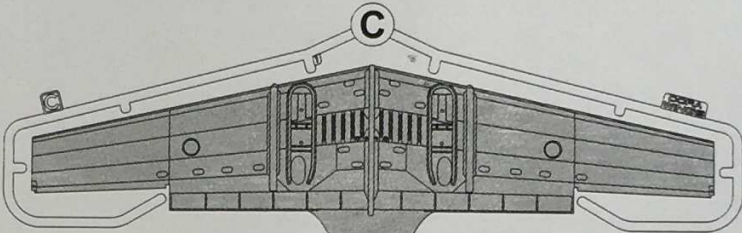
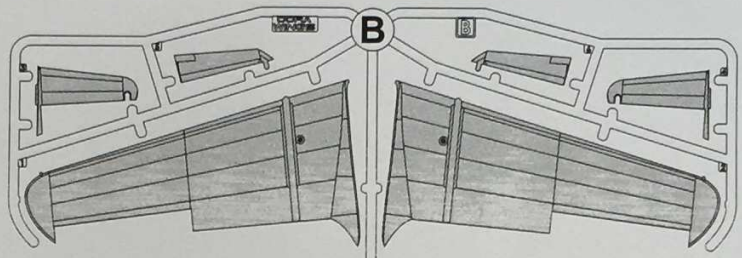
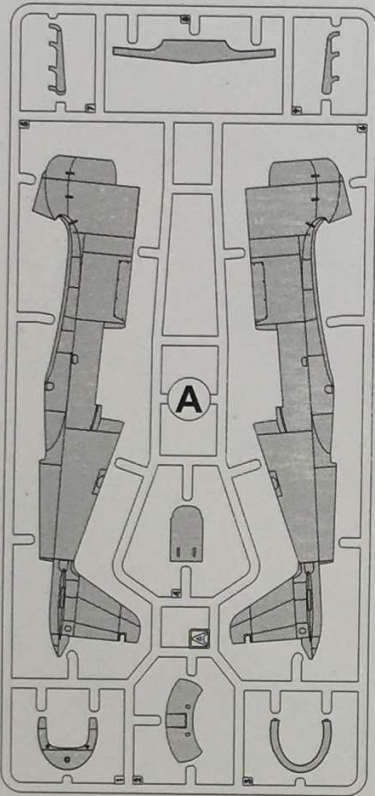
1/48 SCALE MODEL CONSTRUCTION KIT



Curtiss-Wright CW-21A Demonstrator

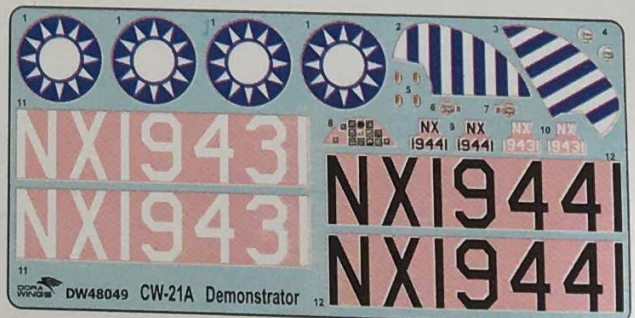
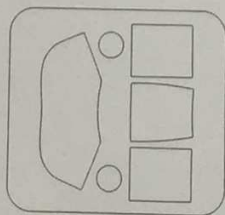
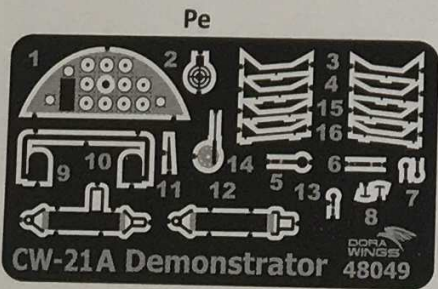
DW 48049

PARTS OF THE MODEL



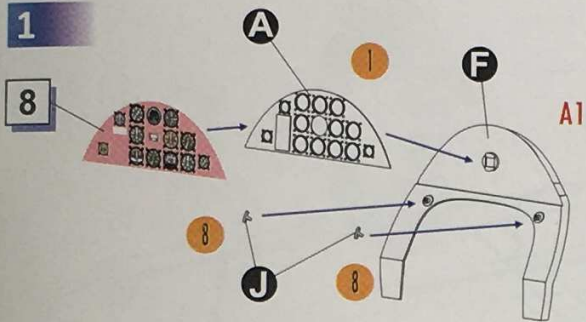
Mask

Decal

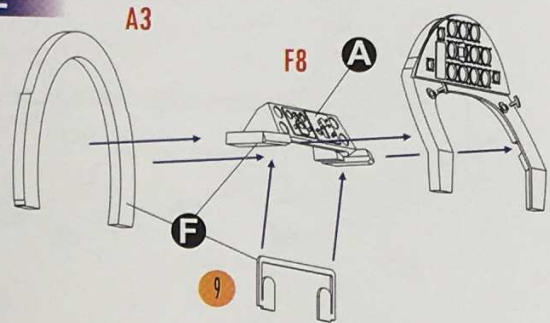


ASSEMBLY INSTRUCTION

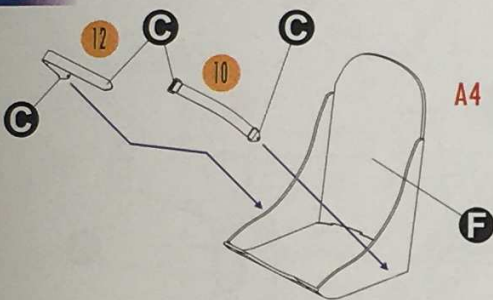
1



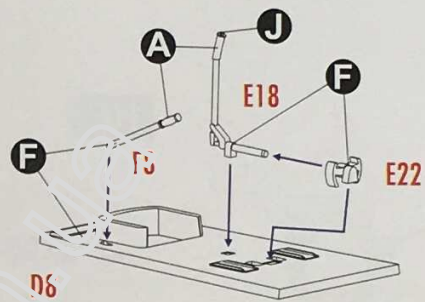
2



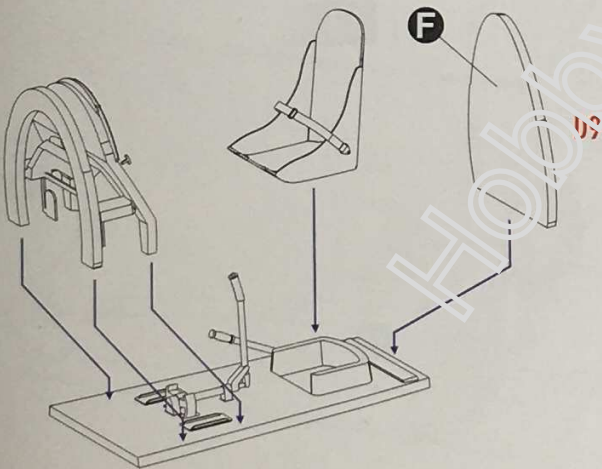
3



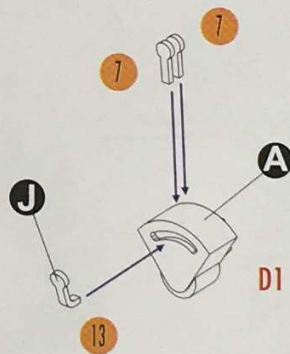
4



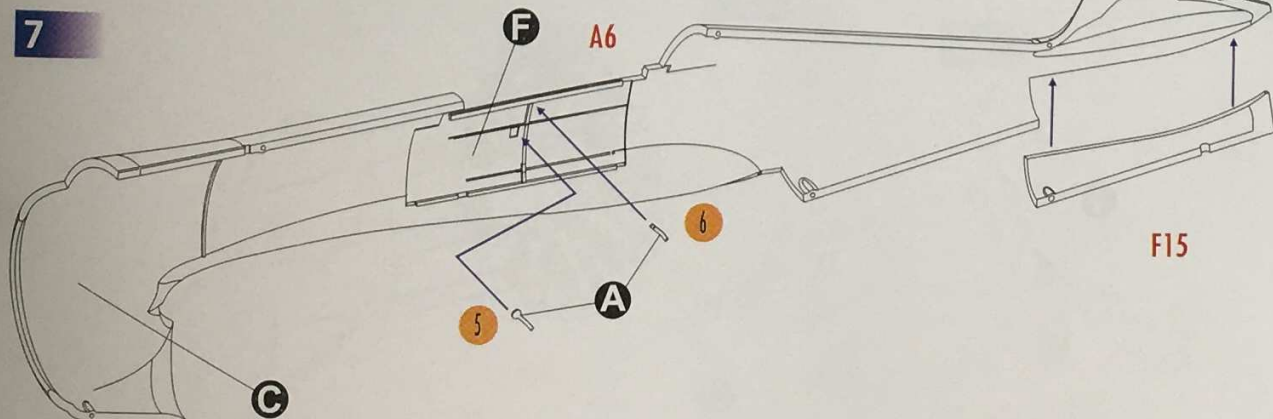
5



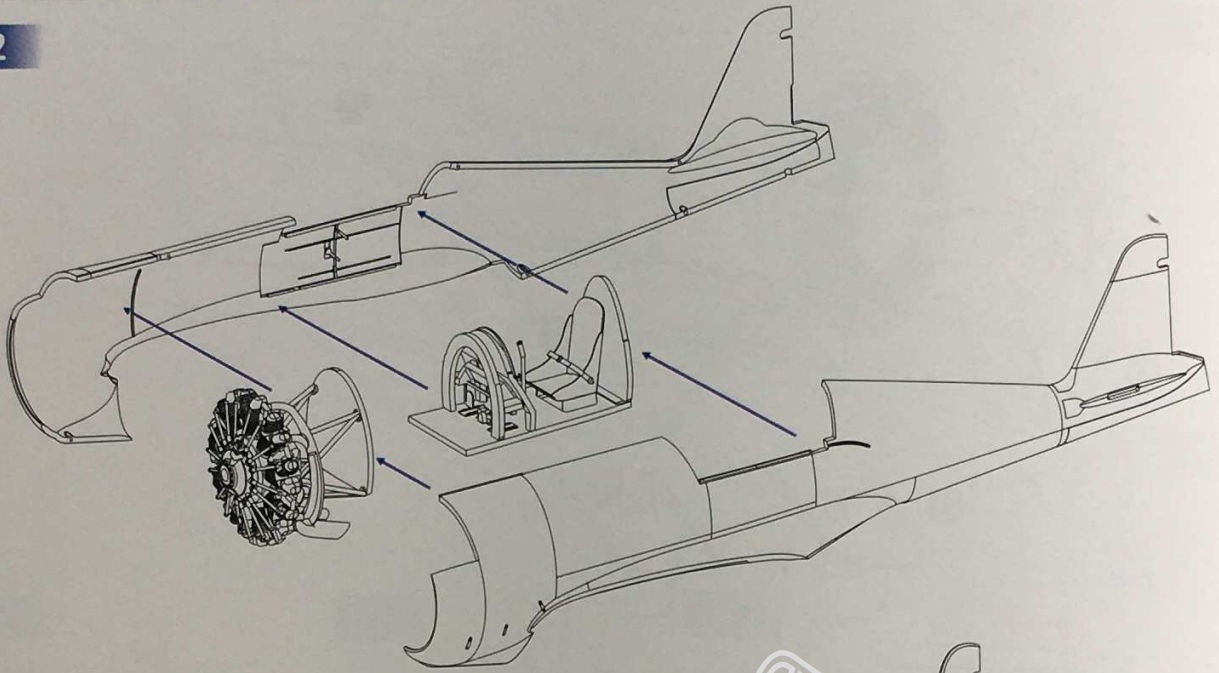
6



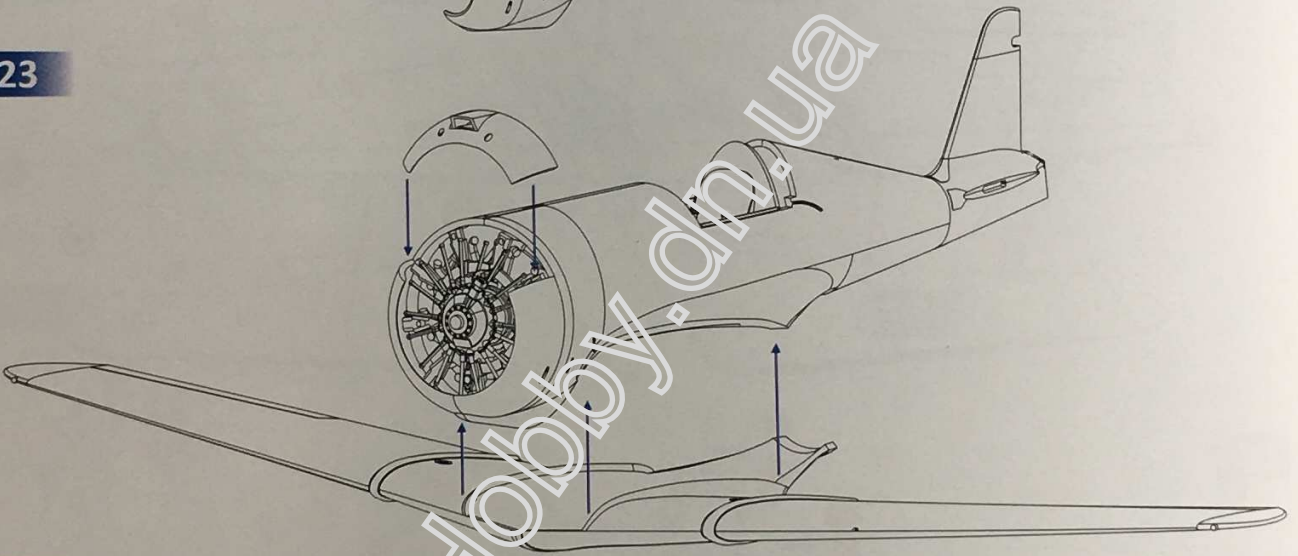
7



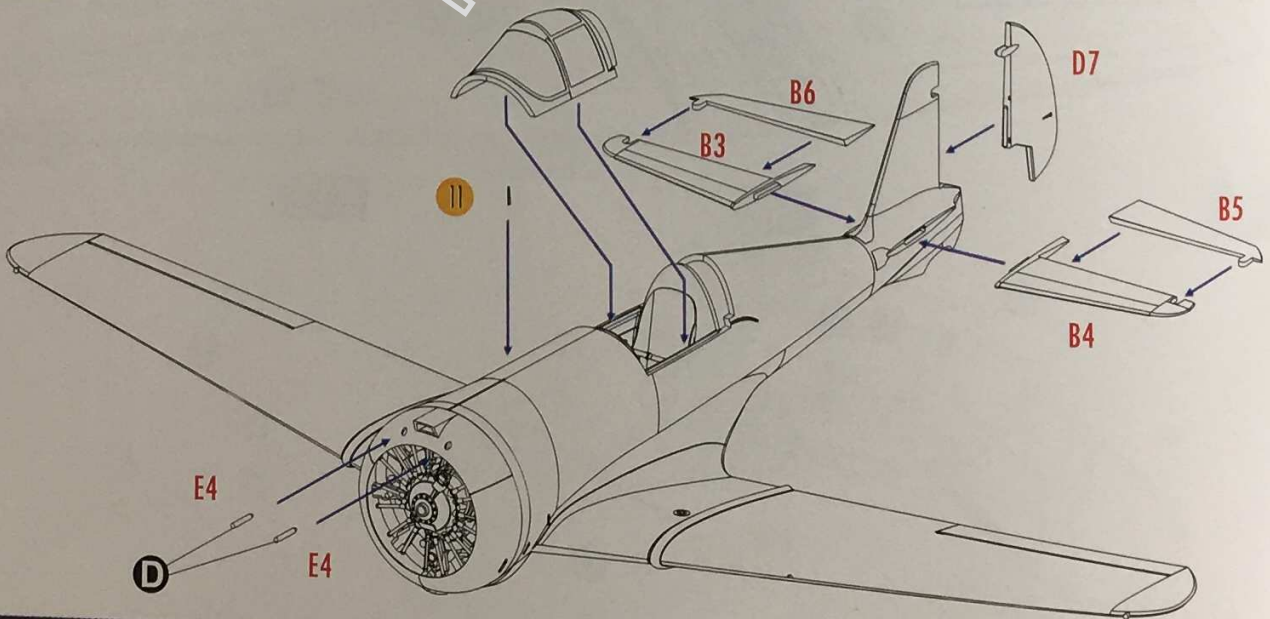
22



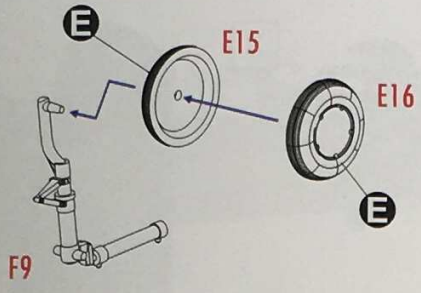
23



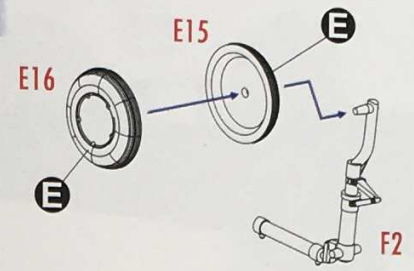
24



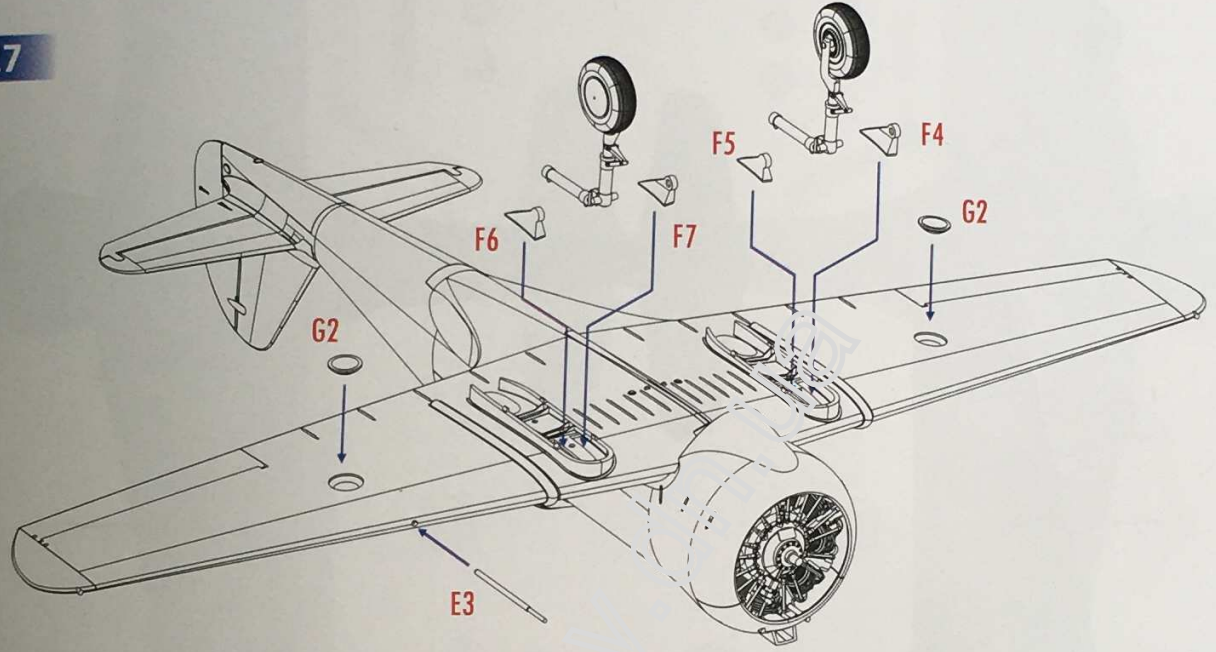
25



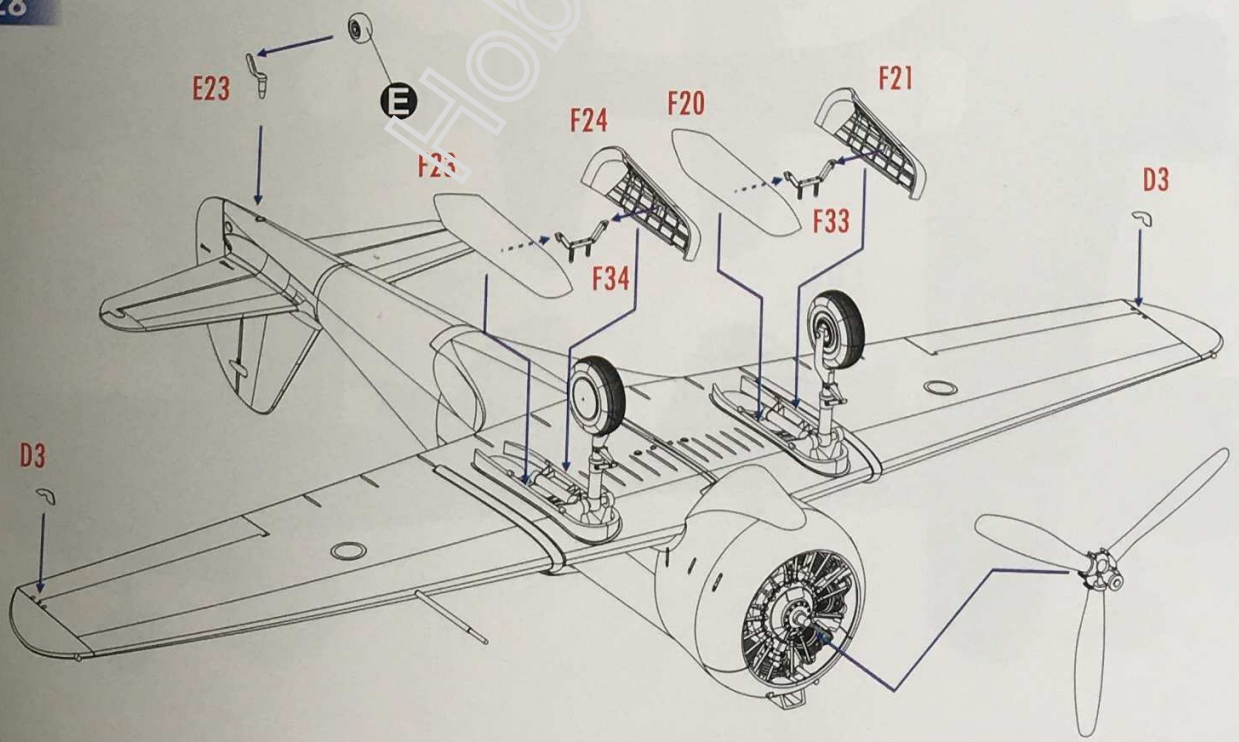
26

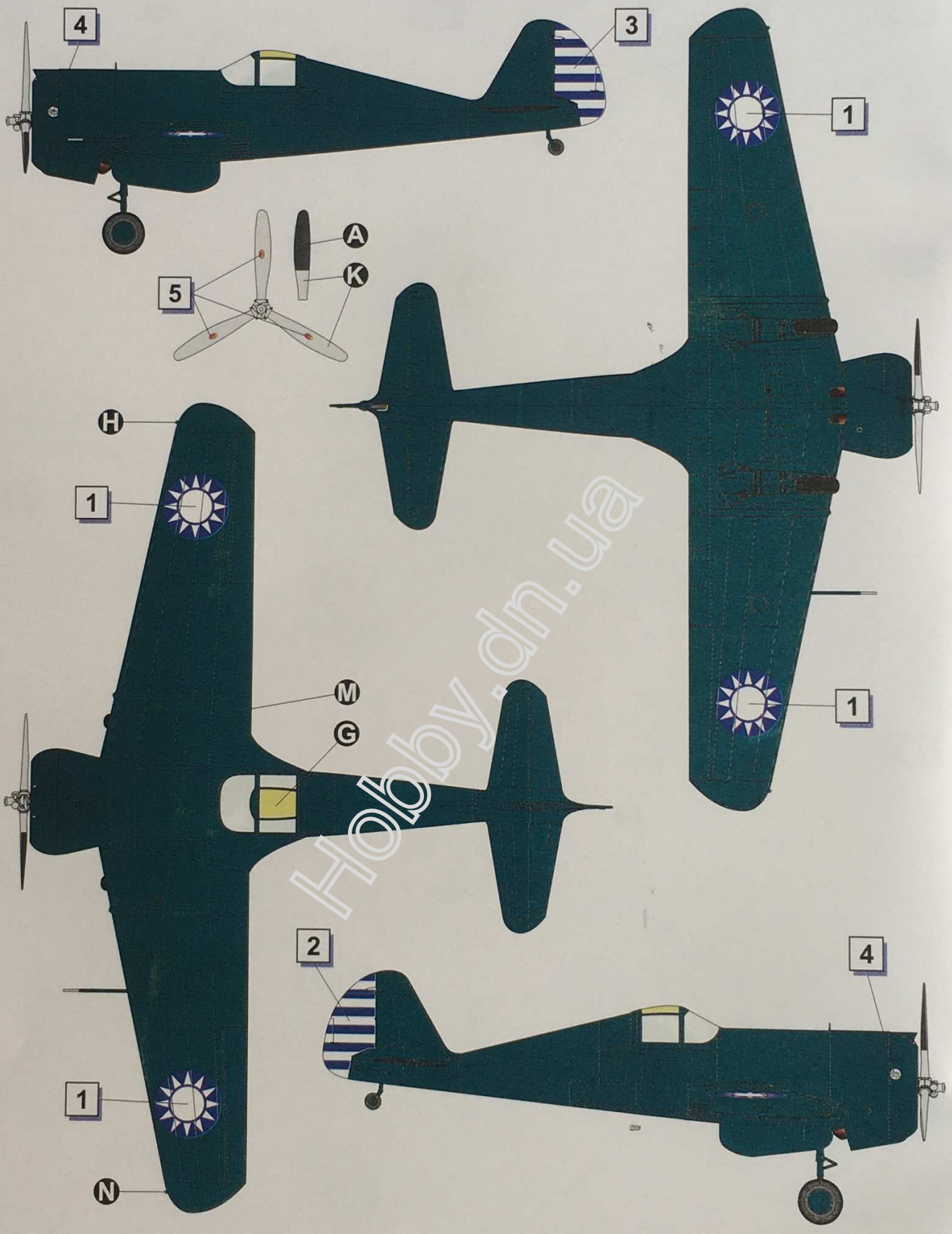


27

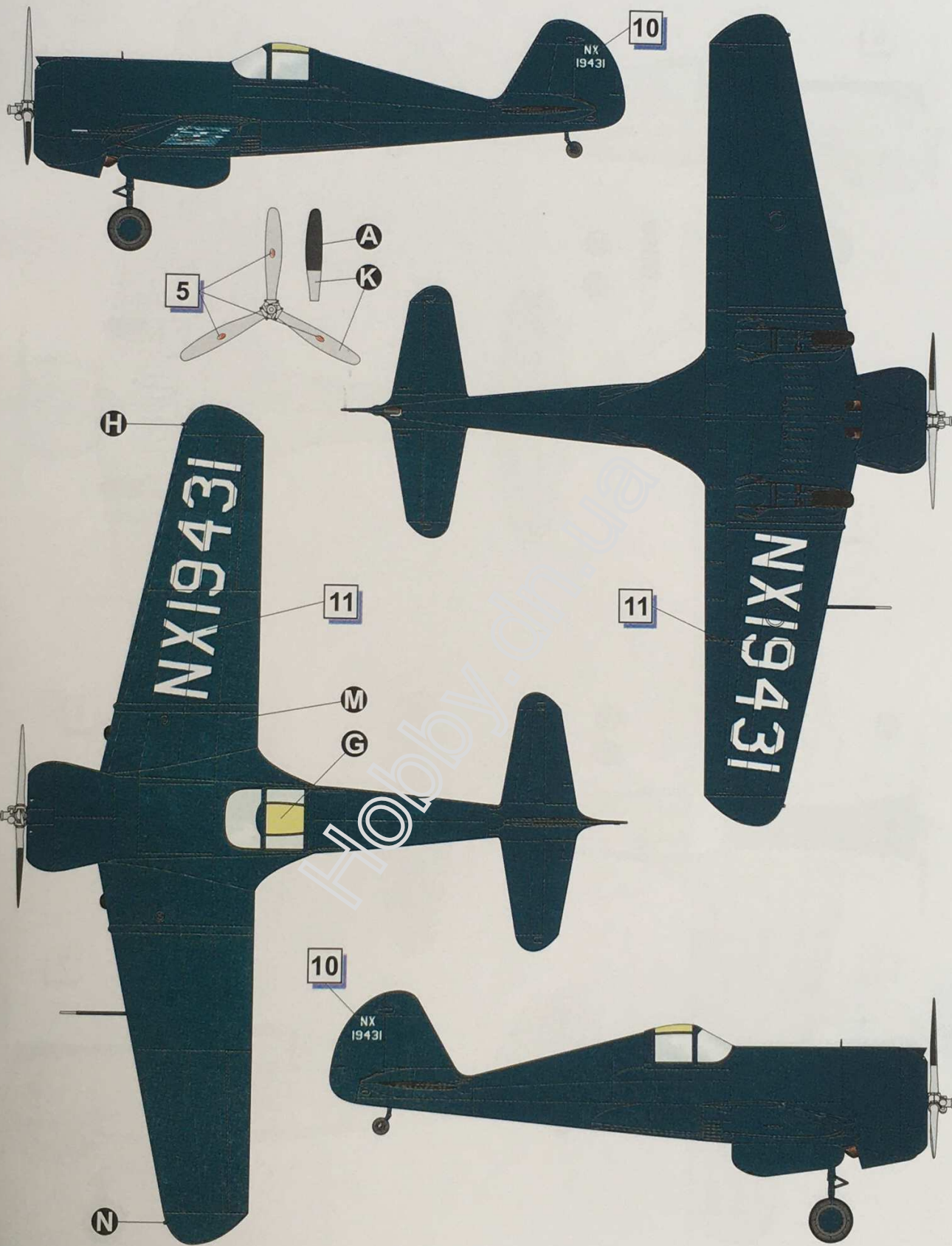


28





Chungking, China, March 1939



First prototype (c/n 21-1), September 1938, St Louis

COLOR TABLE

Color Chart		MR. HOBBY	Tamiya	AMMO MIG	Hataka	LIFECOLOR
Black	A	C33/H12	XF-1	MIG 046	HTK 100	LC 02
Silver	B	C8/H8	X-32	MIG 195	HTK B003	LC 74
Aluminium	C	MC 218	XF-16	MIG 194	HTK 078	LC 24
Gun Metal	D	C78/H28	X-10	MIG 045	HTK 106	LC 26
Rubber Black	E	C137/H77	XF-85	MIG 035		UA 733
Interior Green	F	C351/H58		MIG 0220	HTK 211	UA 004
Clear Yellow	G	C48/H91	X-24			
Clear Green	H	C138/H94	XF-25	MIG 092		
Burnt Iron	I	C61/H76	XF-31	MIG 187		LC 37
Signal Red	J	C79/H11	XF-1	MIG 049	HTK-103	LC 56
Polished metal	K	MC 211	XF-56	MIG 0192		
Olive Drab	L	C38/H78	XF-62	MIG 0237	HTK 004	UA 005
Petroleum Blue	M	C124+C72	XF-18		HTK 207	
Clear Red	N	C47/H90	XF-27	MIG 093		
Engine Gray	O	C339/H329	XF-2	MIG 0908	HTK 030	UA 030
Yellow	P	C329/H329	X-8		HTK 107	



USED SYMBOLS



CEMENT



DON'T CEMENT



REMOVE



SYMMETRICAL



MULTIPLE



BEND



OPEN WHOLE



VARIANTS



TO PAINT