



1/72 SCALE MODEL CONSTRUCTION KIT

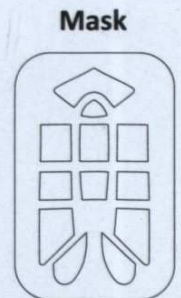
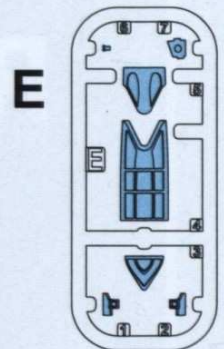
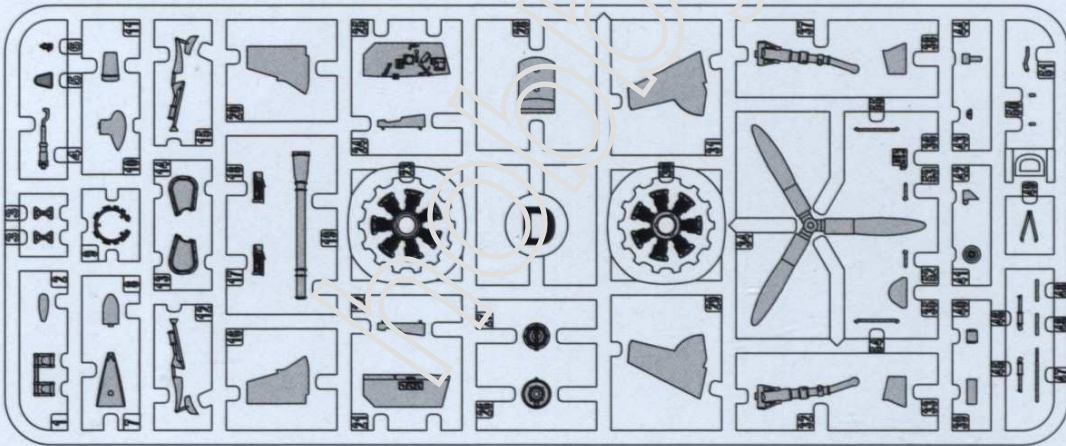
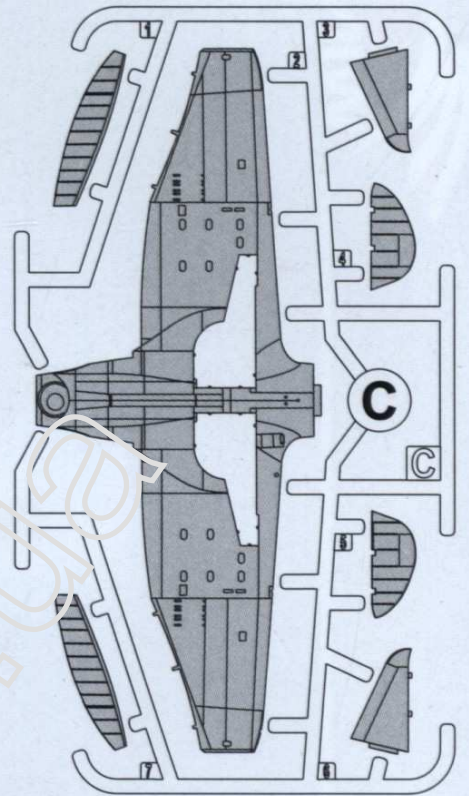
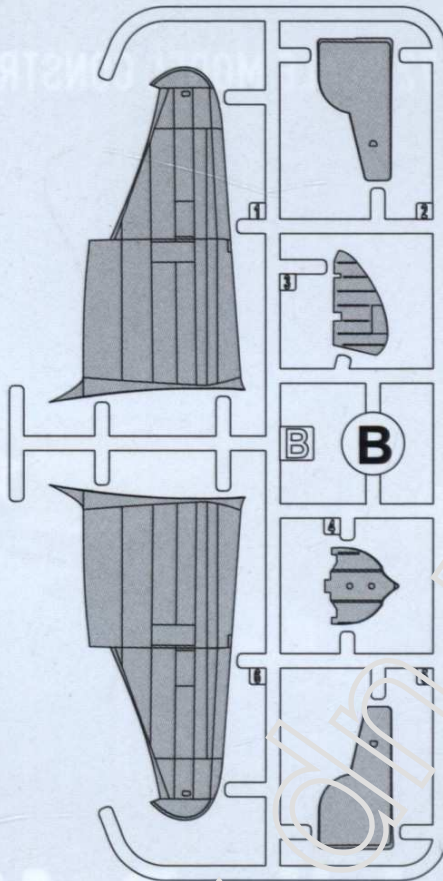
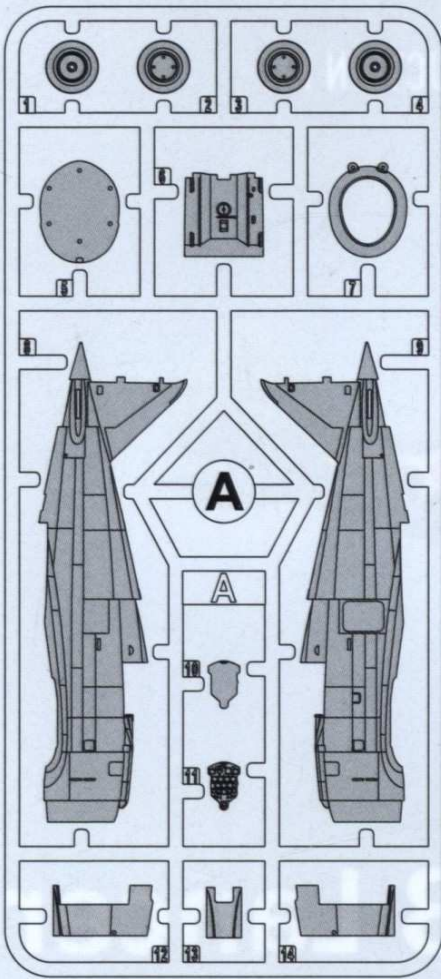


# Republic P-43 Lancer

DW 72027

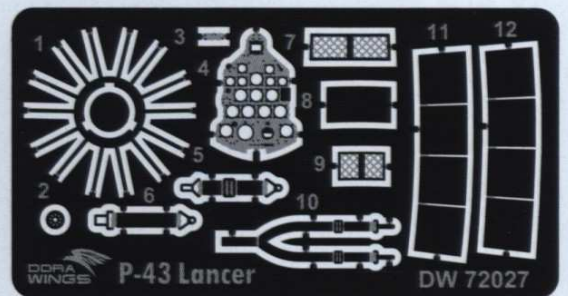
hobby-dn.us

# PARTS OF THE MODEL



Decal

Pe

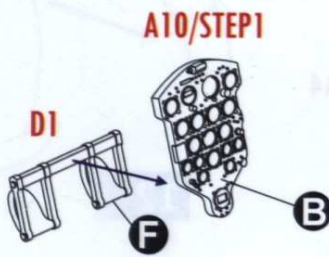


# ASSEMBLY INSTRUCTION

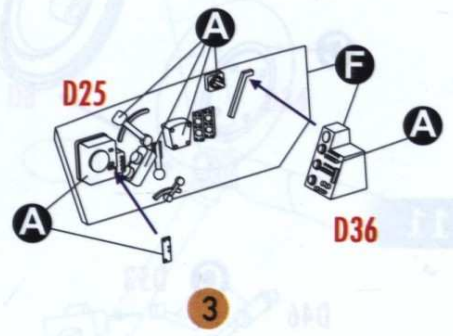
1



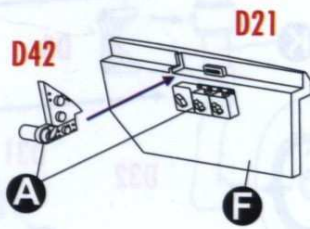
2



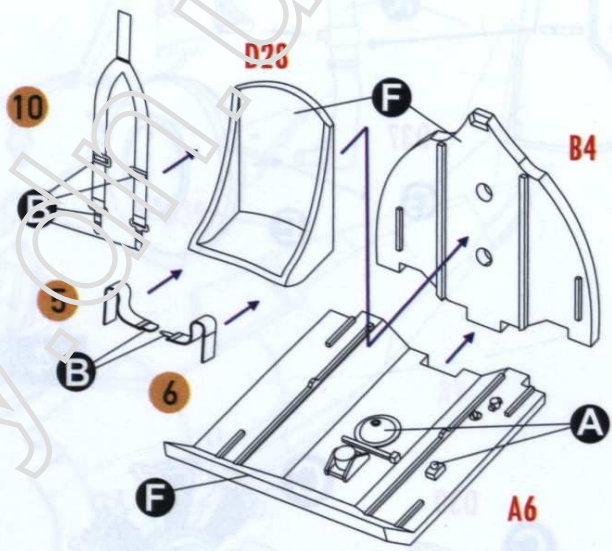
3



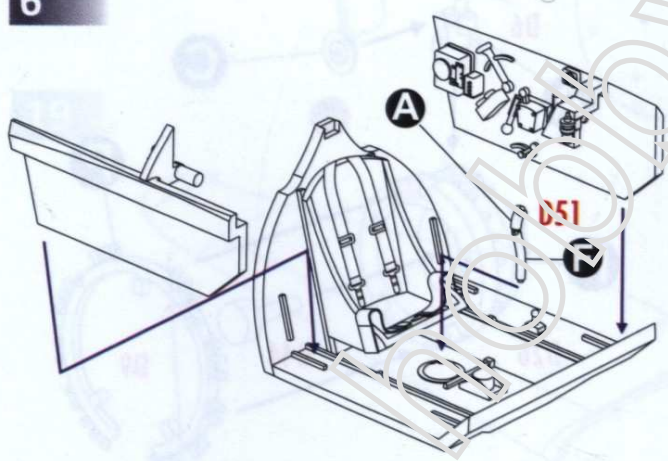
4



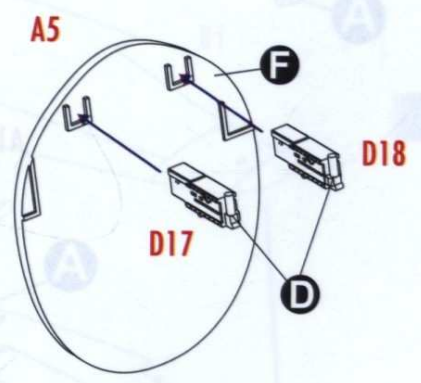
5



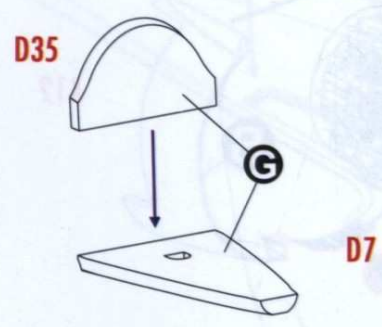
6



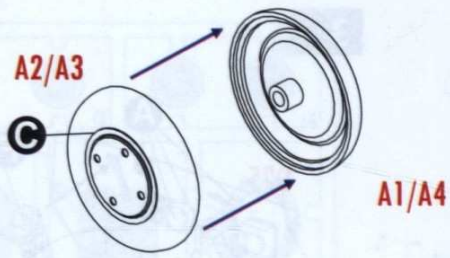
7



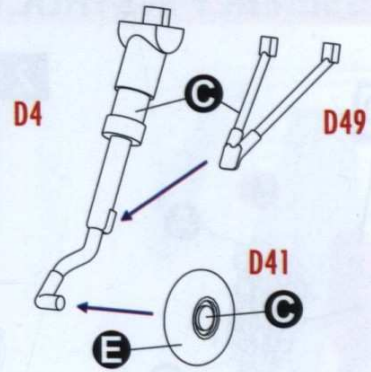
8



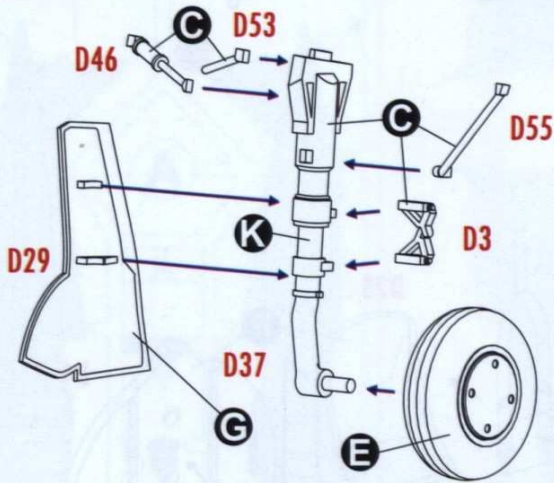
9



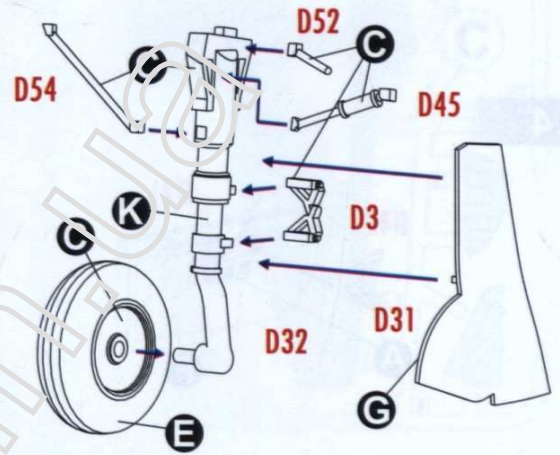
10



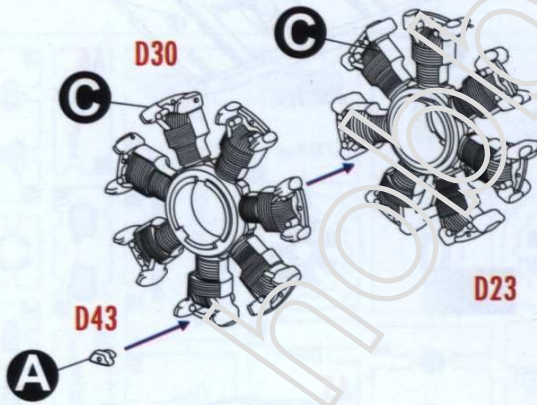
11



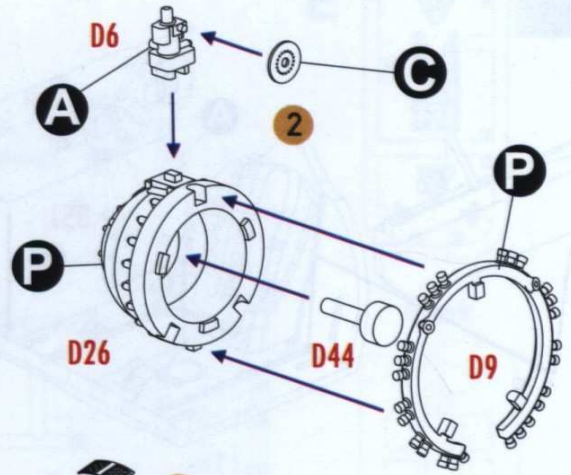
12



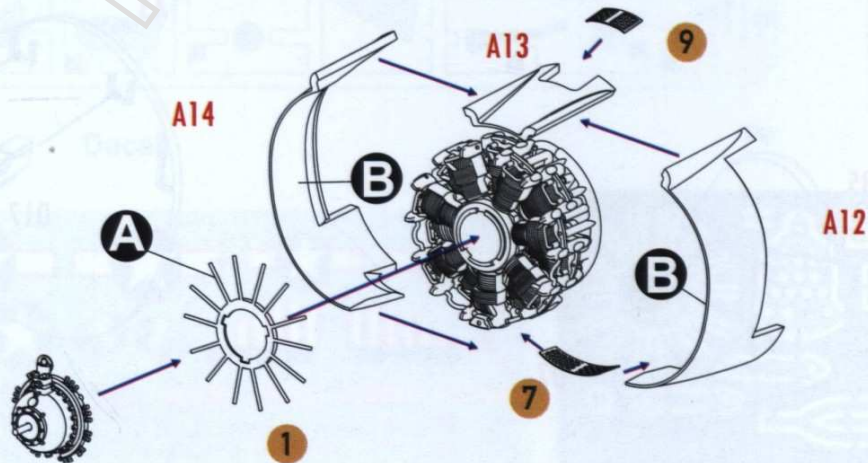
13



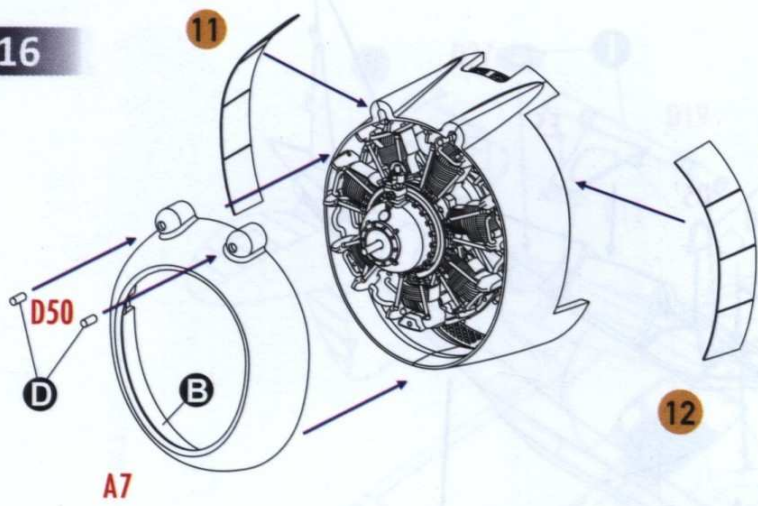
14



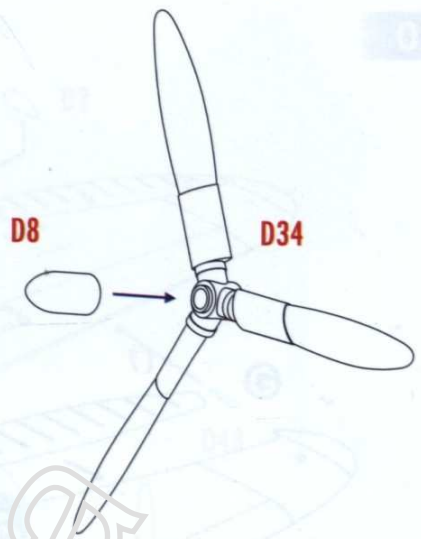
15



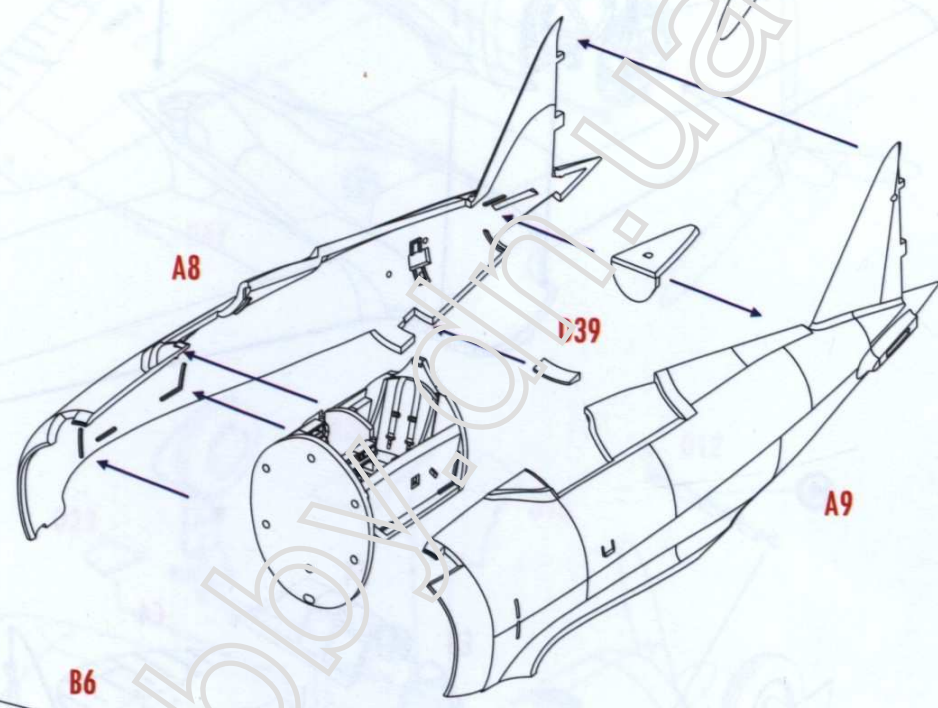
16



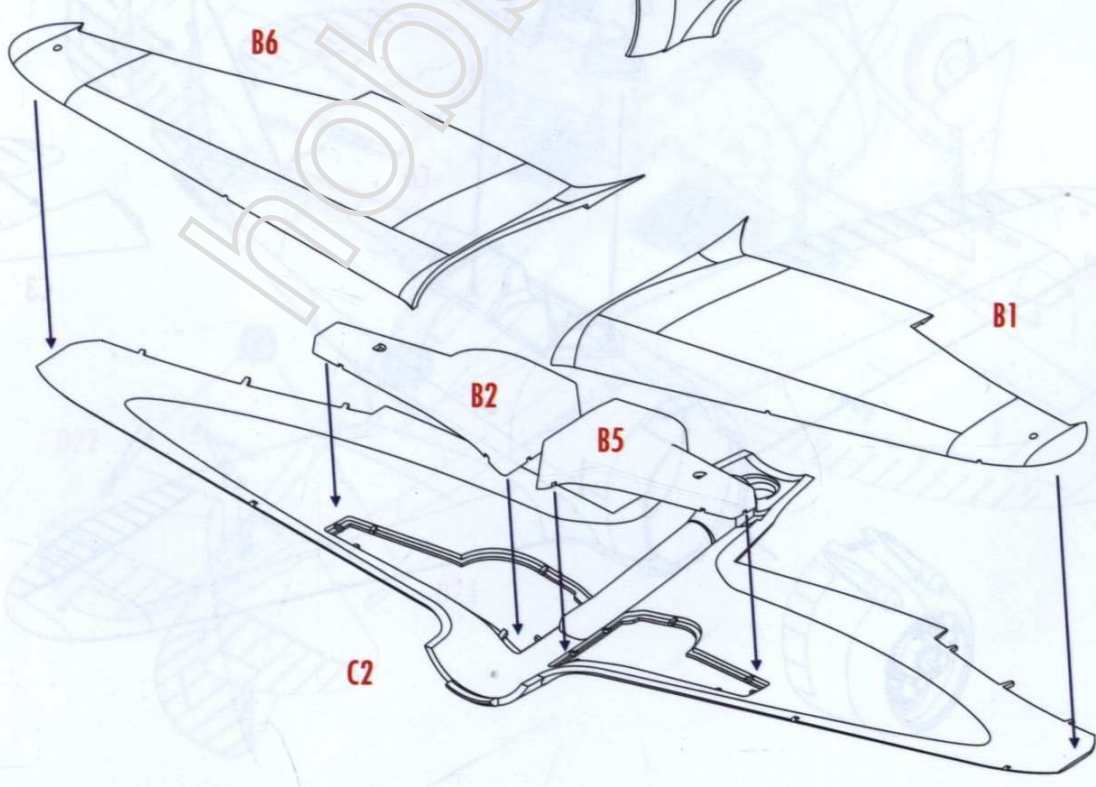
17



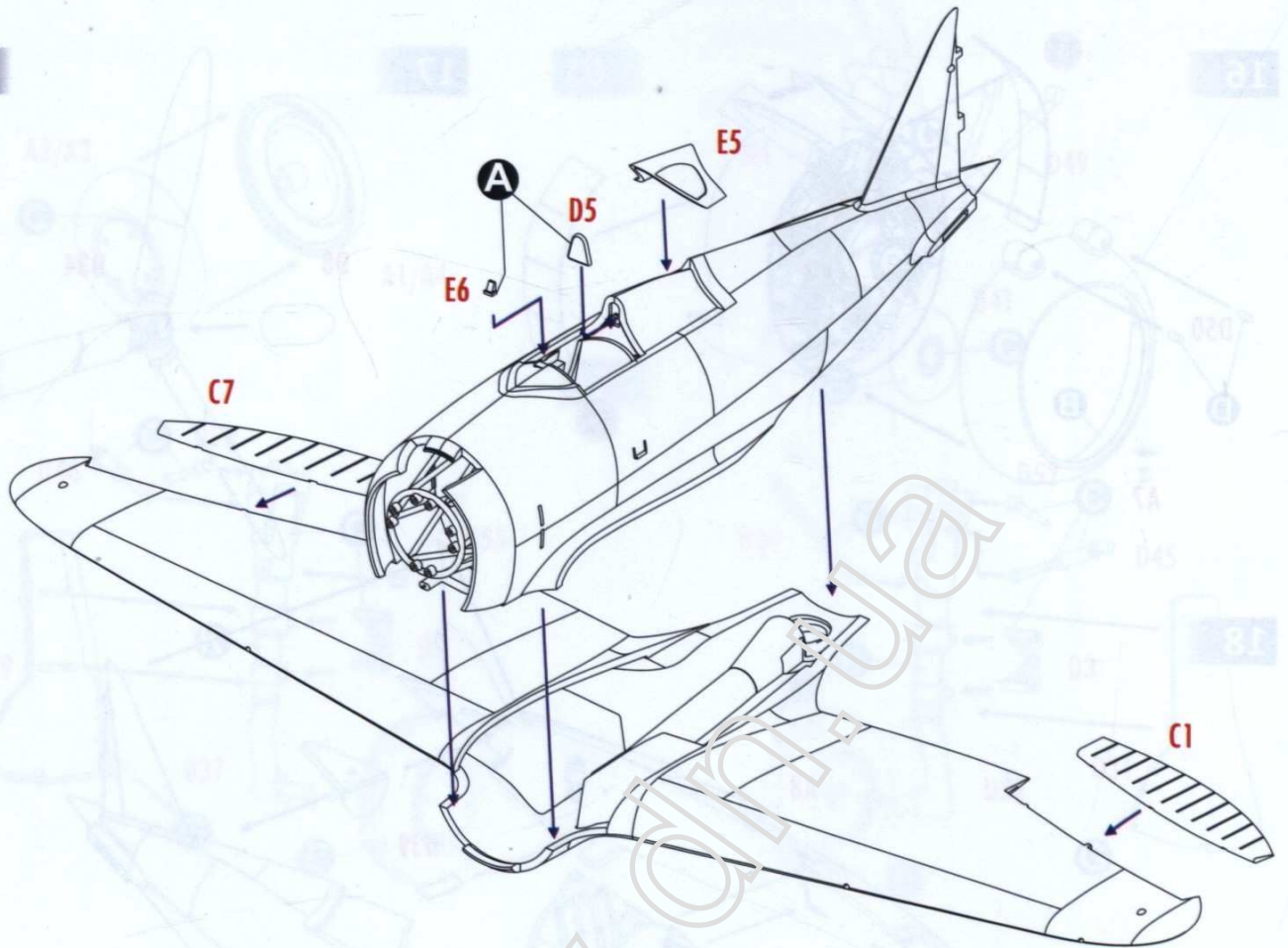
18



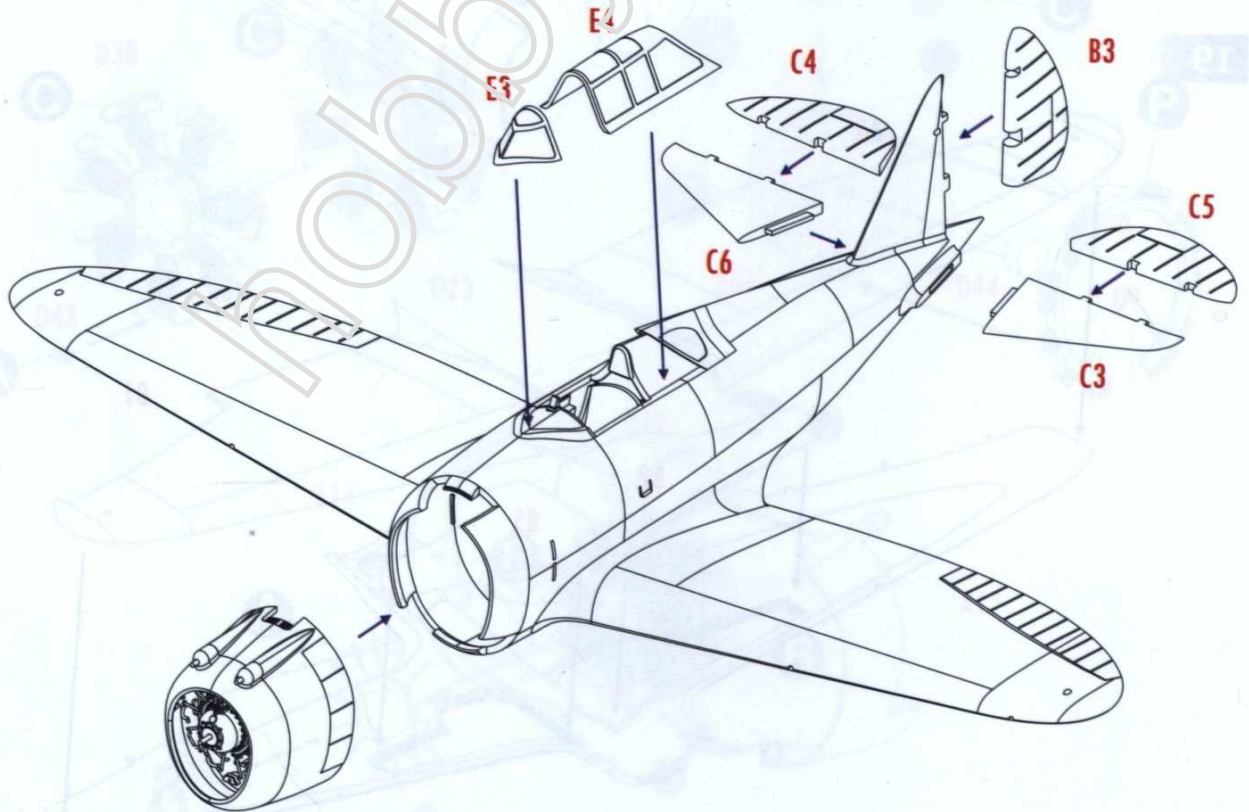
19



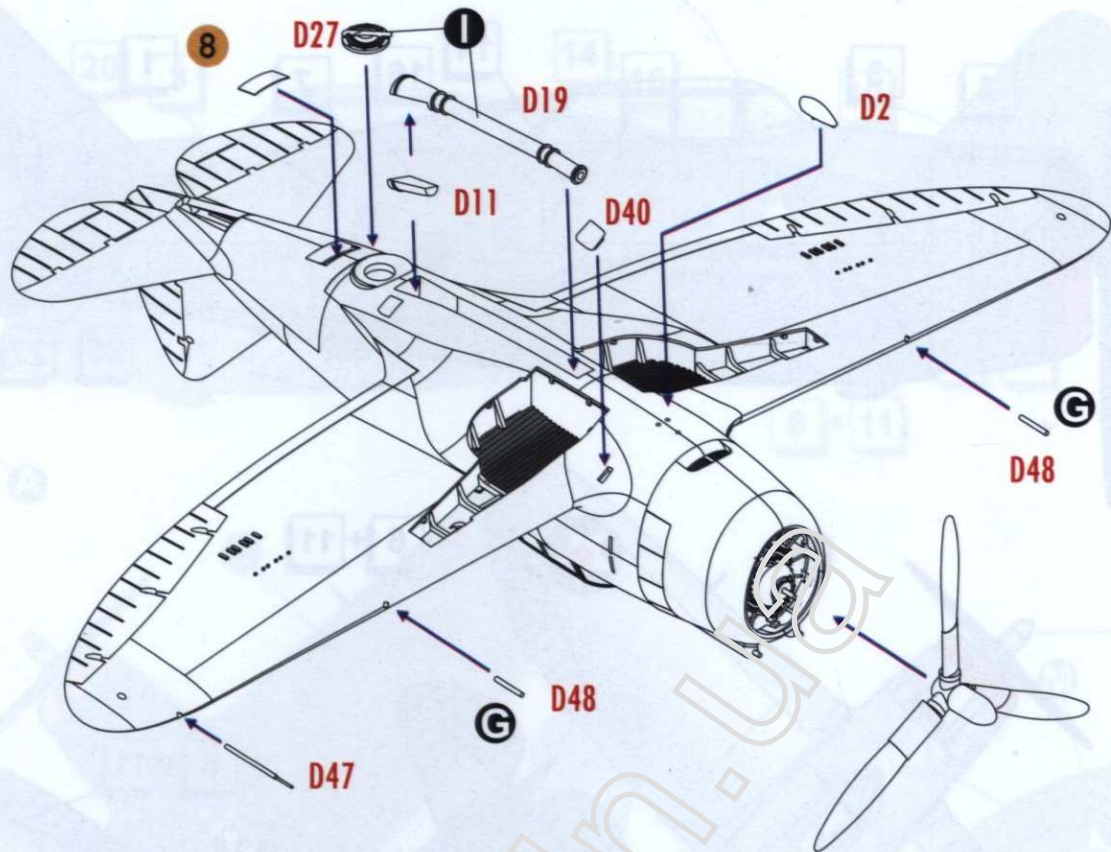
20



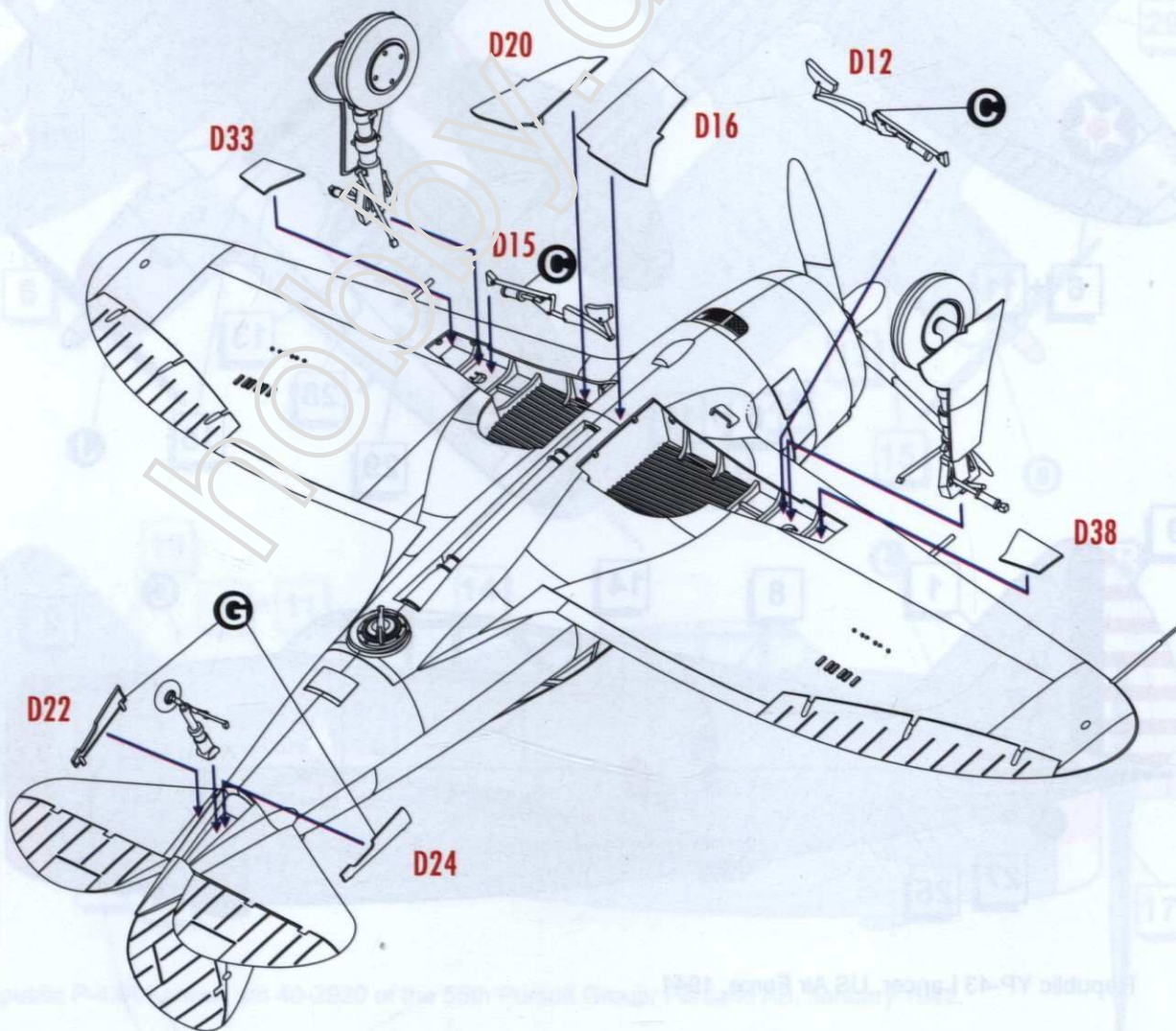
21

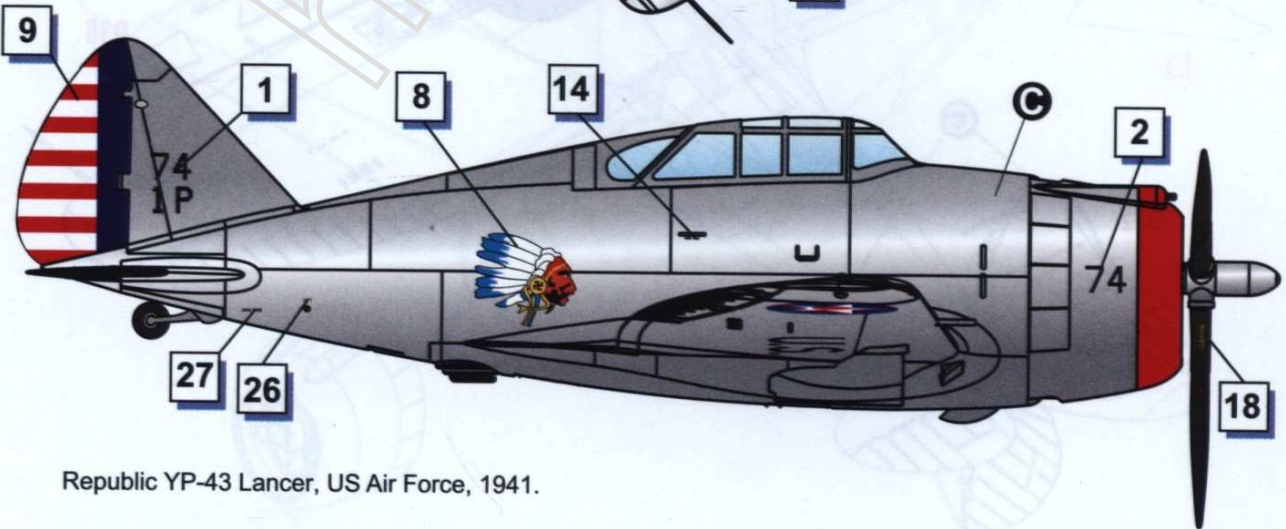
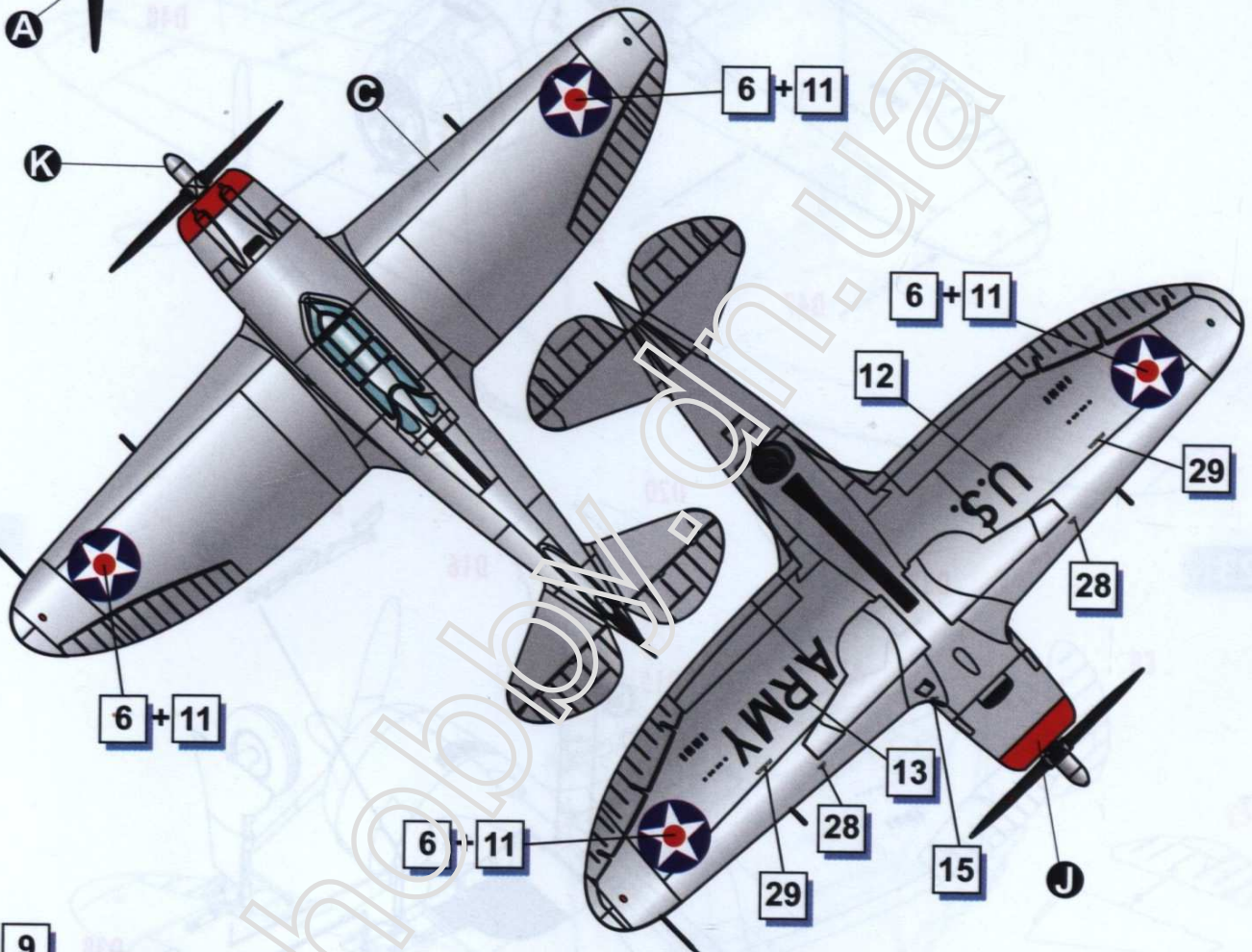
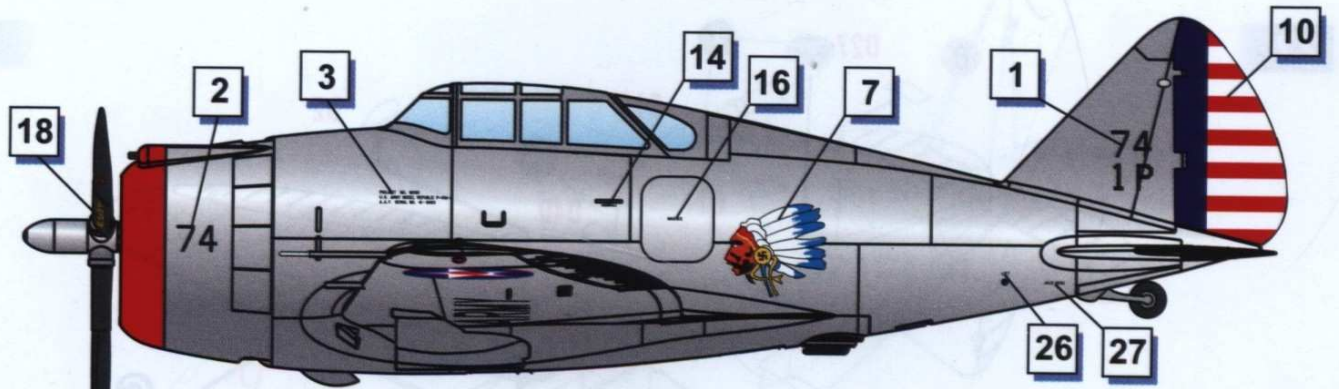


22



23





Republic YP-43 Lancer, US Air Force, 1941.

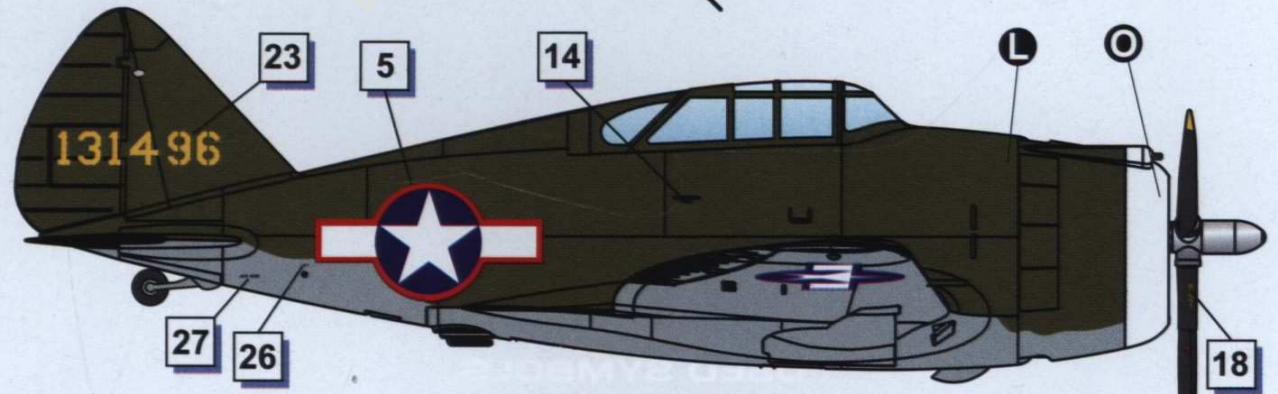
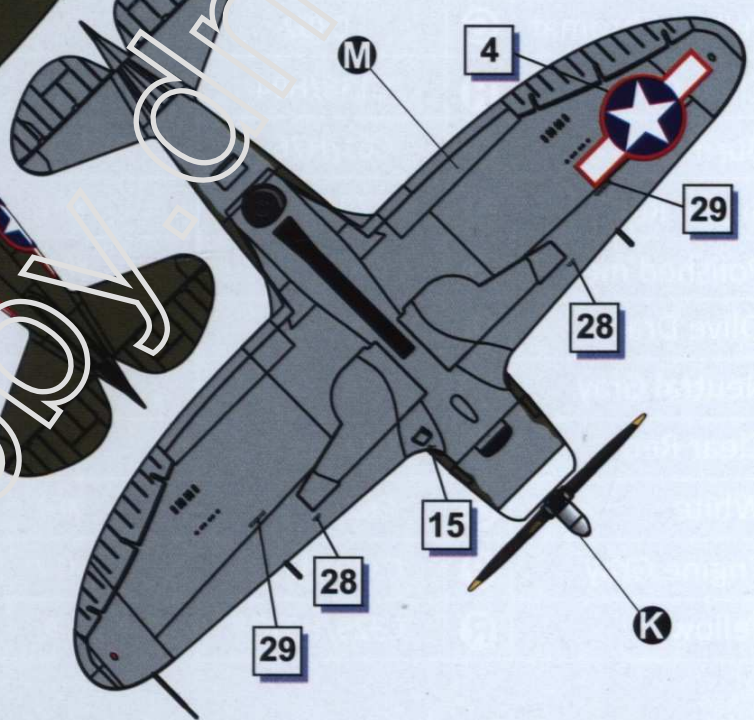
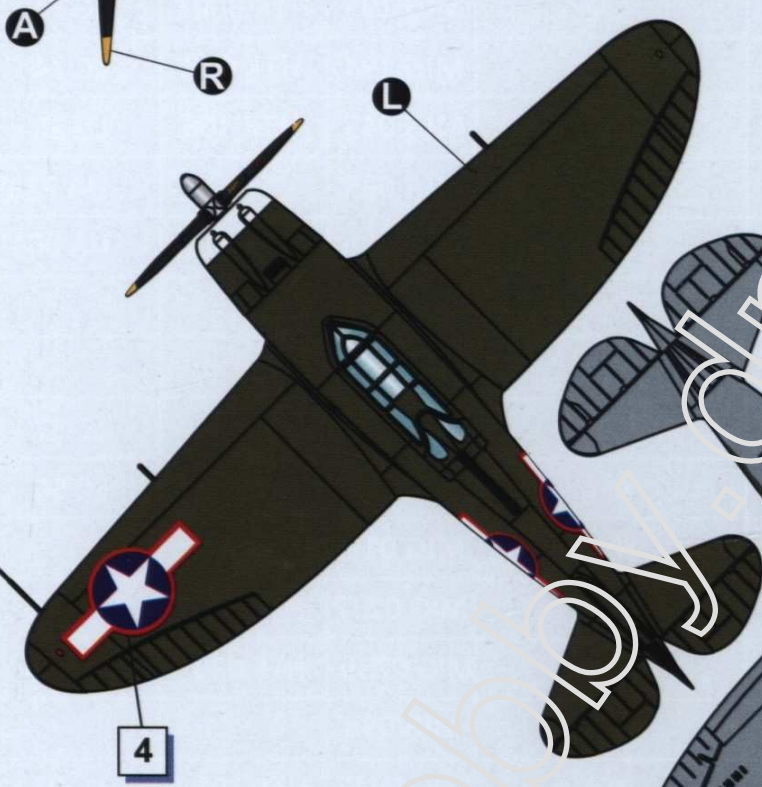
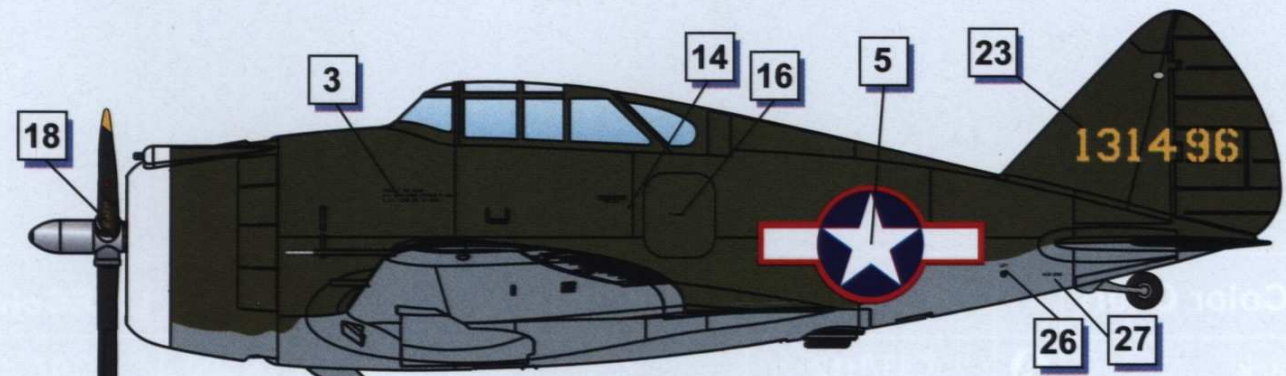




Republic P-43A Lancer, s/n 40-2920 of the 55th Pursuit Group, Portland AB, January 1942.

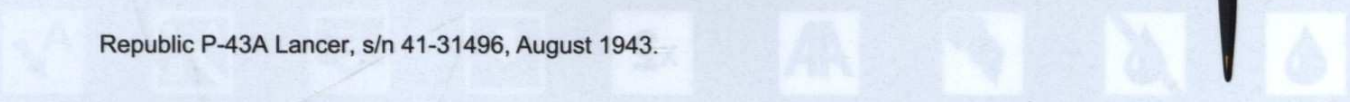


Republic P-43A Lancer, US Air Force, s/n 41-6721, 1942.



Republic P-43A Lancer, s/n 41-31496, August 1943.

hobby.com



## COLOR TABLE

Color Chart		MR. HOBBY	Tamiya	AMMO MIG	Hataka	LIFECOLOR
Black	<b>A</b>	C33/H12	XF-1	MIG 046	HTK 100	LC 02
Silver	<b>B</b>	C8/H8	X-32	MIG 195	HTK B003	LC 74
Aluminium	<b>C</b>	MC 218	XF-16	MIG 194	HTK 078	LC 24
Gun Metal	<b>D</b>	C78/H28	X-10	MIG 045	HTK 106	LC 26
Rubber Black	<b>E</b>	C137/H77	XF-85	MIG 095		UA 733
Interior Green	<b>F</b>	C351/H58		MIG 0220	HTK 211	UA 004
Yellow Chromat	<b>G</b>	C352				
Clear Green	<b>H</b>	C138/H94	XF-25	MIG 092		
Burn Iron	<b>I</b>	C61/H76	XF-25	MIG 187		LC 37
Signal Red	<b>J</b>	C79/H11	XF-2	MIG 049	HTK-103	LC 56
Polished metal	<b>K</b>	MC 211	XF-56	MIG 0192		
Olive Drab	<b>L</b>	C38/H78	XF-67	MIG 0237	HTK 004	UA 005
Neutral Gray	<b>M</b>	C13/H53		MIG 0239	HTK 033	UA 046
Clear Red	<b>N</b>	C47/H90	XF-27	MIG 093		
White	<b>O</b>	C62/H11	XF-2	MIG 0047	HTK 101	LC 01
Engine Gray	<b>P</b>	C339/H339	XF-2	MIG 0908	HTK 030	UA 030
Yellow	<b>R</b>	C329/H329	X-8		HTK 107	

### USED SYMBOLS



CEMENT



DON'T CEMENT



REMOVE



SYMMETRICAL



MULTIPLE



BEND



OPEN WHOLE



VARIANTS



TO PAINT