

SUPER44

COLORS BARVY FARBEN PEINTURE 色

GSI Creos (GUNZE)		MISSION MODELS	
AQUEOUS	Mr.COLOR	Mr.COLOR	PAINTS
[H2]	C2	[MMP-047]	BLACK
[H3]	C3	[MMP-003]	RED
[H11]	C62	[MMP-001]	FLAT WHITE
[H12]	C33	[MMP-047]	FLAT BLACK
[H26]	C66		BRIGHT GREEN
[H27]	C44		TAN
[H37]	C43		WOOD BROWN
[H51]	C11	[MMP-063]	LIGHT GULL GRAY
[H53]	C13		NEUTRAL GRAY
[H67]	C115	[MMP-057]	LIGHT BLUE
[H72]	C369	[MMP-078]	DARK EARTH
[H77]	C137	[MMP-040]	TIRE BLACK
[H81]	C55	[MMP-023]	KHAKI
[H84]	C42		MAHOGANY
[H302]	C302		GREEN
[H305]	C305	[MMP-084]	GRAY

GSI Creos (GUNZE)		MISSION MODELS	
AQUEOUS	Mr.COLOR	Mr.COLOR	PAINTS
[H306]	C306	[MMP-118]	MEDIUM GRAY
[H308]	C308	[MMP-073]	GRAY
[H310]	C310	[MMP-060]	BROWN
[H332]	C332		LIGHT AIRCRAFT GRAY
[H337]	C337		GRAYISH BLUE
[H413]	C113	[MMP-090]	YELLOW
[H418]	C118	[MMP-055]	LIGHT BLUE
	C19		SANDY BROWN
	C136	[MMP-032]	RUSSIAN GREEN
	C391		INTERIOR GREEN
Mr.METAL COLOR		METALLICS	
[MC213]		[MMM-006]	STAINLESS
[MC214]		[MMM-001]	DARK IRON
[MC218]		[MMM-003]	ALUMINIUM
Mr.COLOR SUPER METALLIC		METALLICS	
[SM206]		[MMC-001]	SUPER CHROME SILVER

PLASTIKOVÁ STAVEBNICE

FOTOLEPTANÉ DÍLY, EXPRESS MASK,
NEOBSAHUJE BARVY A LEPIDLO
VYROBENO V ČESKÉ REPUBLICE

POZOR! OBSAHUJE DROBNÉ A OSTRÉ DÍLY
VÝROBEK NENÍ HRAČKOU

SCALE PLASTIC KIT

PE PARTS, MASK,
PAINT AND GLUE NOT INCLUDED
MADE IN CZECH REPUBLIC

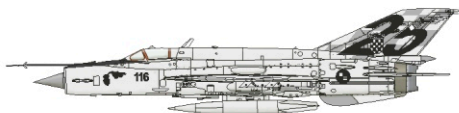
CONTAINS SMALL AND SHARP PARTS.
COLLECTORS ITEM · NOT A TOY



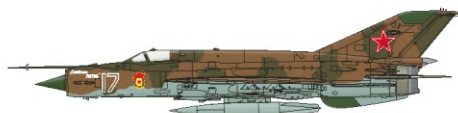
MiG-21bis

1/144

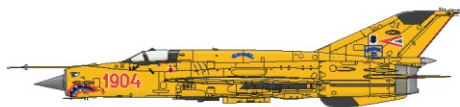
Cat.No. 4436



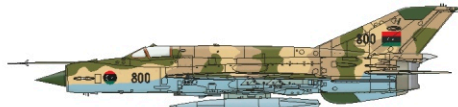
MiG-21bisD, Eskadriela borbenih aviona, Hrvatsko ratno zrakoplovstvo i protuzračna obrana, Zagreb – Pleso, Croatia, December 2016



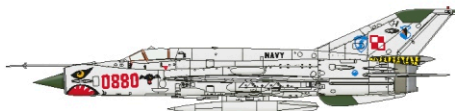
MiG-21bis, 115th GIAP, Soviet VVS, Bagram Air Base, Afghanistan, 1980



MiG-21bis, c/n 75061904, 2nd Fighter Squadron, Taszár Air Force Base, Hungary, 1992



MiG-21bis, Free Libyan Air Force, Tobruk, Libya, November 2011



MiG-21bis, c/n 75080880, 1. Pucki DLMW, Marynarka Wojenna, Gdynia-Babie Doły, Poland, June 2000

A38

C391
INT. GREEN

decal 44, 47 - **MARKING A** ONLY

OPTIONAL:
decal 46 ? 47

OPTIONAL:
decal 43 ? 44

H112 MMP
C331 047
FLAT BLACK

A

H112 MMP
C331 047
FLAT BLACK

A24

C391
INT. GREEN

A38

A12

H53
C13
GRAY

C391
INT. GREEN

M213
MMM
009
STAINLESS

A15

H53
C13
GRAY

1 =

H111 MMP
C621 001
FLAT WHITE

- **MARKING A**

H51 MMP
C111 063
GULL GRAY

- **MARKINGS B;C;D;E**

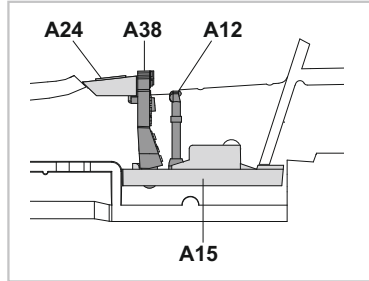
2 =

H51 MMP
C111 063
GULL GRAY

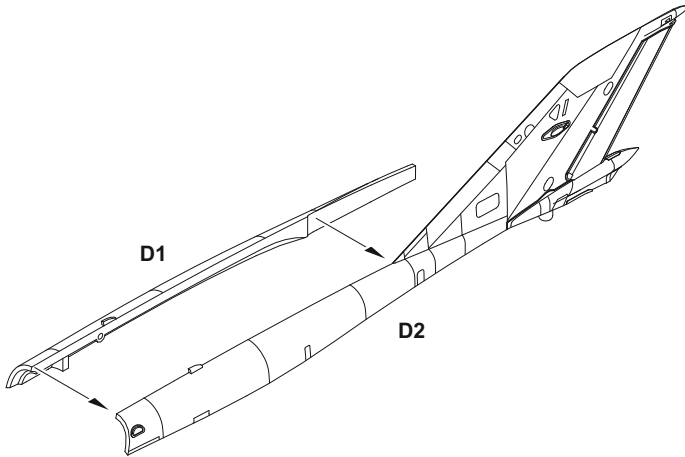
- **MARKINGS B;C;D;E**

H337
C337
GRAYISH BLUE

- **MARKING A**

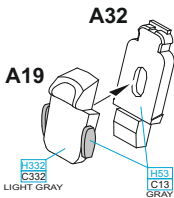


B



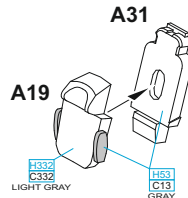
C

CANOPY OPEN



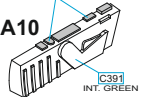
?

CANOPY CLOSED



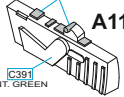
H12 MMP
C33 | 047
FLAT BLACK

A10



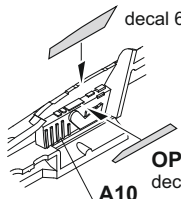
H12 MMP
C33 | 047
FLAT BLACK

A11



decal 60 ? 62

decal 60 - MARKING
A ONLY



B

A4



OPTIONAL:
decal 45

MC213
MMM
006
STAINLESS

A4

MC213
MMM
006
STAINLESS



Don't forget
to add the nose
weight balance!

C391
INT. GREEN

A10

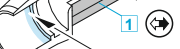
A

A11

C391
INT. GREEN

A1

A42

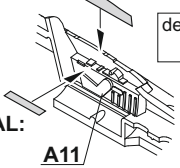


A37

decal 59 ? 61

decal 59 - MARKING
A ONLY

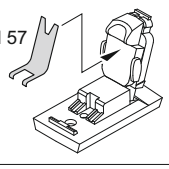
OPTIONAL:
decal 42



A11

A22

decal 57



C

A23

A30

A2

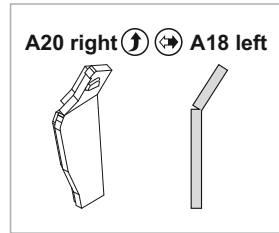
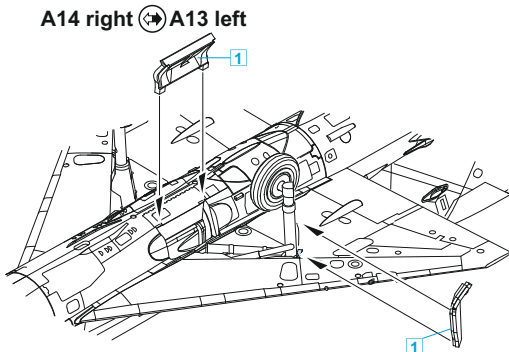
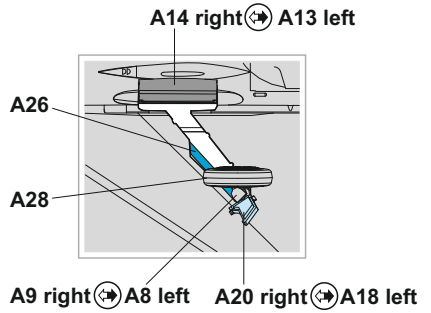
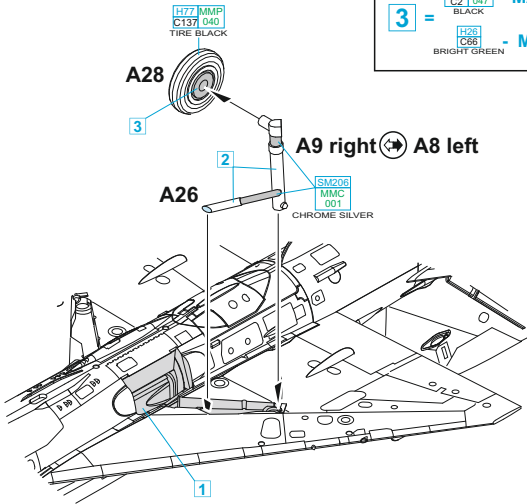
A3

A29

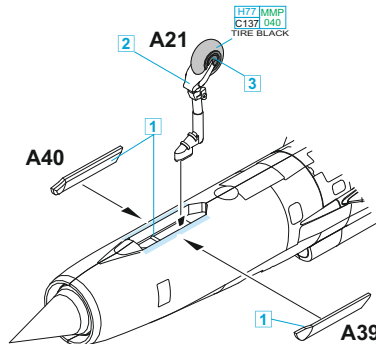
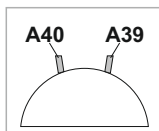
A17

3 =

H77	MMP	- MARKING C
C137	040	
H08	C66	- MARKINGS A;B;D;E
		BRIGHT GREEN



A20 right ↔ **A18 left**



decal 50, 52, 54 - MARKING C ONLY

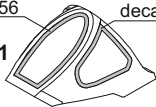
decal 50

decal 53 → decal 54

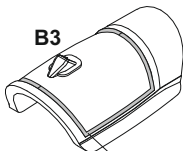
decal 56

decal 51 → decal 52

B1



B3

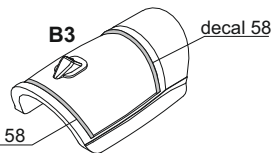


decal 48

decal 49

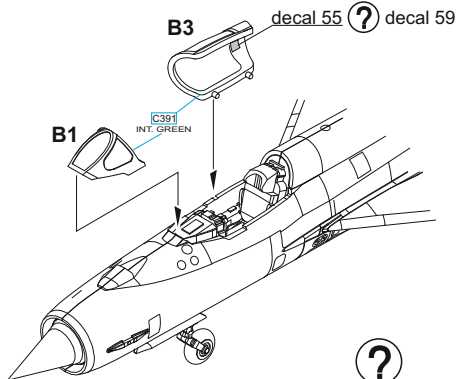
?

B3

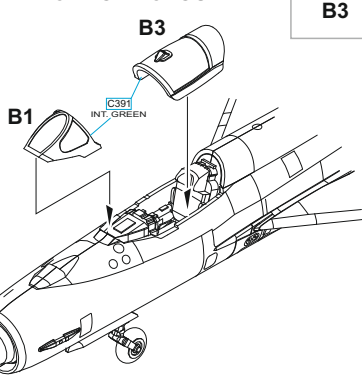


decal 58

CANOPY OPEN

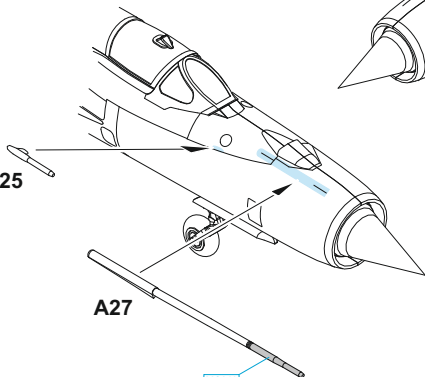


CANOPY CLOSED

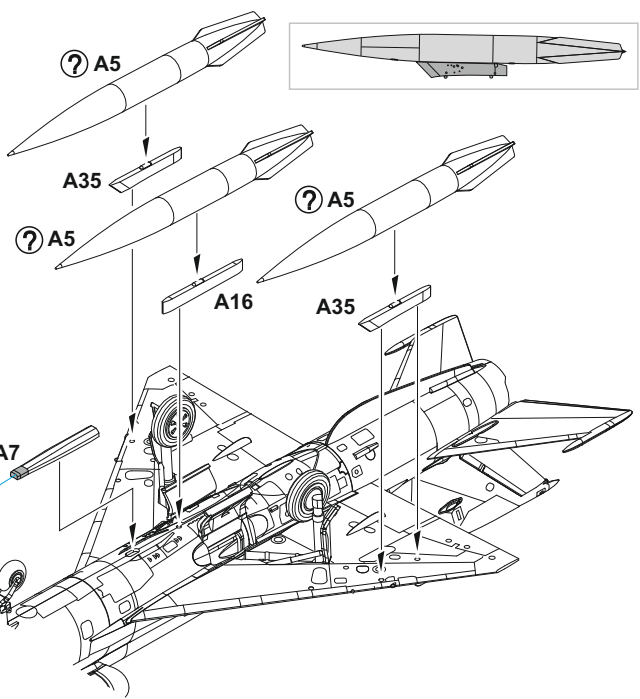
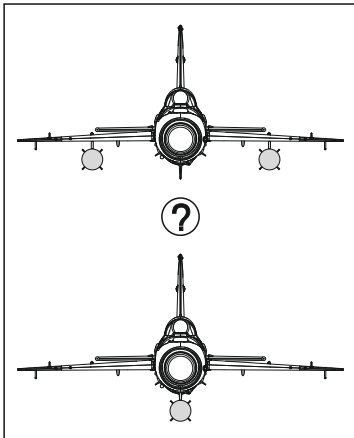


A25

A27



MCP213
MARK
006
STAINLESS



MC218
MMM
006
STAINLESS

MC218
MMM
003
ALUMINIUM

H81 MMP
C111 063
GULL GRAY

H81 MMP
C85 023
KHAKI

MC218
MMM
003
ALUMINIUM

H81 MMP
C111 063
GULL GRAY

H81 MMP
C85 023
KHAKI

A34

A6

A33

H11 MMP
C62 001
FLAT WHITE

MC218
MMM
003
ALUMINIUM

H81 MMP
C111 063
GULL GRAY

H81 MMP
C85 023
KHAKI

A6

A34

A41

A36

H12 MMP
C33 047
FLAT BLACK

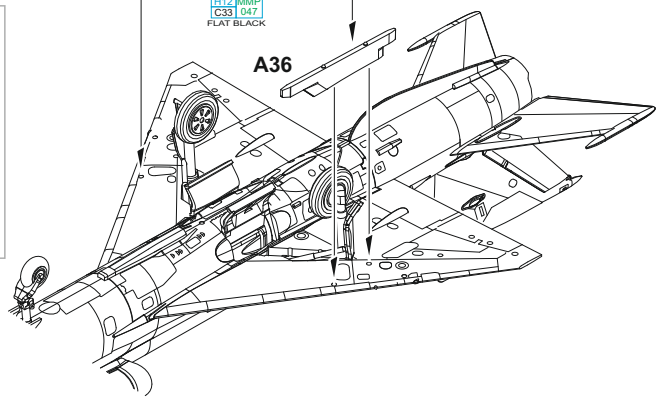
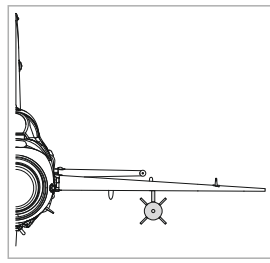
A33

H12 MMP
C33 047
FLAT BLACK

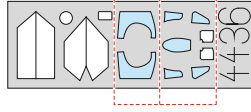
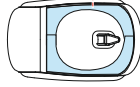
H11 MMP
C62 001
FLAT WHITE

A41

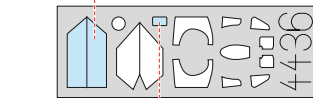
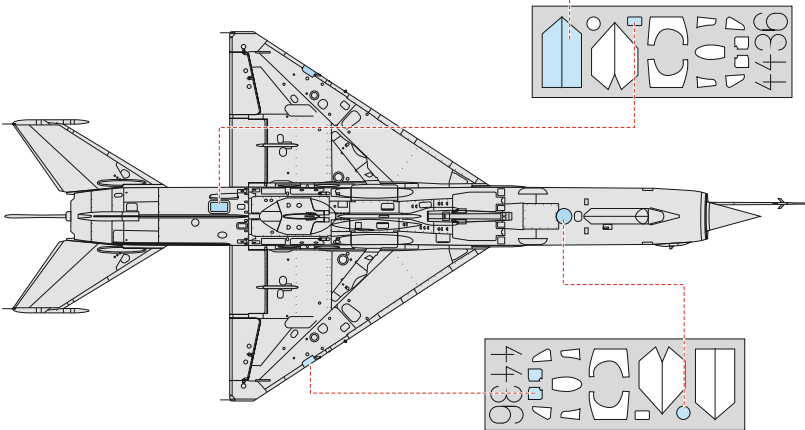
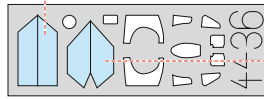
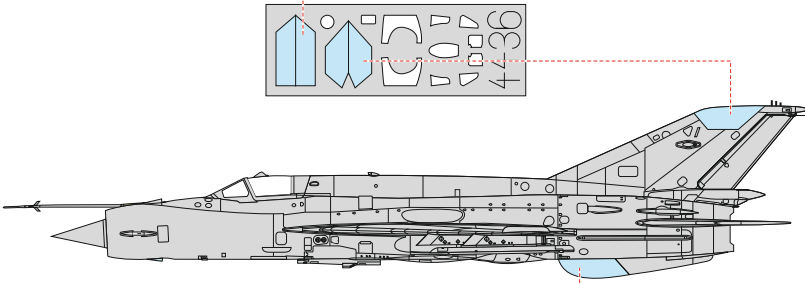
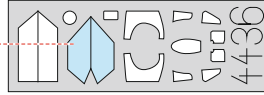
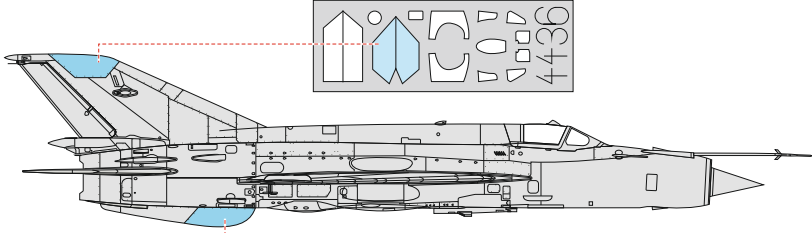
A36



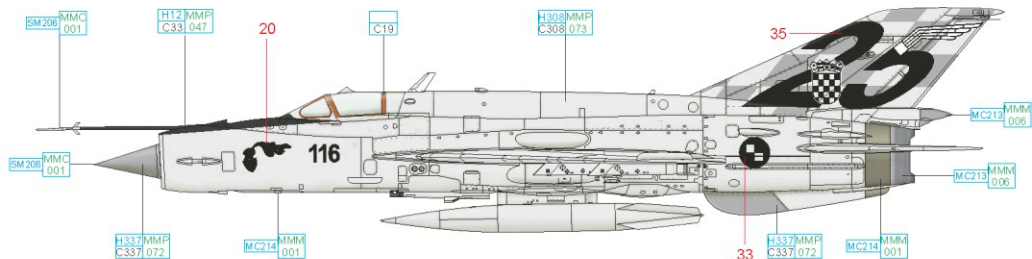
B3



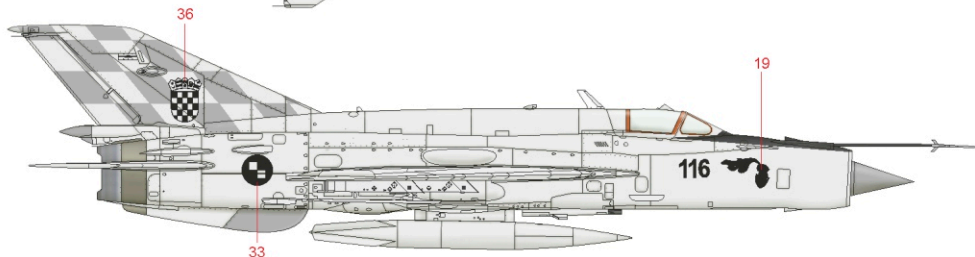
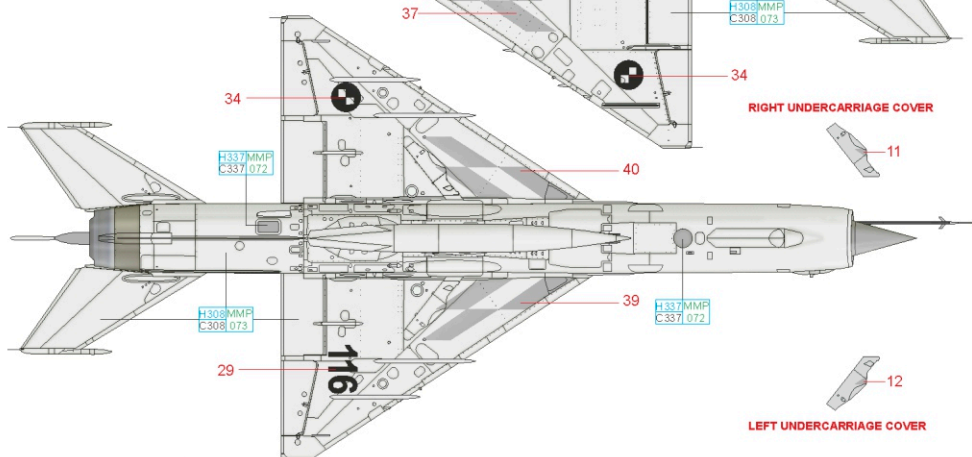
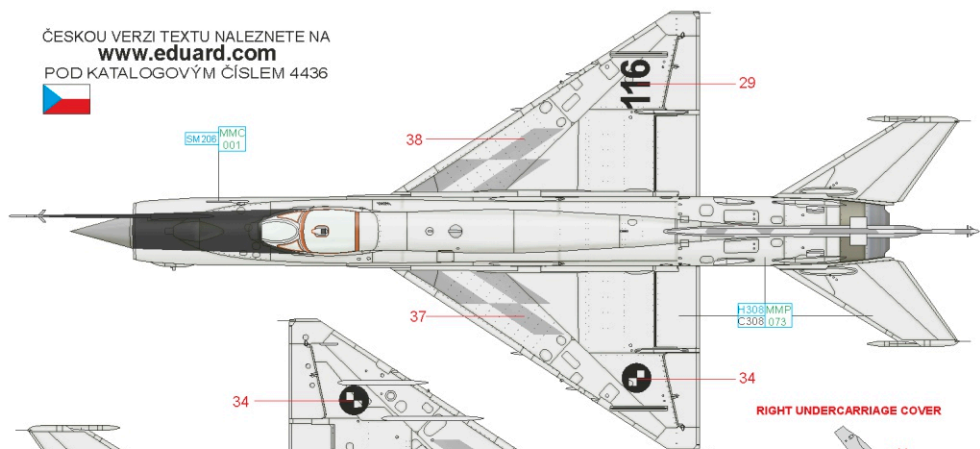
B1



A MiG-21bisD, Eskadřila borbenih aviona, Hrvatsko ratno zrakoplovstvo i protuzra~na obrana, Zagreb – Pleso, Croatia, December 2016

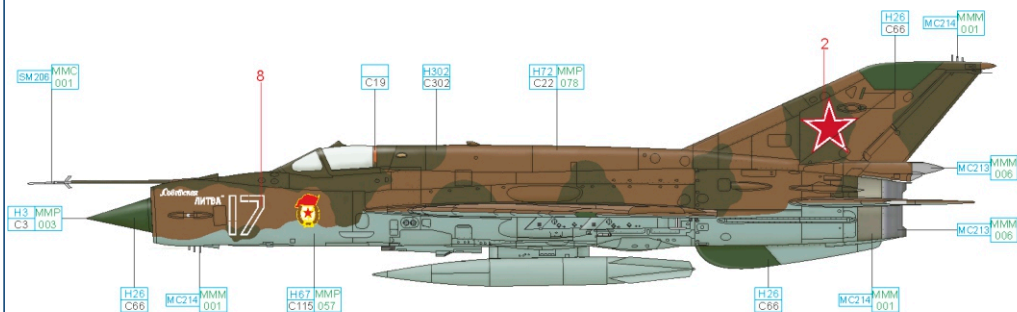


~ESKOU VERZI TEXTU NALEZNETE NA
www.eduard.com
 POD KATALOGOVYM CÍSLEM 4436

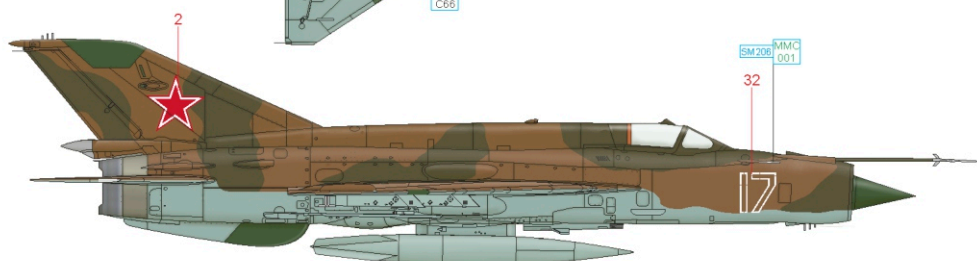
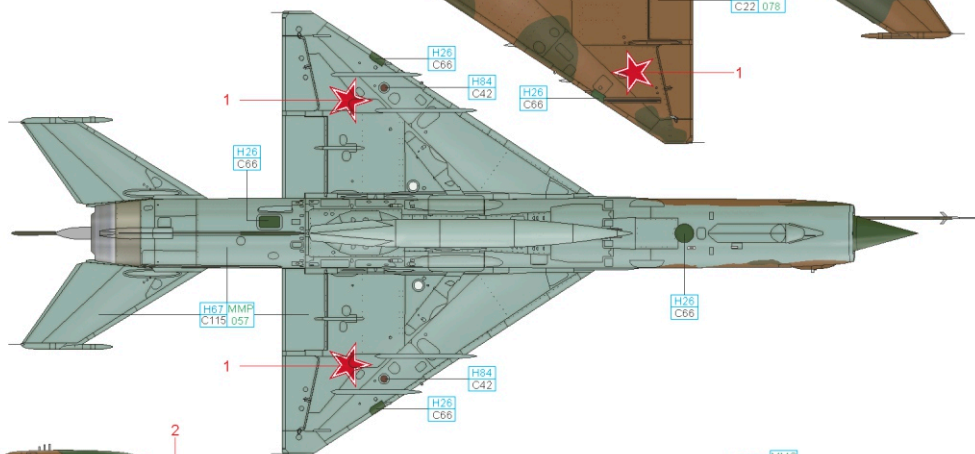
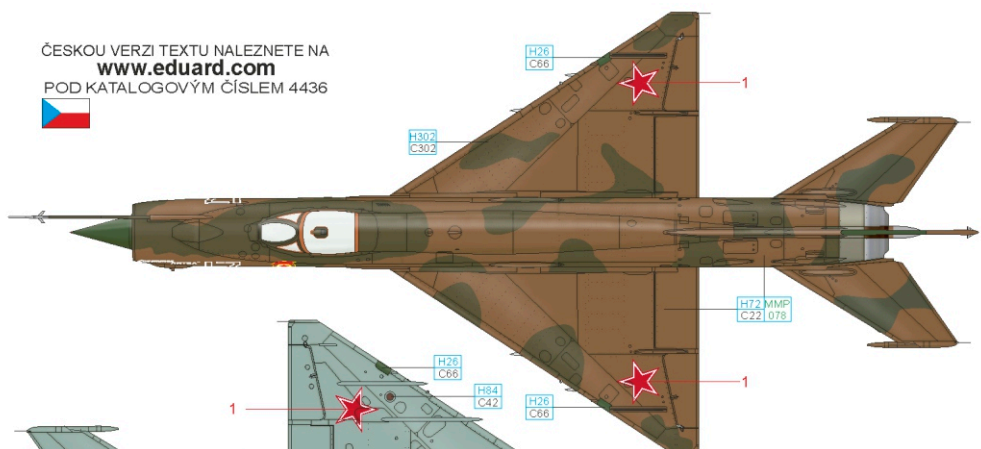


GRAY	H308/MMPF C308 073	GRAY	H337/MMPF C337 072	BLACK	H112/MMPF C33 047	CHROME SILVER	SM206/MMC 001	DARK IRON	MC214/MMM 001	STEEL	MC213/MMM 006	LIGHT BROWN	C19	eduard
------	-----------------------	------	-----------------------	-------	----------------------	------------------	------------------	--------------	------------------	-------	------------------	----------------	-----	--------

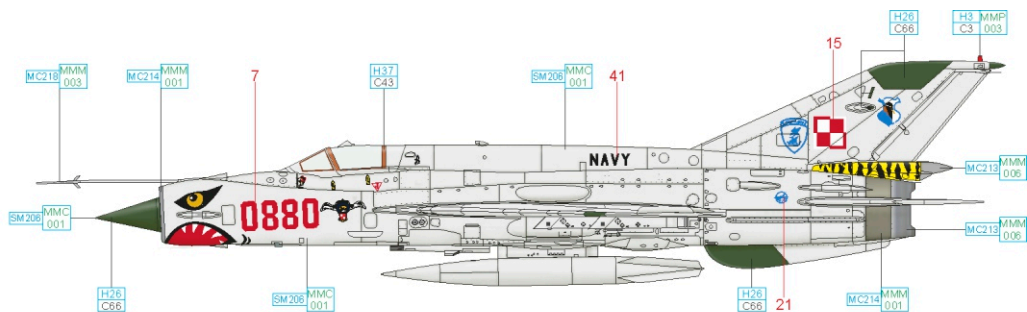
B MiG-21bis, 115th GIAP, Soviet VVS, Bagram Air Base, Afghanistan, 1980



ČESKOU VERZI TEXTU NALEZNETE NA
www.eduard.com
 POD KATALOGOVÝM ČÍSLEM 4436

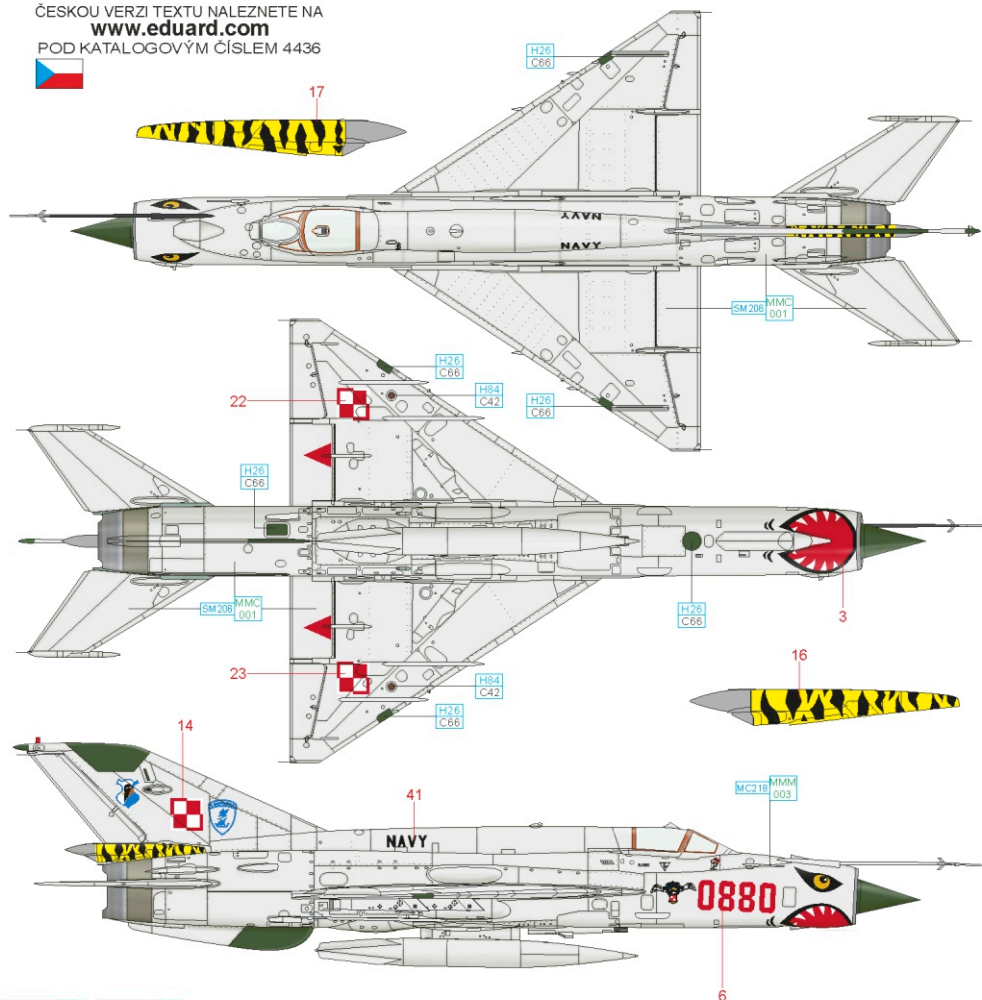


LIGHT BLUE	H67 MMP C115 057	BRIGHT GREEN	H26 C66	LIGHT BROWN	C19	M/HOGANY	H84 C42
DARK EARTH	H72 MMP C22 078	GREEN	H302 C302	RED	H43 MMP C3 003	CHROME SILVER	SM206 MMC 001
						DARK IRON	MC214 MMM 001
						STEEL	MC213 MMM 006



ČESKOU VERZI TEXTU NALEZNETE NA
www.eduard.com

POD KATALOGOVÝM ČÍSLEM 4436



BROWN H37 C43 MAHOGANY H84 C42

RED H3 MMP C3 003 BRIGHT GREEN H26 C66

CHROME SILVER SM 206 MMC 001

DARK IRON MC214 MM 001

STEEL MC218 MM 006

ALUMINIUM MC219 MM 003

eduard