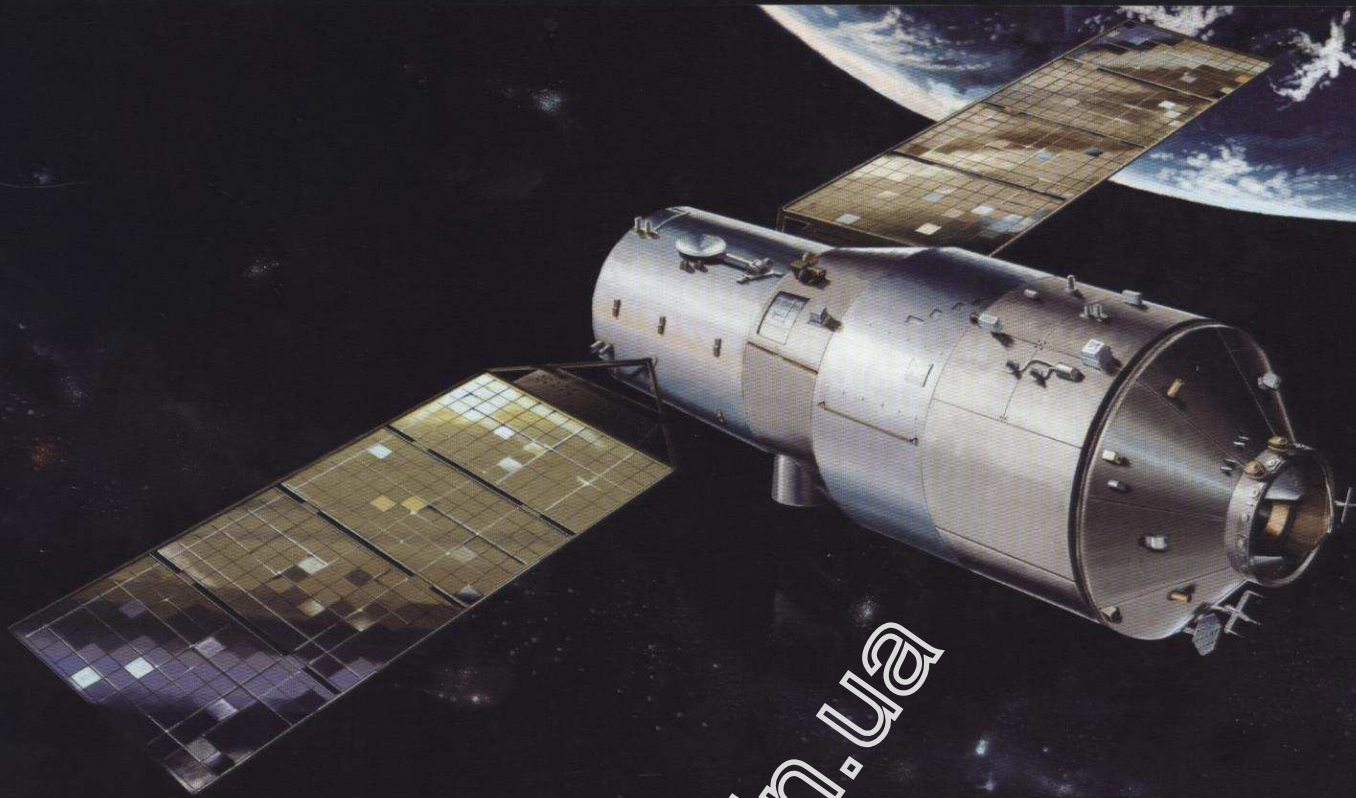


L4805 天宫一号 TIANGONG-1

1/48 SCALE 中国航天载人空间实验平台 CHINA'S SPACE LAB MODULE

G.W.H.™



China's Space Lab Module Tiangong-1 was launched on 29 September 2011 at 21:16:03.507 CST, in Jiuquan LA-4/SLS-1 in west China. The launch marked the beginning of the second stage in China's "3-Step" space project. According to project plans, Shenzhou 8, 9, and 10 will be launched in succession to complete experiments of unmanned and manned rendezvous and docking tests with Tiangong-1 and to establish the first permanent manned space laboratory of China.

The Tiangong-1 space-laboratory module / target spacecraft is 10.4 meter in length and 3.35meter in diameter, the full load weight is 8506kg. Structurally, Tiangong-1 is divided into two primary sections: a resource module, which mounts its solar panels and propulsion systems, and a larger, habitable experimental module. Tiangong-1 has a pressurized habitat of approximately 15 cubic meters. Inside of the experimental module 3 astronauts will be able to work and live. The pressure-tight compartment is in the rear. The resource module with its regenerative life support system and other equipment is up front. In front of the experimental module are the passive APAS-type docking connectors for rendezvous and docking with the tracking spacecraft. The resource module provides the power for orbital maneuvers and the propulsion for the space station.

2011年9月29日21时16分3秒天宫一号在酒泉卫星发射中心发射，它的发射标志着中国迈入中国航天“三步走”战略的第二步第二阶段。按照计划，神舟八号、神舟九号、神舟十号飞船将在两年内依次与天宫一号完成无人或有人交会对接任务，并建立中国首个空间实验室。

天宫一号目标飞行全长10.4米，最大直径3.35米，重8.5吨，由实验舱和资源舱构成。实验舱的可活动空间达15立方米，可同时保证三名航天员驻留期间的在轨工作和生活，密封的后锥段安装再生生保等设备。实验舱前端安装一个对接机构，用于支持与追踪飞行器实现交会对接。资源舱为轨道

The Tiangong-1 space-laboratory module / target spacecraft is 10.4 meter in length and 3.35meter in diameter, the full load weight is 8506kg. Structurally, Tiangong-1 is divided into two primary sections: a resource module, which mounts its solar panels and propulsion systems, and a larger, habitable experimental module. Tiangong-1 has a pressurized habitat of approximately 15 cubic meters. Inside of the experimental module 3 astronauts will be able to work and live. The pressure-tight compartment is in the rear. The resource module with its regenerative life support system and other equipment is up front. In front of the experimental module are the passive APAS-type docking connectors for rendezvous and docking with the tracking spacecraft. The resource module provides the power for orbital maneuvers and the propulsion for the space station.

The unmanned Shenzhou 8 mission successfully docked with Tiangong-1 twice on 3 November and 13 November 2011, making China the third country to achieve the integrate technology of orbital docking independently, after the United States and Russia. Since China successfully mastered the key technologies of the second stage of its manned space flight project, big progress can be expected, soon. China has entered its space station era successfully. The foreign media say that the successful launching of Tiangong-1 is the important milestone of China's space program.

机动提供动力，为飞行器提供能源。

2011年11月3日和11月13日，“天宫一号”和“神舟八号”先后两次完成太空完美对接，使中国成为世界上第三个独立掌握载人航天器空间交会对接技术的国家，也标志着中国已突破并掌握了载人航天二期工程的关键技术，拥有完全自主知识产权，并将对中国载人航天事业发展产生重大而深远的影响，它意味着，中国已经成功叩开了空间站时代的大门。外媒称天宫一号的成功发射铸就了中国航天里程碑。

△注意:

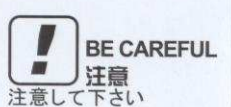
1. 勿於近火處使用膠水或油漆，並打開窗戶保持空氣流通。
2. 塗料的號碼請參考本欄以下的說明。本品本身不包括膠水和塗料。
3. 自膠架中取出部件時，應用模型專用剪，並用介刀或小挫除去多餘膠料。
4. 各圖形的含義可參考本欄以下的說明。

△CAUTION:

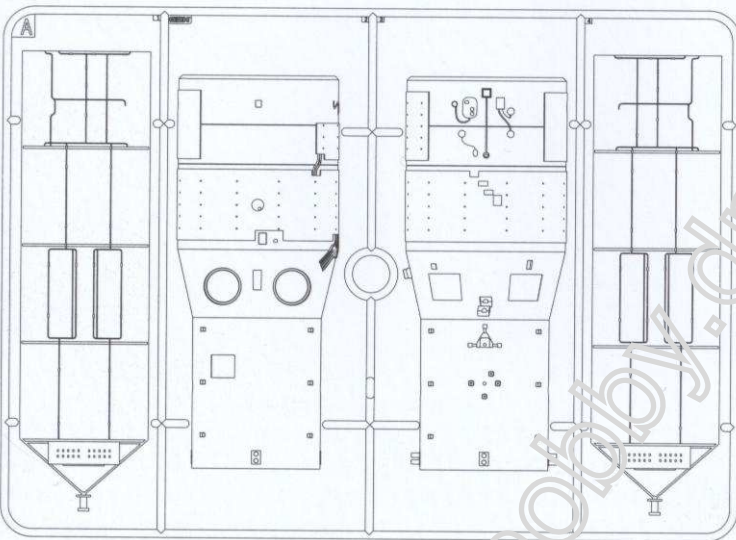
1. When you use glue or paint, do not use near a open flame, and use in a well-ventilated room.
2. See below for the color list. Glue and paint are not included in this kit.
3. When you take parts off the runner frame, use the modeling scissors and trim excess plastic with a cutter or a file.
4. See below for the meaning of symbols.

組み立ての注意:

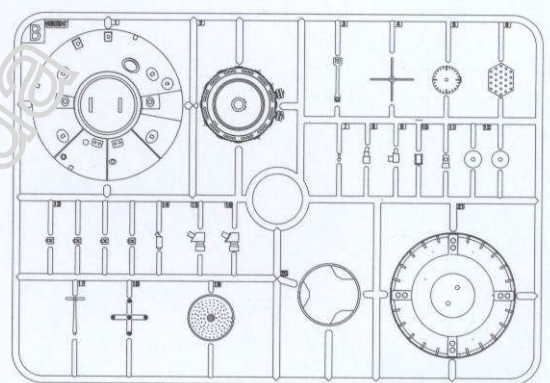
1. 接着剤や塗料は火の近くで使わないで下さい、使用の際は換気をよくして下さい。
2. 塗料指定のは下記のとおりです、接着剤や塗料は入っていないので別に求めて下さい。
3. 部品のランナーから切り離す時は模型用ハサミ等を使い、余分な部分はカッターやヤスリ等で仕上げして下さい。
4. 組立図のサインマークは下の説明を御覧下さい。



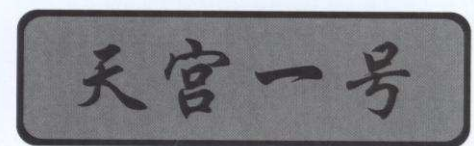
A PARTS×1



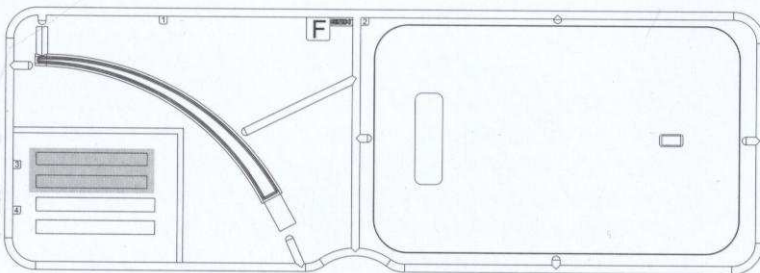
B PARTS×1



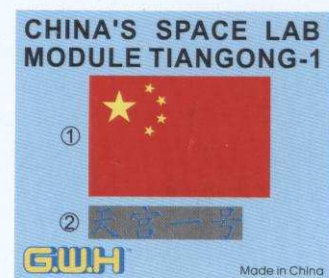
PE A PARTS×1



F PARTS×1



DE A PARTS×2



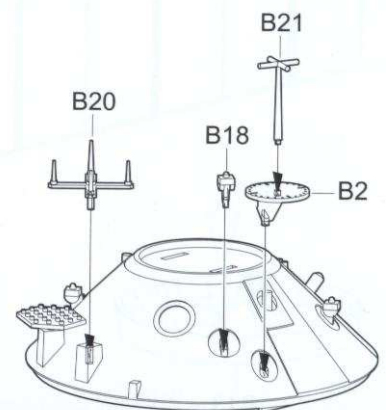
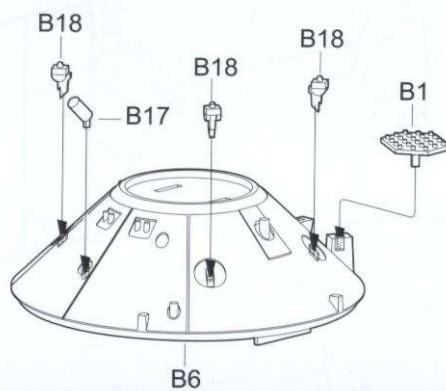
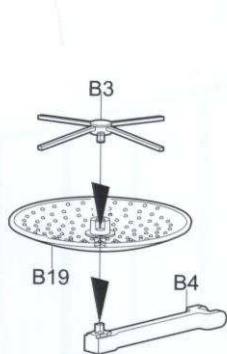
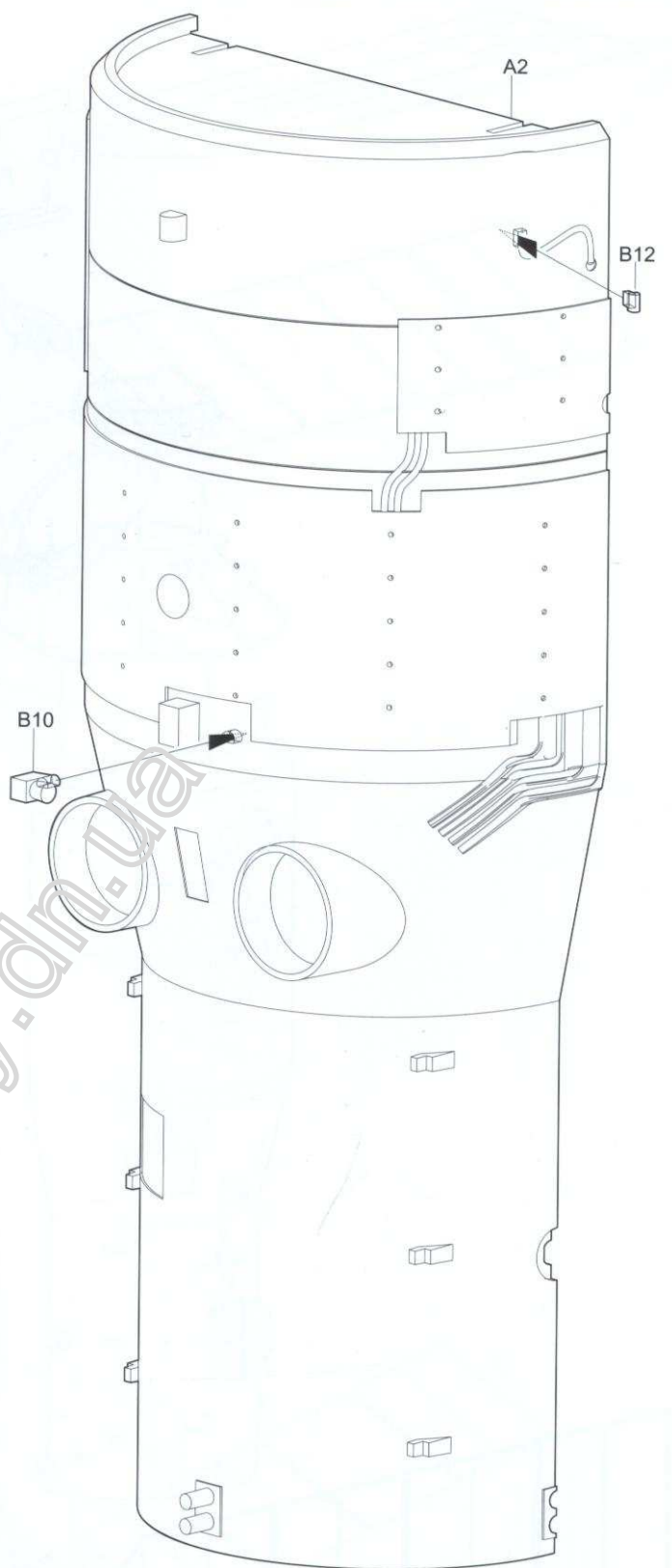
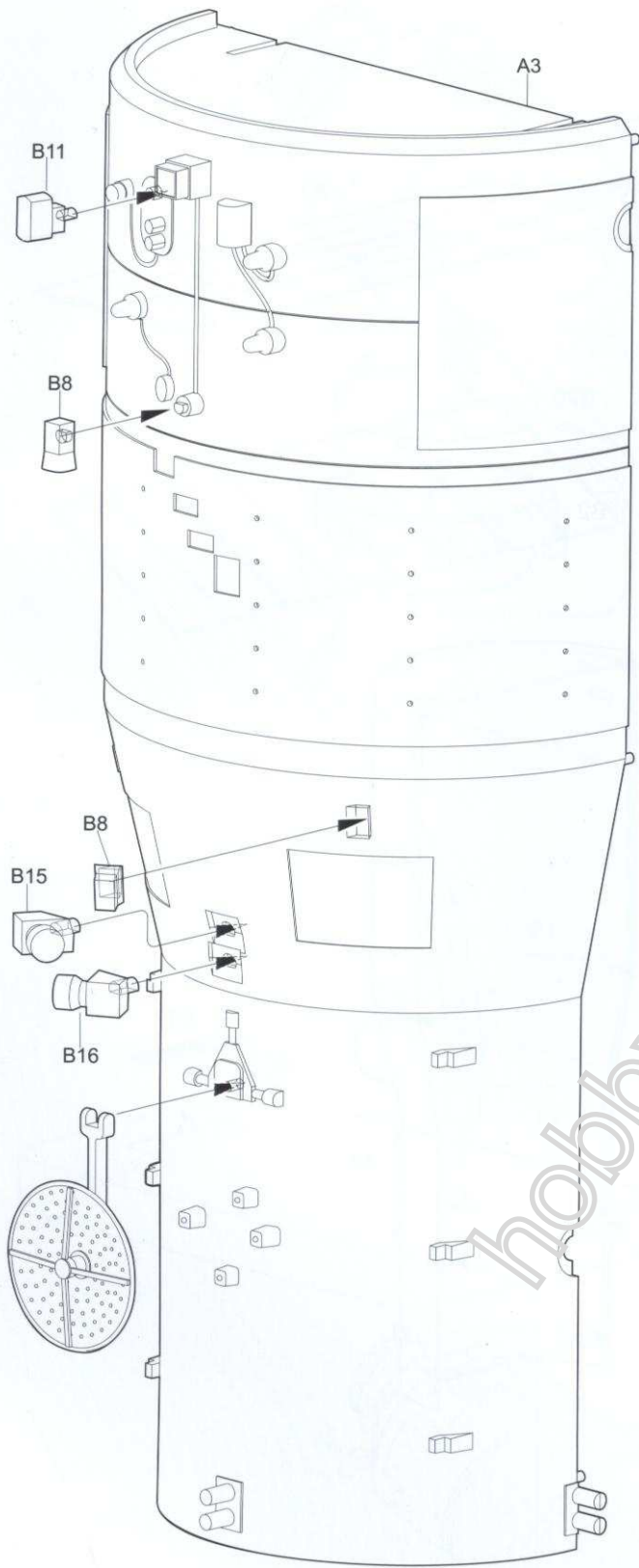
不使用零件
Parts not used

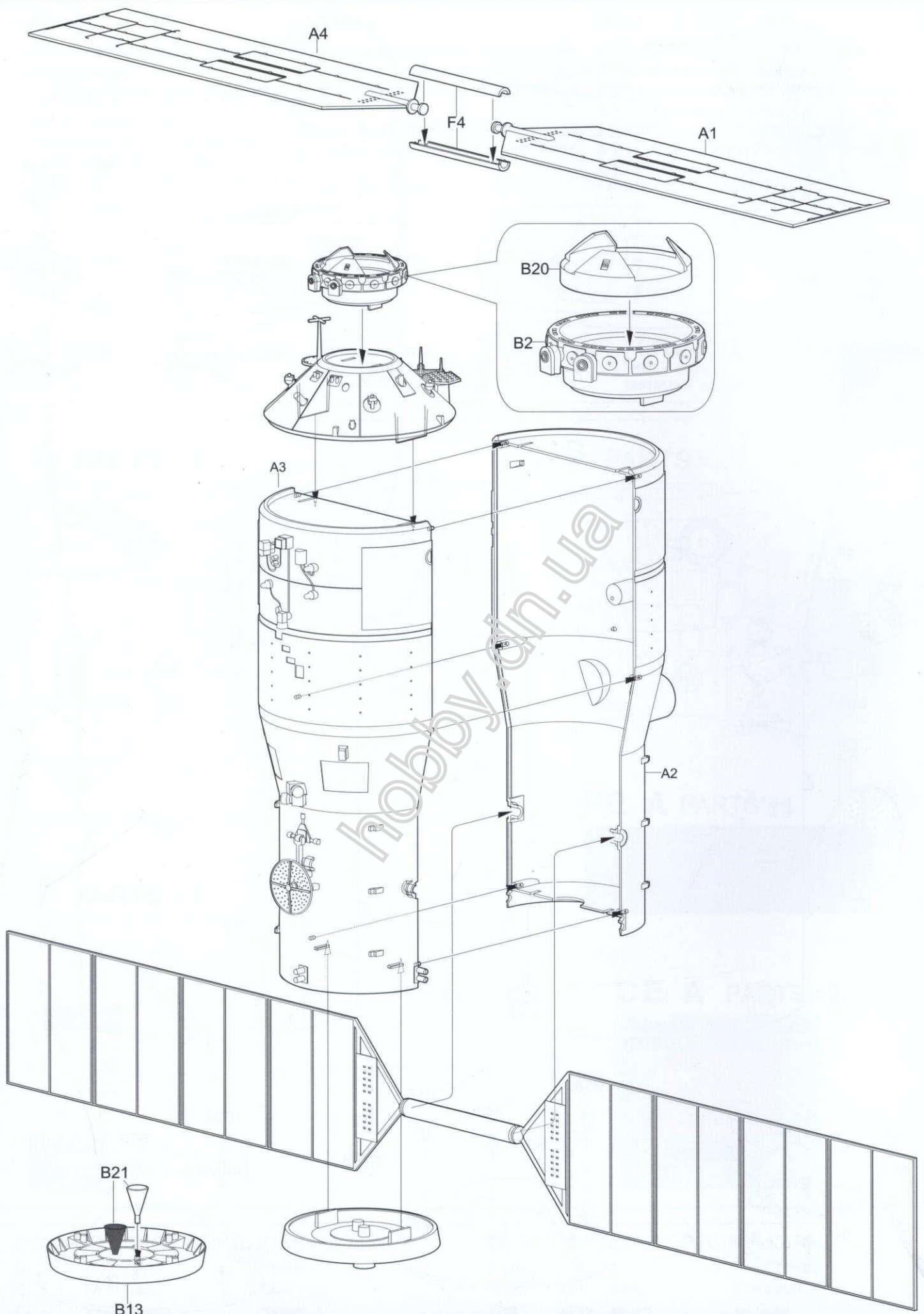
C 000 GSICEROS CORP. HOBBY COLOUR

C 1	X2	白色	White
C 5	X4	蓝色	Blue
C 8	X11	银色	Silver

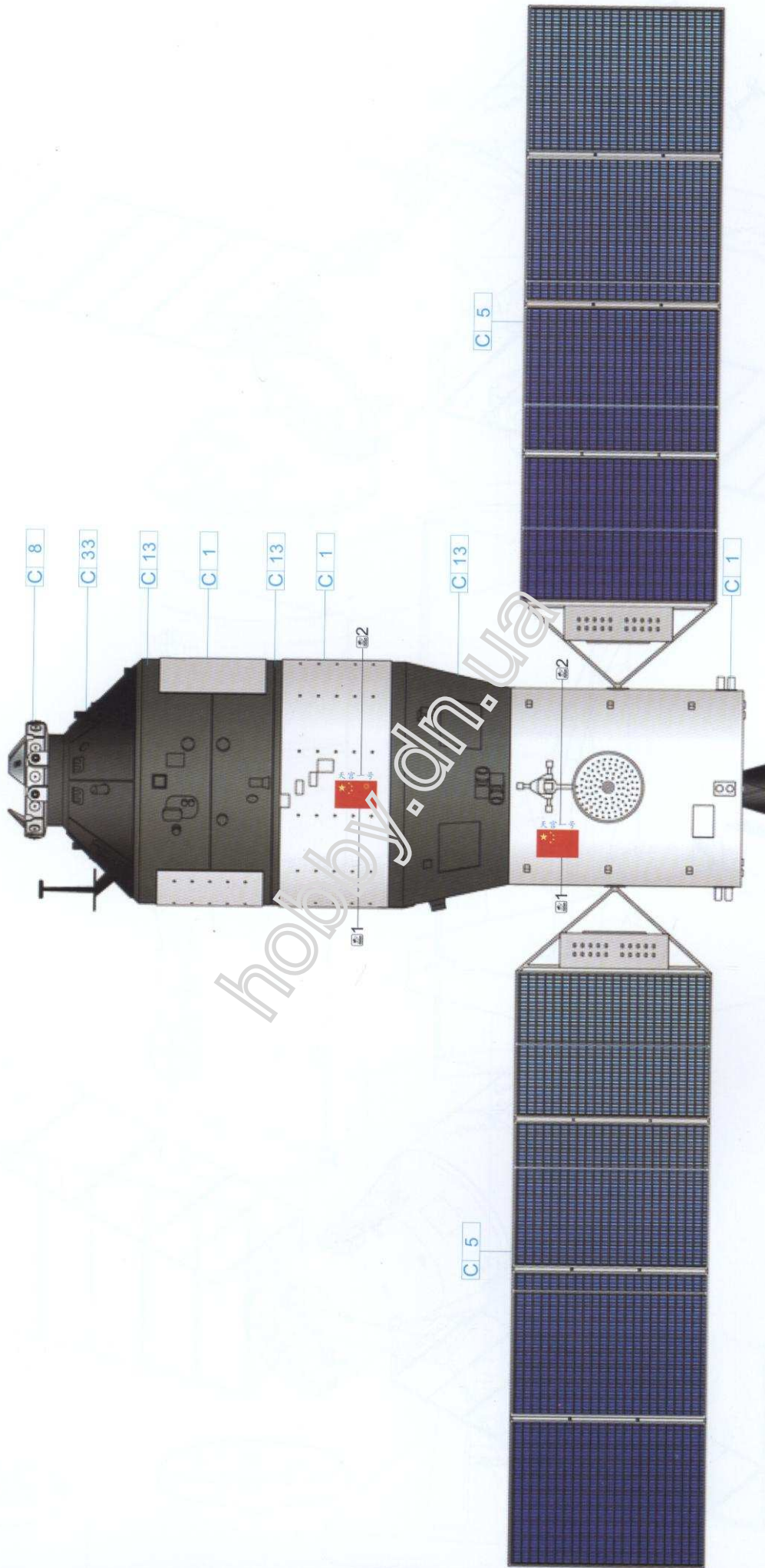
XF-00 TAMIYA COLOR ACRYLIC PAINT

C 13	X20	中灰	Neutral Gray
C 33	XF1	亚黑色	Flat Black
C 35	XF12	明灰白色	ljn Gray





L4805 天宮一號 TIANGONG-1
1/48 SCALE 中国载人空间实验平台 CHINA'S SPACE LAB MODULE



G.I.W.H.™