

**gumiH**<sup>®</sup>  
LIMITED EDITION



# VF-101 GUMI REAPERS

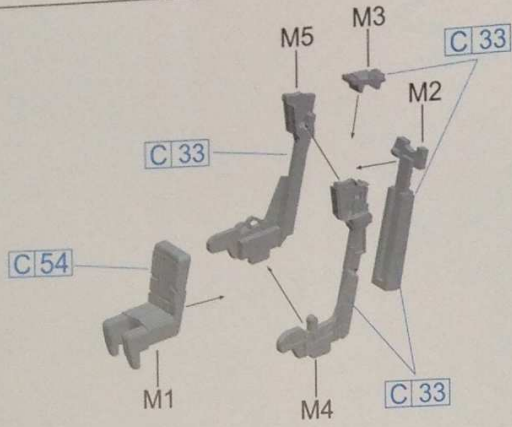
F-14B LIMITED EDITION  
F-14B VF-101 雄猫战斗机“死神”中队



**S7204**  
1/72 SCALE

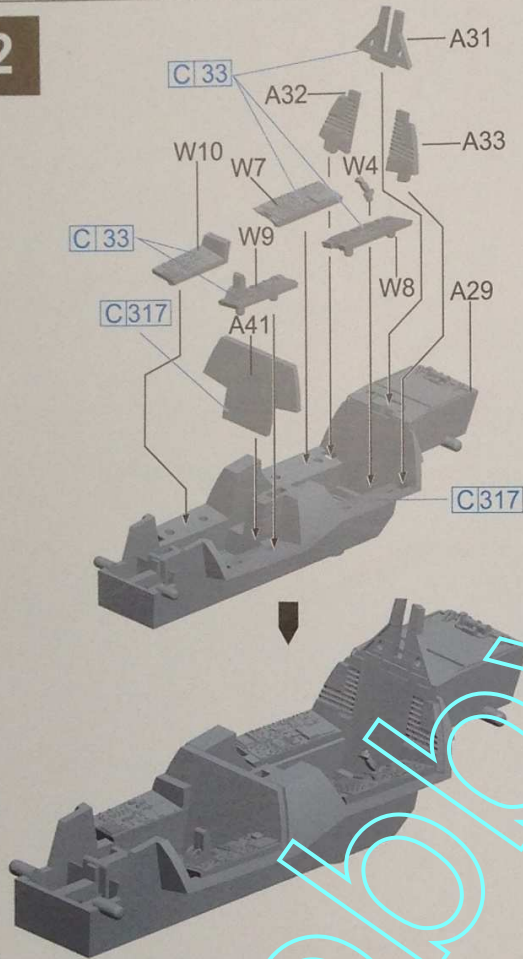


1

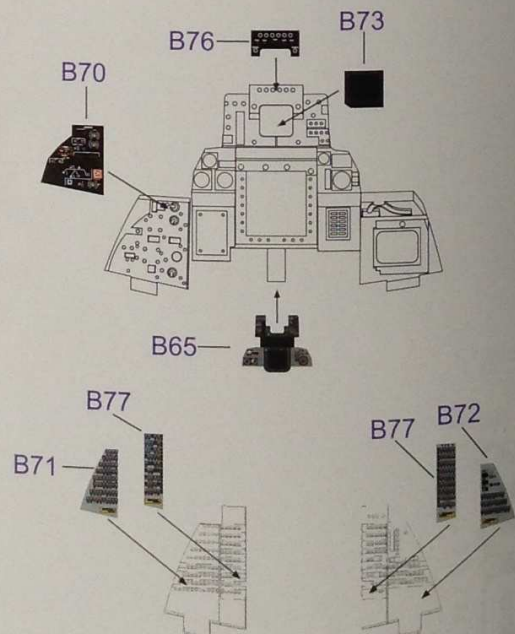
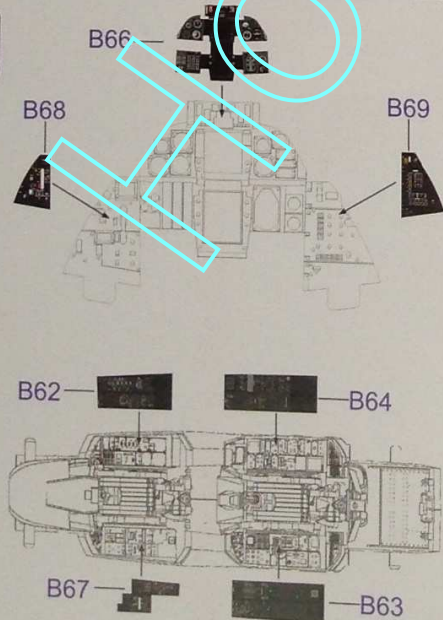
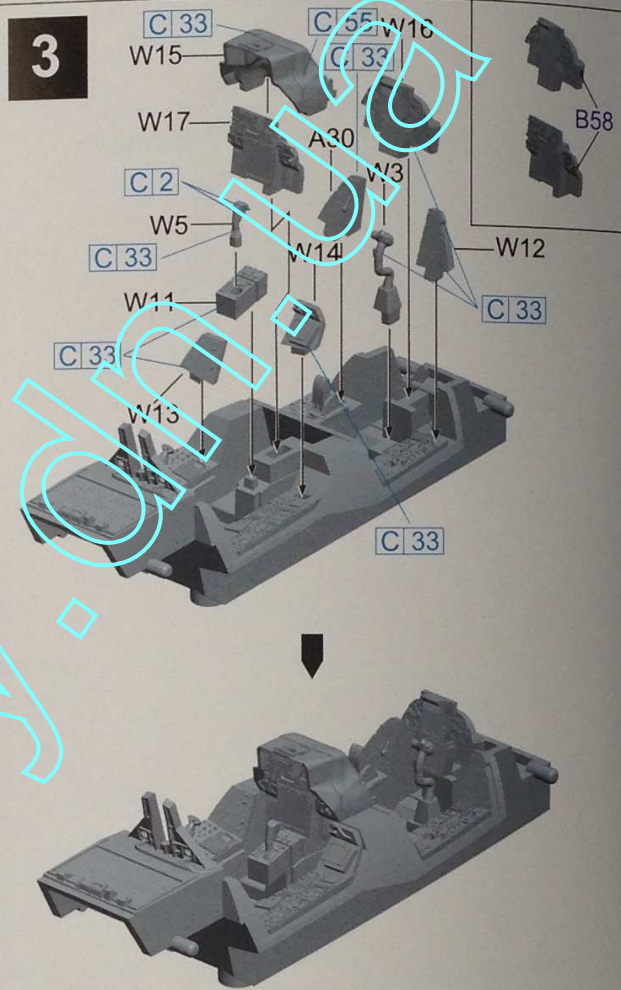


x2

2

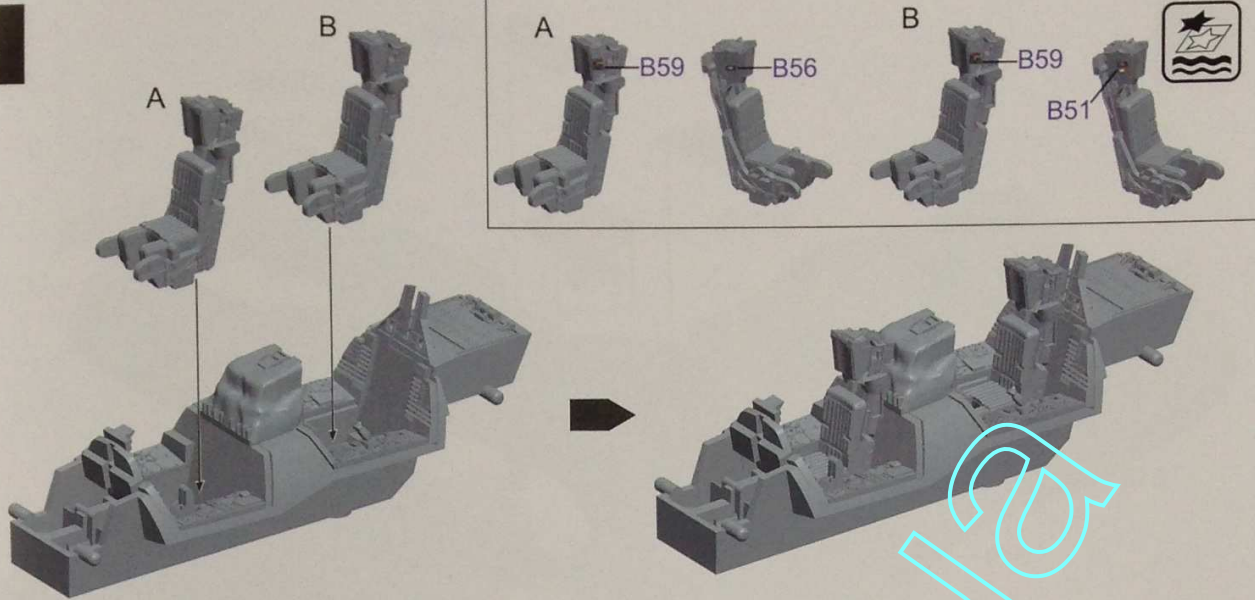


3

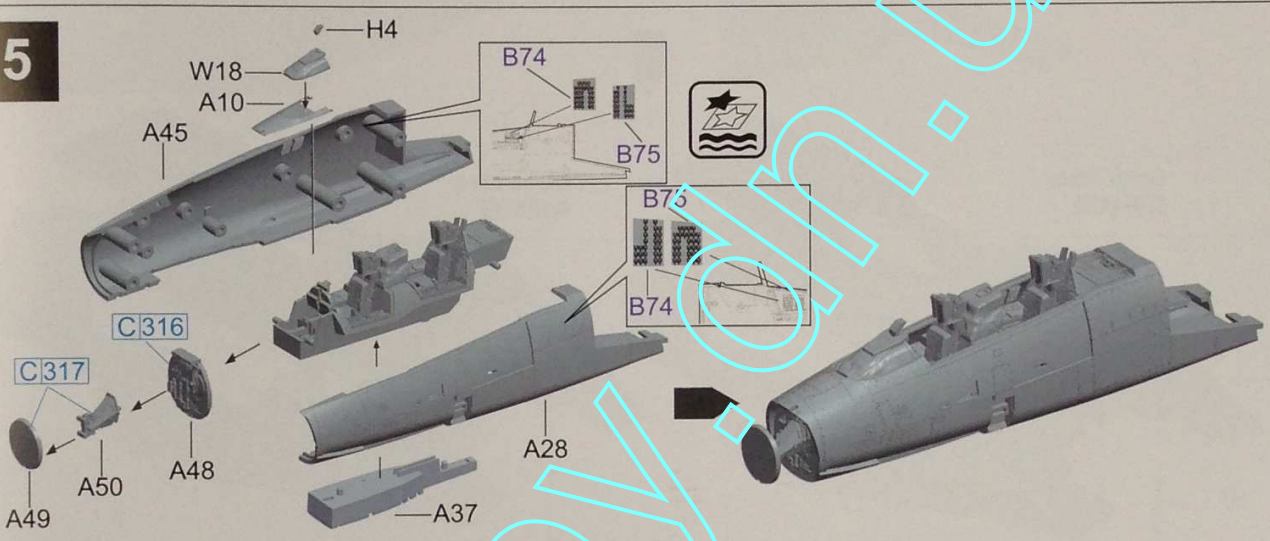




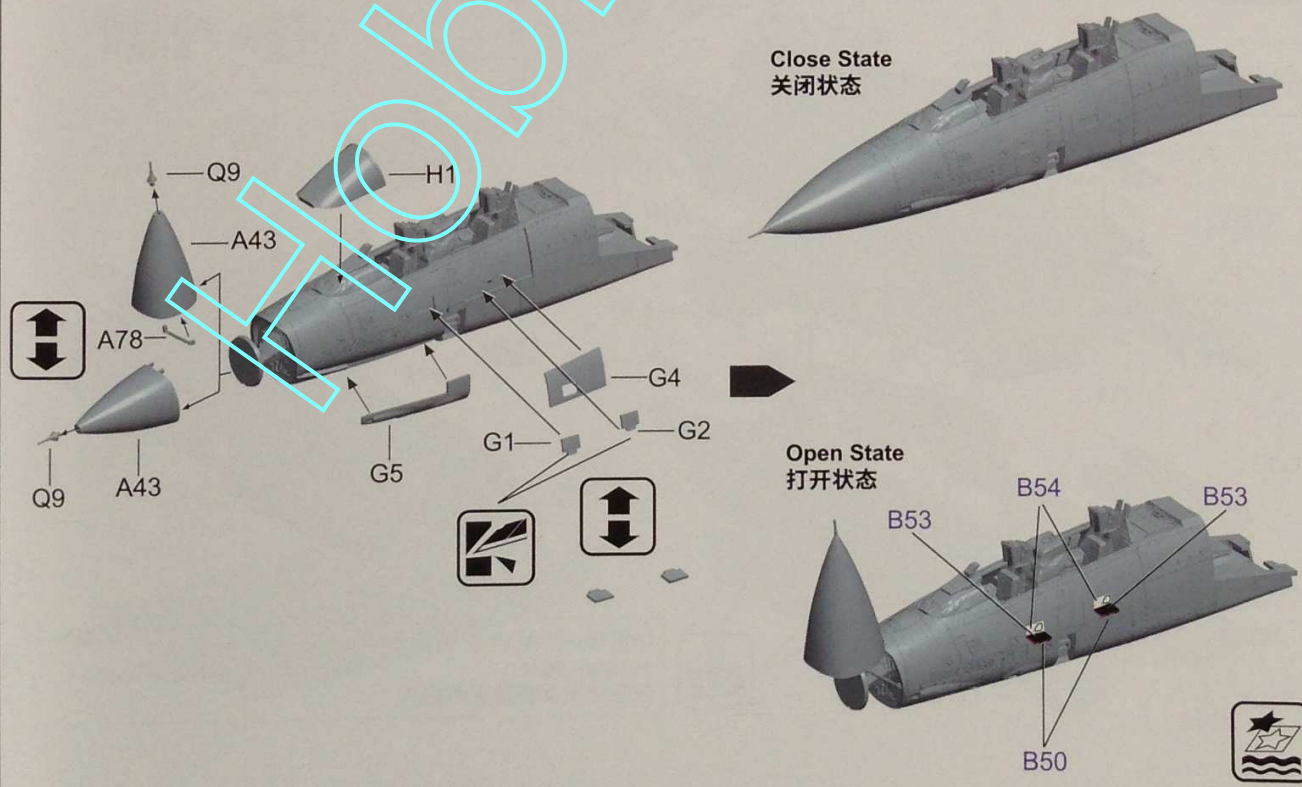
4



5

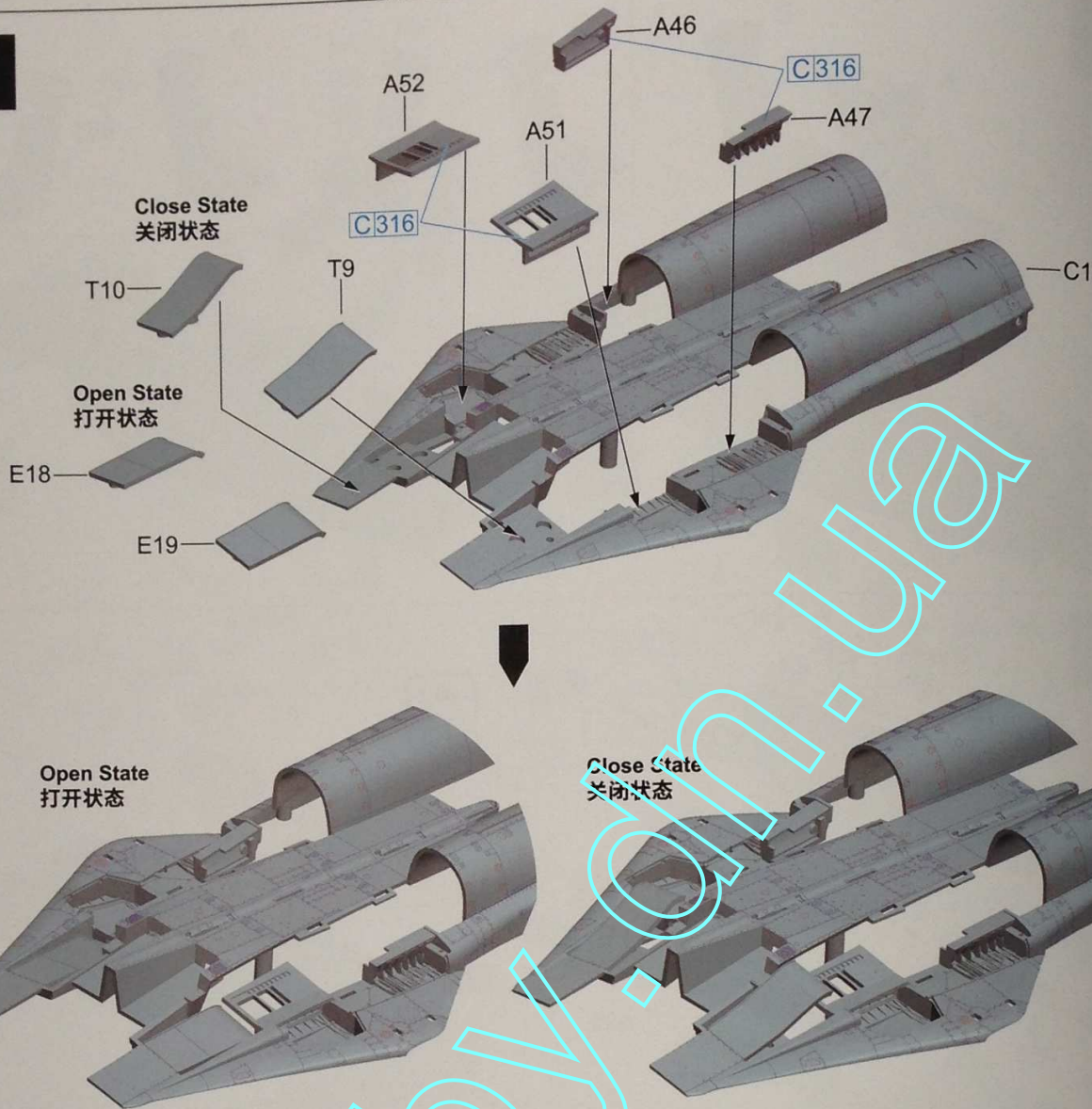


5

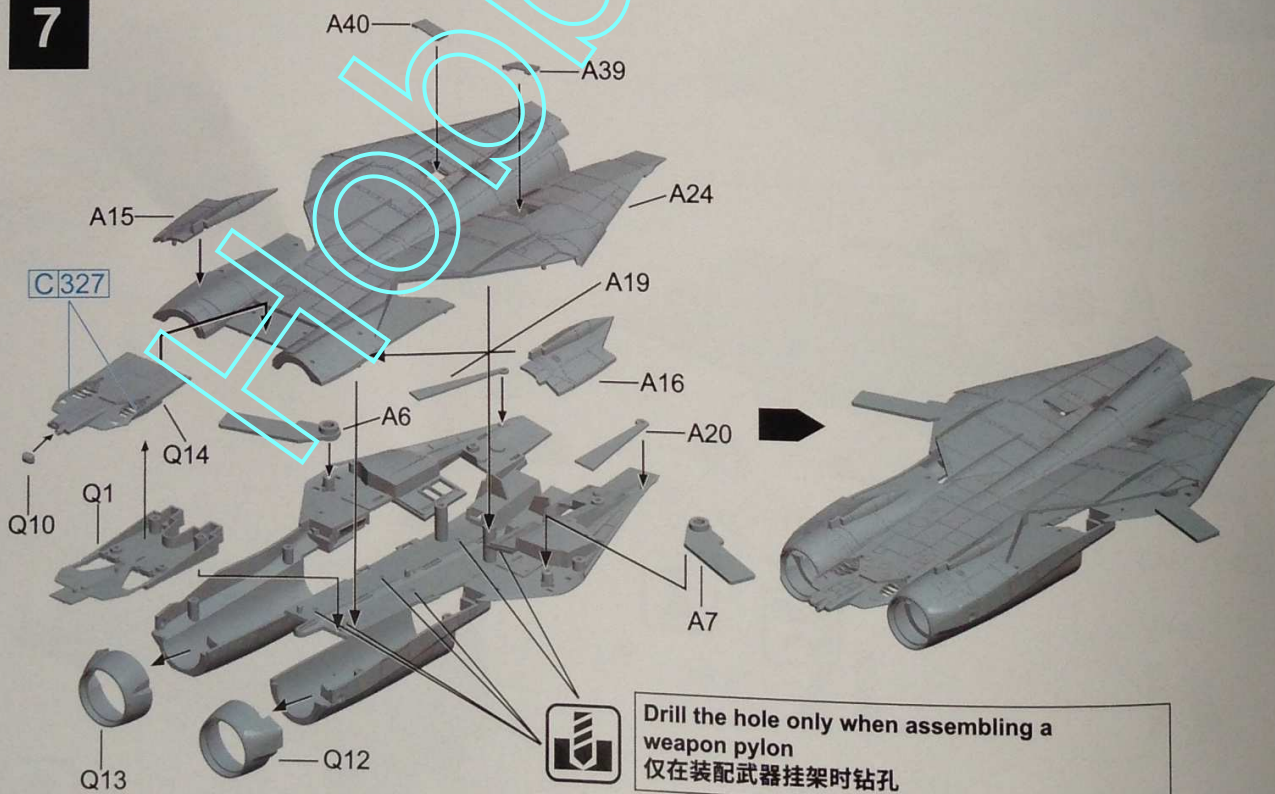




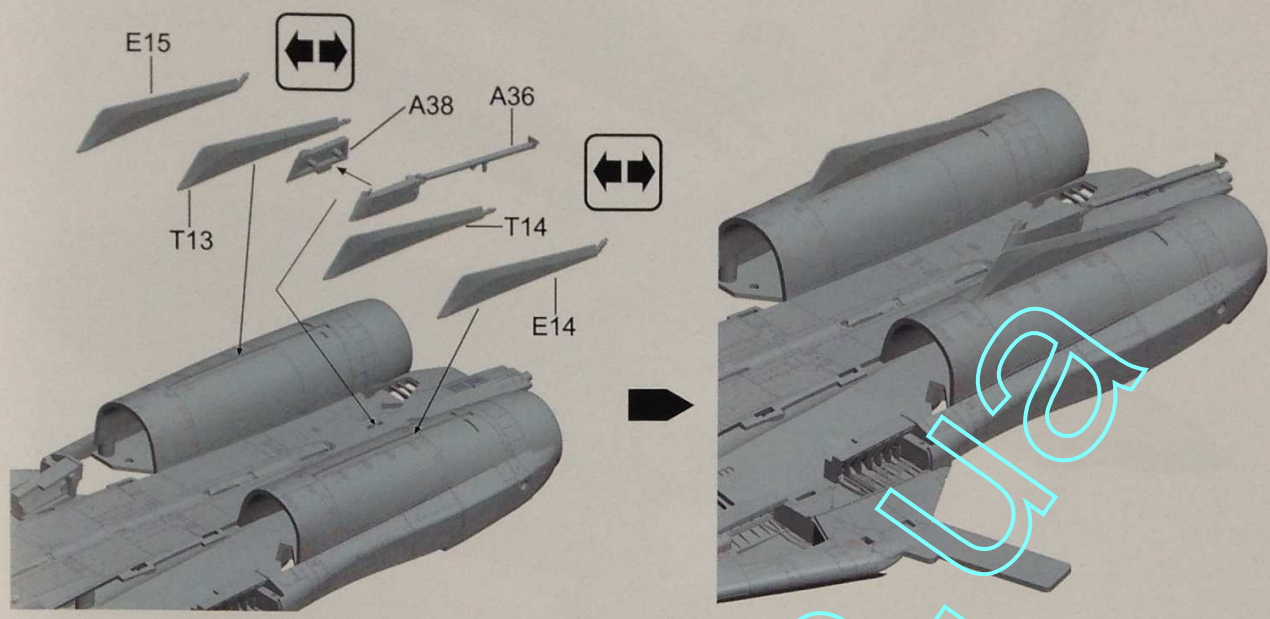
6



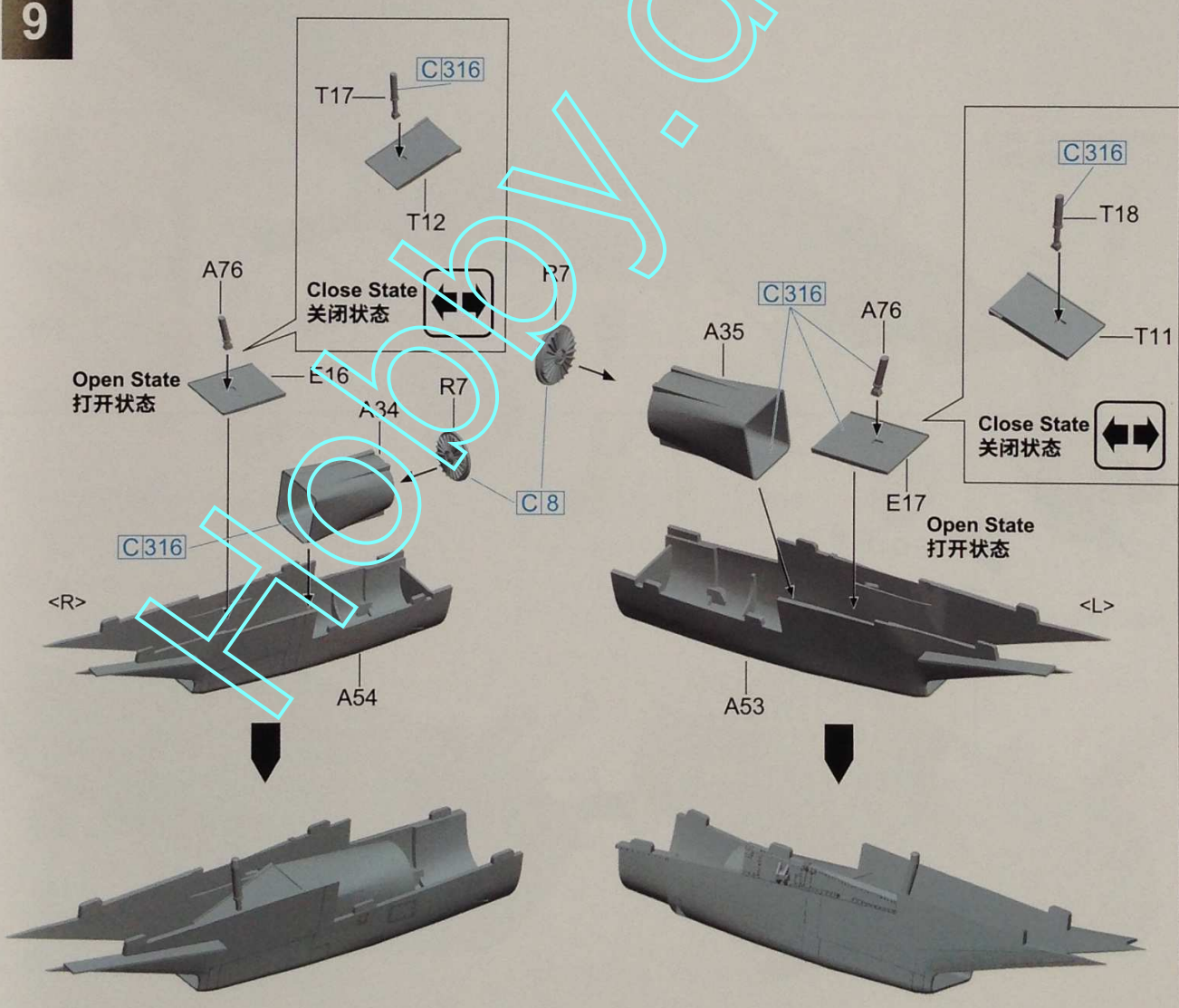
7



8



9

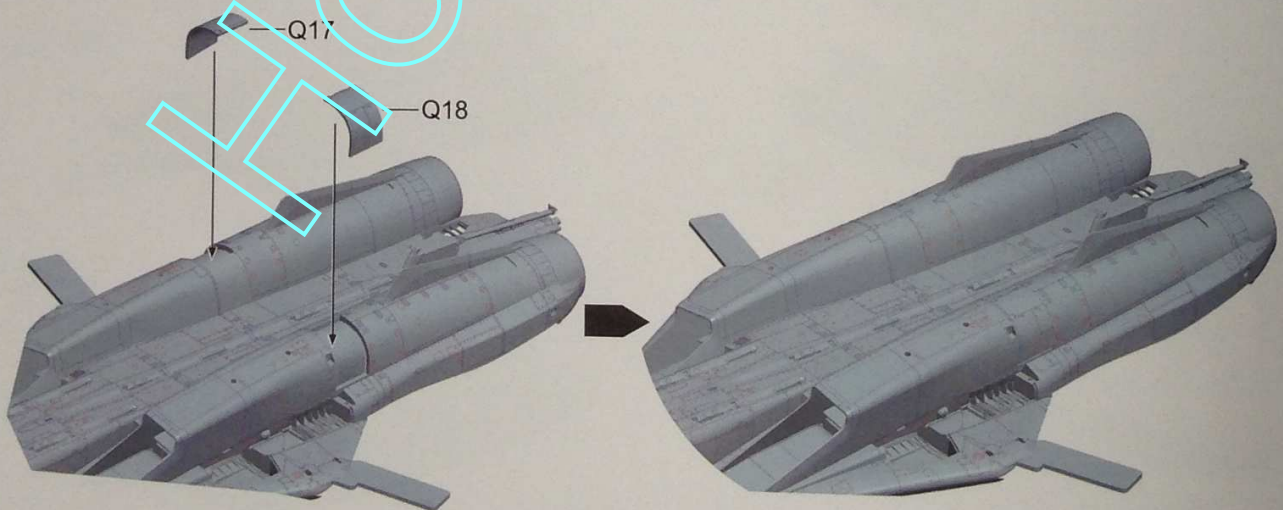




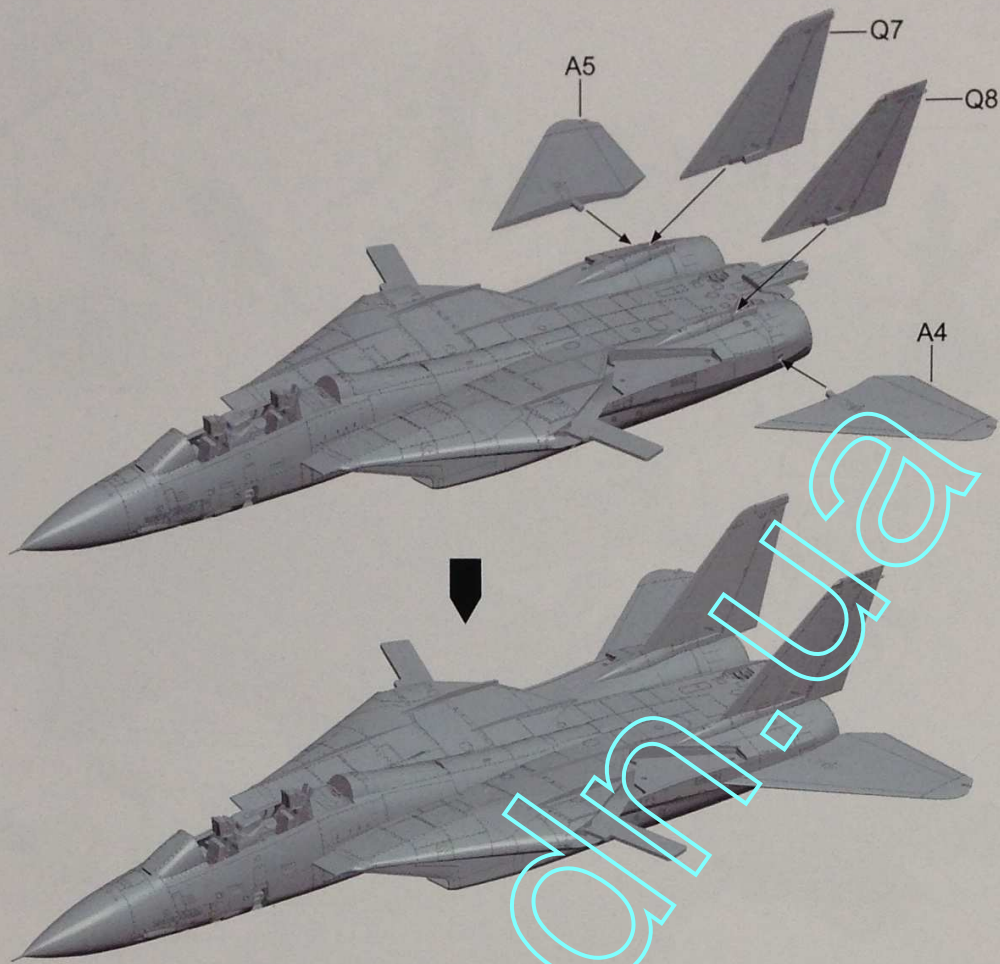
10



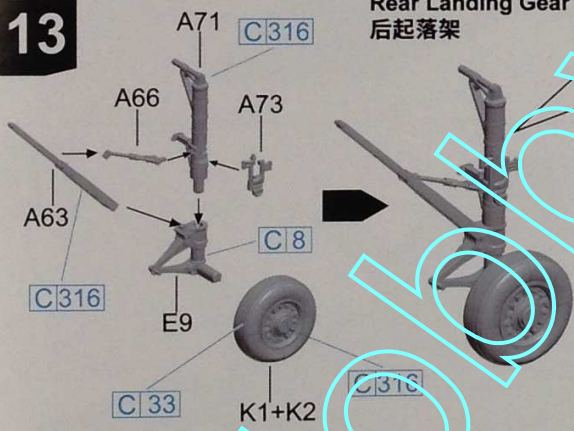
11



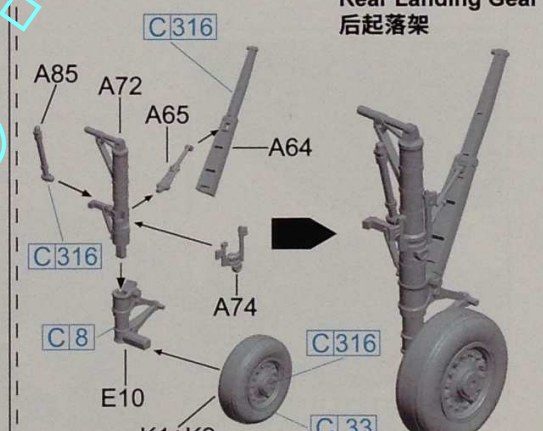




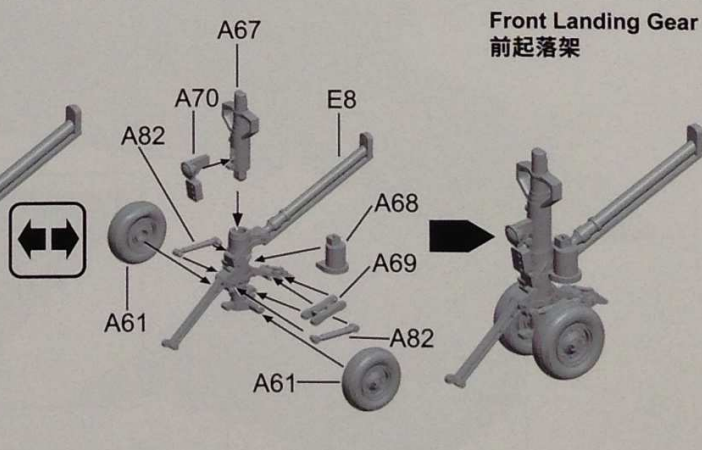
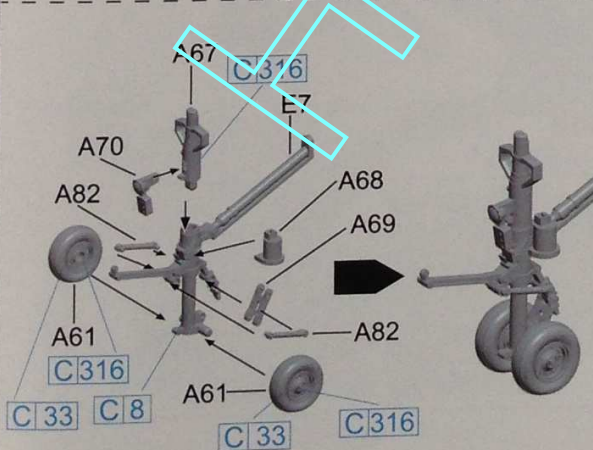
Rear Landing Gear 后起落架



Rear Landing Gear 后起落架

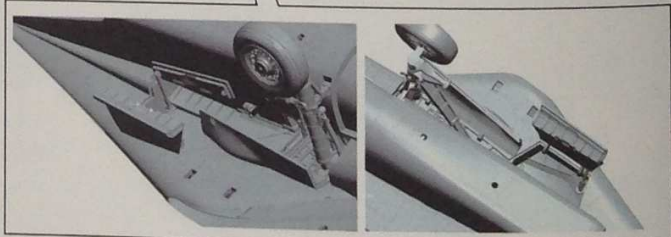
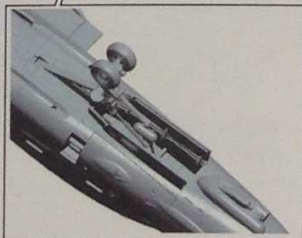
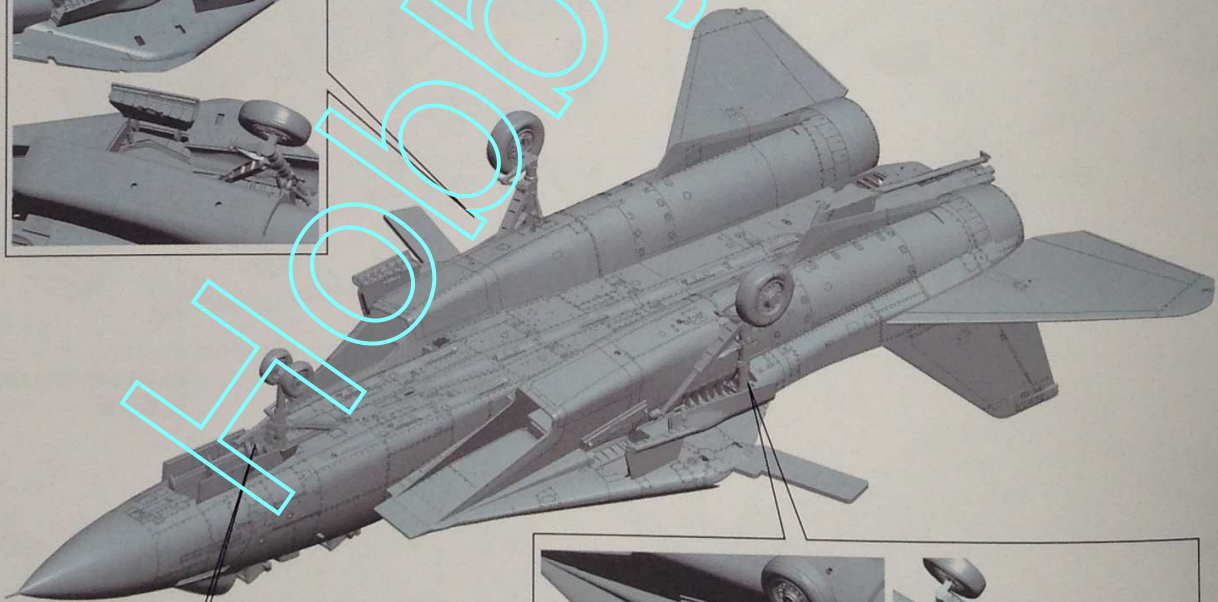
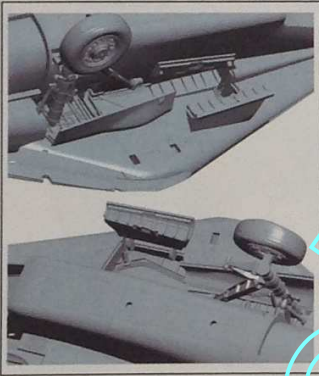
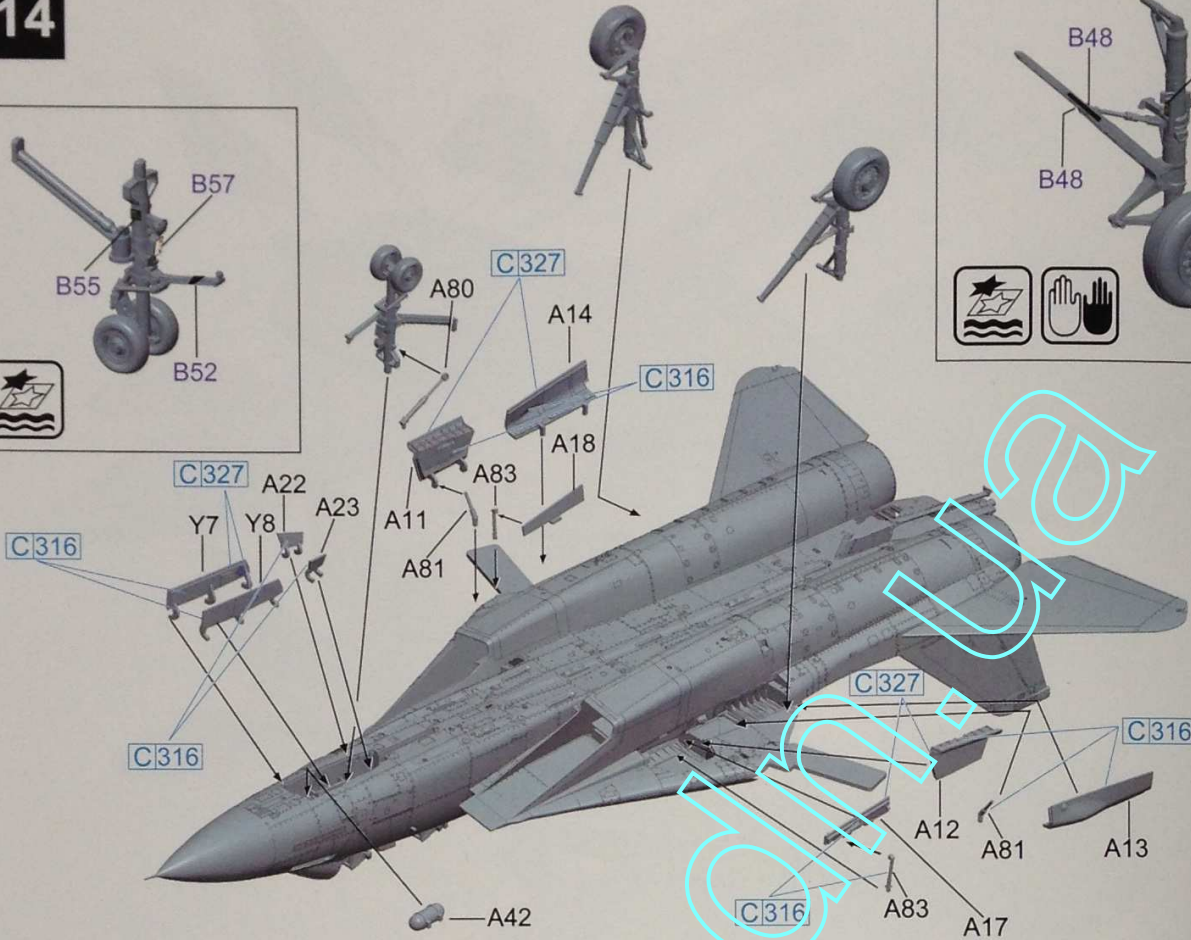


Front Landing Gear 前起落架





14

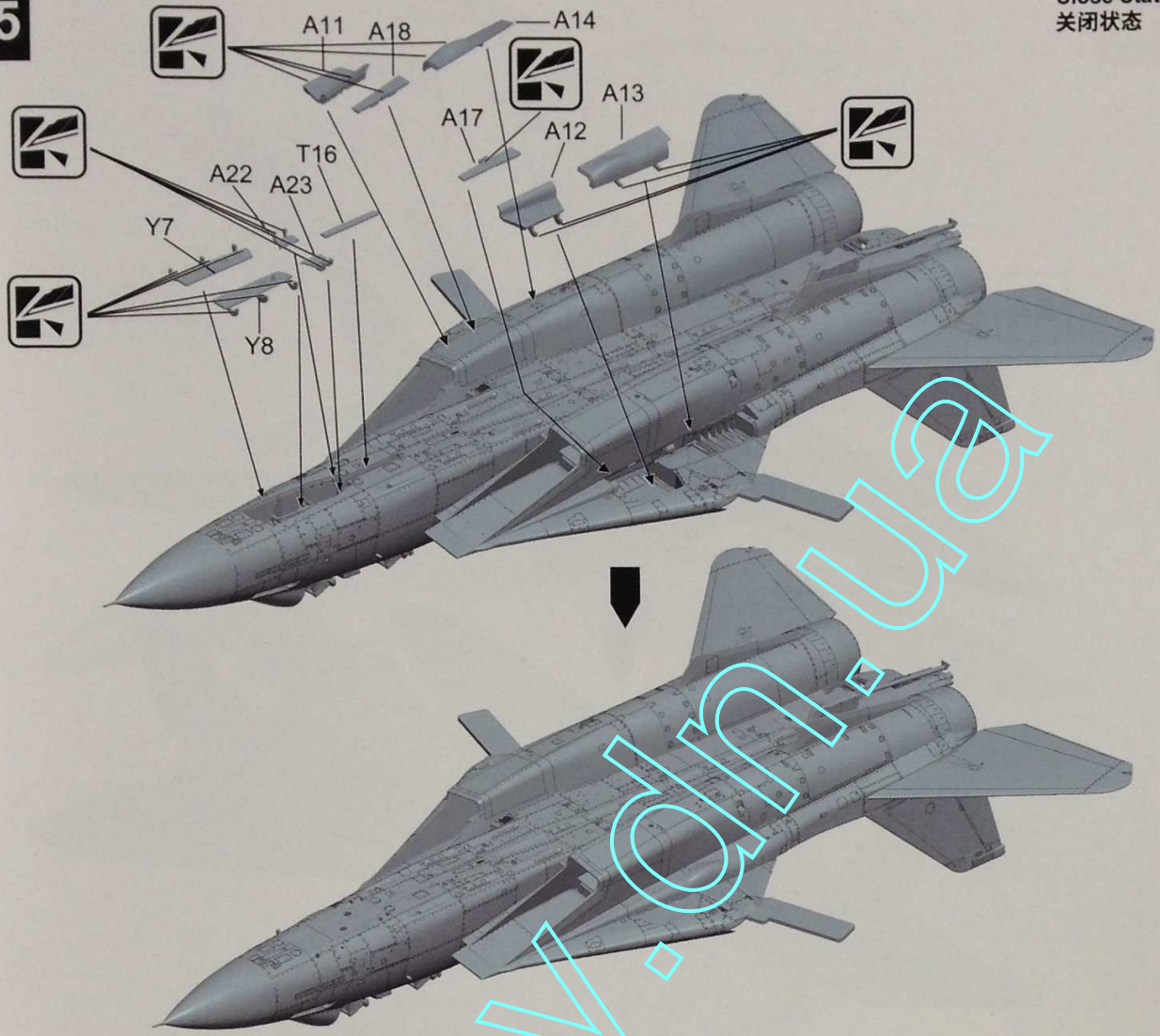


Open State  
打开状态

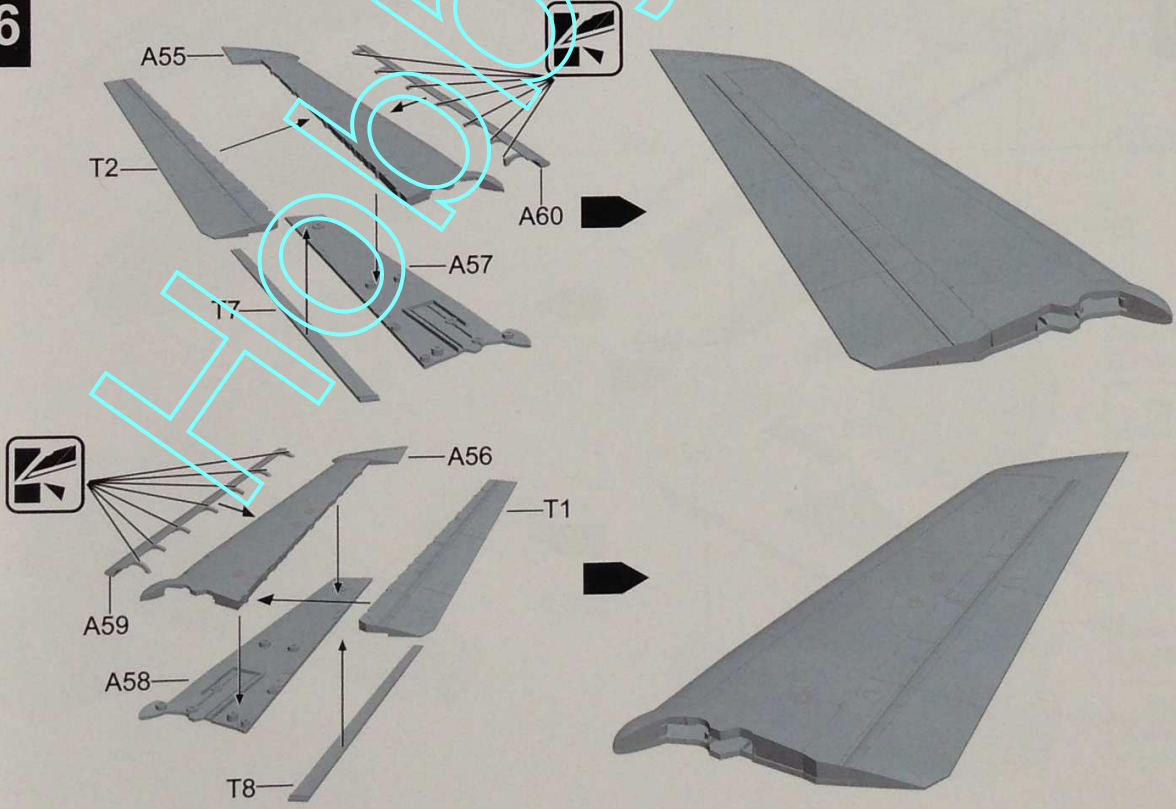


Close State  
关闭状态

15



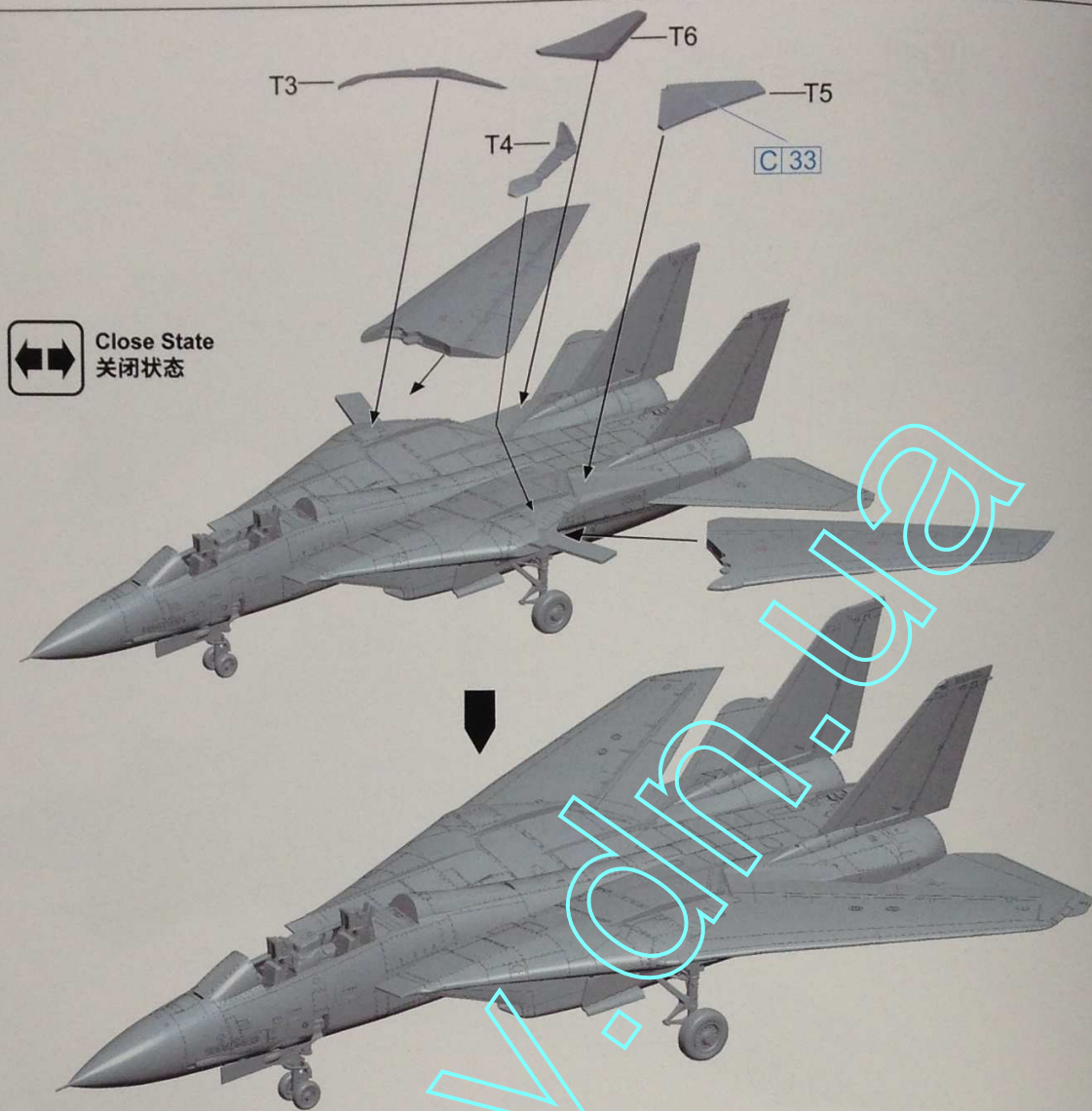
16



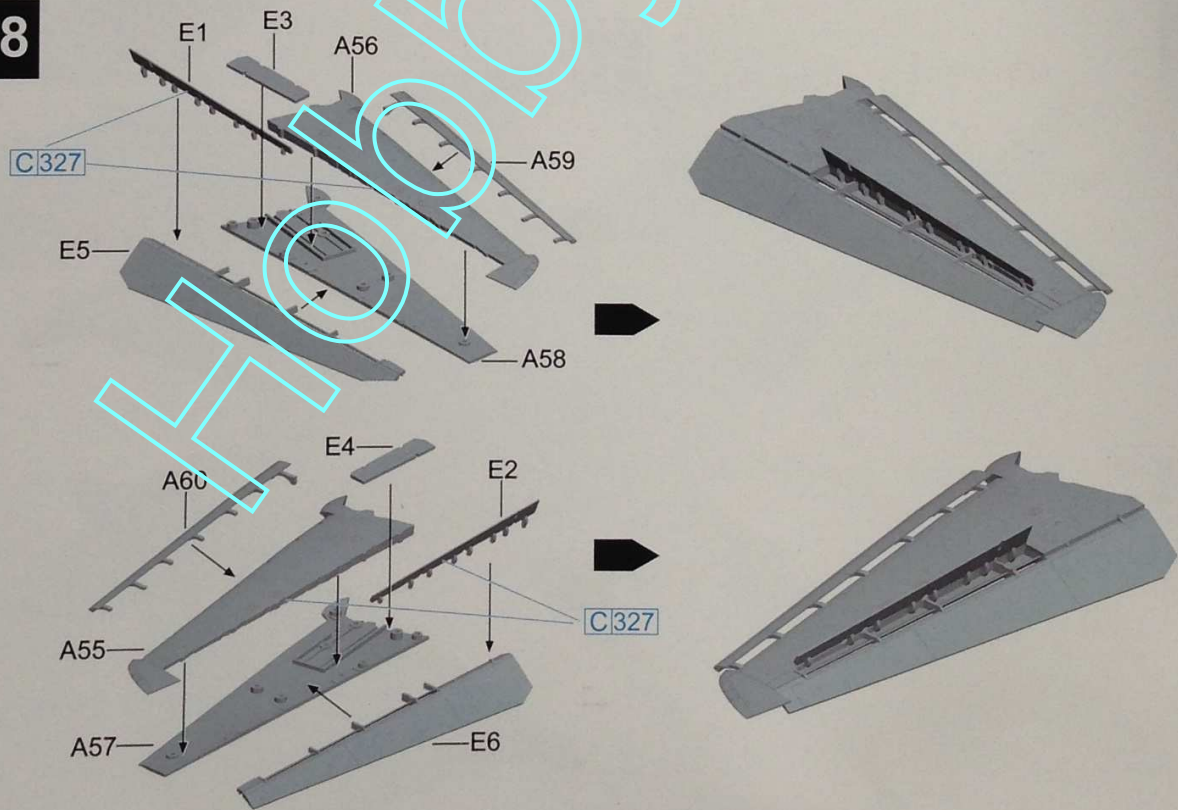
Close State  
关闭状态



17



18



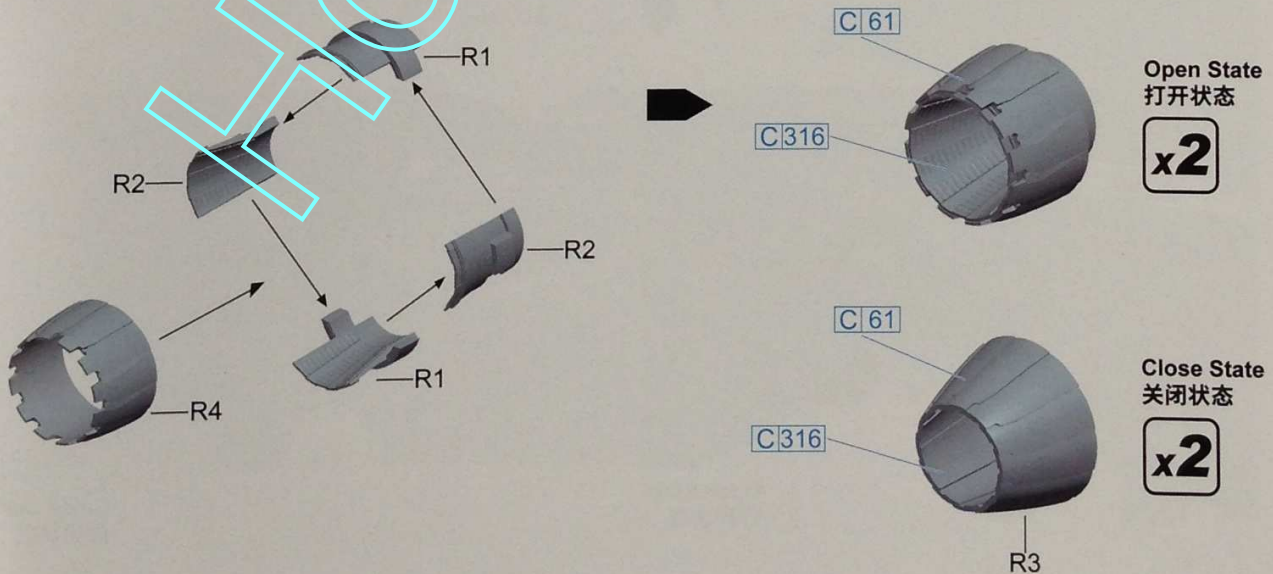
Open State  
打开状态



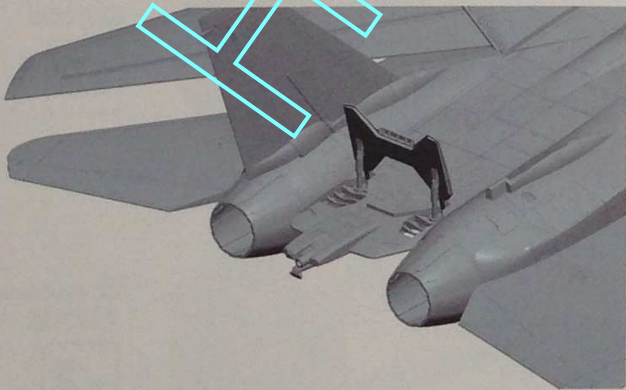
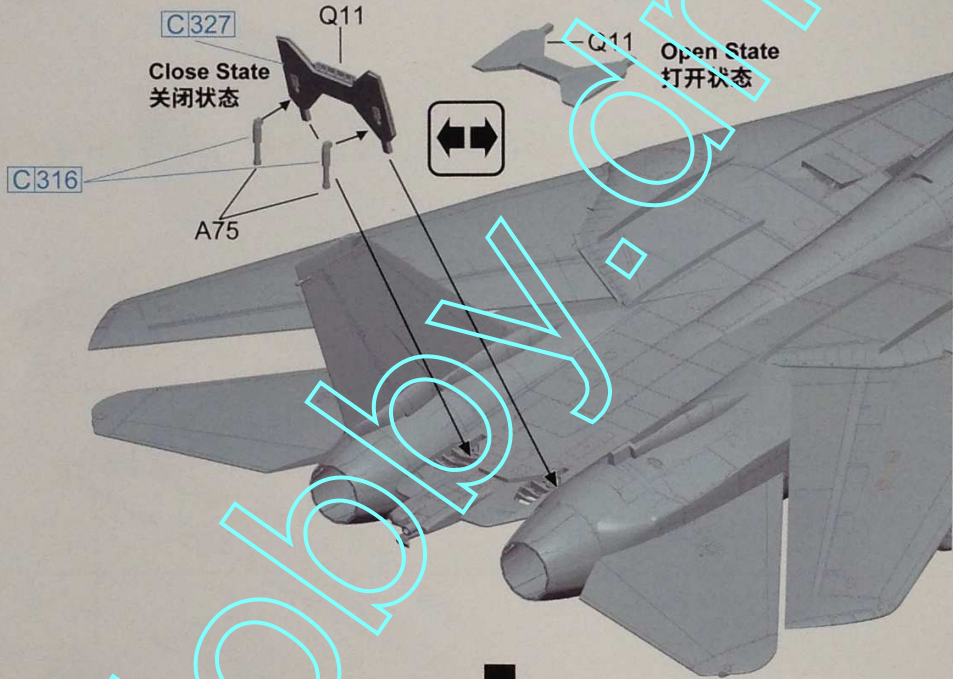
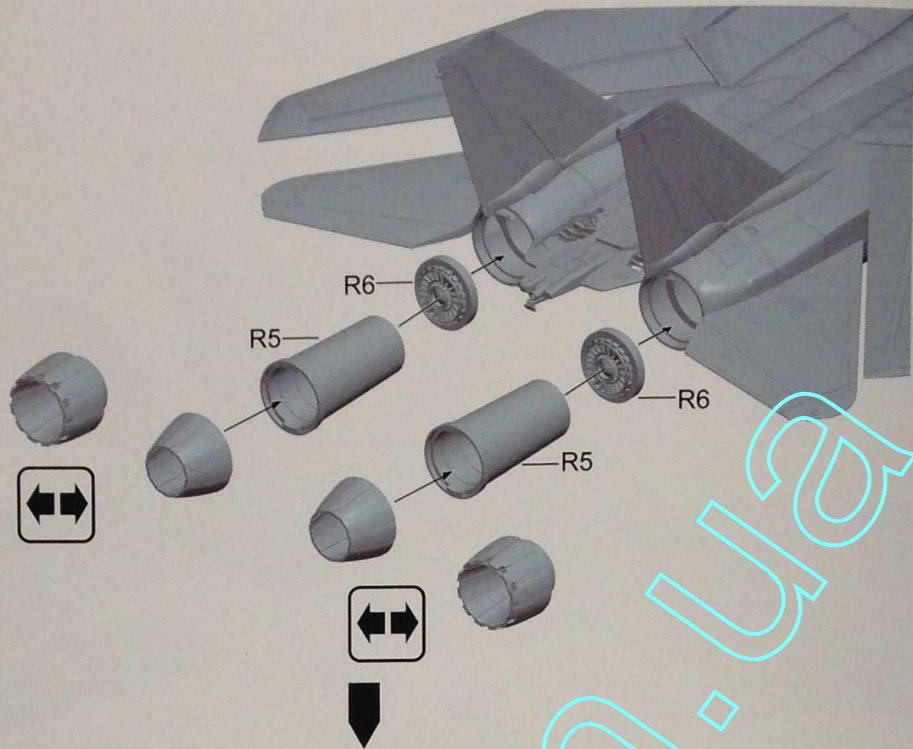
19



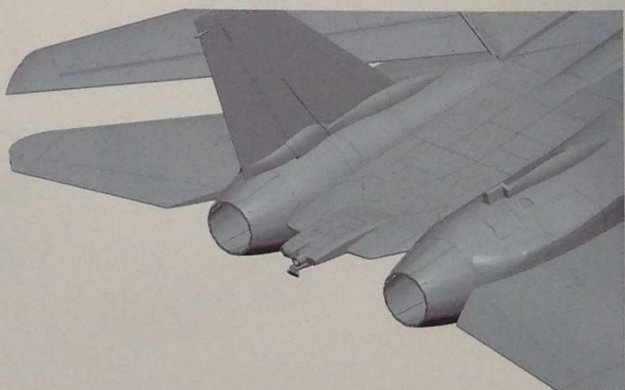
20







Open State  
打开状态

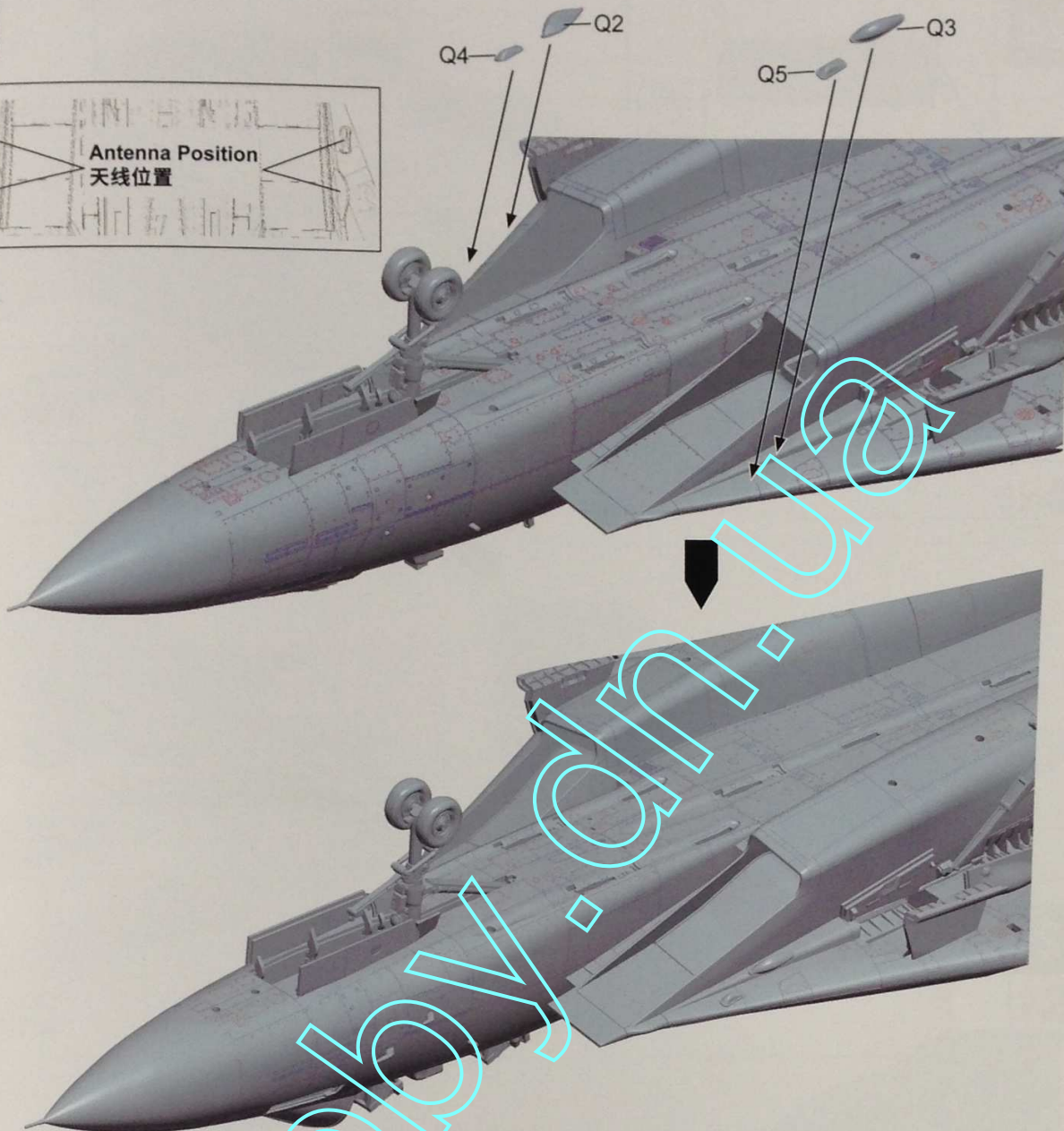
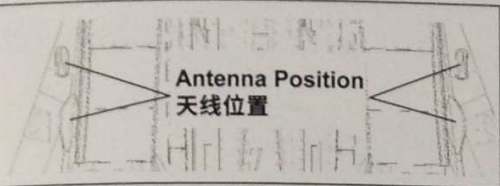


Close State  
关闭状态

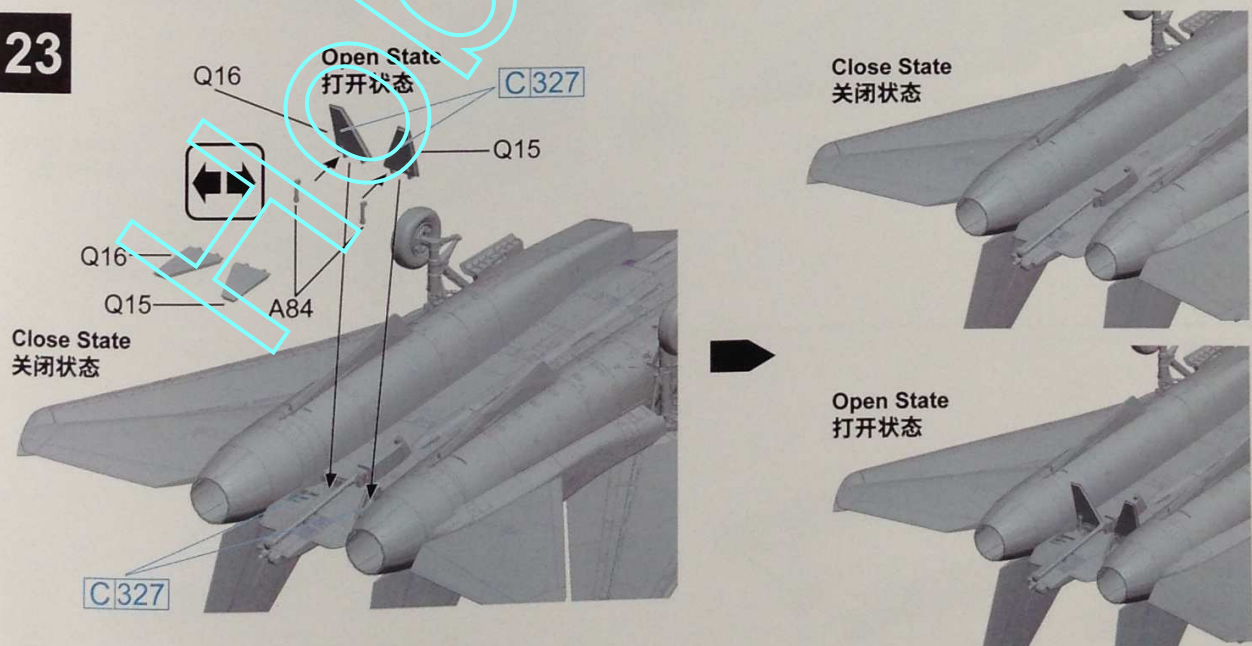
Hobbyonline.us



22



23

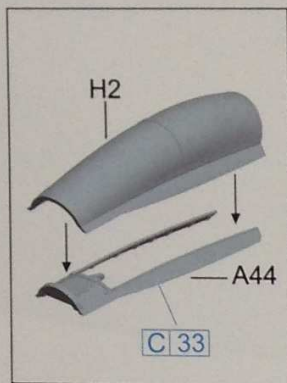




24

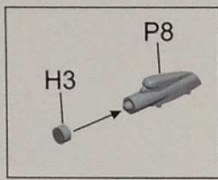


B61



H2

C 33



H3

P8



A79

A8

G3

A9



Q6

A25

A26

C316

C327

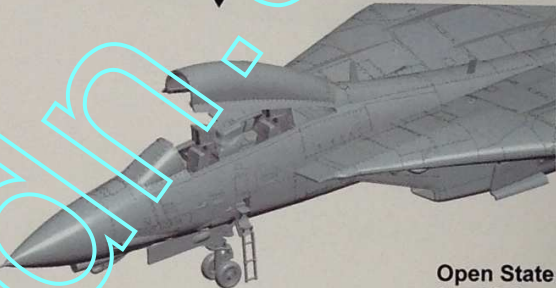
E11



T15

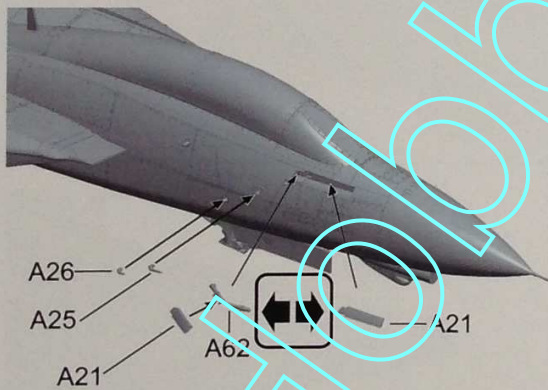


Close State  
关闭状态



Open State  
打开状态

25



A26

A25

A21

A62

A21



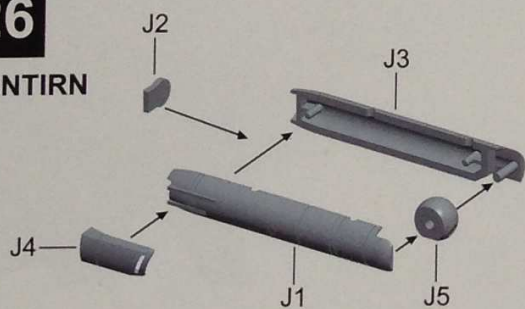
Close State  
关闭状态



Open State  
打开状态

26

LANTIRN



J2

J3

J4

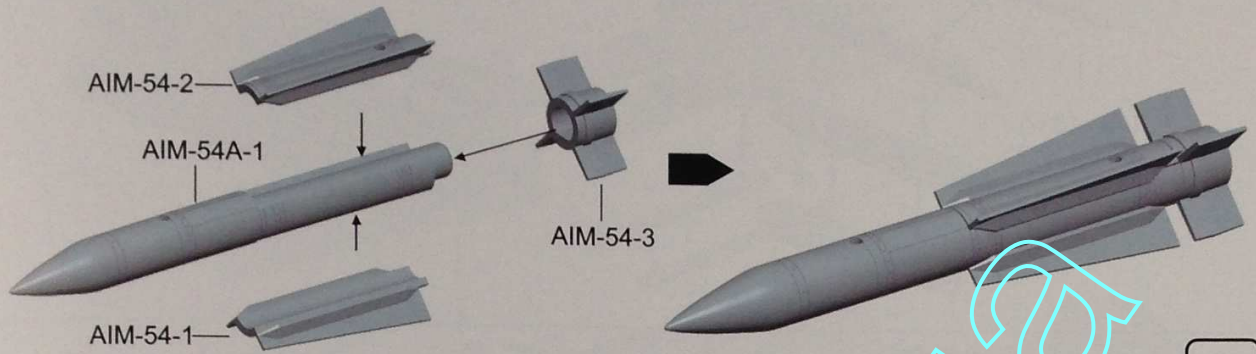
J1

J5



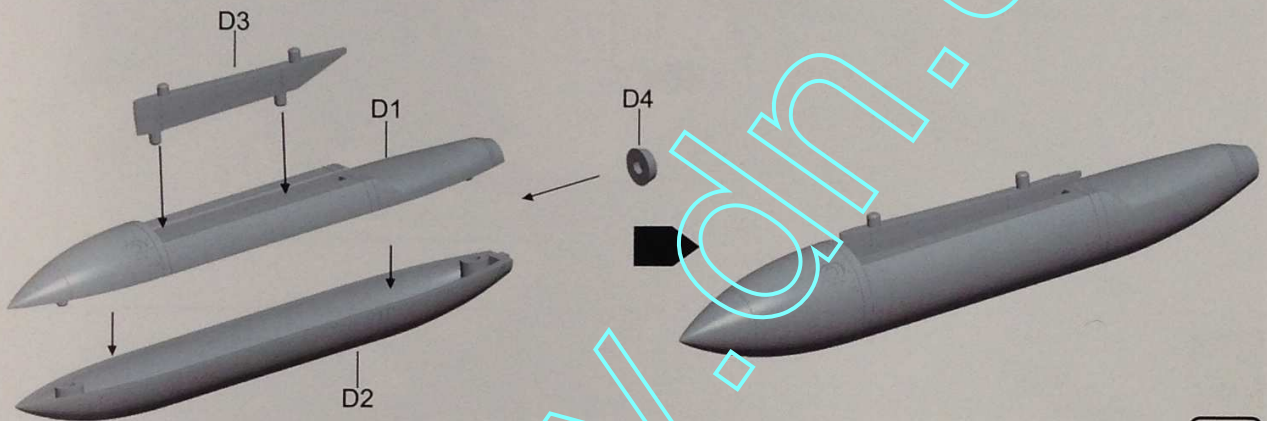


AIM-54A



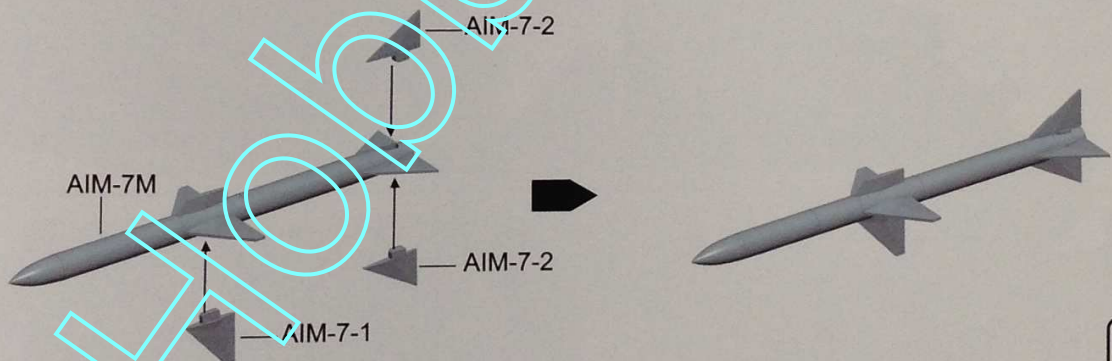
x4

TANK



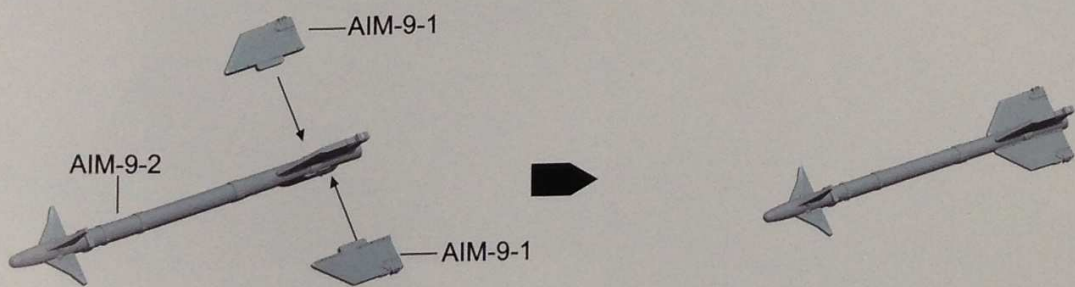
x2

AIM-7M



x2

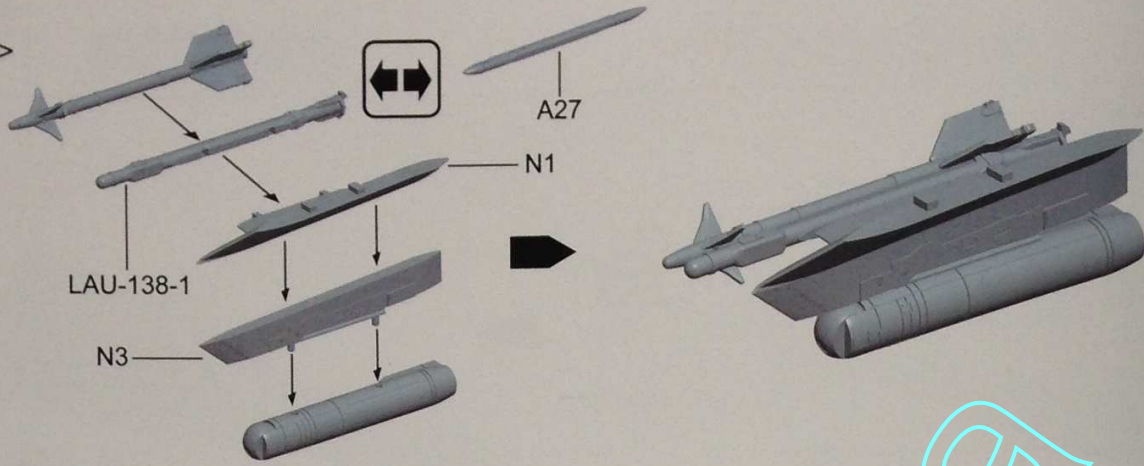
AIM-9



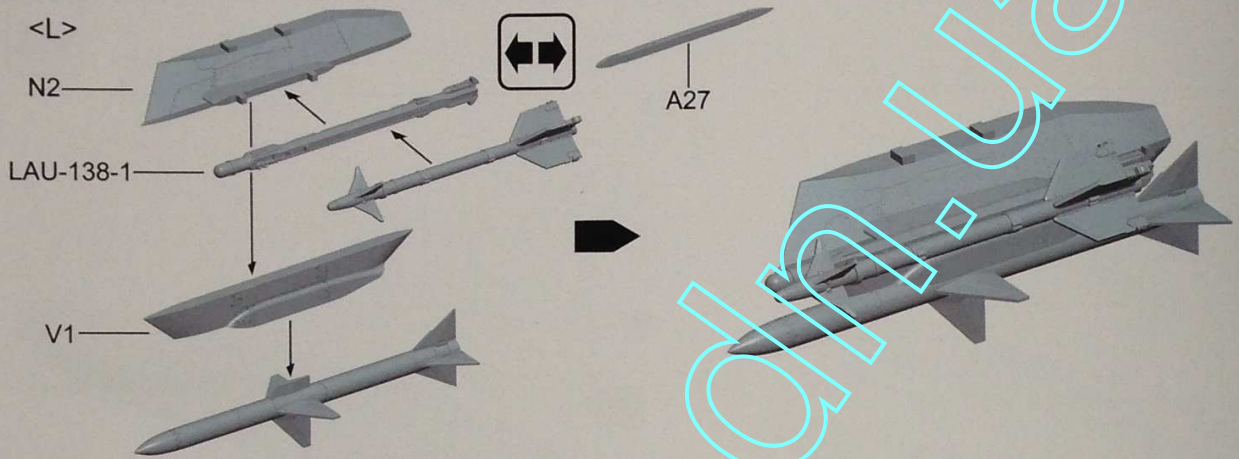
x2



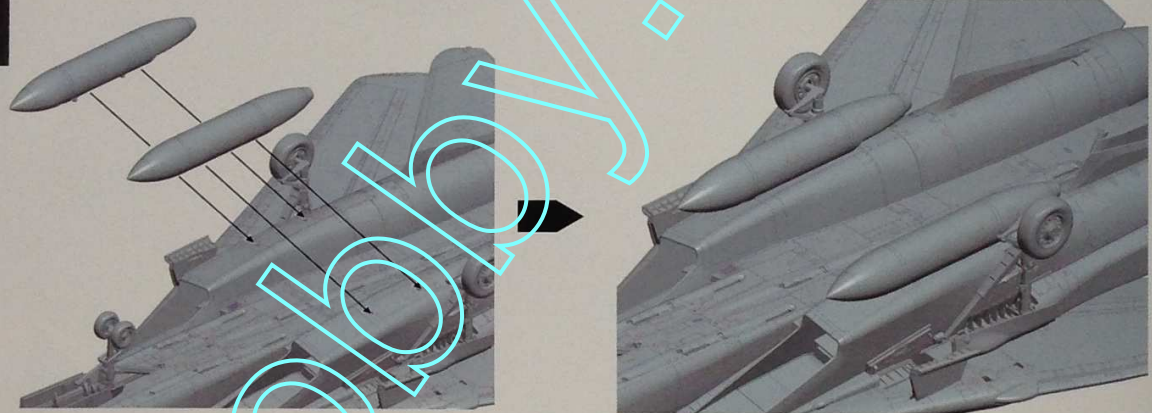
<R>



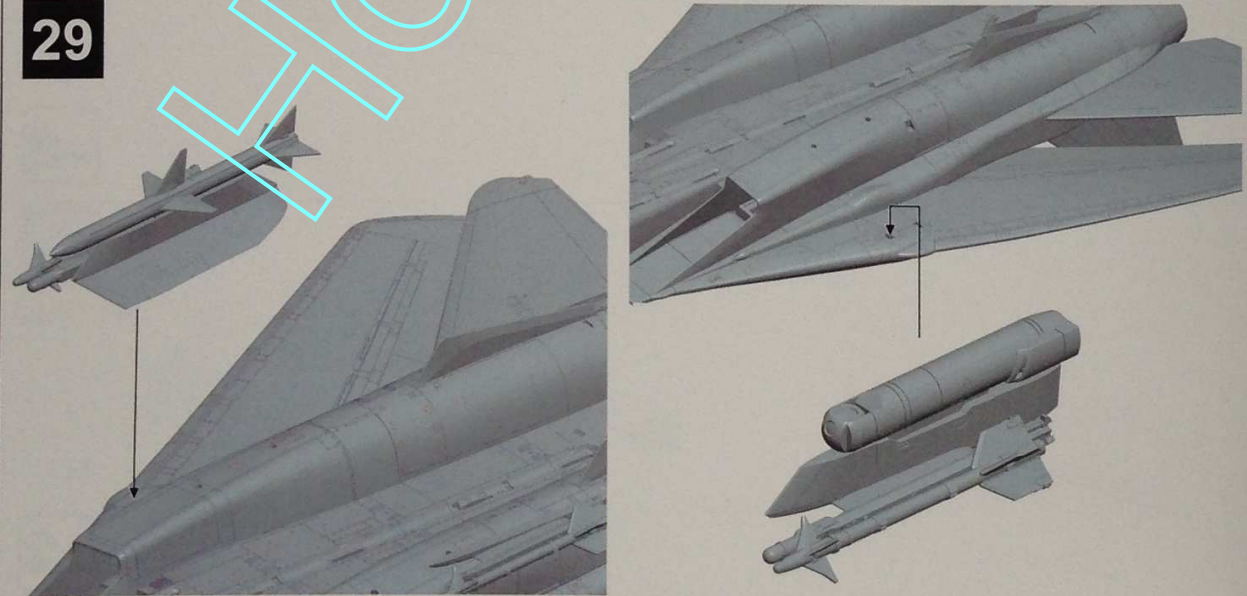
<L>



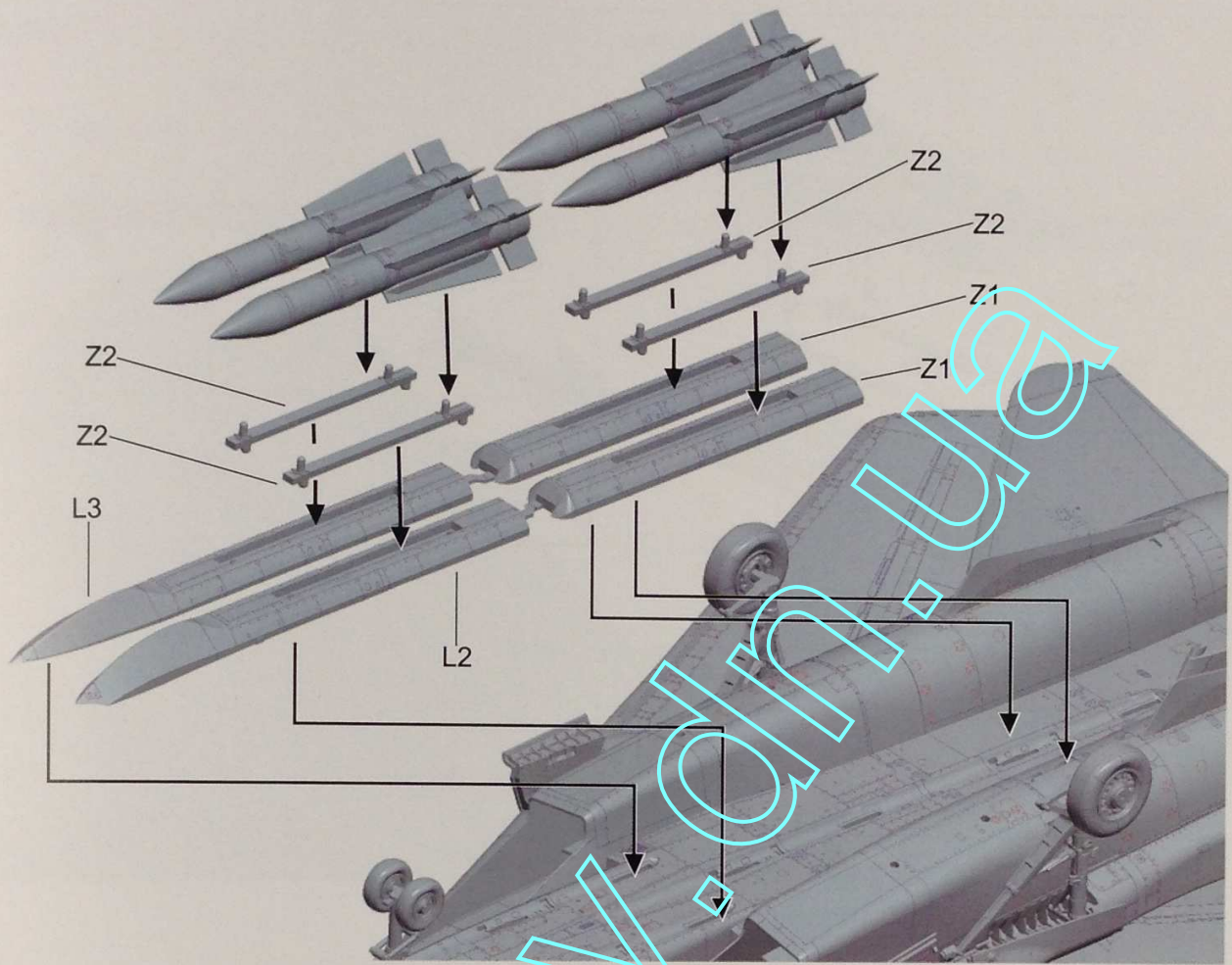
28



29

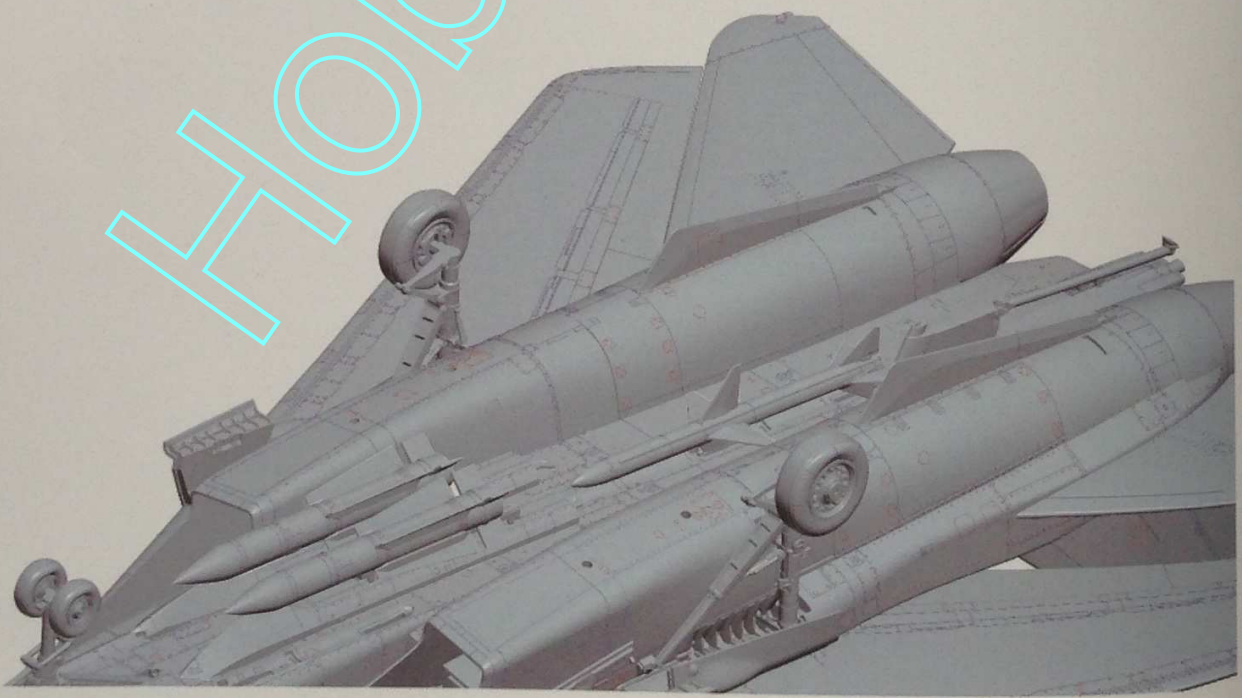
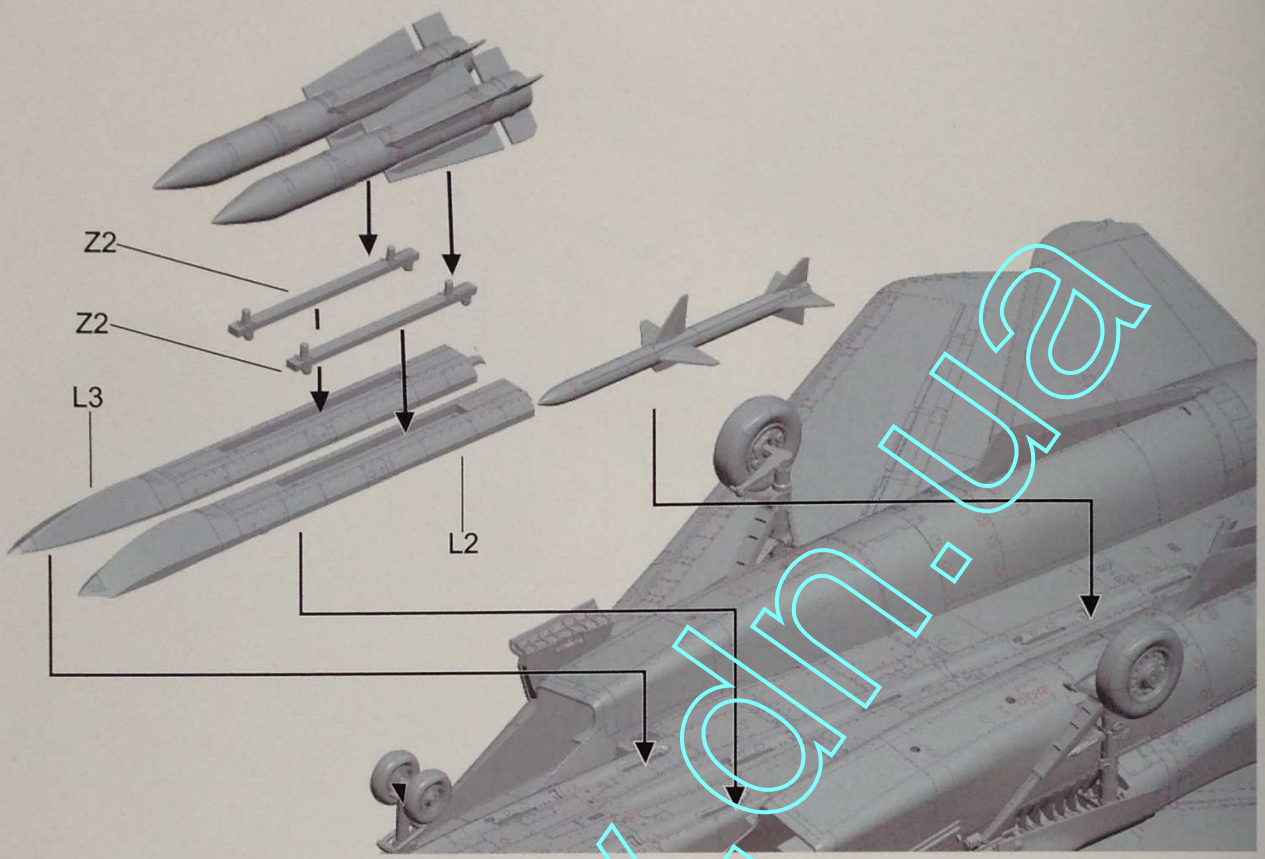






HobbyOnline.us

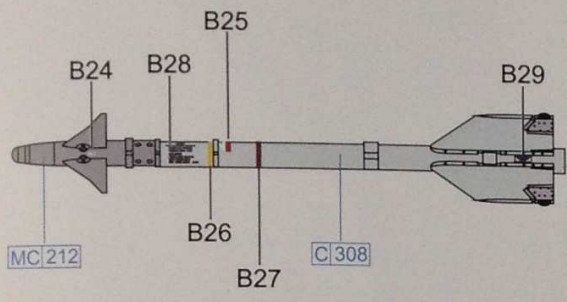




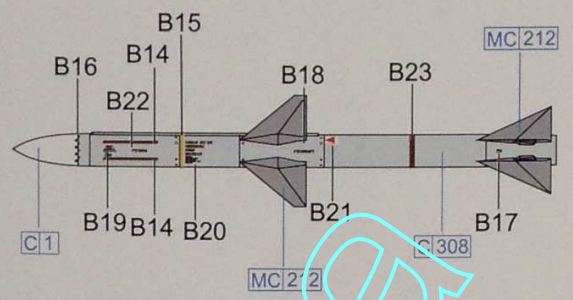
Hobbyon.ua



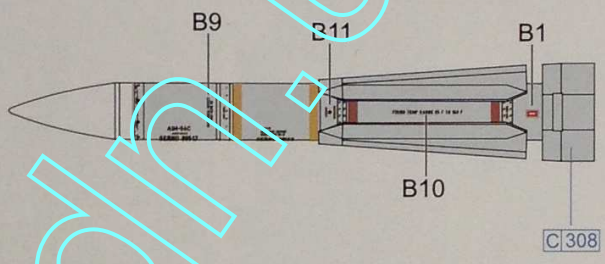
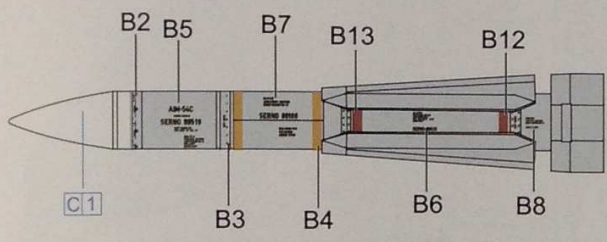
AIM-9



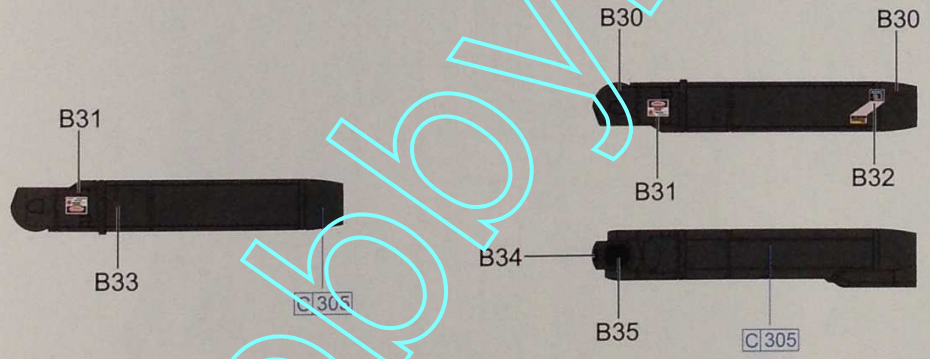
AIM-7



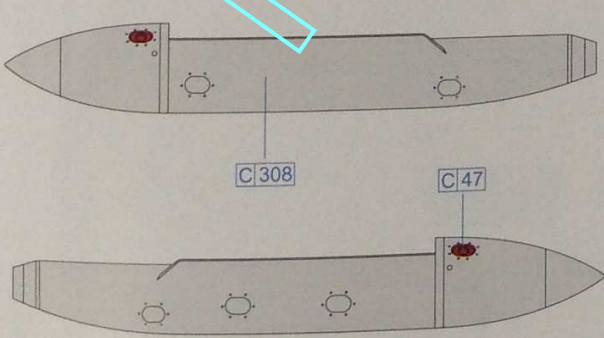
AIM-54A



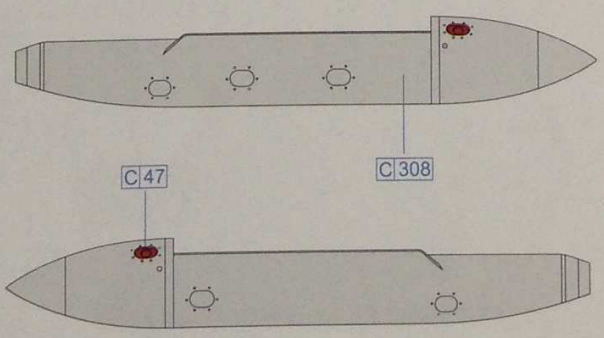
LANTIRN



Left TANK

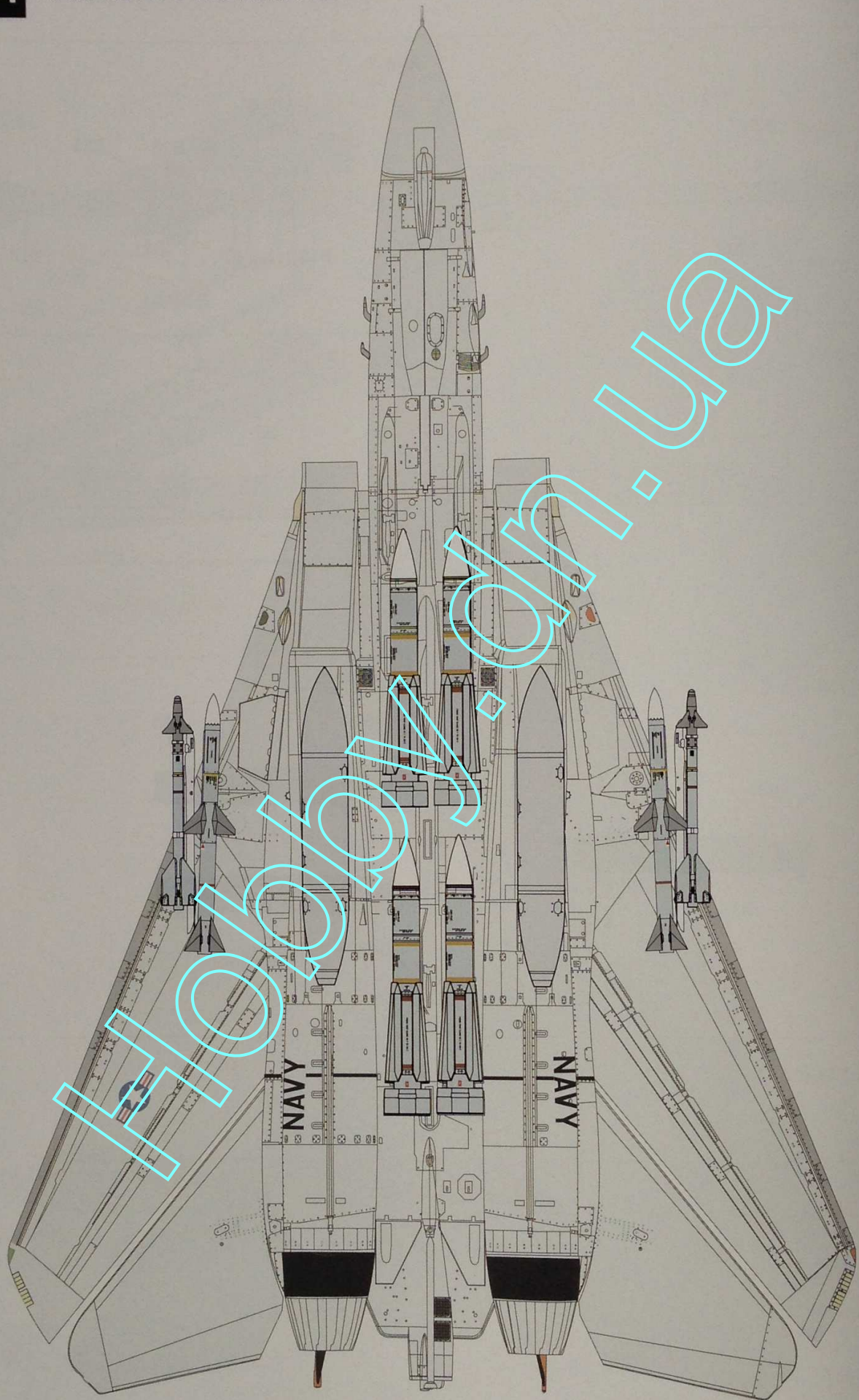


Right TANK





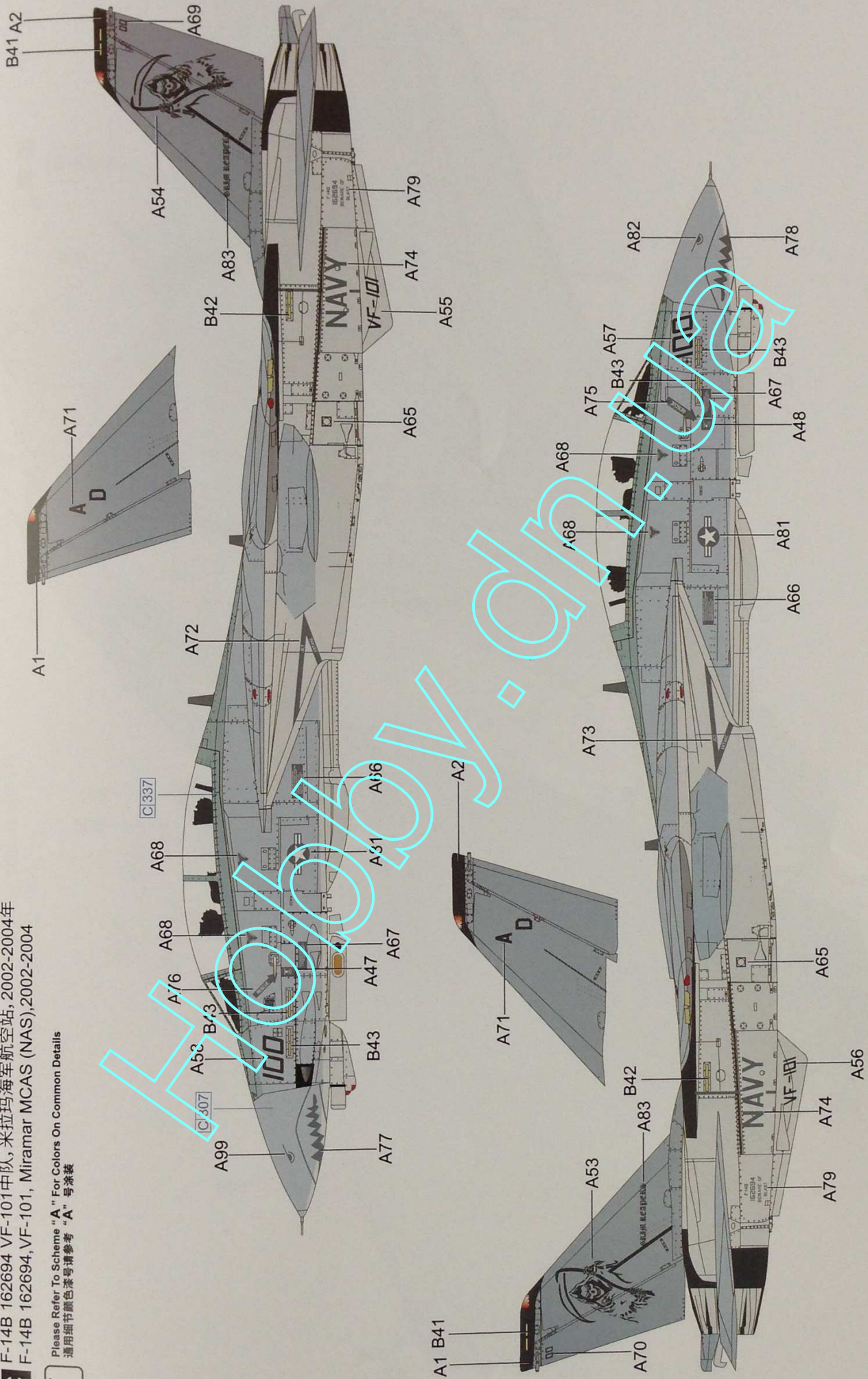
**34** ARMAMENTS INSTALLATION



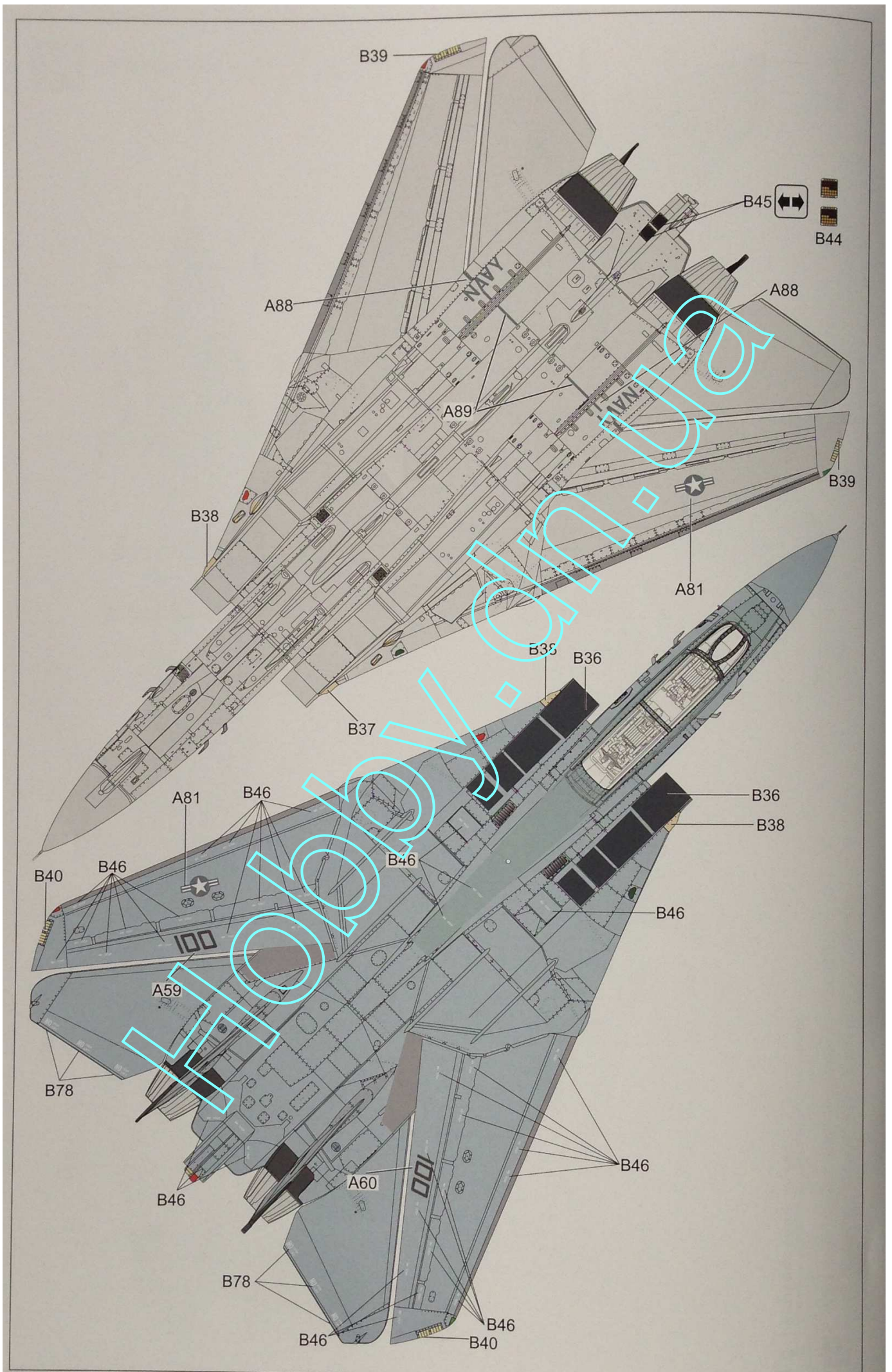


**C** F-14B 162694 VF-101中队, 米拉玛海军航空站, 2002-2004年  
 F-14B 162694, VF-101, Miramar MCAS (NAS), 2002-2004

**!** Please Refer To Scheme "A" For Colors On Common Details  
 通用细节颜色请参考 "A" 号涂装



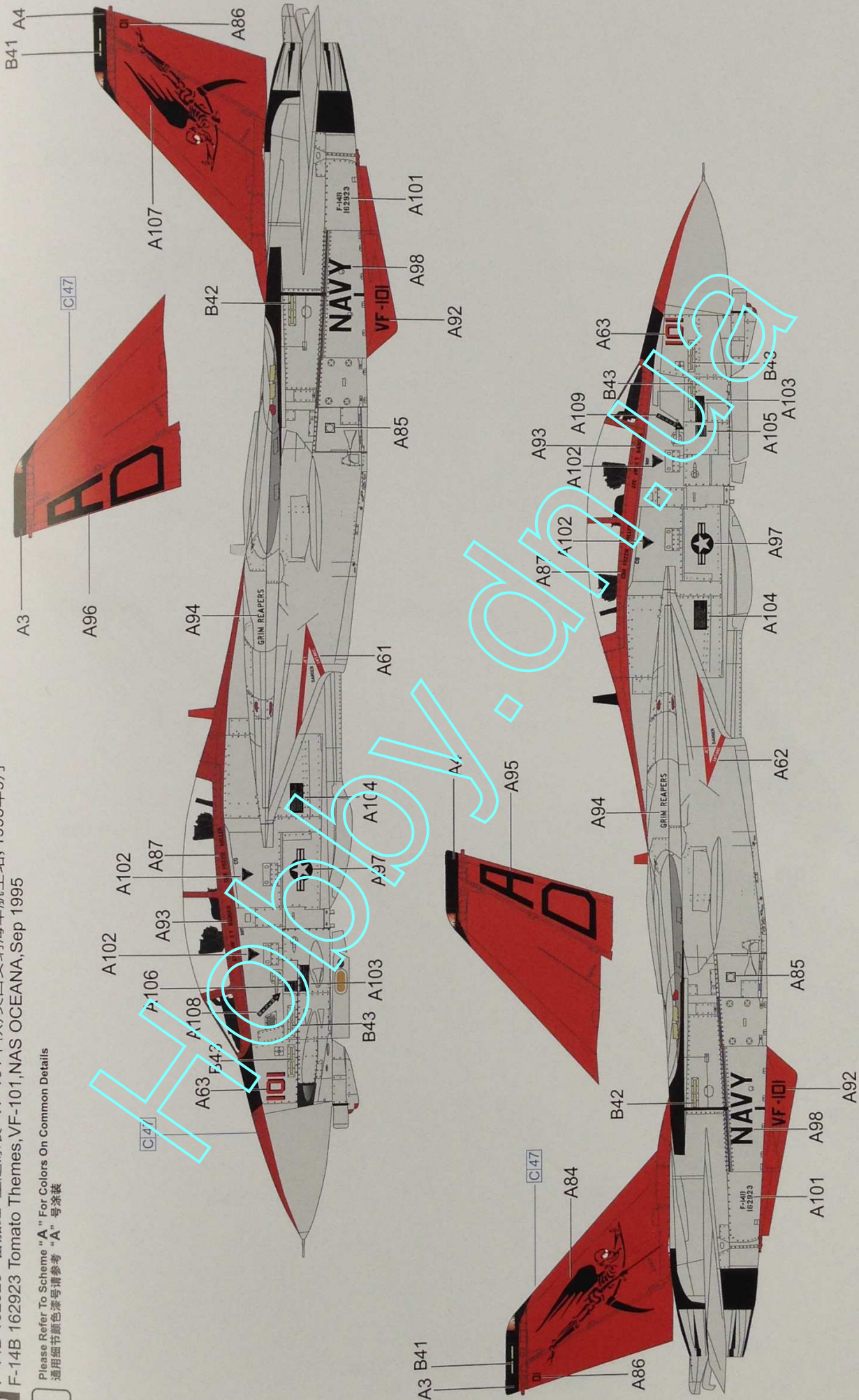




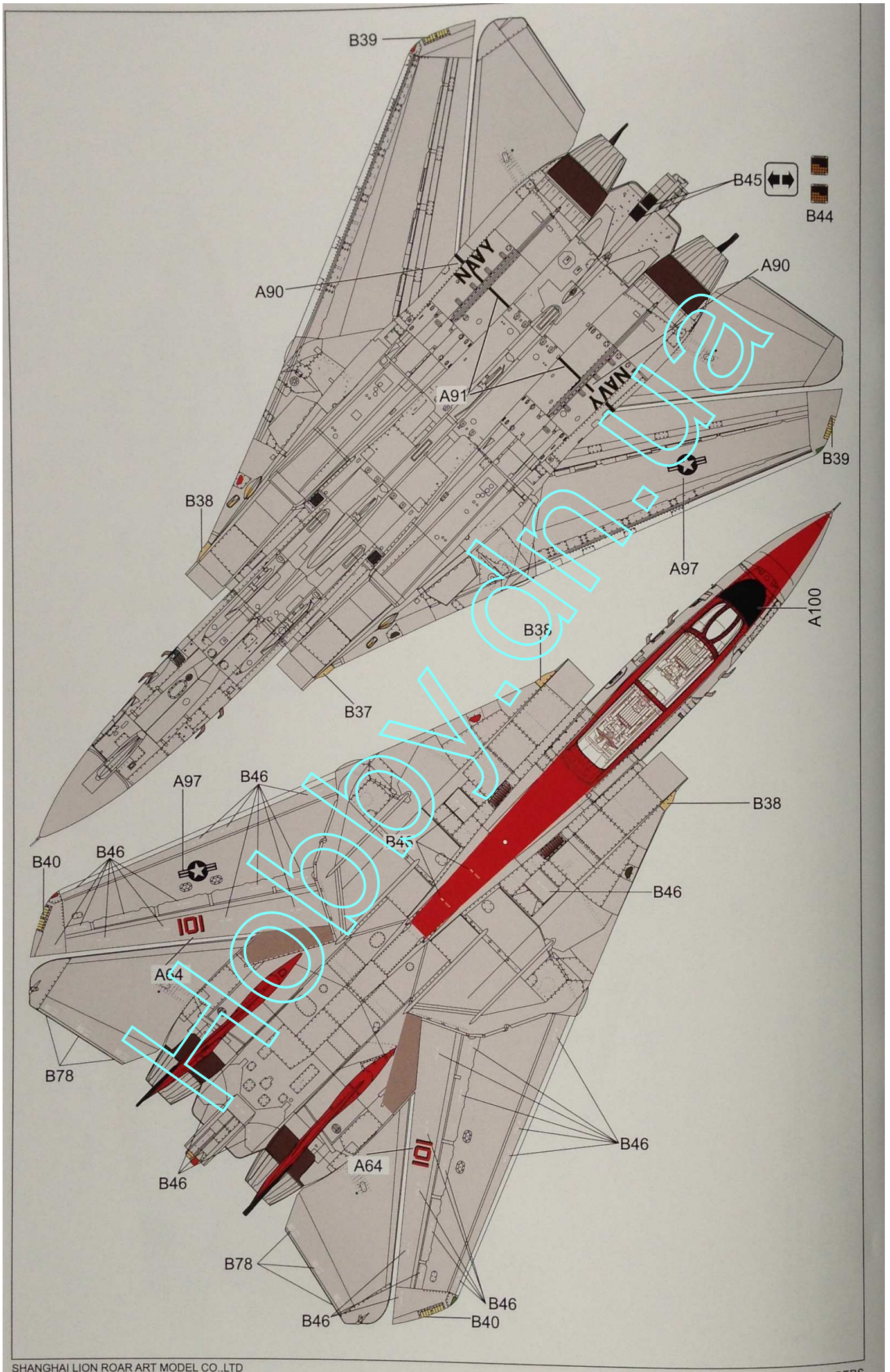


F-14B 162923 “番茄红”主题涂装 VF-101中队,奥西安纳海军航空站,1995年9月  
 F-14B 162923 Tomato Themes, VF-101, NAS OCEANA, Sep 1995

Please Refer To Scheme "A" For Colors On Common Details  
 通用细节颜色请参考“A”号涂装









# VF-101 GRIM REAPERS F-14B LIMITED EDITION

F-14B VF-101 雄猫战斗机“死神”中队



## 零件表 PARTS LIST

パーツリスト

1/72 S7204 SCALE AIRCRAFT

**A-1** Part X1 **A-2** Part X1 **A-3** Part X1 **A-4** Part X1 **A-5** Part X1 **A-6** Part X1 **A-7** Part X1 **G** Part X1 **D** Part X2

**T** Part X1 **C** Part X1 **E** Part X1 **H** Part X1 **P** Part X1 **Q** Part X1 **R** Part X2 **J** Part X1 **L** Part X1 **V** Part X1

**Y** Part X1 **Z** Part X2 **LAU-138** Part X2 **AIM-7M** Part X2 **AIM-54** Part X4 **AIM-54A** Part X4 **AIM-9** Part X2 **AIM-7M** Part X2 **W** Part X1 **K** Part X1 **M** Part X2 **Decal A** **Decal B**

**N** Part X1

阴影零件不使用  
DO NOT USE THE  
SHADOW PARTS

**Decal A**

**Decal B**



GWH

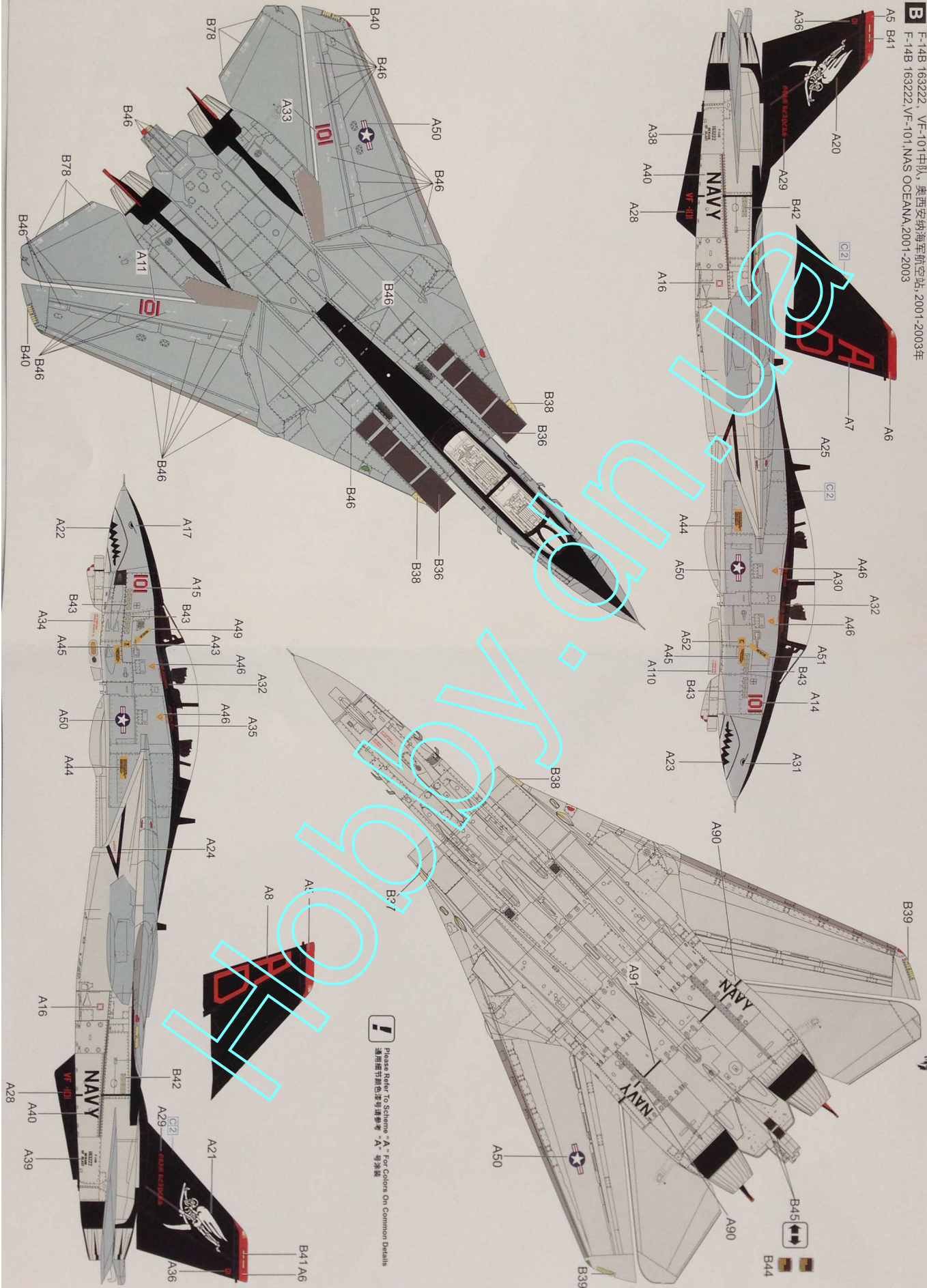
# VF-101 GRIM REAPERS

F-14B LIMITED EDITION  
F-14B VF-101 雄猫战斗机“死神”中队



1/72 SCALE  
57204 AIRCRAFT

F-14B 169222, VF-101中队, 奥西安纳海军航空站, 2001-2003年  
F-14B 169222, VF-101, NAS OCEANNA, 2001-2003



Please Refer To Scheme "A" For Colors On Common Details  
通用图书颜色索引请参考 "A" 号涂装



GWH

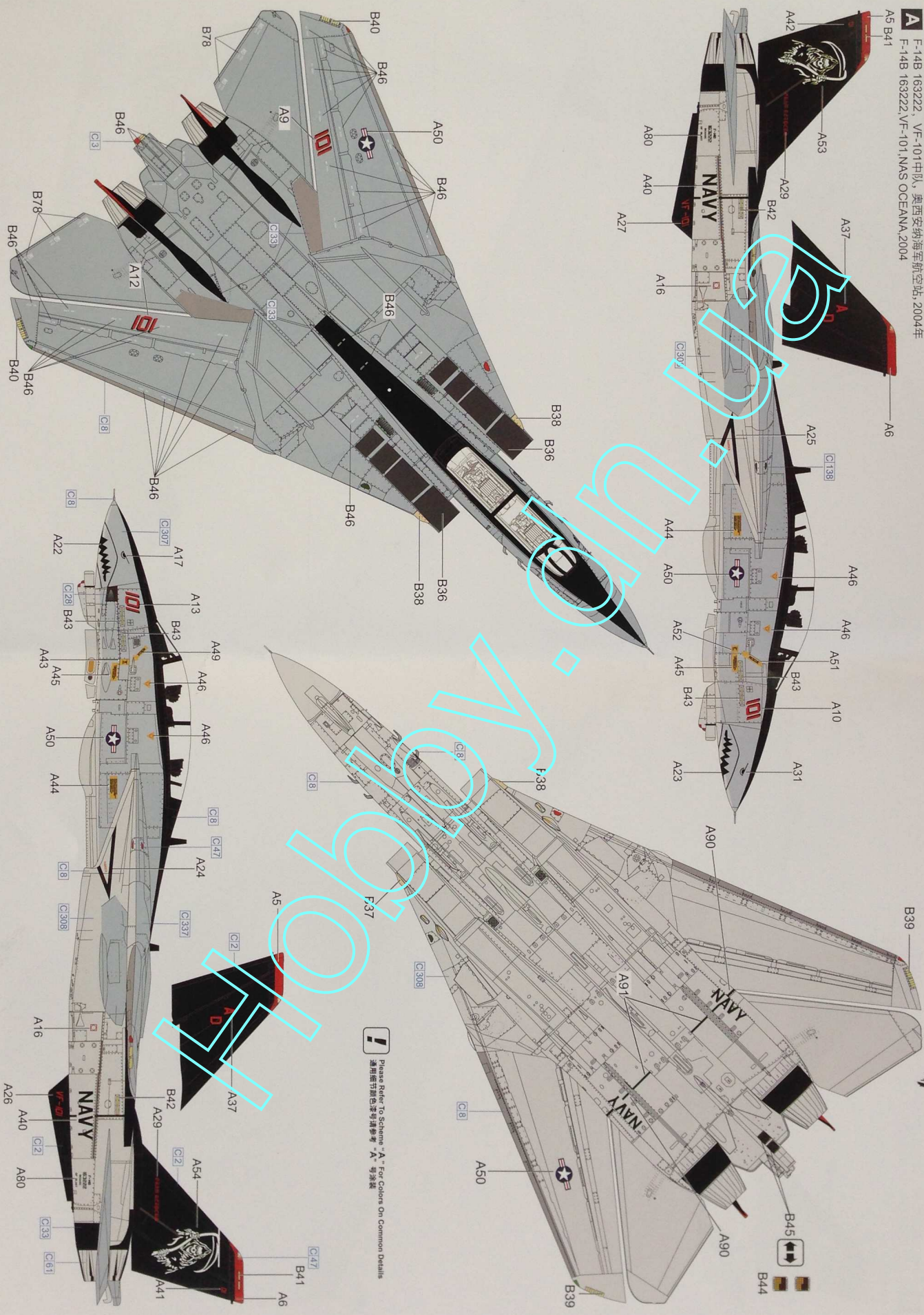
# VF-101 GRIM REAPERS

F-14B LIMITED EDITION  
F-14B VF-101 雄猫战斗机“死神”中队



1/72 SCALE AIRCRAFT

**A** F-14B 163222, VF-101中队, 奥西安纳海军航空站, 2004年  
F-14B 163222, VF-101, NAS OCEANA, 2004



**i** Please Refer To Scheme "A" For Colors On Common Details  
通用颜色请参考“A”号涂装

