

1/35 Scale

ITEM No.:82465



# German Land-Wasser-Schlepper early type

ドイツ LWS トラクター初期型

德国LWS水陆牵引车(早期型)

## PLEASE READ BEFORE OPERATION!

- \* Tools recommended as below: (Not included)  
Adhesives; Paints; Side Cutters; Sharp Edged Pliers; Modeling Knife; Modeling File; Nippers; Drill; Scissors; Sand Paper; Soft Cloth; Cyanoacrylate Glue.
- \* Make sure to read this instruction listed below before assembling.
- \* The kit contains the small parts, they can be dangerous if swallowed by mistake, so keep them away from reach of children.
- \* Cut the all parts off carefully and remove the waste parts into the garbage can.
- \* More caution and care should be needed for cutting and handling the photo etched parts.
- \* Make attention that some parts should be attached the decal when assembled.
- \* During assembling, please tear up and throw away the plastic bags, or may cause the dangerous if wearing over head by children's mistake.
- \* When using the adhesives and paints, please do not use them in the closed room or near the fire, also must be very careful to protect your eyes, face and clothes.
- \* Adult supervised when assembled by children under 14 years old.

## 装配前请仔细阅读:

- \* 推荐的模型工具(请自备):  
专用模型胶水, 专用模型油漆, 水口剪刀, 长咀钳, 刀片, 锉刀, 镊子钳, 钻, 剪刀, 软布, 砂纸, 瞬间快干胶等。
- \* 用水口剪刀或刀片小心切下所有塑胶零件和蚀刻片零件, 不要遗失小零件。
- \* 切取蚀刻片时应特别注意防止利边划伤手指。
- \* 用模型锉刀小心锉平所有零件表面的注射浇口。
- \* 用适量的强力快干胶水粘合蚀刻片零件和金属轴, 切忌过量, 否则可能导致可动零件被粘住。
- \* 注意某些零件表面需在装配时同步贴水上贴纸。
- \* 制作时应远离幼儿并将包装袋及时收妥, 谨防小孩玩耍而引起意外。



cyanoacrylate glue  
强力胶



weight  
配重



make hole  
钻孔



cut / remove  
切除



option  
选择



no cement  
不涂胶水



decal  
贴纸



bend  
弯曲



repair  
填补

## The method to apply the decals

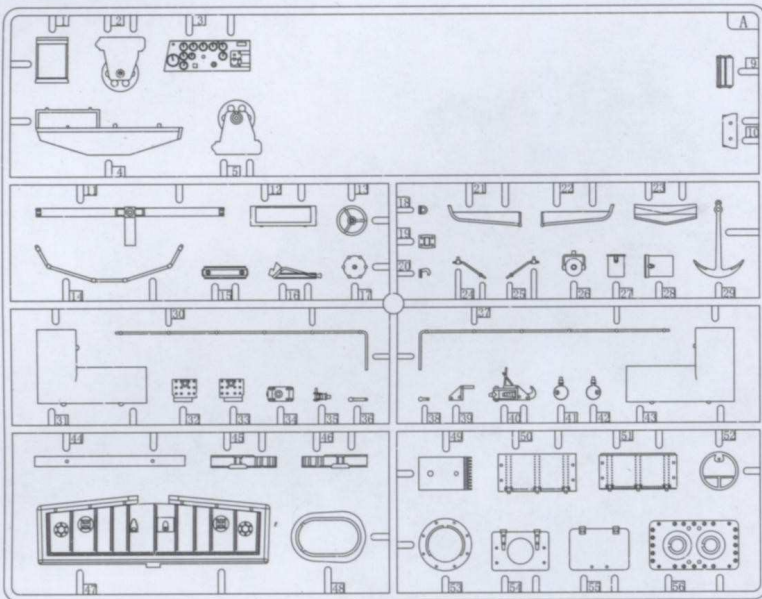
1. Cut off the decal from the decal paper and put it into the warm water 40°C for 10 seconds.
2. Take the decal from the water and put it on a piece of clean cloth.
3. Remove the decal slowly from the paper to the targeted location by a wet finger.
4. Use a piece of dry and soft cloth to press it gently on the decal until it getting dry and no bubble existing.

## 水贴纸的使用方法:

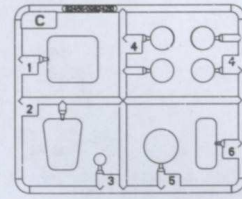
- 一. 把相关的印花从水贴上剪下, 放入40°C左右的温水中浸10秒。
- 二. 然后将印花放在干净的布上。
- 三. 拿上印花纸板, 手指蘸水将印花移到适当的位置。
- 四. 用软干布轻压印花直至水干, 气泡消失。

# 部品图 Parts

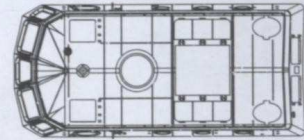
A



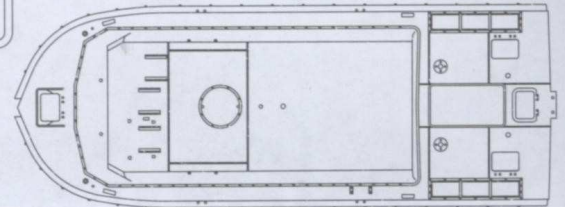
CX2



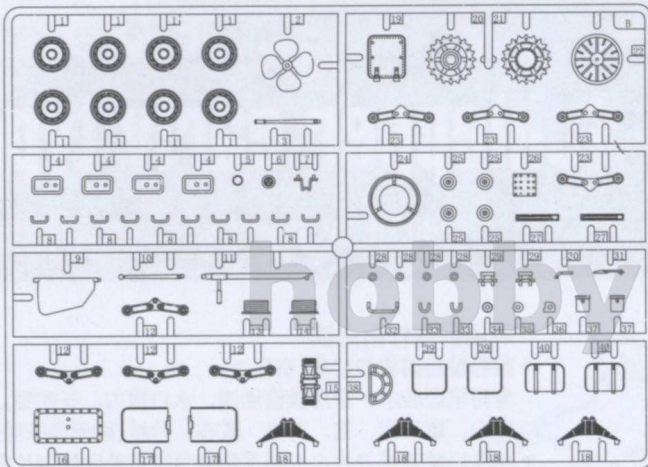
车面  
Upper hull



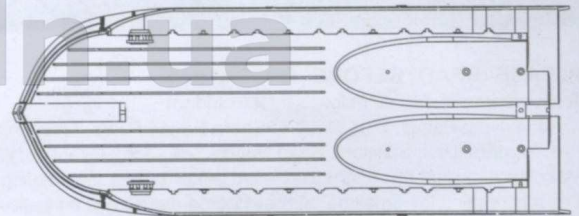
甲板  
Board



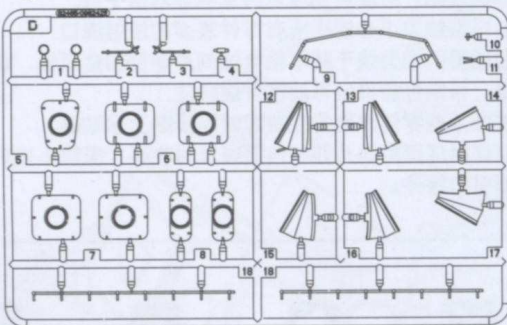
B × 2



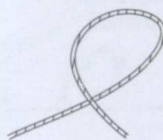
车底  
Lower hull



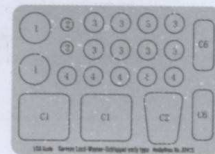
D



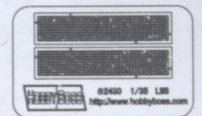
棉绳  $\varnothing 0.8 \times 1000\text{mm}$   
Cotton rope



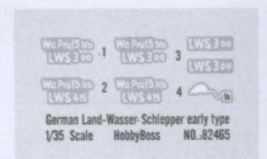
遮盖纸  
Die-cut mast



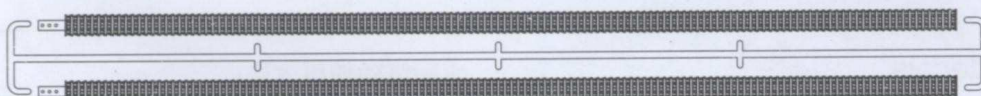
蚀刻片  
PE



水贴纸  
Decal



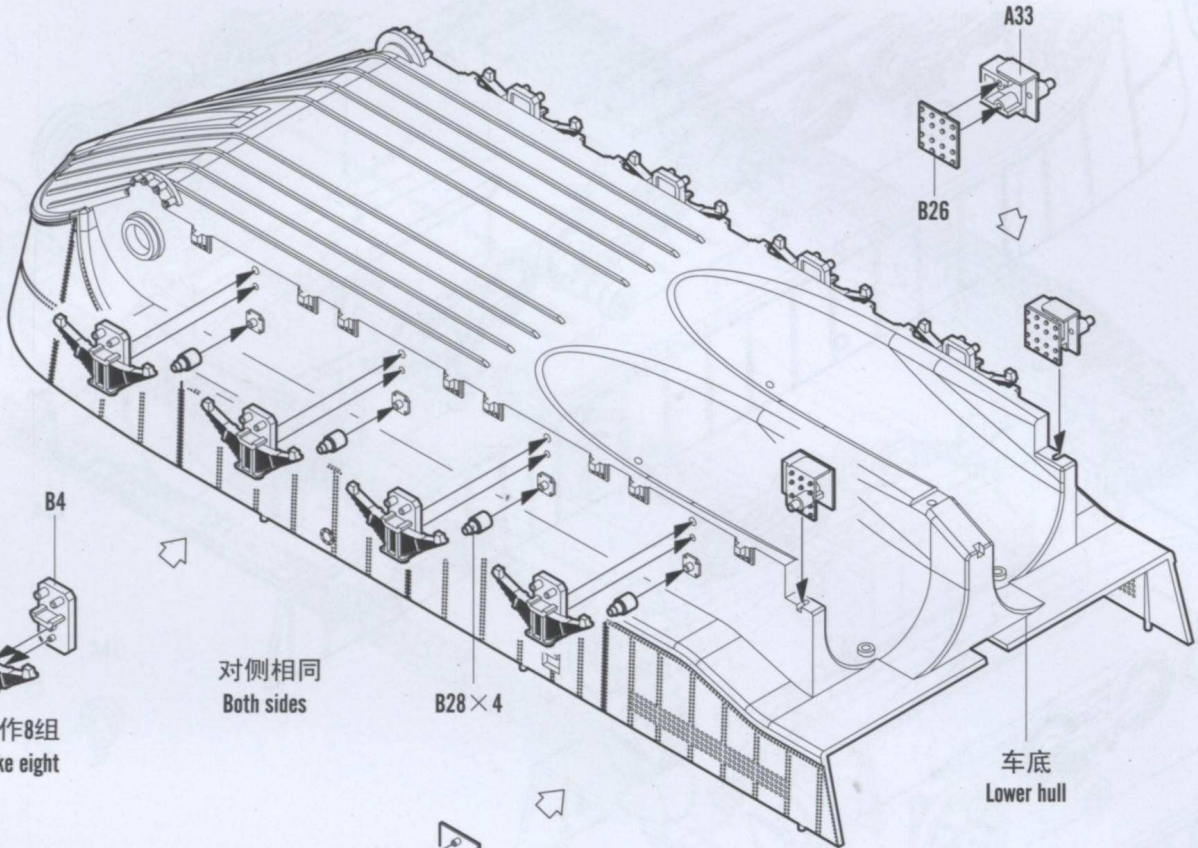
履带  
Track



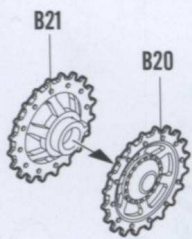
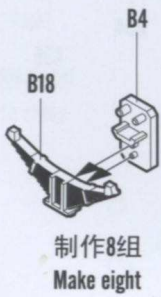
不用部品: A11 A14 A21 A23 A24 A25 A26 A27 A30 A37 A48 A52 A54 B5 B31 B37

Unused parts:

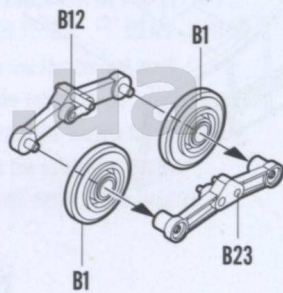
**1**  
STEP



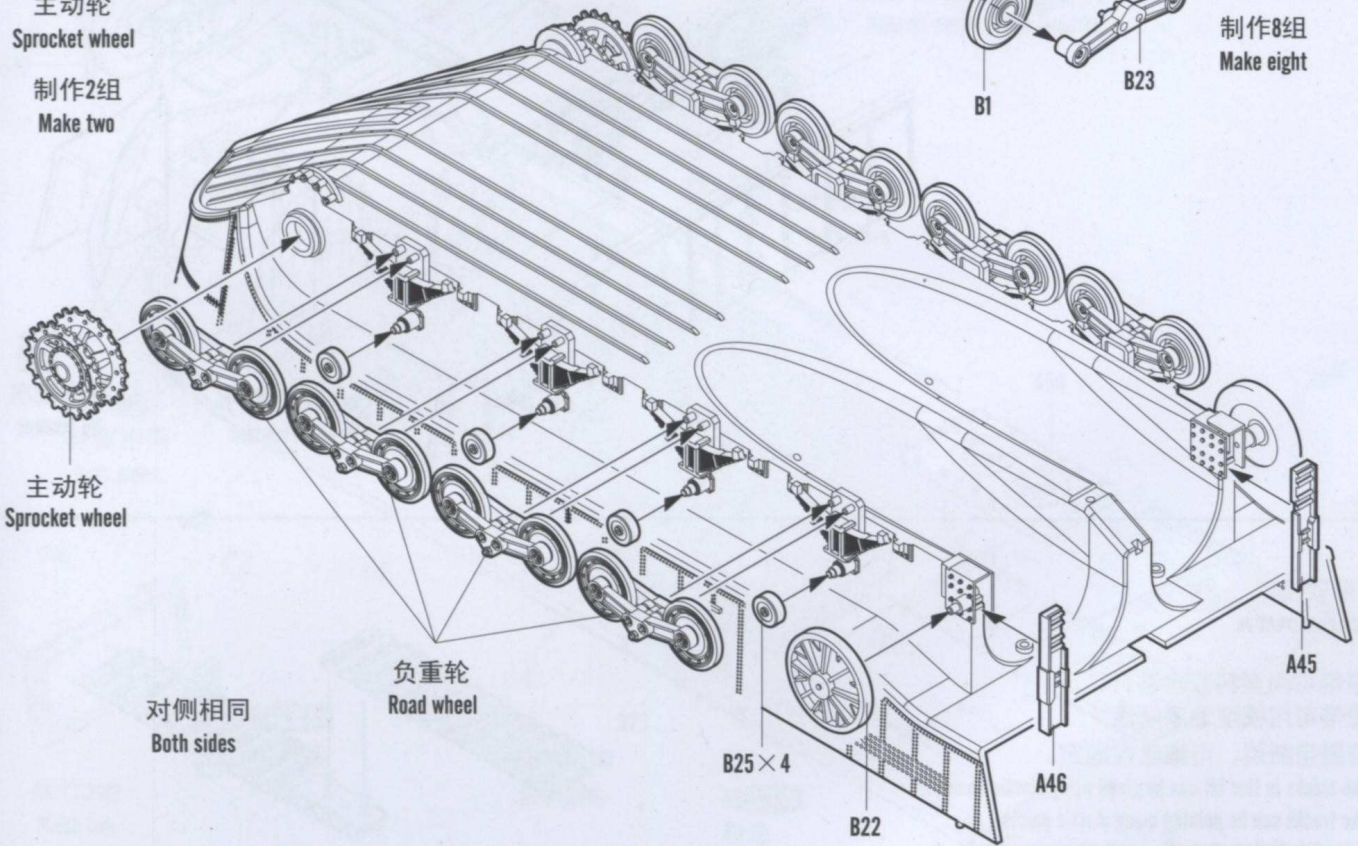
对侧相同  
Both sides



主动轮  
Sprocket wheel  
制作2组  
Make two



负重轮  
Road wheel  
制作8组  
Make eight



对侧相同  
Both sides

负重轮  
Road wheel

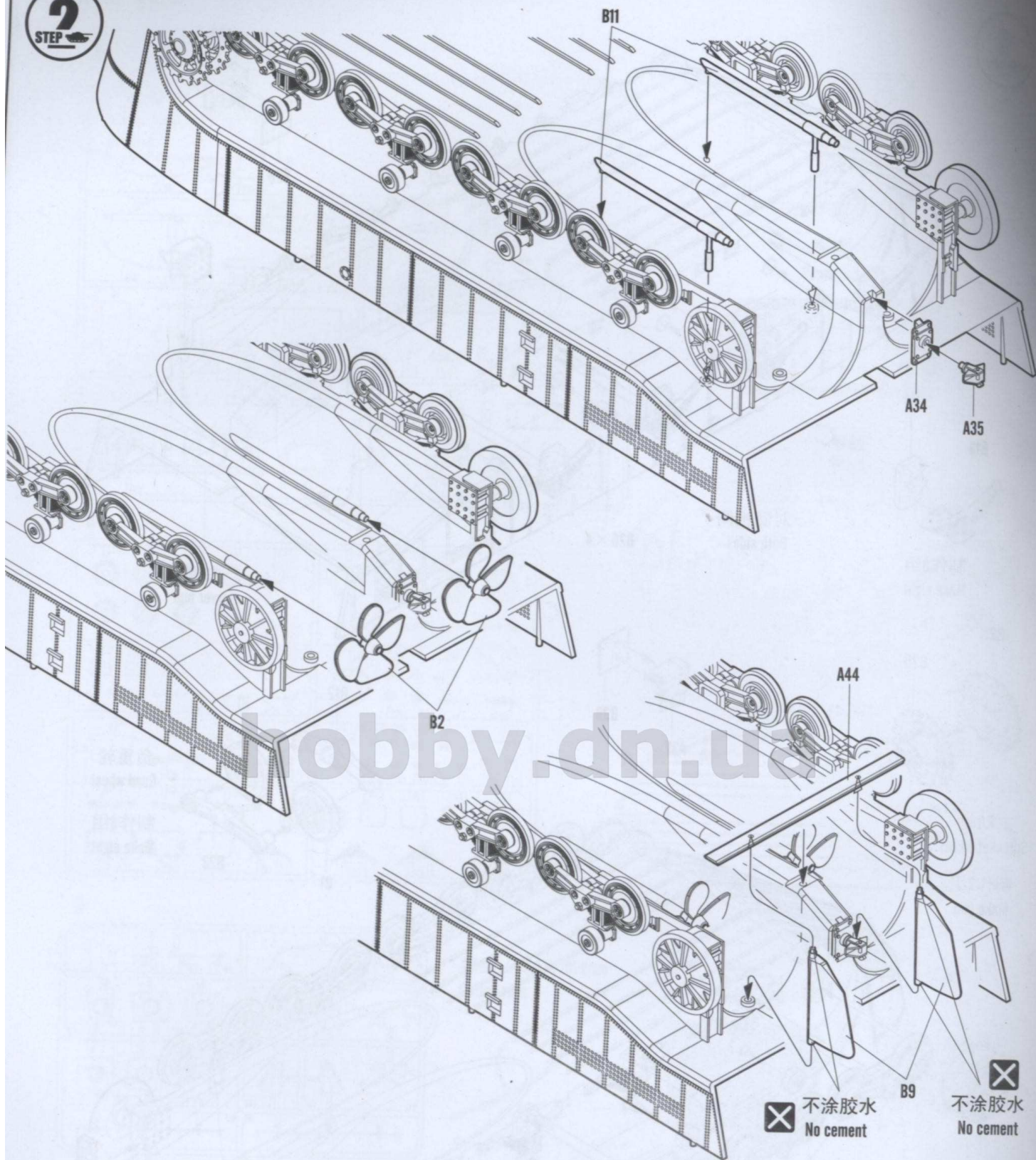
B25 × 4

B22

A46

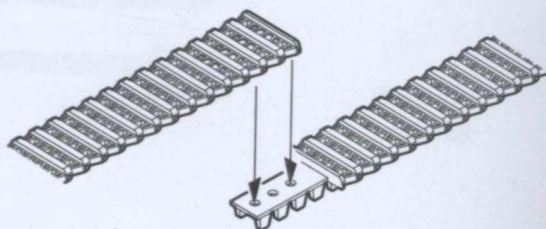
A45

**2**  
STEP

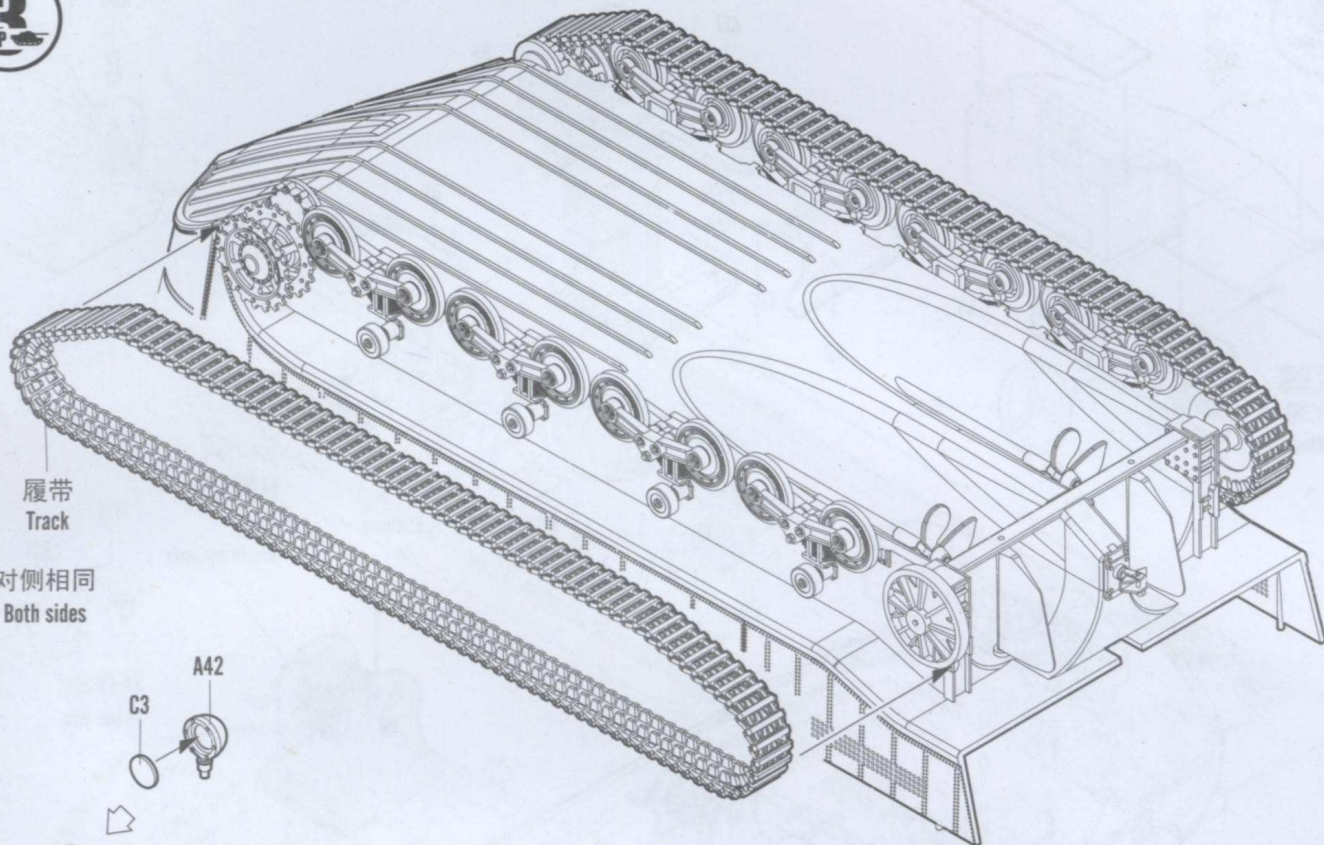


**履带联接**  
Track construction

- \* 履带可用塑料胶水粘合。
- \* 履带可用模型油漆喷涂。
- \* 若履带断裂，用细丝线固定。
- \* The tracks in this kit can be glued using plastic cement.
- \* The tracks can be painted using plastic paints.
- \* If track is broken strengthen with staples or thread.



**3**  
STEP



履带  
Track

对侧相同  
Both sides



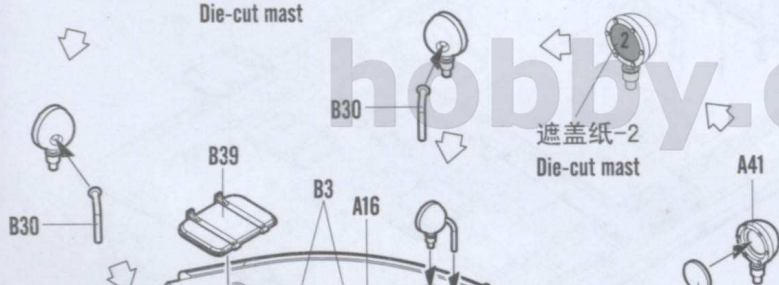
遮盖纸-2  
Die-cut mast

遮盖纸使用方法:

- 1.把遮盖纸按窗口大小贴上, 再进行着色。
- 2.着色完成, 干透后, 用镊子去掉遮盖纸。

How to use the die-cut mask:

- 1.The die-cut mask (or sticker) used for accurate the window frame painting.
- 2.Once the painting is dry. Peel off easily with a tweezer.



遮盖纸-2  
Die-cut mast

对侧相同  
Both sides

B29  
对侧相同  
Both sides

A56

B16

B33

B10

B33

B29

制作2组  
Make two

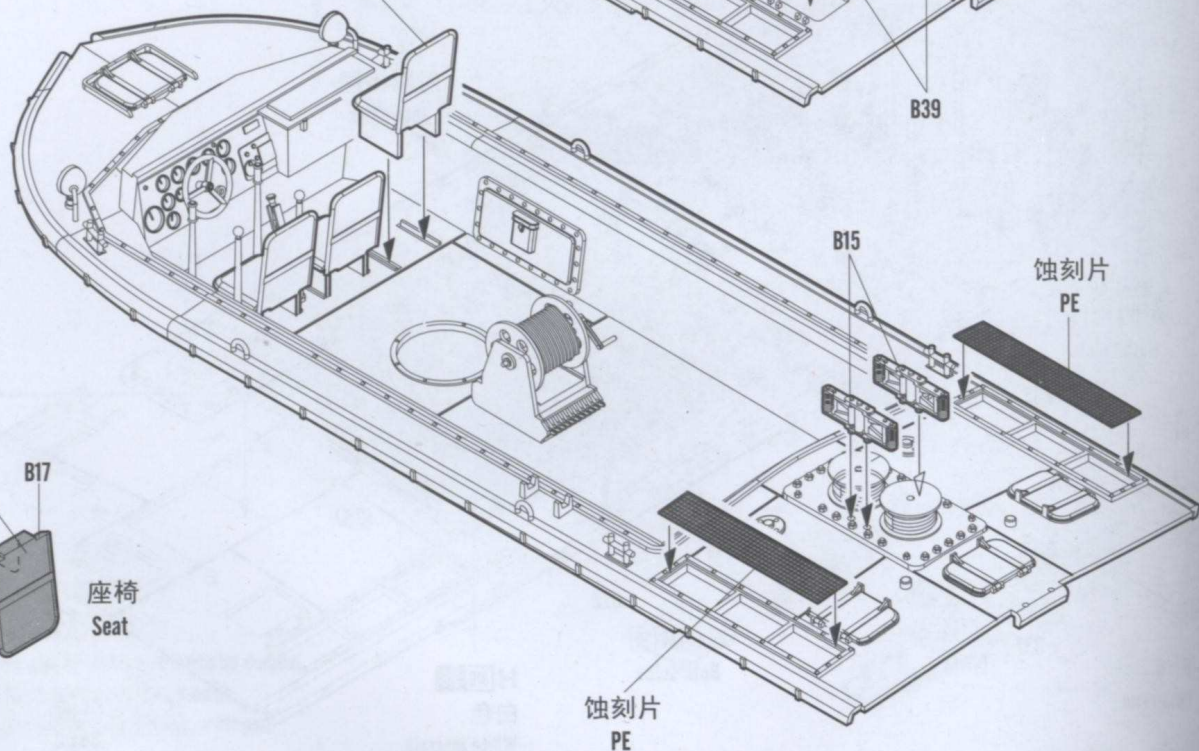
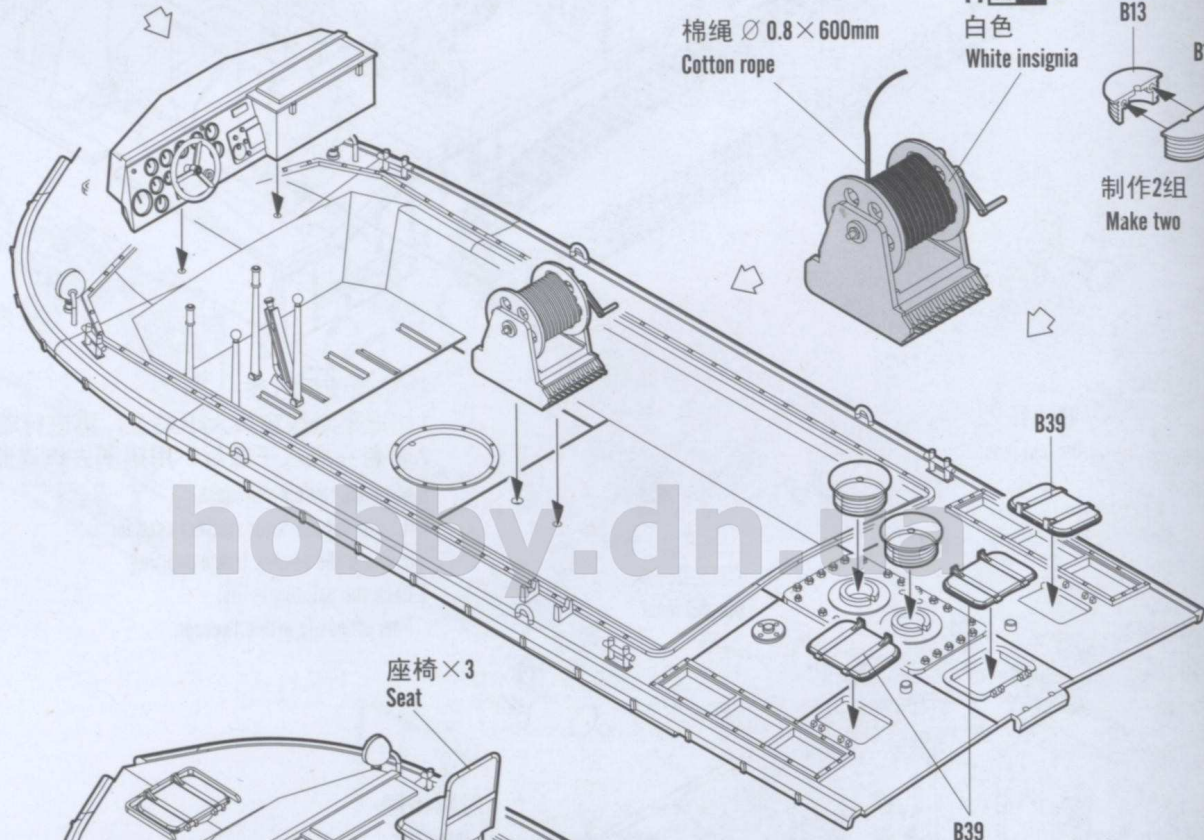
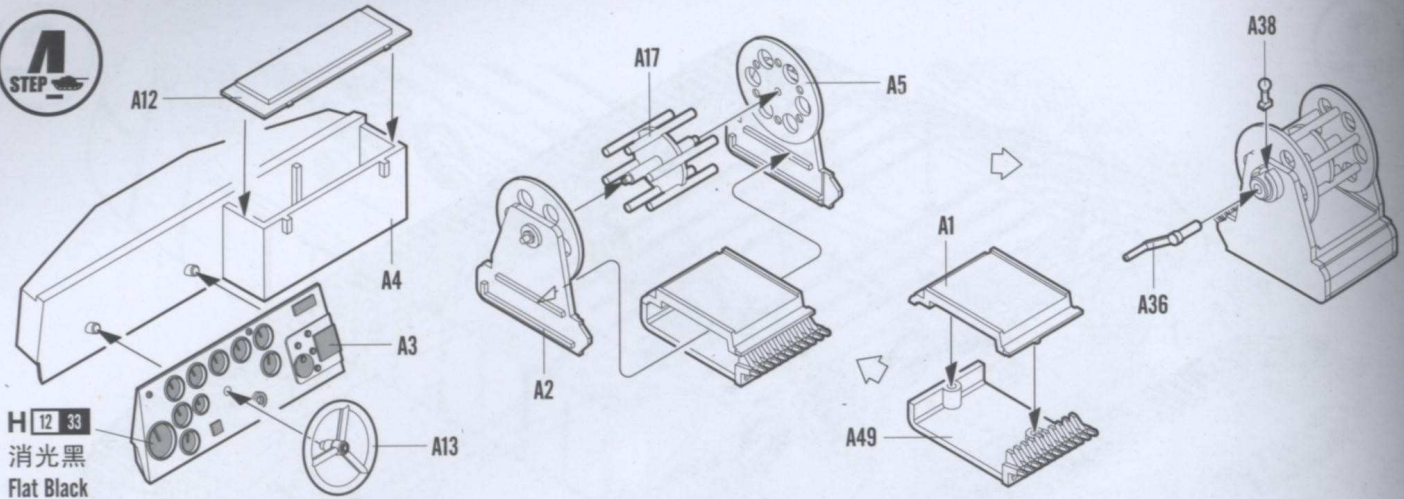
B37

H 81 55  
卡其色  
Khaki

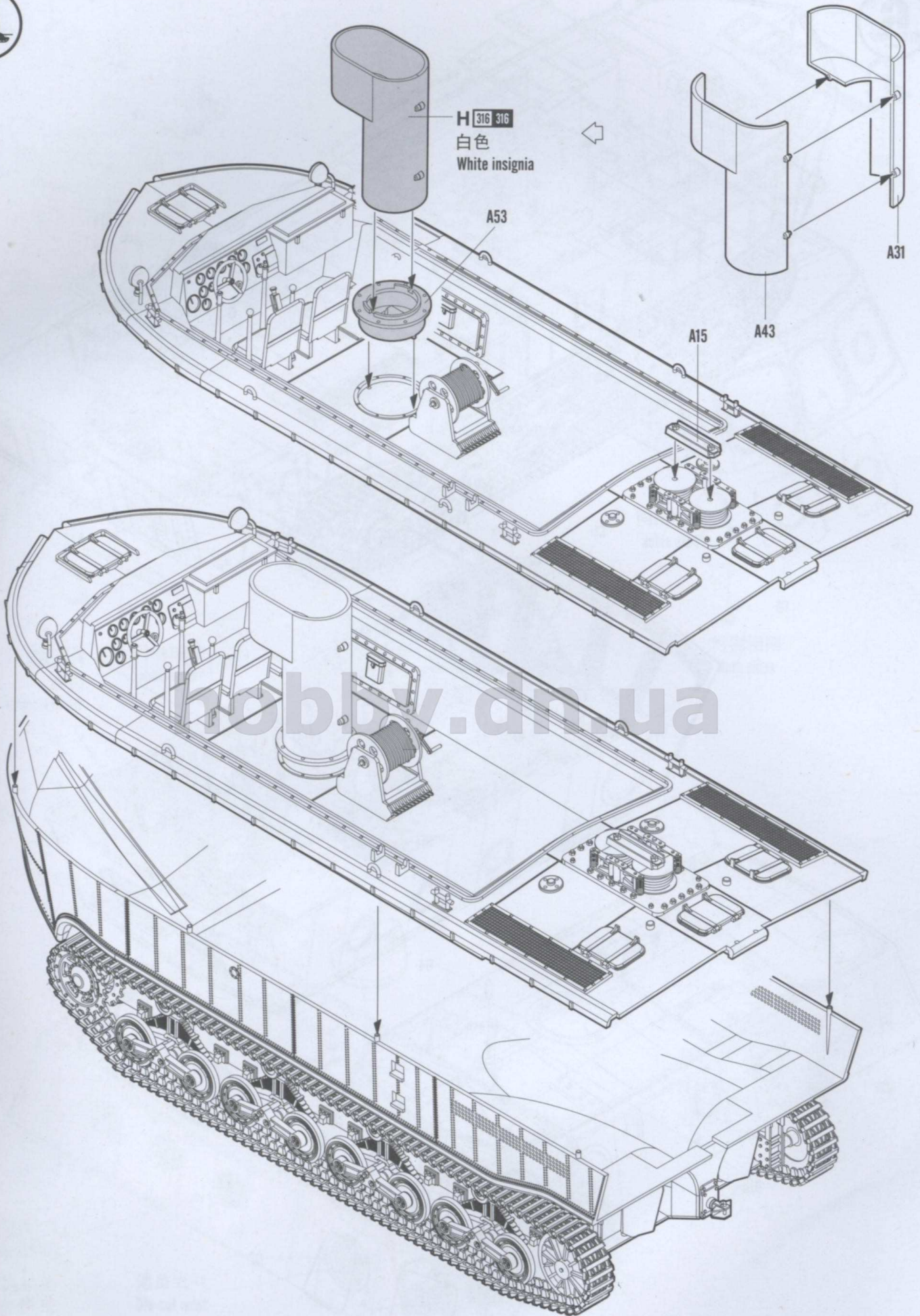
对侧相同  
Both sides

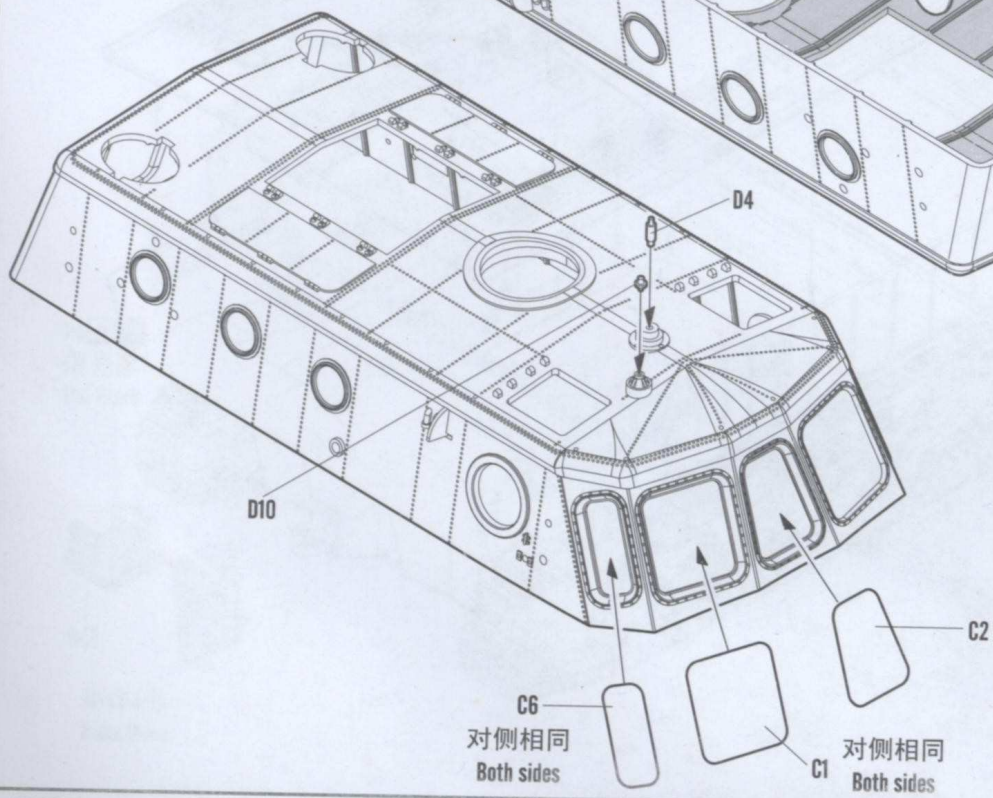
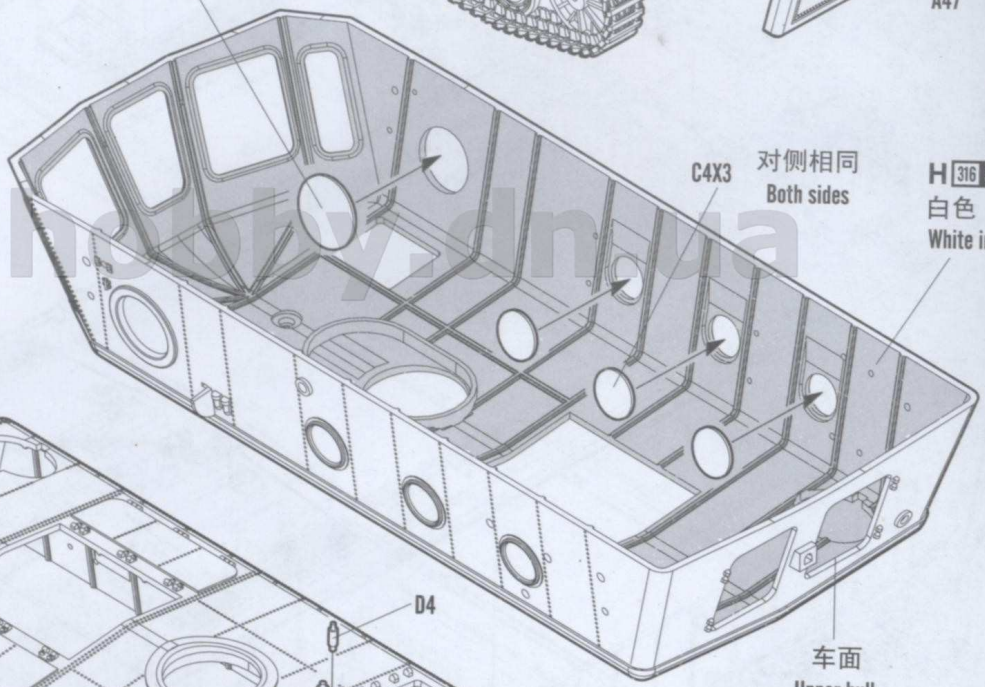
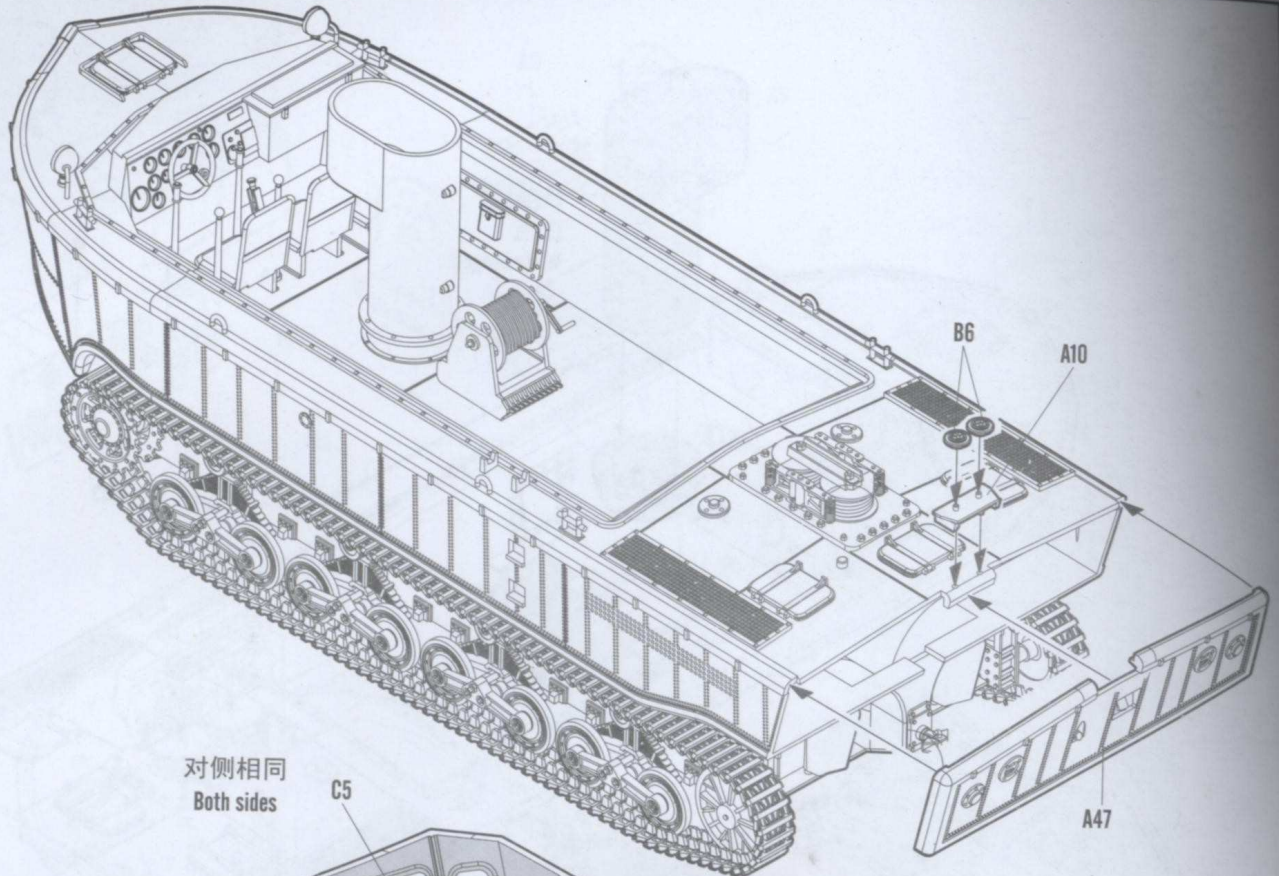
H 316 316  
白色  
White insignia

甲板  
Board



5  
STEP

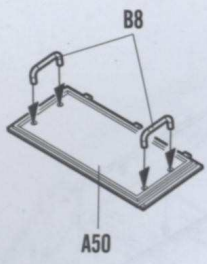




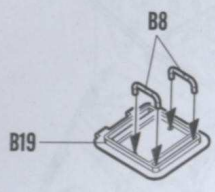
车面  
Upper hull



**7**  
STEP

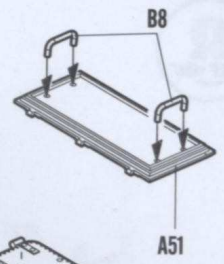


A50

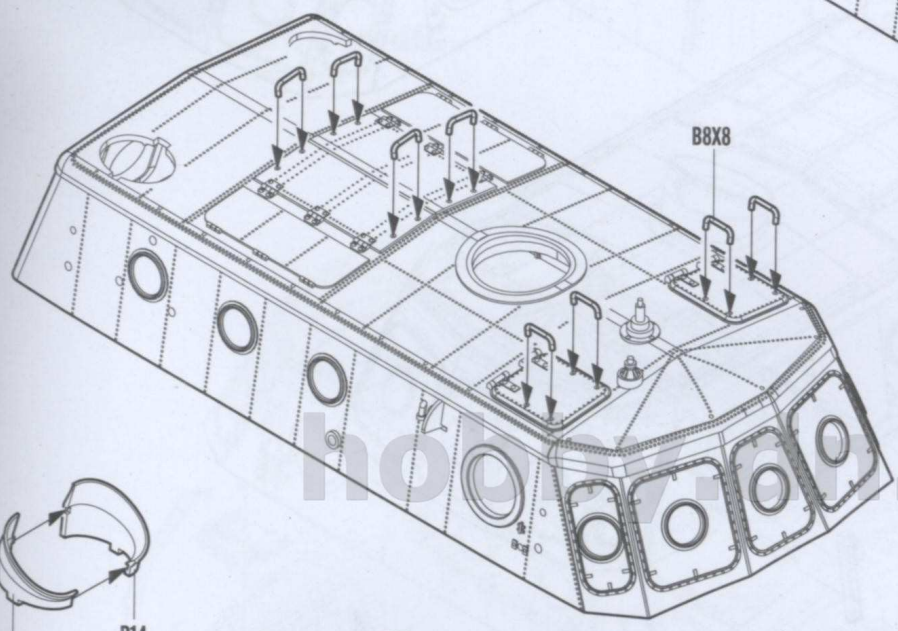
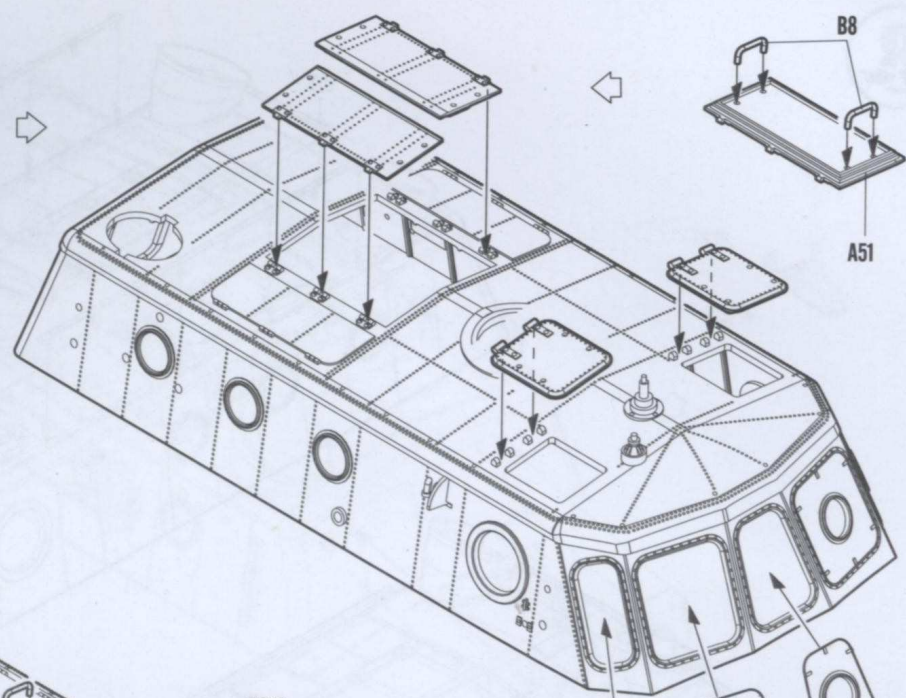


B19

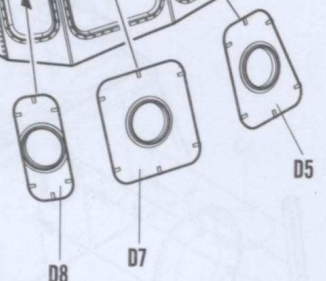
制作2组  
Make two



A51



B8X8

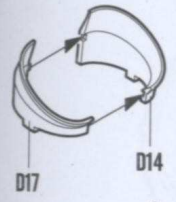


D8

D7

D5

对侧相同  
Both sides



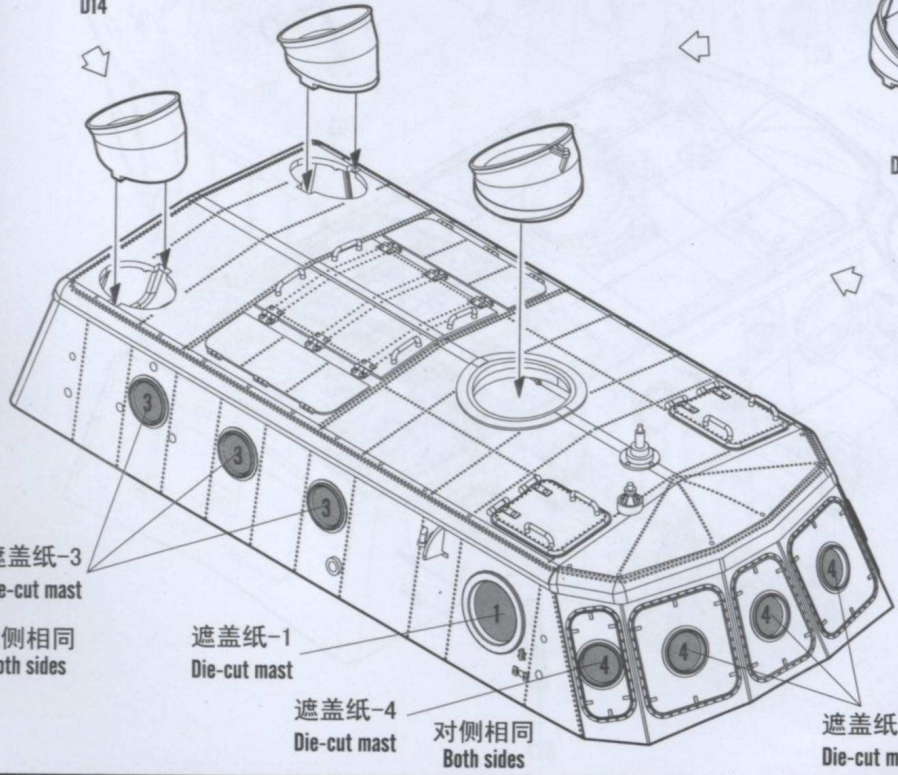
D17

D14



D15

D16



遮盖纸-3  
Die-cut mast

对侧相同  
Both sides

遮盖纸-1  
Die-cut mast

遮盖纸-4  
Die-cut mast

对侧相同  
Both sides

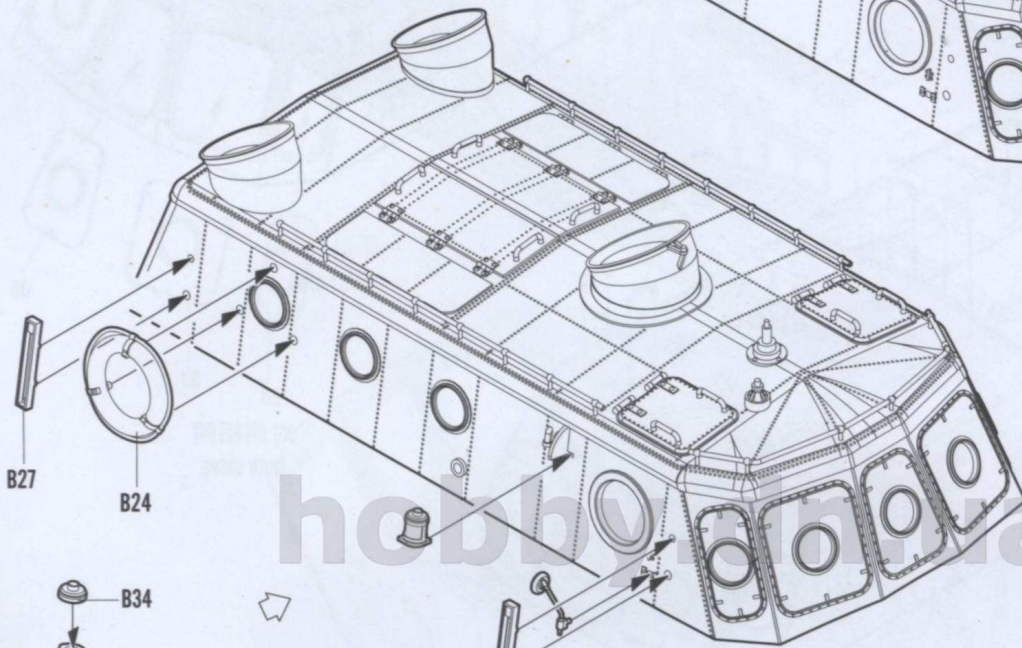
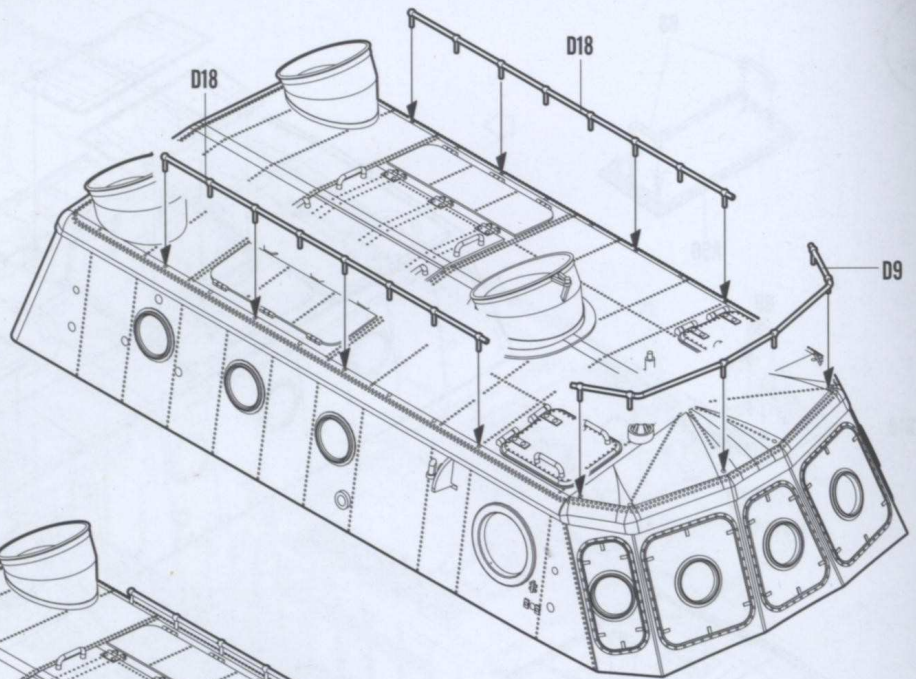
遮盖纸-4  
Die-cut mast



D11

D12

D13



B27

B24

B34

B35

B36

B27

D3

D1



D2

D1

B34

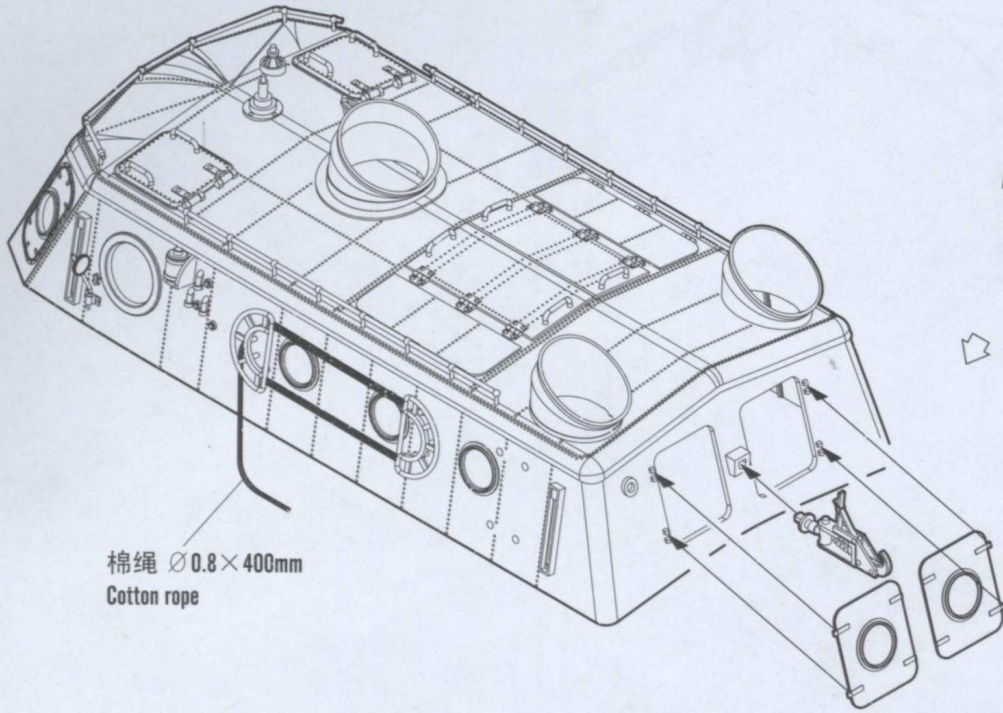
B35

B36

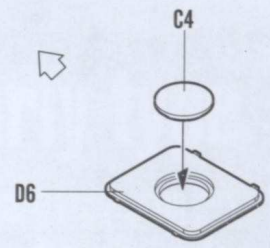
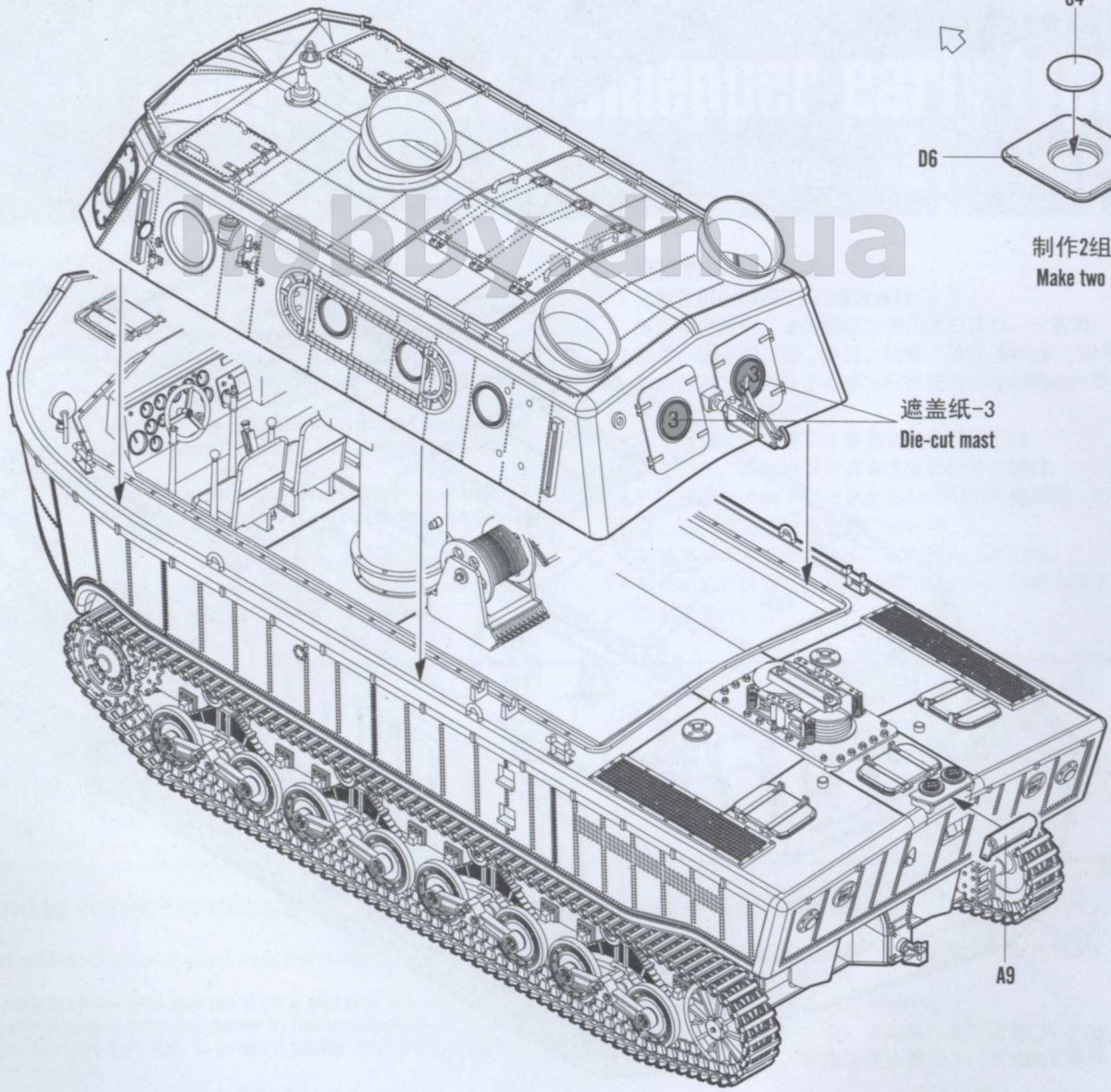
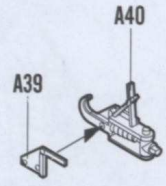
B27

B38

B27



棉绳  $\varnothing 0.8 \times 400\text{mm}$   
Cotton rope

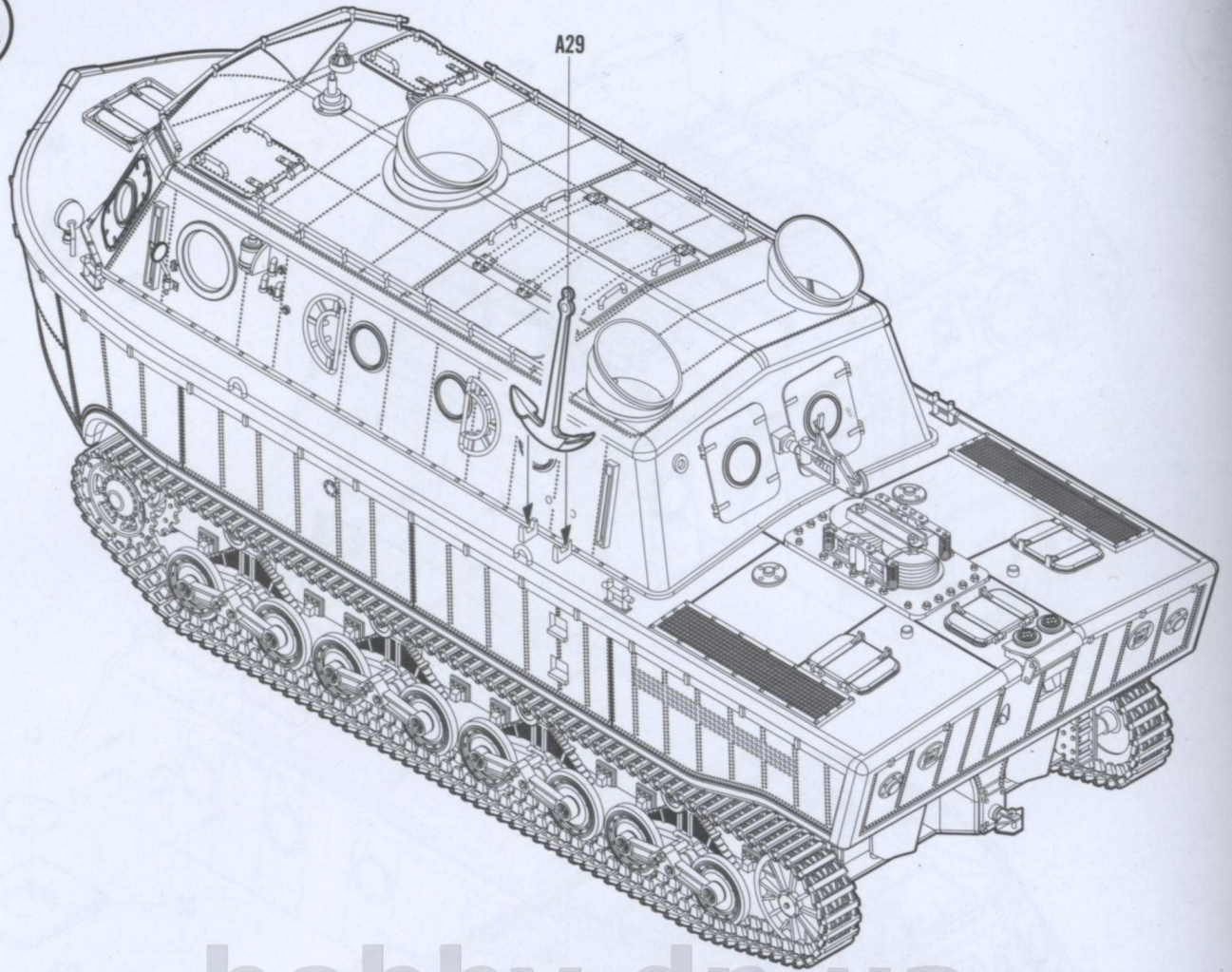


制作2组  
Make two

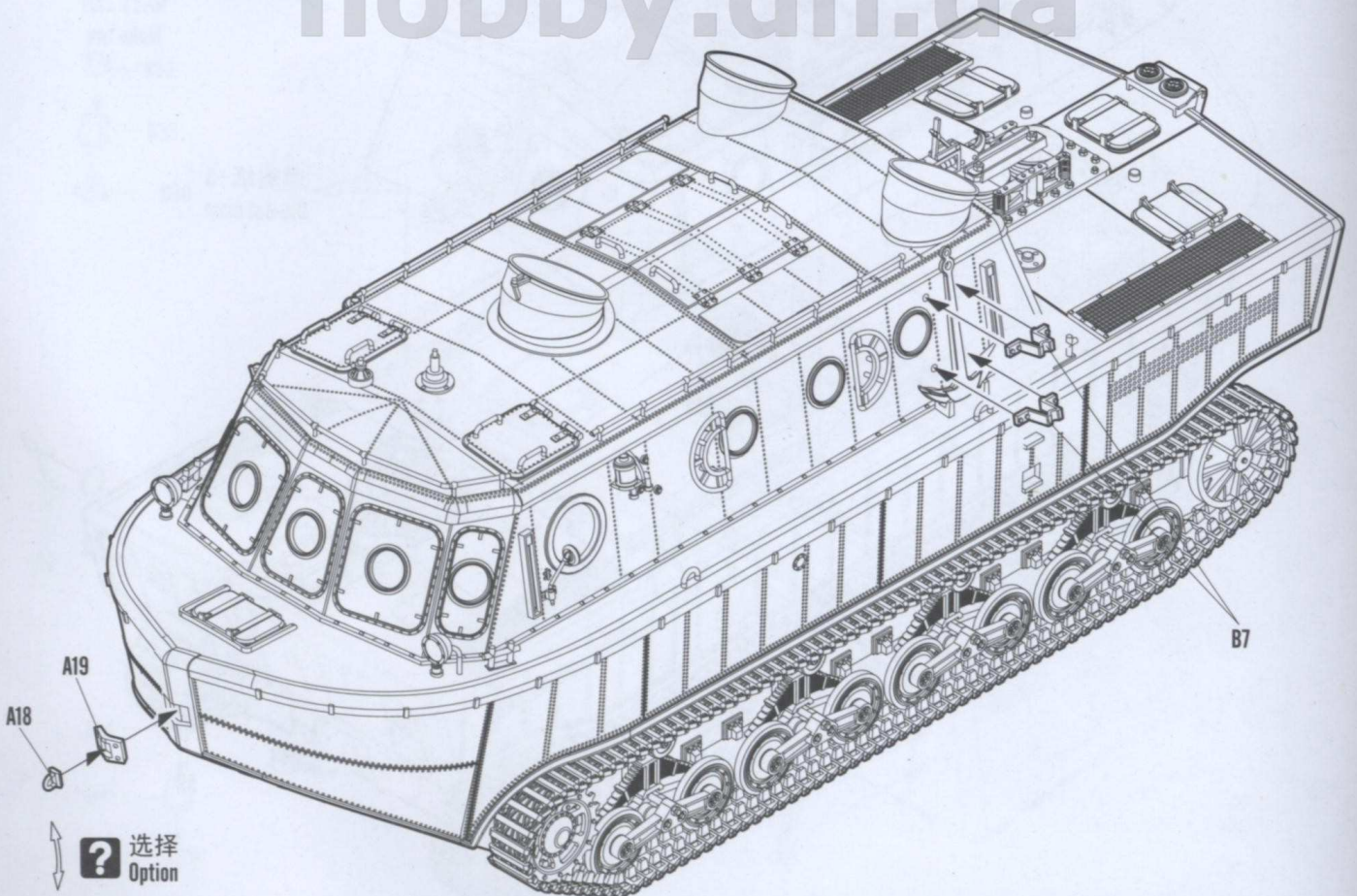
遮盖纸-3  
Die-cut mast

A9

10  
STEP



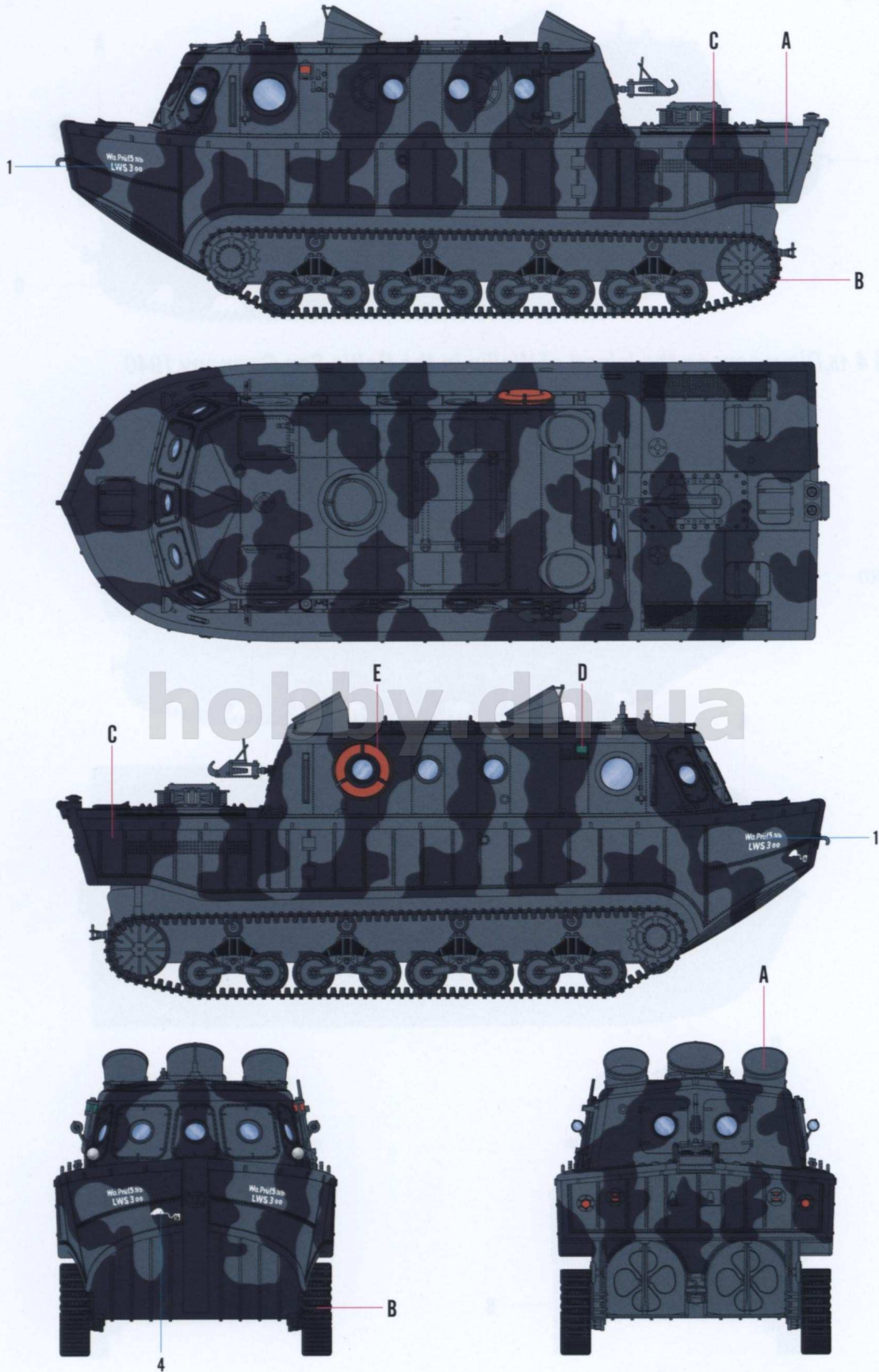
hobby.dn.ua



选择  
Option

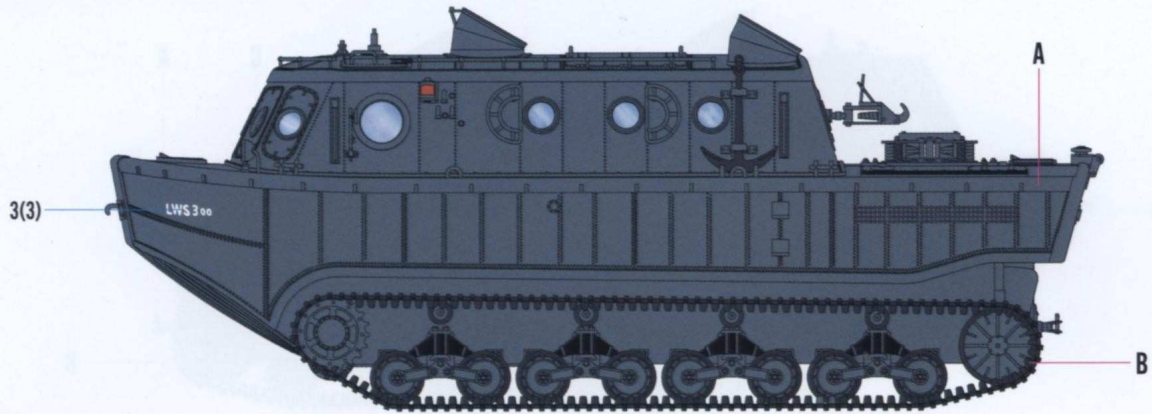
A20

## I LWS 3 00,3./Pz.Abt.100

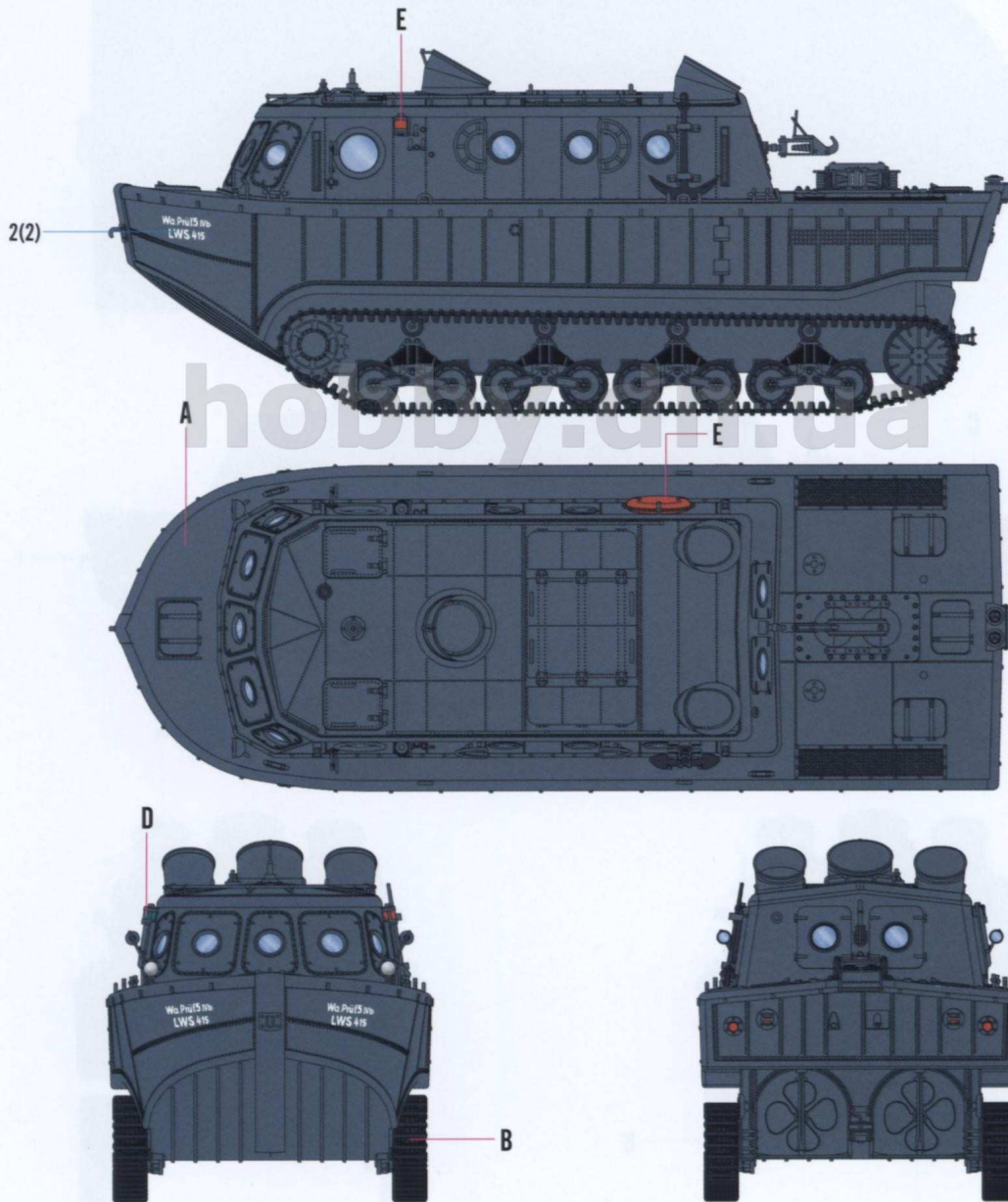


	Color	Mr.Hobby	Vallejo	Model Master	Tamiya	Humbrol
A	德国灰 Field Green	H 32 40	830	--	XF22	111
B	黑铁色 Steel	H 18 28	864	1402	--	--
C	深海灰 Dark Seagray	H 333 333	994	--	XF50	123

II LWS 3 00, Pi.Ldgs.Kp.777, Riga, Soviet Union, 10.09.1941



III LWS 4 15, Dievenow on the island of Wollin in the Baltic Sea, Germany, 1940



	Color	Mr.Hobby	Vallejo	Model Master	Tamiya	Humbrol
D	绿色 Green	H 6 6	969	2716	X5	3
E	红色 Red	H 3 3	908	1503	X7	19