

Befehlsfahrzeug auf Fgst. Pz.Kpfw.35 R 731(f)

フランス 軽戦車水ノールR35

德国Pz.Kpfw.35 R 731(f)指挥车

PLEASE READ BEFORE OPERATION!

- * Tools recommended as below: (Not included)
Adhesives; Paints; Side Cutters; Sharp Edged Pliers; Modeling Knife; Modeling File; Nippers; Drill; Scissors; Sand Paper; Soft Cloth; Cyanoacrylate Glue.
- * Make sure to read this instruction listed below before assembling.
- * The kit contains the small parts, they can be dangerous if swallowed by mistake, so keep them away from reach of children.
- * Cut the all parts off carefully and remove the waste parts into the garbage can.
- * More caution and care should be needed for cutting and handling the photo etched parts.
- * Make attention that some parts should be attached the decal when assembled.
- * During assembling, please tear up and throw away the plastic bags, or may cause the dangerous if wearing over head by children's mistake.
- * When using the adhesives and paints, please do not use them in the closed room or near the fire, also must be very careful to protect your eyes, face and clothes.
- * Adult supervised when assembled by children under 14 years old.

装配前请仔细阅读:

- * 推荐使用的模型工具(请自备):
专用模型胶水, 专用模型油漆, 水口剪刀, 长咀钳, 刀片, 锉刀, 镊子钳, 钻, 剪刀, 软布, 砂纸, 瞬间快干胶等。
- * 用水口剪刀或刀片小心切下所有塑胶零件和蚀刻片零件, 不要遗失小零件。
- * 切取蚀刻片时应特别注意防止利边划伤手指。
- * 用模型锉刀小心锉平所有零件表面的注射浇口。
- * 用适量的强力快干胶水粘合蚀刻片零件和金属轴, 切忌过量, 否则可能导致可动零件被粘住。
- * 注意某些零件表面需在装配时同步贴上水贴纸。
- * 制作时应远离幼儿并将包装袋及时收妥, 谨防小孩玩耍而引起意外。



cyanoacrylate glue
强力胶



weight
配重



make hole
钻孔



cut / remove
切除



option
选择



no cement
不涂胶水



decal
贴纸



bend
弯曲



repair
填补

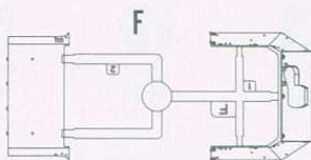
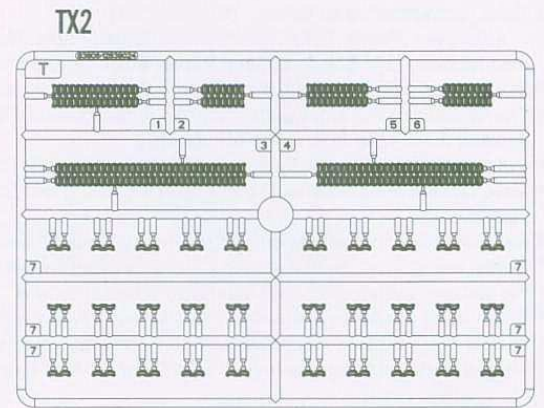
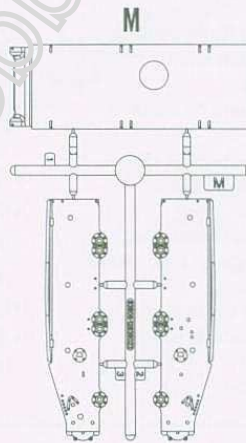
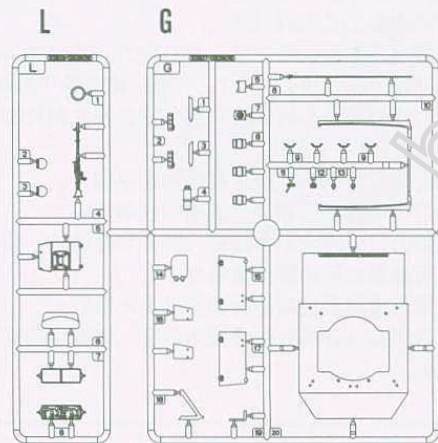
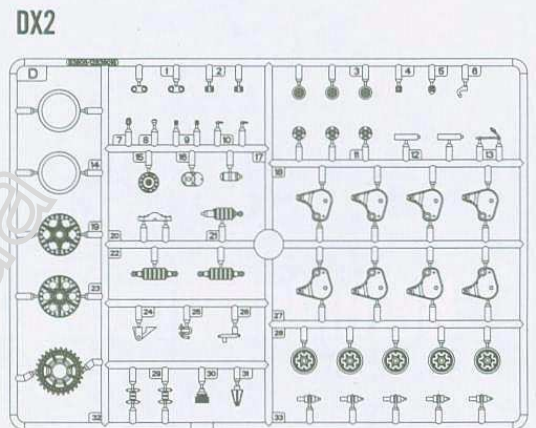
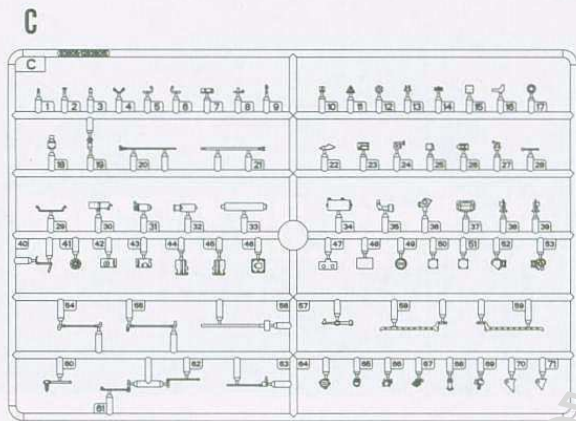
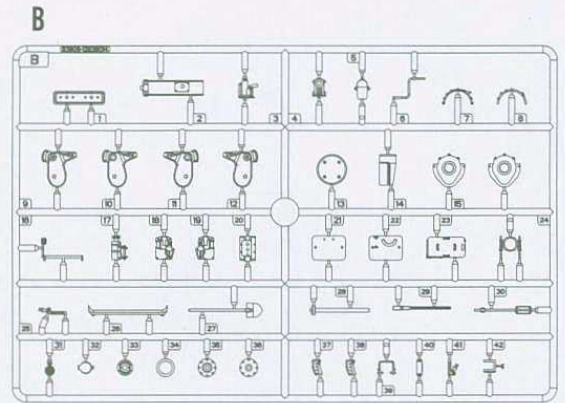
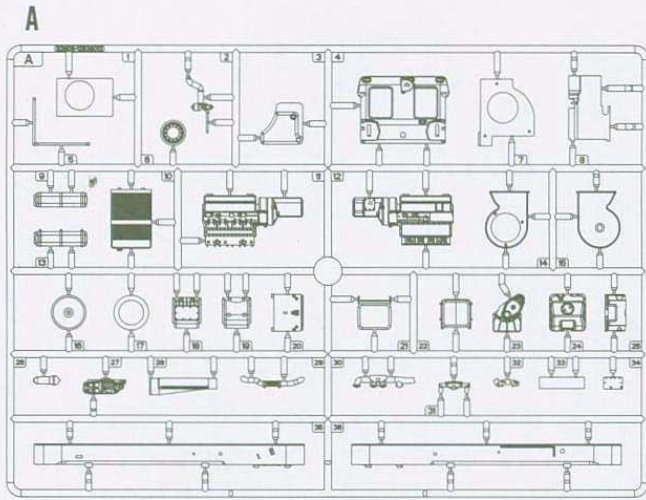
The method to apply the decals

1. Cut off the decal from the decal paper and put it into the warm water 40°C for 10 seconds.
2. Take the decal from the water and put it on a piece of clean cloth.
3. Remove the decal slowly from the paper to the targeted location by a wet finger.
4. Use a piece of dry and soft cloth to press it gently on the decal until it getting dry and no bubble existing.

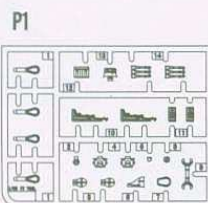
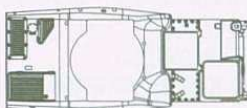
水贴纸的使用方法:

- 一. 把相关的印花从水贴上剪下, 放入40°C左右的温水中浸10秒。
- 二. 然后将印花放在干净的布上。
- 三. 拿上印花纸, 手指蘸水将印花移到适当的位置。
- 四. 用软干布轻压印花直至水干, 气泡消失。

部品图
Parts



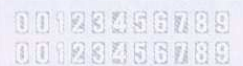
车面
Upper hull



蚀刻片
PE



水贴
Decal

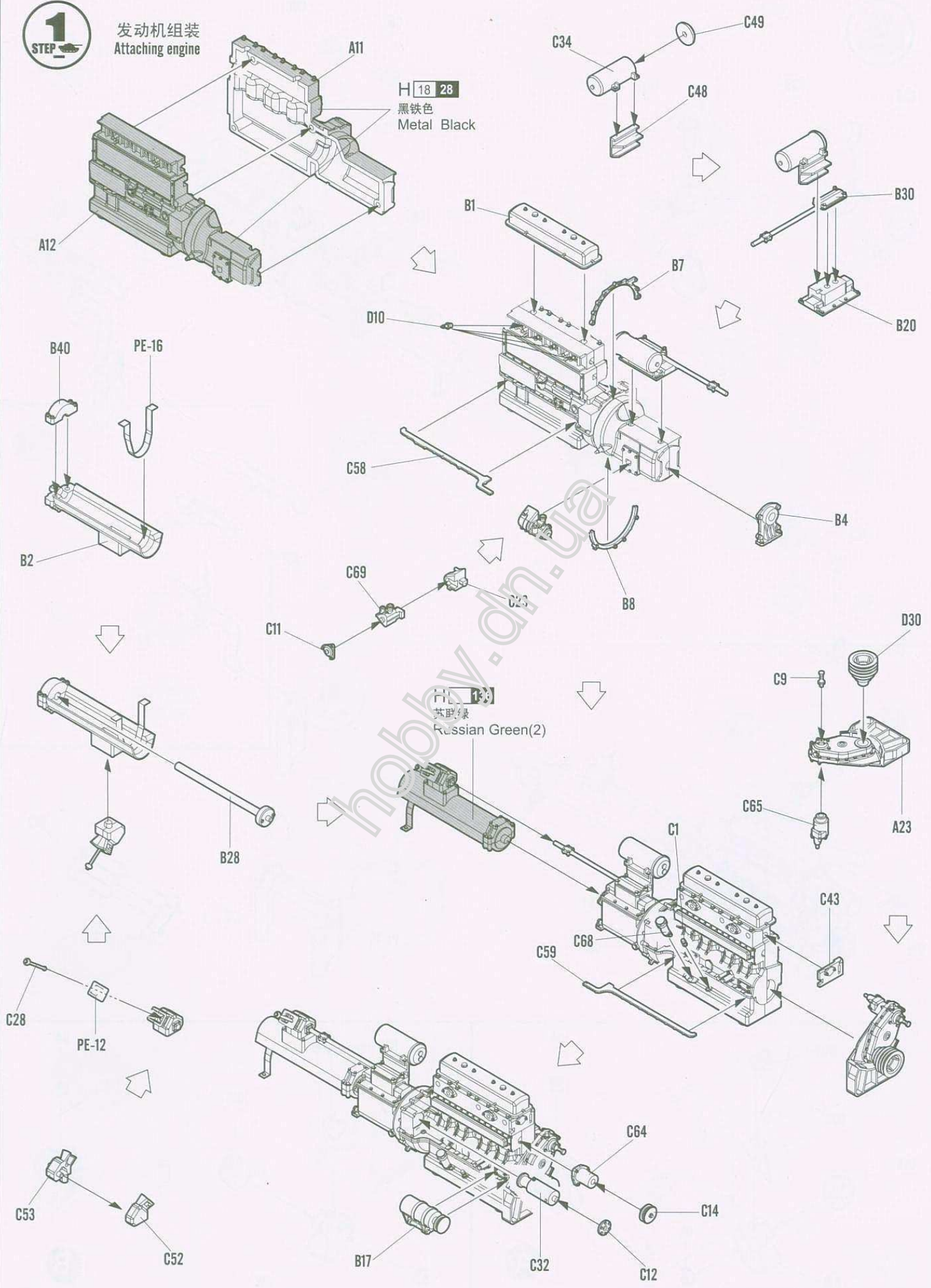


1
STEP

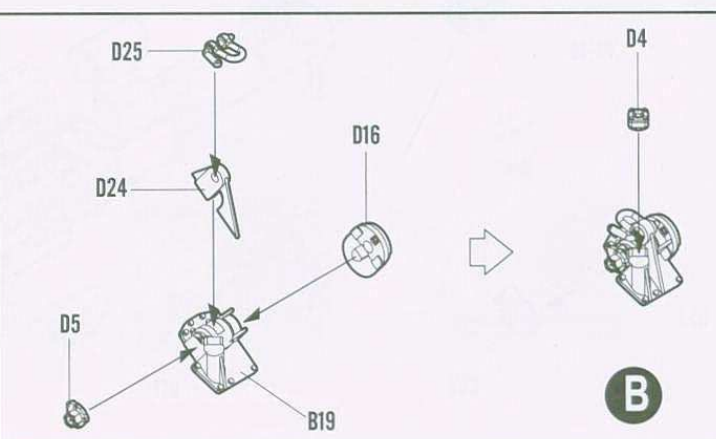
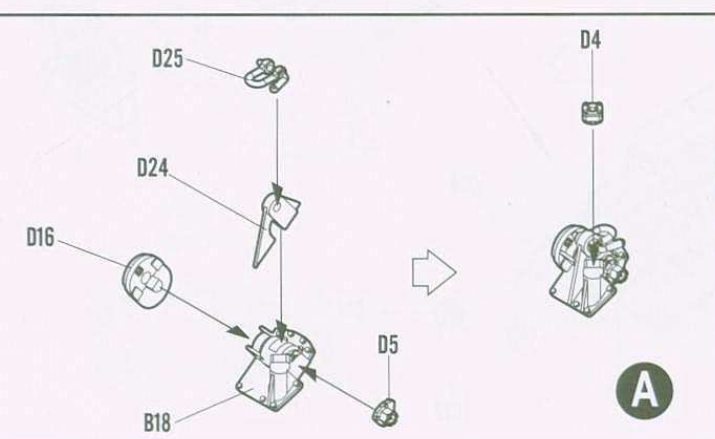
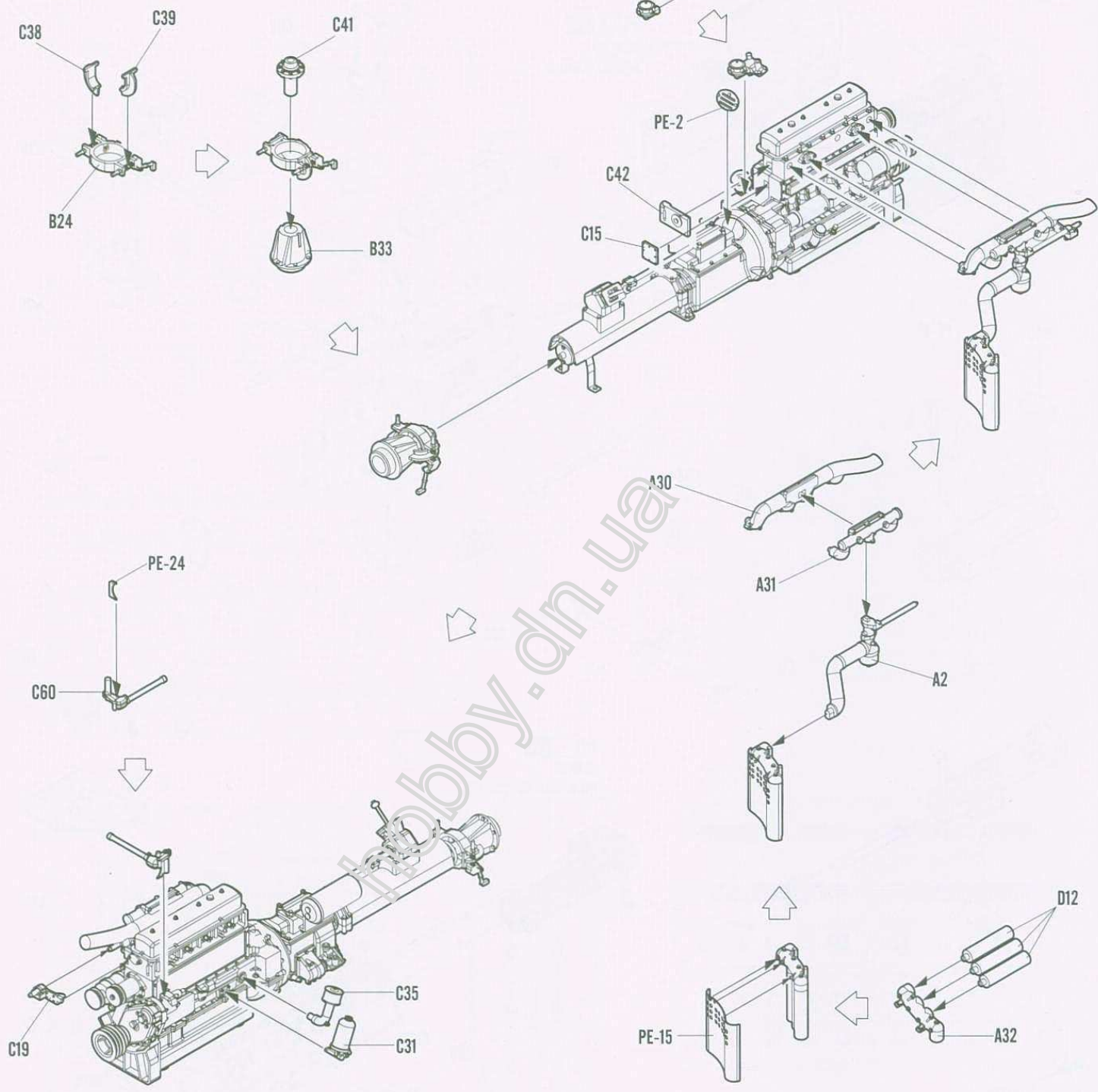
发动机组装
Attaching engine

H 18 28
黑铁色
Metal Black

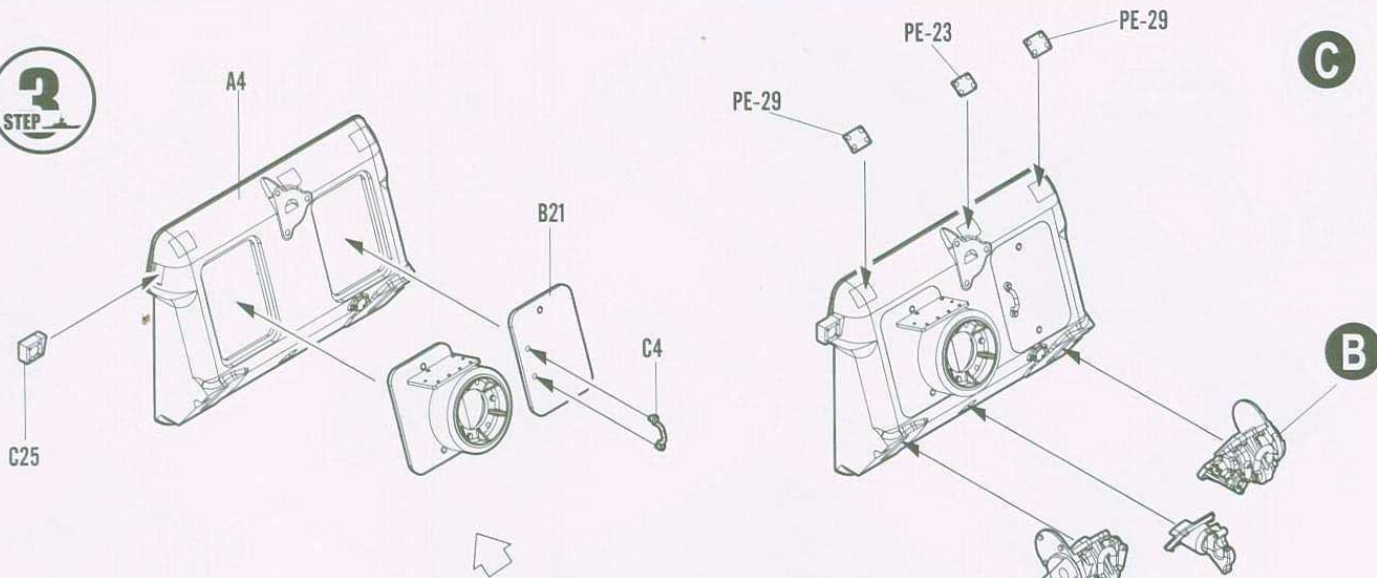
H 13
苏联绿
Russian Green(2)



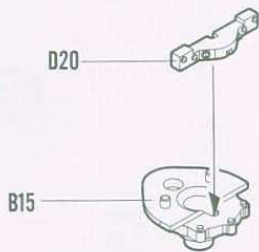
2
STEP



2
STEP

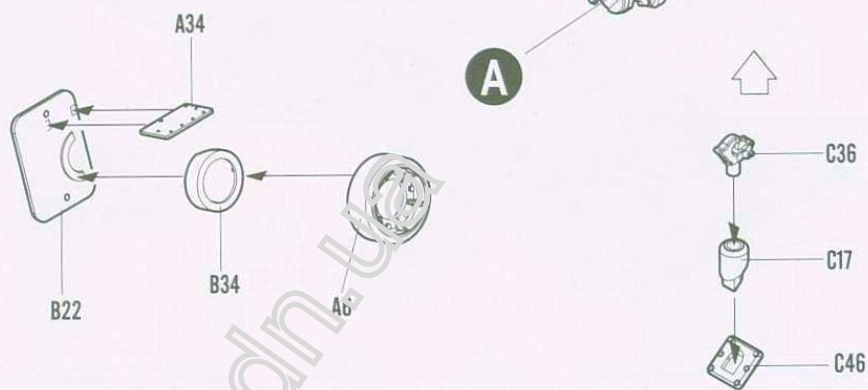


D

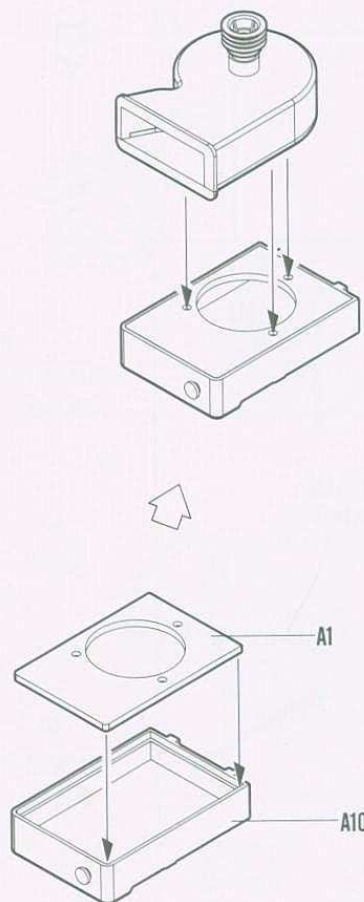
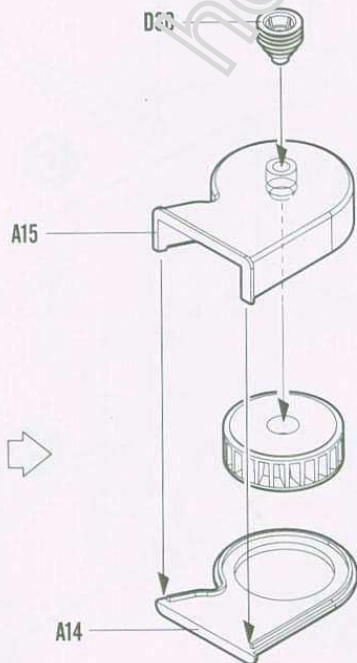
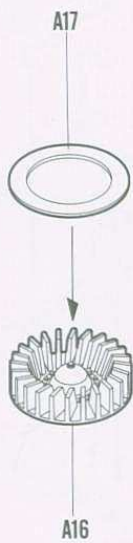


制作两组
Make two

3
STEP

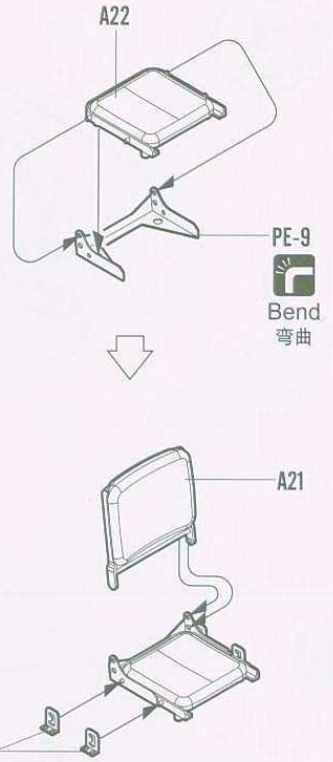
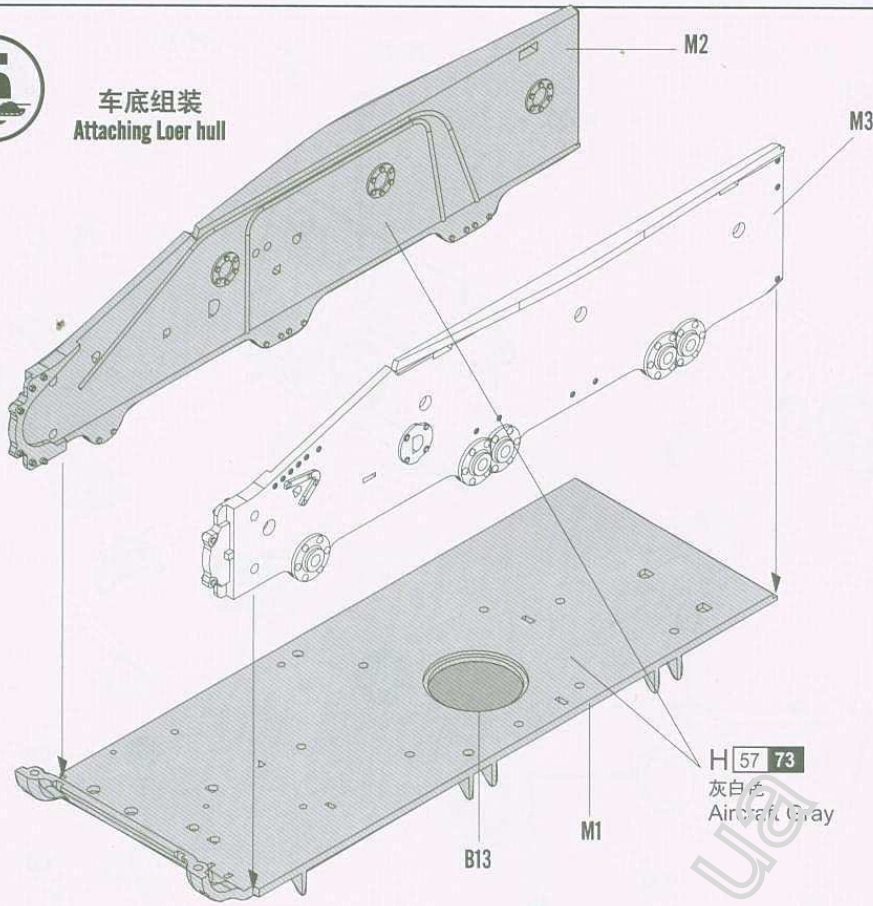


E



5
STEP

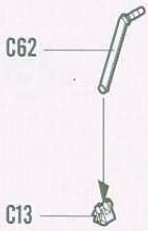
车底组装
Attaching Loer hull



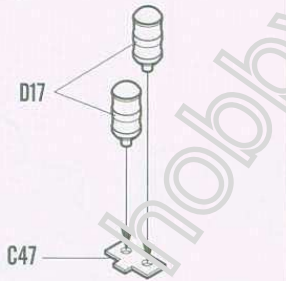
《对侧相同》
Both side

F

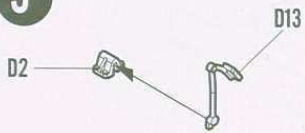
G



H

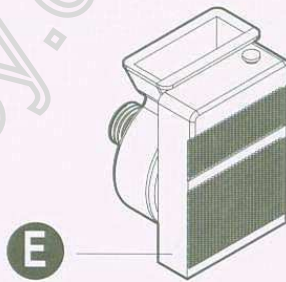
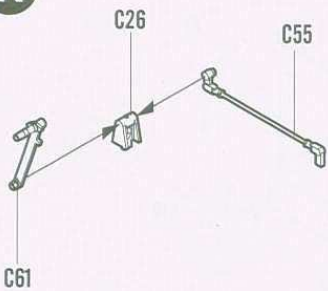


J



制作两组
Make two

K



E

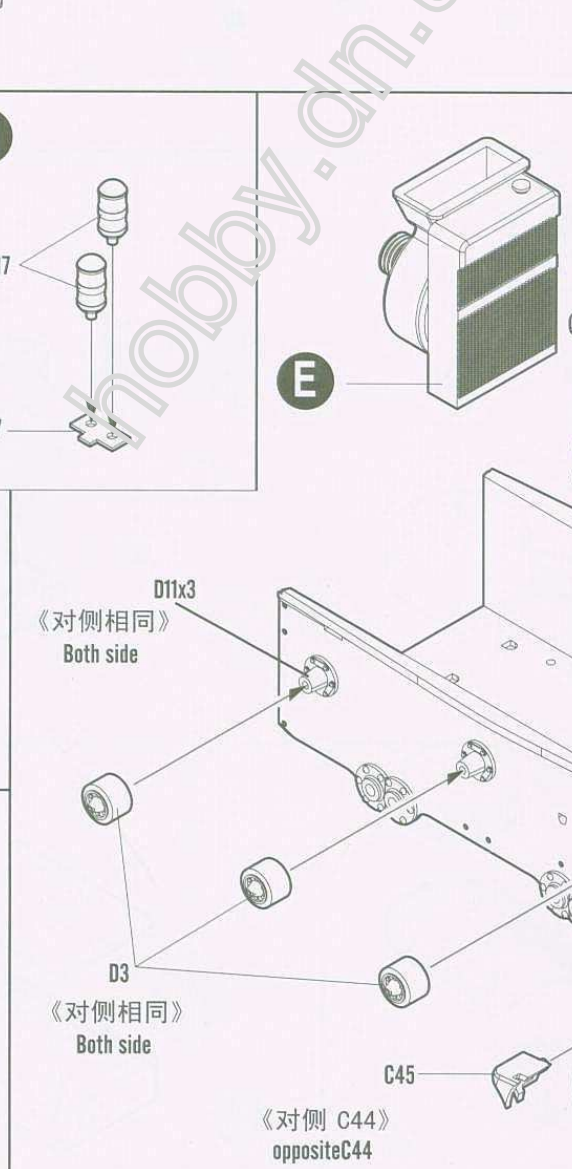
PE-10
Bend 弯曲

《对侧相同》
Both side

《对侧相同》
Both side

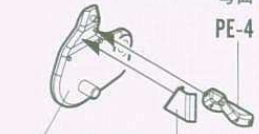
《对侧 C44》
opposite C44

《对侧相同》
Both side

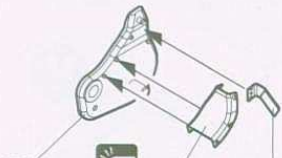
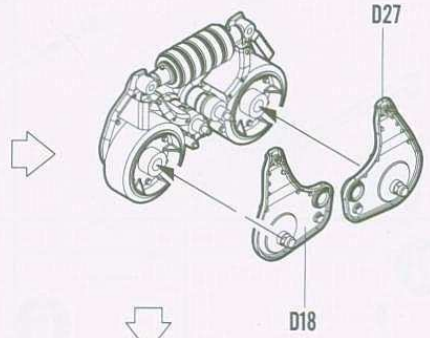
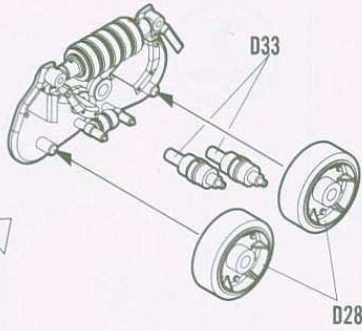
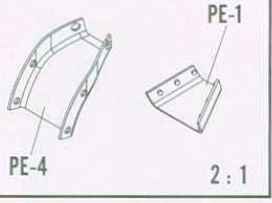




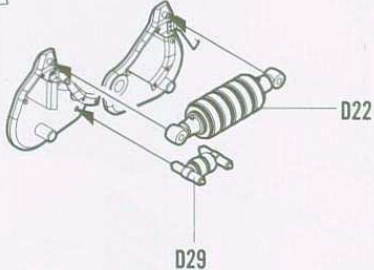
Bend
弯曲
PE-4



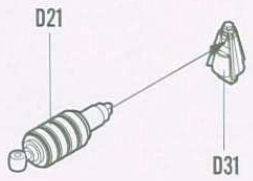
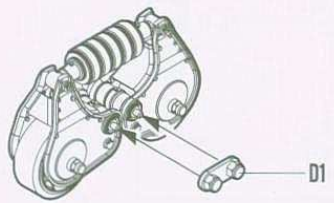
Bend
弯曲
PE-1



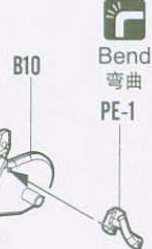
Bend
弯曲
PE-4
PE-1
Bend
弯曲



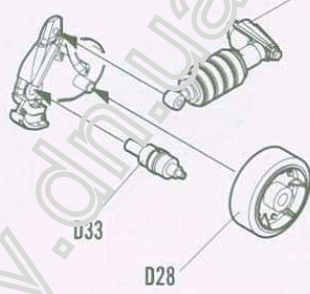
负重轮 A
Road wheel
制作四组
Make four



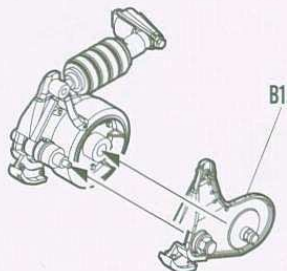
制作两组
Make two
L



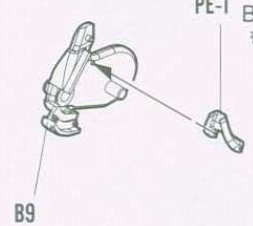
Bend
弯曲
PE-1



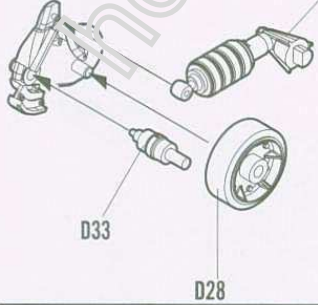
L



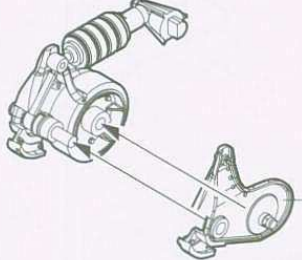
负重轮 B
Road wheel



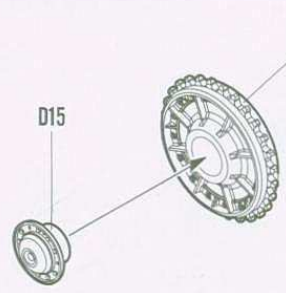
Bend
弯曲
PE-1



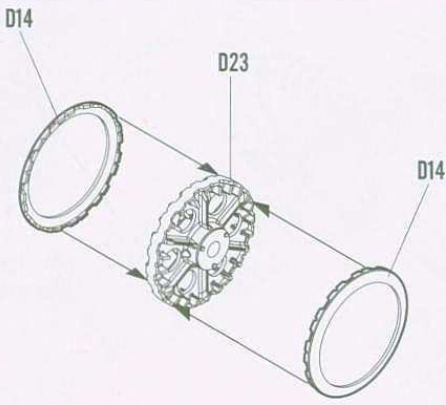
L



负重轮 C
Road wheel

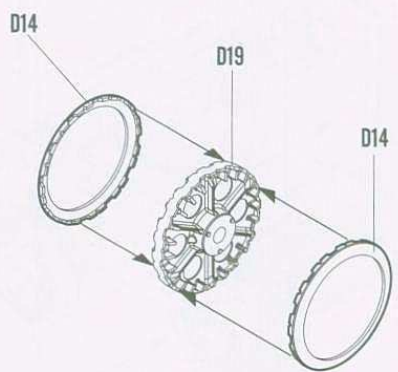


主动轮
Sprocket wheel
制作两组
Make two



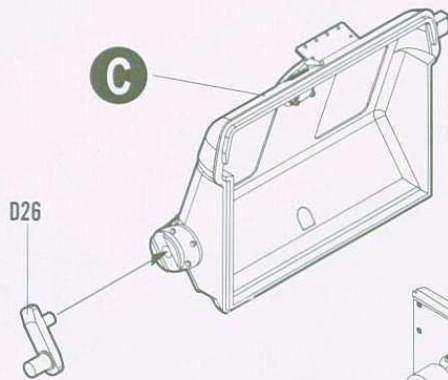
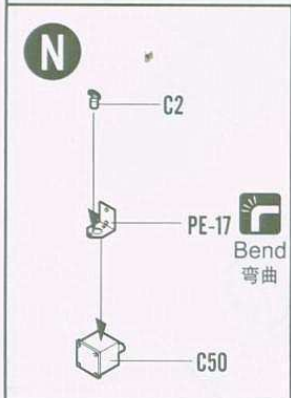
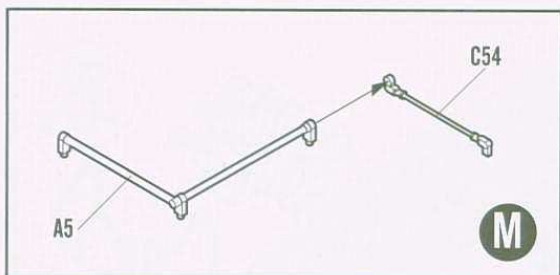
诱导轮 A
Idler wheel

制作两组
Make two



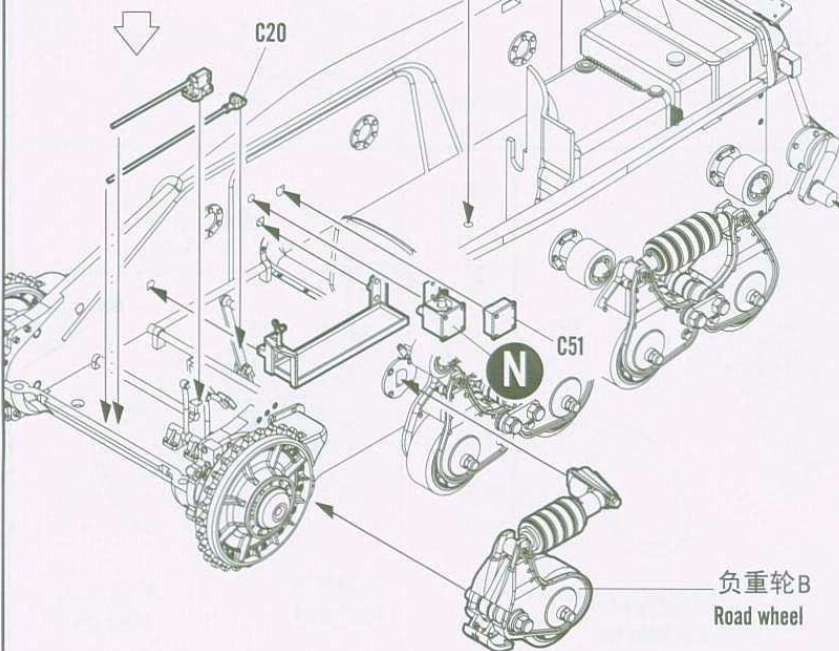
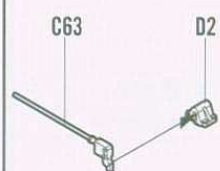
诱导轮 B
Idler wheel

制作两组
Make two



《对侧相同》
Both side

《对侧相同》
Both side
负重轮 A
Road wheel



负重轮 C
Road wheel

主动轮
Sprocket wheel
《对侧相同》
Both side

?
Option
选择

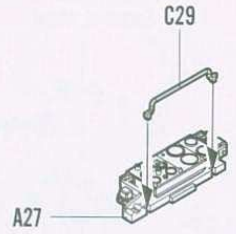
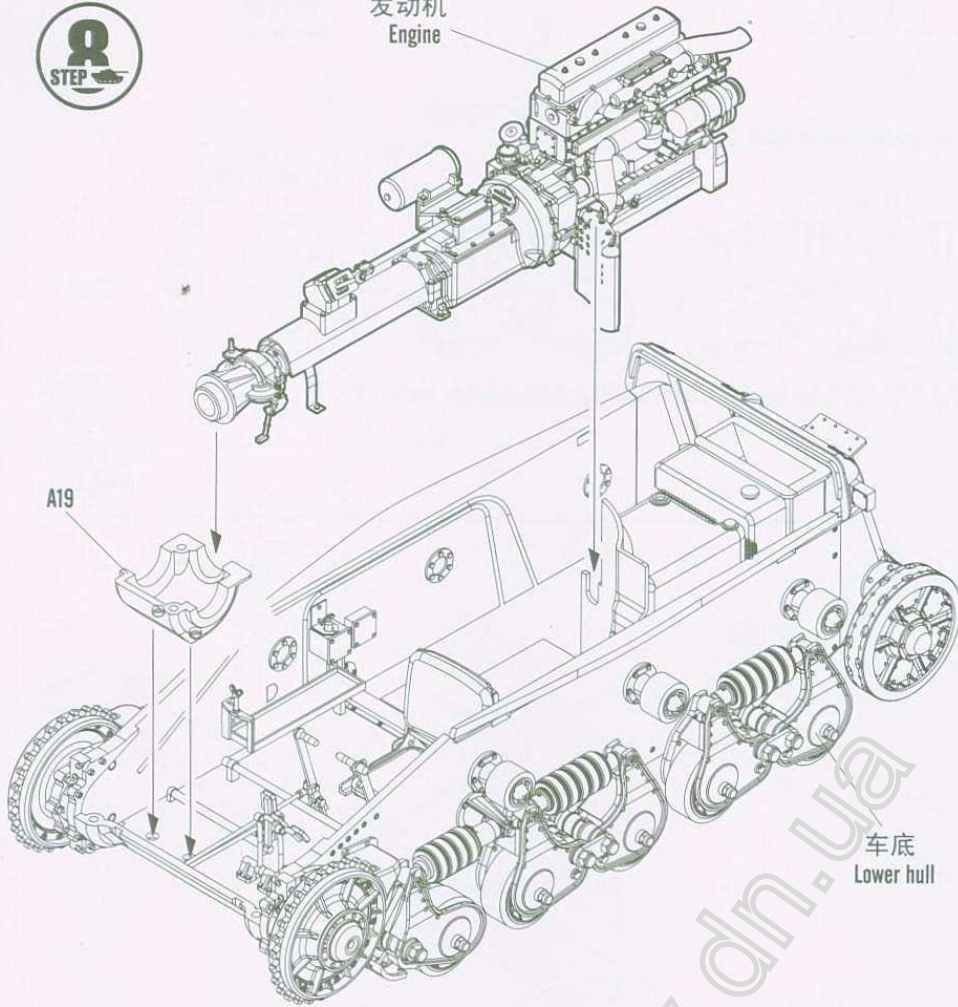
《对侧相同》
Both side

诱导轮 B
Idler wheel

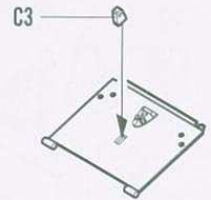
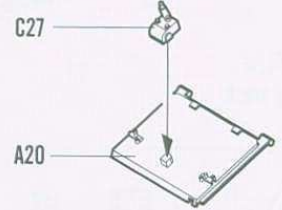
诱导轮 A
Idler wheel



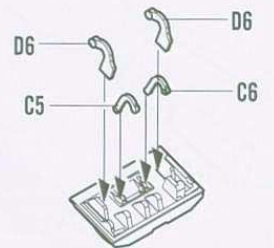
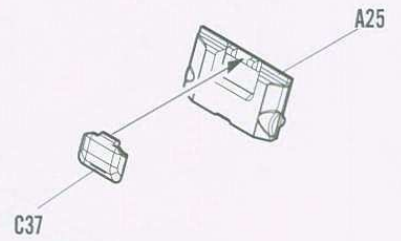
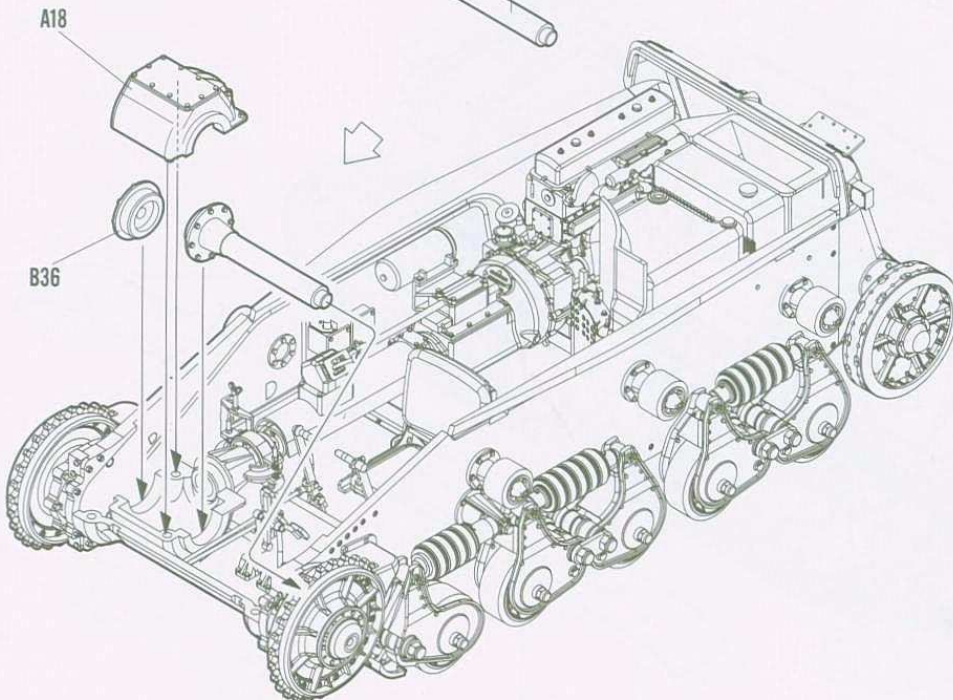
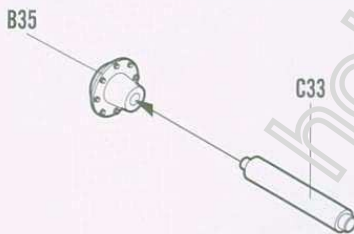
发动机
Engine



Q



R

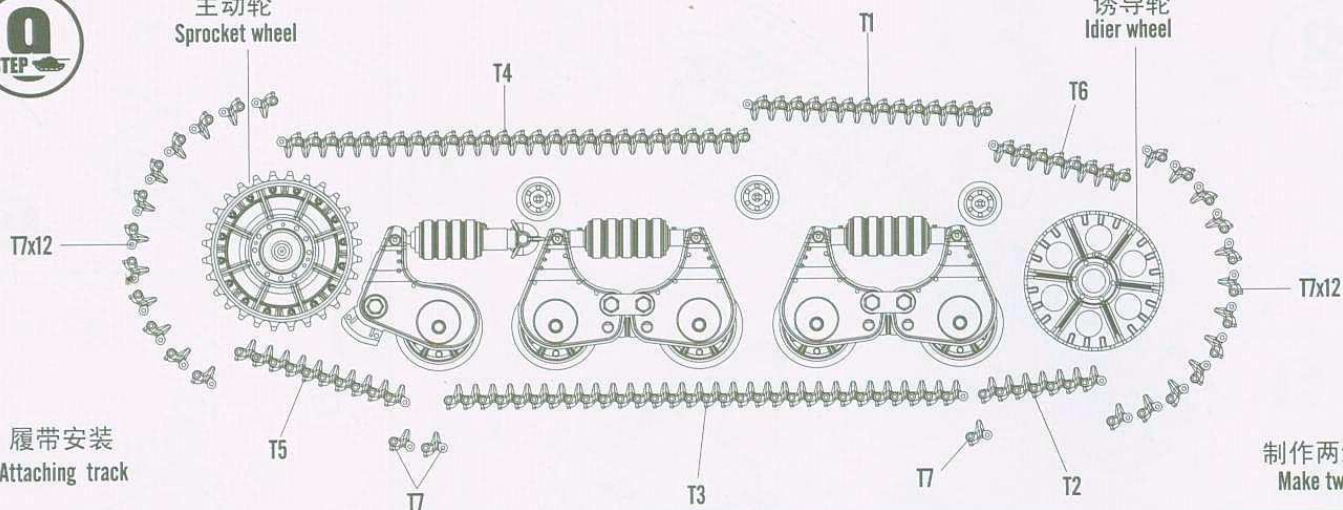


S

9
STEP

主动轮
Sprocket wheel

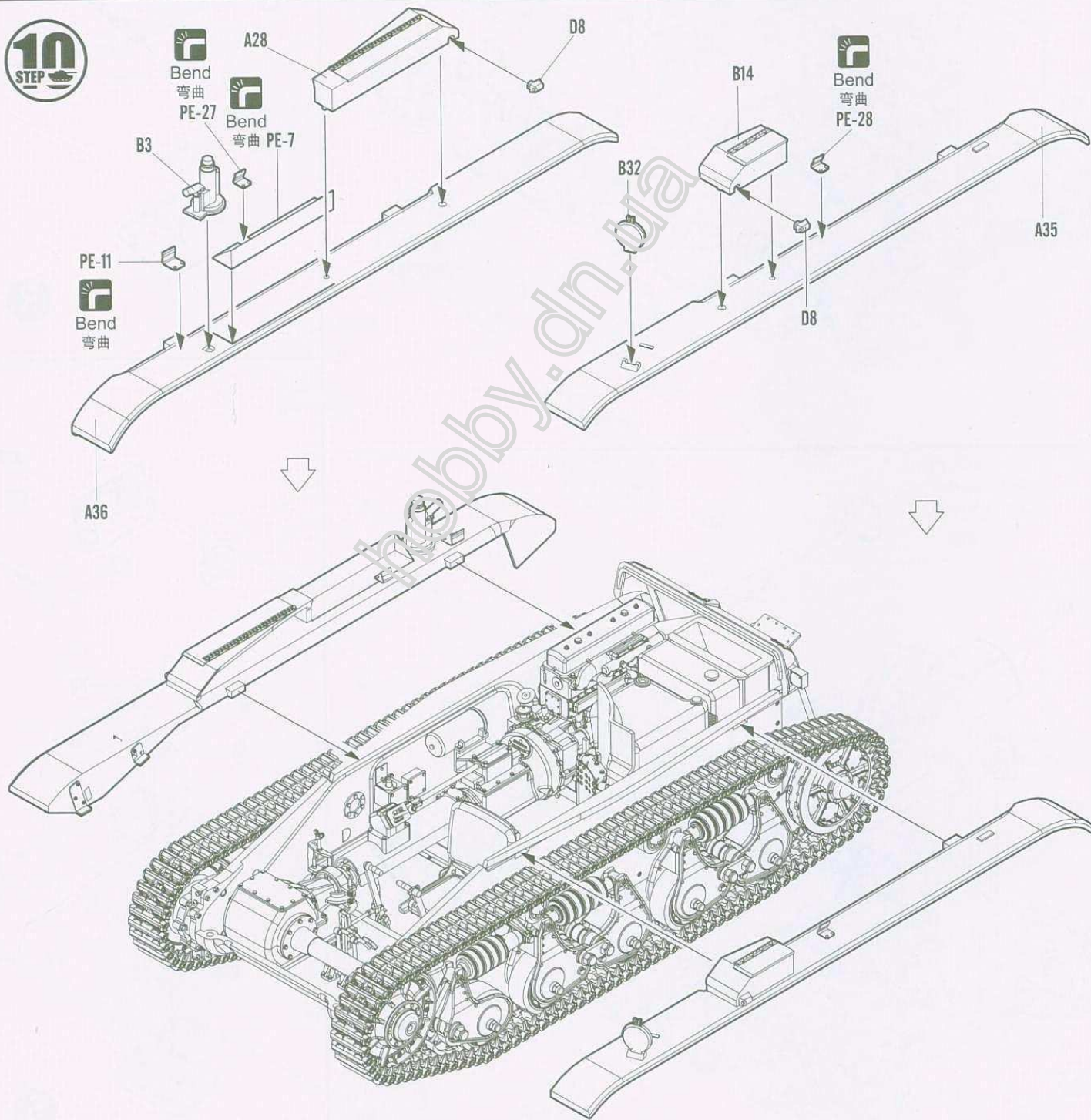
诱导轮
Idler wheel



履带安装
Attaching track

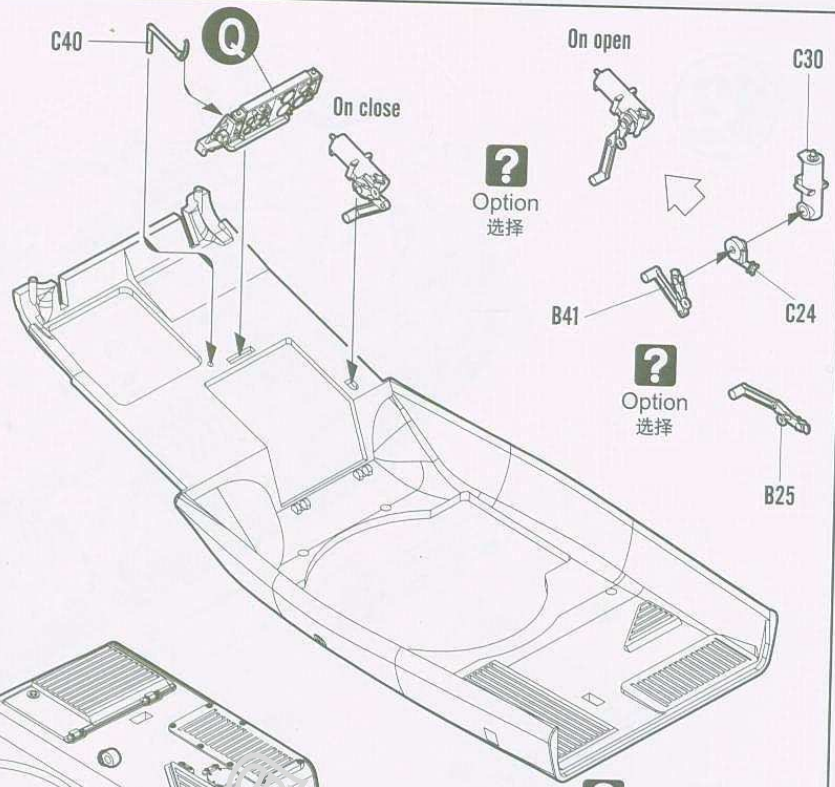
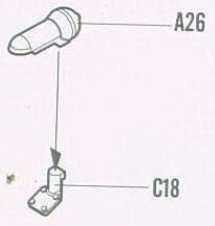
制作两组
Make two

10
STEP



11
STEP

T



?
Option
选择

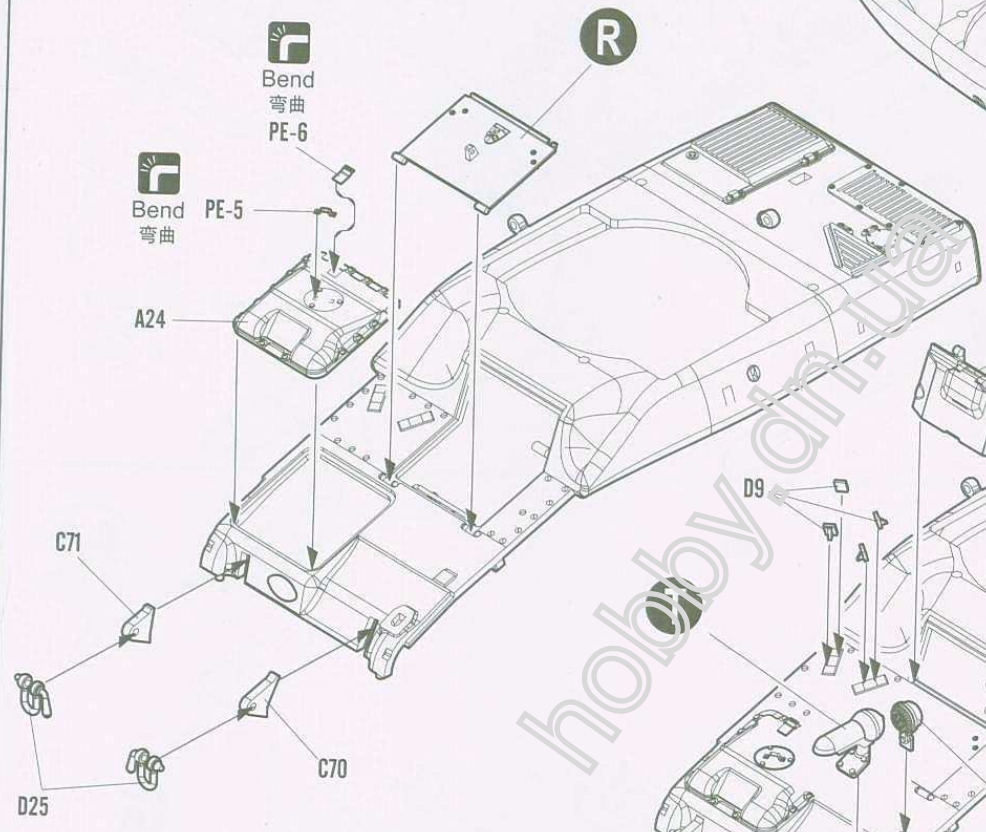
?
Option
选择

?
Option
选择
Close or open

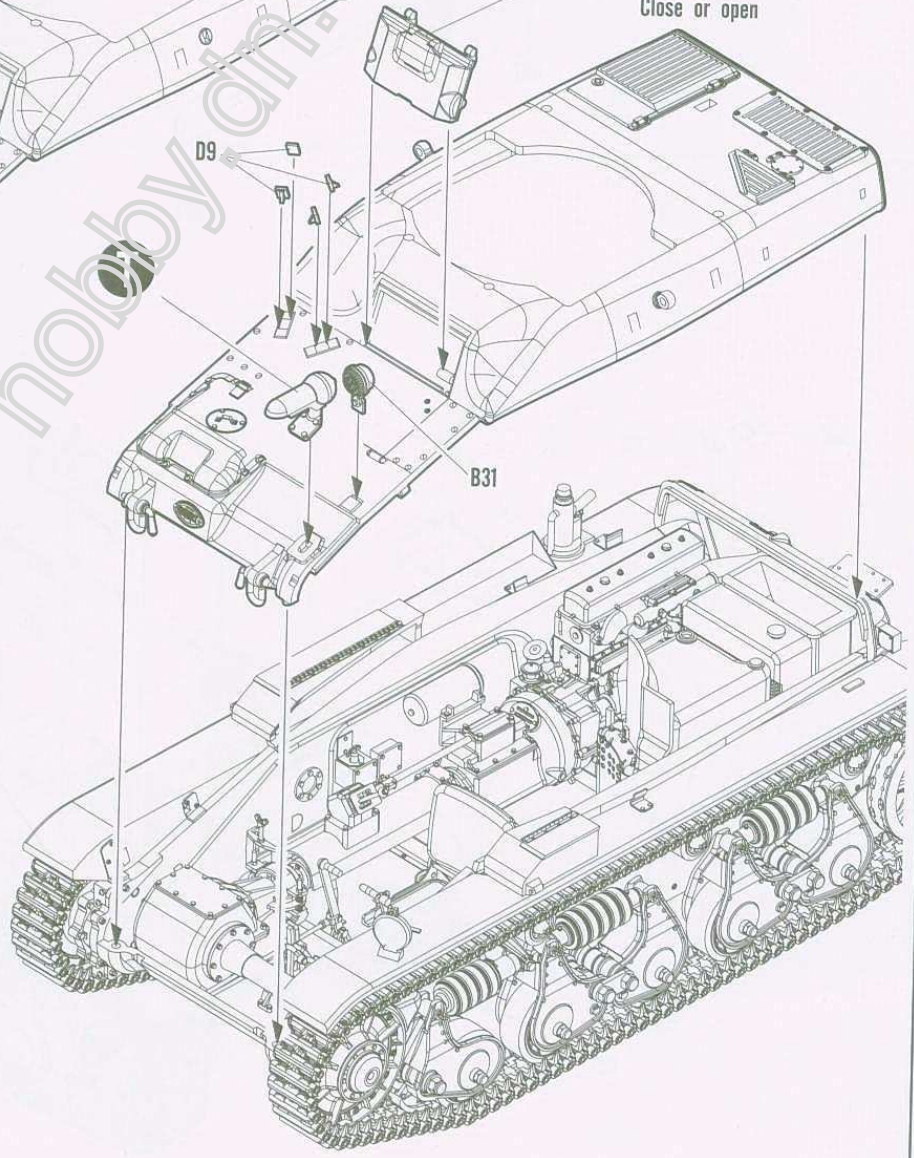
R

Bend
弯曲
PE-6

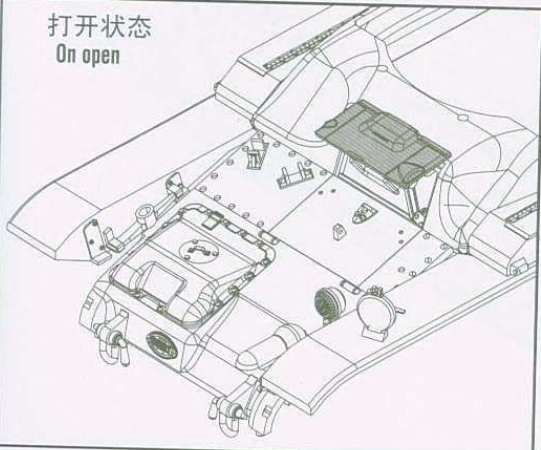
Bend
弯曲
PE-5



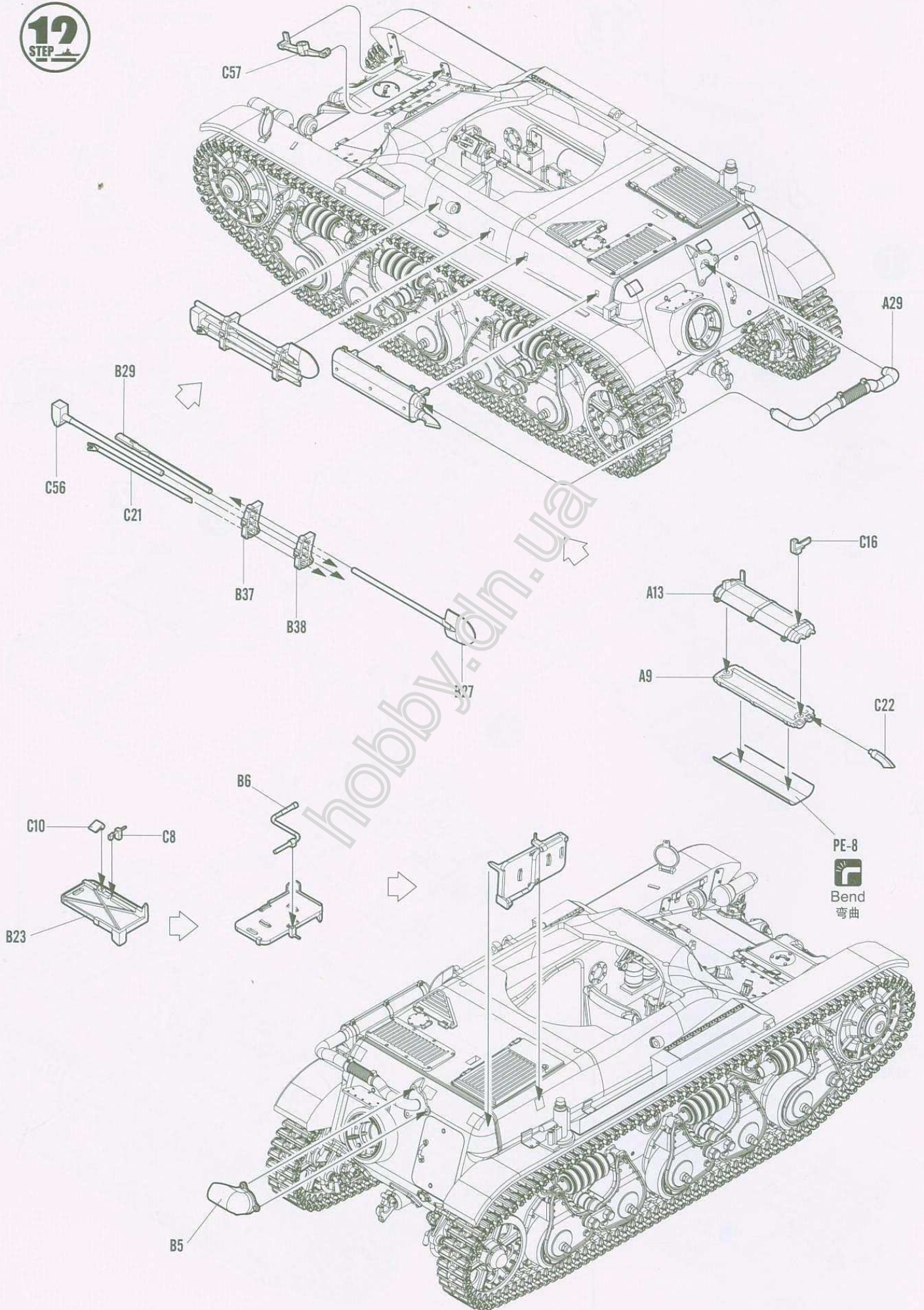
S



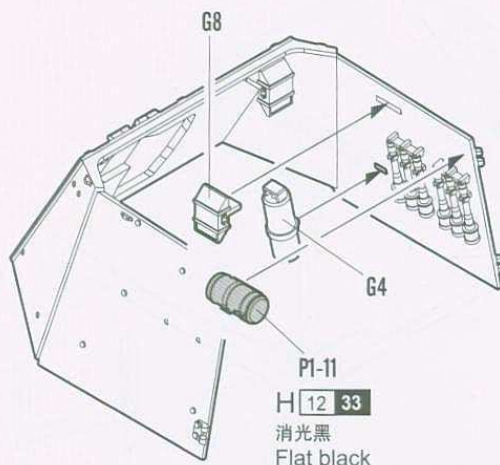
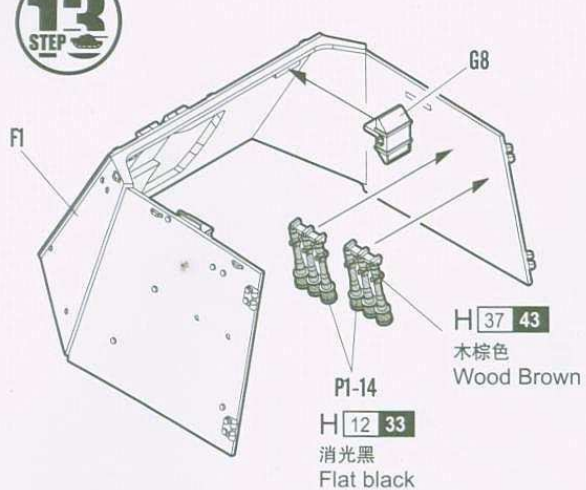
打开状态
On open



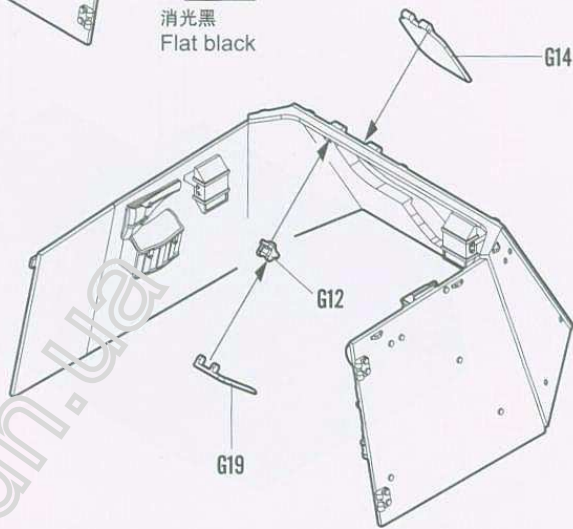
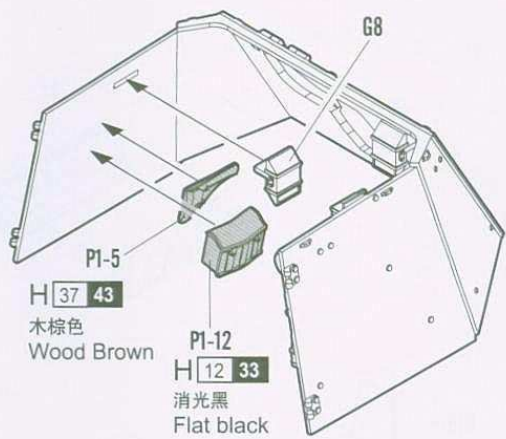
12
STEP



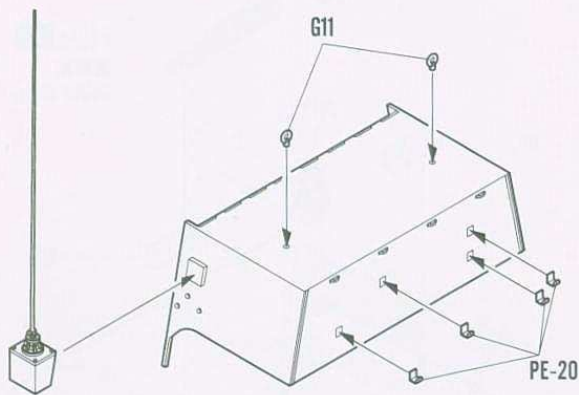
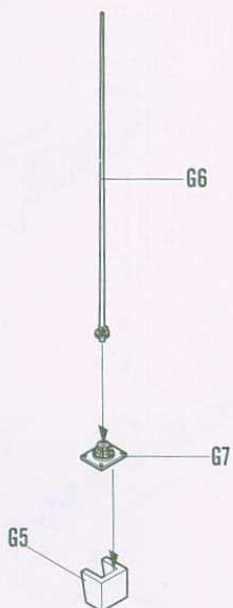
13
STEP



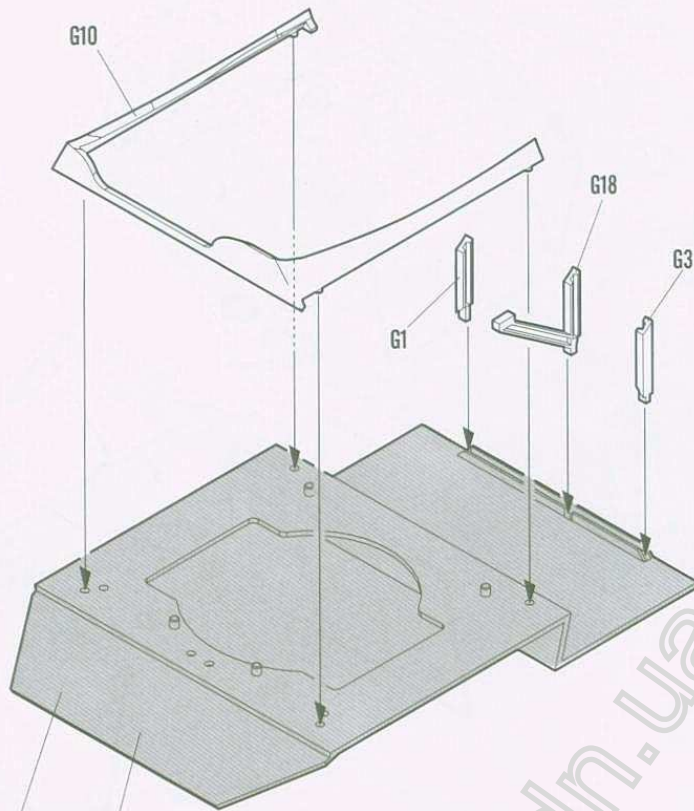
U



14
STEP



V

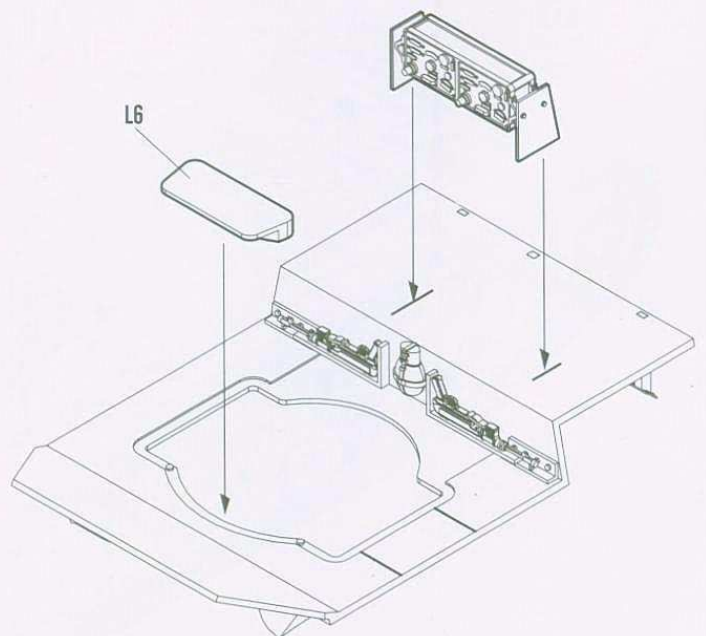
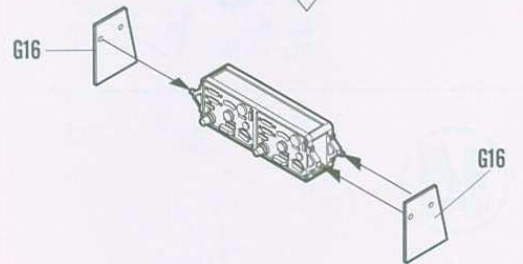
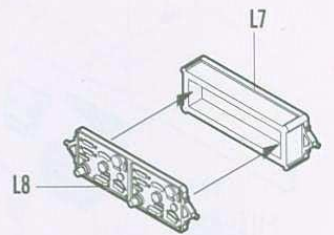
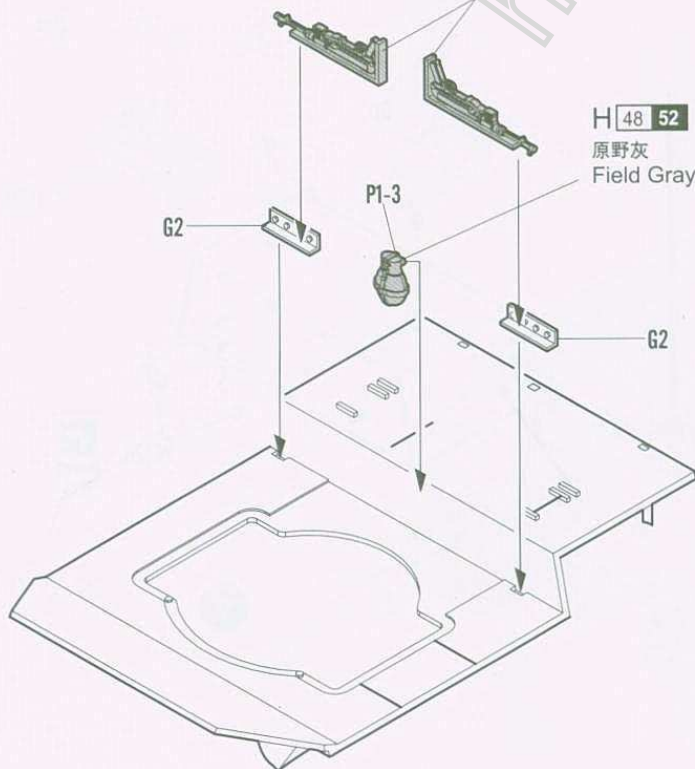


H 12 33 G20
消光黑
Flat black

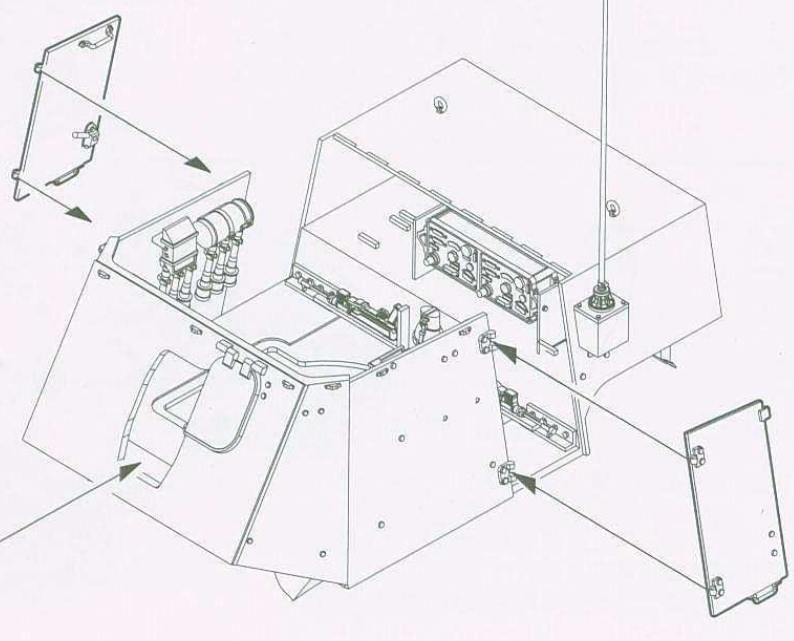
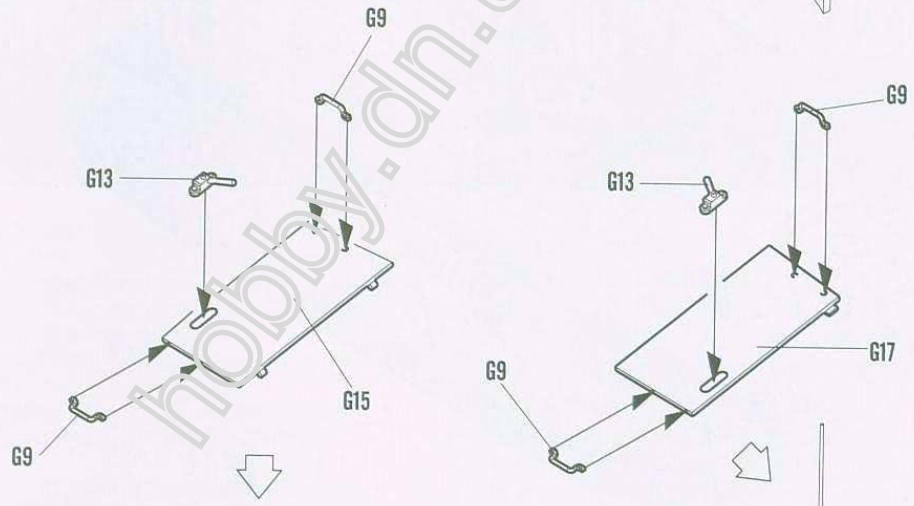
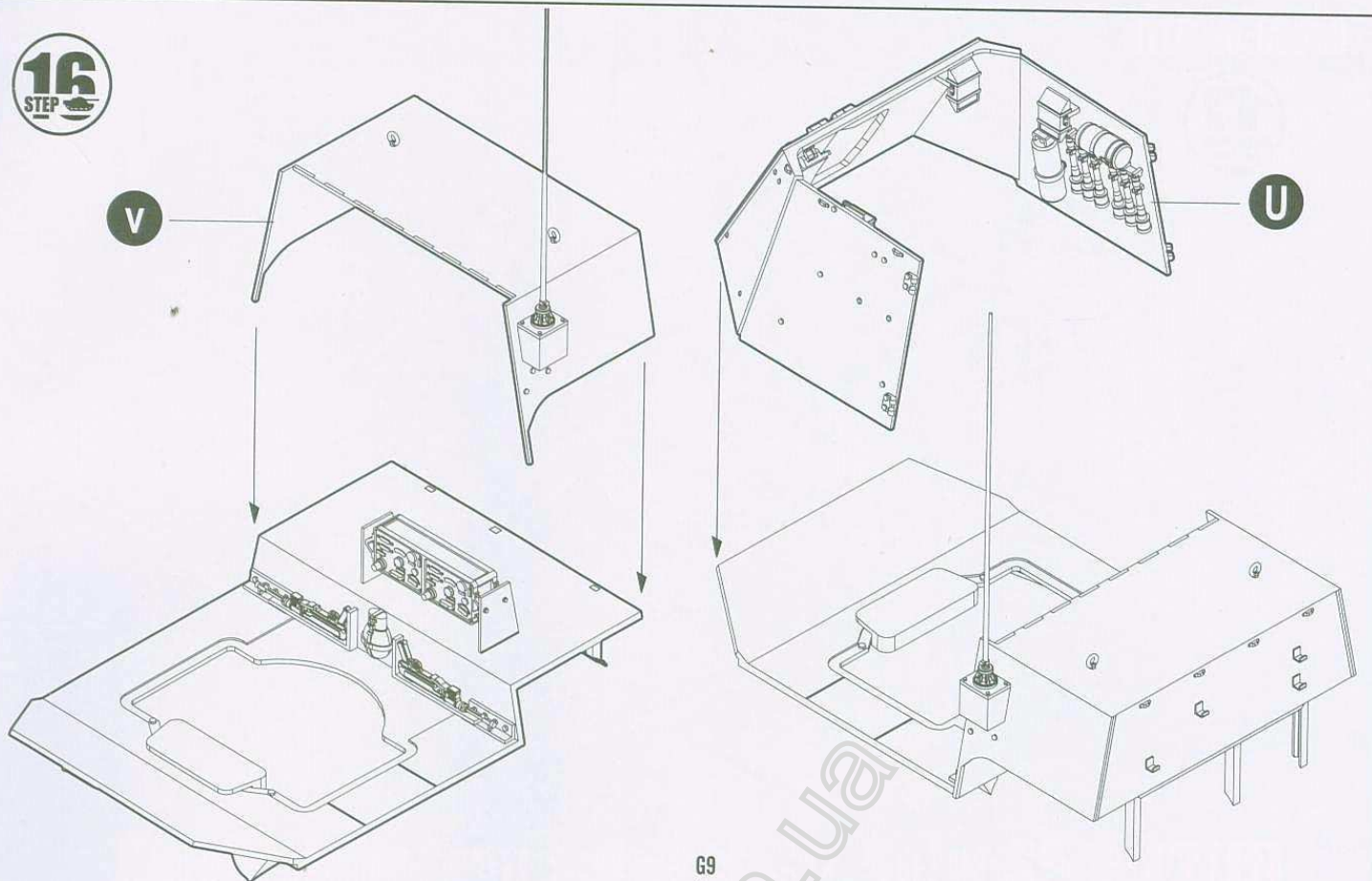
H 18 28
黑铁色
Metal Black

P1-10

H 48 52
原野灰
Field Gray



16
STEP



17
STEP

炮塔安装
Attaching turret

