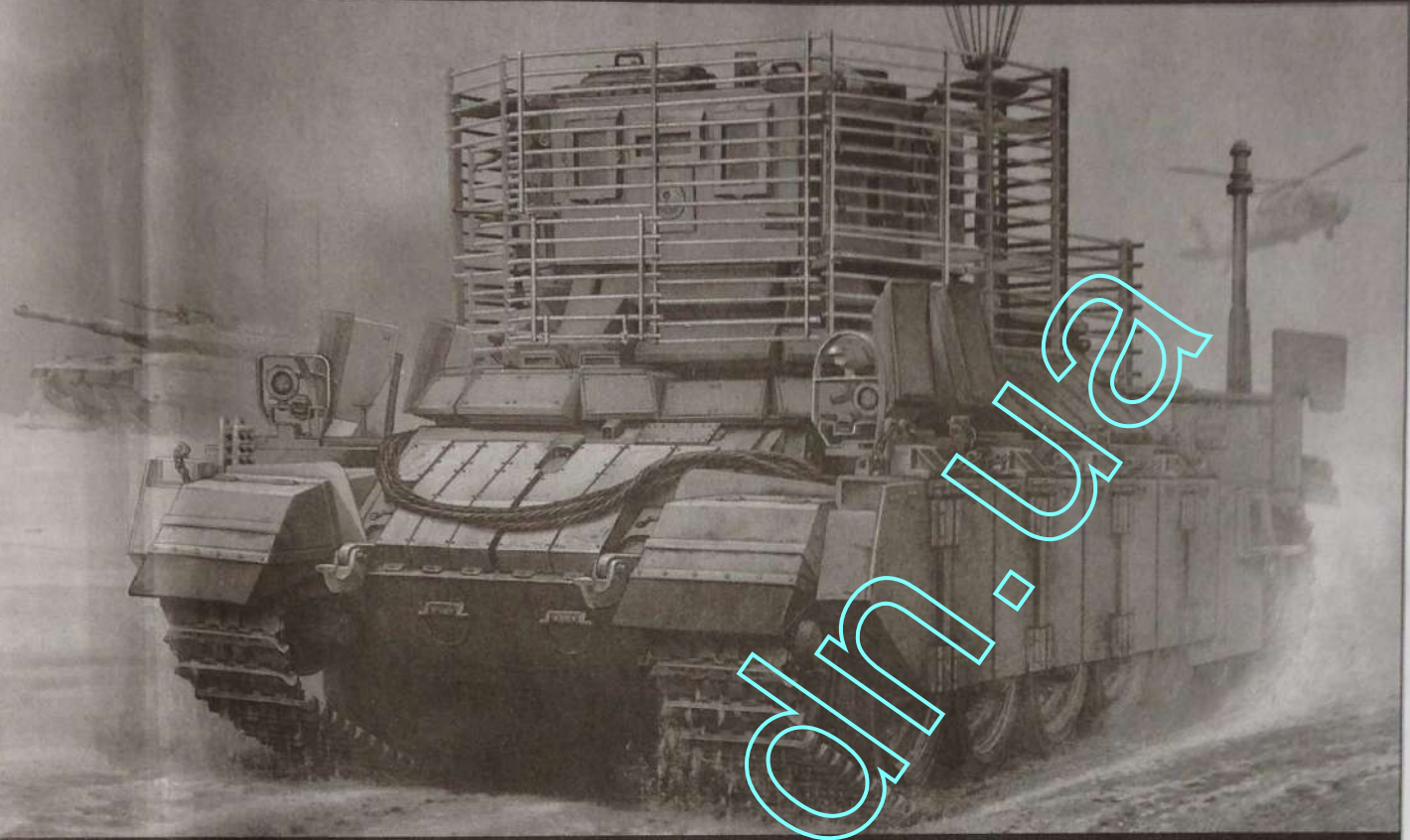


1:35 Scale

ITEM No.:83870



IDF APC Nagmachon (Doghouse II)

装甲步兵戰鬥車ナグマホン(ドッグハウスII)

以色列纳格马肖恩装甲运兵车(狗窝塔楼II型)

PLEASE READ BEFORE OPERATION!

- * Tools recommended as below: (Not included)
Adhesives; Paints; Side Cutters; Sharp Edged Pliers; Modeling Knife; Modeling File; Nippers; Drill; Scissors; Sand Paper; Soft Cloth; Cyanoacrylate Glue.
- * Make sure to read this instruction listed below before assembling.
- * The kit contains the small parts, they can be dangerous if swallowed by mistake, so keep them away from reach of children.
- * Cut the all parts off carefully and remove the waste parts into the garbage can.
- * More caution and care should be needed for cutting and handling the photo etched parts.
- * Make attention that some parts should be attached the decal when assembled.
- * During assembling, please tear up and throw away the plastic bags, or may cause the dangerous if wearing over head by children's mistake.
- * When using the adhesives and paints, please do not use them in the closed room or near the fire, also must be very careful to protect your eyes, face and clothes.
- * Adult supervised when assembled by children under 14 years old.

装配前请仔细阅读:

- * 推荐使用的模型工具(请自备):
专用模型胶水, 专用模型油漆, 水口剪刀, 长咀钳, 刀片, 锉刀, 镊子钳, 钻, 剪刀, 软布, 砂纸, 瞬间快干胶等。
- * 用水口剪刀或刀片小心切下所有塑胶零件和蚀刻片零件, 不要遗失小零件。
- * 切取蚀刻片时应特别注意防止利边划伤手指。
- * 用模型锉刀小心锉平所有零件表面的注射浇口。
- * 用适量的强力快干胶水粘合蚀刻片零件和金属轴, 切忌过量, 否则可能导致可动零件被粘住。
- * 注意某些零件表面需在装配时同步贴贴水贴纸。
- * 制作时应远离幼儿并将包装袋及时收妥, 谨防小孩玩耍而引起意外。



using ca super glue
使用强力胶



weight
配重



make hole
钻孔



cut / remove
切除



option
选择



no cement
不涂胶水



decal
贴纸



bend
弯曲



repair
填补

The method to apply the decals

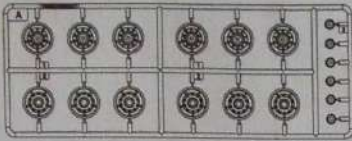
1. Cut off the decal from the decal paper and put it into the warm water 40°C for 10 seconds.
2. Take the decal from the water and put it on a piece of clean cloth.
3. Remove the decal slowly from the paper to the targeted location by a wet finger.
4. Use a piece of dry and soft cloth to press it gently on the decal until it getting dry and no bubble existing.

水贴纸的使用方法:

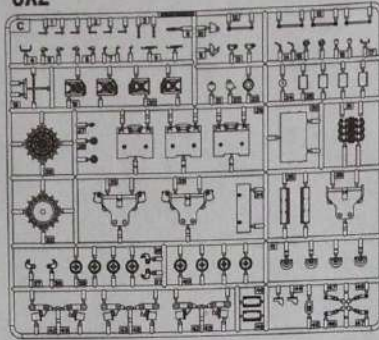
- 一. 把相关的印花从水贴纸上剪下, 放入40°C左右的温水中浸10秒。
- 二. 然后将印花放在干净的布上。
- 三. 拿上印花纸板, 手指蘸水将印花移到适当的位置。
- 四. 用软干布轻压印花直至水干, 气泡消失。

部品图 Parts

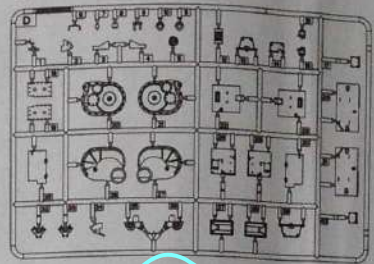
AX2



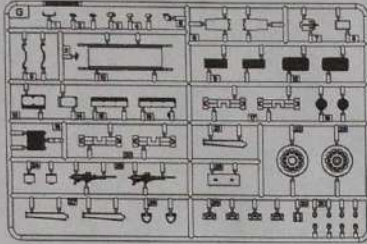
CX2



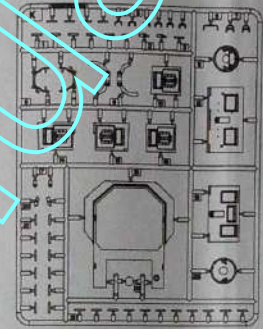
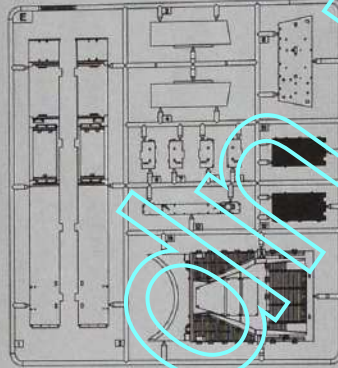
D



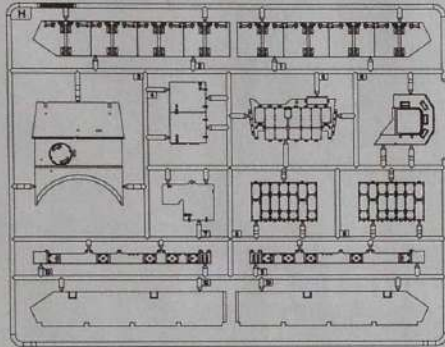
GX2



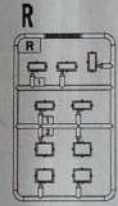
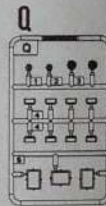
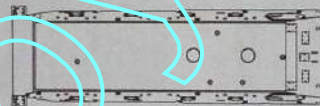
E



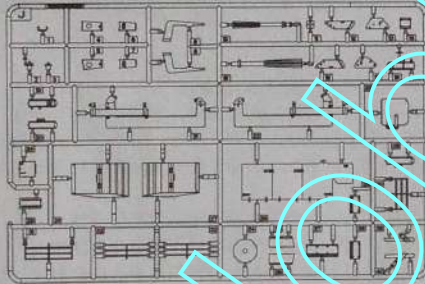
H



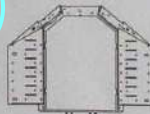
车底
Lower hull



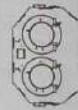
J



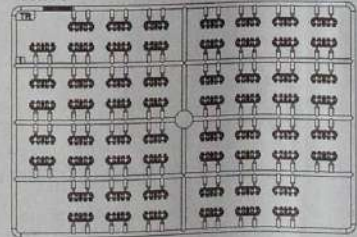
E11



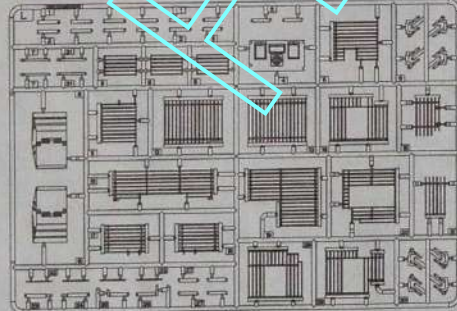
K13



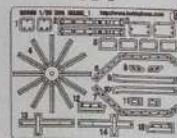
TRX4



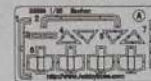
L



蚀刻片B
PE-B



蚀刻片A
PE-A



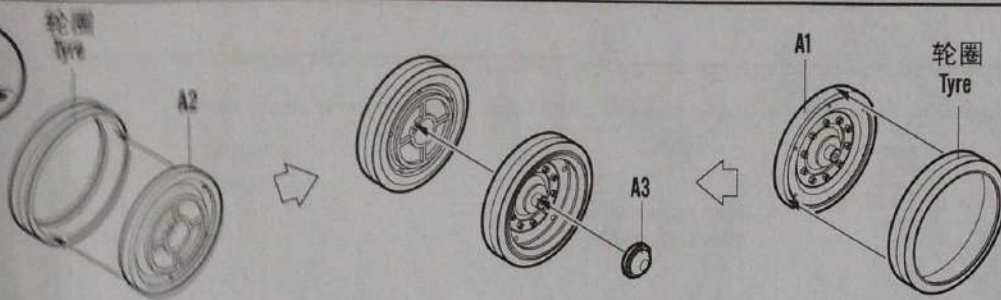
轮胎
Tyre x24



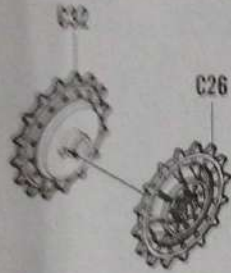
《水贴》
Decal



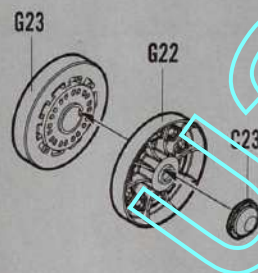
1 STEP



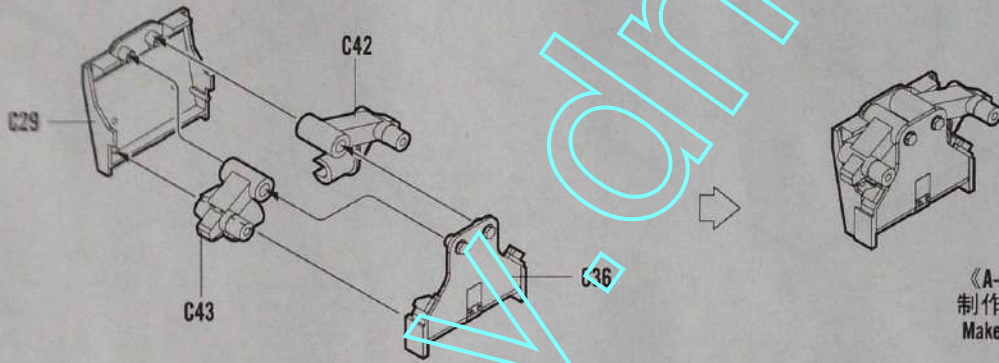
负重轮
Road wheels
制作12组
Make twelve



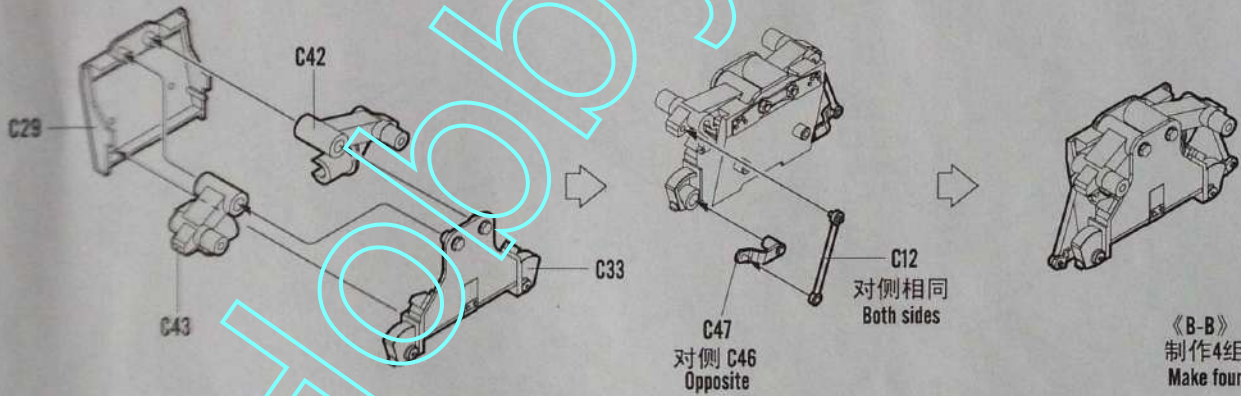
主动轮
Sprocket wheels
制作2组
Make two



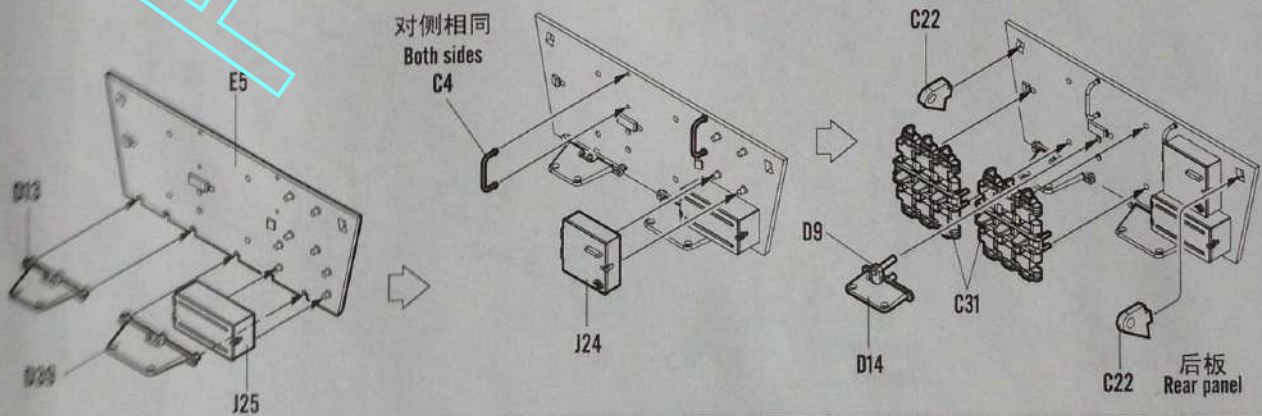
诱导轮
Guide wheels
制作2组
Make two



《A-A》
制作2组
Make two



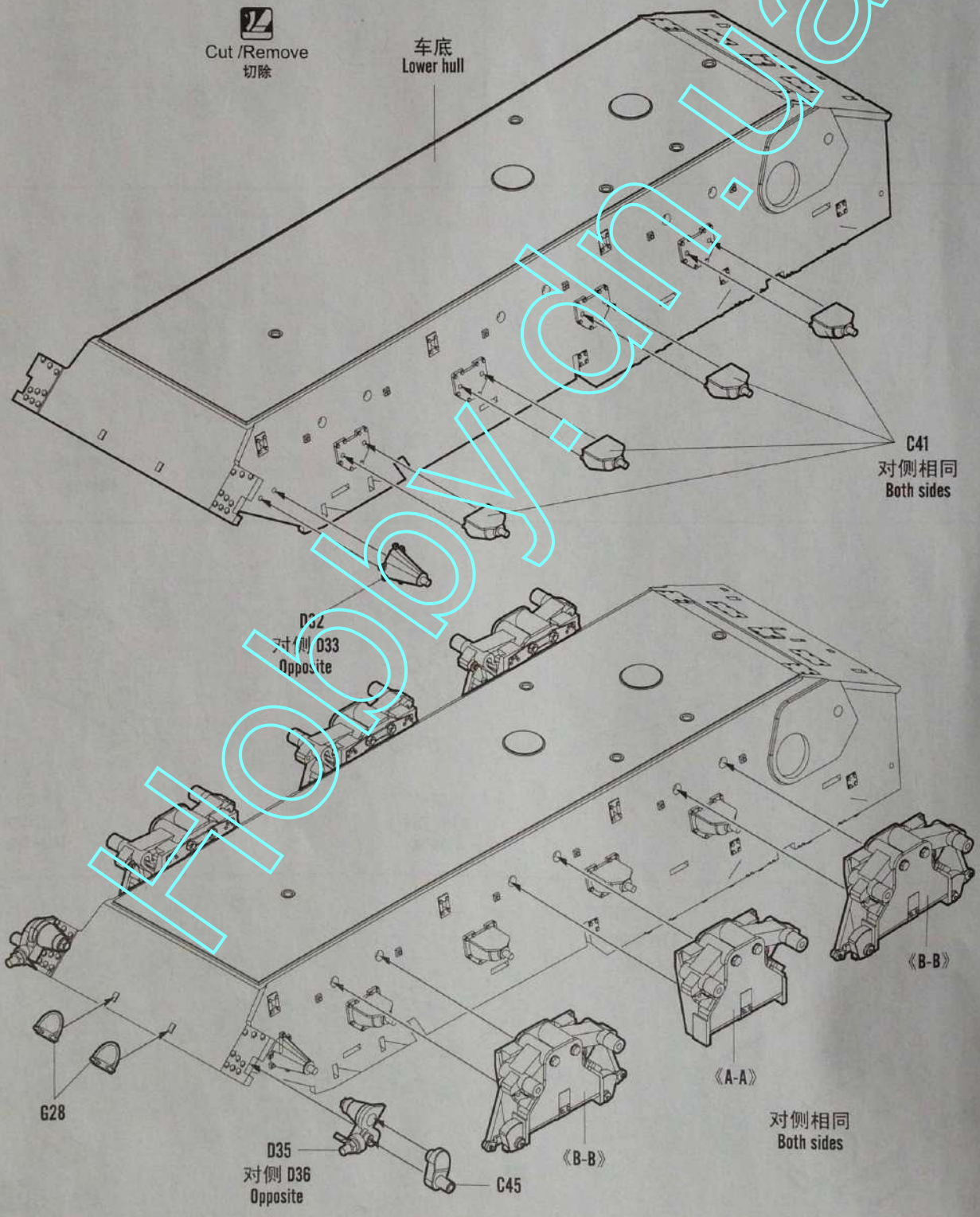
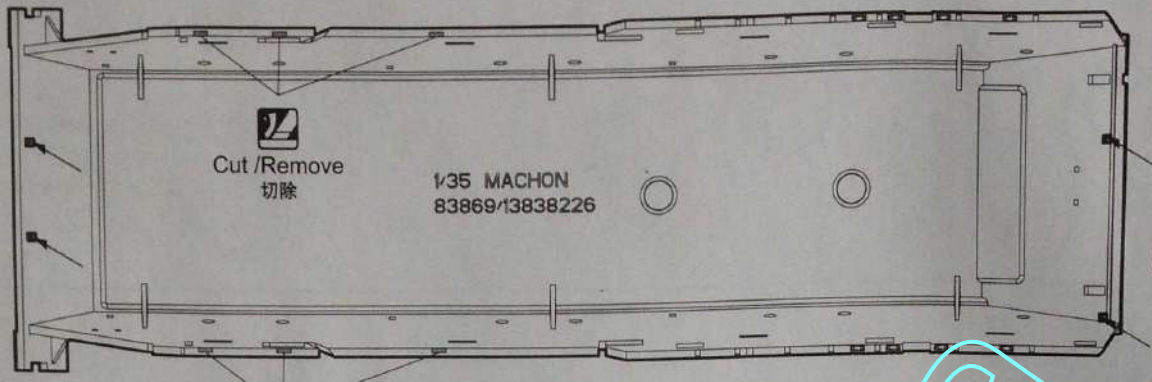
《B-B》
制作4组
Make four



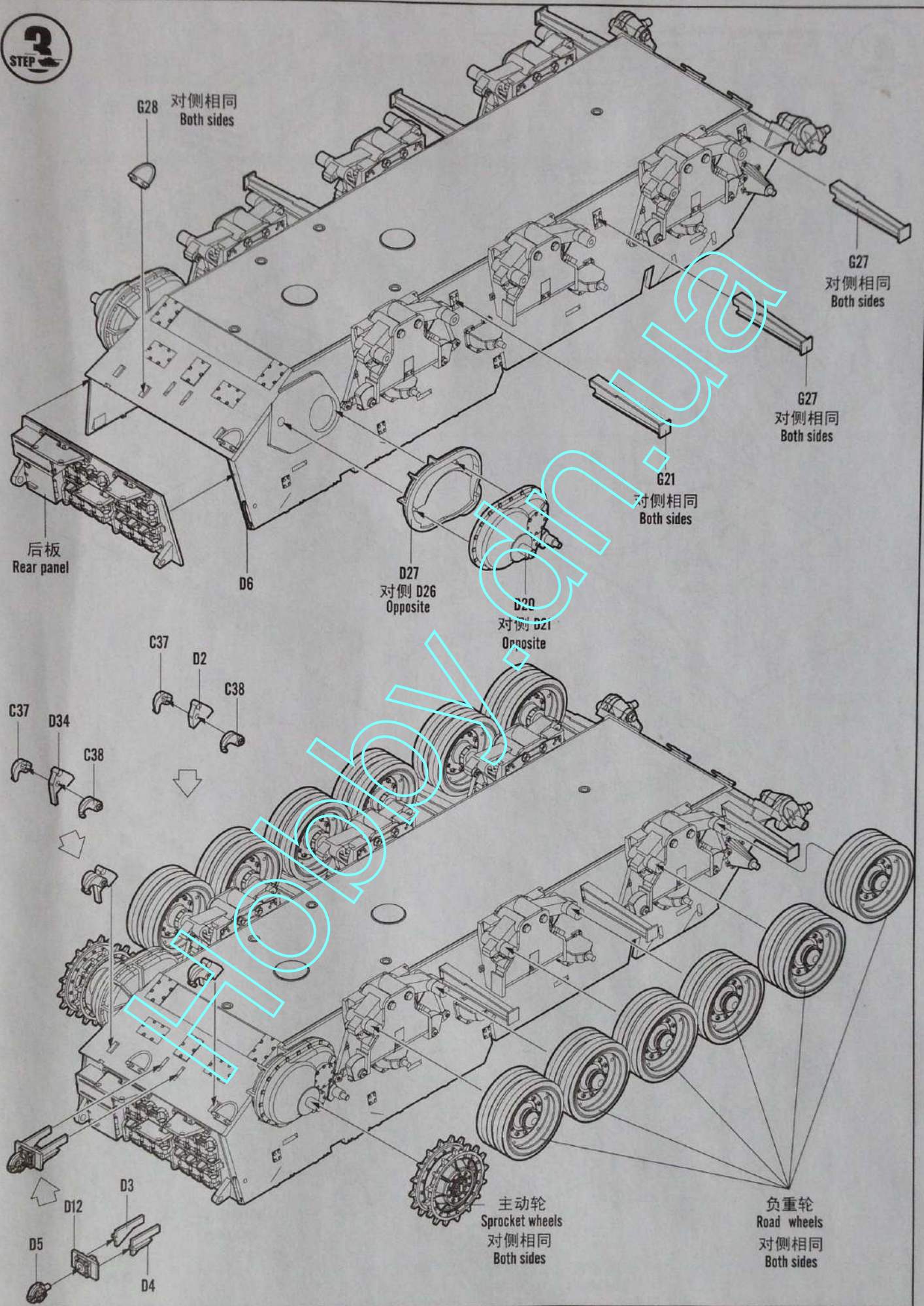
后板
Rear panel

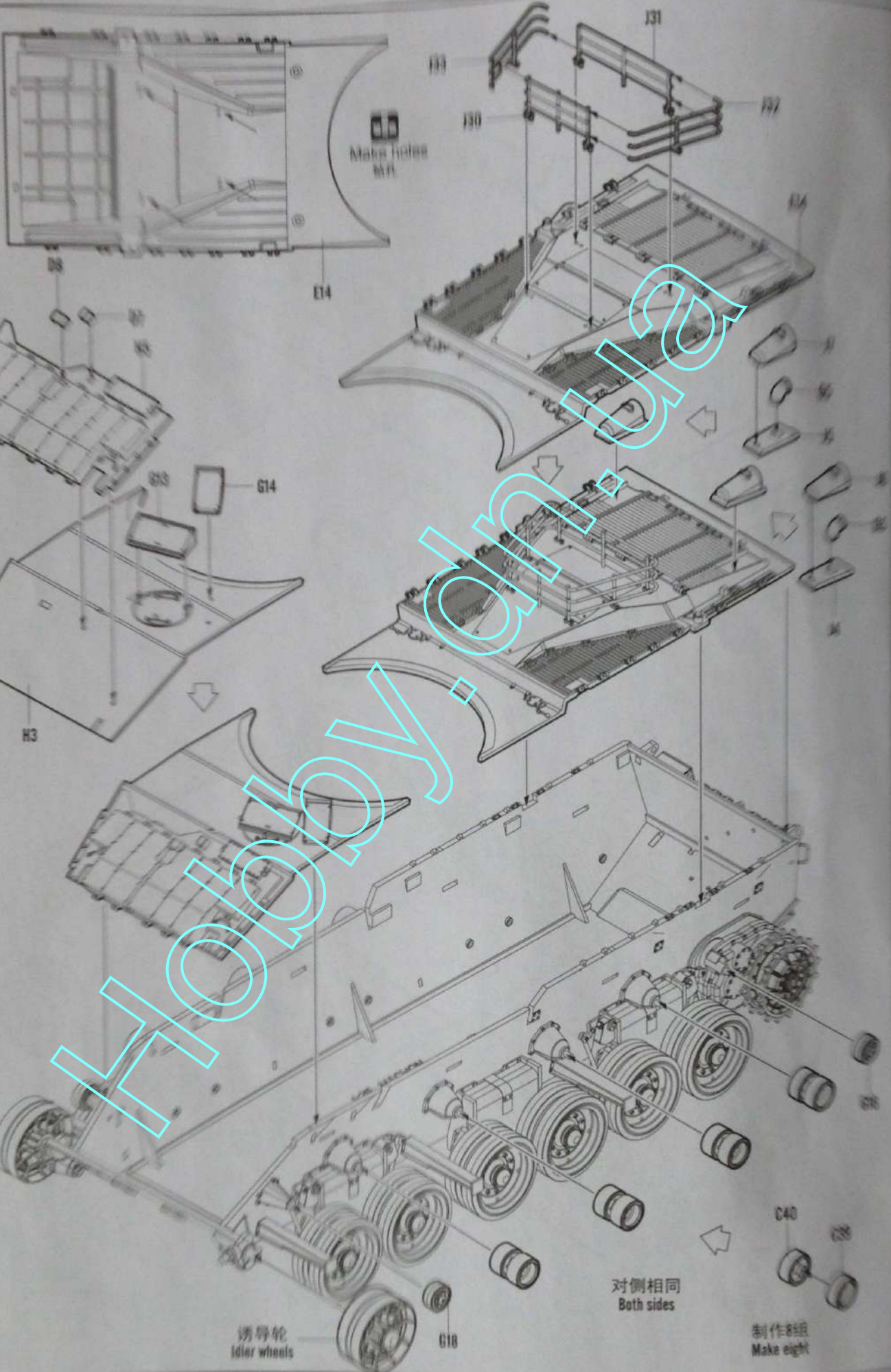
2
STEP


Make holes
钻孔



3
STEP





诱导轮
Idler wheels

G18

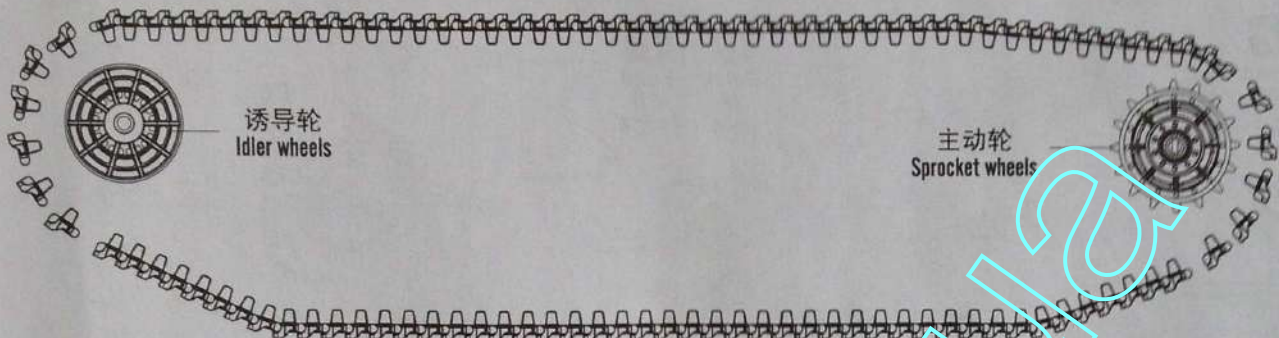
对侧相同
Both sides

制作8组
Make eight

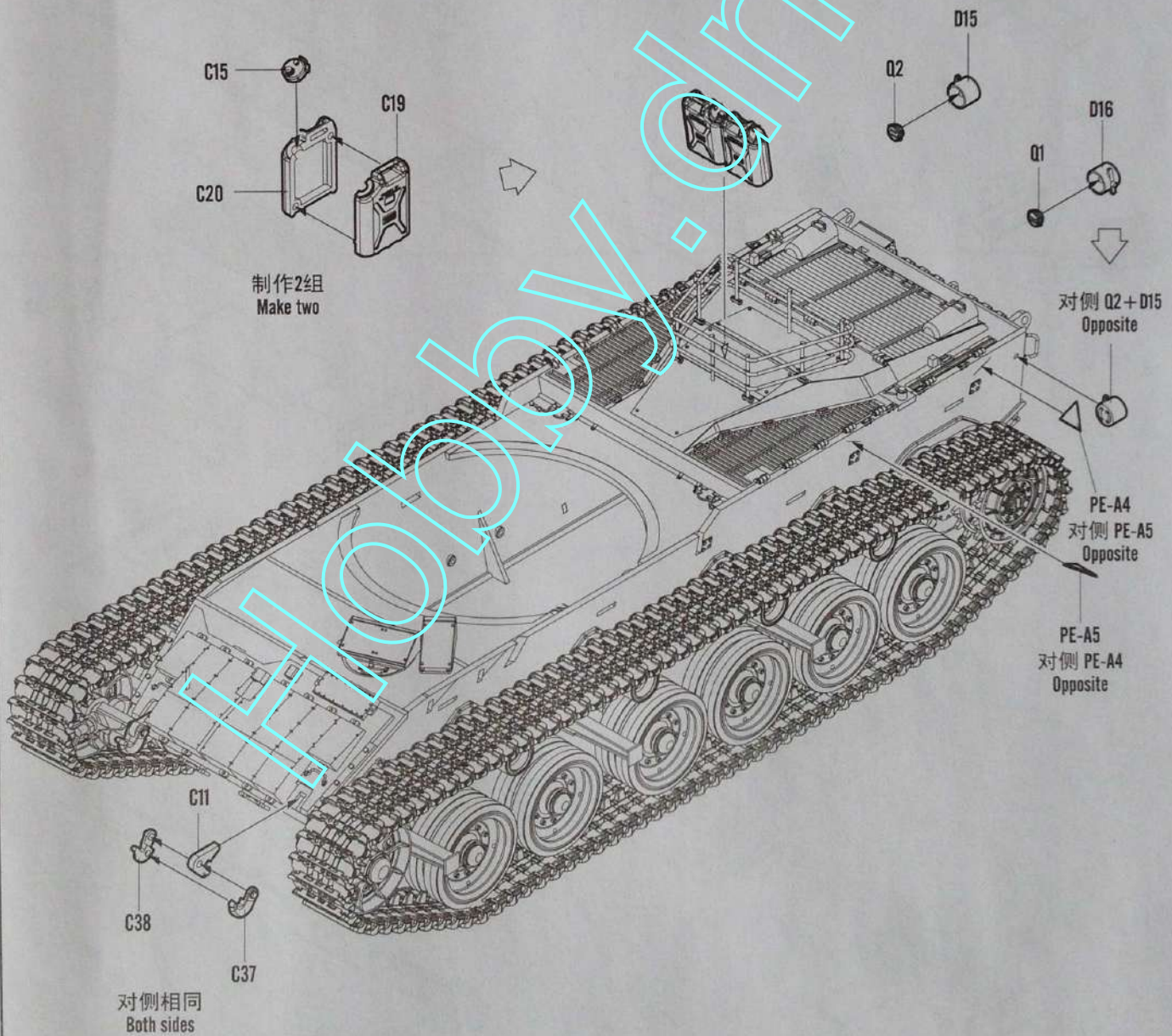
5
STEP

履带组装
Track assembly

单侧履带约需106节
Complete track for one side requires 106 links



制作2组
Make two



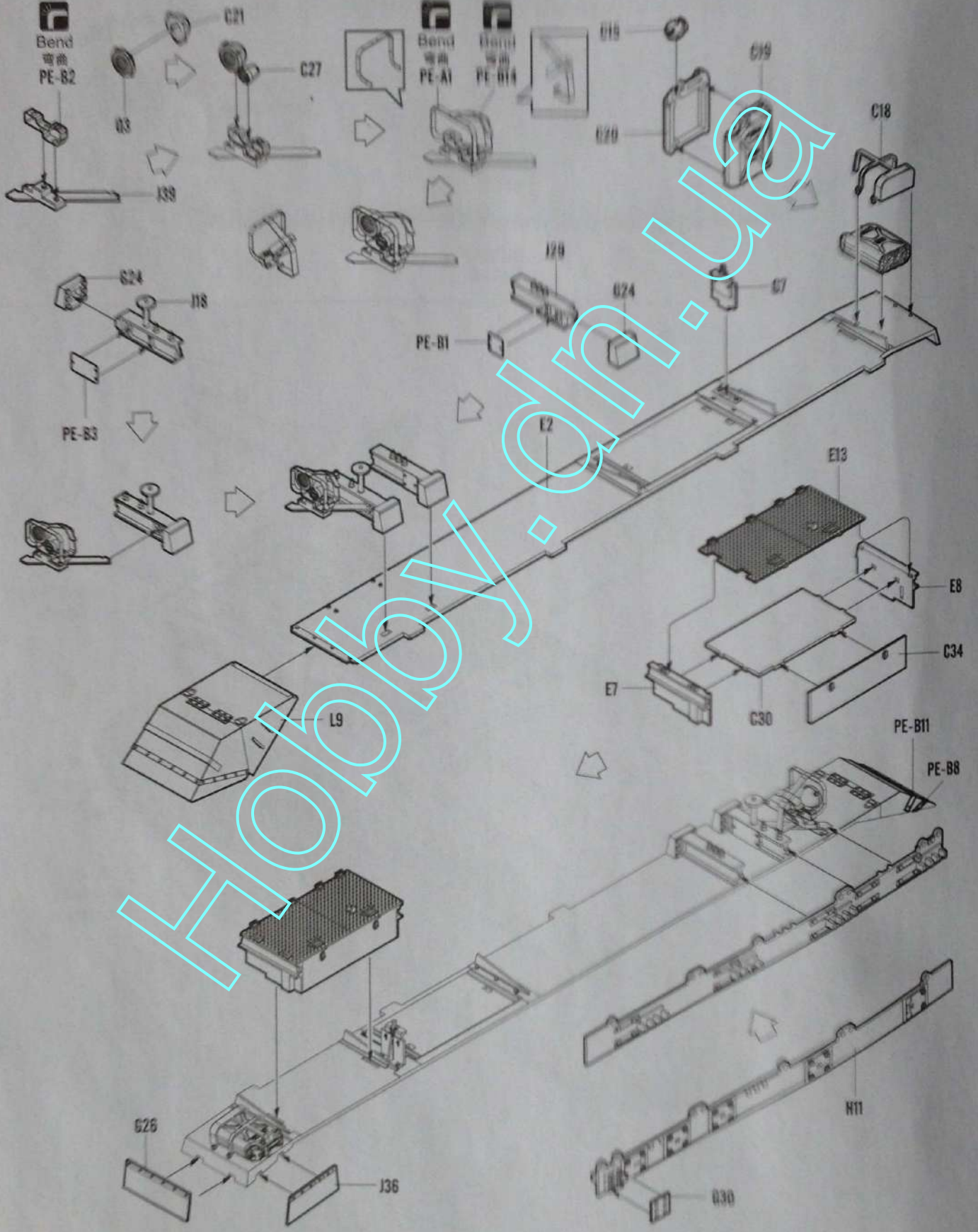


Multi holes
H.P.

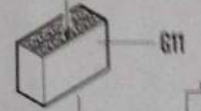
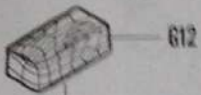
Bend
弯曲
PE-B2

Bend
弯曲
PE-A1

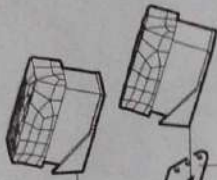
Bend
弯曲
PE-B14



7
STEP

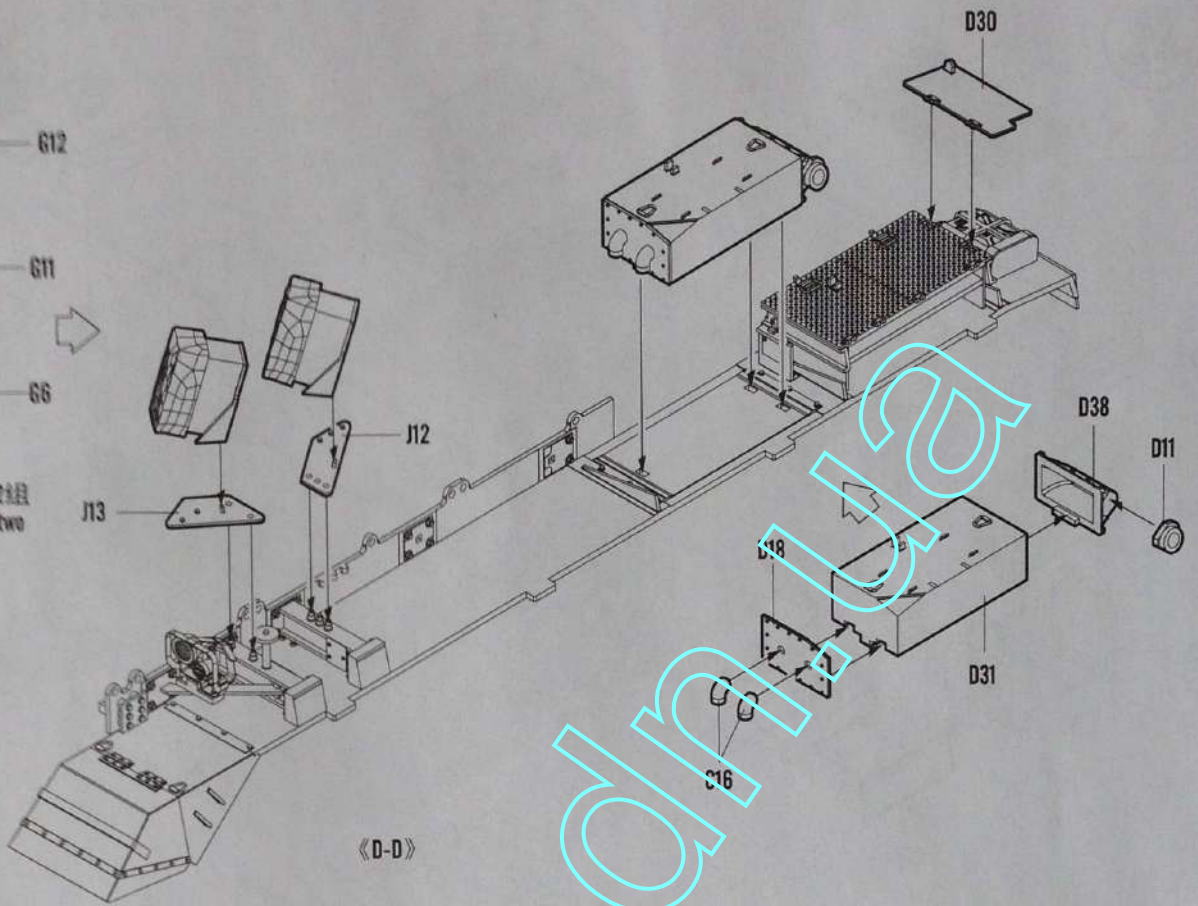


制作2只
Make two



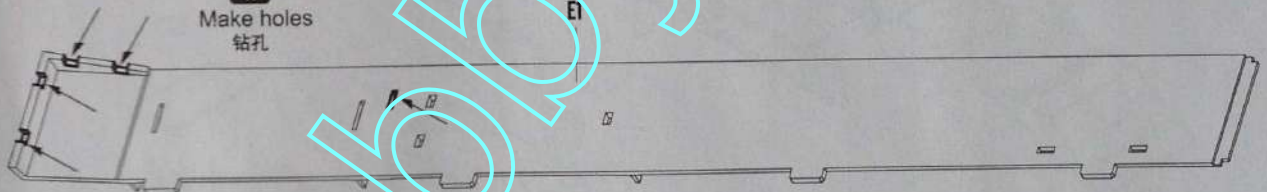
J12

J13



《D-D》

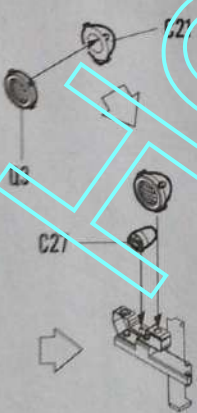
Make holes
钻孔



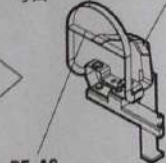
Bend
弯曲
PE-B2



I40

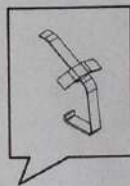


Bend
弯曲
PE-A2

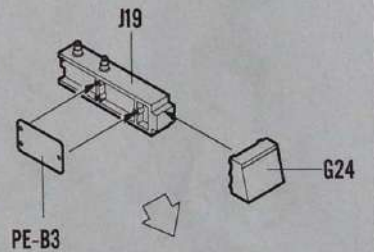
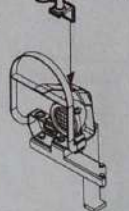


PE-A3

Bend
弯曲
PE-B13

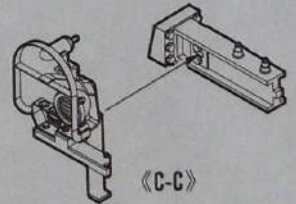
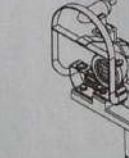
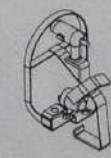


D1

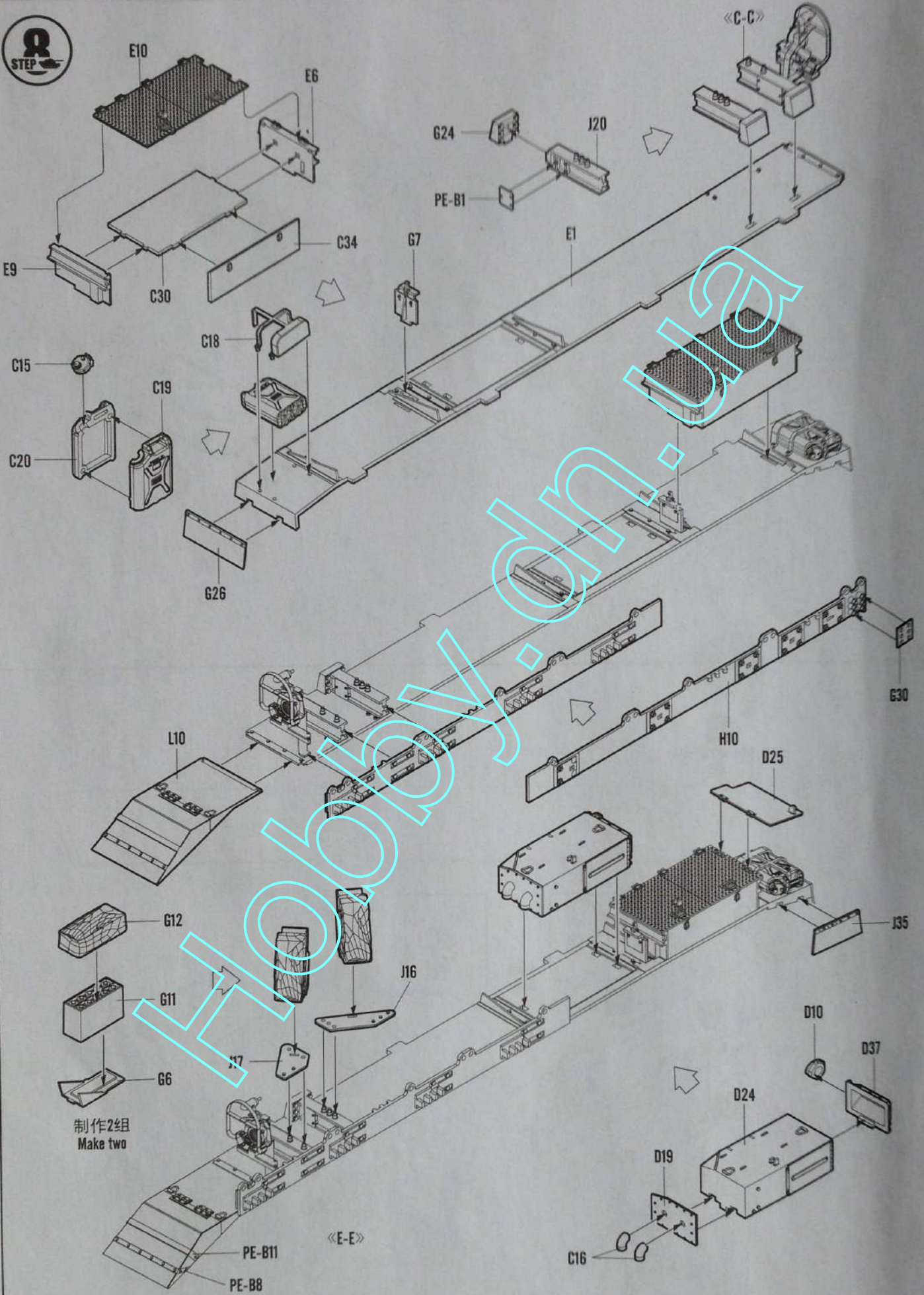


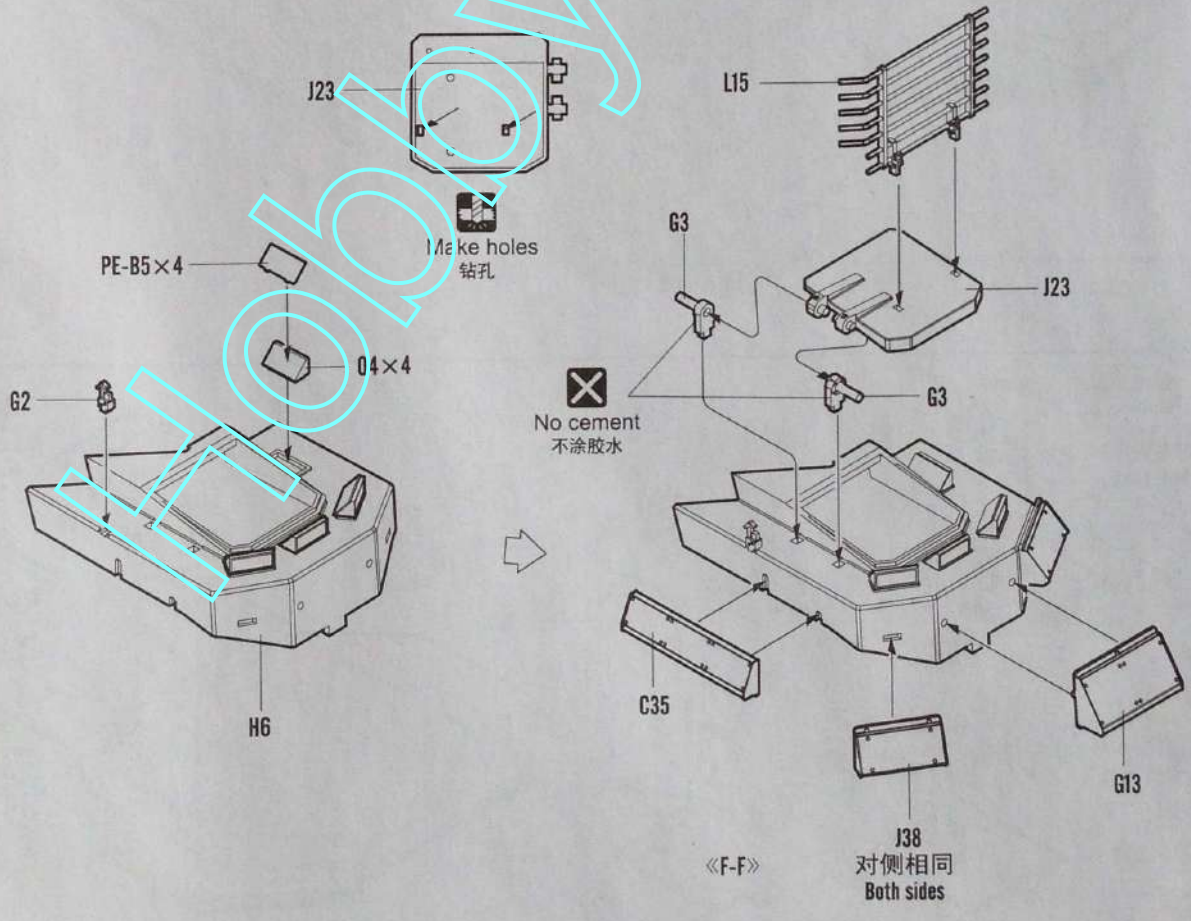
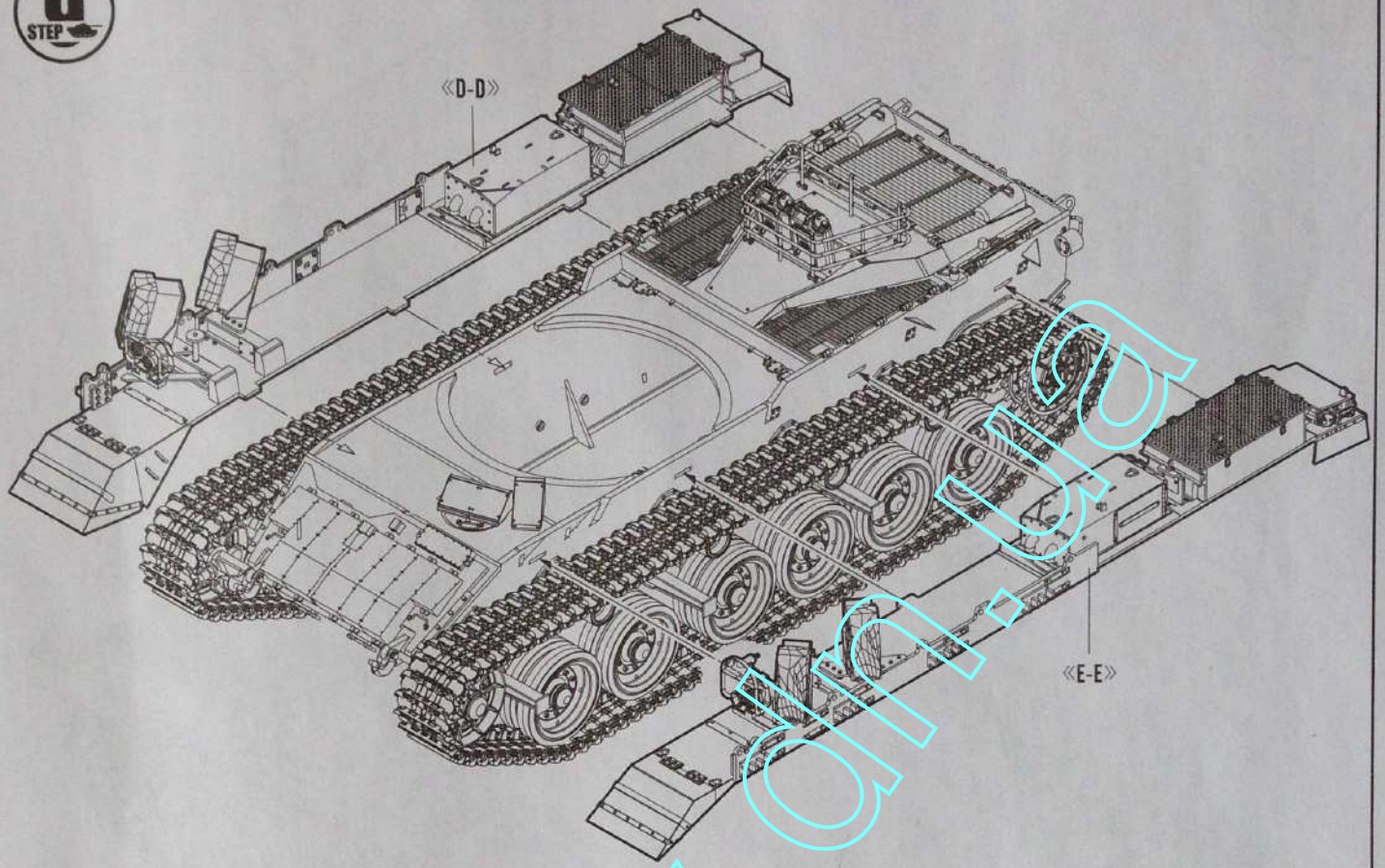
PE-B3

G24

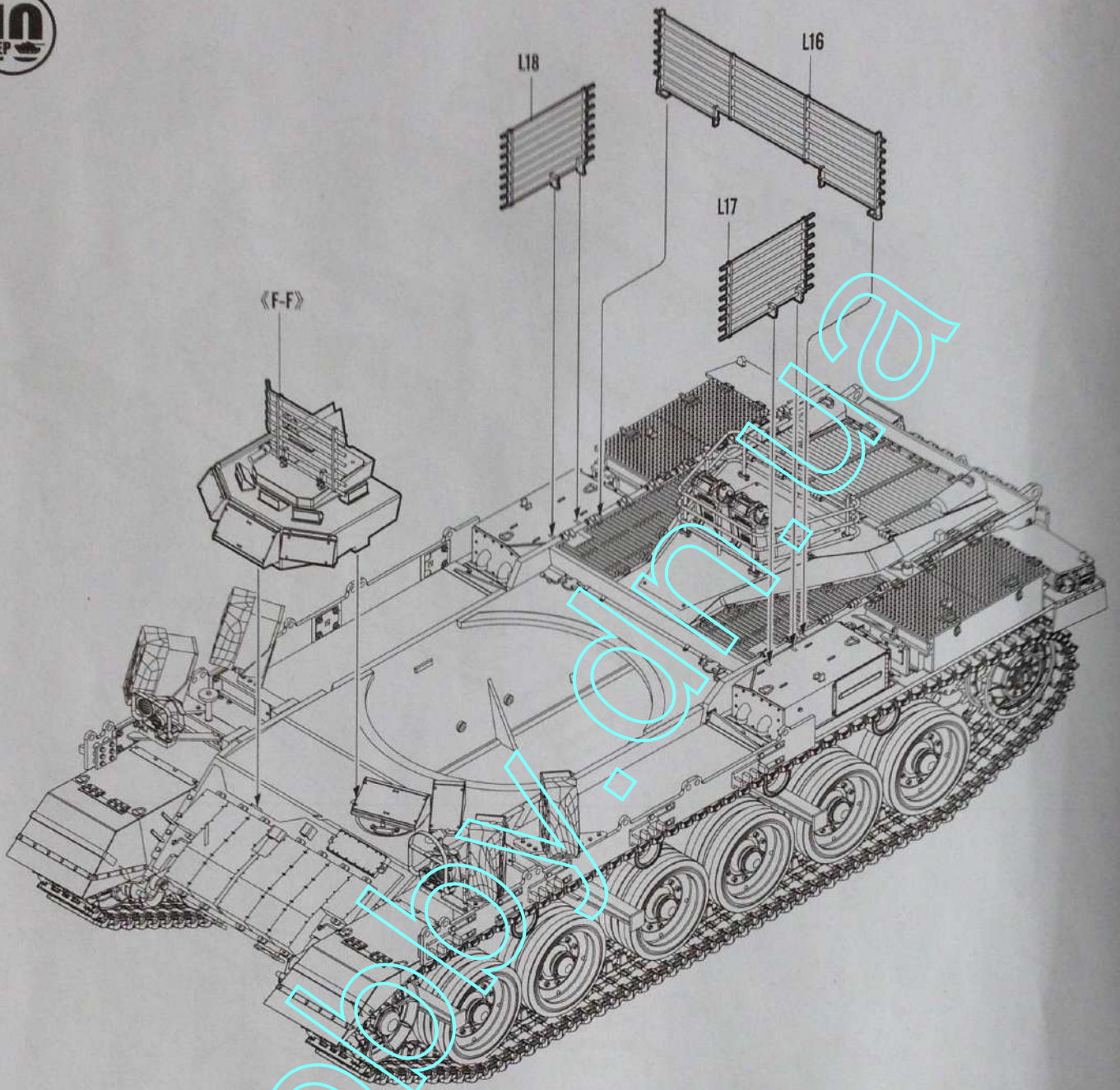


《C-C》

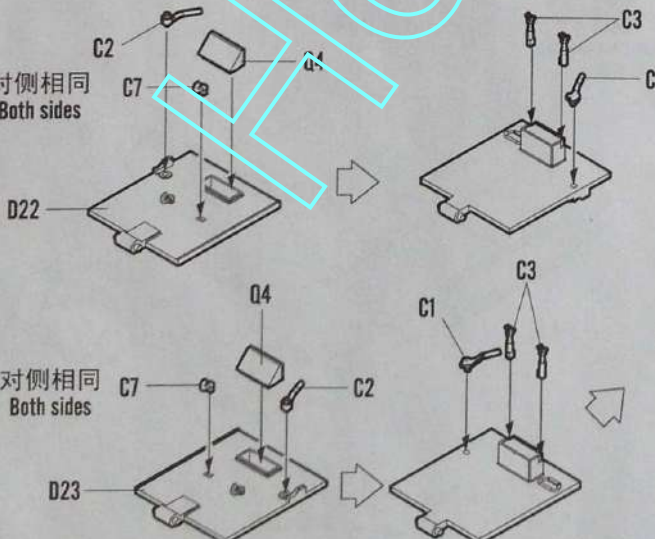




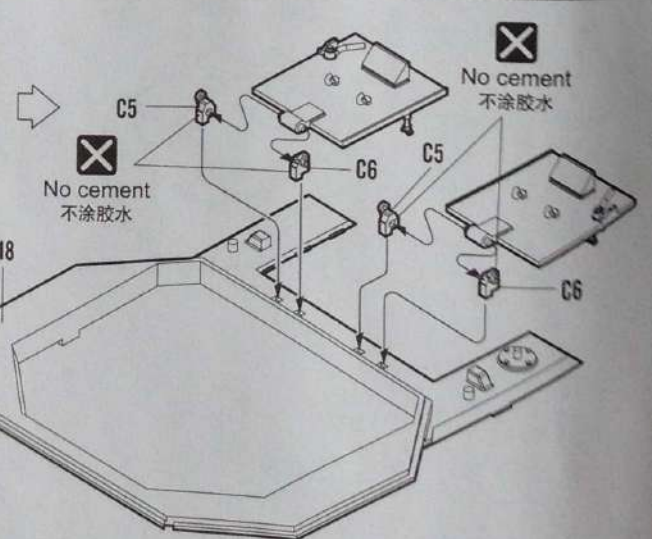
10
STEP



对侧相同
Both sides



对侧相同
Both sides

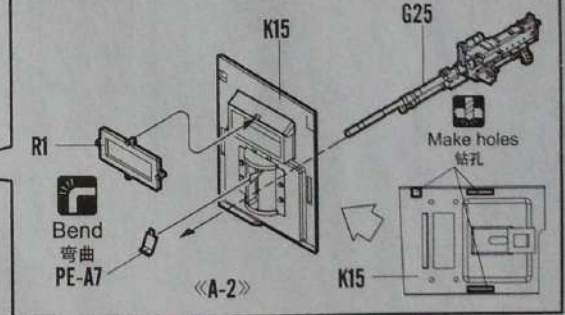
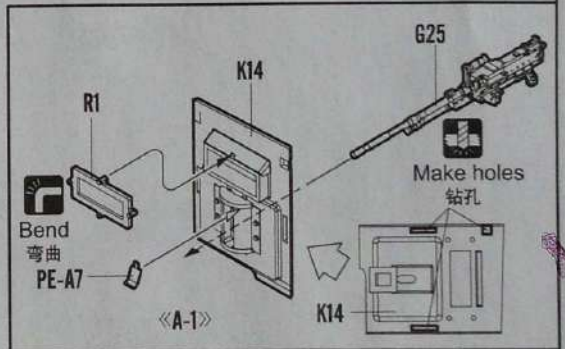
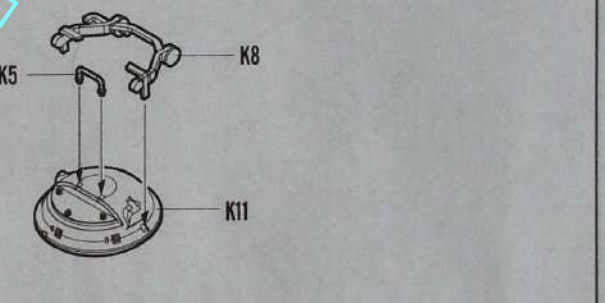
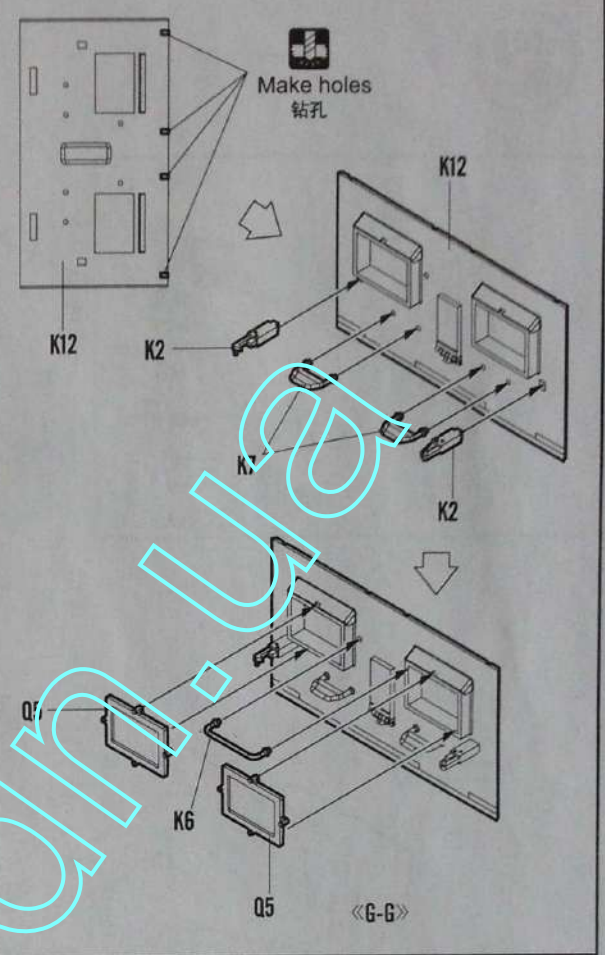
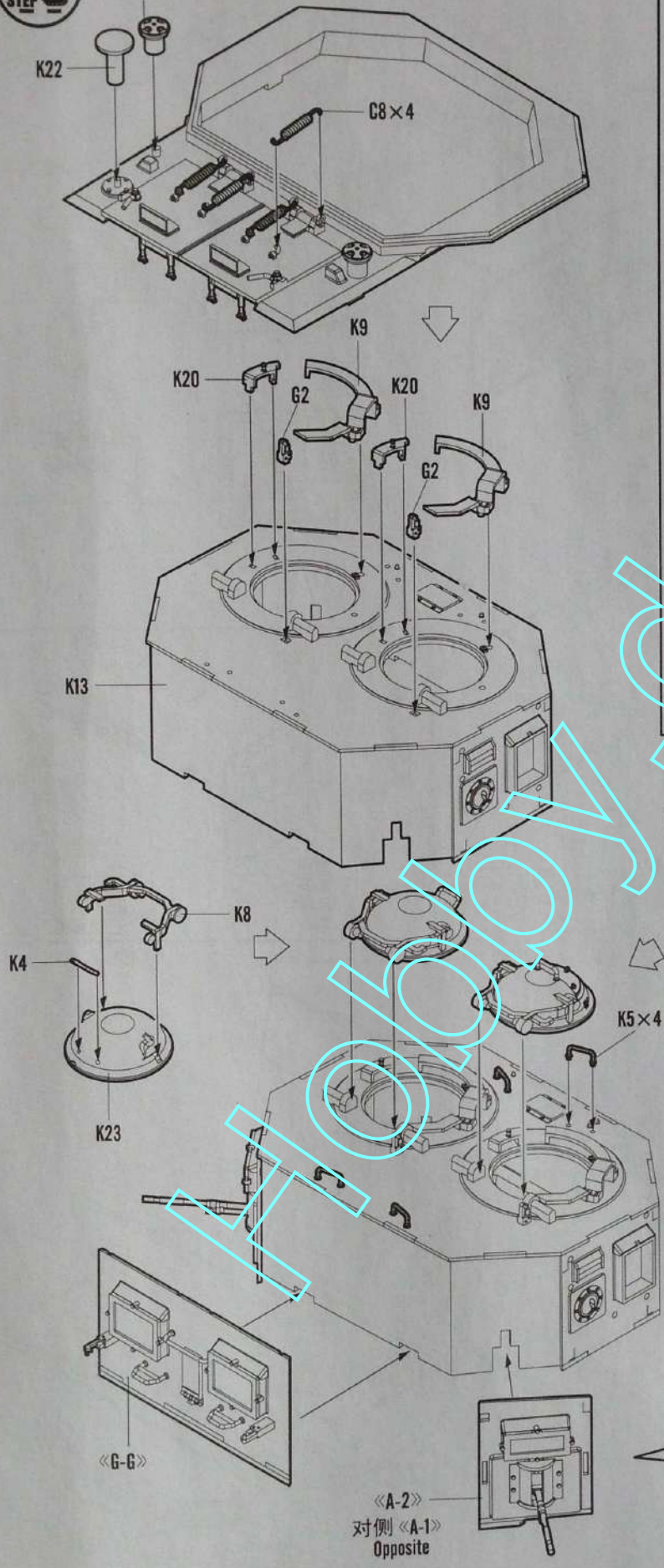


No cement
不涂胶水

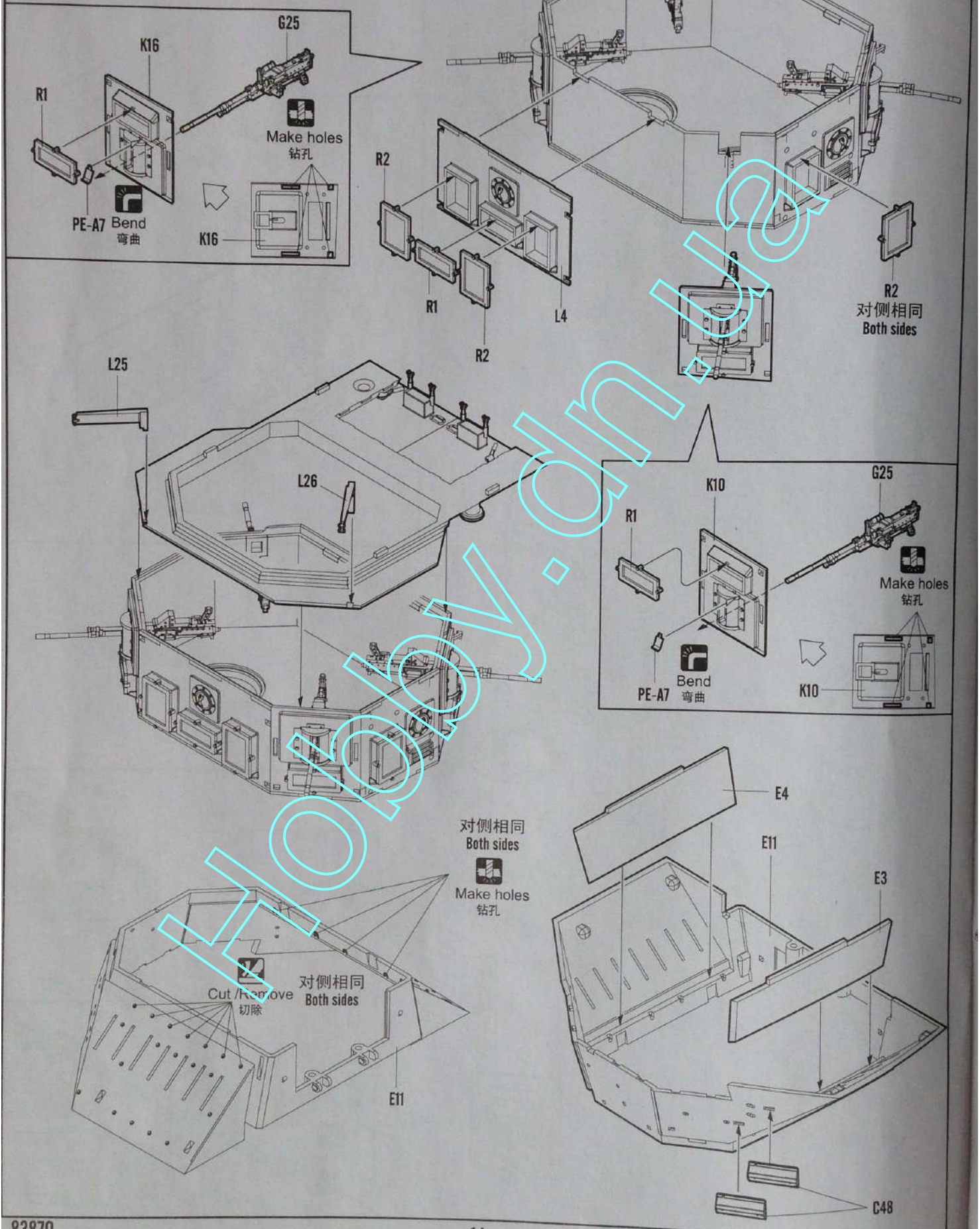
No cement
不涂胶水

11
STEP

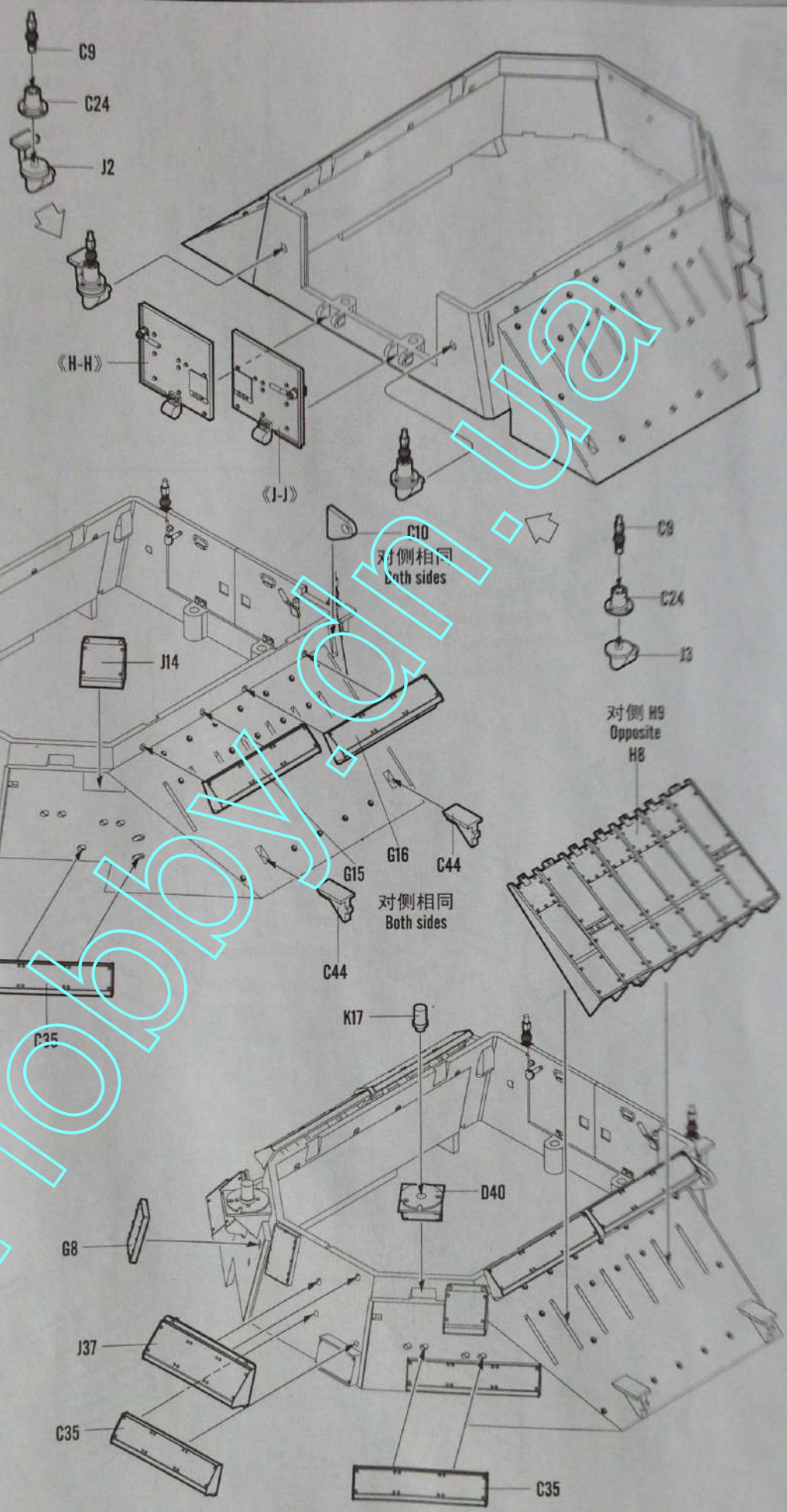
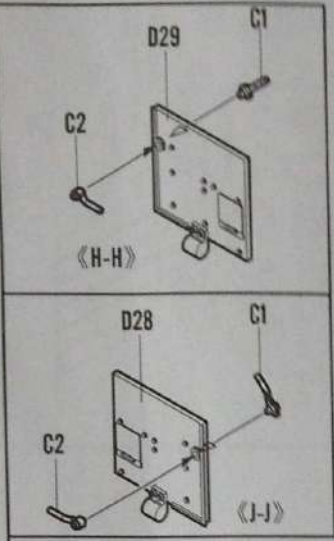
对侧相同
Both sides



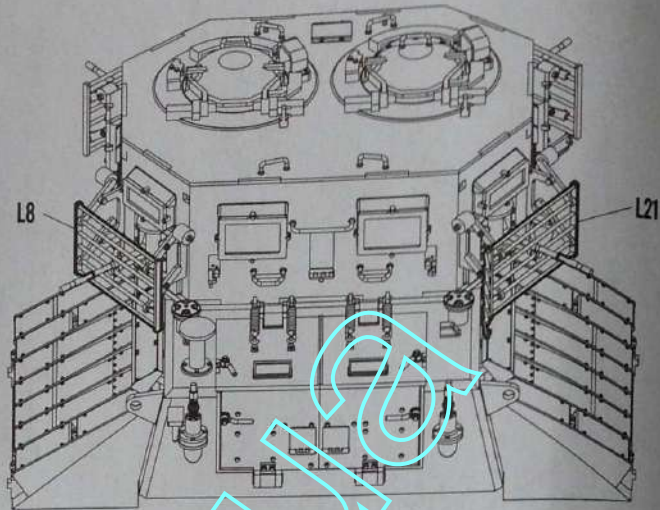
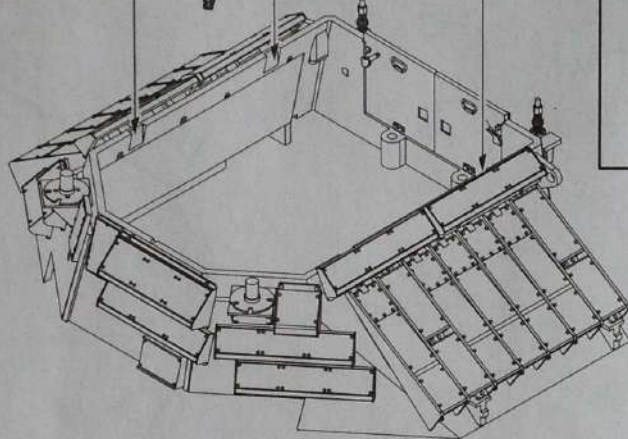
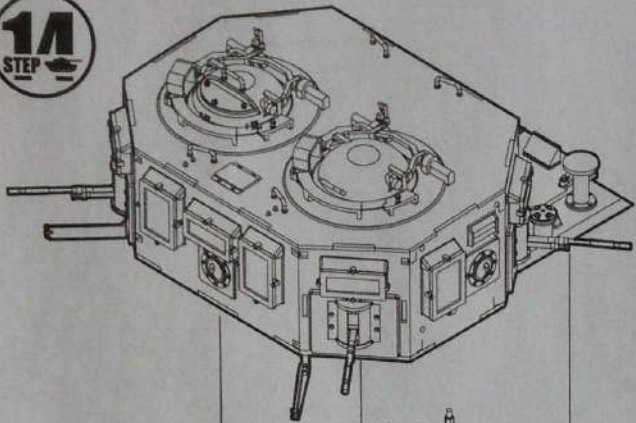
12
STEP



13
STEP



11
STEP

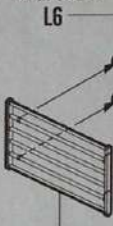


对侧相同
Both sides
L6

对侧相同
Both sides
L22

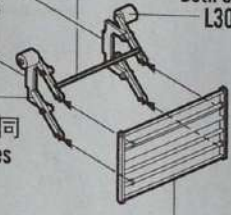
对侧相同
Both sides
L22

对侧相同
Both sides
L30



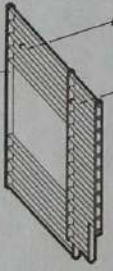
对侧相同
Both sides
L30

L6
对侧相同
Both sides



L8
对侧 21
Opposite

L8
对侧相同
Both sides

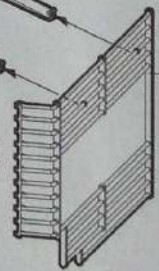


L23

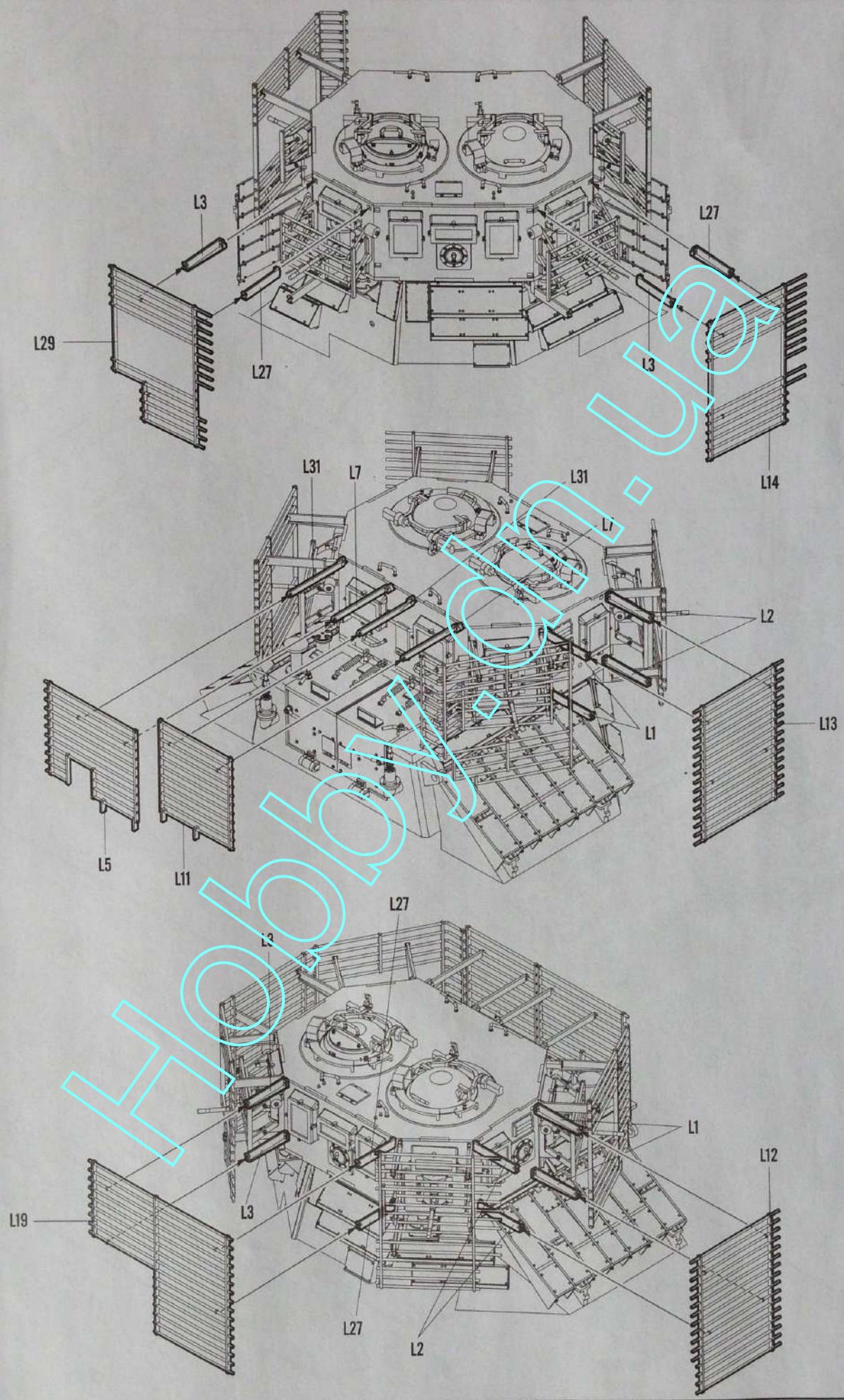
L2

L24

L20



15
STEP



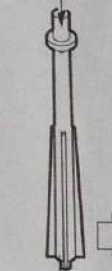
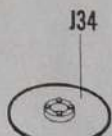
16
STEP



PE-B4 Bend
弯曲



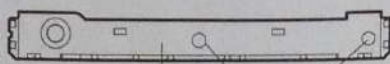
Make holes
钻孔



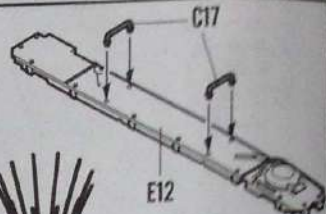
J15



J11



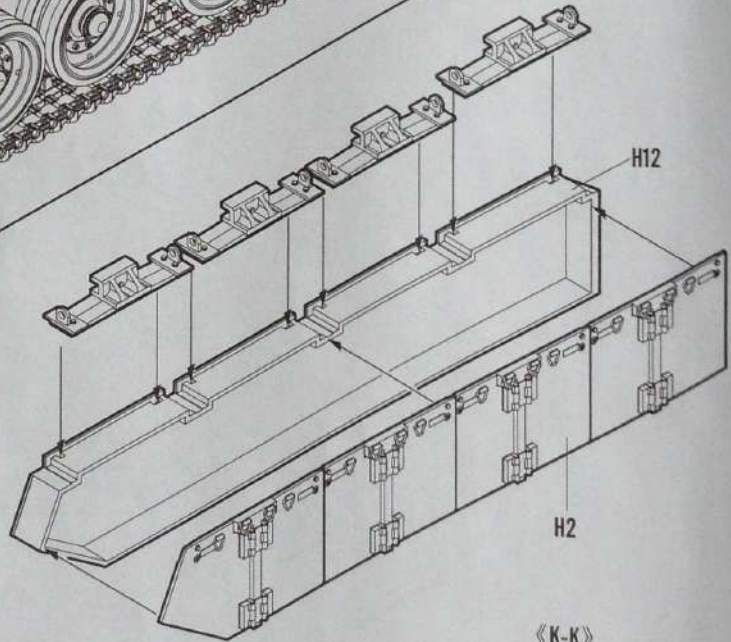
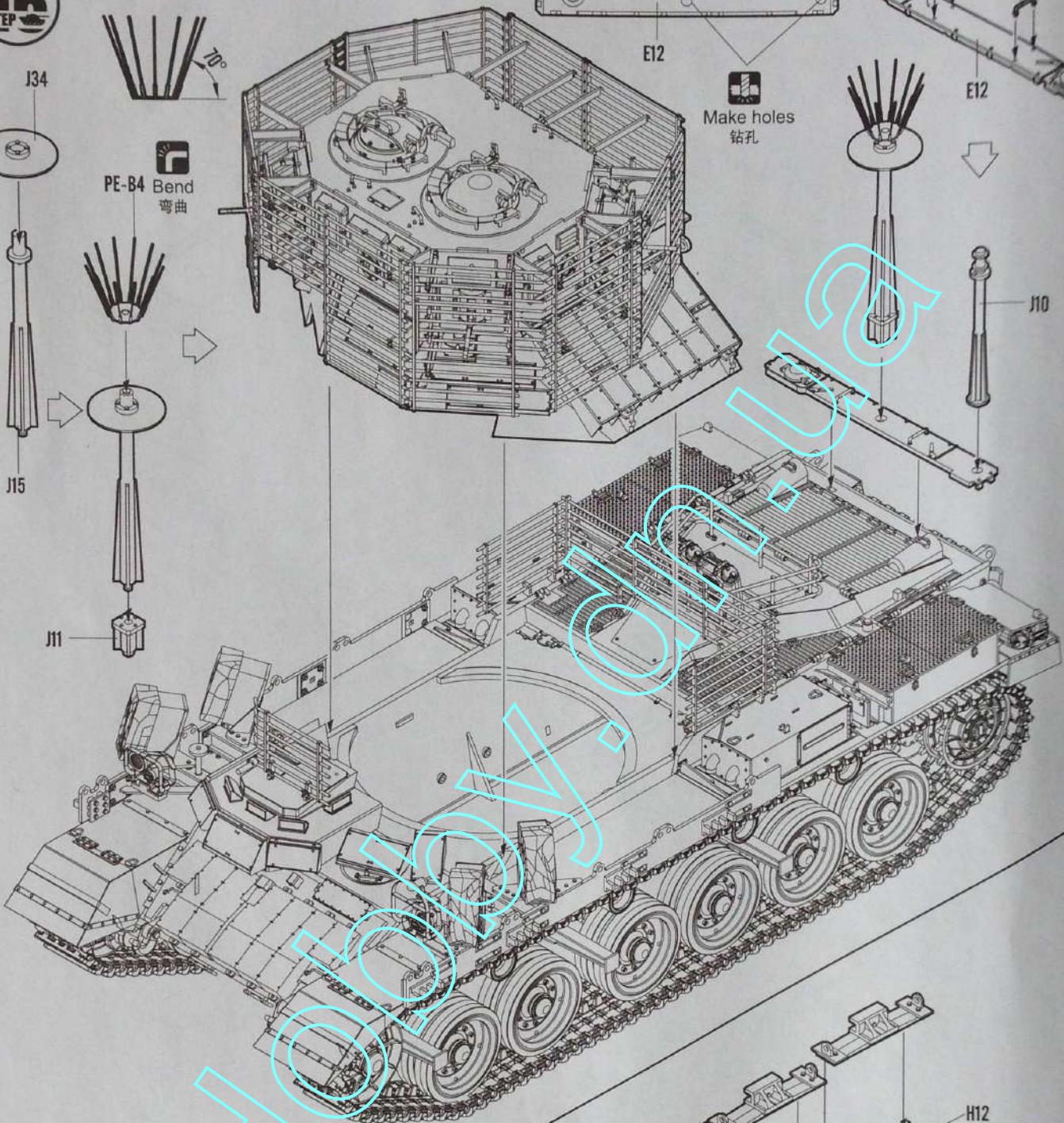
E12



C17

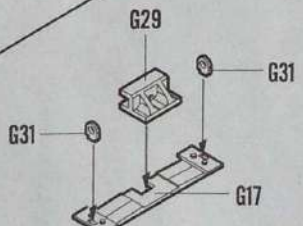


J10



H12

H2



G29

G31

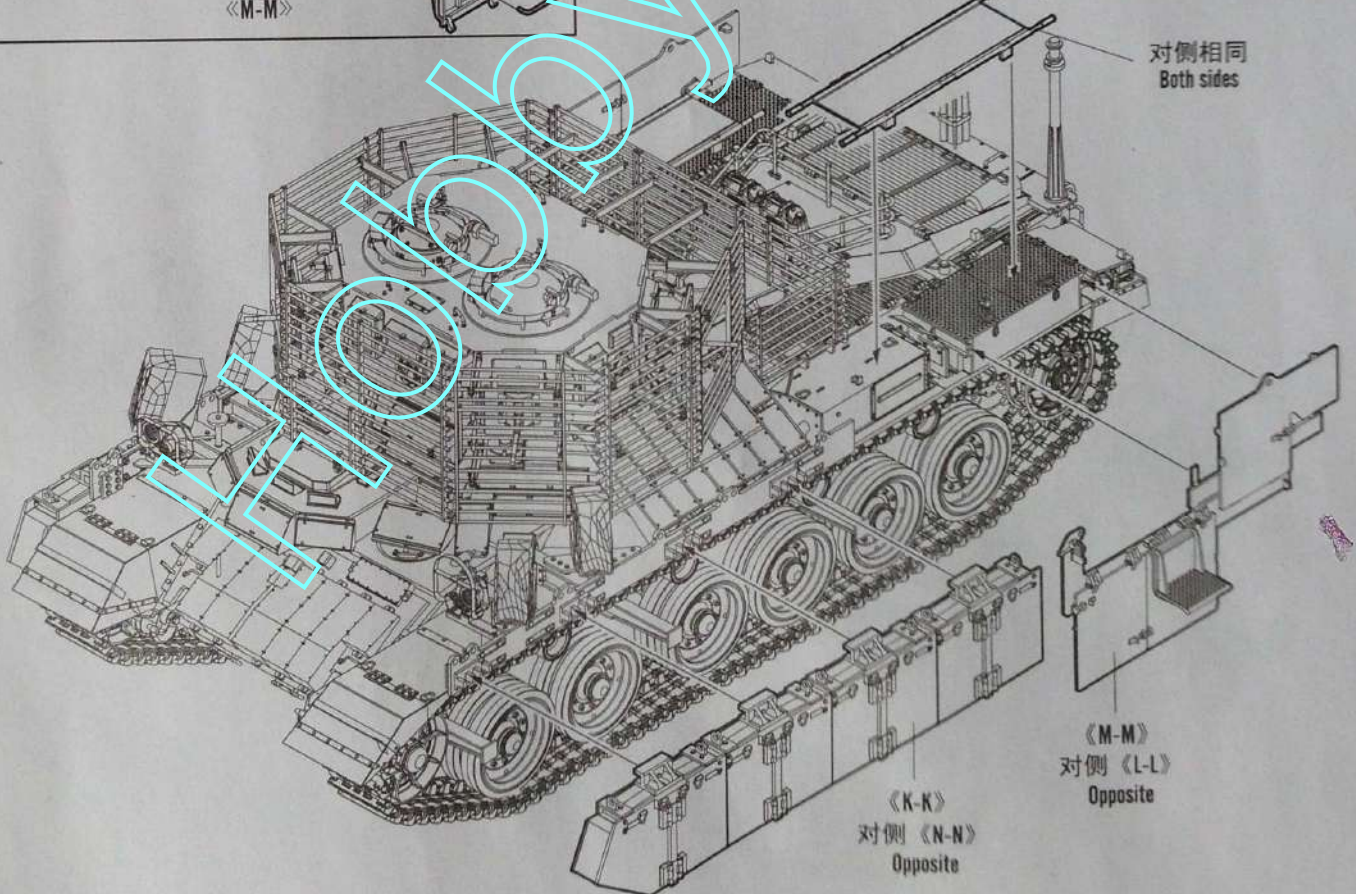
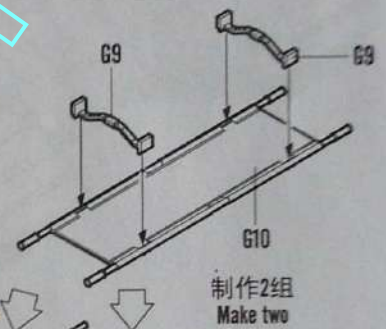
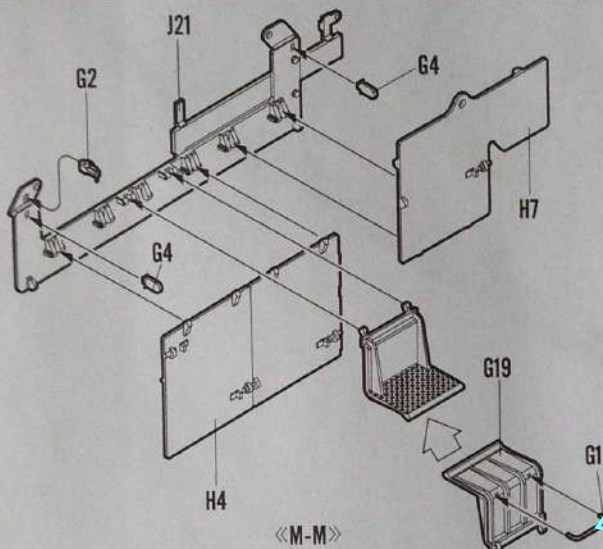
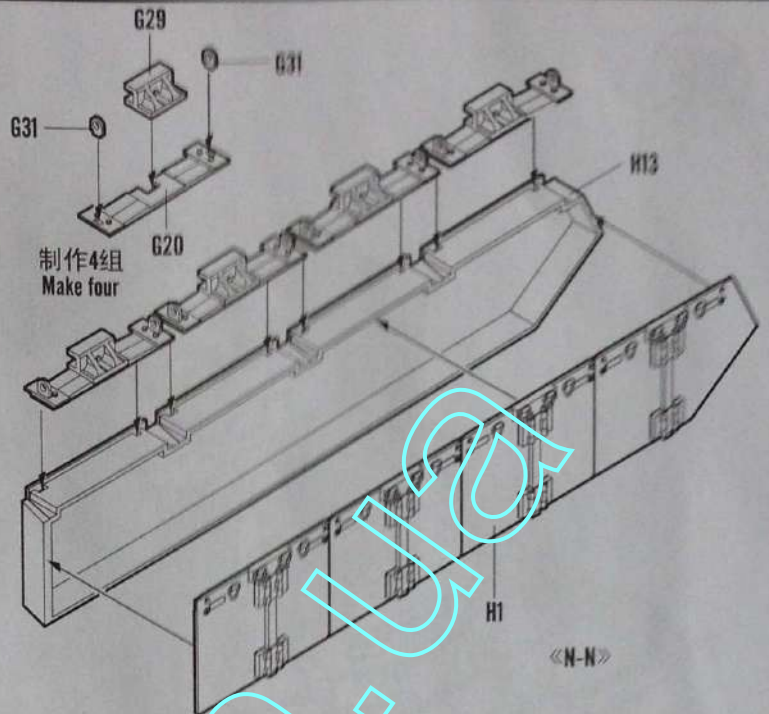
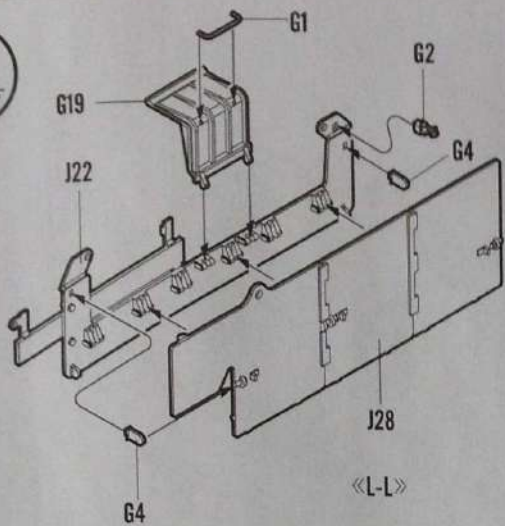
G31

G17

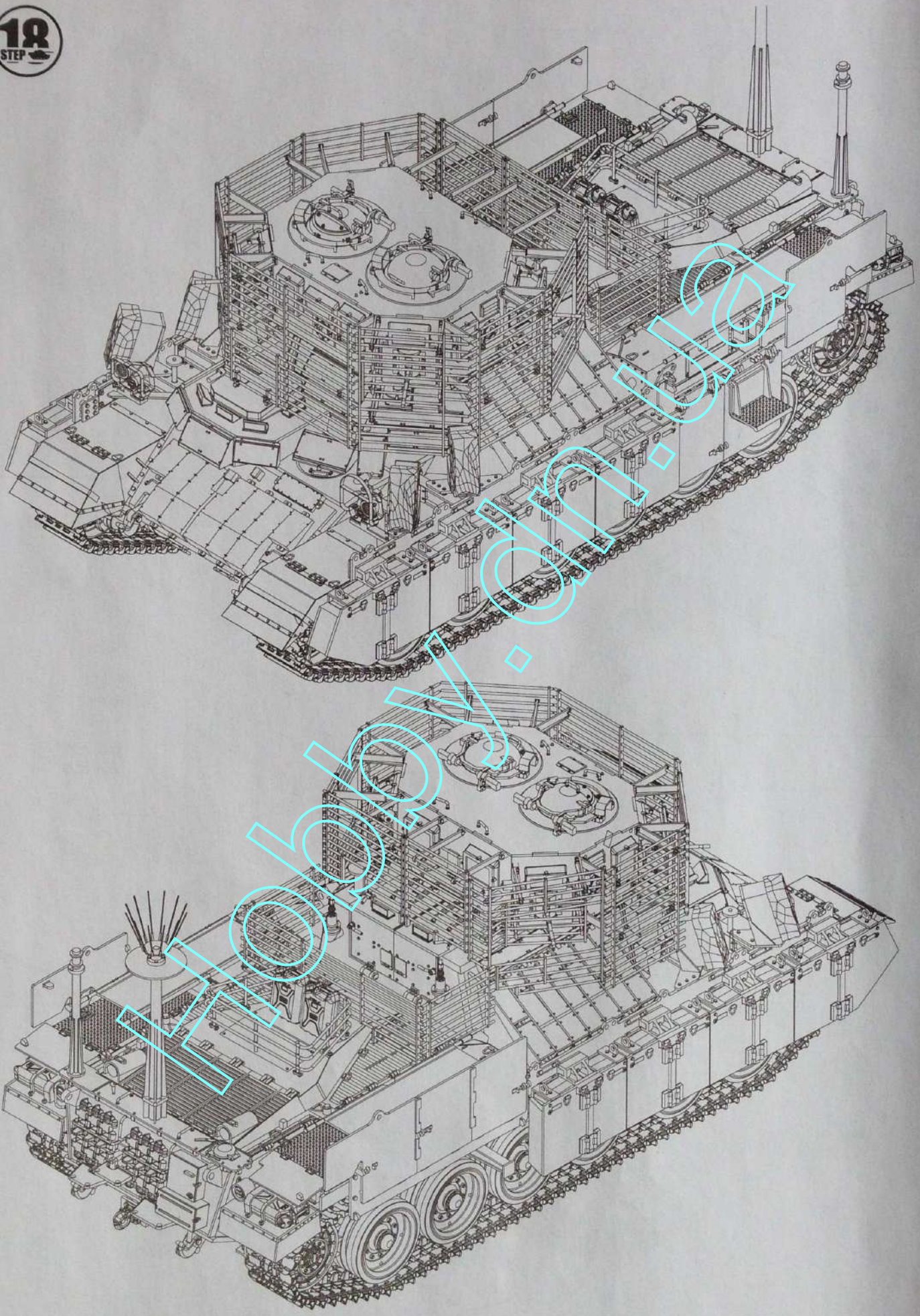
制作4组
Make four

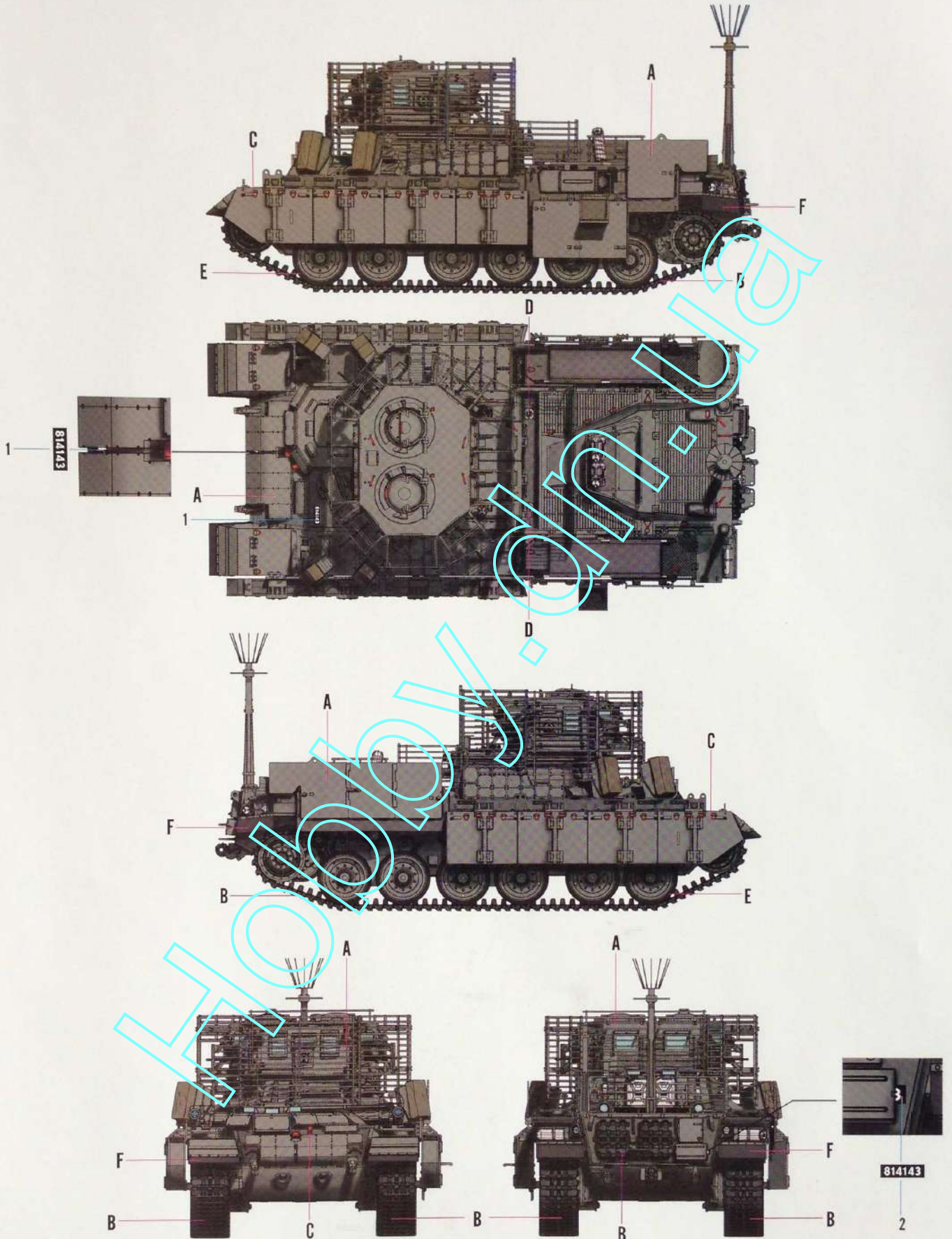
《K-K》

17
STEP



18
STEP





Color	Mr.Hobby	Vallejo	Model Master	Tamiya	Humbrol	Color	Mr.Hobby	Vallejo	Model Master	Tamiya	Humbrol
A 西奈灰 Sinai Gray	H[70] 60 + H[74] 36	--	--	--	--	D 白色 White	H[1] 1	842	1745	XF2	22
B 黑铁色 Steel	H[18] 28	864	1402	--	--	E 胎黑色 Tire Black	H[77] 137	--	--	--	--
C 红色 Red	H[3] 3	908	1503	X7	19	F 消光黑 Flat Black	H[12] 33	950	1749	XF1	33