



84817

WW2 LCM 3

1/48

LCM3型登陆艇

PLEASE READ BEFORE OPERATION!

- * Tools recommended as below: (Not included)
Adhesives; Paints; Side Cutters; Sharp Edged Pliers; Modeling Knife; Modeling File; Nippers; Drill; Scissors; Sand Paper; Soft Cloth; Cyanoacrylate Glue.
- * Make sure to read this instruction listed below before assembling.
- * The kit contains the small parts, they can be dangerous if swallowed by mistake, so keep them away from reach of children.
- * Cut the all parts off carefully and remove the waste parts into the garbage can.
- * More caution and care should be needed for cutting and handling the photo etched parts.
- * Make attention that some parts should be attached the decal when assembled.
- * During assembling, please tear up and throw away the plastic bags, or may cause the dangerous if wearing over head by children's mistake.
- * When using the adhesives and paints, please do not use them in the closed room or near the fire, also must be very careful to protect your eyes, face and clothes.
- * Adult supervised when assembled by children under 14 years old.

装配前请仔细阅读:

- * 推荐使用的模型工具(请自备):
专用模型胶水, 专用模型油漆, 水口剪刀, 长咀钳, 刀片, 锉刀, 镊子钳, 钻, 剪刀, 软布, 砂纸, 瞬间快干胶等。
- * 用水口剪刀或刀片小心切下所有塑胶零件和蚀刻片零件, 不要遗失小零件。
- * 切取蚀刻片时应特别注意防止利边划伤手指。
- * 用模型锉刀小心锉平所有零件表面的注射浇口。
- * 用适量的强力快干胶水粘合蚀刻片零件和金属轴, 切忌过量, 否则可能导致可动零件被粘住。
- * 注意某些零件表面需在装配时同步贴水上贴纸。
- * 制作时应远离幼儿并将包装袋及时收妥, 谨防小孩玩耍而引起意外。



cyanoacrylate glue
强力胶



weight
配重



make hole
钻孔



cut / remove
切除



option
选择



no cement
不涂胶水



decal
贴纸



bend
弯曲

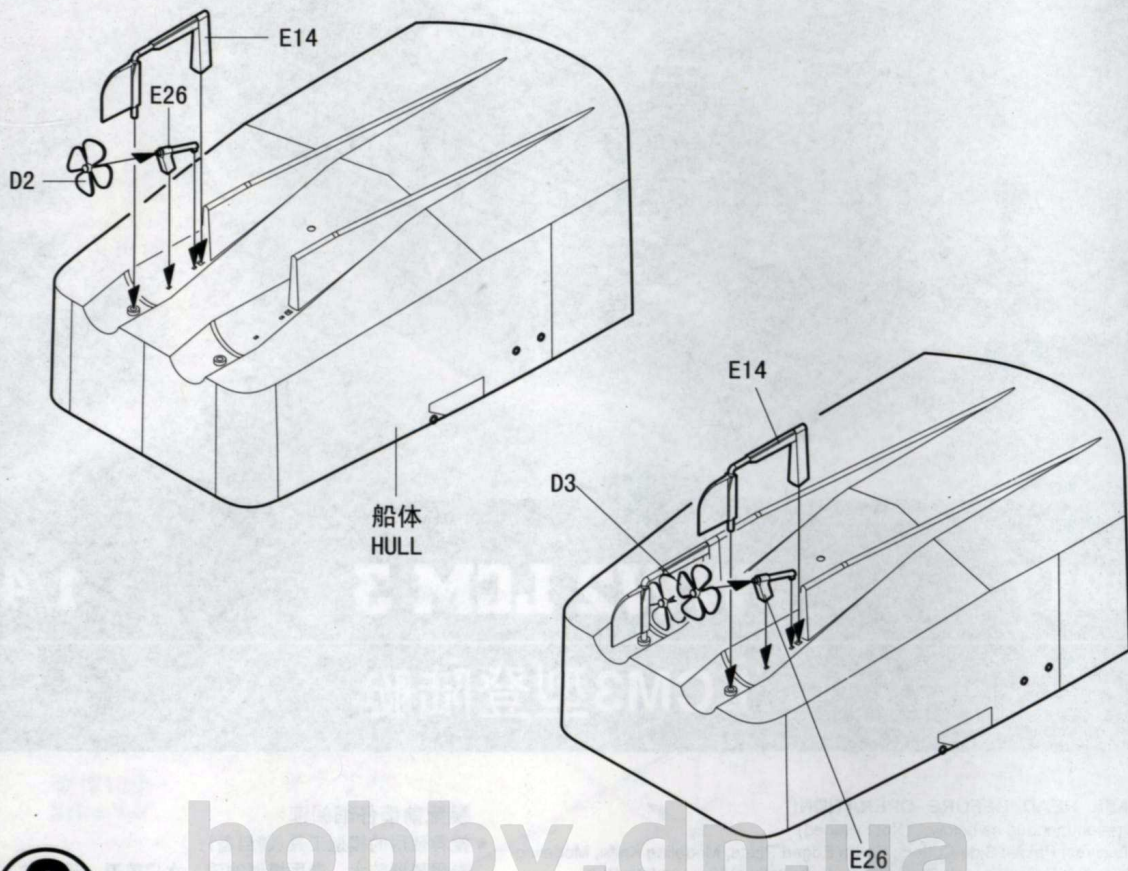
The way to apply the decals

1. Cut off the decal from the decal paper and put it into the warm water 40°C for 10 seconds.
2. Take the decal from the water and put it on a piece of clean cloth.
3. Remove the decal slowly from the paper to the targeted location by a wet finger.
4. Use a piece of dry and soft cloth to press it gently on the decal until it getting dry and no bubble existing.

水贴纸的使用方法:

- 一. 把相关的印花从水贴上剪下, 放入40°C左右的温水中浸10秒。
- 二. 然后将印花放在干净的布上。
- 三. 拿上印花纸板, 手指蘸水将印花移到适当的位置。
- 四. 用软干布轻压印花直至水干, 气泡消失。

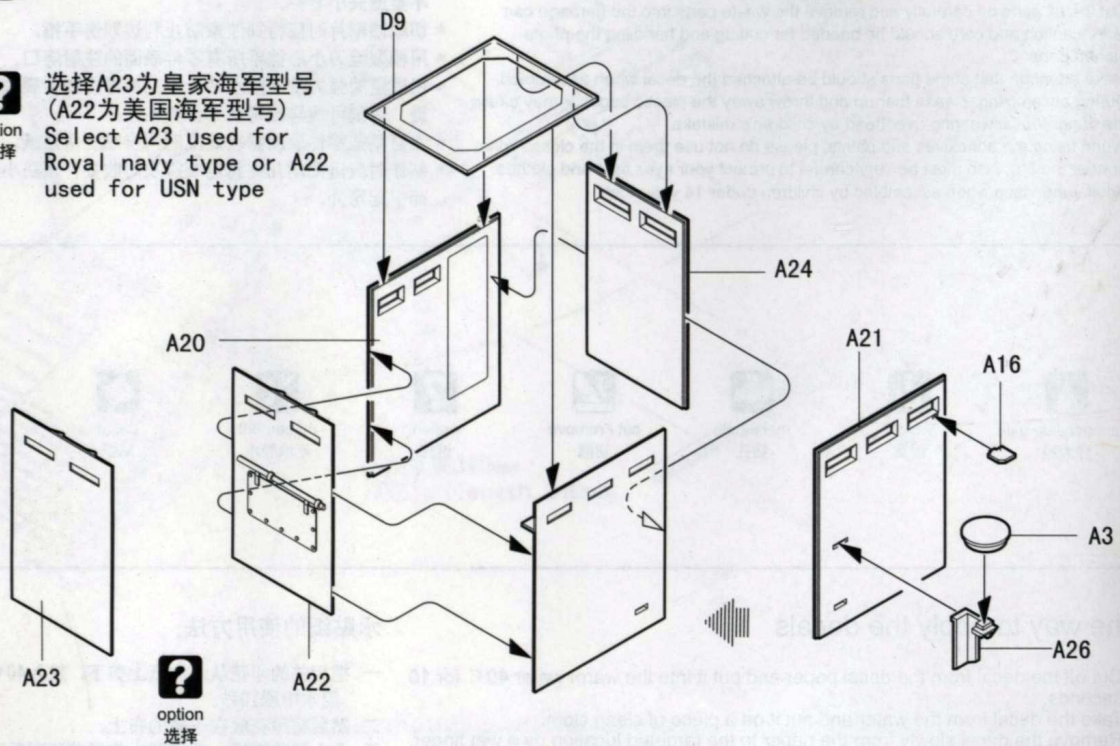
1
STEP



2
STEP

?
option
选择

选择A23为皇家海军型号
(A22为美国海军型号)
Select A23 used for
Royal navy type or A22
used for USN type



?
option
选择

3
STEP

?
option
选择

可选用E1取代E25。
Use E1 in place of E25.

E1

E25

E25

D1

E25

E25

E25

船底
Hull

A29

可动
Rotatable

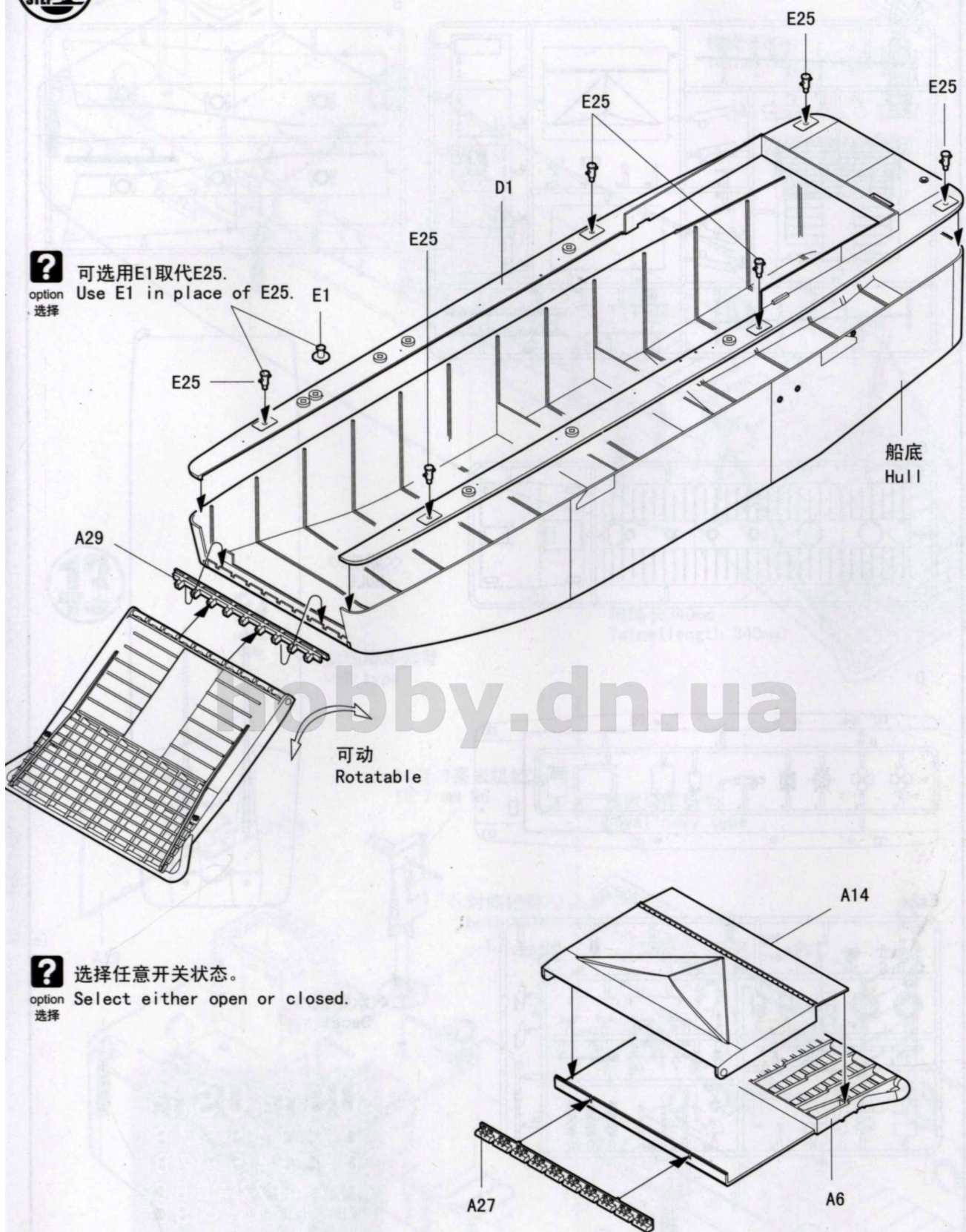
?
option
选择

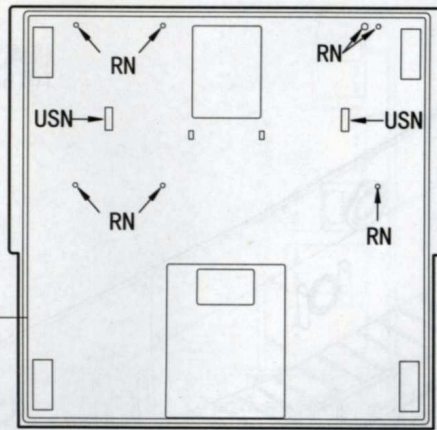
选择任意开关状态。
Select either open or closed.

A14

A27

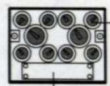
A6





选择安装美国海军型号或皇家海军型号，
如安装美国海军型号，请开孔USN
如安装皇家海军型号，请开孔RN
Select to open holes for either
USN type or RN type.

黑色
Black



D5

E15

A5

D10

A2

E15

E8

E8

A15

C2

E8

E8

E8

E8

A4



no cement
不涂胶水

D8

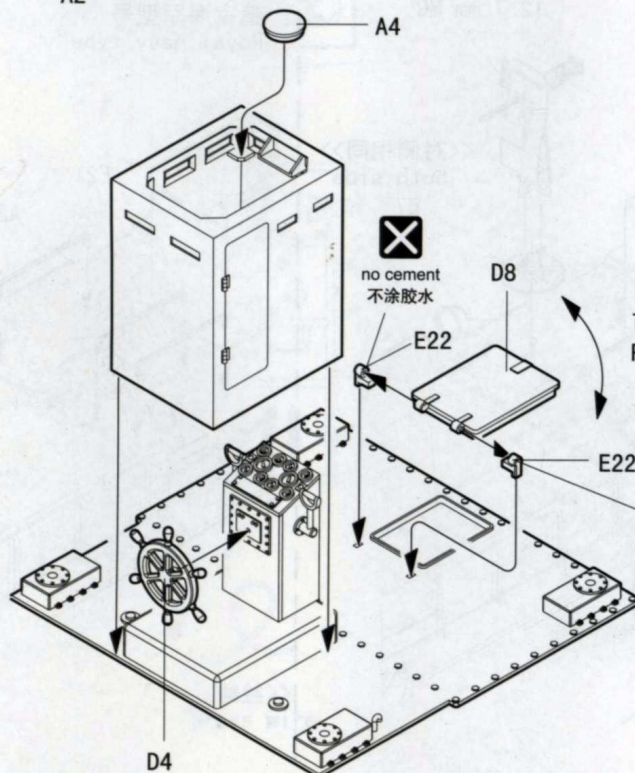
可动
Rotatable

E22

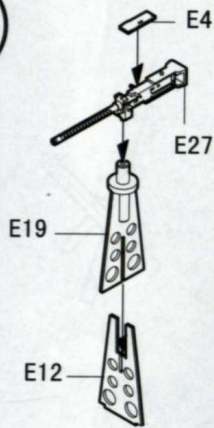


no cement
不涂胶水

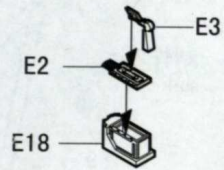
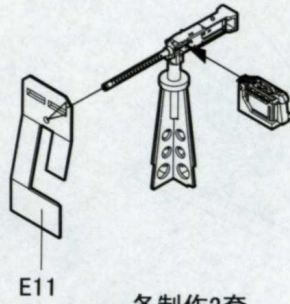
D4



5
STEP



<<12.7毫米机枪>>
12.7mm MG

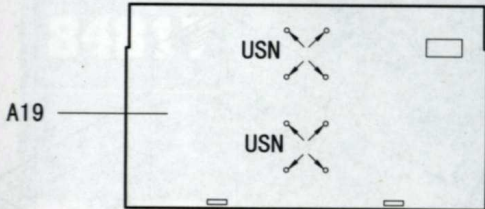


各制作2套
Make two each

6
STEP

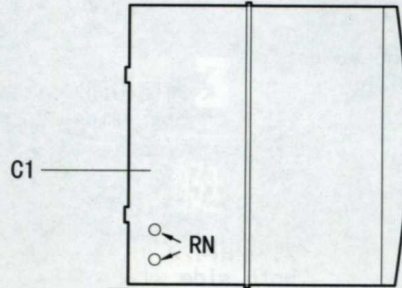
make hole
钻孔

美国海军型开定位孔
Open holes for USN type



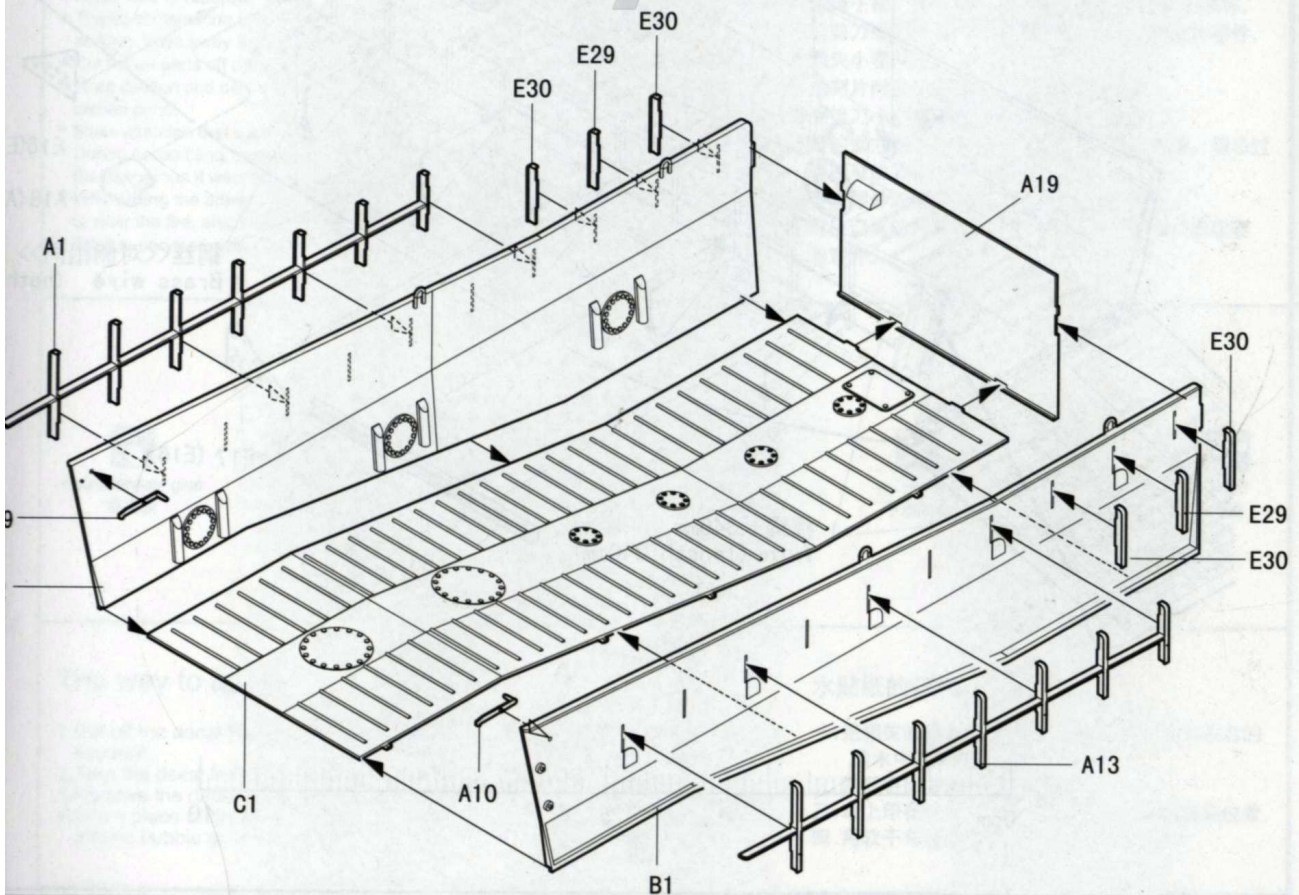
make hole
钻孔

开定位孔(皇家海军型号)
Open holes for Royal navy type

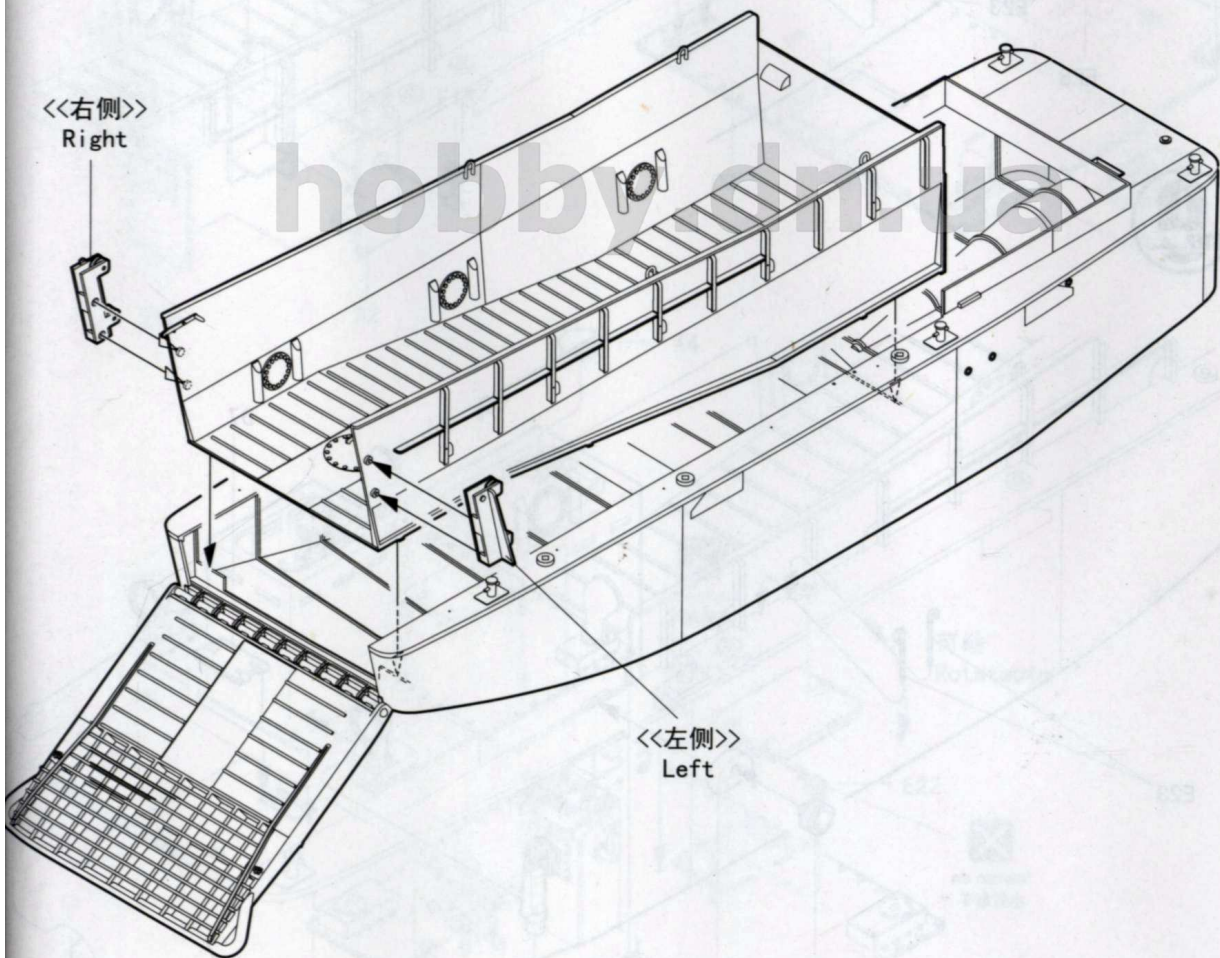
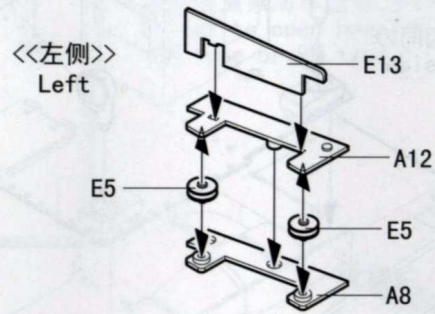
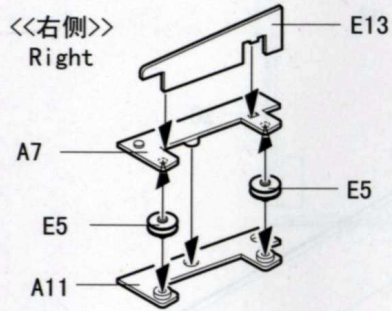


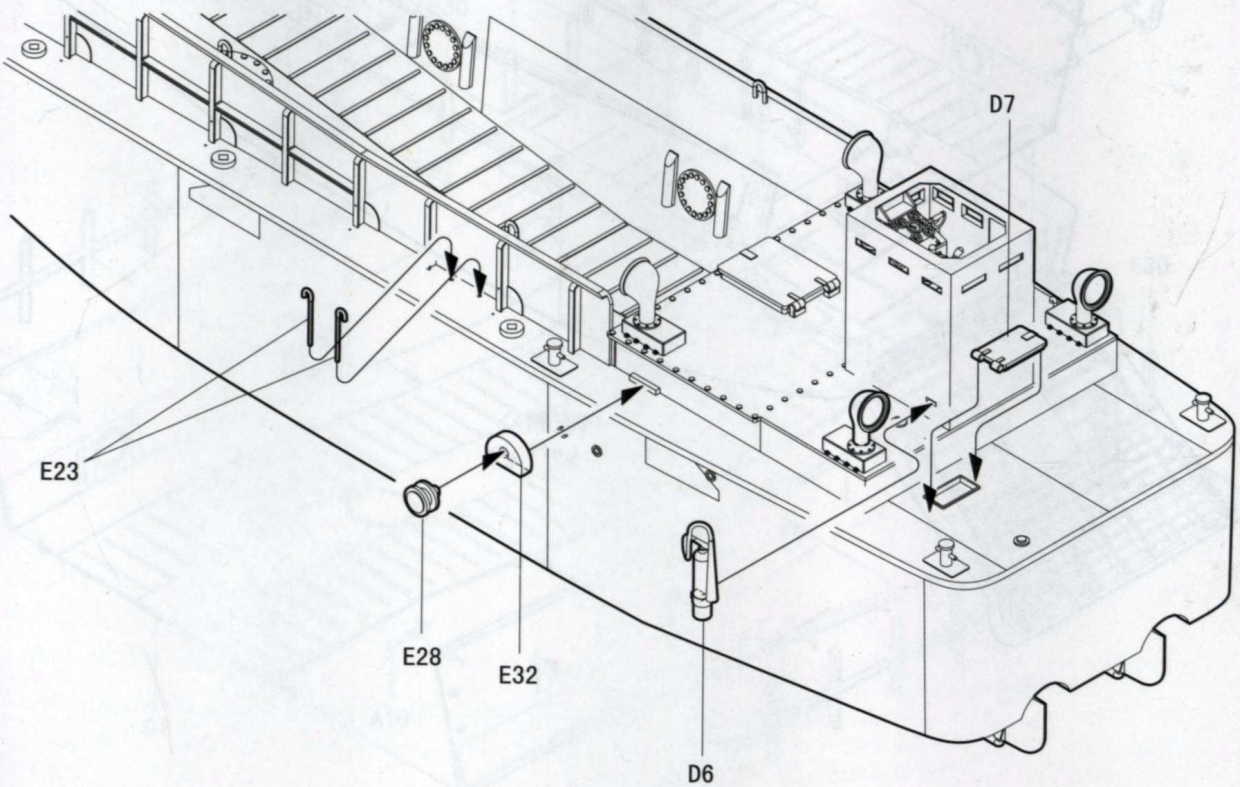
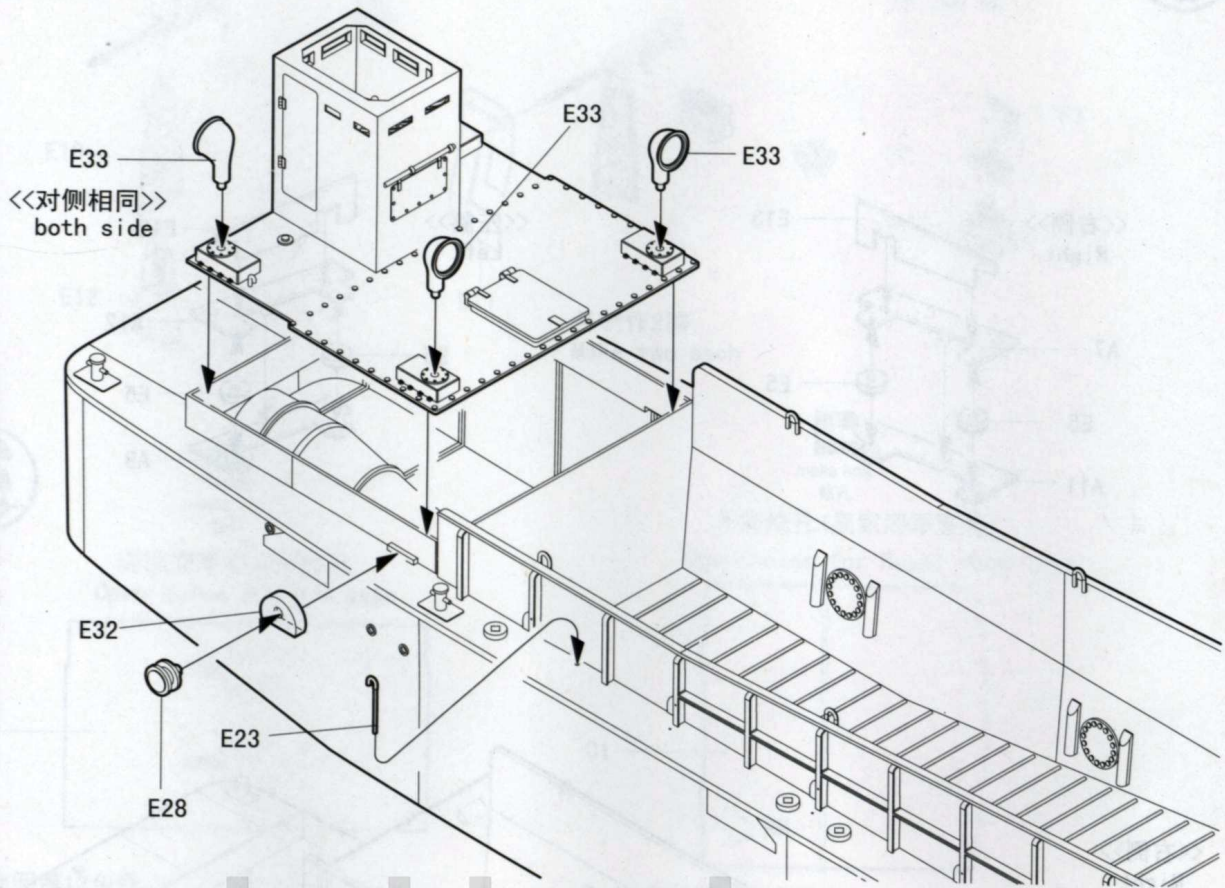
组装参阅第13步骤。
Please refer to process 13 when attaching ladder.

组装参阅第13步骤。
Please refer to process 13 when attaching ladder.



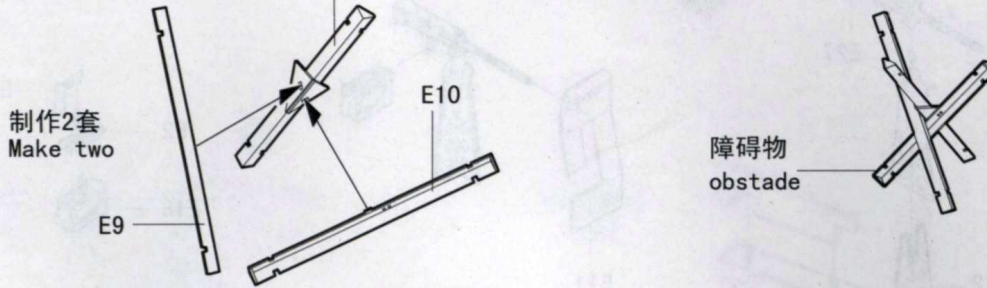
7
STEP





10
STEP

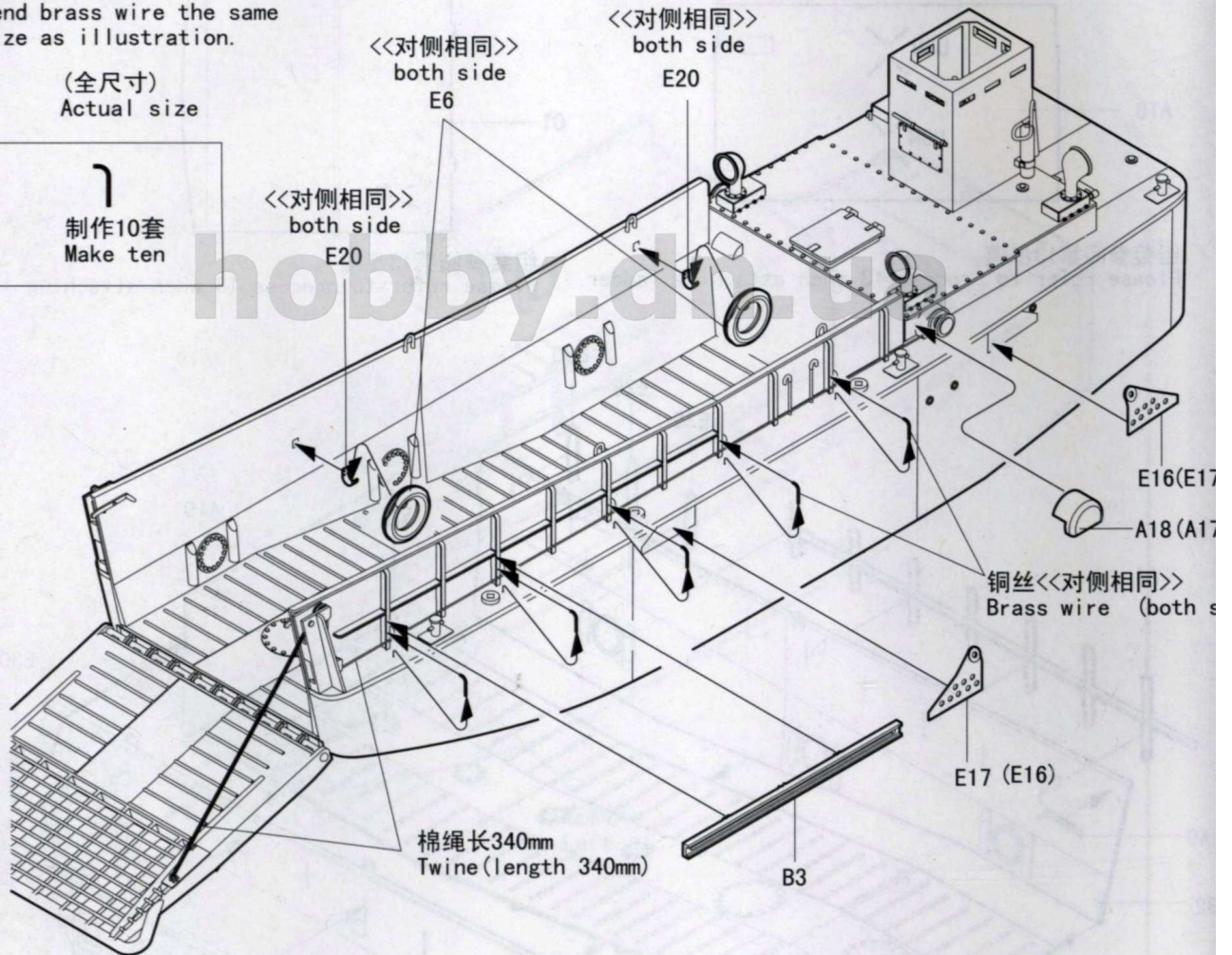
德军海滩障碍物
German beach obstades



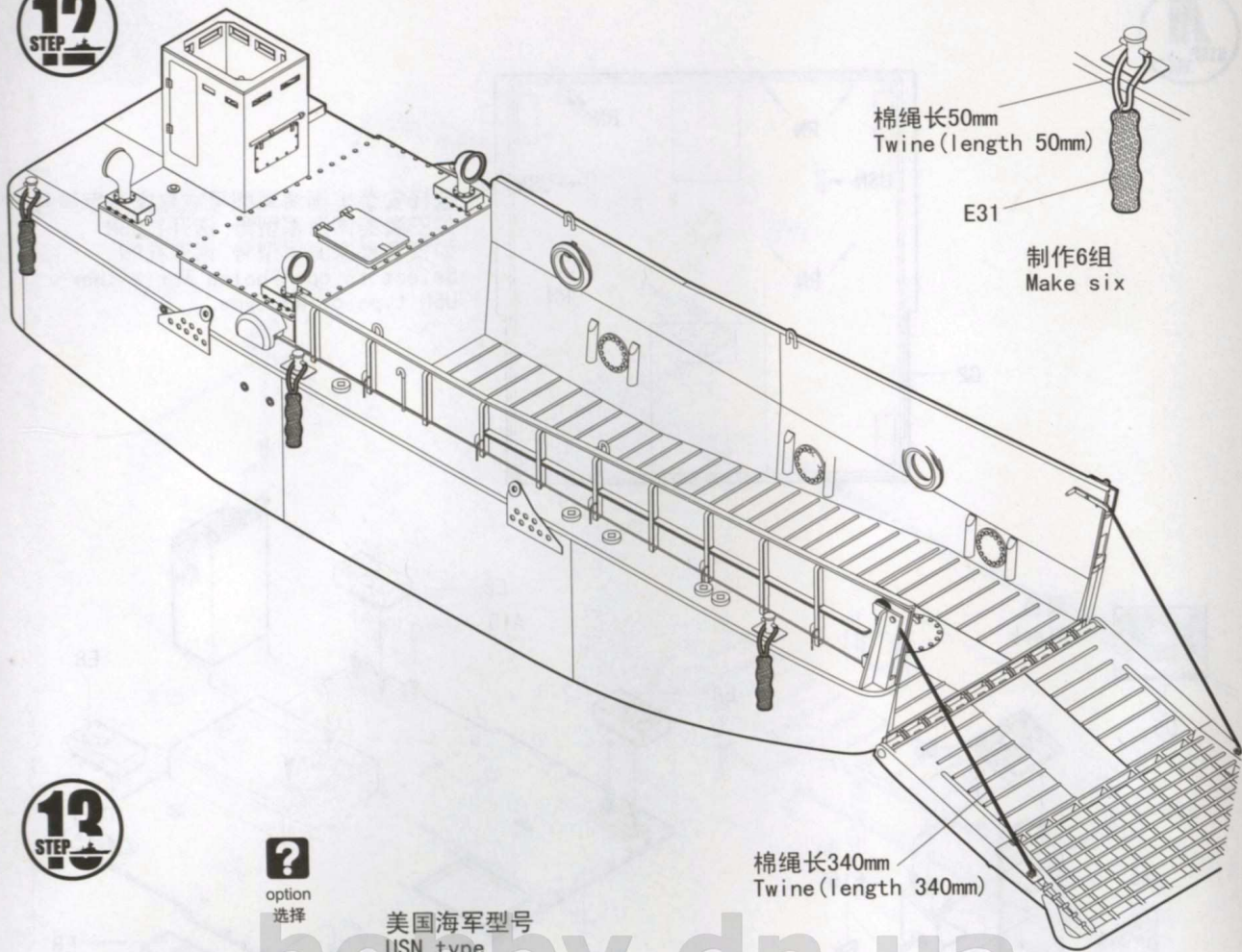
11
STEP

铜丝制作示意图
Bend brass wire the same
size as illustration.

(全尺寸)
Actual size



12
STEP



13
STEP

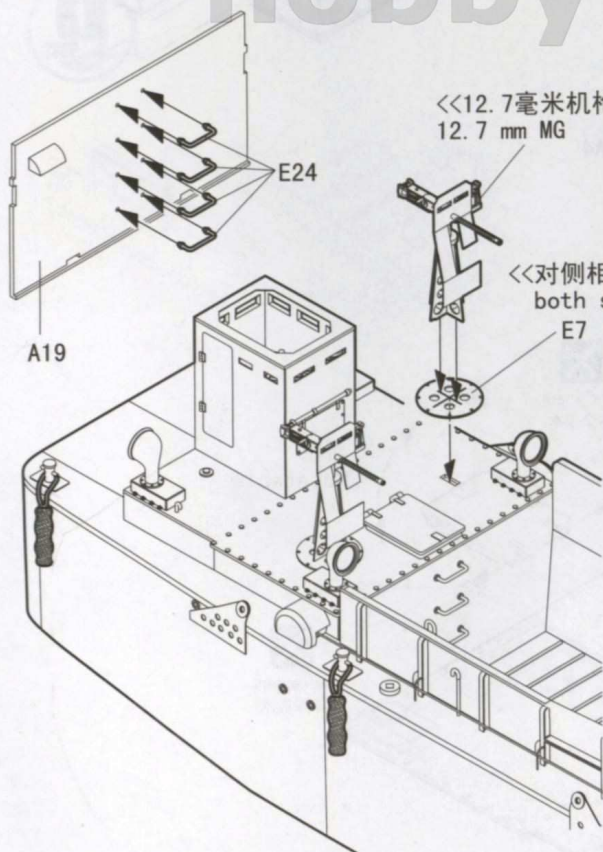


option
选择

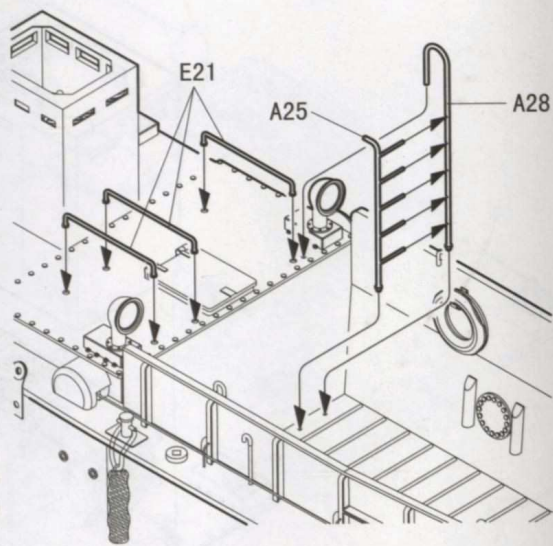
美国海军型号
USN type

棉绳长340mm
Twine (length 340mm)

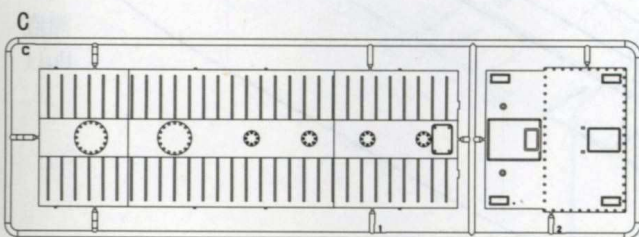
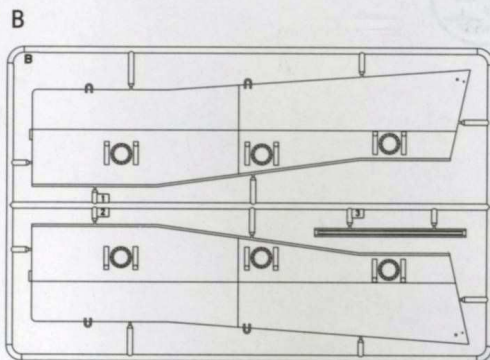
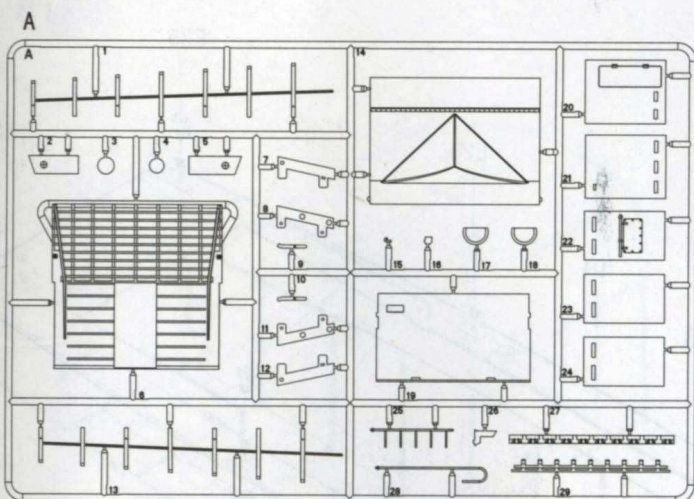
hobby.dn.ua



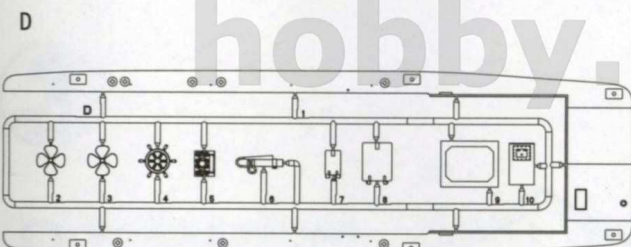
皇家海军型号
Royal navy type



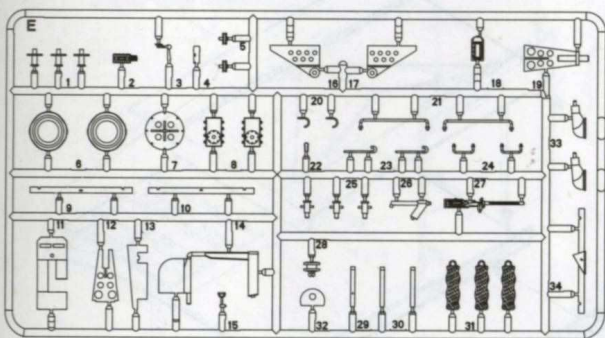
部品图 Parts



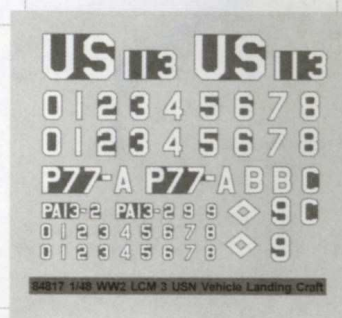
<<船底>>
HULL



Ex2



<<水贴纸>>
Decal

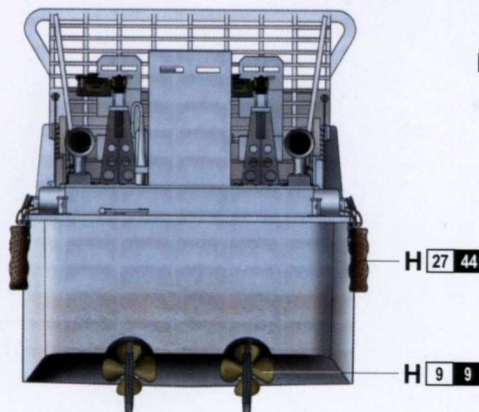
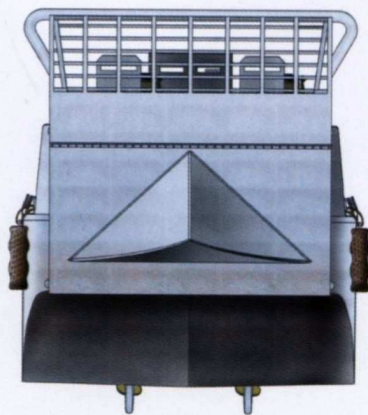
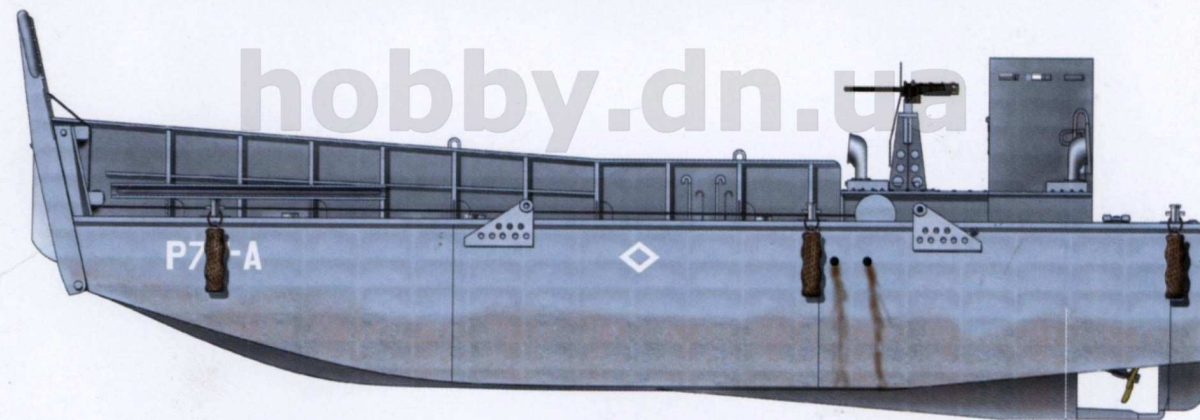
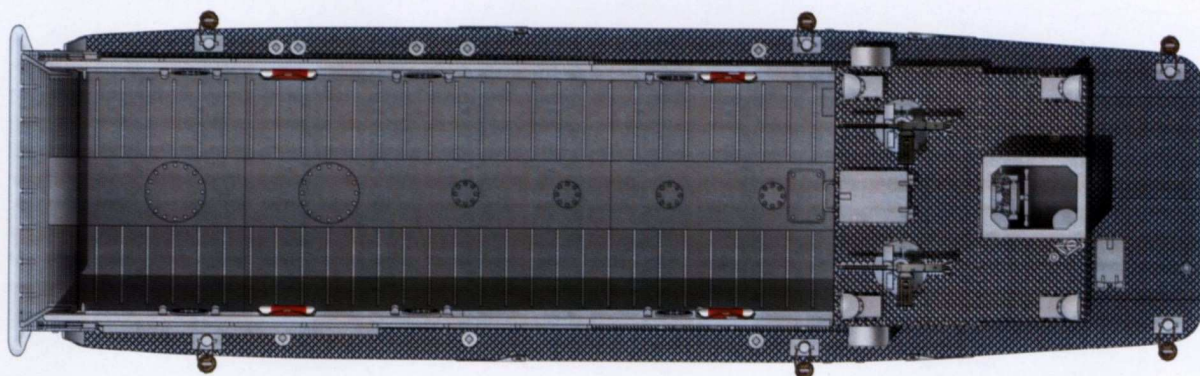
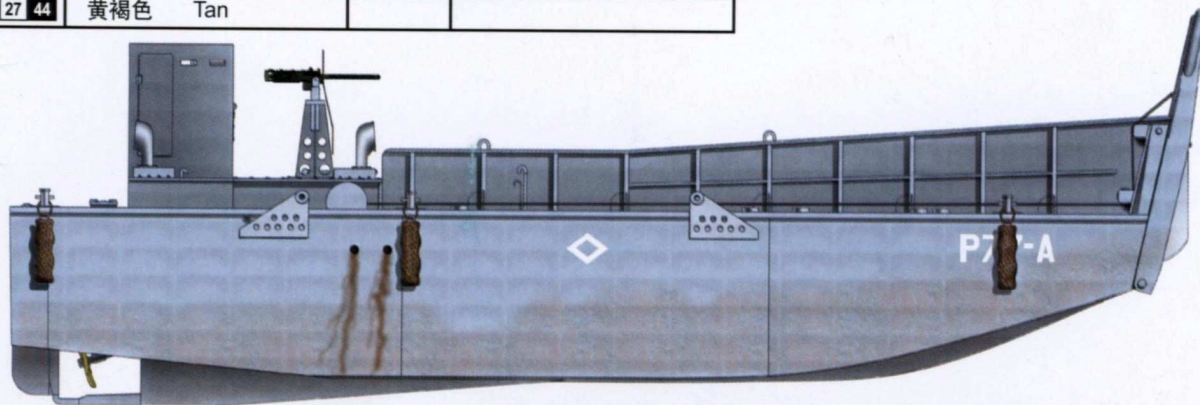


涂装同标贴指示 Painting & Marking guide

H 9 9	金色 Gold	H 82 31	浅海灰 Dark gray
H 27 44	黄褐色 Tan		

H X GUNZE SANGYO AQVEOUS HOBBY COLOUR

X GUNZE SANGYO MR.COLOUR



H 27 44

H 27 44

H 9 9

※ Some paints may not be available in your country. Please check your local hobby shop for substitute