




# Supermarine Spitfire Mk.IA


32001





 OPEN HOLE  
FORO APERTO  
OFFNEN  
HACER AQUJERO  
WYKONAC OTWOR  
FAIRE UN TROU  
VYVRTAT OTVOR


 DECAL  
DECALCOMANIE  
ABZIEHBILD  
CALCOMANIA  
KALKOMANIA  
DECALCOMANIE  
ODTISK

 REMOVE  
RETIRER  
ENTFERNEN  
CORTAR  
WYCIAC  
SEPARARE  
ODSTRANIT

 OPTION  
FACULTATIF  
NACH BELIEBEN  
HACER AQUJERO  
DO WYBORU  
FACOLTATIVO  
VOLBA

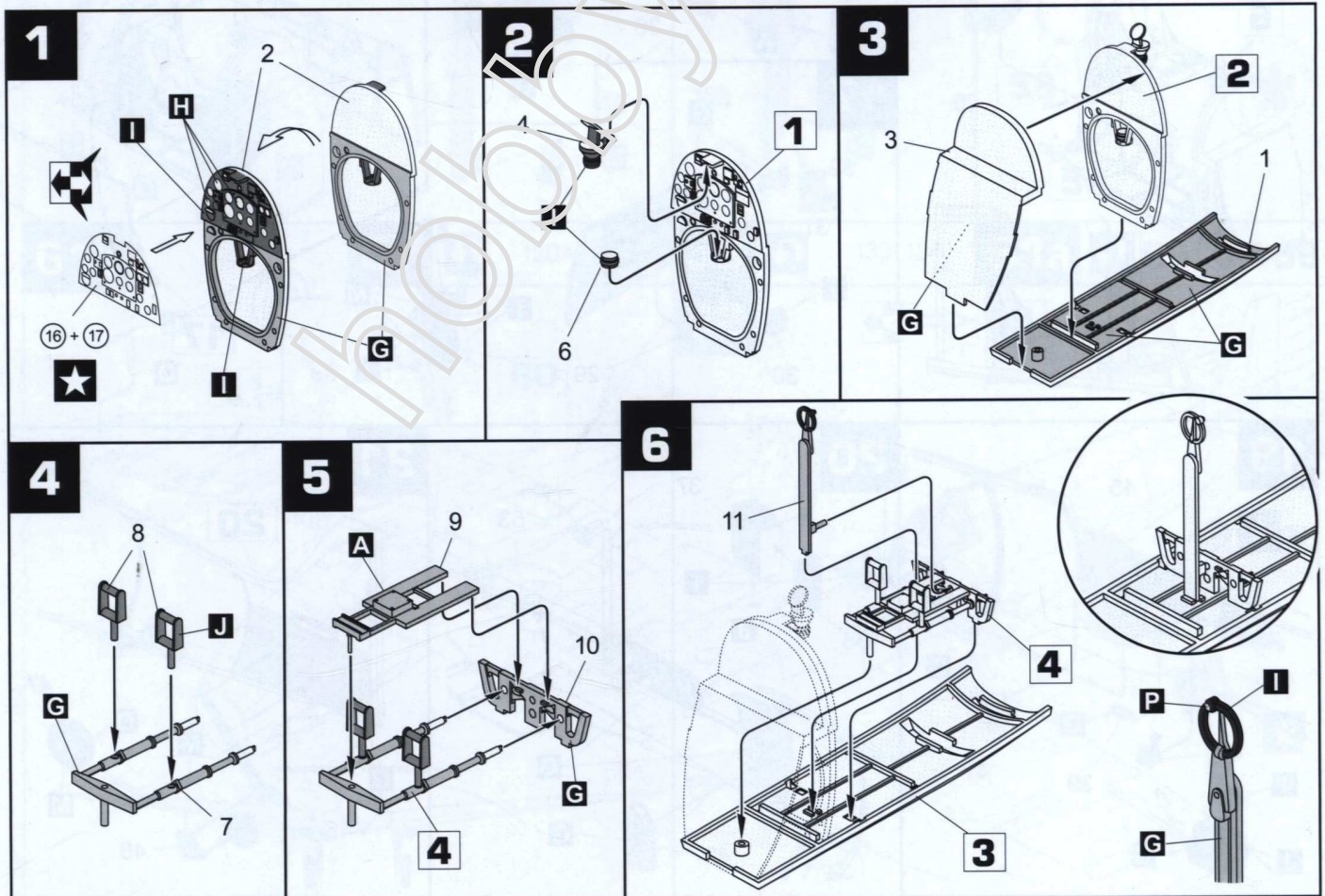
 FILL HOLE  
FORO PIENO  
SCHLIESSEN  
EMPUJE EL AQUJERO  
ZAMKNAC OTWOR  
BOUCHER LE TROU  
ZAKRYJTE OTVOR

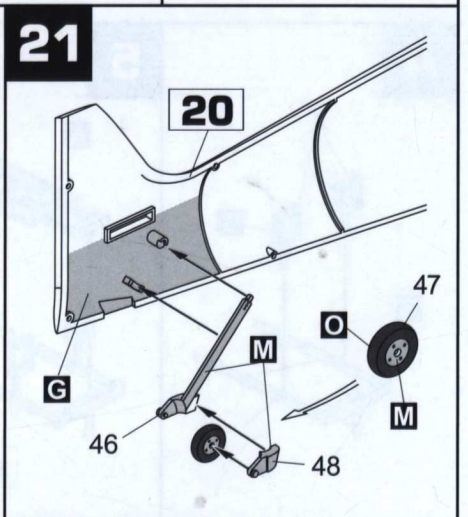
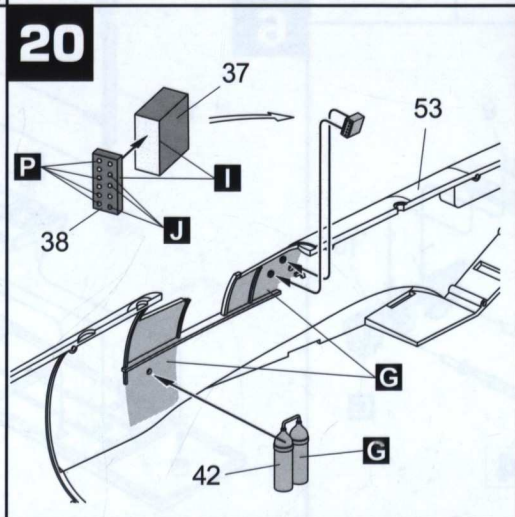
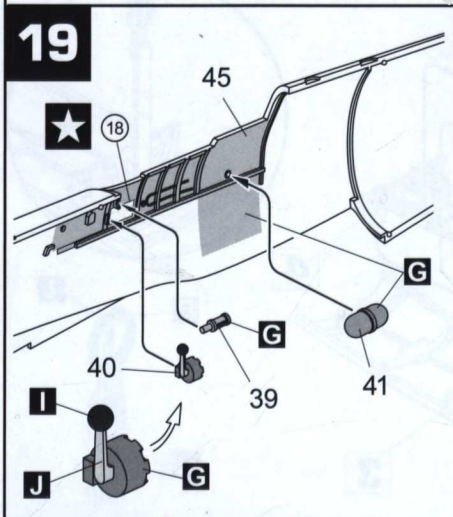
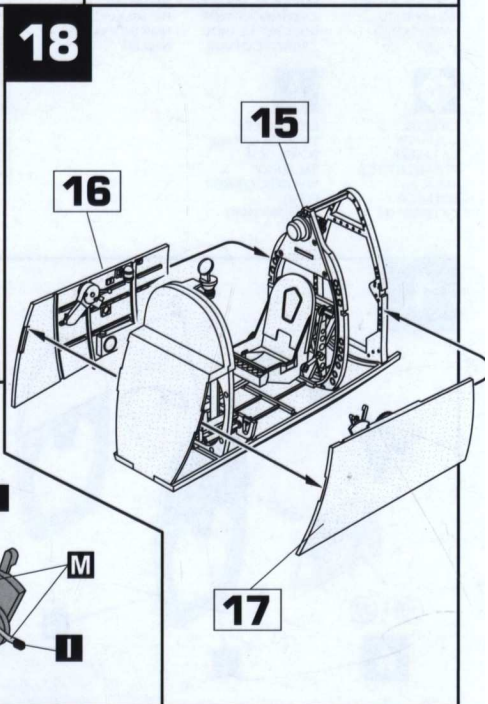
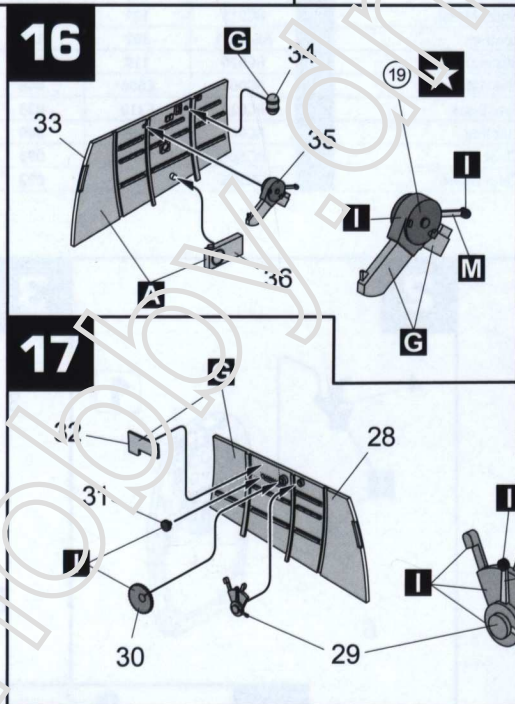
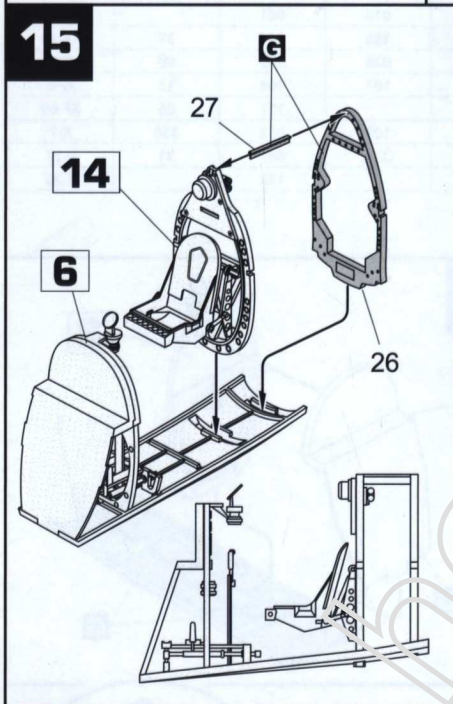
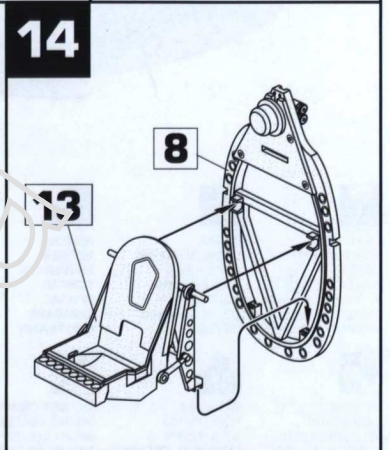
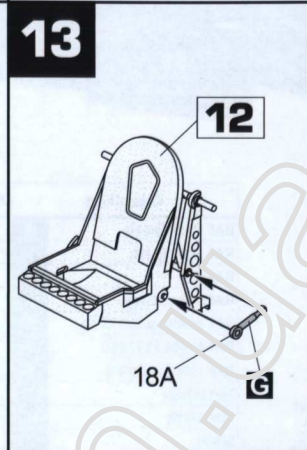
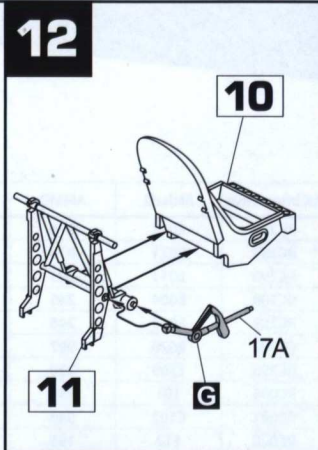
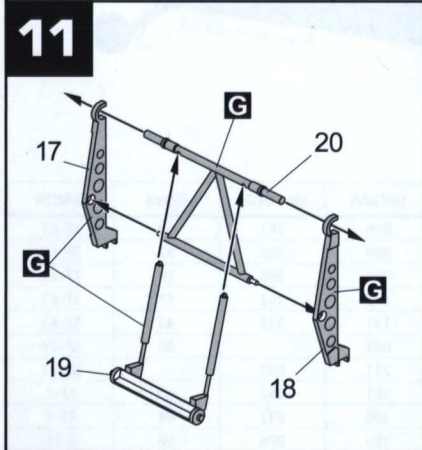
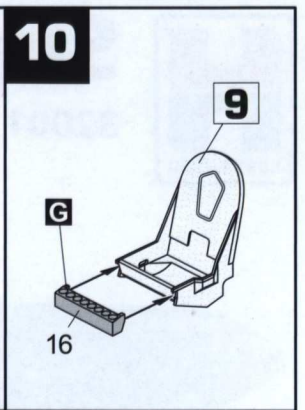
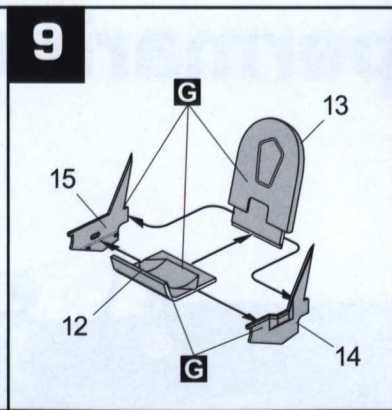
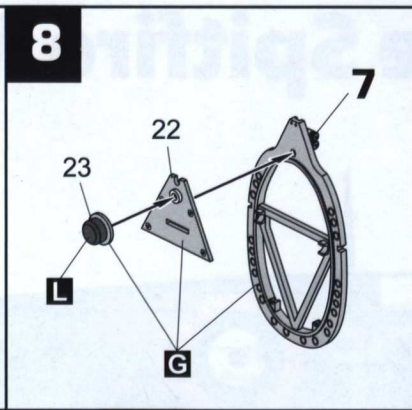
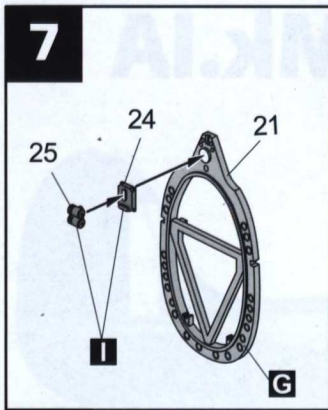
 DO NOT CEMENT  
NE PAS COLLER  
NICHT KLEBEN  
NO PEGAR  
NIE SKLEJAC  
NIE INCOLLARE  
NELEPIT

 CA GLUE  
COLLA CA  
CA KLEBER  
PEGAMENTO CA  
KLEJ CA  
COLLE CA  
CA LEPIDLO

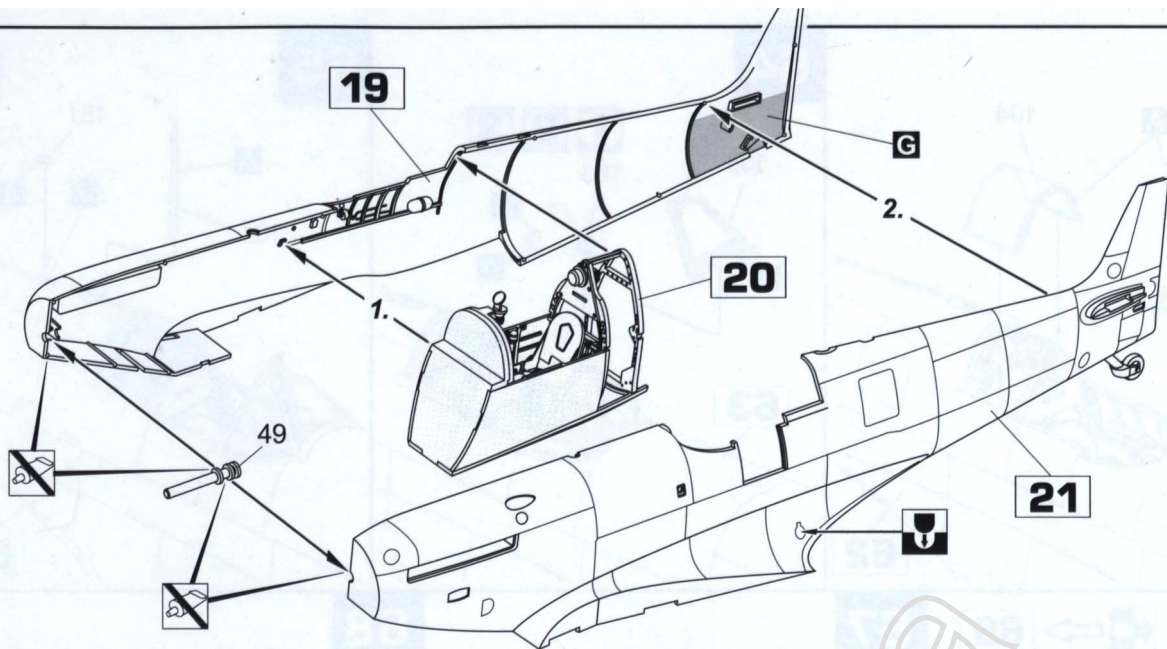
 DRILL HOLE  
TROU DE FORAGE  
BOHRLOCH  
TALADRO  
WYWIERC OTWOR  
FORO  
VYVRTAT DIRU

Color Chart	AK Interactive	Alclad2	AMMO	HP/AKA	Mr. COLOR	Revell	TAMIYA
RAF Dark Green	A RC286	E013	915	016	361	68	XF-81
RAF Dark Earth	B RC287	E021	07J	079	369	82	XF-52
RAF Sky	C RC290	E011	243	025	368	59	XF-21
RAF Ocean Grey	D RC288	E004	245	032	362	77	XF-82
RAF Medium Sea Gray	E RC289	E003	246	041	335	43	XF-83
RAF Night FS37030	F RC082	E620	527	041		09	XF-69
RAF Interior Green	G RC293	E309	220	211	027		XF-71
Flat White	H RC004	101	050	101	062	05	XF-2
Flat Black	I RC001	102	045	100	033	08	XF-1
Silver	J RC020	112	195	189	008	90	X-11
Burnt Metal	K RC015	171	187	016	061		XF-84
Leather	L AK-3631	202	133	186	044	37	XF-10
Aluminium	M RC020	119	194	078	090	99	XF-16
Flat Yellow	N RC007	E625	048	107	004	15	XF-8
Tyre Black	O RC012	E110	033		137	06	XF-69
Flat Red	P RC005	E700	049	103	033	330	X-7
Clear Red	Q RC 503	401	093	CC02	047	31	X-27
Clear Green	R RC505	404	092		138		X-25

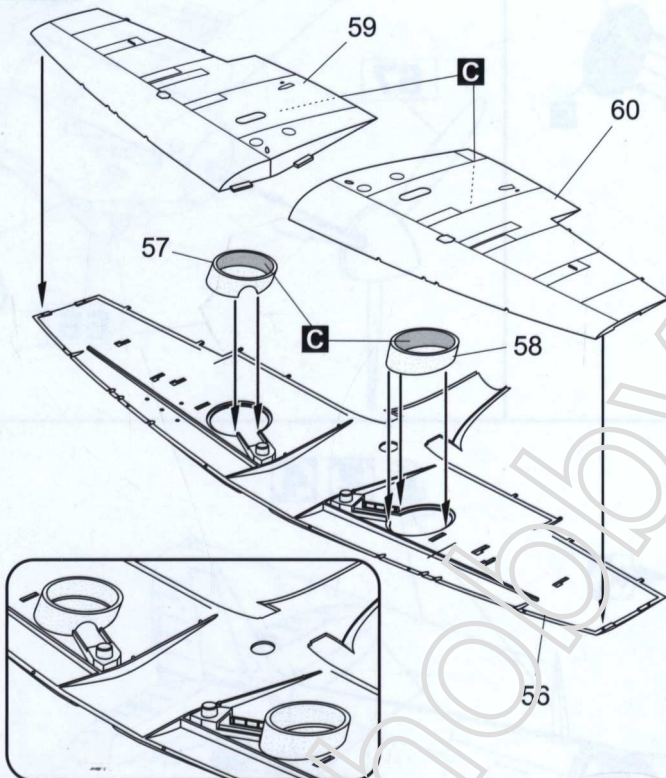




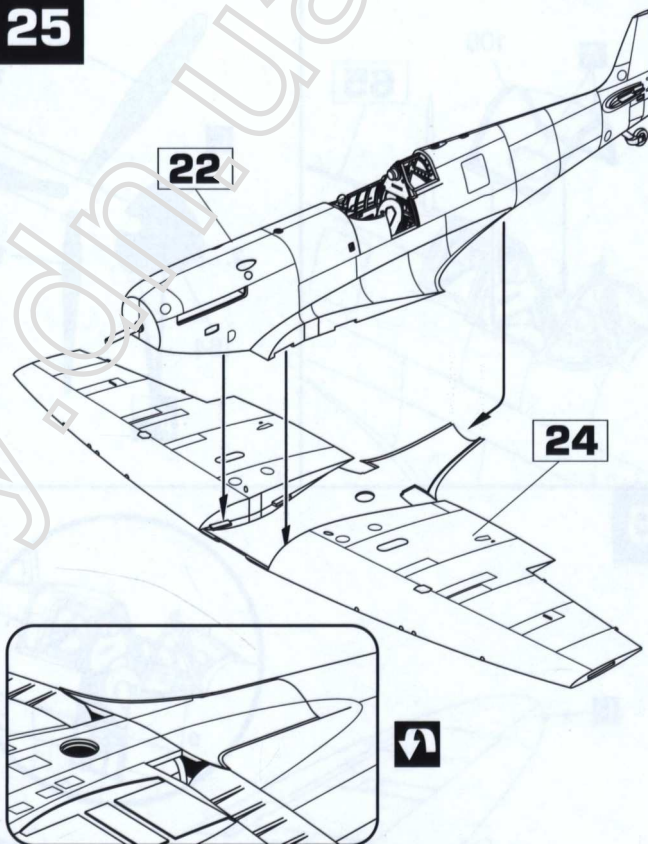
22



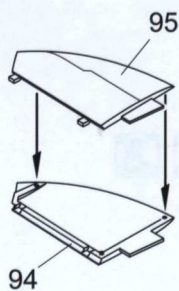
24



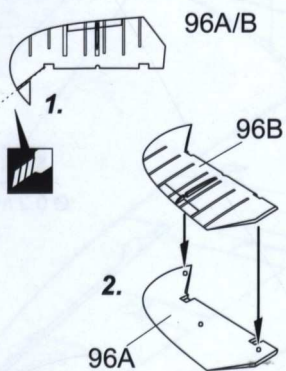
25



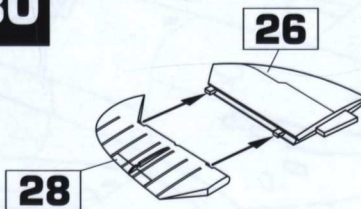
26



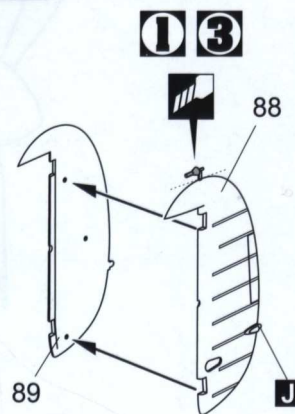
28



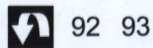
30



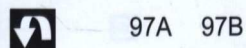
32



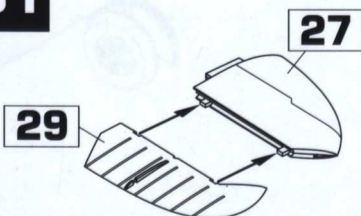
27



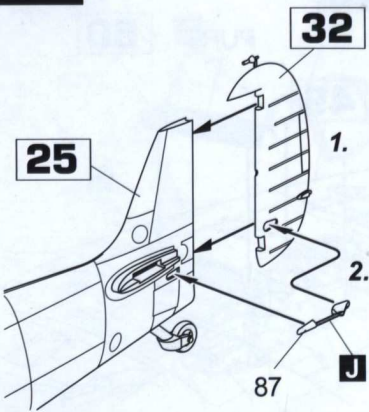
29



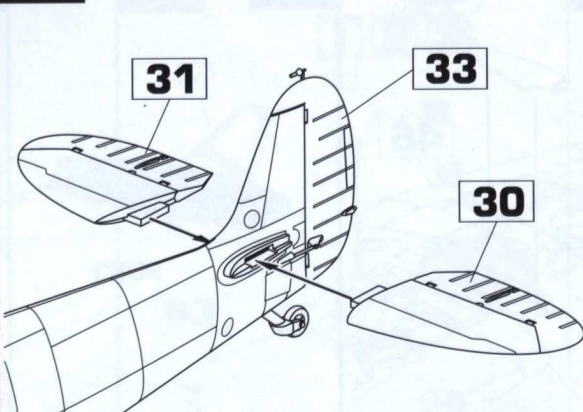
31



33



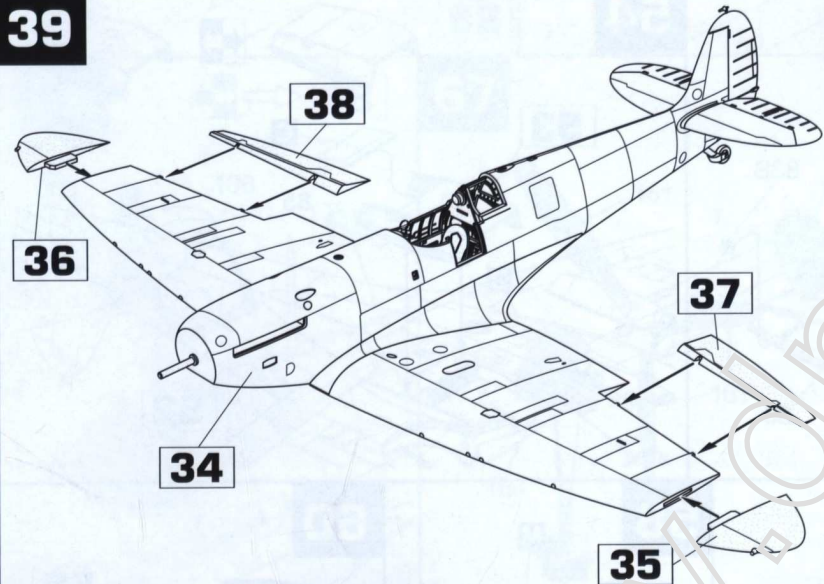
34



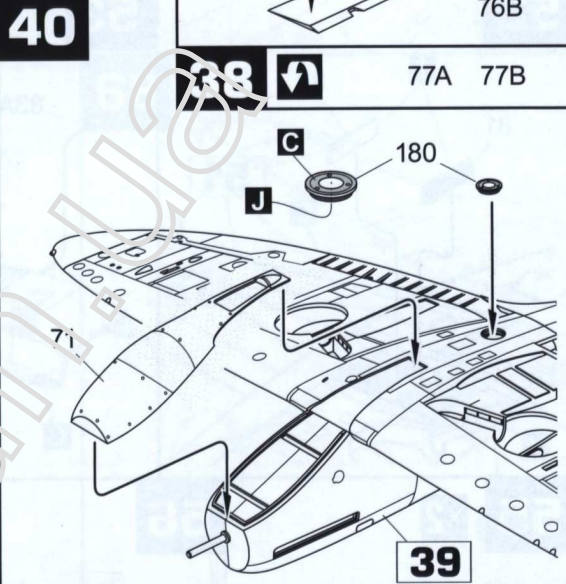
35



39

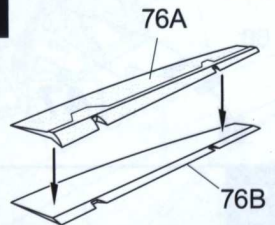


40



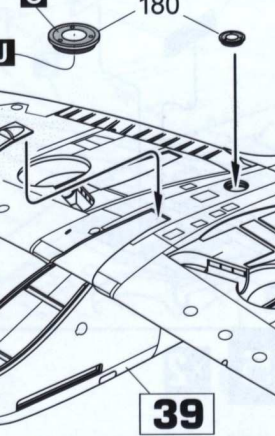
38

72A 72B

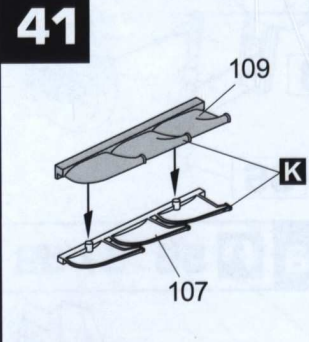


38

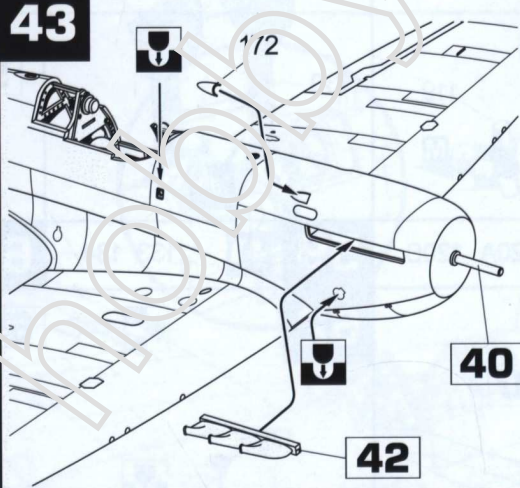
77A 77B



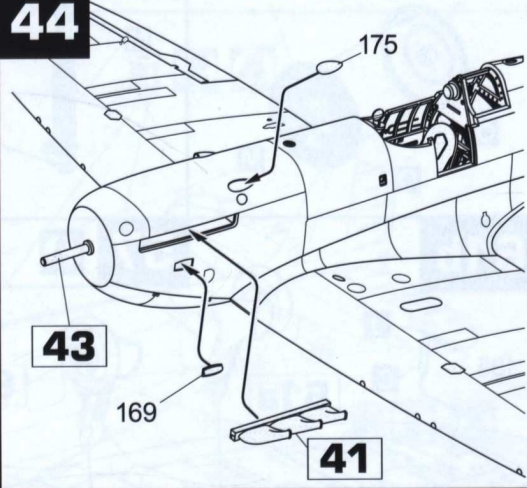
41



43



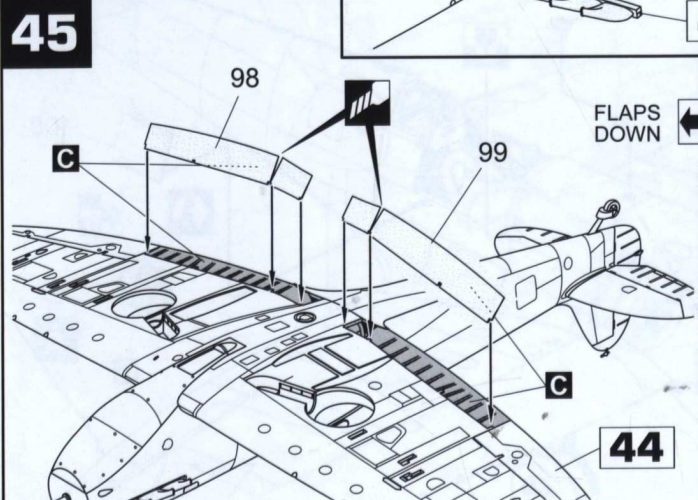
44



42

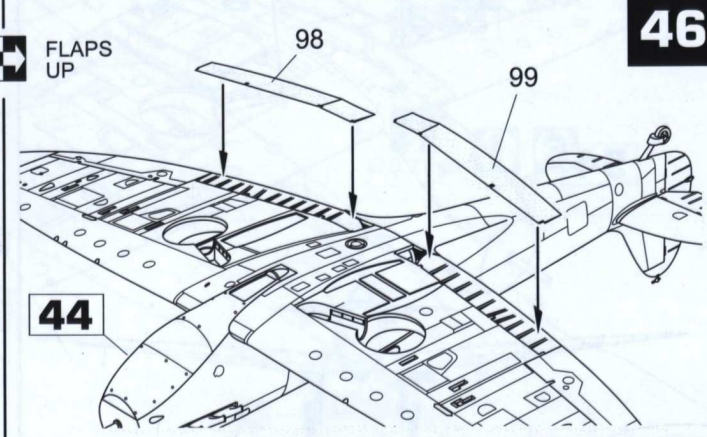
108 110

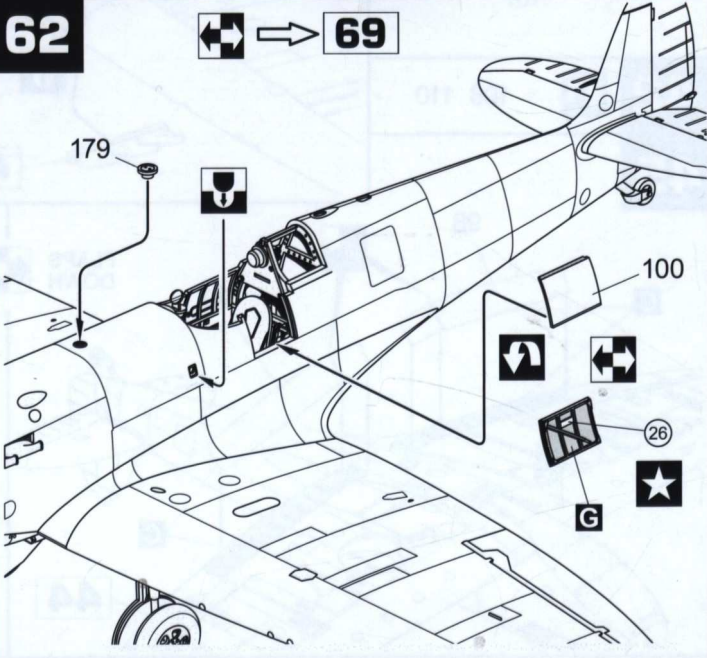
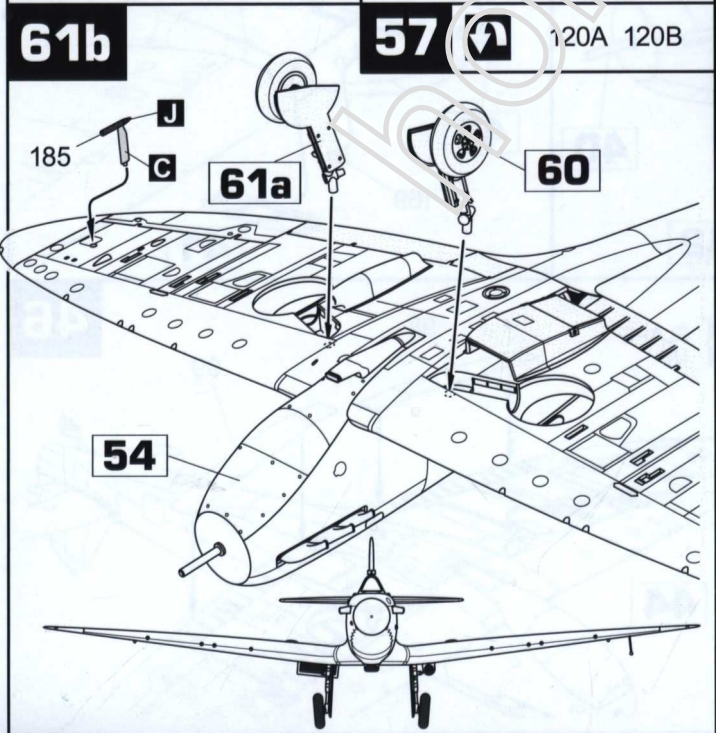
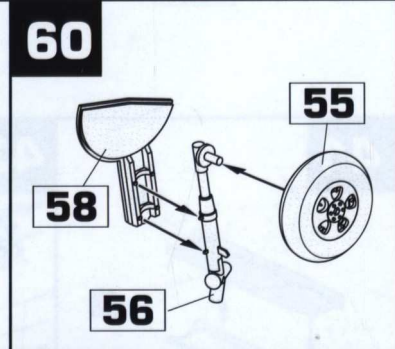
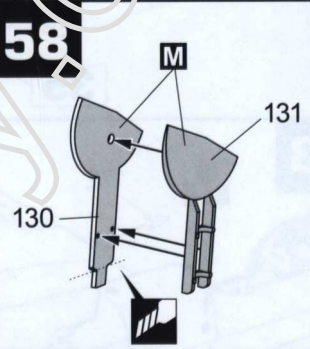
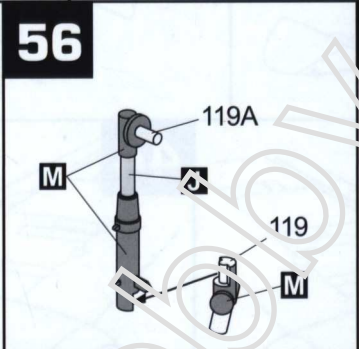
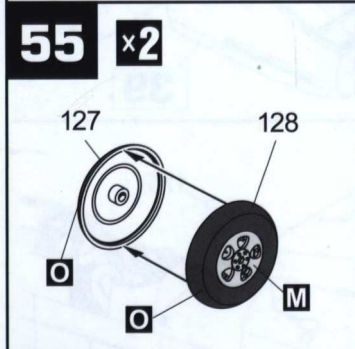
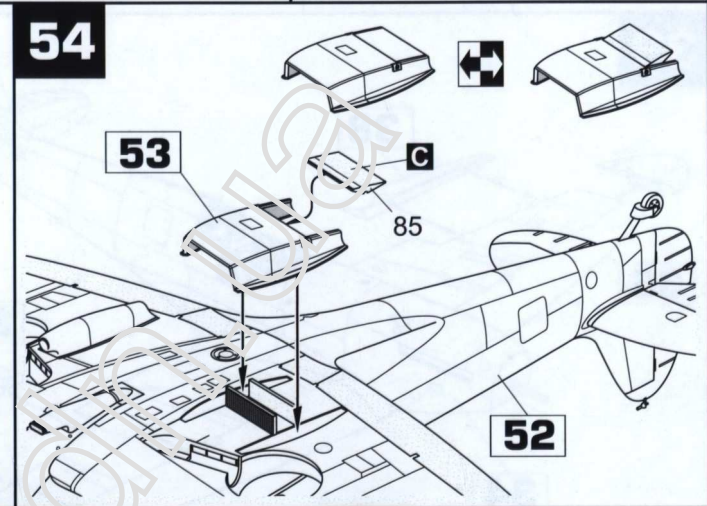
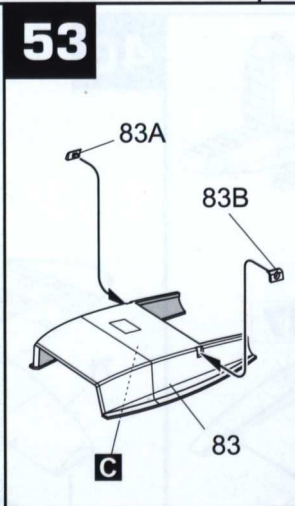
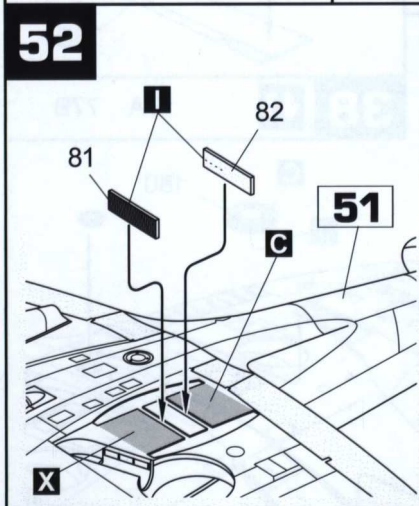
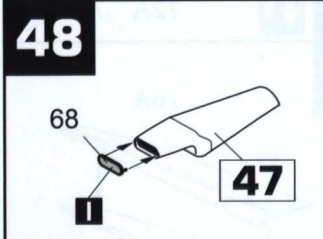
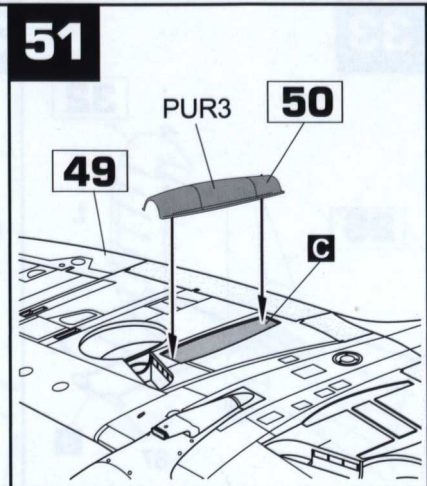
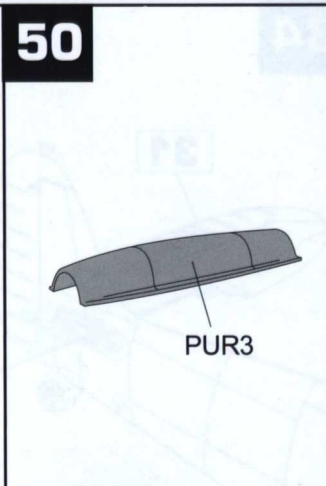
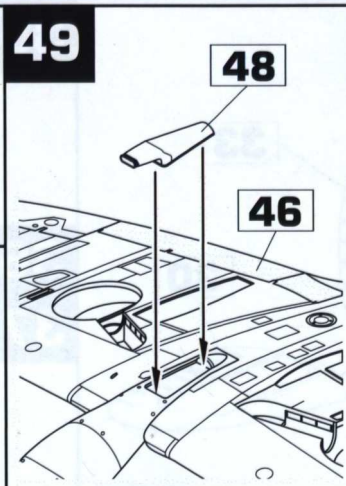
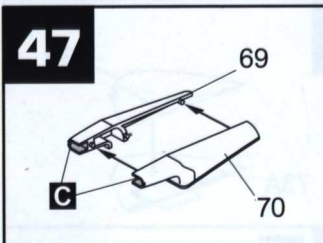
45



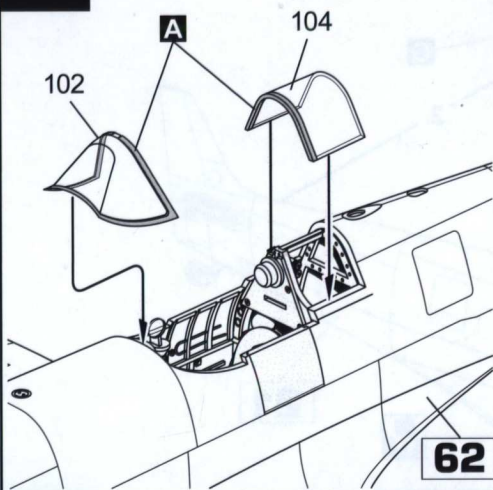
FLAPS DOWN FLAPS UP

46

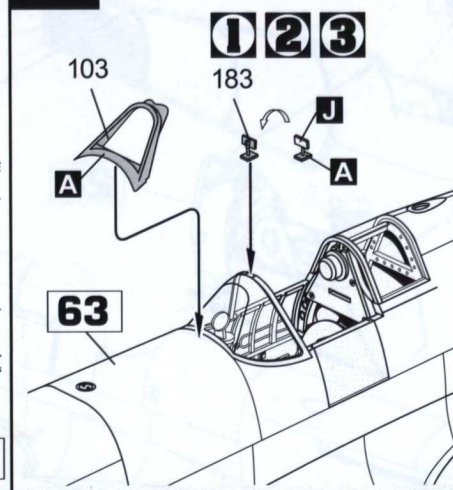




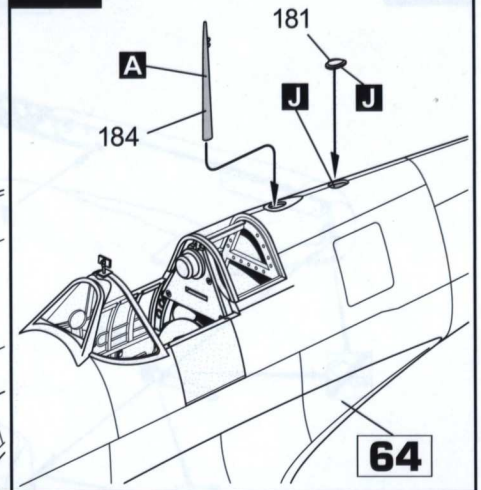
63



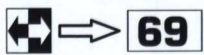
64



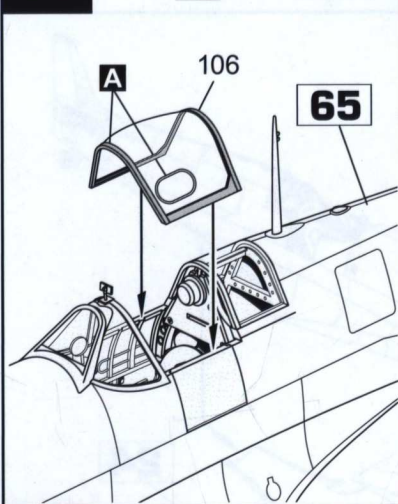
65



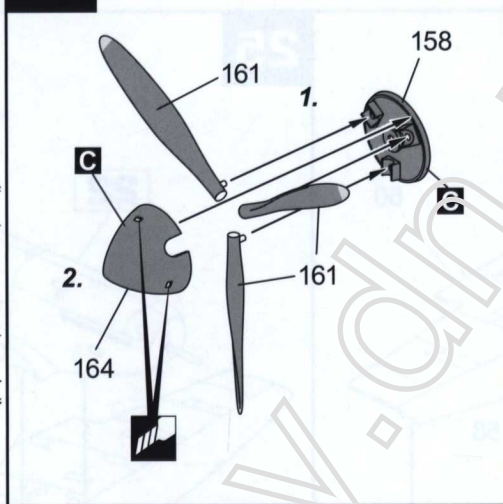
66



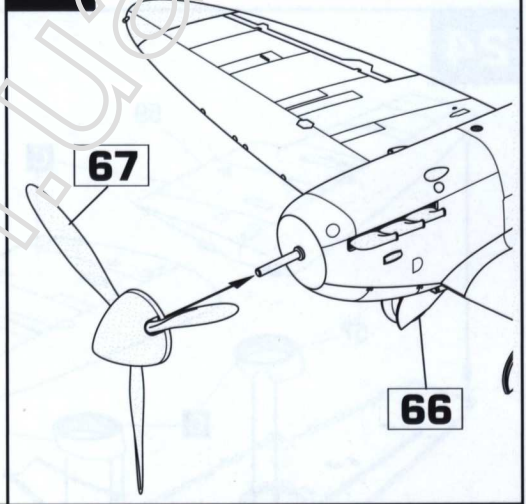
69



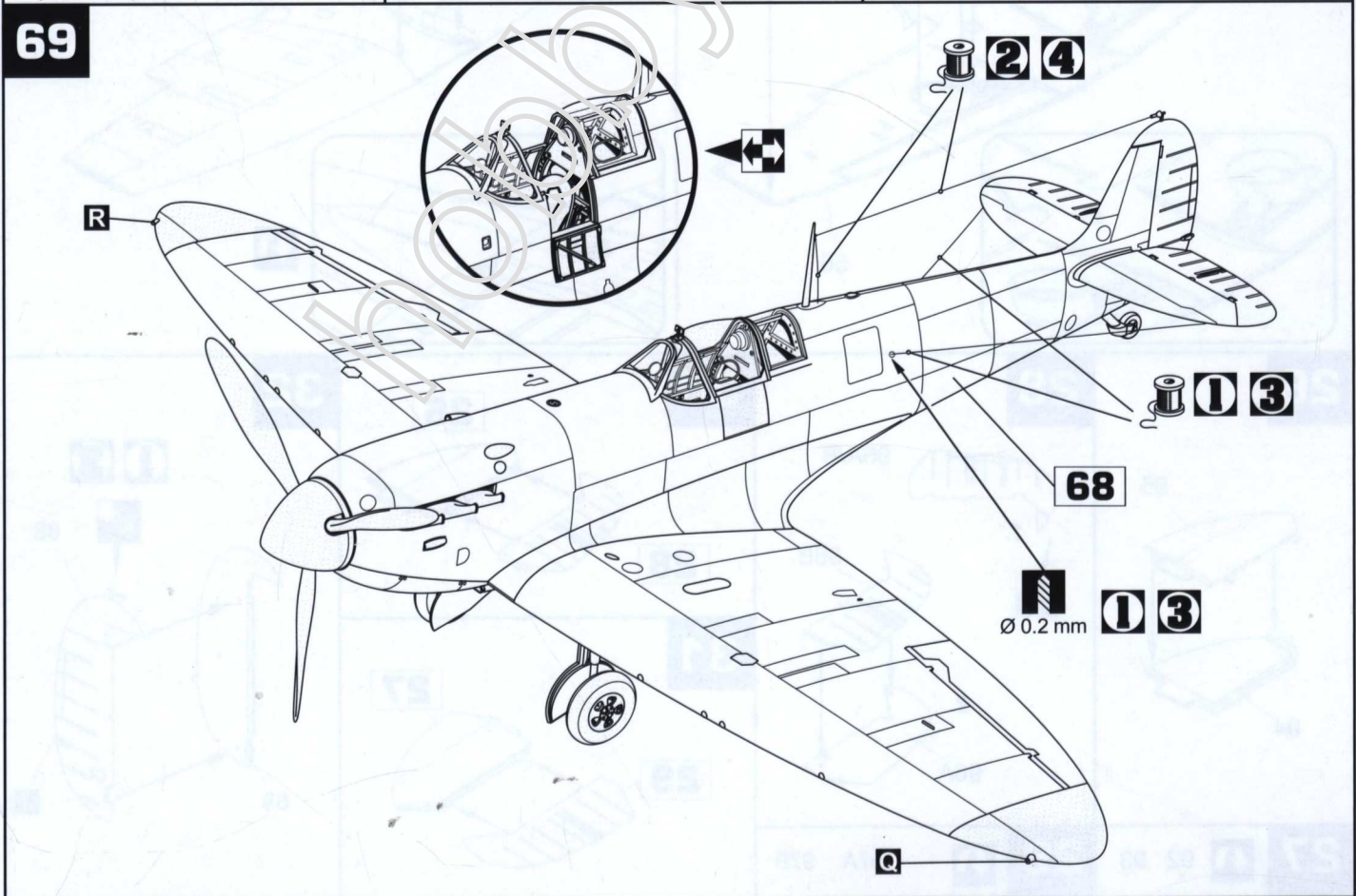
67



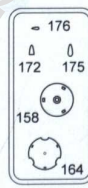
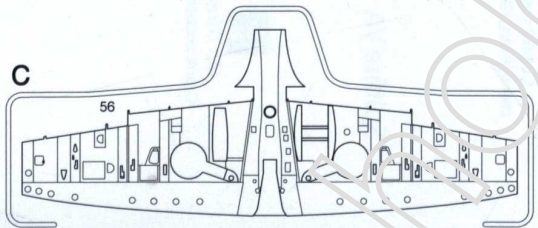
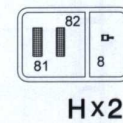
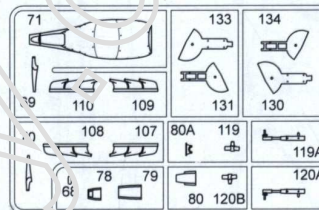
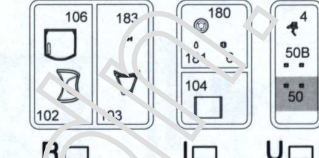
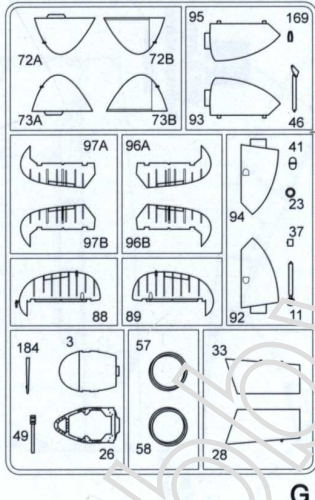
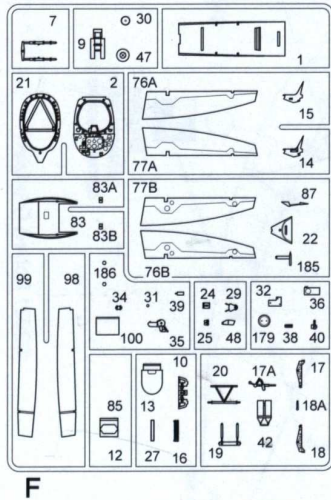
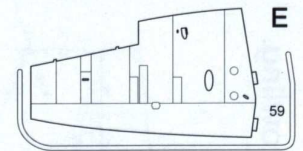
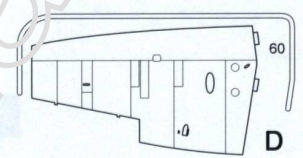
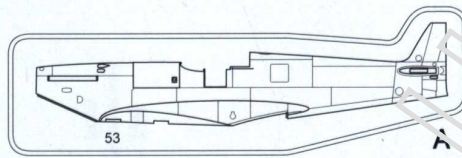
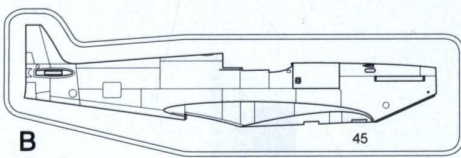
68



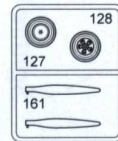
69



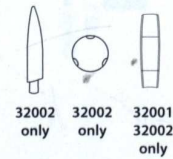
# 1:32 Supermarine Spitfire IA, IIA, VA parts list



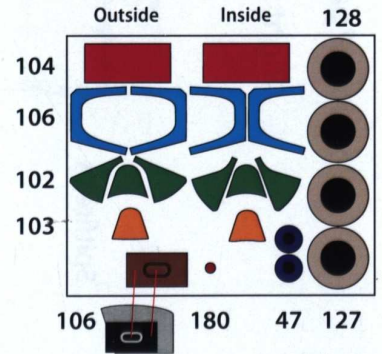
SX2



PUR1 PUR2 PUR3



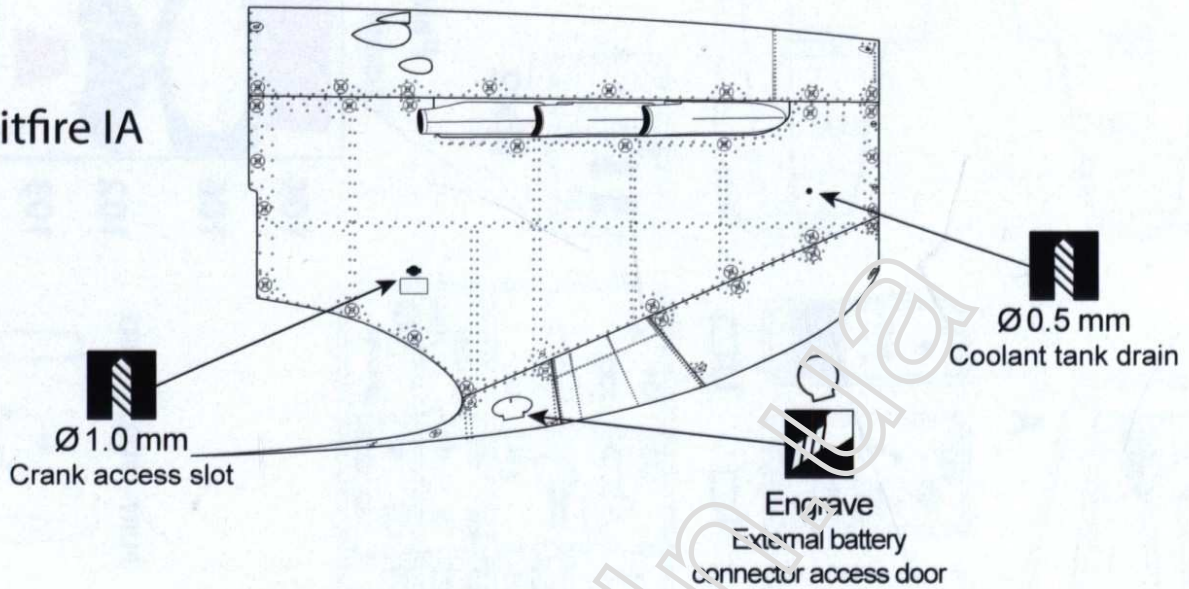
Painting Mask Set



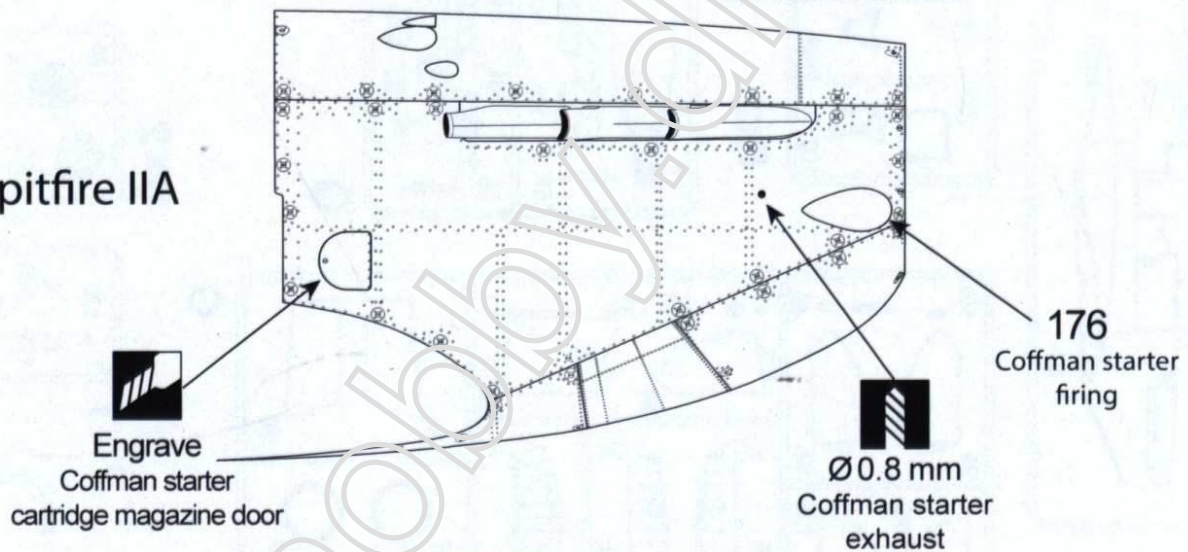
# Position of part 176 and additional holes.

Right side, engine cowling.  
1:32 scale

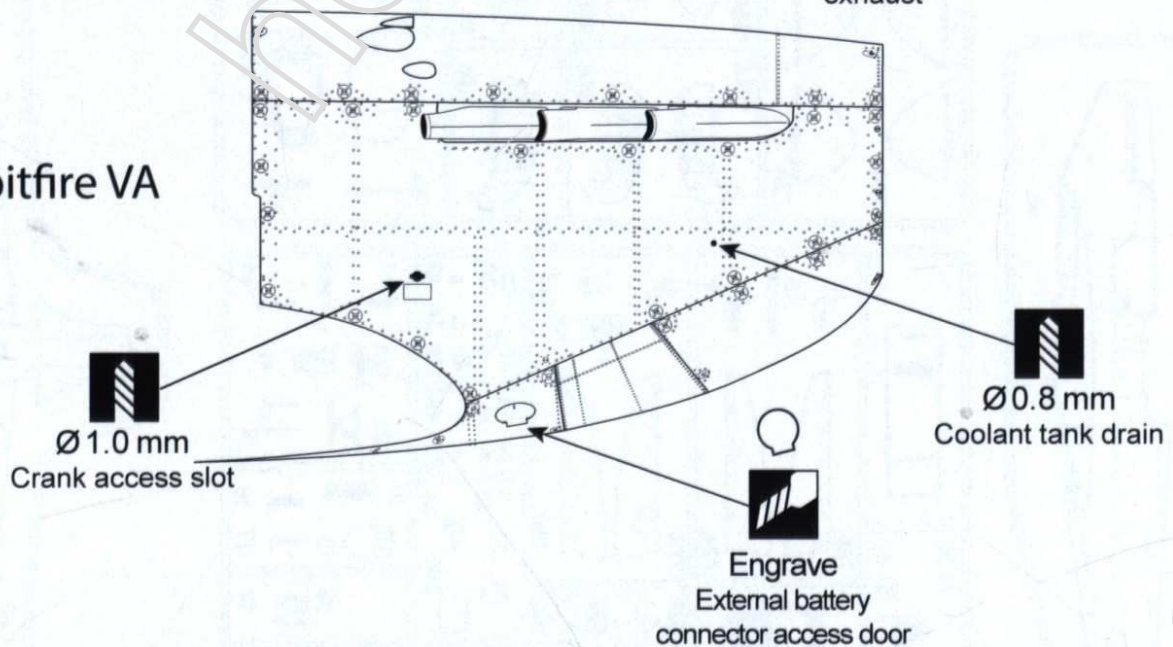
Spitfire IA



Spitfire IIA



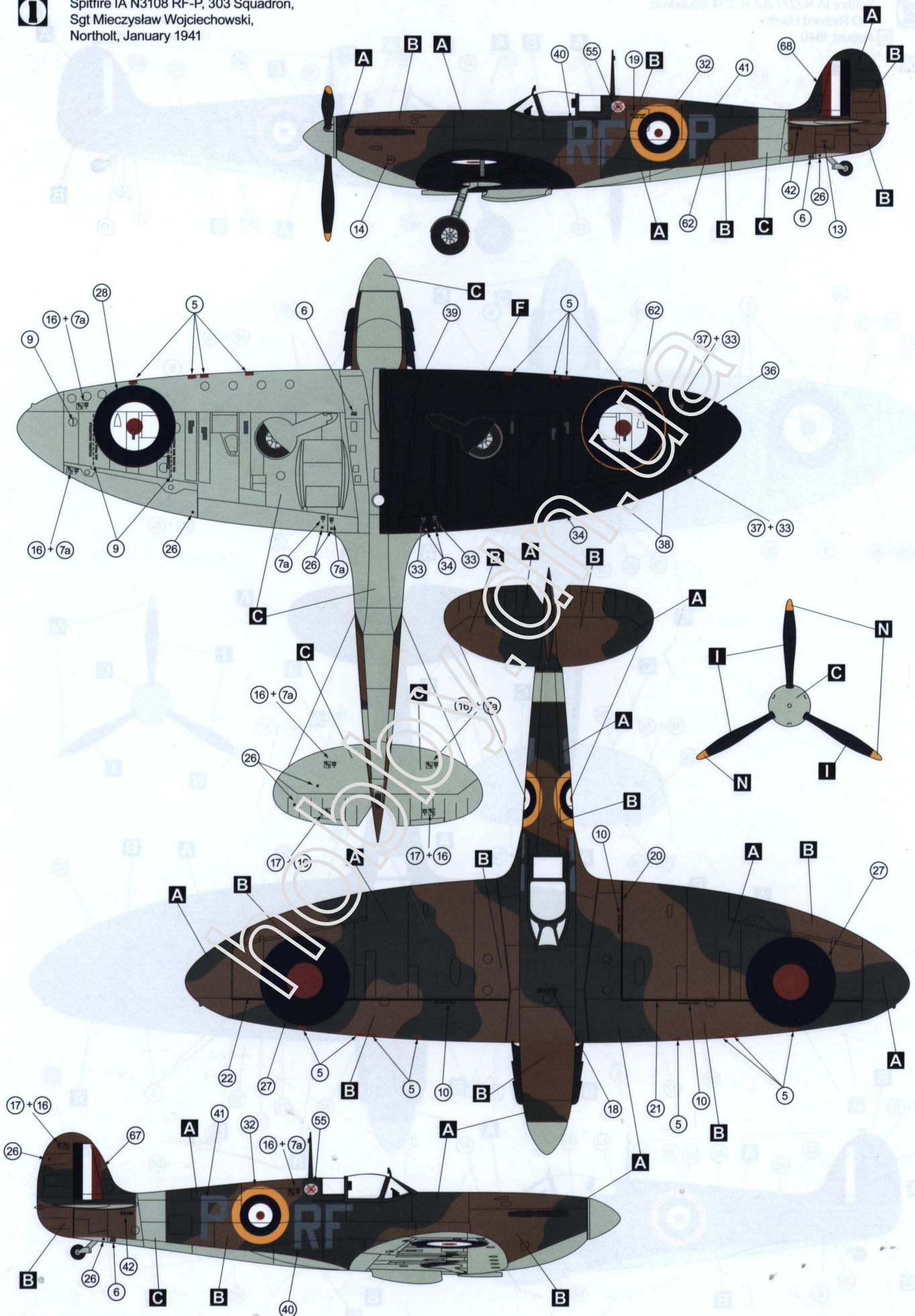
Spitfire VA





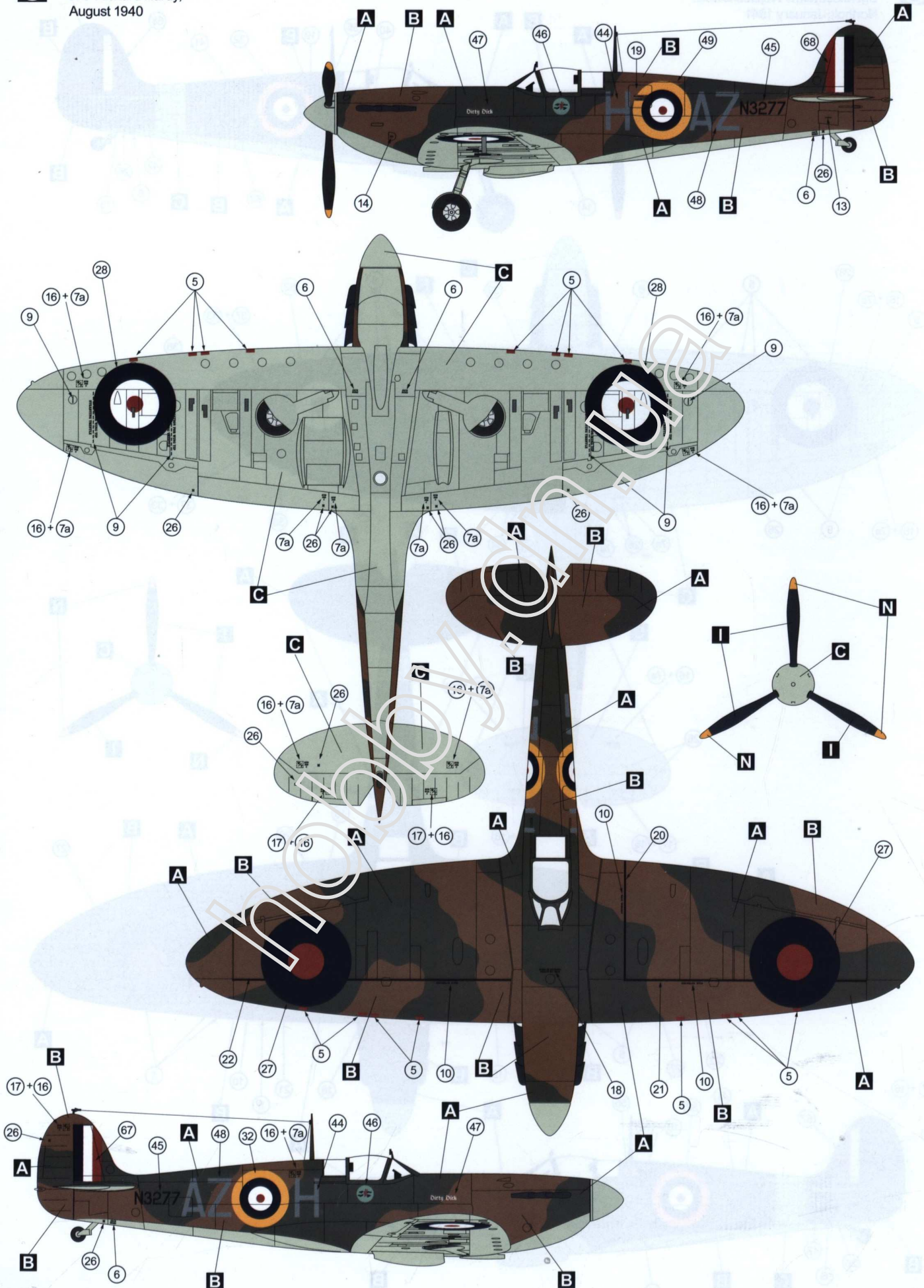


Spitfire IA N3108 RF-P, 303 Squadron,  
Sgt Mieczyslaw Wojciechowski,  
Northolt, January 1941



2

Spitfire IA N3277 AZ-H, 234 Squadron,  
P/O Richard Hardy,  
August 1940



**3**

Spitfire IA X4828 RF-K, 303 Squadron,  
F/Lt Wojciech Kołaczkowski,  
Speke, September 1941



4

Spitfire IA P9317 ZD-A,  
222 Squadron,  
September 1941

