

# ZSU-57-2 1955-2017

1:35 Scale Model Kit

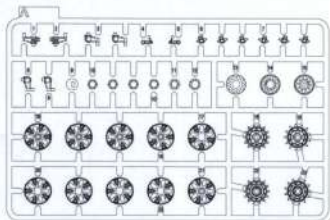


0216  
Instruction & Painting Manual



## PARTS

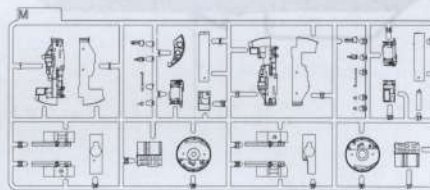
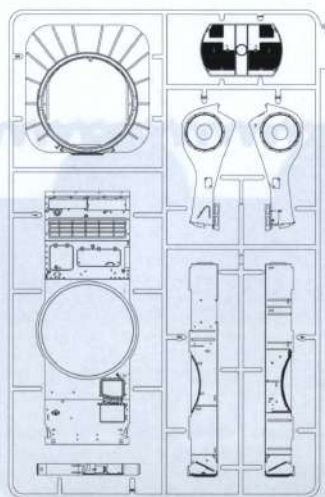
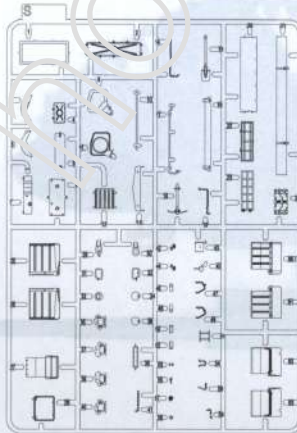
- |                                            |                               |                                                     |                                            |                                               |                                      |                                               |                                            |
|--------------------------------------------|-------------------------------|-----------------------------------------------------|--------------------------------------------|-----------------------------------------------|--------------------------------------|-----------------------------------------------|--------------------------------------------|
| REMOVE<br>ENTFERNEN<br>WYCIĄC<br>ODSTRANIĆ | RETIRER<br>CORTAR<br>SEPARARE | OPEN HOLE<br>OEFEN<br>WYKONAC OTWÓR<br>VIRTAT OTVOR | FORO APERTO<br>FACER AQUEIRO<br>FURE UNTRU | CA GLUE<br>CA KLEBER<br>KLEJ CA<br>CA LEPIDLO | COLLA CA<br>PEGAMENTO CA<br>COLLE CA | OPTION<br>NACH BELIEBEN<br>DO WYBORU<br>VOLBA | FACULTATIF<br>HACER AQUEIRO<br>FACULTATIVO |
|--------------------------------------------|-------------------------------|-----------------------------------------------------|--------------------------------------------|-----------------------------------------------|--------------------------------------|-----------------------------------------------|--------------------------------------------|



X2



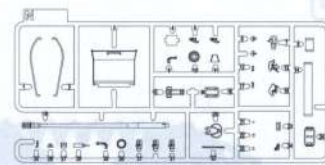
X4



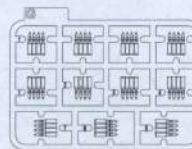
Cable



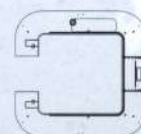
X184



X2



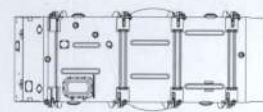
X5



Turret



TP

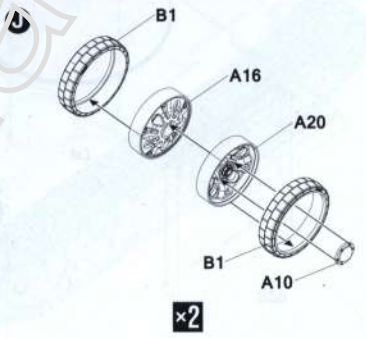
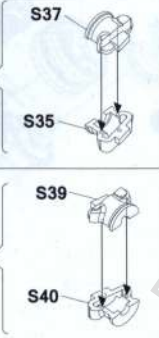
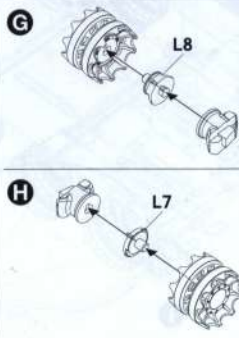
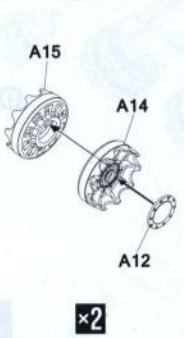
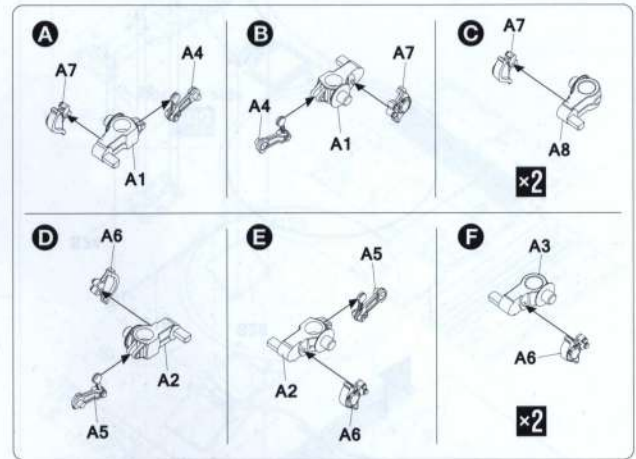
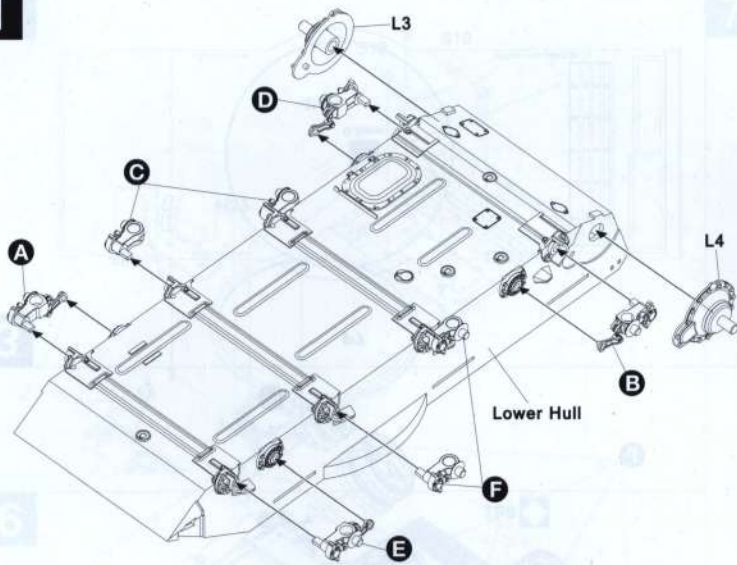


Lower Hull



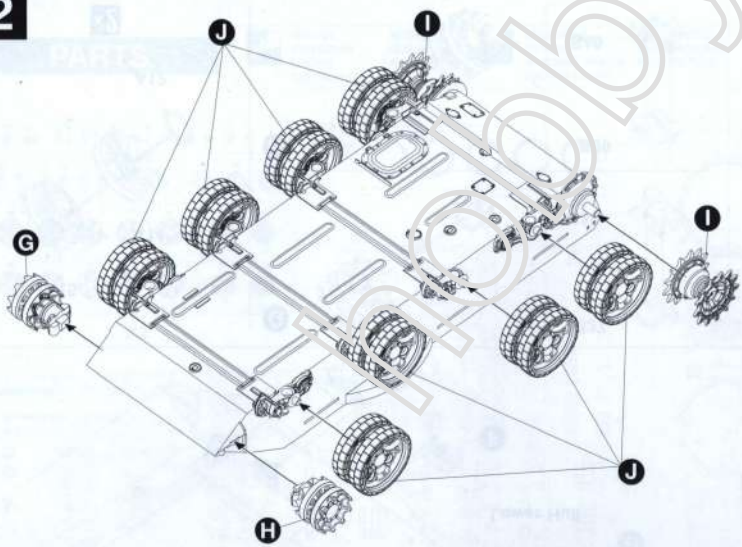
Dust Cover

1

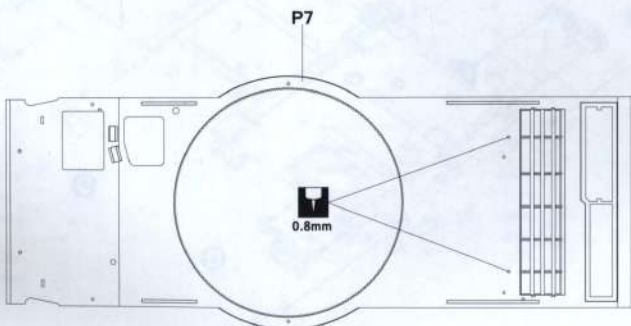


3

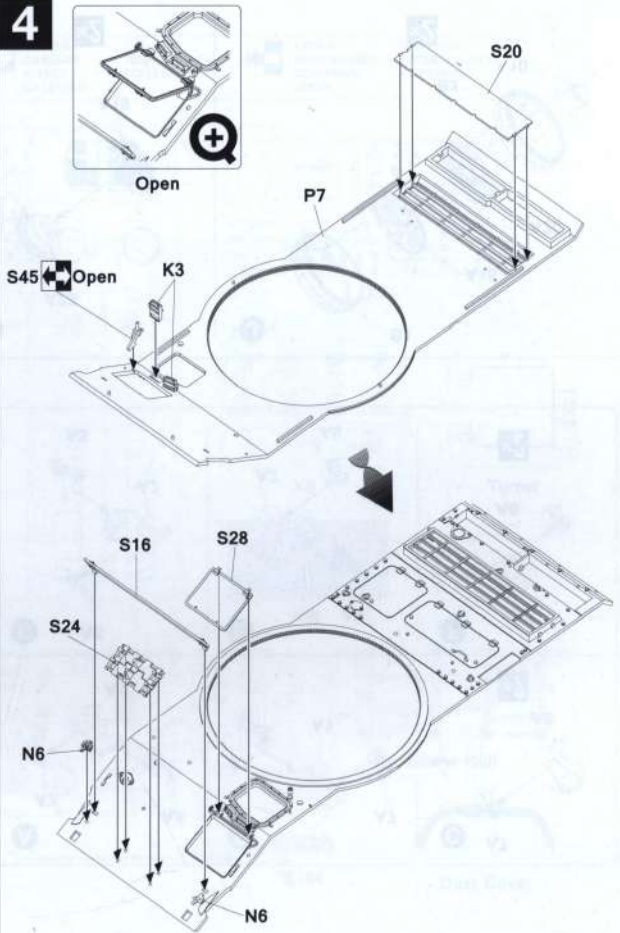
2



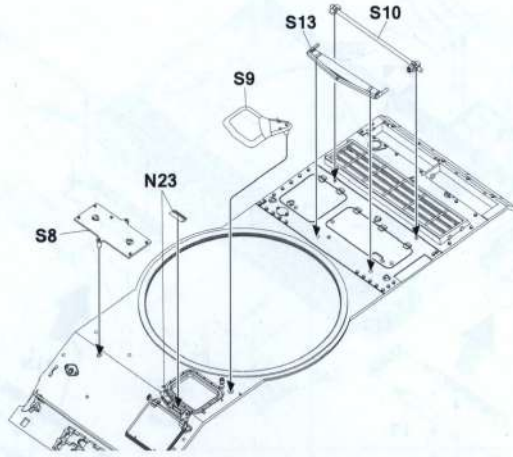
3



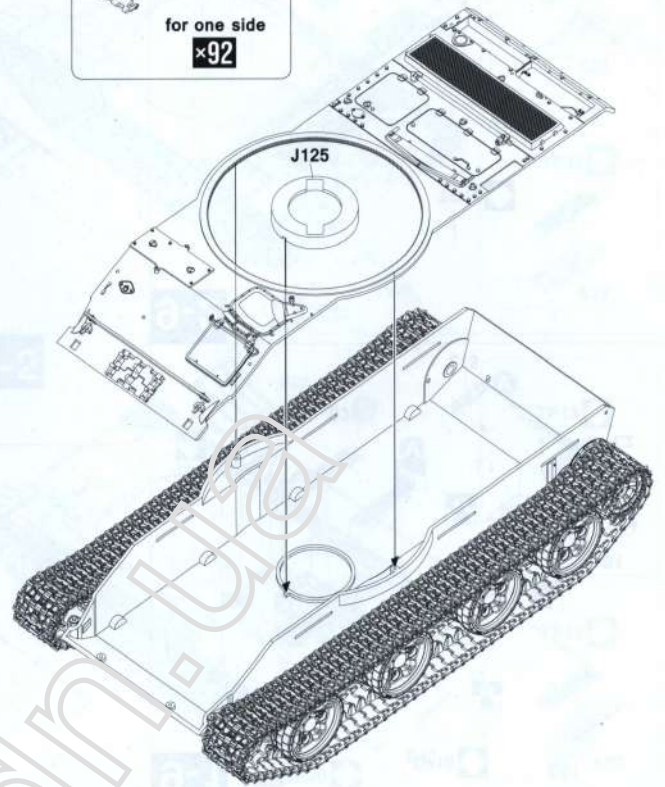
4



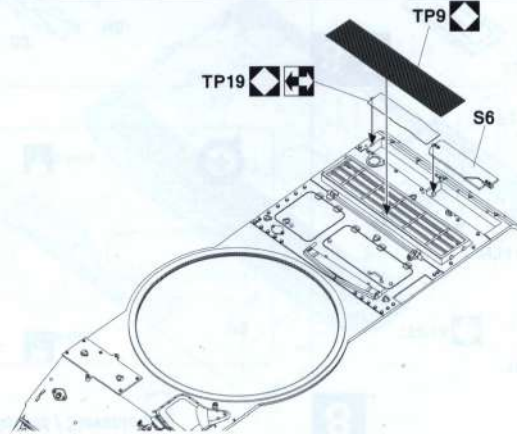
5



7

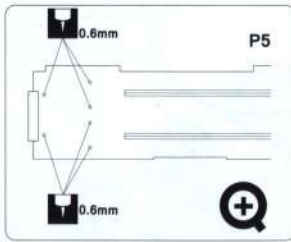


6

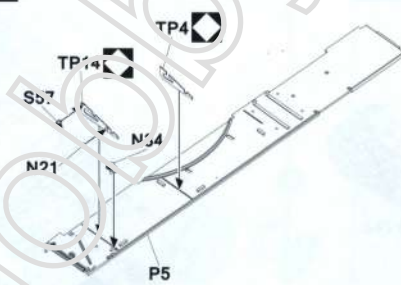


5

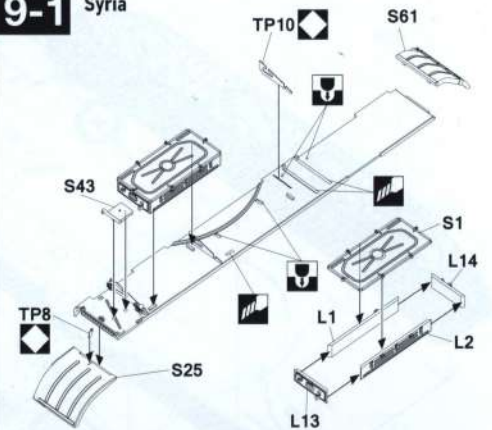
8-2 Poland / Slovenia



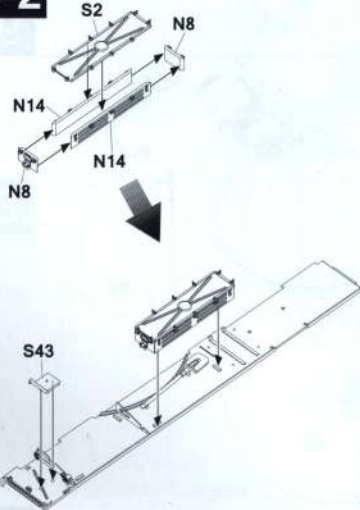
8



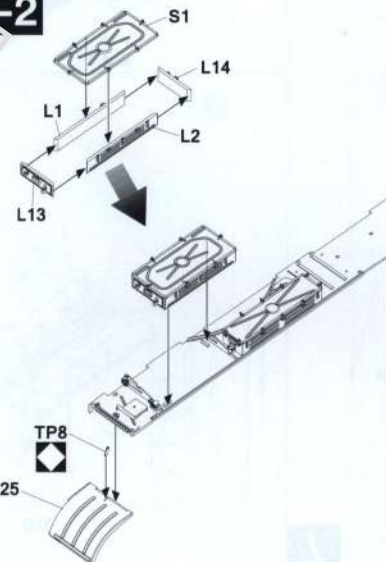
9-1 Syria



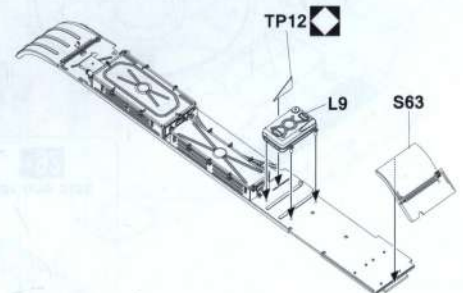
8-2



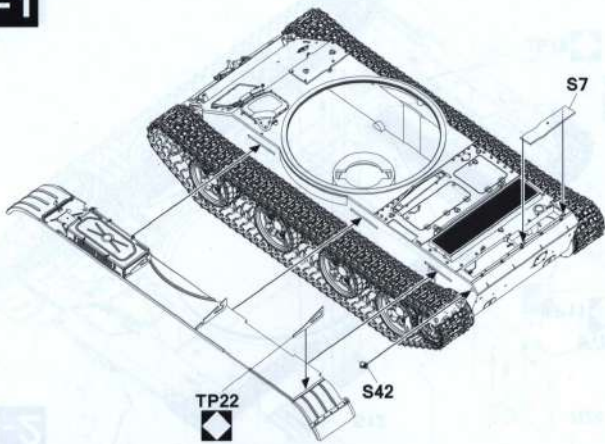
8-2



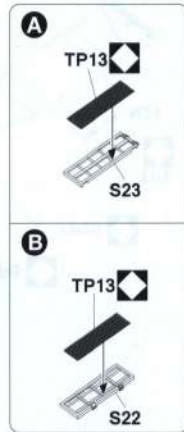
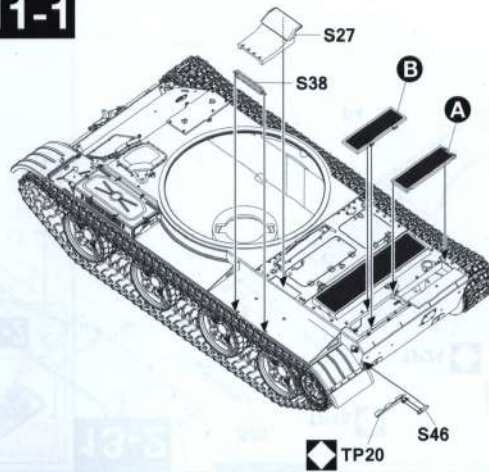
9-2



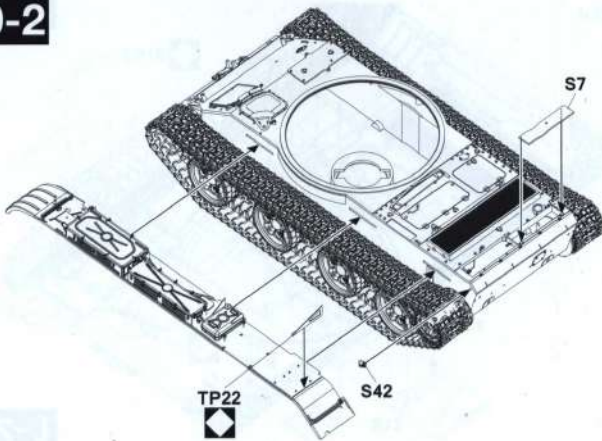
10-1



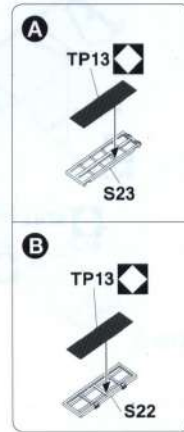
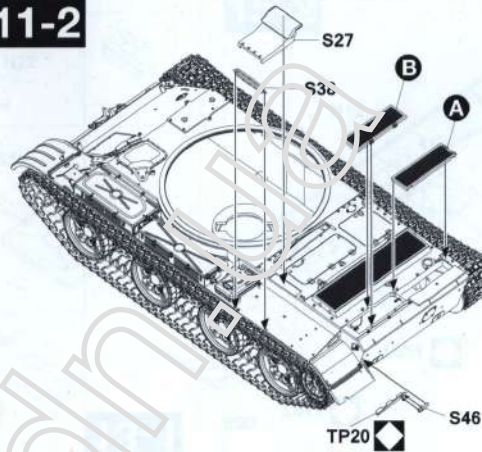
11-1



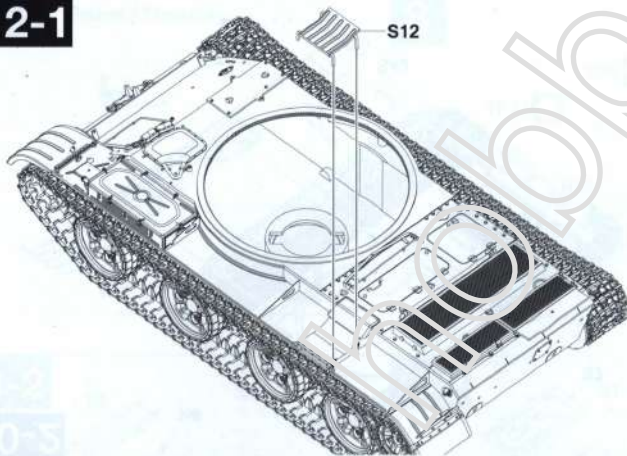
10-2



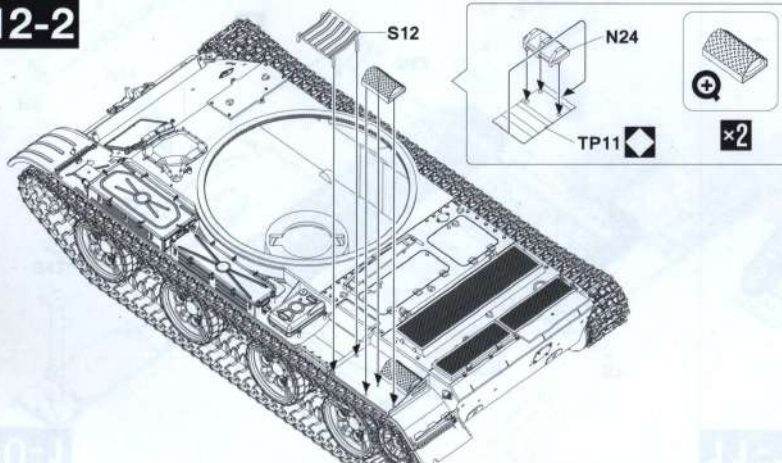
11-2



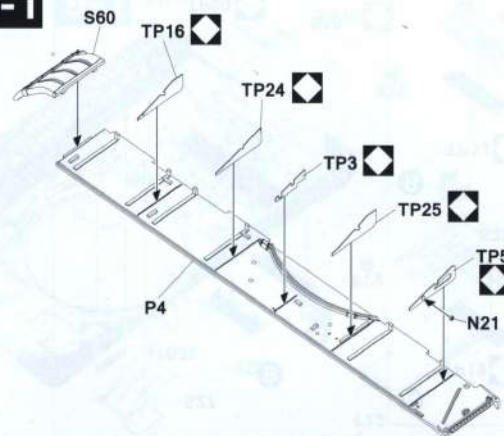
12-1



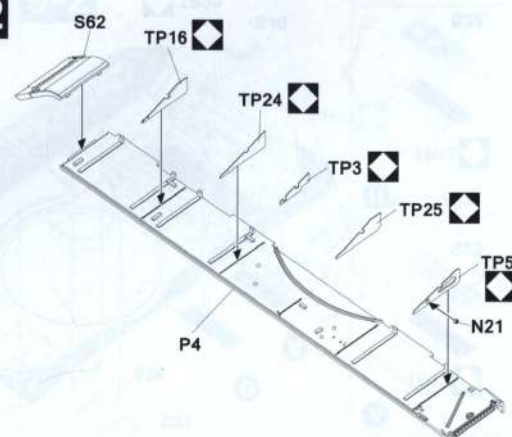
12-2



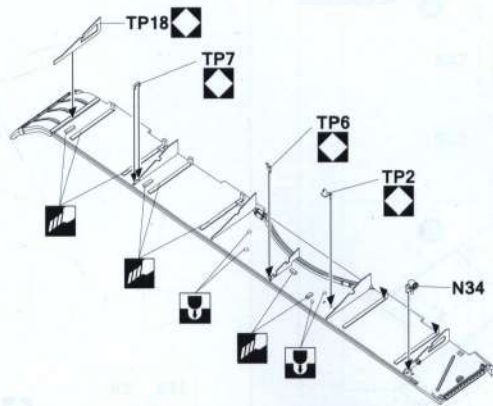
13-1



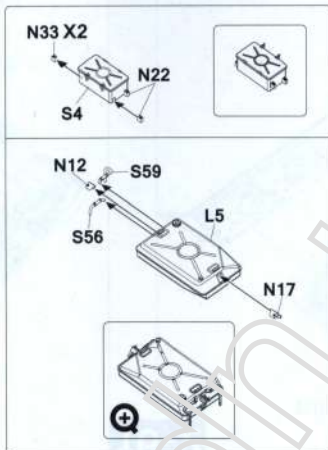
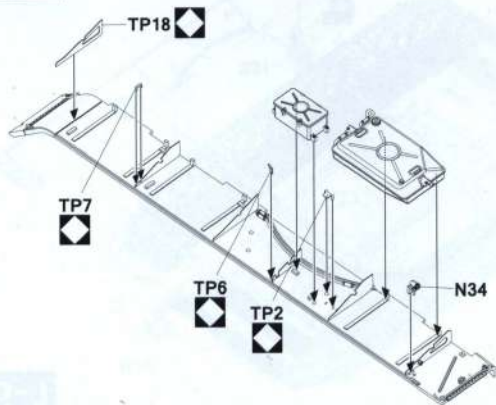
13-2



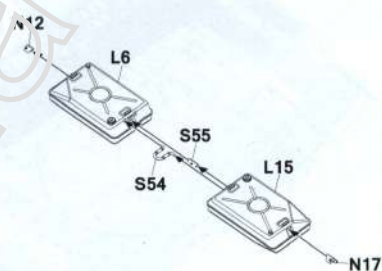
14-1



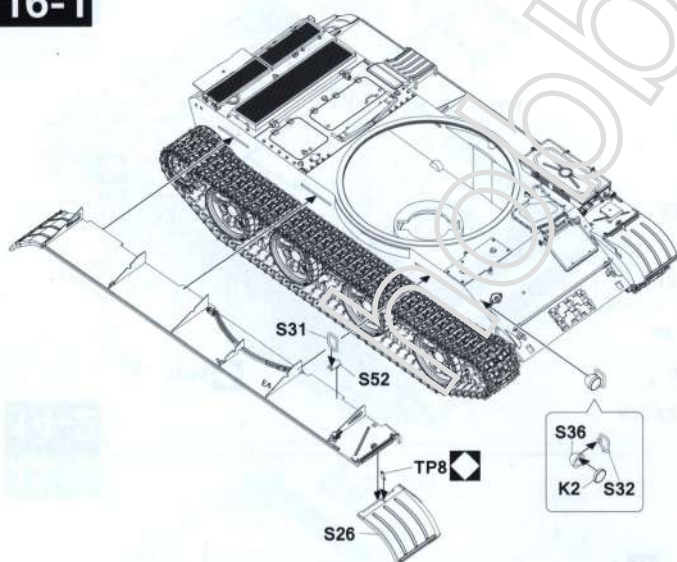
14-2



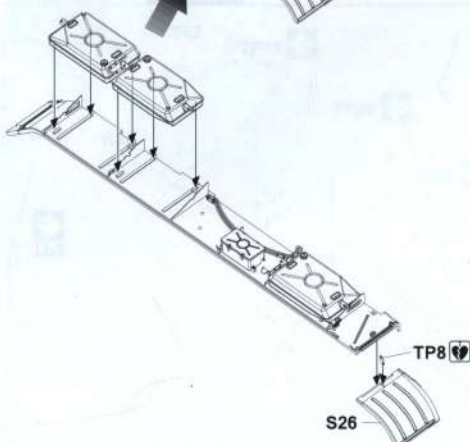
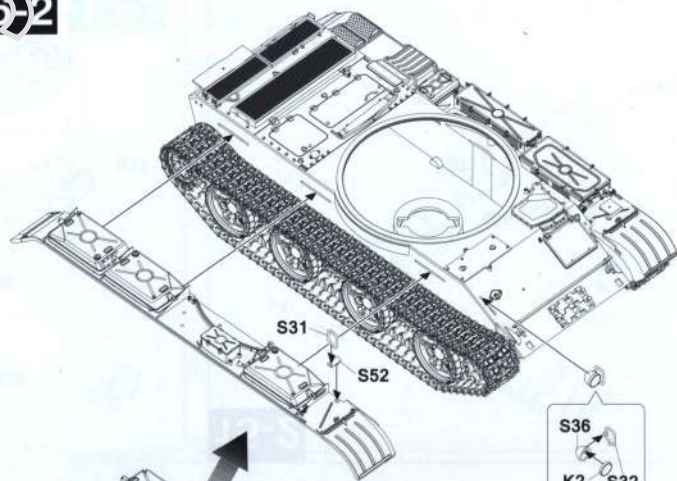
15-2



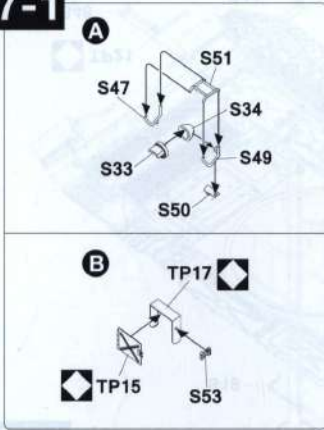
16-1



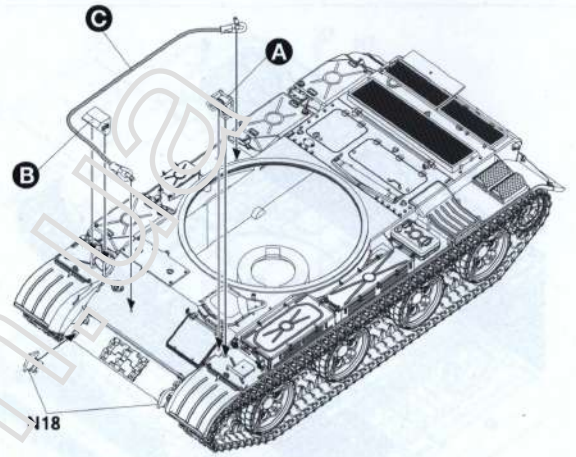
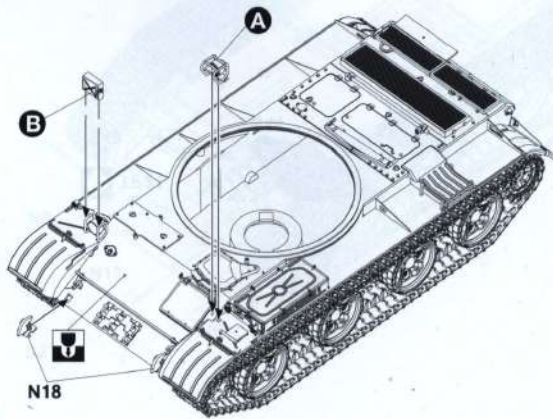
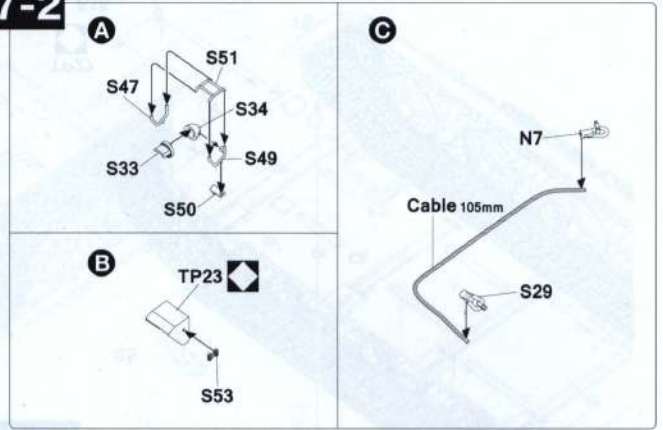
16-2



### 17-1



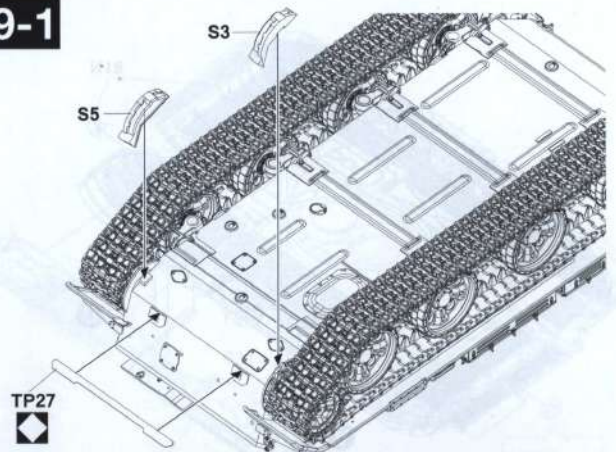
### 17-2



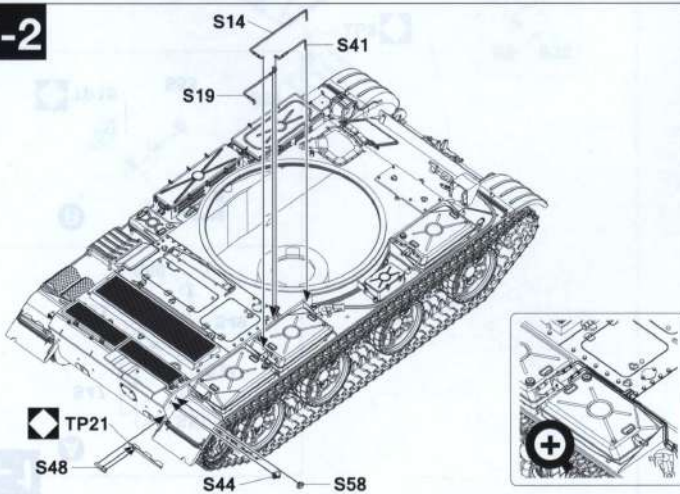
### 18-1



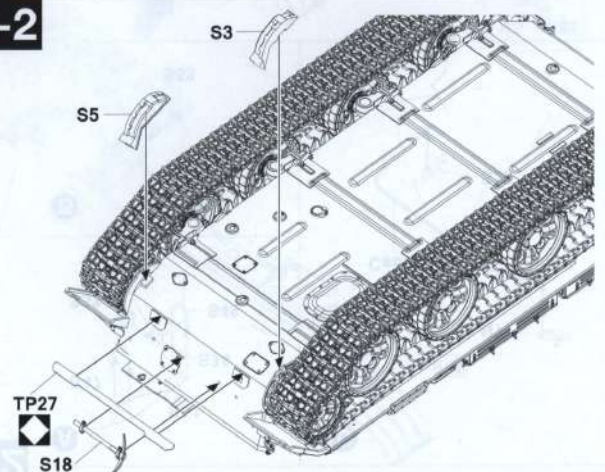
### 19-1



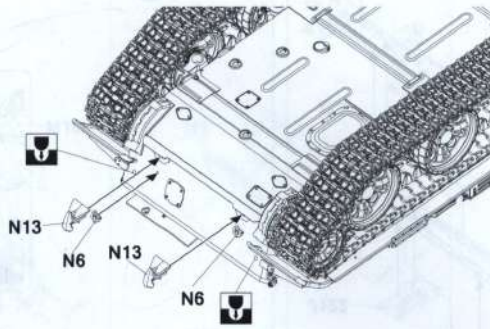
### 18-2



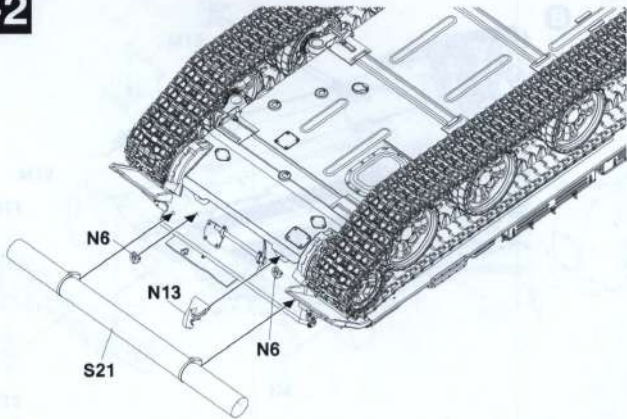
### 19-2



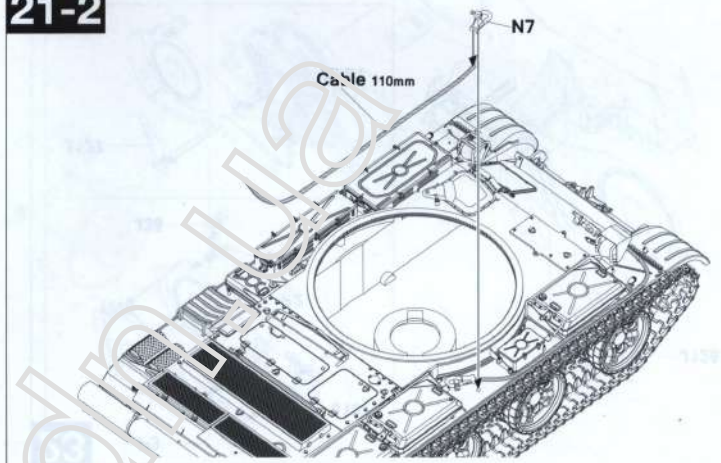
20-1



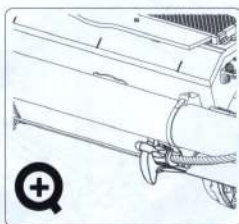
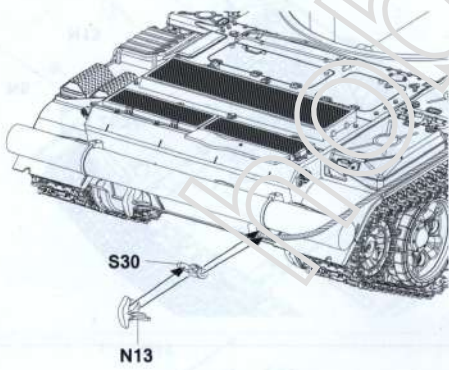
20-2



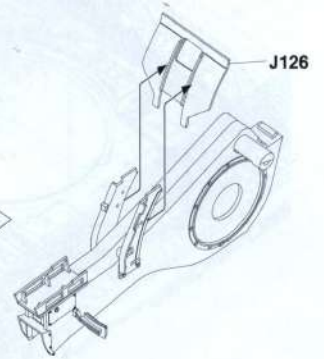
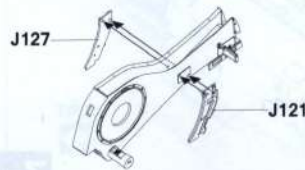
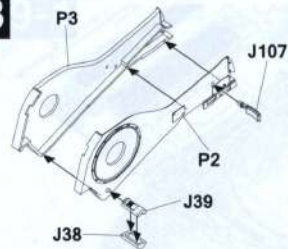
21-2



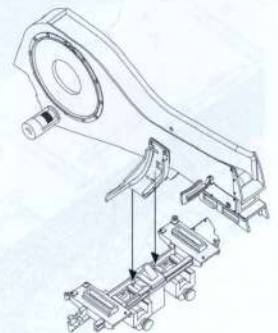
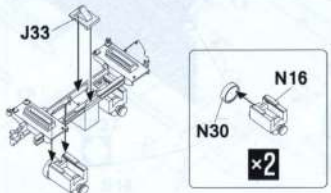
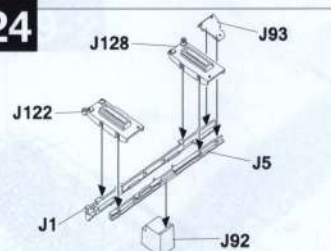
22-2



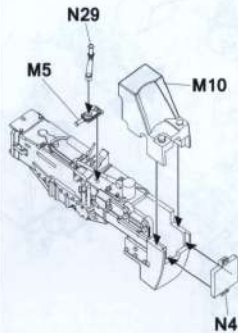
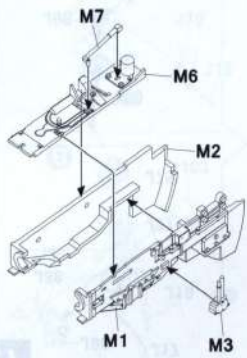
23



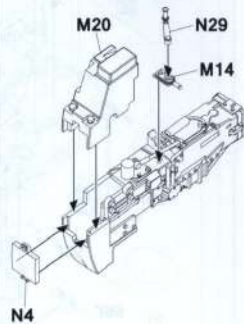
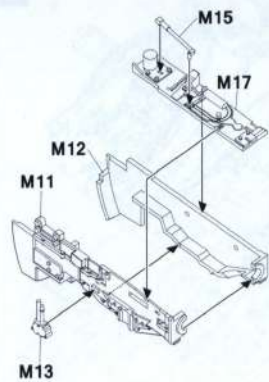
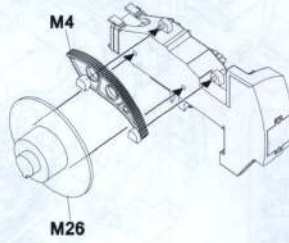
24



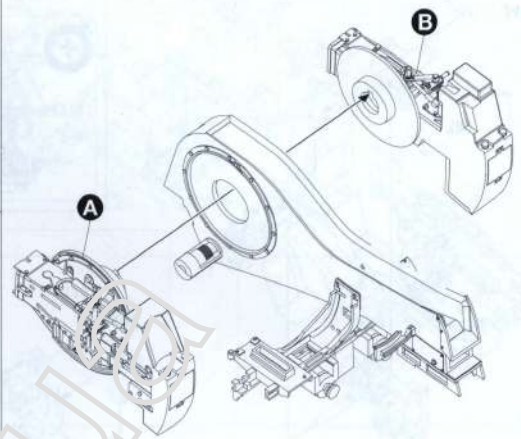
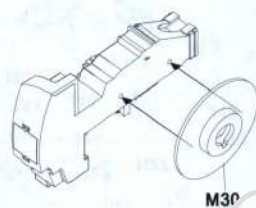
25



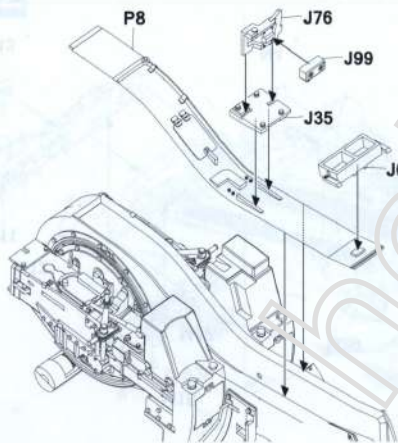
A



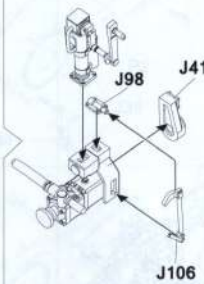
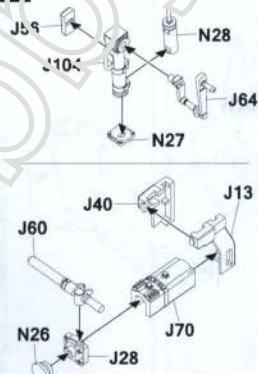
B



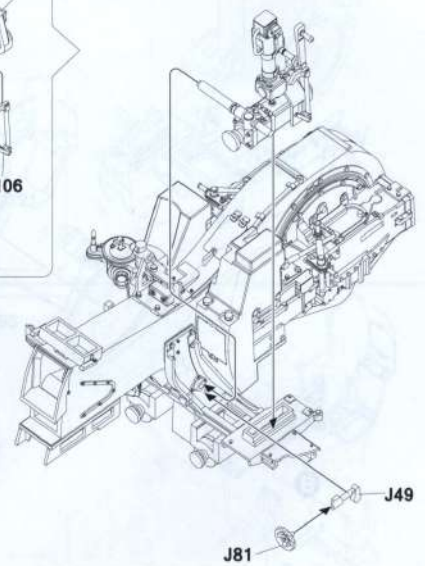
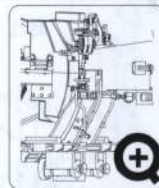
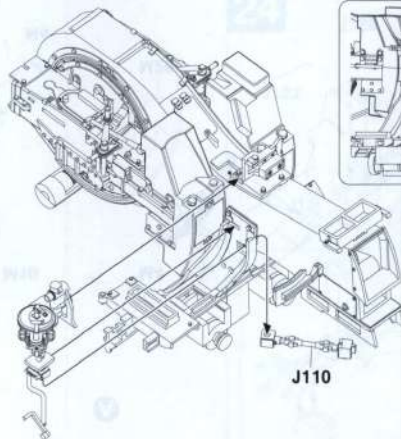
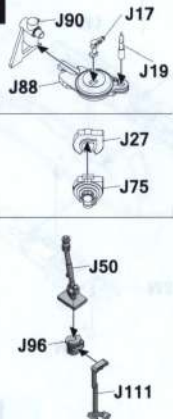
26



28

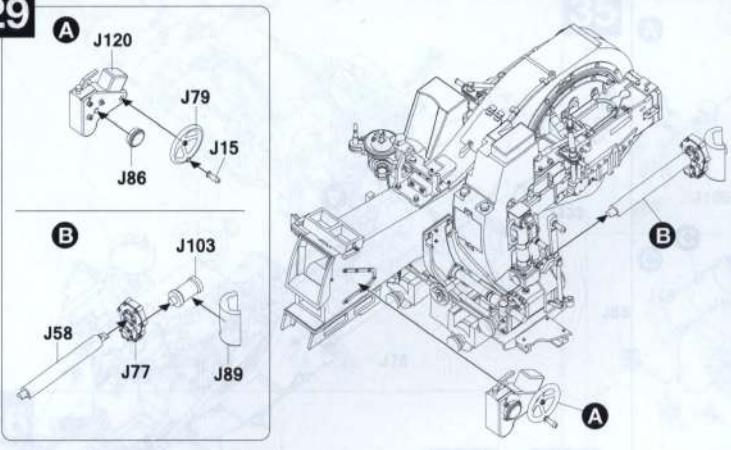


27

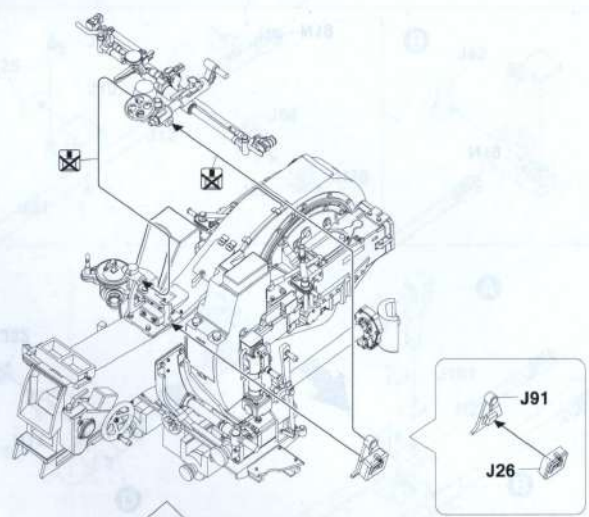




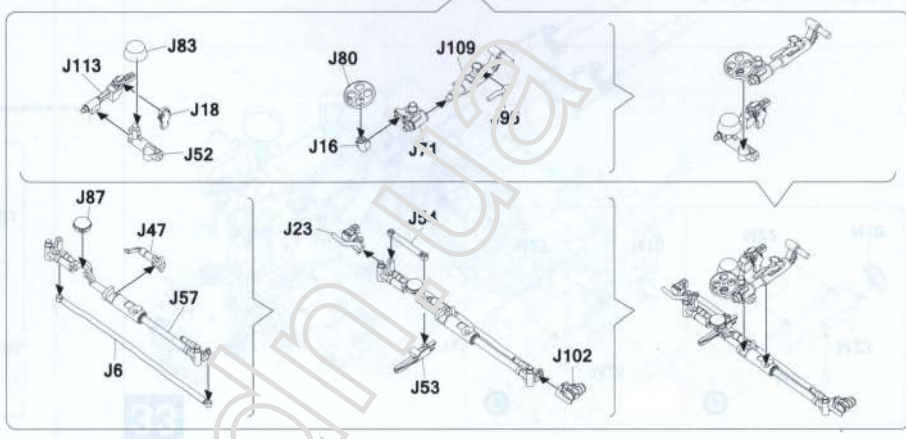
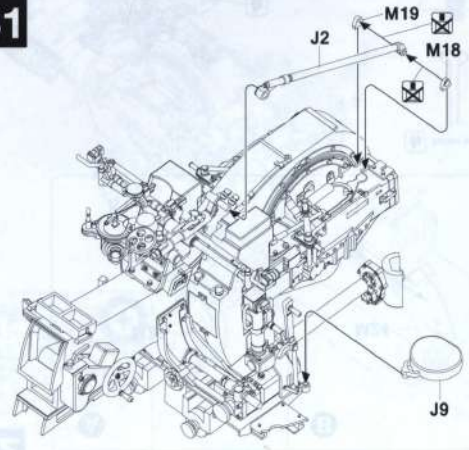
29



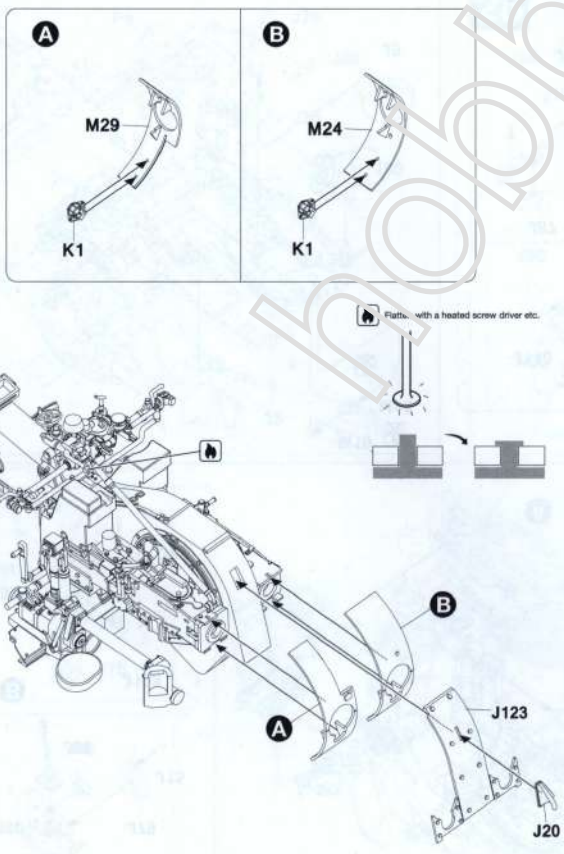
30



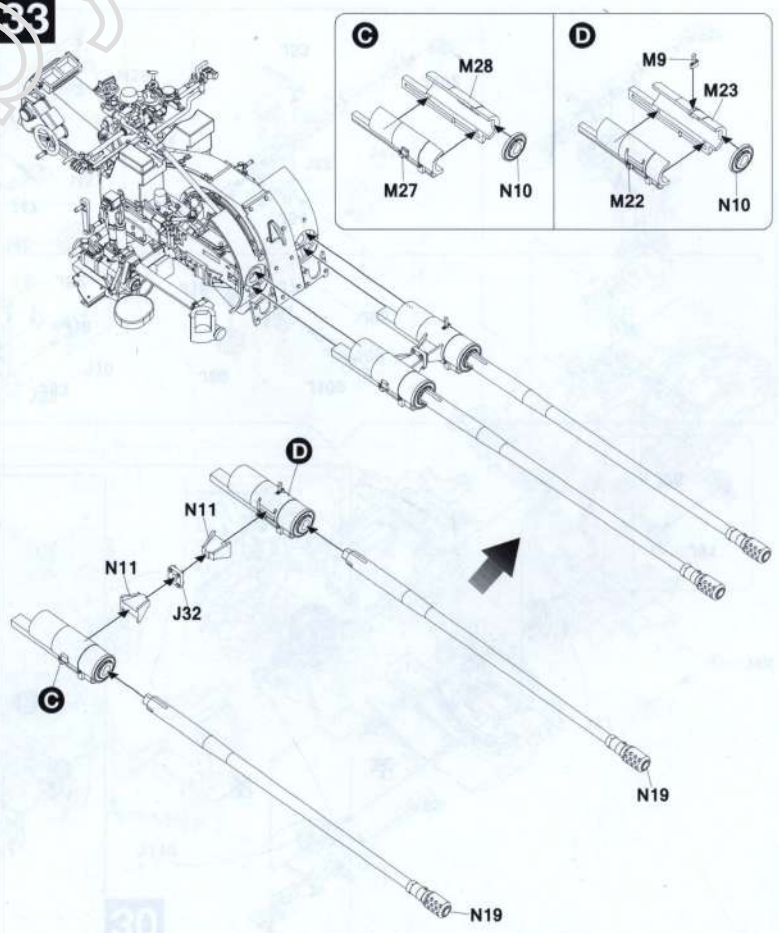
31



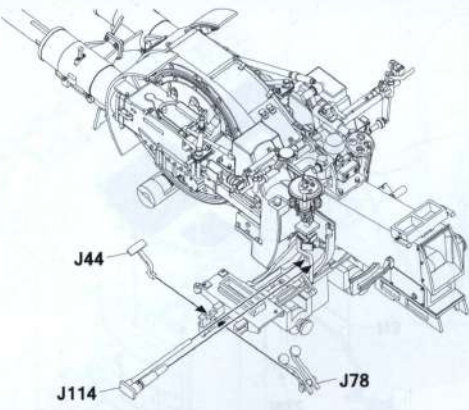
32



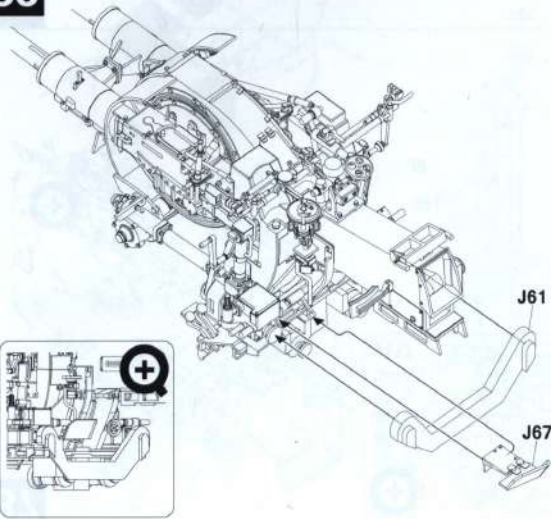
33



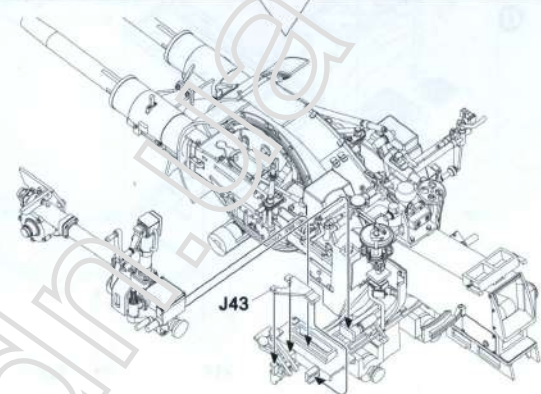
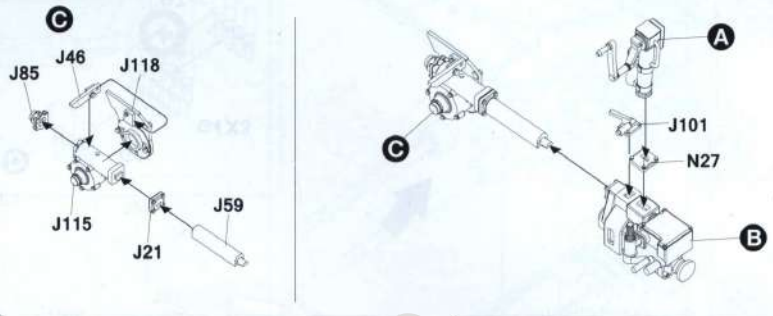
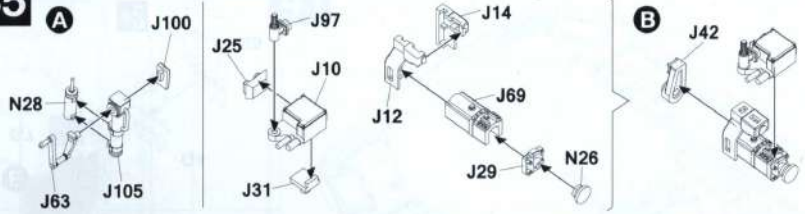
34



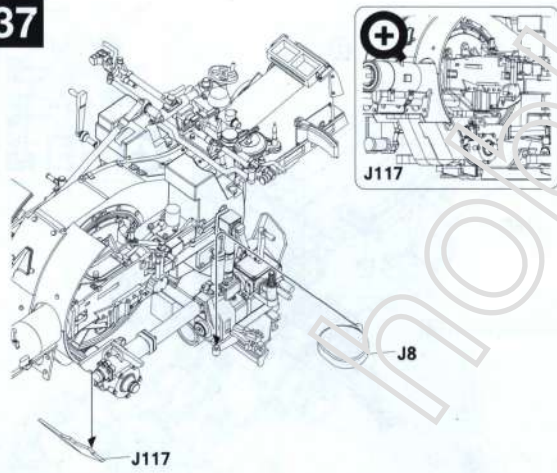
36



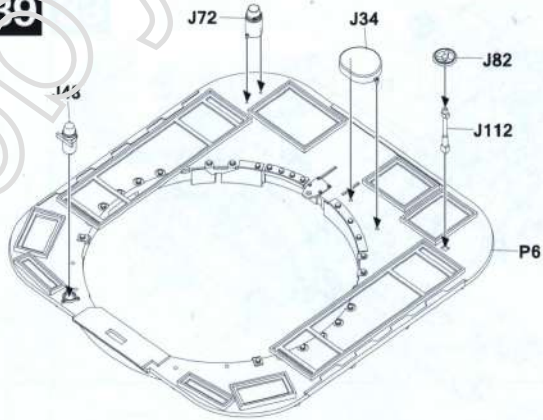
35



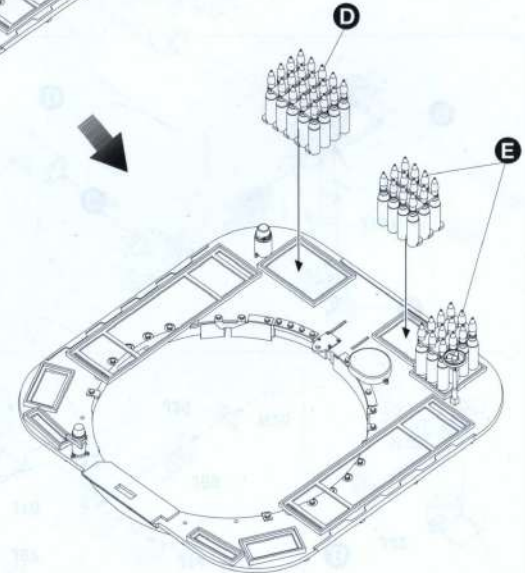
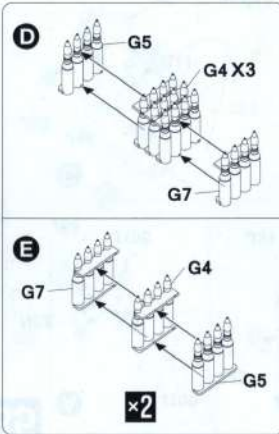
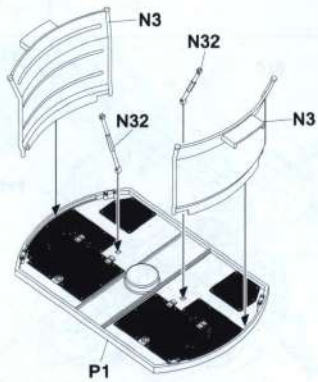
37



39

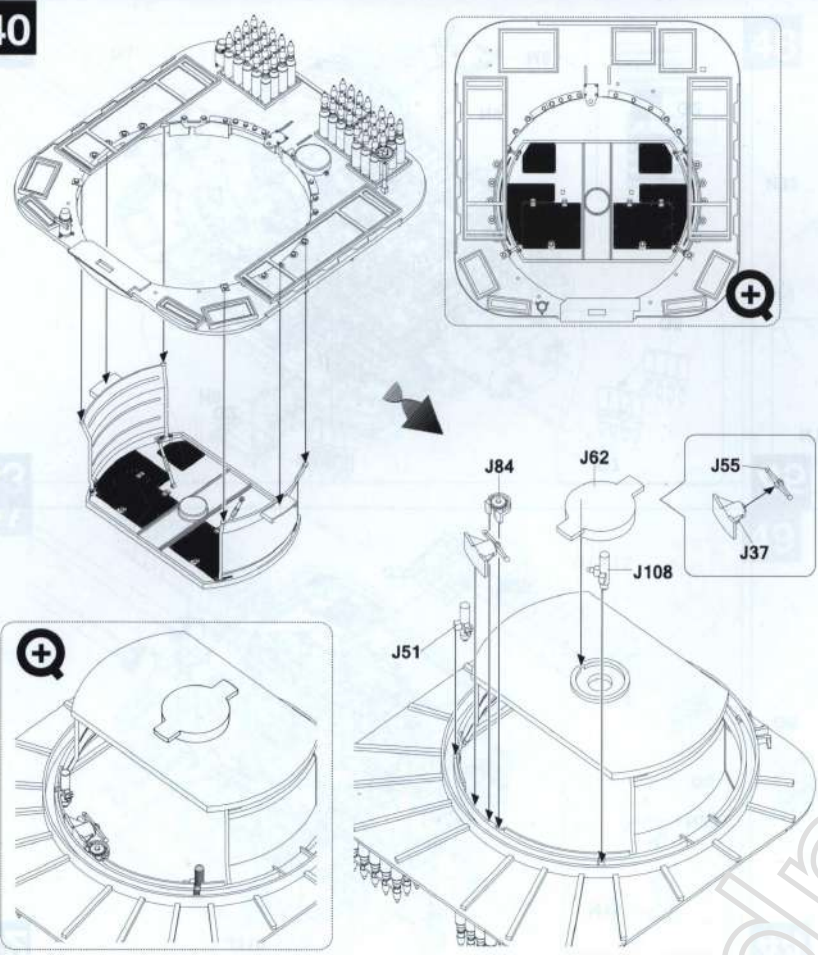


38

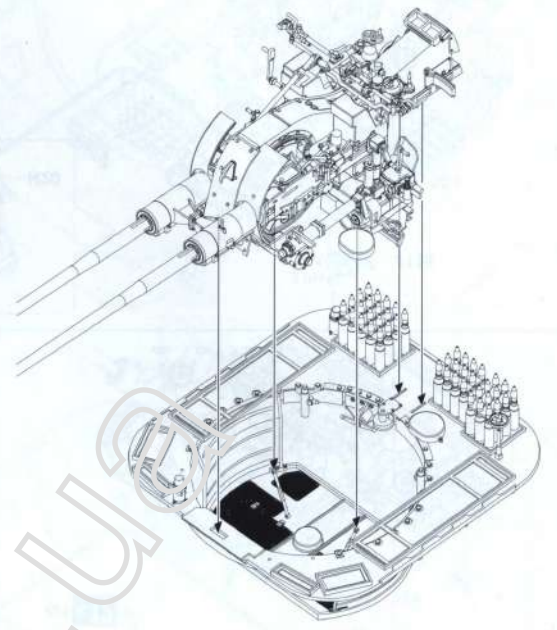


39

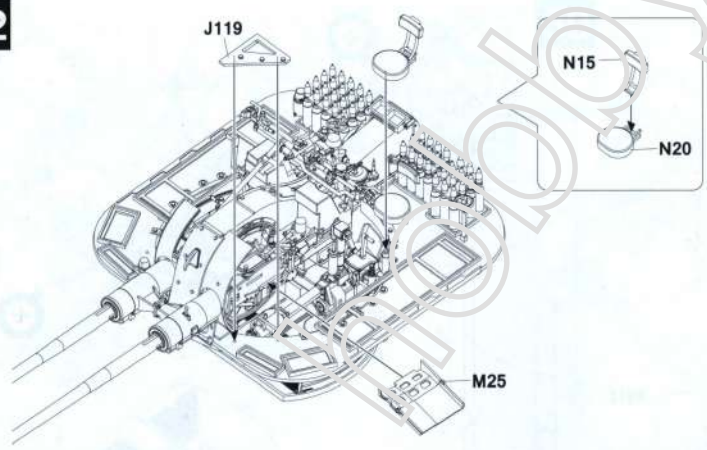
40



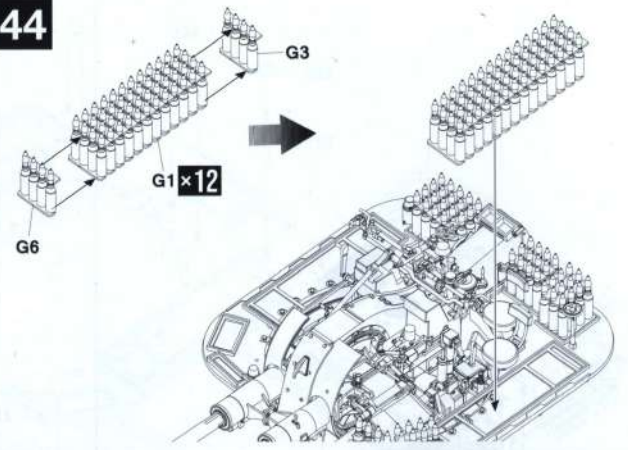
41



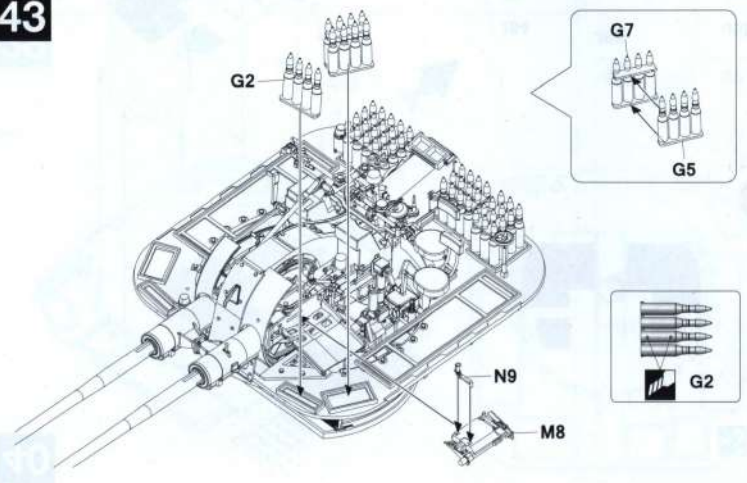
42



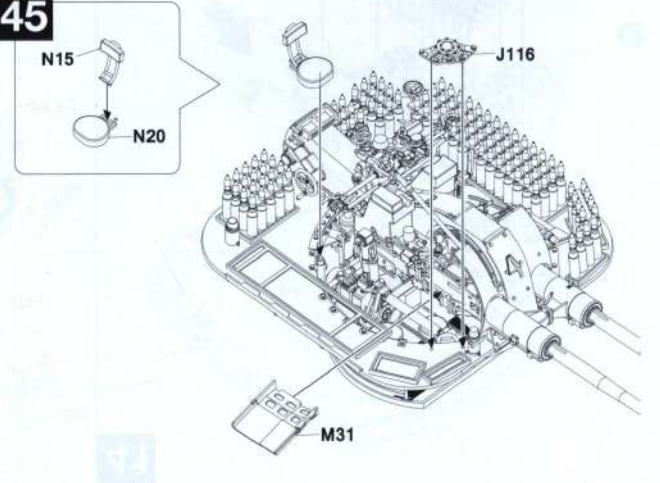
44



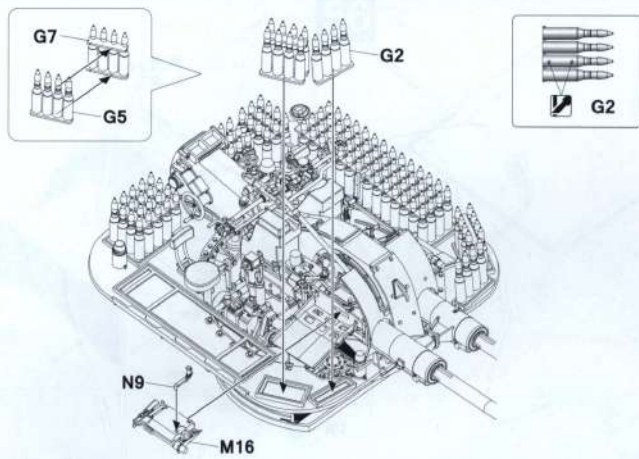
43



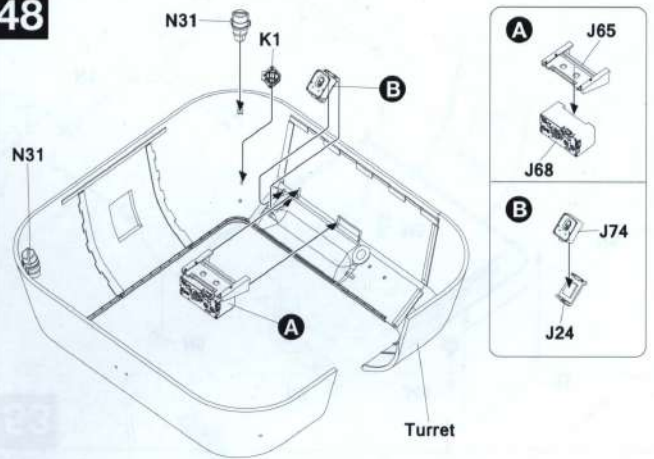
45



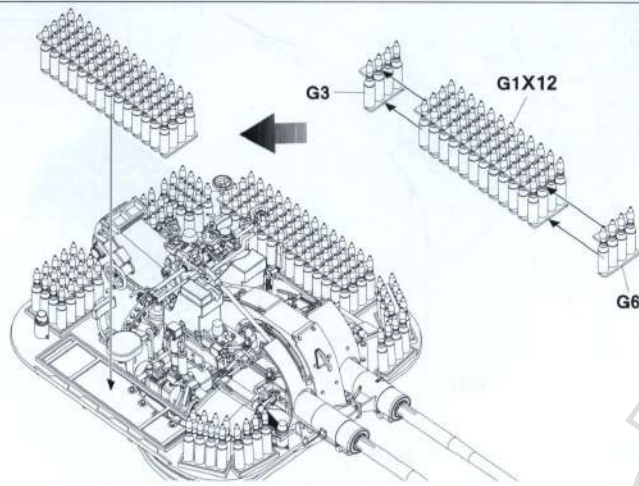
46



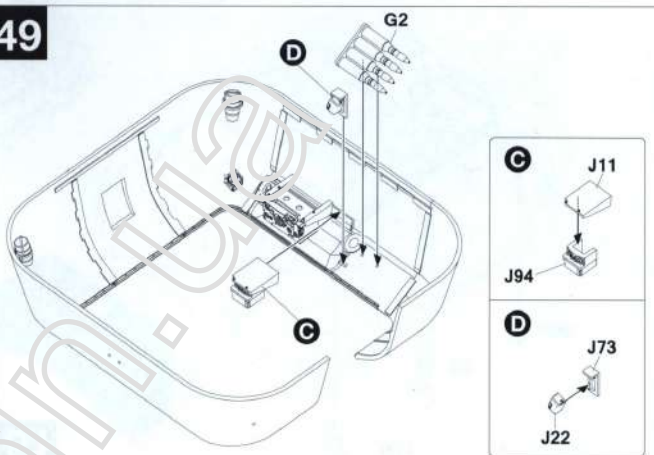
48



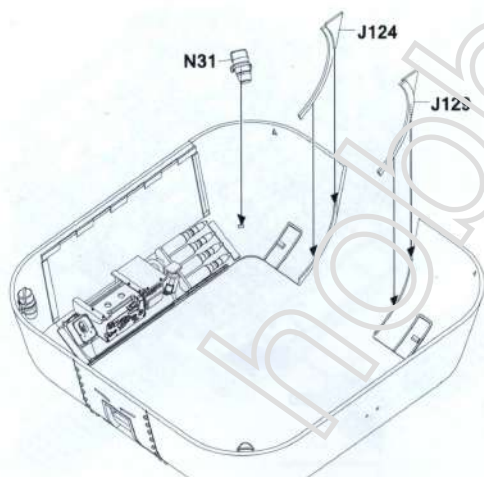
47



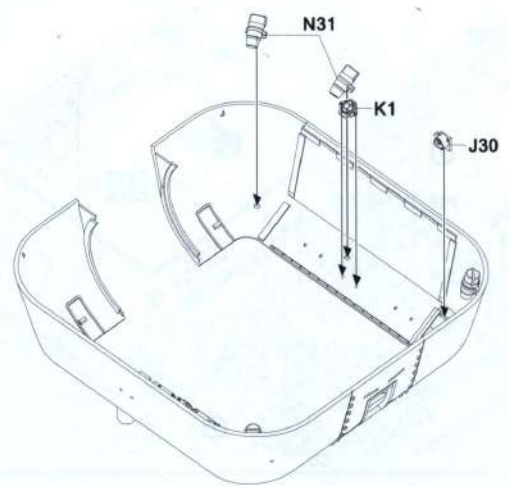
49



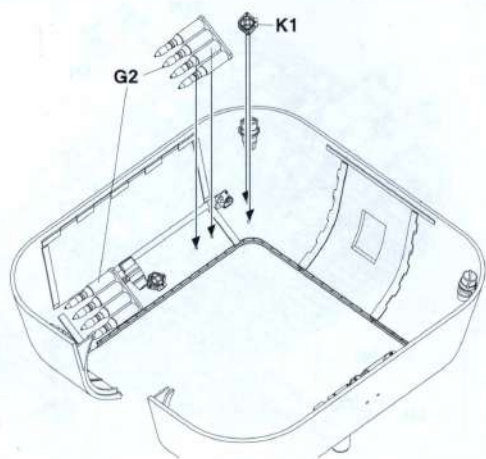
50



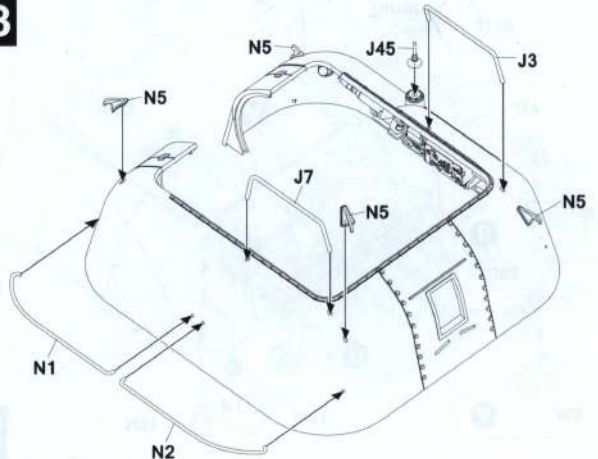
51



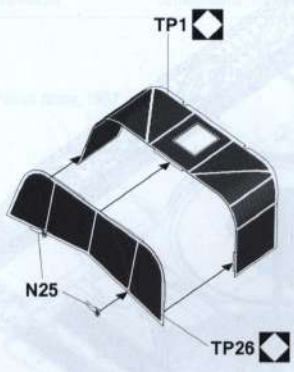
52



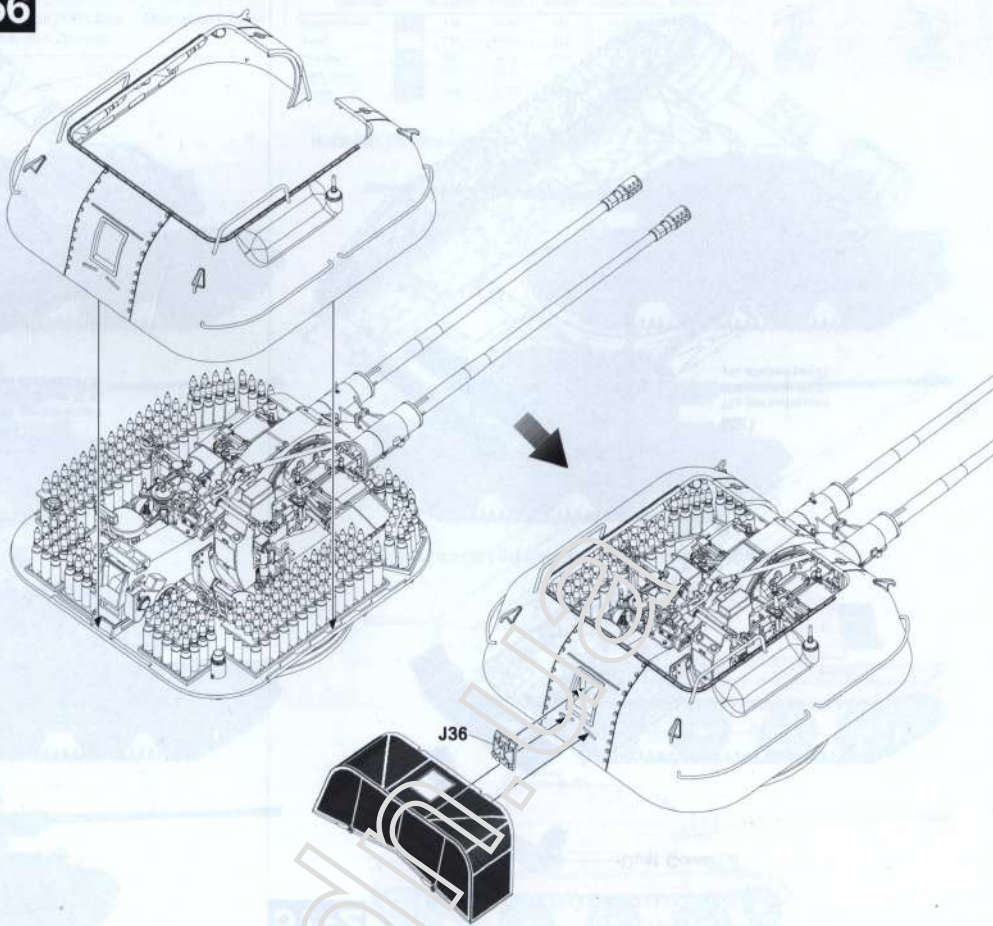
53



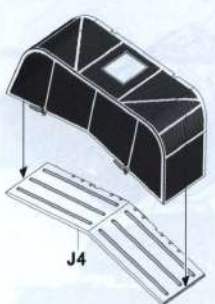
54



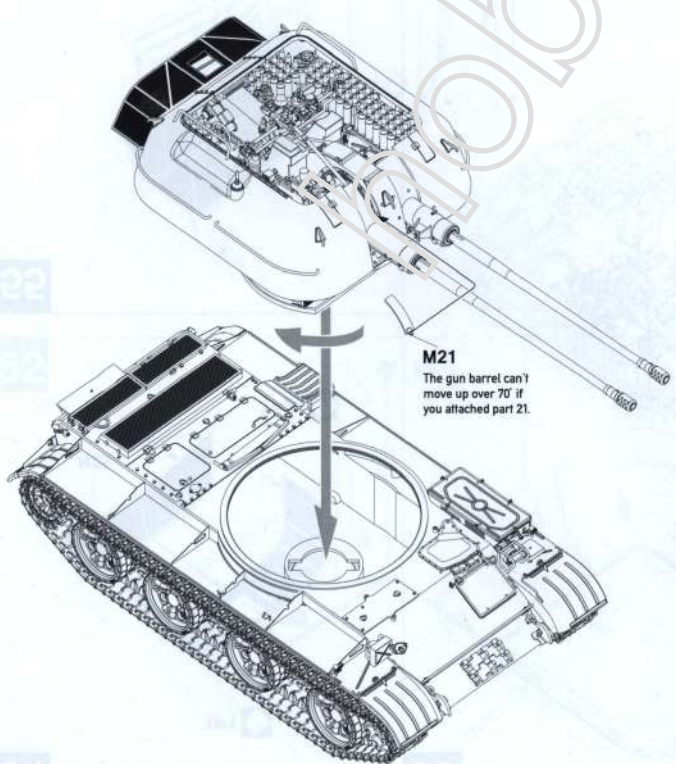
56



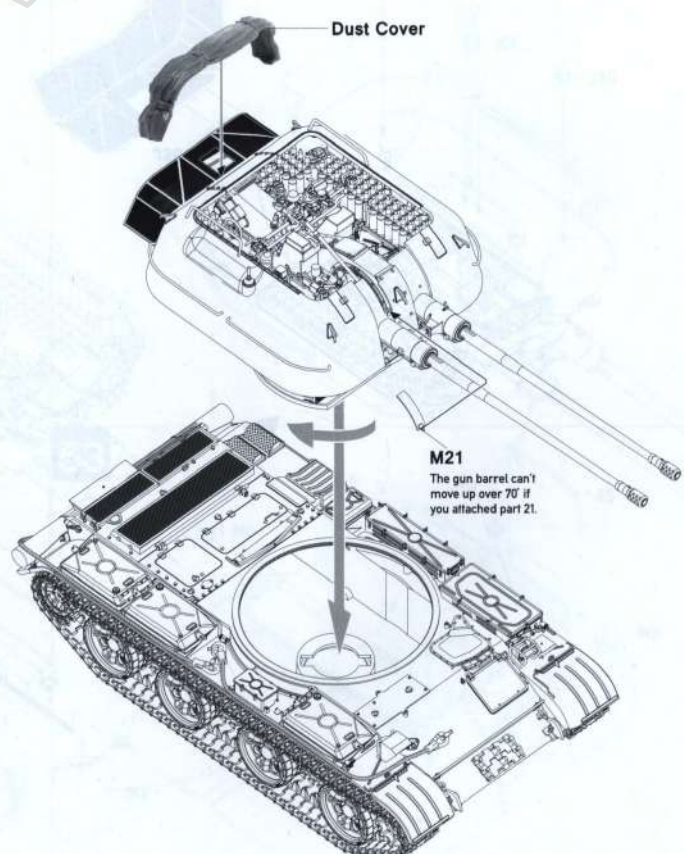
55



57-1



57-2



**MARKINGS AND PAINTING**  
Marcio & Pittura

Markierungen und Bemalung  
Oznakowania i Malowanie

Decoration et Peinture  
Označeni & Zbarveni

Decoración y Pintura

Color Chart	Mr. COLOR	TAMIYA	AMMO	AK Interactive	HATAKA
Russian Green	A 136	XF-65	083	RC-073	113
Sand	B 039	XF-59	222	RC-075	060
Flat Black	C 033	XF-1	046	RC 001	100
Dark Green	D 017	XF-73	059	RC-275	019
Brown	E 310	XF-72	076	RC-035	012



Polish Army, 1957



Hezbollah, Western Qalamoun, Syria 2017



Slovenian Army, ~1990



YPG - Yekineyên Parastina Gel (People's Protection Units), Syria 2016



27

Painting and Marking Guide

- AMS 032 Rubber & Tires
- AMS 034 Rail Tracks
- AMS 036 Old Wood
- AMS 038 Gun Barrel
- AMS 013 Red Brown Base
- AMS 083 Sublimity Yellow

North Vietnamese Army,  
Vietnam War

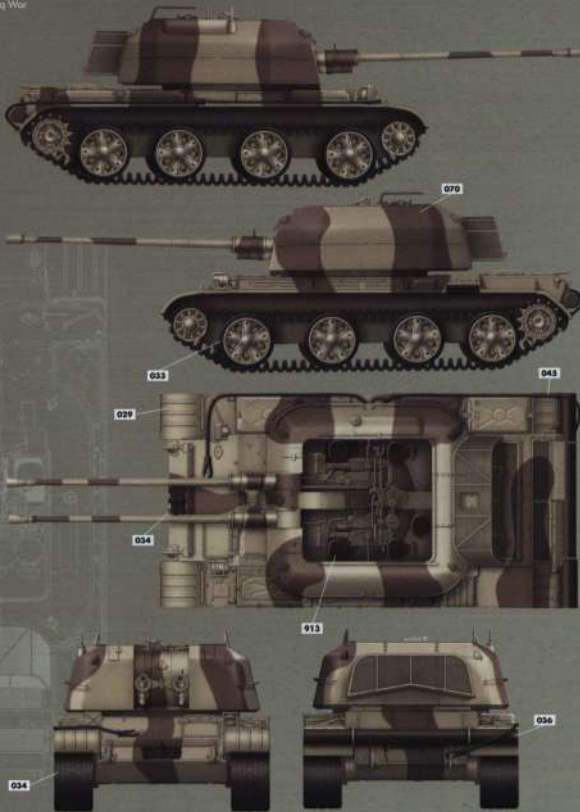


**TAKOM** Soviet SPAAG ZSU-57-2 Late Type (2 IN 1). Ref: 2058

Painting and Marking Guide

- AMIG 033 Rubber & Tire
- AMIG 034 Rust Tracks
- AMIG 036 Old Wood
- AMIG 043 Gun Metal
- AMIG 913 Red Brown Base
- AMIG 029 Desert Sand
- AMIG 070 Muddy Brown

Iron Army  
Iran-Iraq War

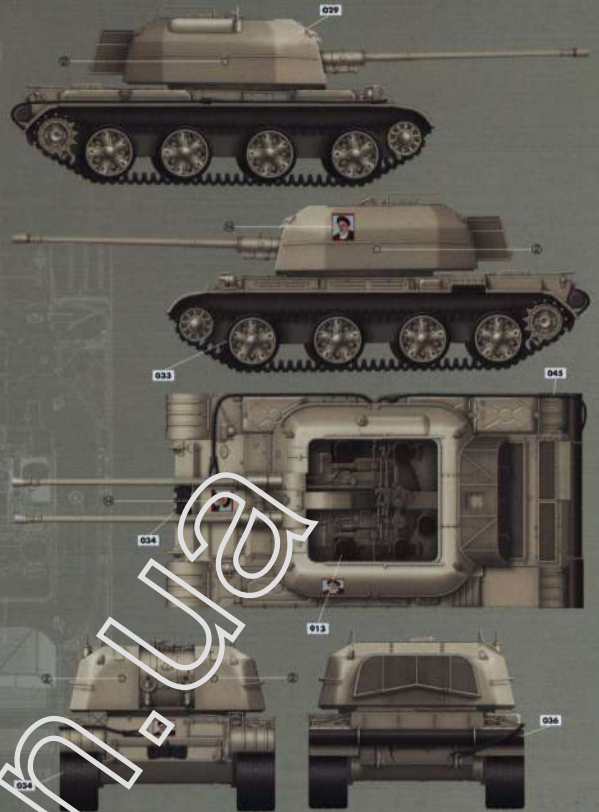


TAKOM Soviet SPAAG ZSU-57-2 Late Type (2 IN 1), Ref: 2058

Painting and Marking Guide

- AMIG 033 Rubber & Tire
- AMIG 034 Rust Tracks
- AMIG 036 Old Wood
- AMIG 043 Gun Metal
- AMIG 913 Red Brown Base
- AMIG 029 Desert Sand

Iron Army

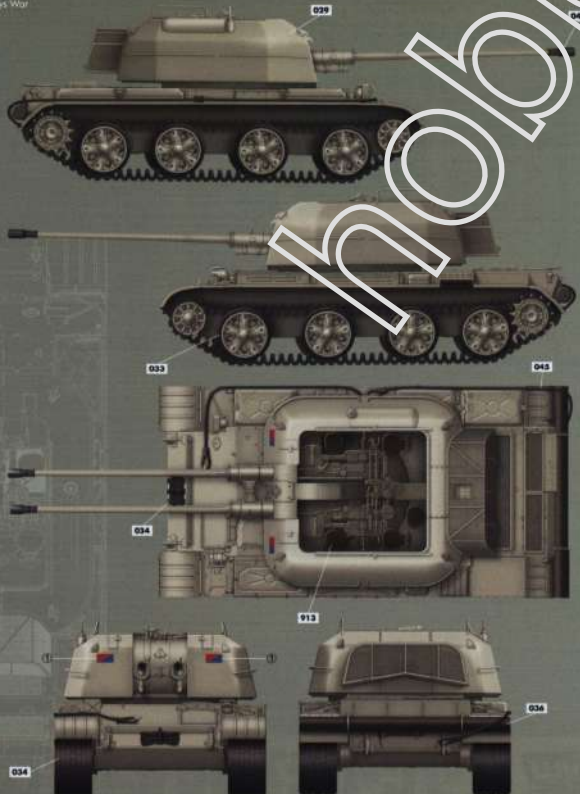


TAKOM Soviet SPAAG ZSU-57-2 Late Type (2 IN 1), Ref: 2058

Painting and Marking Guide

- AMIG 033 Rubber & Tire
- AMIG 034 Rust Tracks
- AMIG 036 Old Wood
- AMIG 043 Gun Metal
- AMIG 913 Red Brown Base
- AMIG 029 Desert Sand
- AMIG 046 Muddy Brown

Egyptian Army  
Six Days War

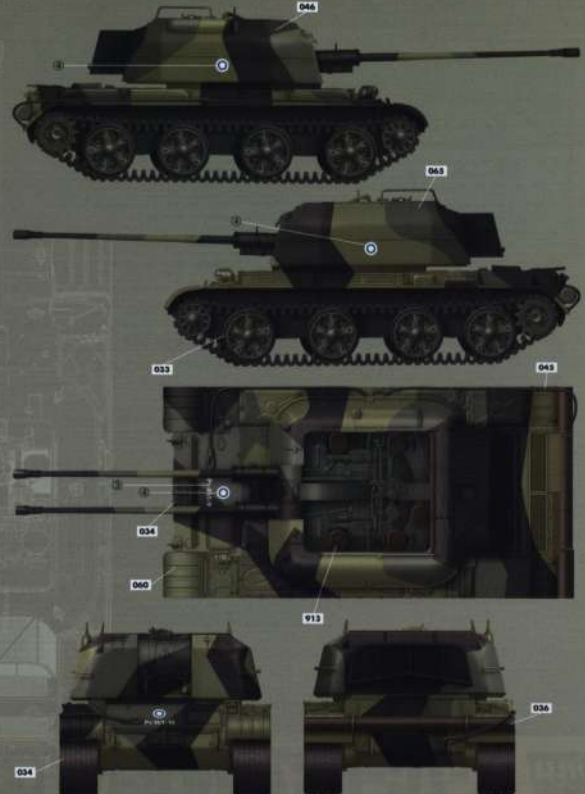


TAKOM Soviet SPAAG ZSU-57-2 Late Type (2 IN 1), Ref: 2058

Painting and Marking Guide

- AMIG 033 Rubber & Tire
- AMIG 034 Rust Tracks
- AMIG 036 Old Wood
- AMIG 043 Gun Metal
- AMIG 913 Red Brown Base
- AMIG 046 Muddy Brown
- AMIG 060 Light Green M22
- AMIG 063 Dark Green M21

Finnish Army

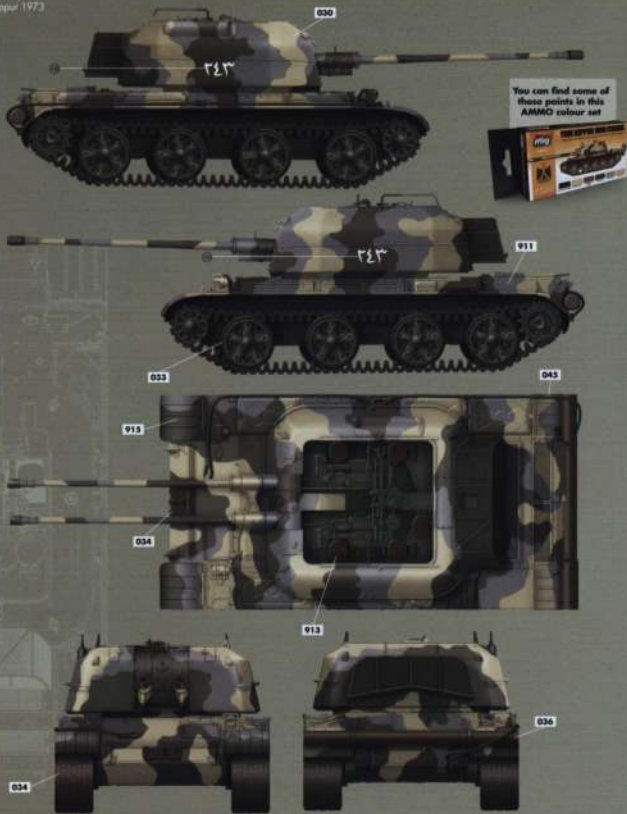


TAKOM Soviet SPAAG ZSU-57-2 Late Type (2 IN 1), Ref: 2058

Painting and Marking Guide

- AMMO 033 Rubber & Tires
- AMMO 034 Rust Tracks
- AMMO 036 Old Wood
- AMMO 045 Dark Metal
- AMMO 913 Red Brown Base
- AMMO 030 Sand Yellow
- AMMO 911 Gray Skins
- AMMO 915 Dark Green

Syrian Army, Yarmouk 1973

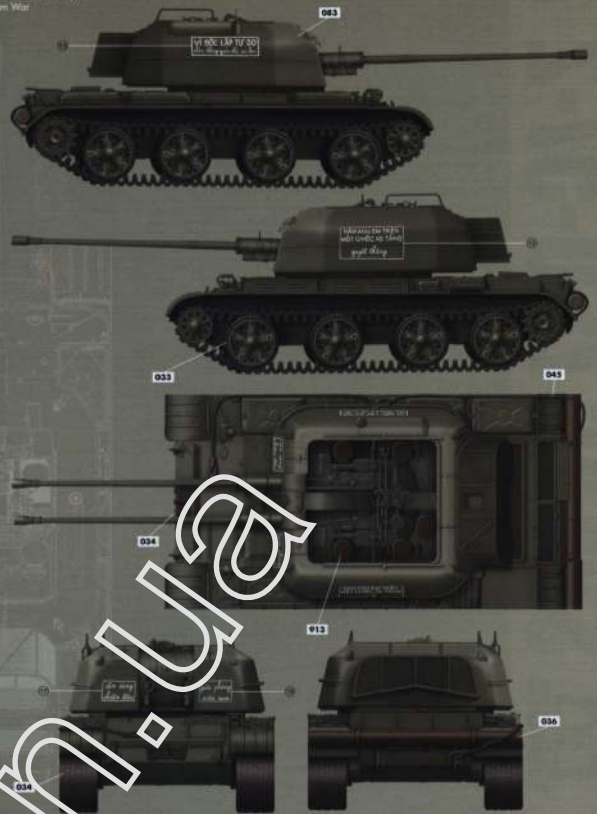


TAKOM Soviet SPAAG ZSU-57-2 Late Type (2 IN 1), Ref: 2058

Painting and Marking Guide

- AMMO 033 Rubber & Tires
- AMMO 034 Rust Tracks
- AMMO 036 Old Wood
- AMMO 045 Dark Metal
- AMMO 913 Red Brown Base
- AMMO 083 Subfactory Yellow

North Vietnamese Army, Vietnam War

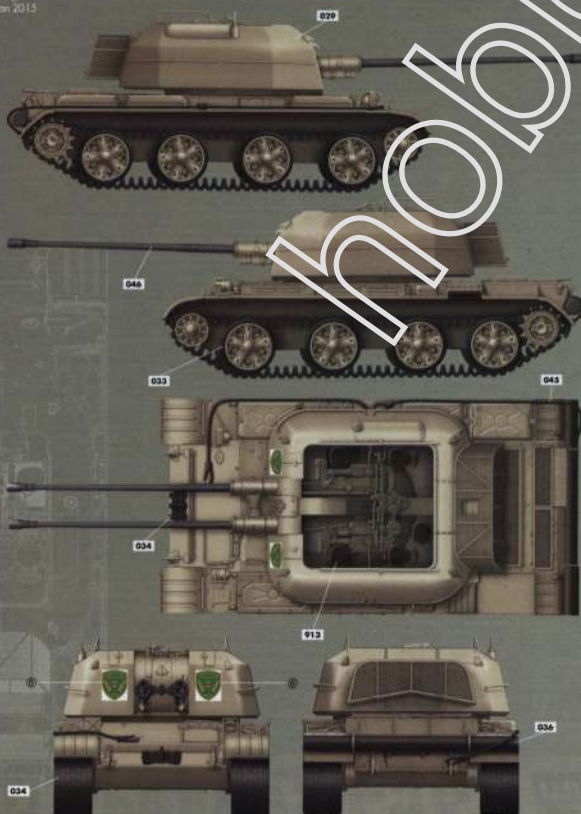


TAKOM Soviet SPAAG ZSU-57-2 Late Type (2 IN 1), Ref: 2058

Painting and Marking Guide

- AMMO 033 Rubber & Tires
- AMMO 034 Rust Tracks
- AMMO 036 Old Wood
- AMMO 045 Dark Metal
- AMMO 913 Red Brown Base
- AMMO 028 Desert Sand
- AMMO 046 Red Brick

North Iraq, Kurdistan 2015



TAKOM Soviet SPAAG ZSU-57-2 Late Type (2 IN 1), Ref: 2058

Painting and Marking Guide

- AMMO 033 Rubber & Tires
- AMMO 034 Rust Tracks
- AMMO 036 Old Wood
- AMMO 045 Dark Metal
- AMMO 913 Red Brown Base
- AMMO 065 Forest Green

NVA Germany



TAKOM Soviet SPAAG ZSU-57-2 Late Type (2 IN 1), Ref: 2058

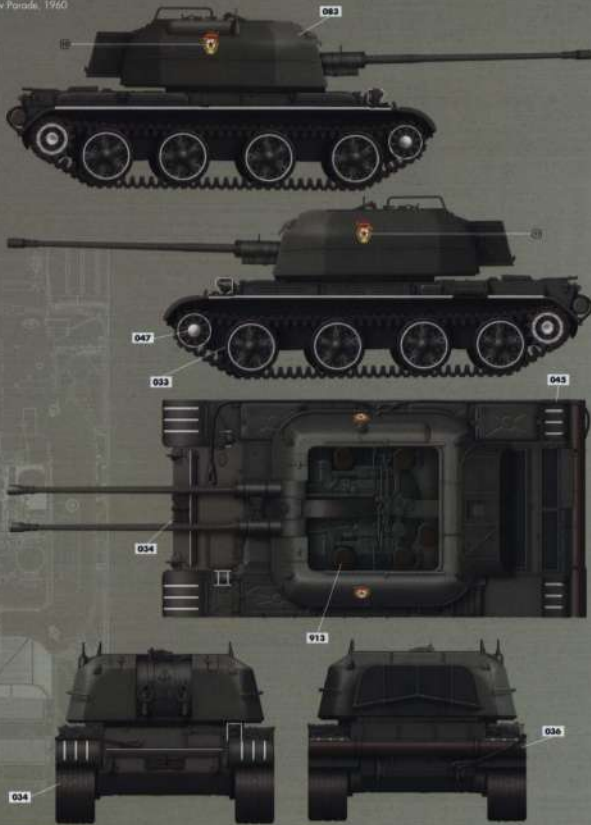


Painting and Marking Guide

A.MIG 033 Rubber & Tires A.MIG 034 Rail Tracks A.MIG 036 Oak Wood A.MIG 043 Gun Metal

A.MIG 913 Red Brown Base A.MIG 047 Silver White A.MIG 053 Goldbrass Detail

Soviet Army  
Moscow Parade, 1960



TAKOM Soviet SPAAG ZSU-57-2 Late Type (2 IN 1). Ref. 2058

Painting and Marking Guide

A.MIG 033 Rubber & Tires A.MIG 034 Rail Tracks A.MIG 036 Oak Wood A.MIG 043 Gun Metal

A.MIG 913 Red Brown Base A.MIG 022 Protective Green A.MIG 046 Iron Black

Serbian Army  
Balkan War 1991



TAKOM Soviet SPAAG ZSU-57-2 Late Type (2 IN 1). Ref. 2058

hobby.dn.ua