

# T-55AM2B "KLADIVO"

1:35 Scale Model Kit

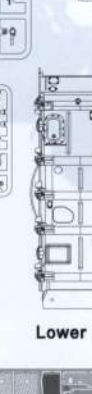
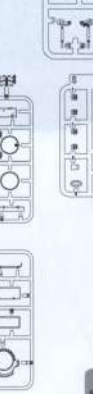
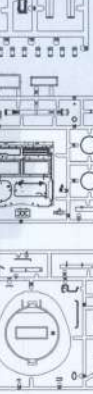
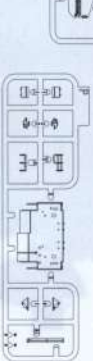
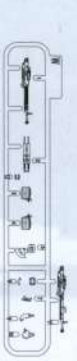
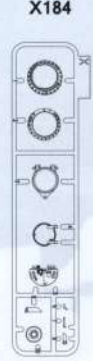
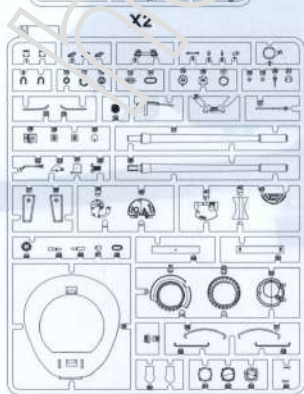
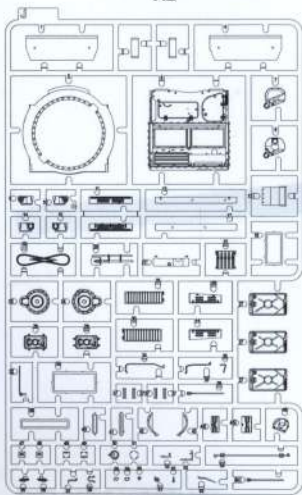
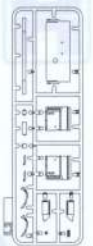
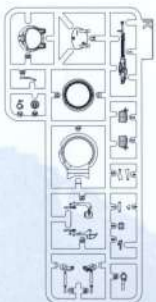
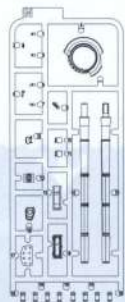
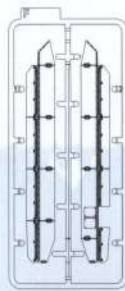
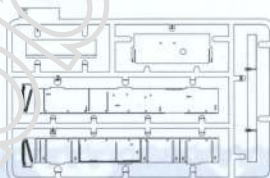
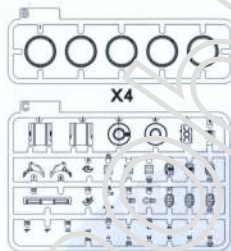
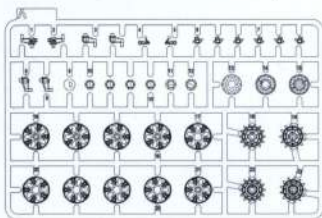


Instruction & Painting Manual

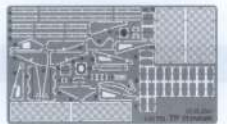
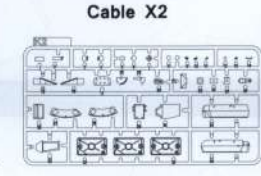
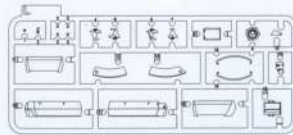
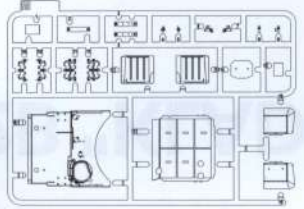
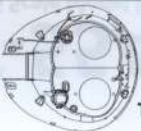


## PARTS

	REMOVE ENTFERNEN WYCIĄC ODSTRANIT		RETIRER CORTAR SEPARARE		OPEN HOLE OFFEN WYKOPAC OTWÓR WYKAT OTVOR		FORCE OPEN HACER AQUJERO FAIRE UN TRUC U		CA GLUE CA KLEBER KLEJ CA CA LEPIDLO		COLLA CA PEGAMENTO CA COLLE CA		OPTION NACH BELIEBEN DO WYBORU VOLBA		FACULTATIF HACER AQUJERO FACOLTATIVO
--	--	--	-------------------------------	--	--	--	--	--	---	--	--------------------------------------	--	---	--	--

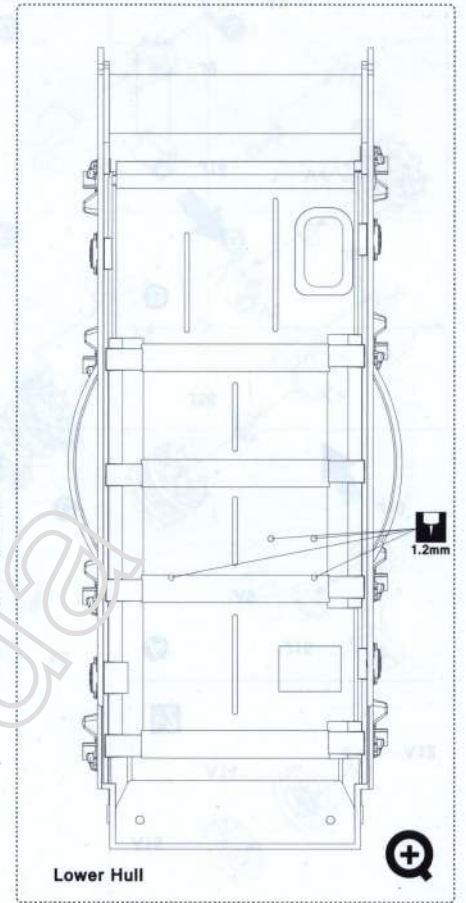
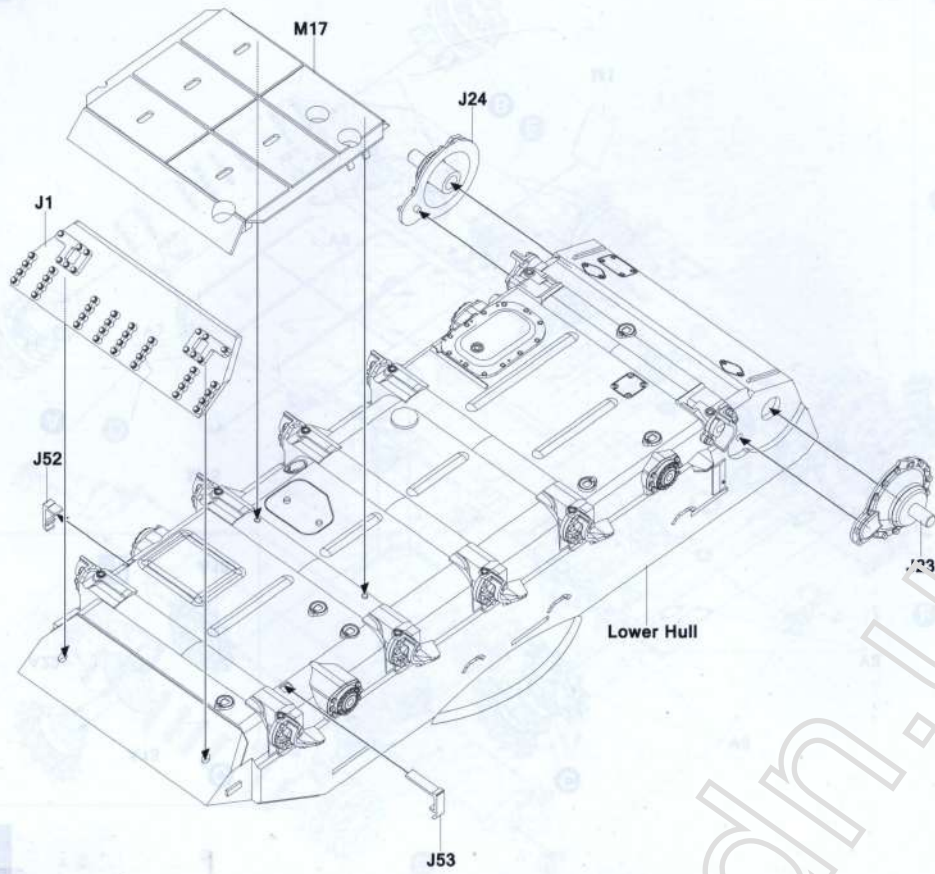


Lower Hull



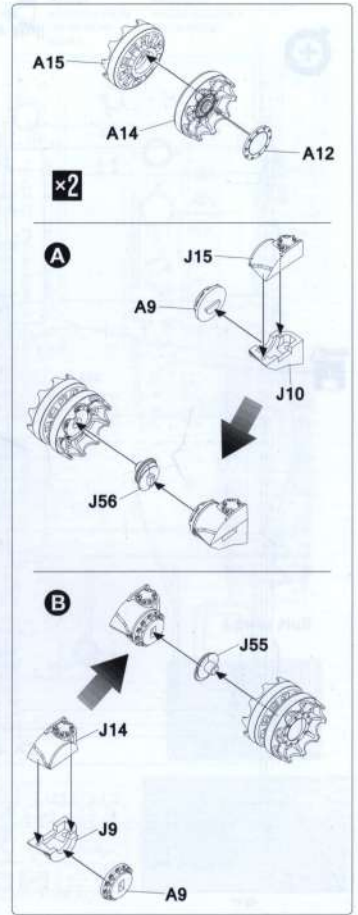
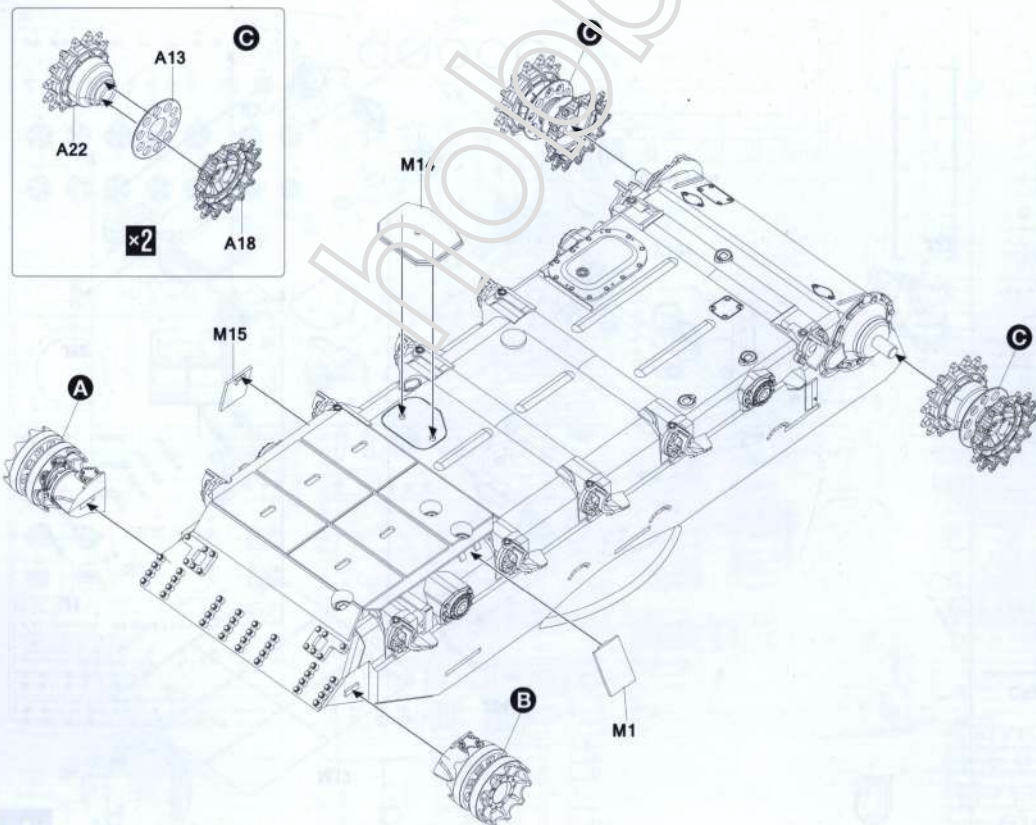


1

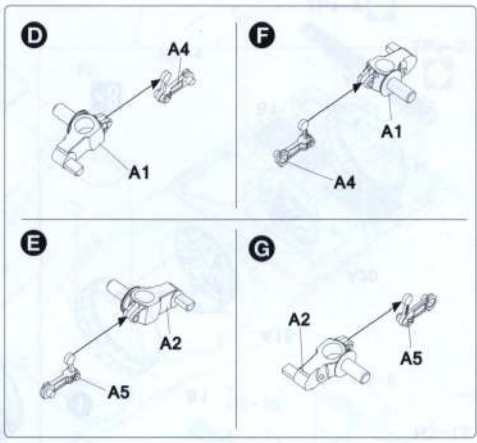
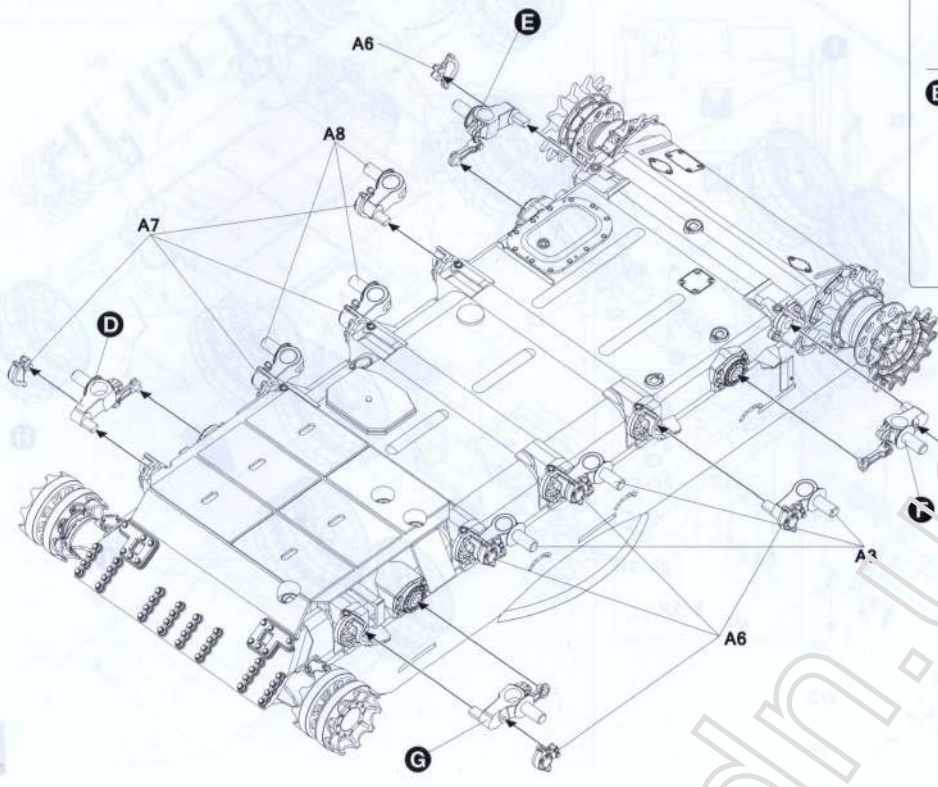


2

PARTS

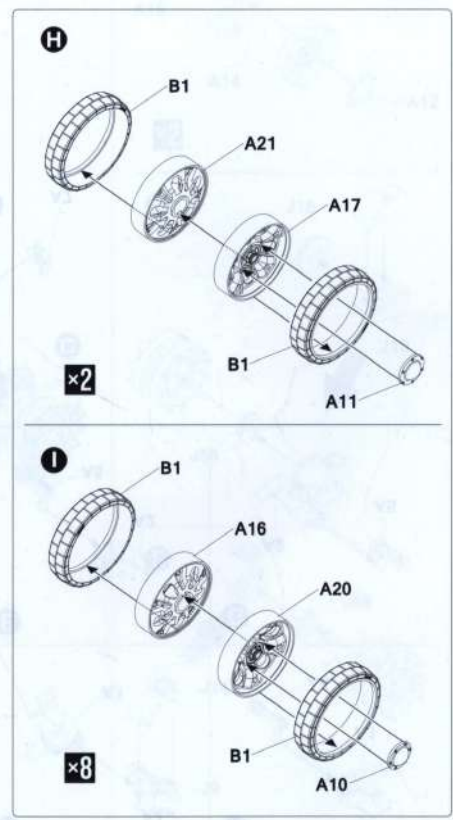
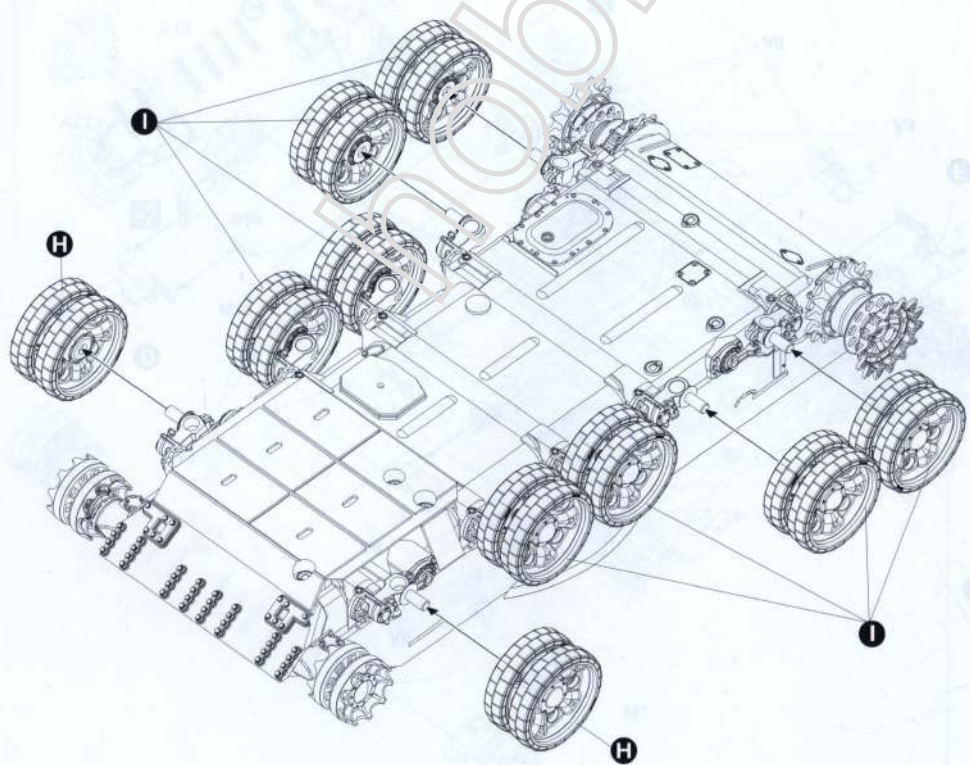


3

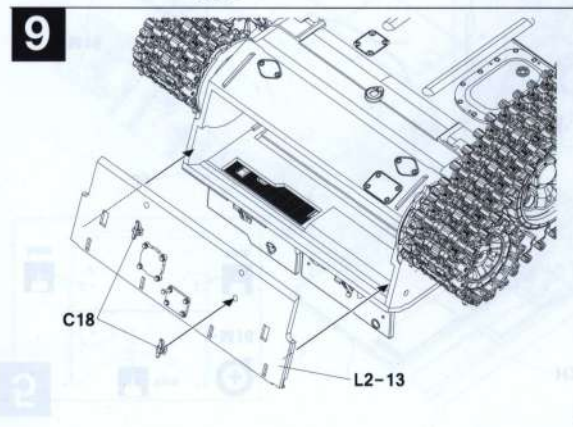
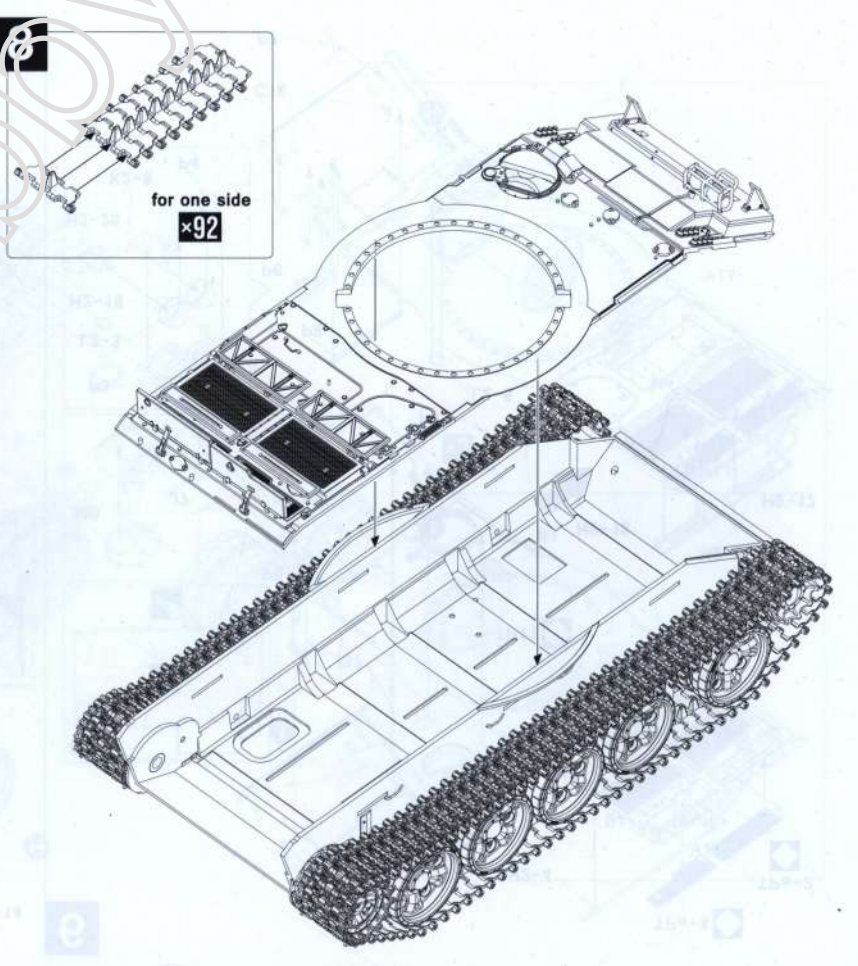
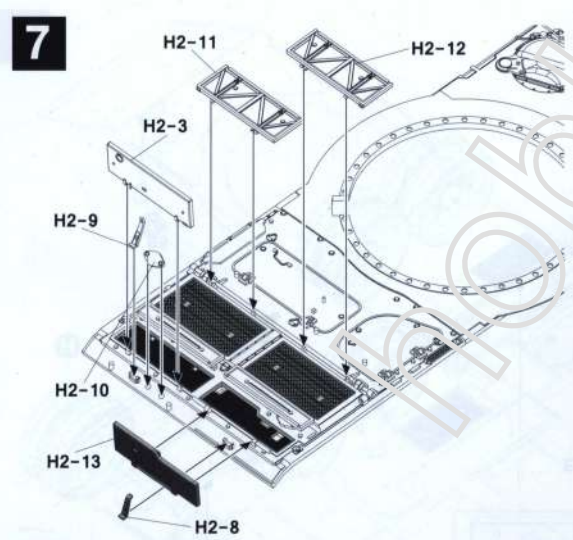
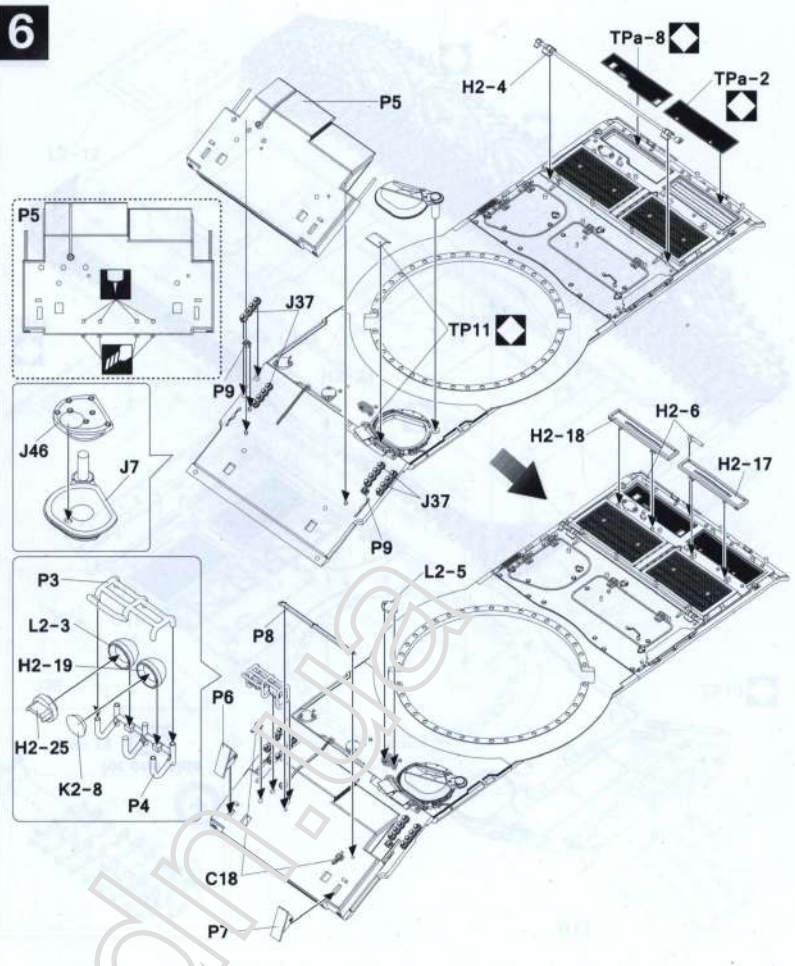
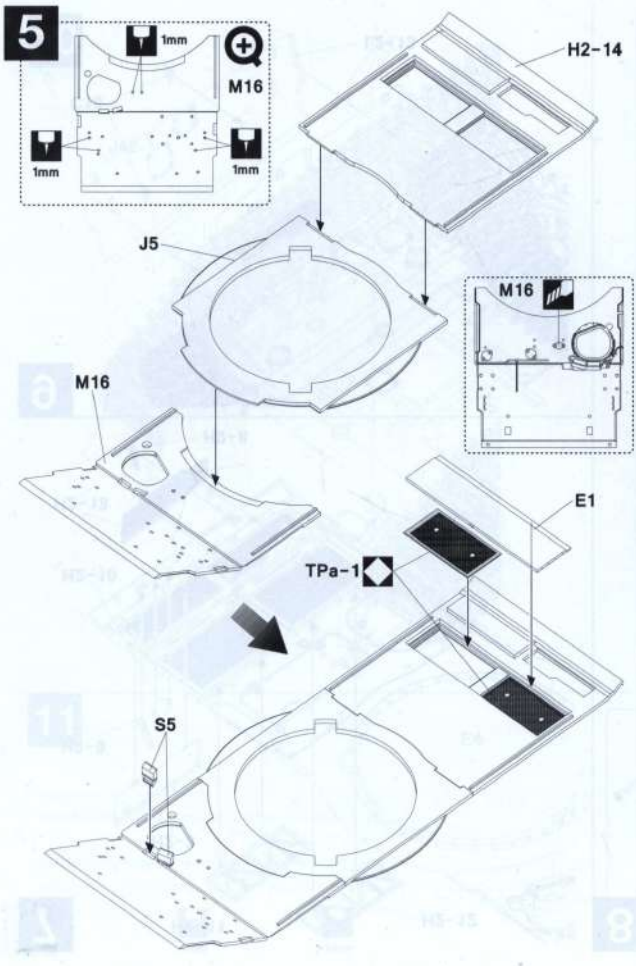


5

4

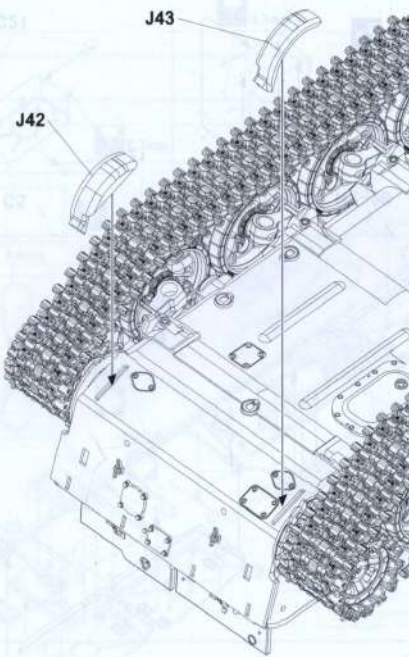




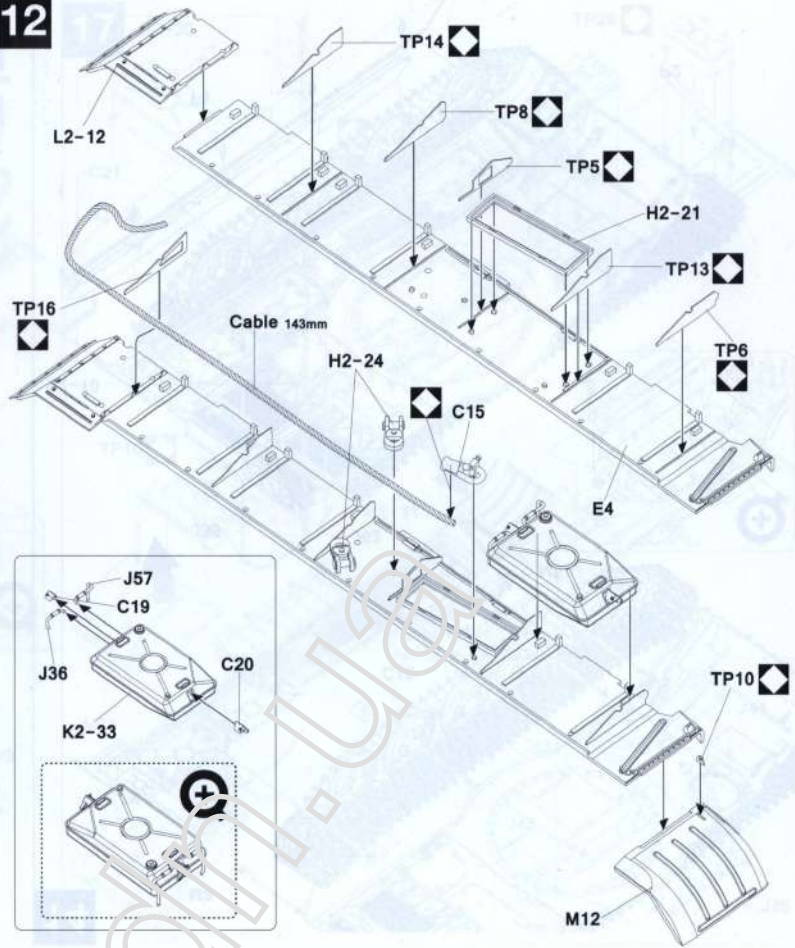




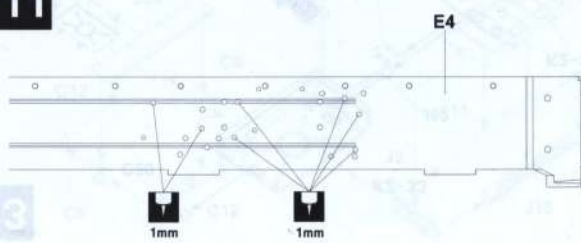
10



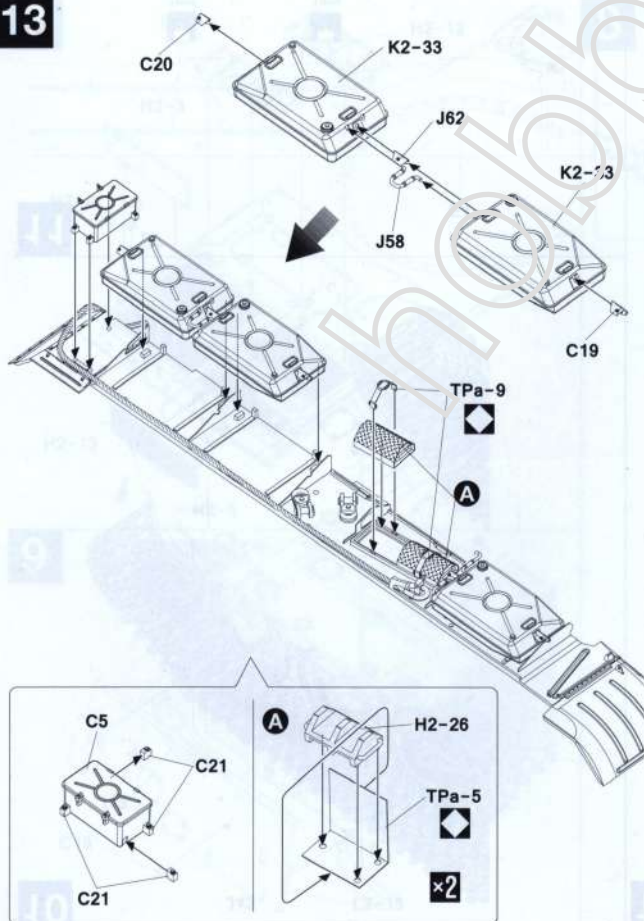
12



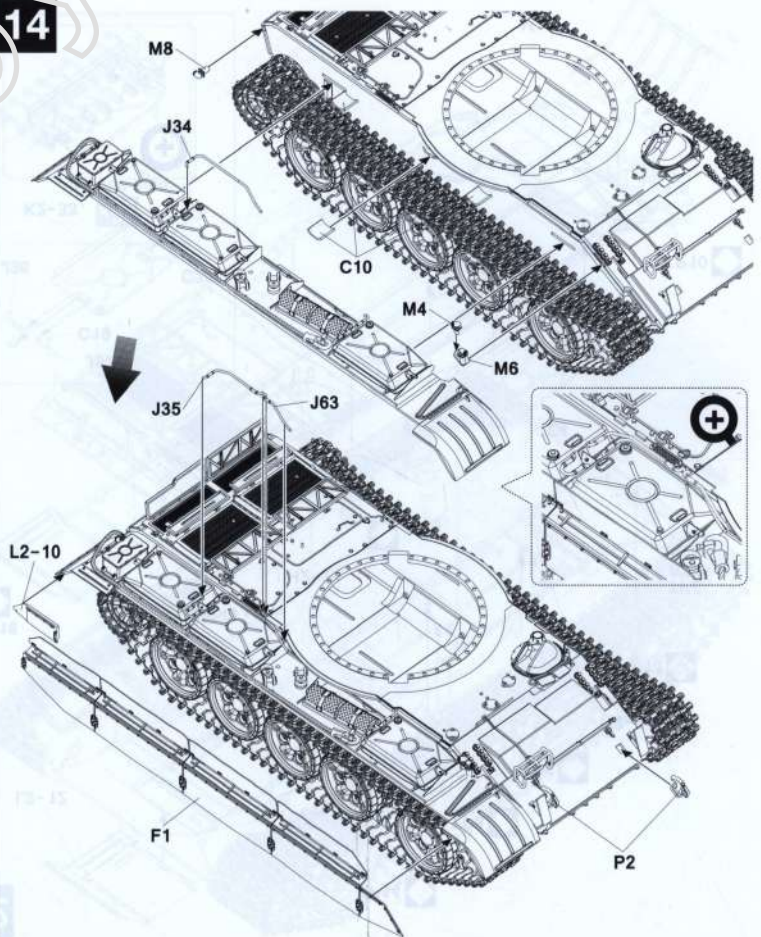
11



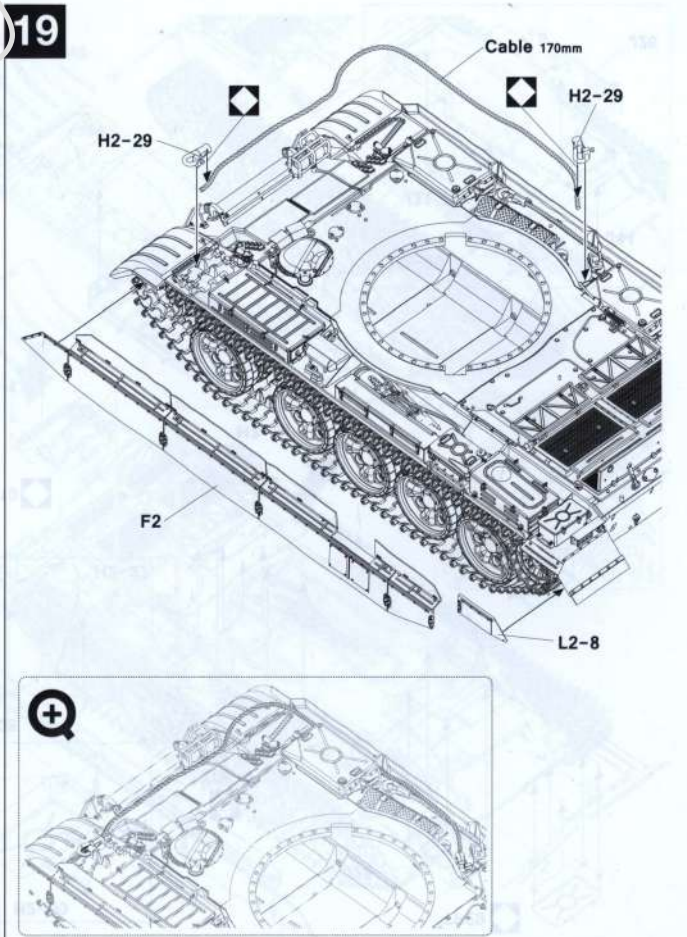
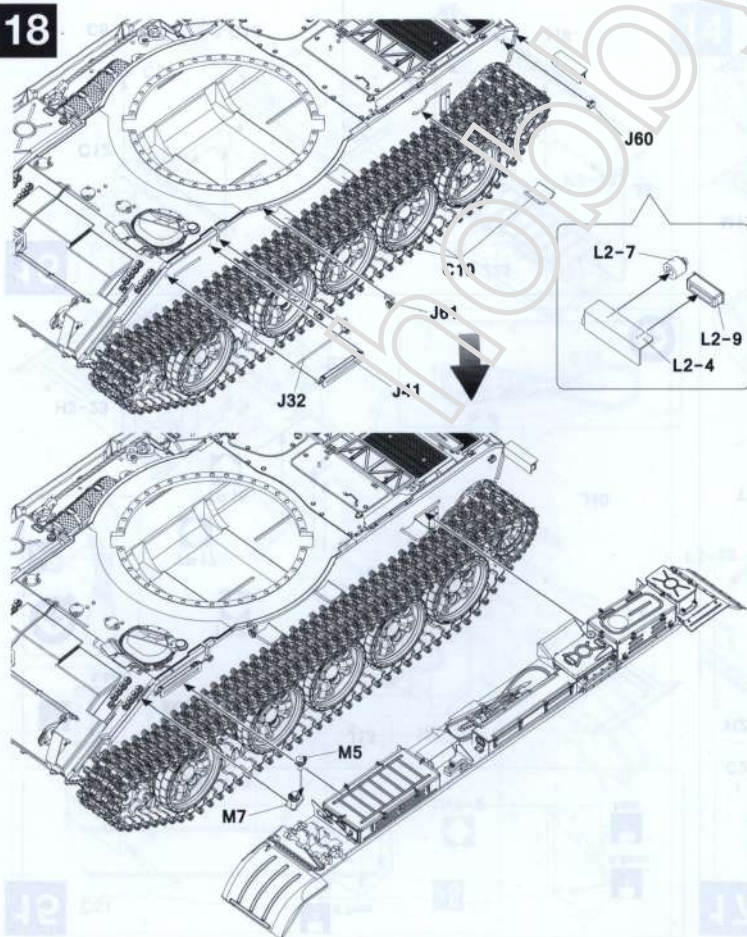
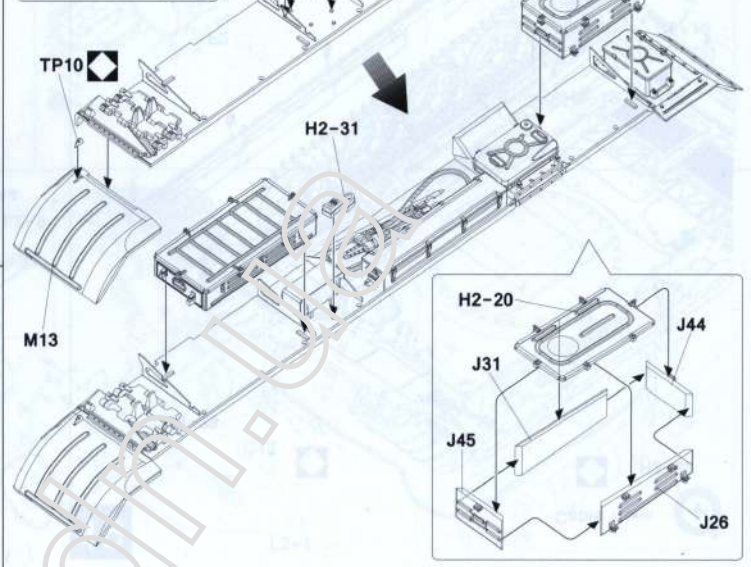
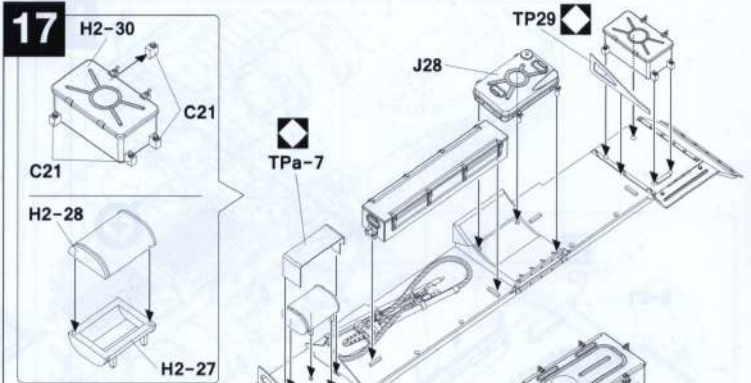
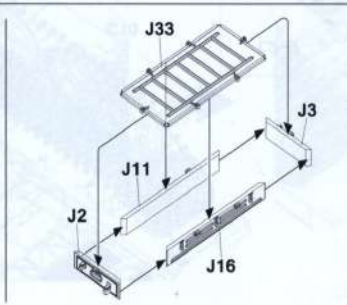
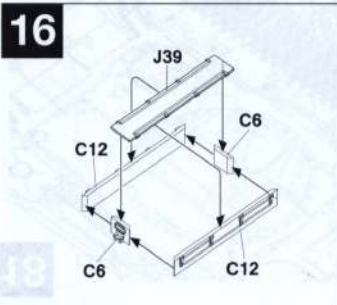
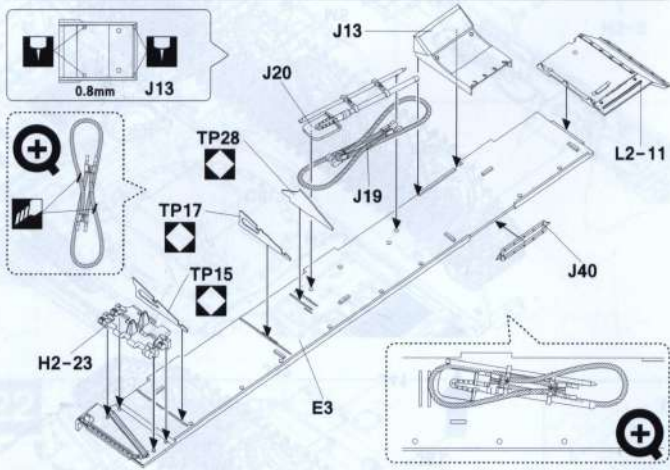
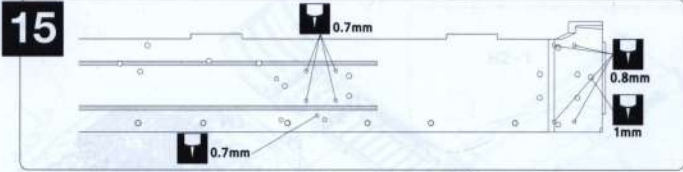
13



14

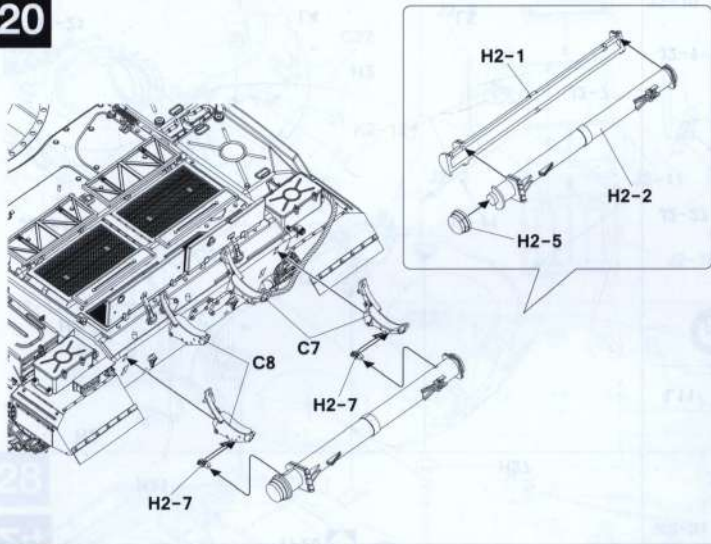




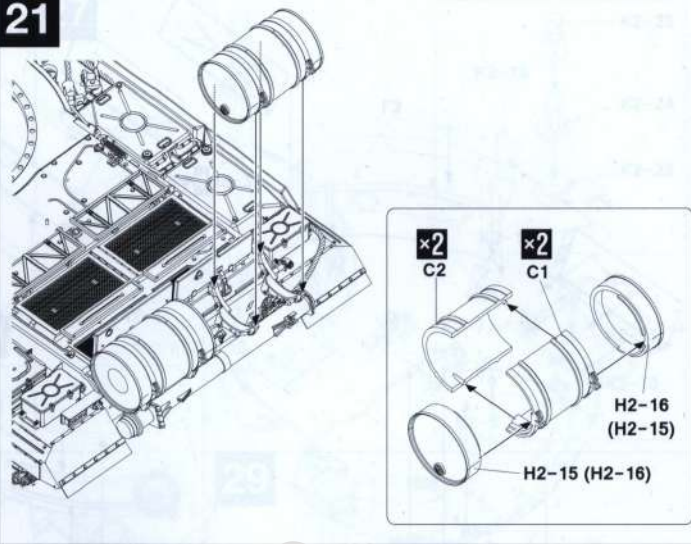




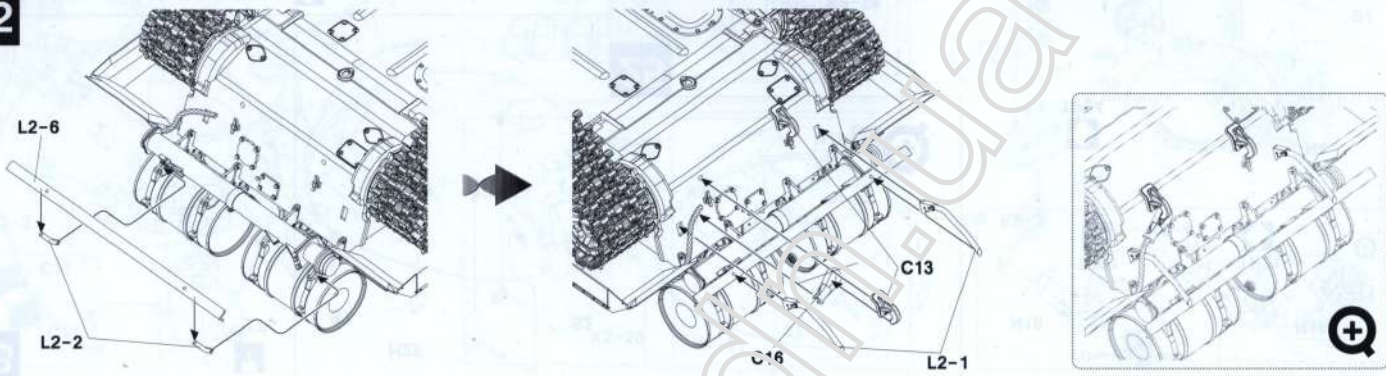
20



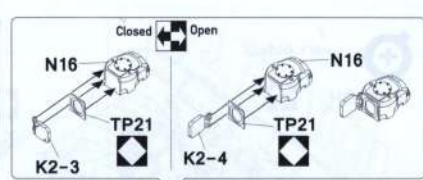
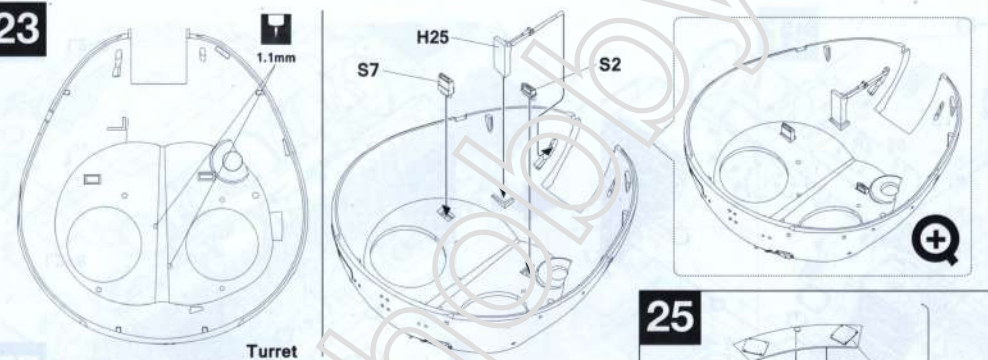
21



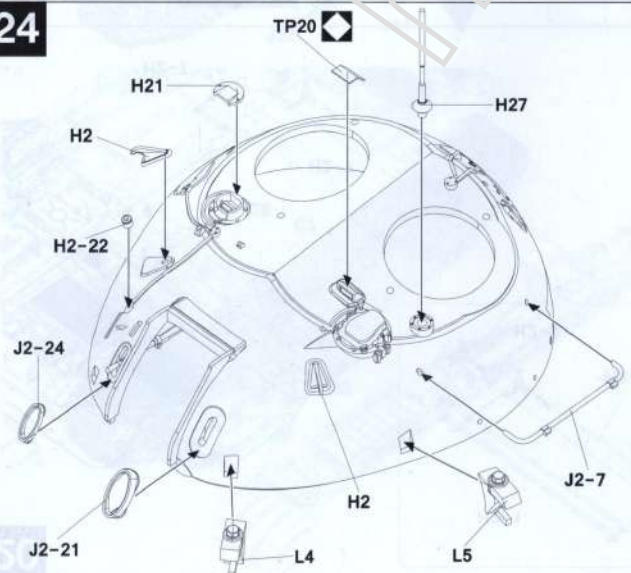
22



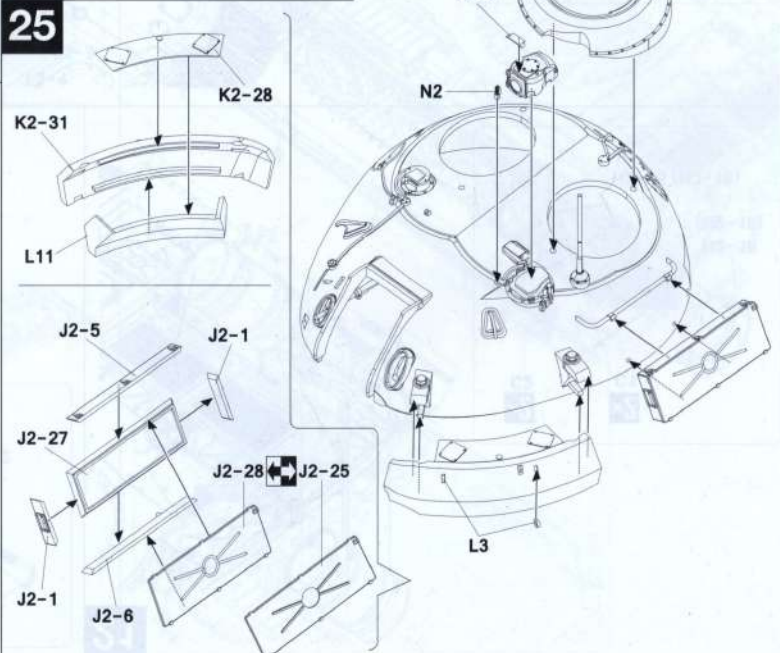
23



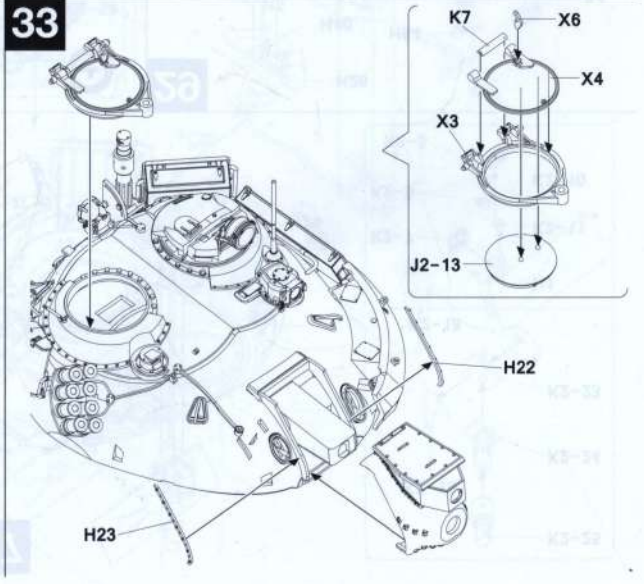
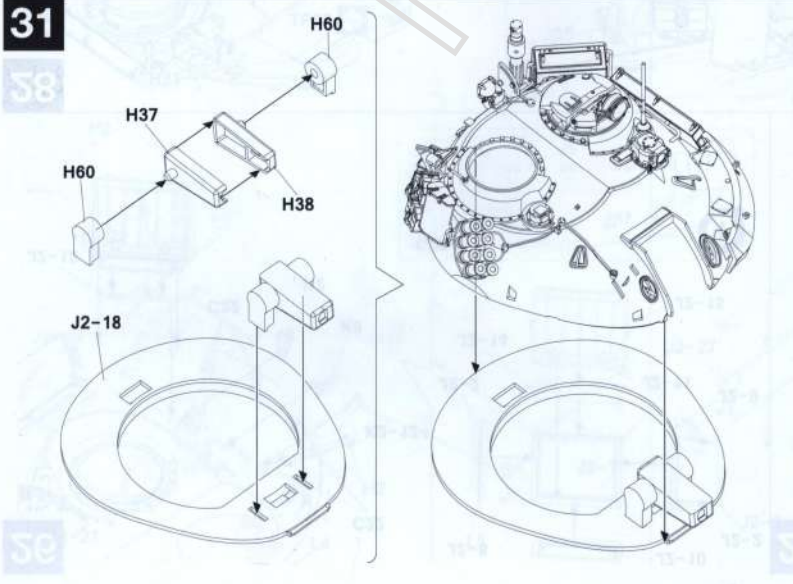
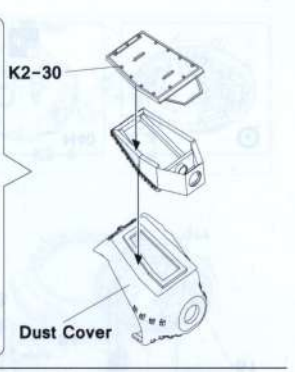
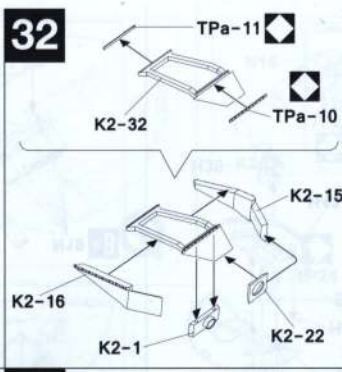
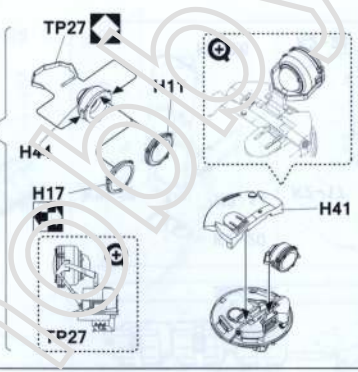
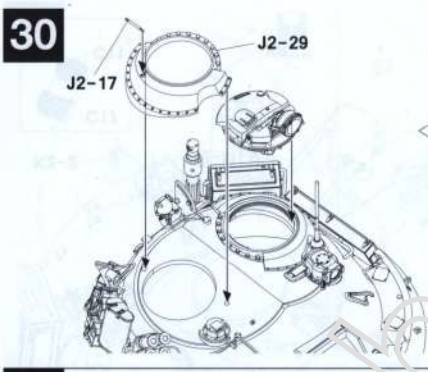
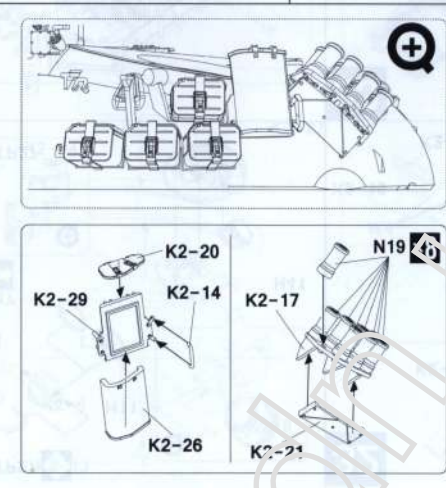
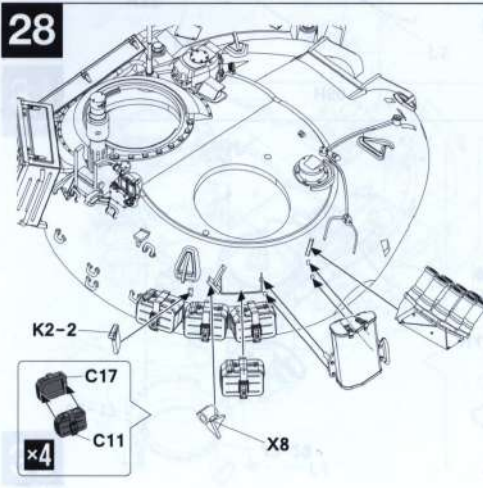
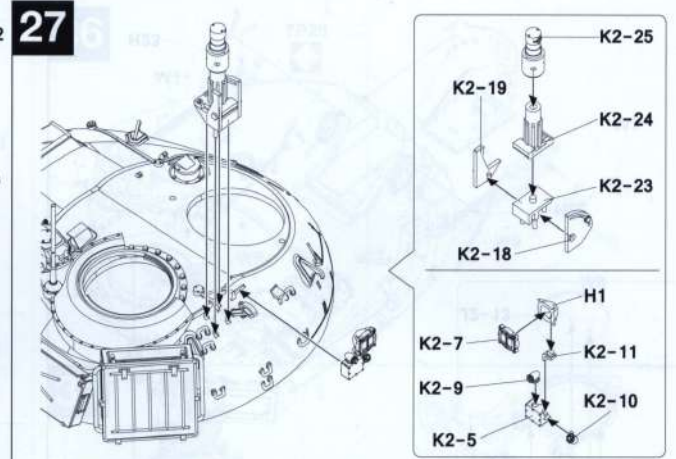
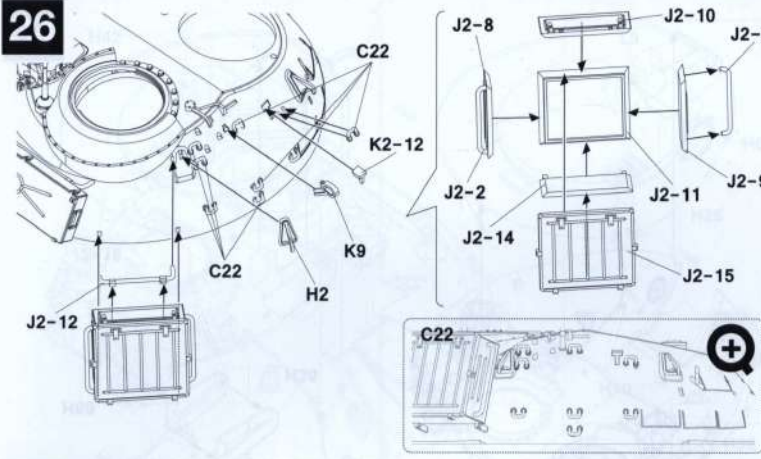
24



25

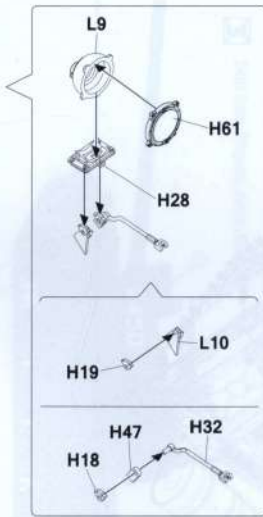
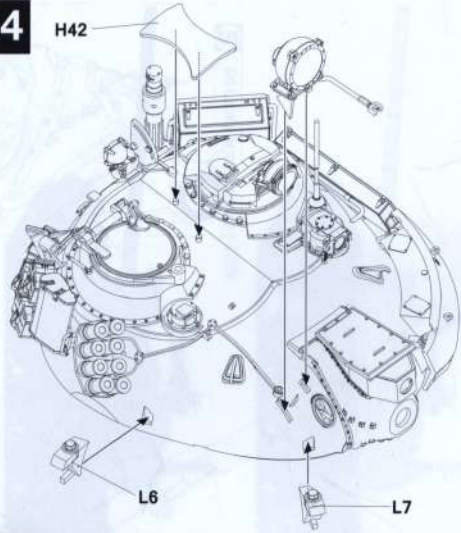




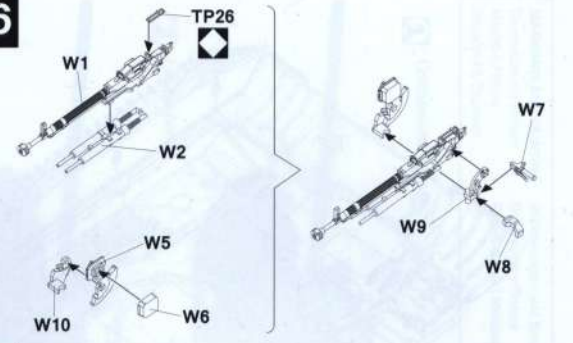




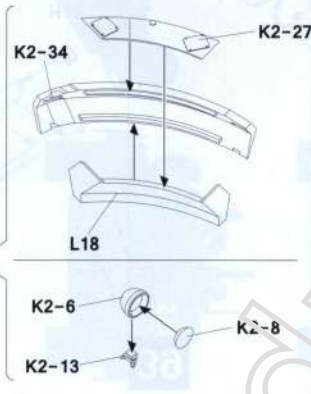
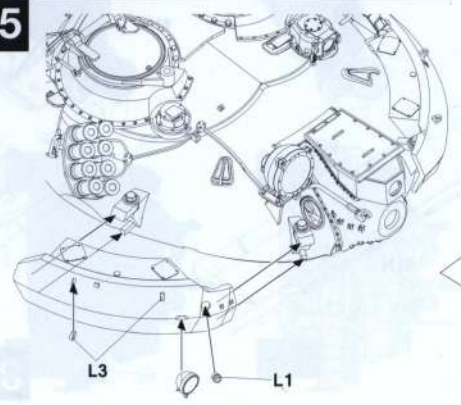
34



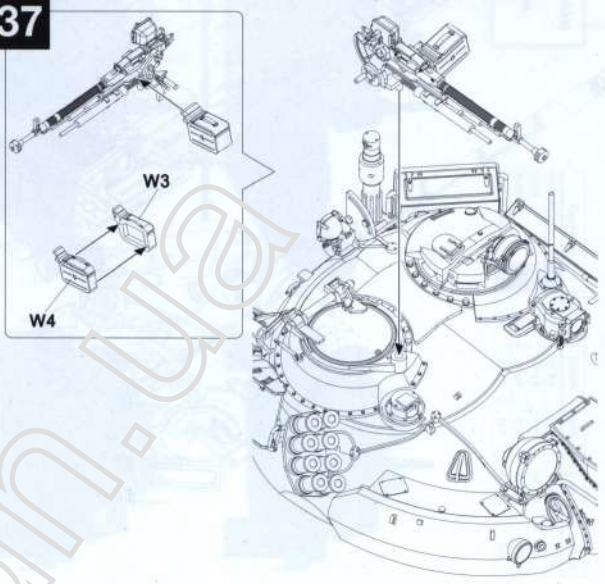
36



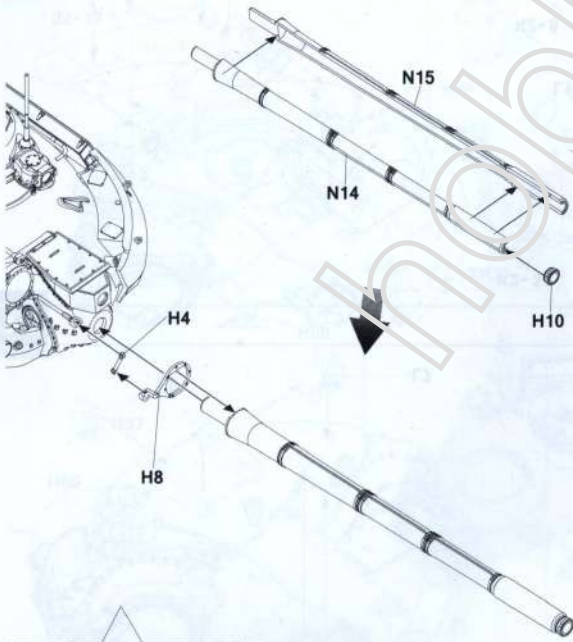
35



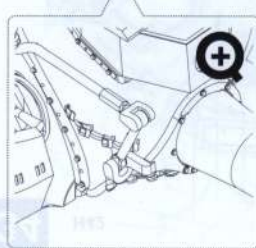
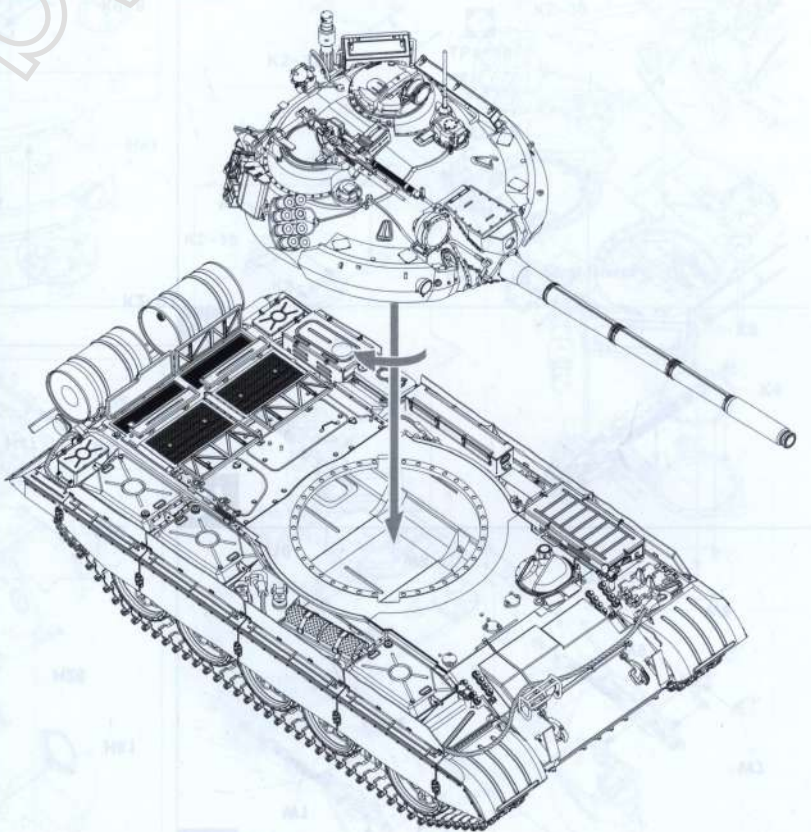
37



38



39



39



**MARKINGS AND PAINTING** Markierungen und Bemalung  
 Decoration et Peinture Decoracion y Pintura  
 Marcio & Pittura Oznakowania i Malowanie  
 Označení & Zbarvení

Color Chart	Mt. COLOR	TAMIYA	AMMO	AKInteractive	AKFARFA
Russian Green	511	3F-65	083	RC-073	113
Sand	313	3F-59	029	RC-101	014
Redder	137	3F-43	033	RC-022	040
Dark Green	320	3F-67	051	RC-098	246

1 Czechoslovak Army



2 Latvian Army



3 24th Tank Brigade, Aytos, Bulgaria



4 African Union Army, Somalia 2012



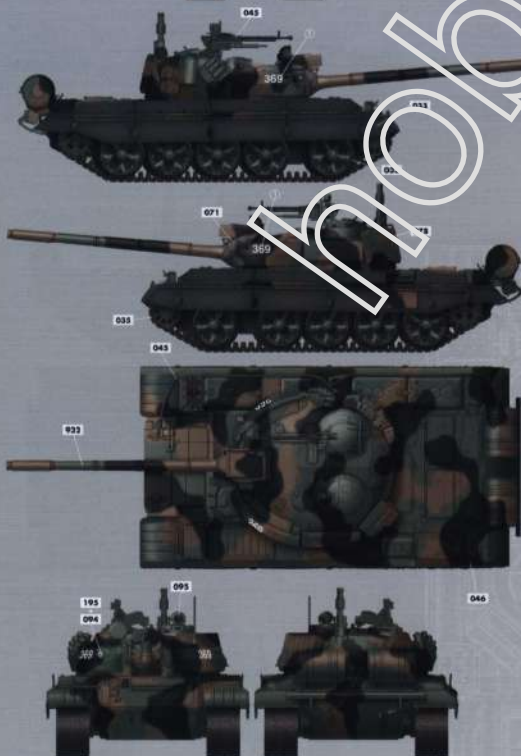
5 Sri Lanka Army, February 2009



Painting and Marking Guide

T-55 AM 2B, Czechoslovakia

AMMO 033	Rubber & Tire	AMMO 033	Dark Tracks	AMMO 043	Sea Haze	AMMO 071	Black
AMMO 094	Crystal Glass	AMMO 093	Crystal Smoke	AMMO 130	White	AMMO 048	Dark Blue
AMMO 078	Yellow Green	AMMO 932	Engine Room				



TAKOM T-55 AM 2B Ref: 2057

Painting and Marking Guide

T-55 AM 2B, Czechoslovakia

AMMO 033	Rubber & Tire	AMMO 033	Dark Tracks	AMMO 043	Sea Haze	AMMO 071	Black
AMMO 094	Crystal Glass	AMMO 093	Crystal Smoke	AMMO 130	White	AMMO 048	Dark Blue
AMMO 087	Yellow Green	AMMO 078	Yellow Green	AMMO 932	Engine Room		



TAKOM T-55 AM 2B Ref: 2057



Painting and Marking Guide

- A.MIG 033 Rubber & Tire
- A.MIG 033 Dark Tank
- A.MIG 045 Gun Head
- A.MIG 071 Hull
- A.MIG 094 Gun Barrel
- A.MIG 095 Gun Turret
- A.MIG 118 Base
- A.MIG 083 34 SACHSNER 203MG

T-55 AM 28, Poland

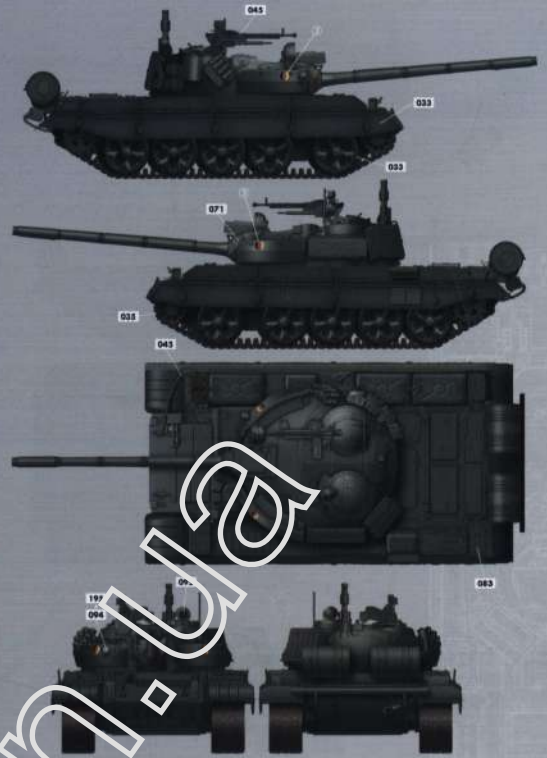


TAKOM T-55 AM 28 Ref: 2057

Painting and Marking Guide

- A.MIG 033 Rubber & Tire
- A.MIG 033 Dark Tank
- A.MIG 045 Gun Head
- A.MIG 071 Hull
- A.MIG 094 Gun Barrel
- A.MIG 095 Gun Turret
- A.MIG 118 Base
- A.MIG 083 34 SACHSNER 203MG

T-55 AM 28, RDA



TAKOM T-55 AM 28 Ref: 2057

hobby.dn.ua