

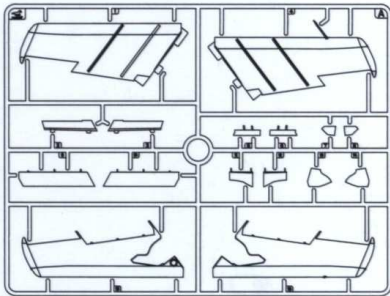


MIG-15 / LIM-1

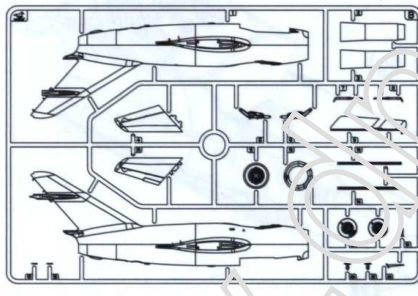
48005



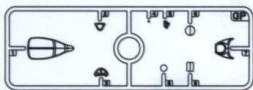
Ⓐ × 1



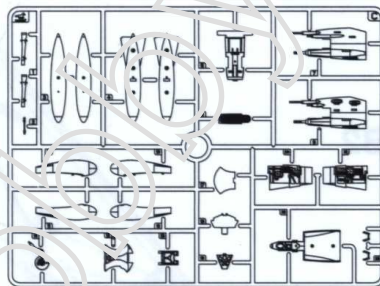
Ⓑ × 1



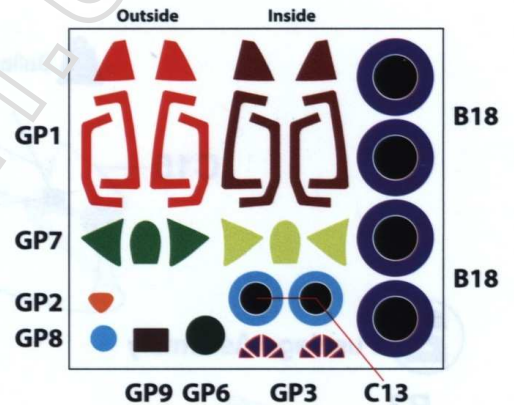
Ⓐ × 1



Ⓒ × 1



Painting Mask Set



OPEN HOLE
FORO APERTO
OFFNEN
HACER AQUJERO
WYKONAC OTWOR
FAIRE UN TROU
VYVRTAT OTVOR



DECAL
DECALCOMANIE
ABZIEHBILD
KALKOMANIA
KALKOMANIA
DECALCOMANIE
OBTISK



REMOVE
RETIRER
ENTFERNEN
CORTAR
WYCIAC
SEPARARE
ODSTRANIT



OPTION
FACULTATIF
NACH BELIEBEN
HACER AQUJERO
DO WYBORU
FACULTATIVO
VOLBA



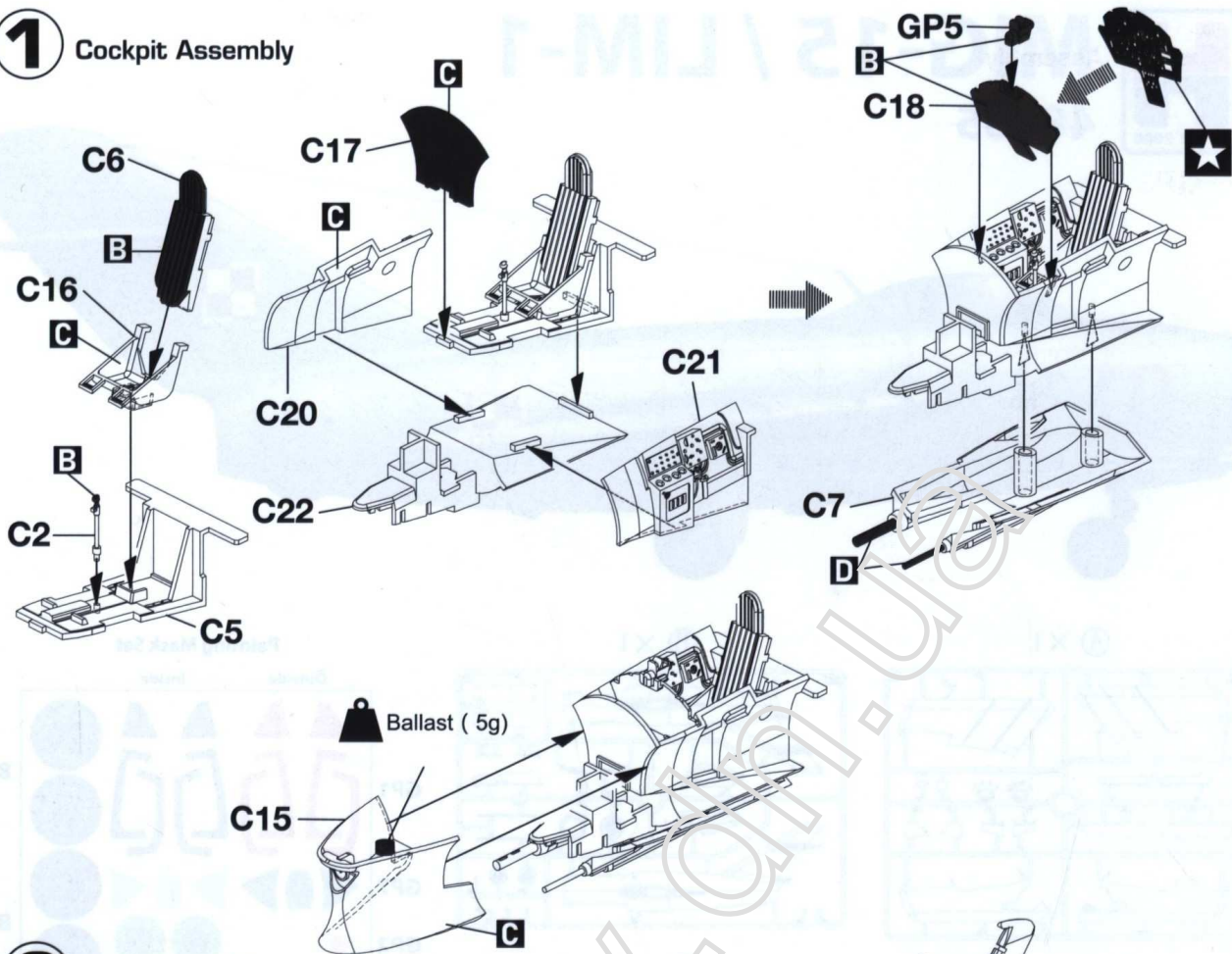
FILL HOLE
FORO PIENO
SCHLIESSEN
EMPUJE EL AQUJERO
ZAMKNAC OTWOR
BOUCHER LE TROU
ZAKRYTE OTVOR



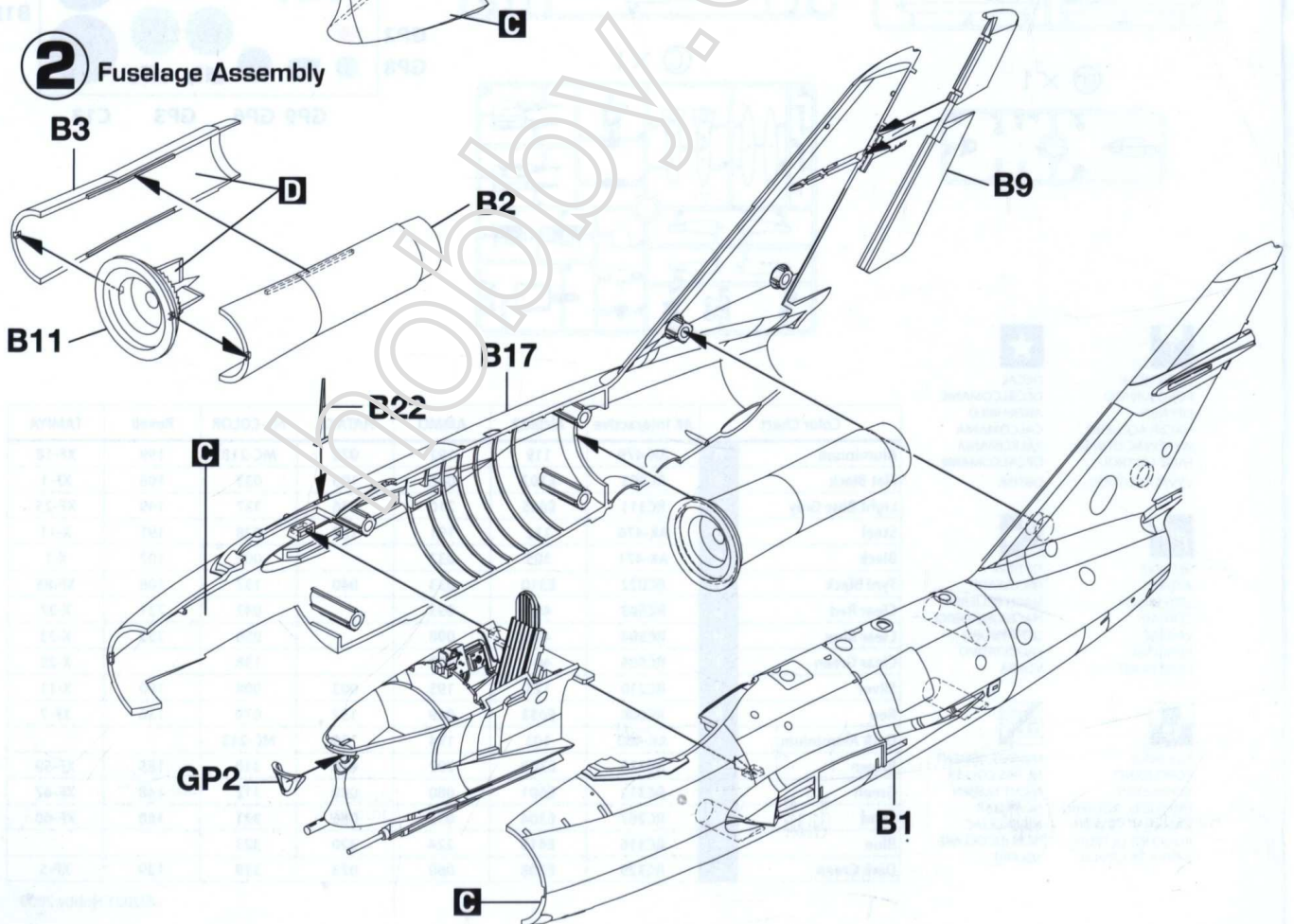
DO NOT CEMENT
NE PAS COLLER
NICHT KLEBEN
NO PEGAR
NIE SKLEJAC
NON INCOLLARE
NELEPIT

Color Chart		AK Interactive	Alclad2	AMMO	HATAKA	Mr. COLOR	Revell	TAMIYA
Aluminium	A	AK-479	119	192	078	MC-218	199	XF-16
Flat Black	B	RC001	E102	046	100	033	108	XF-1
Light Blue Grey	C	RC311	E645	210	036	337	149	XF-25
Steel	D	AK-476	112	191	189	028	191	X-11
Black	E	AK-471	305	032		002	107	X-1
Tyre Black	F	RC022	E310	033	040	137	106	XF-85
Clear Red	G	RC503	401	093		047	731	X-27
Clear Blue	H	RC504	403	098		050	752	X-23
Clear Green	I	RC505	404	092		138		X-25
Silver	J	RC210	125	195	003	008	190	X-11
Red	K	RC006	E653	049	132	079	136	XF-7
Dark Aluminium	L	AK-480	103	194	139	MC-213		
Brown	M	RC335	E302	202	076	310	185	XF-59
Green	N	RC312	E601	080	080	312	148	XF-67
Sand	O	RC267	E304	055	066	321	188	XF-60
Blue	P	RC316	E615	224	320	323		
Dark Green	R	RC329	E308	060	073	319	139	XF-5

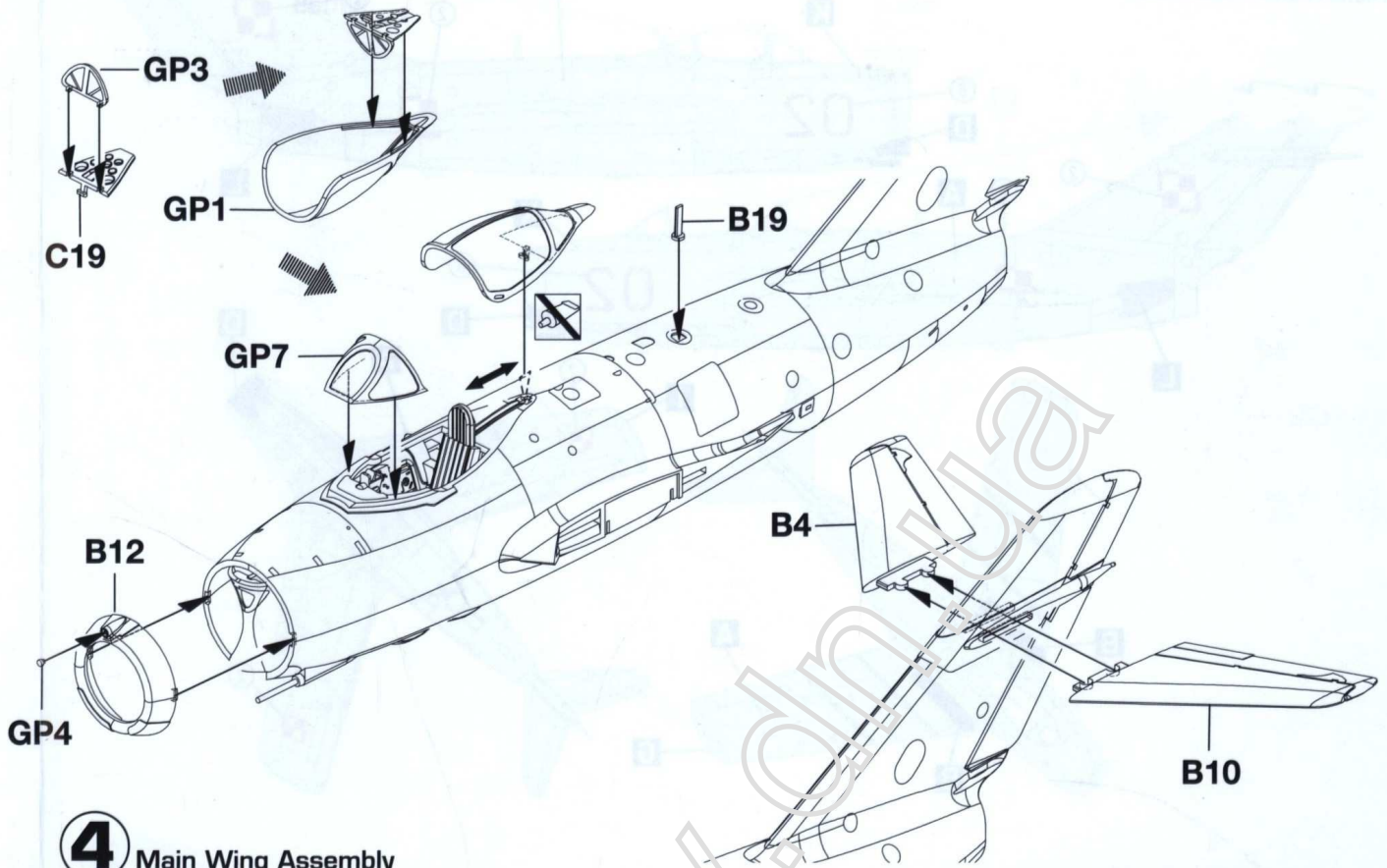
1 Cockpit Assembly



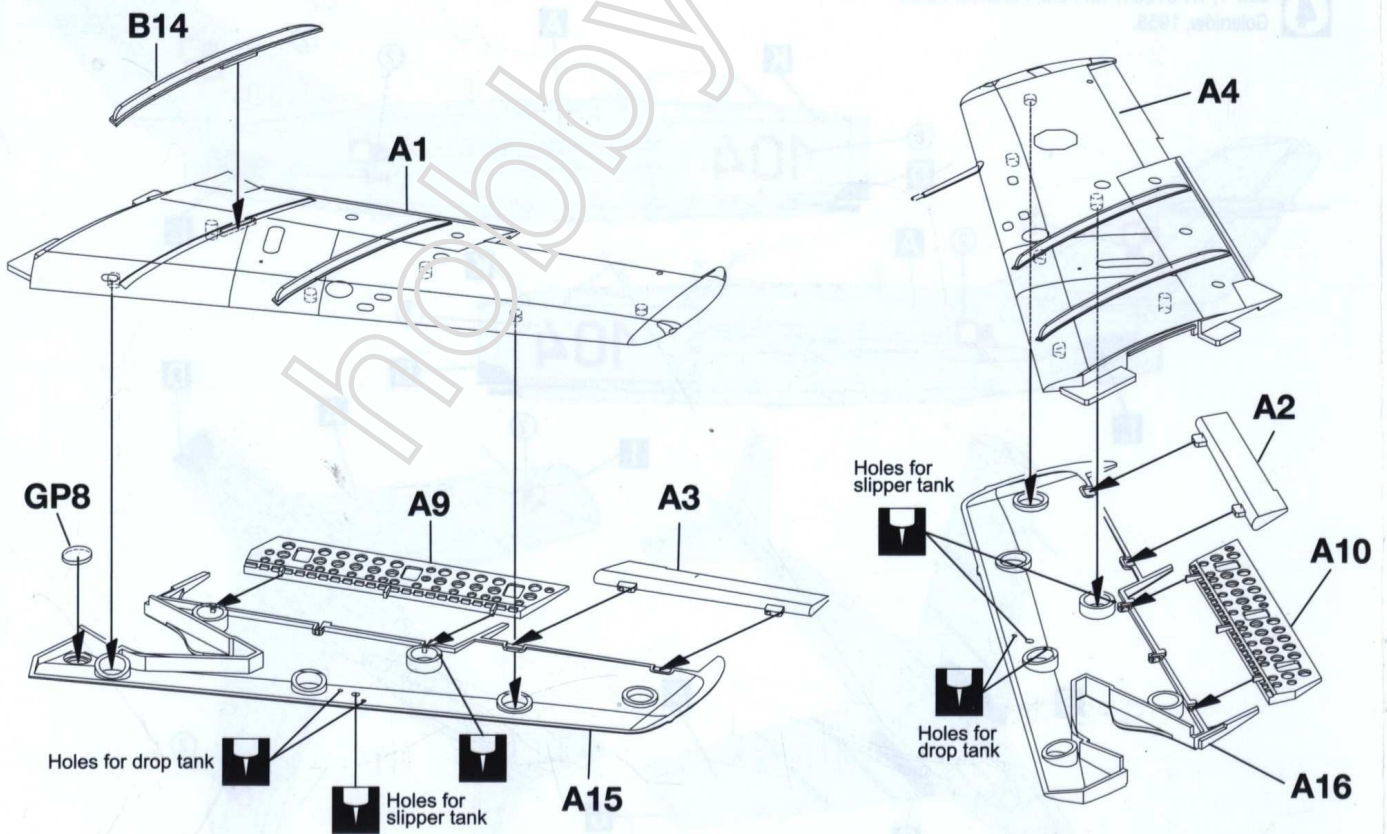
2 Fuselage Assembly



3 Fuselage Assembly

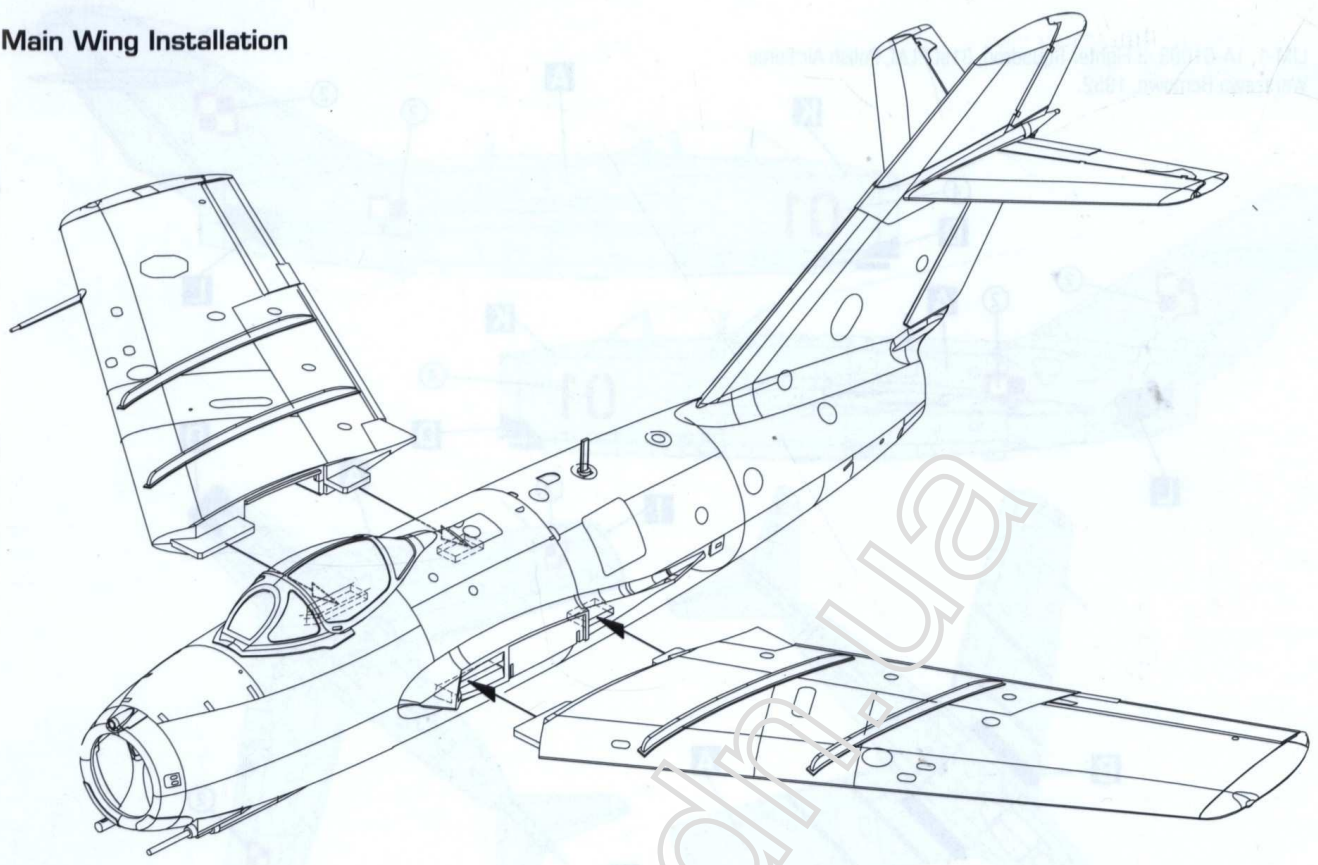


4 Main Wing Assembly



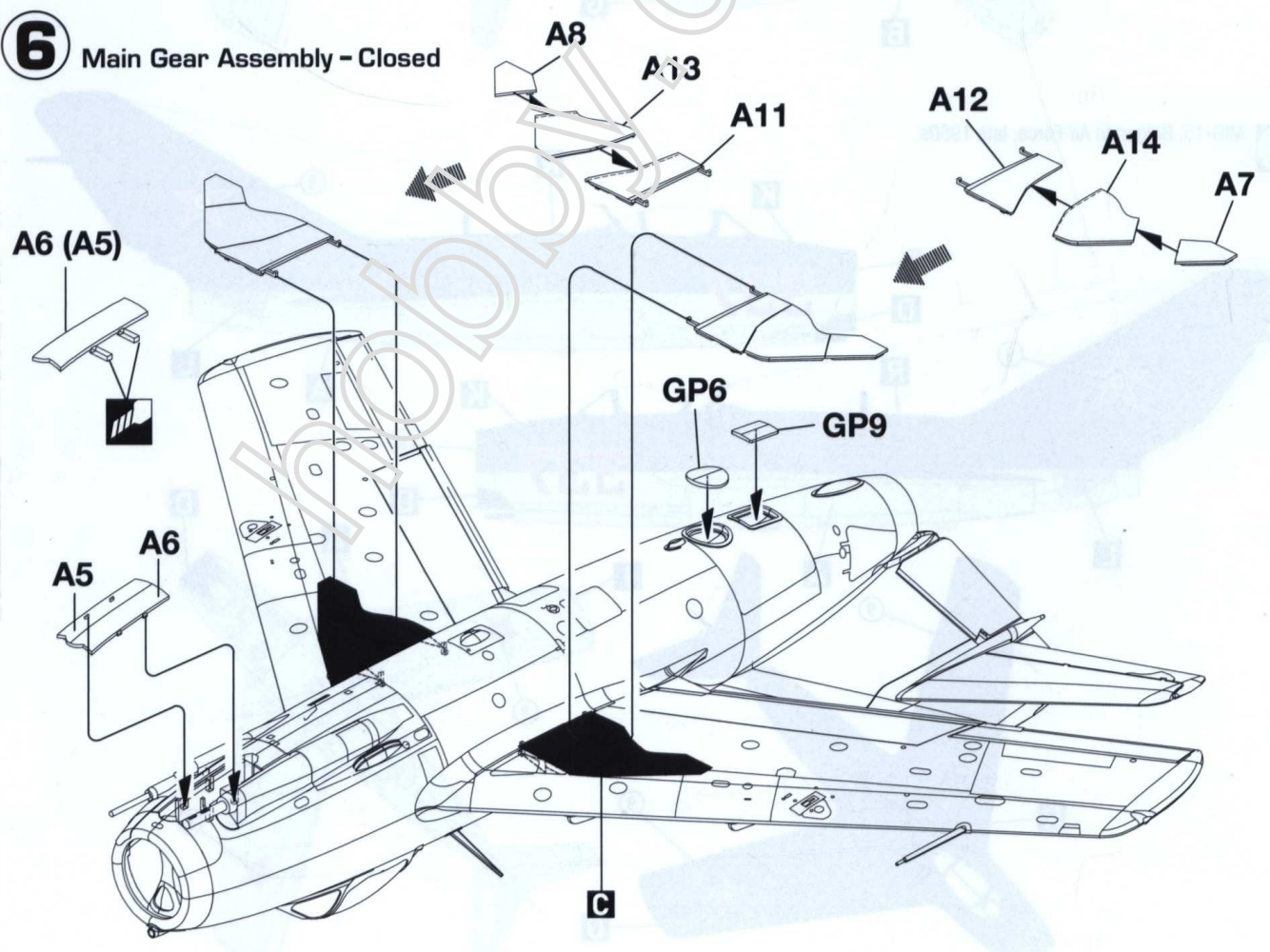
5

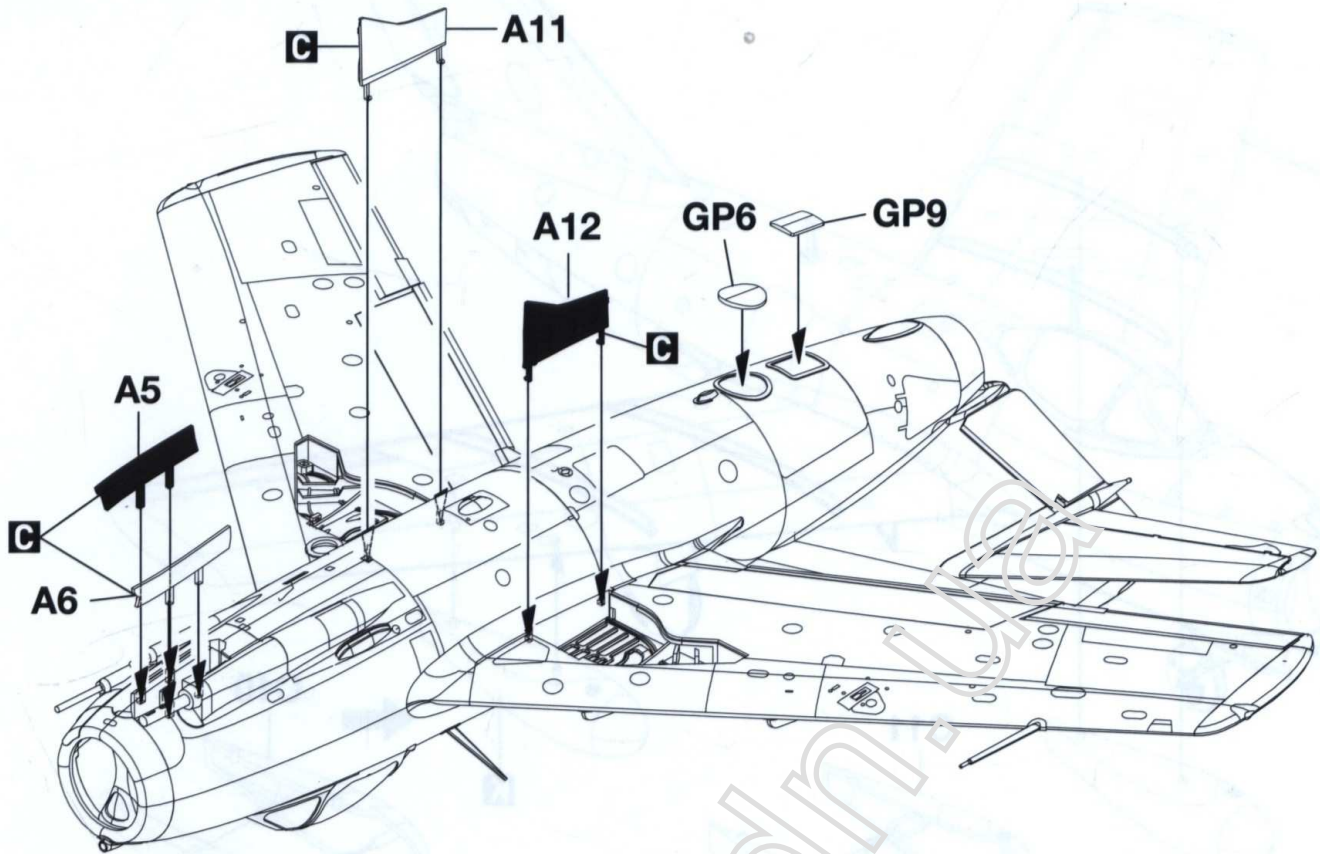
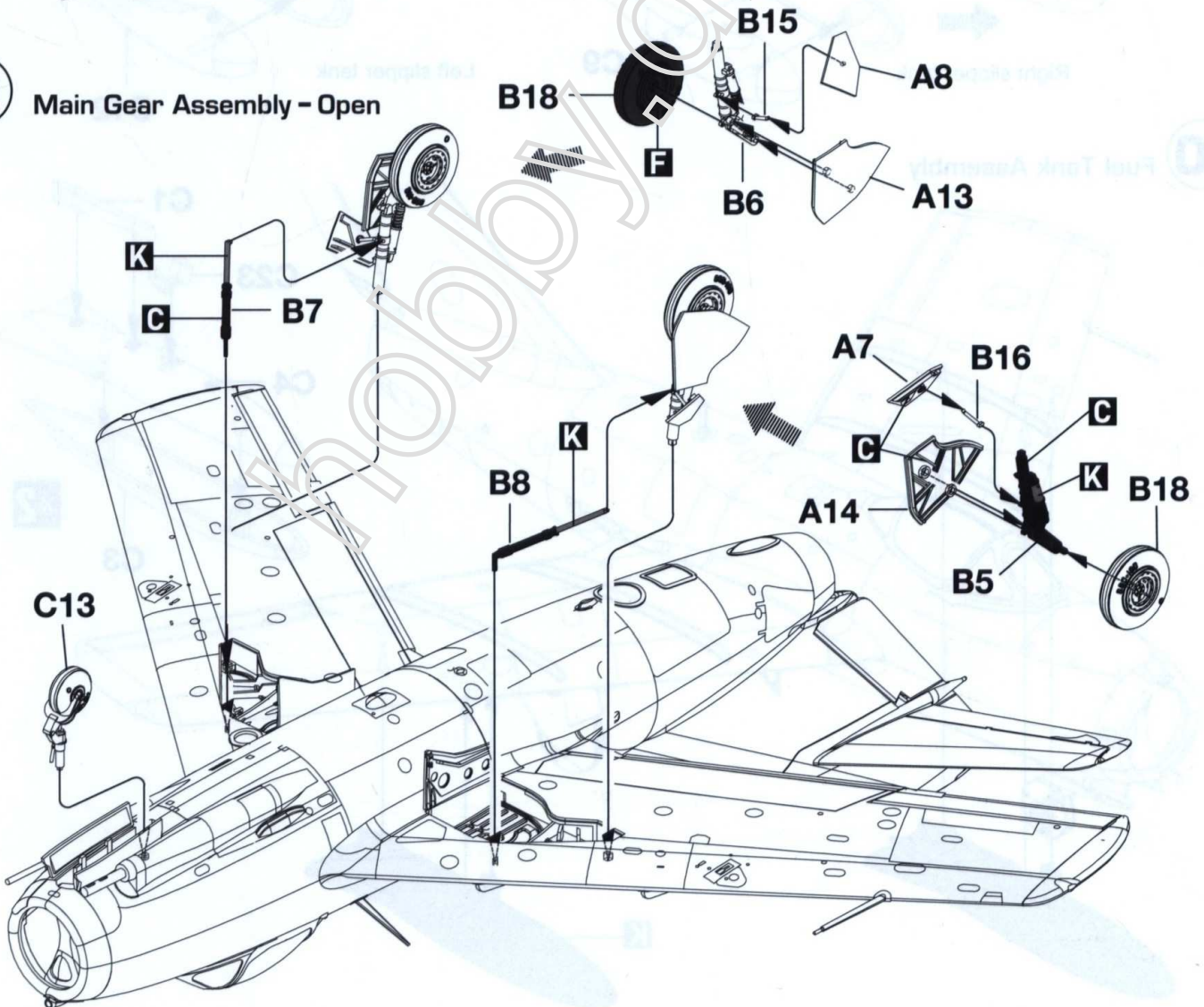
Main Wing Installation



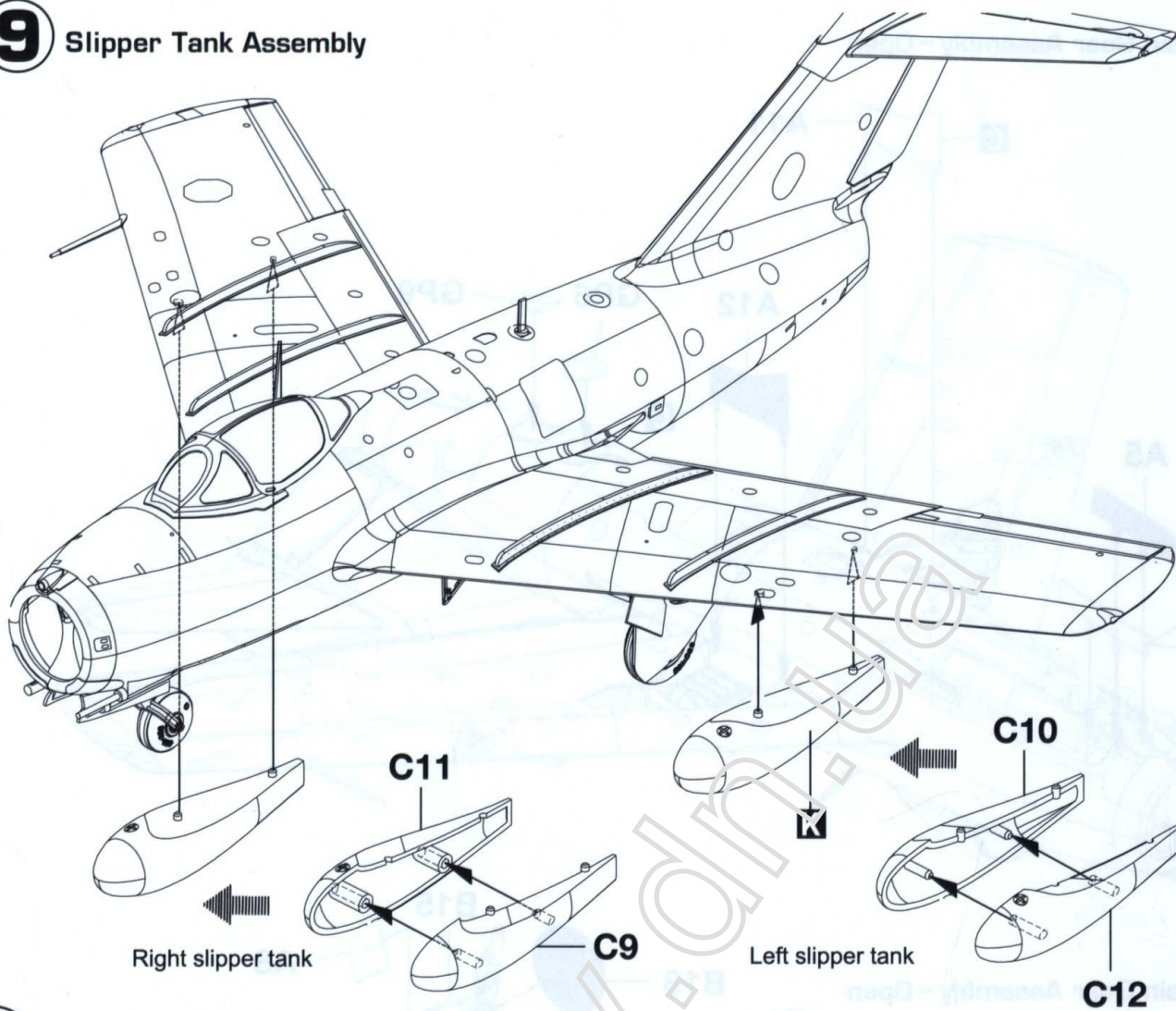
6

Main Gear Assembly - Closed

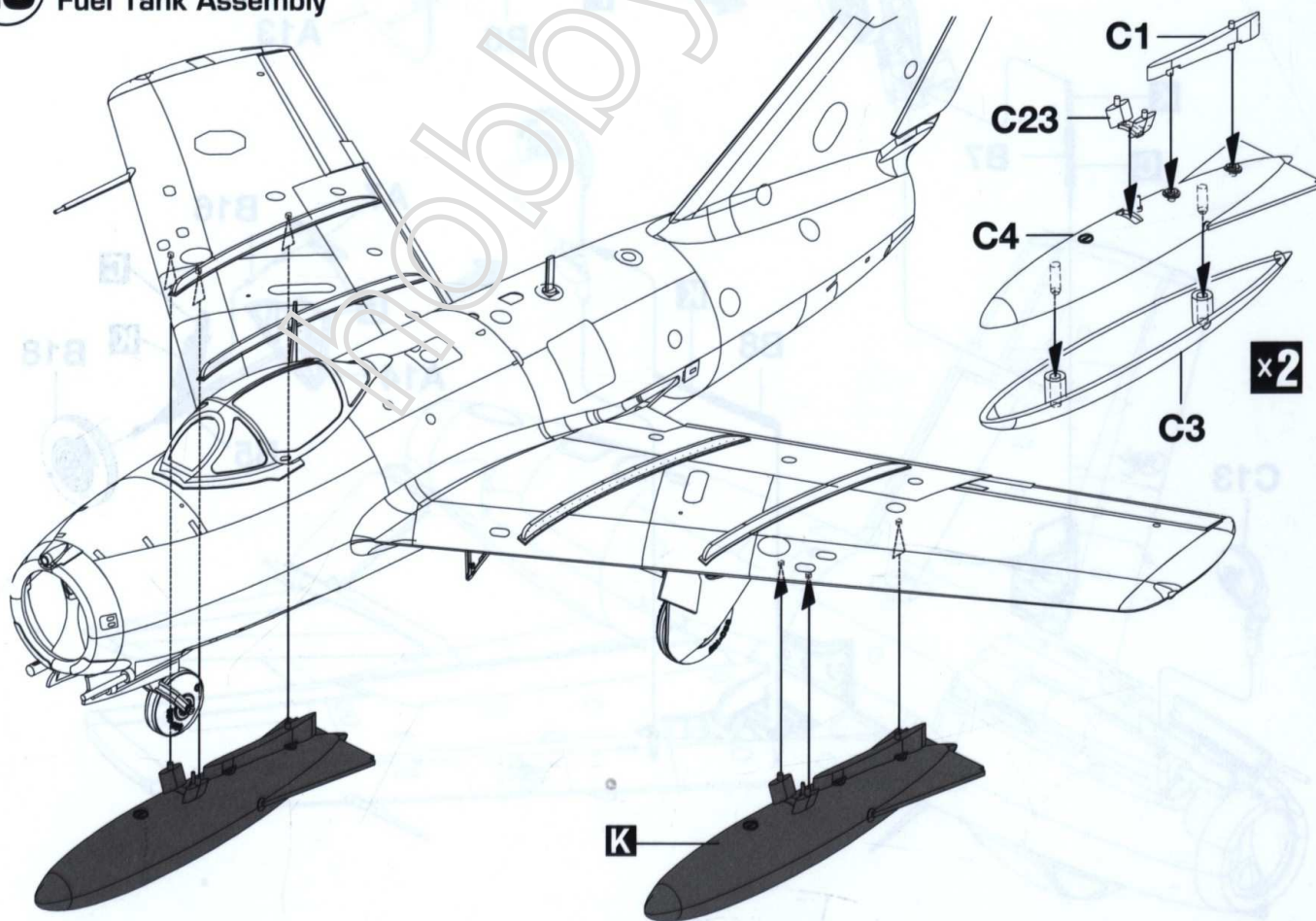


7**Main Gear Assembly - Open****8****Main Gear Assembly - Open**

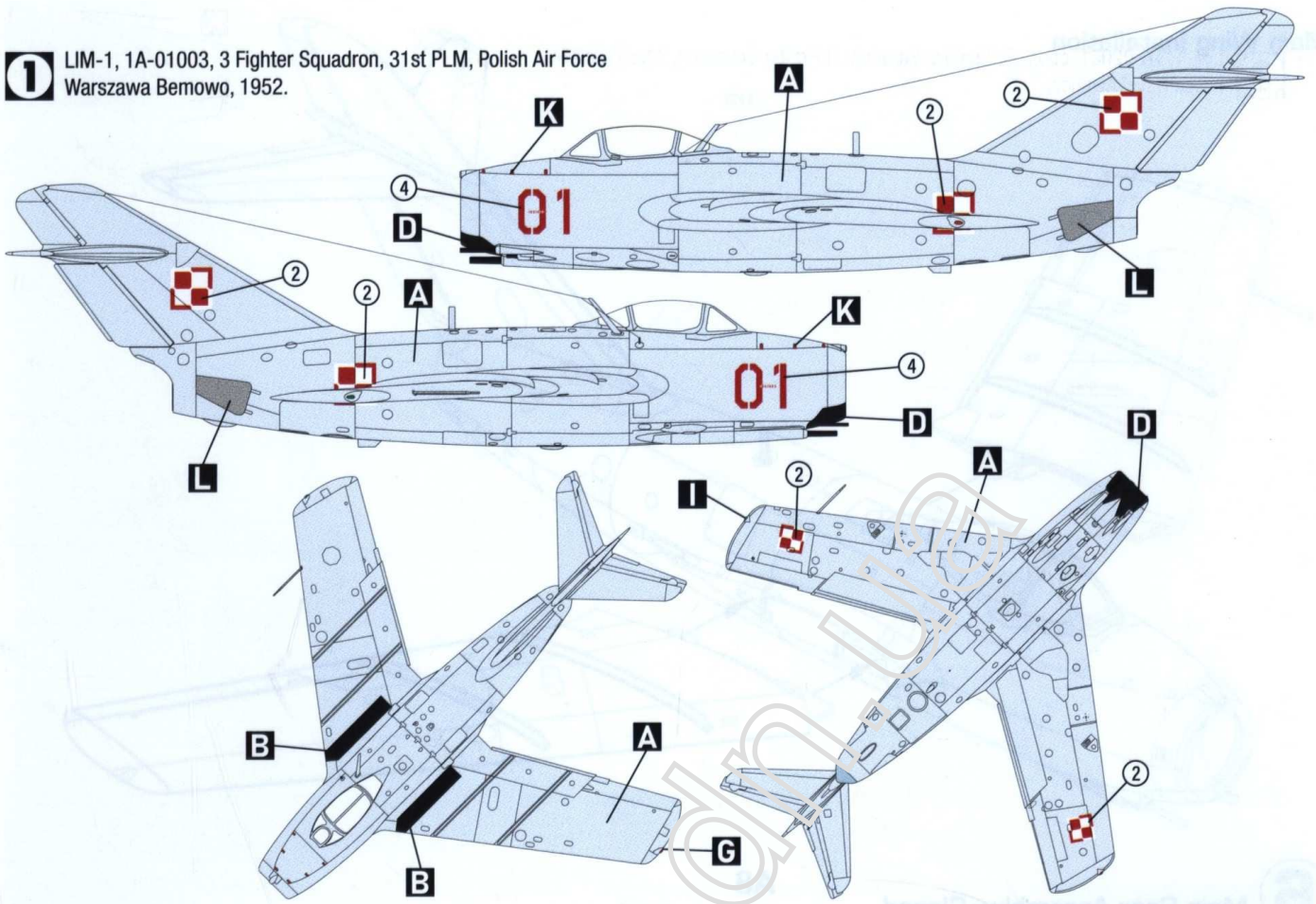
9 Slipper Tank Assembly



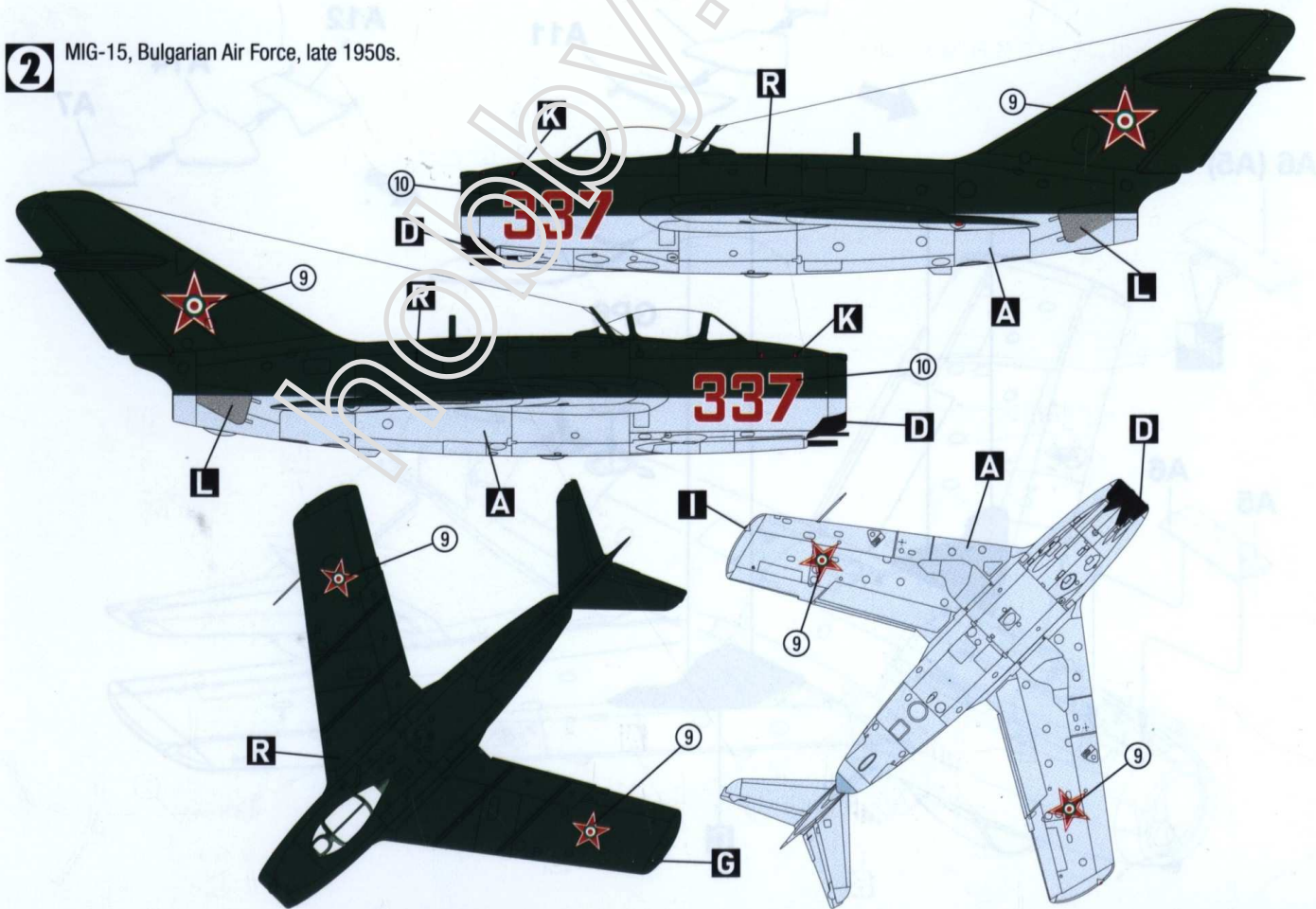
10 Fuel Tank Assembly



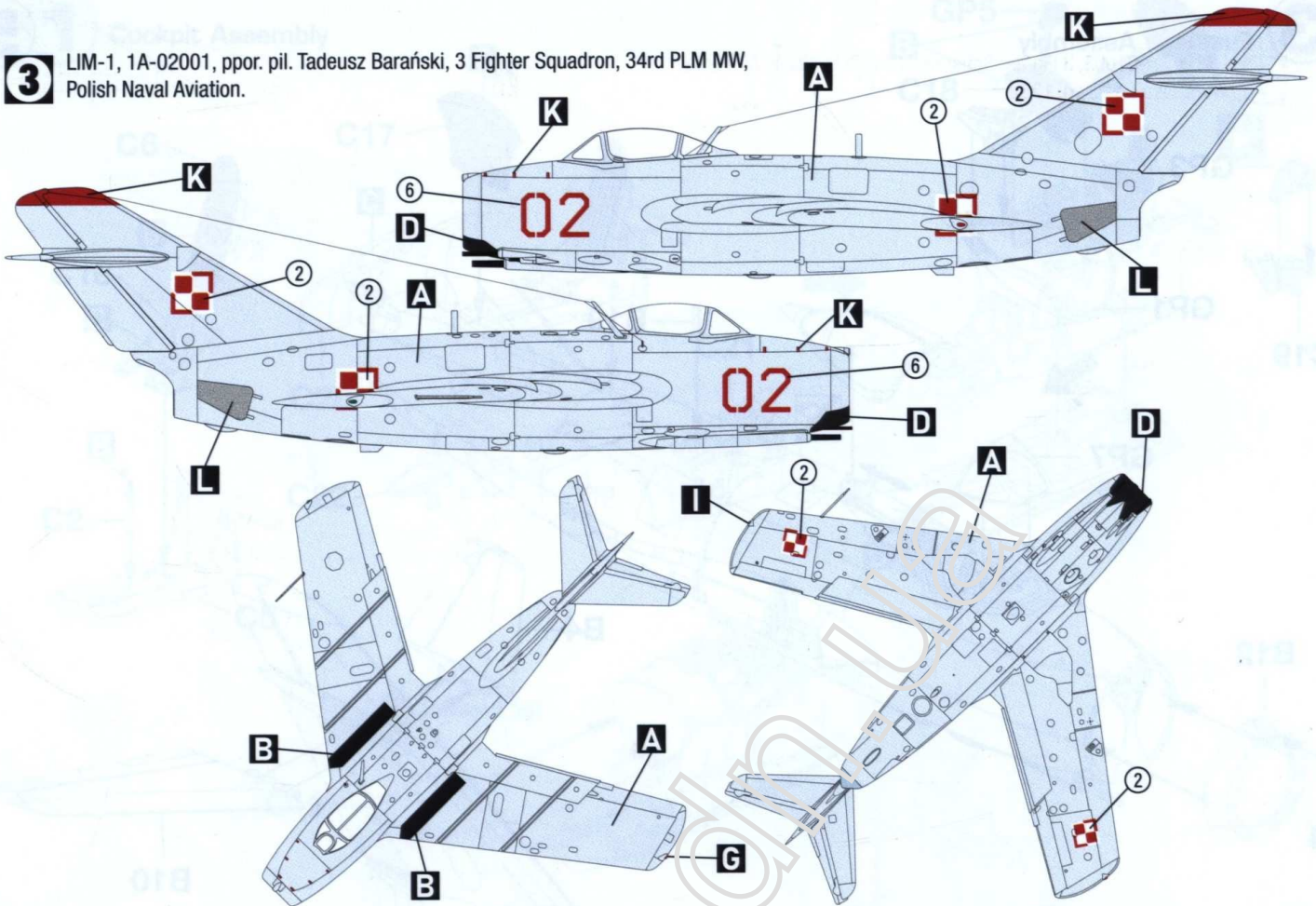
1 LIM-1, 1A-01003, 3 Fighter Squadron, 31st PLM, Polish Air Force
Warszawa Bemowo, 1952.



2 MIG-15, Bulgarian Air Force, late 1950s.



3 LIM-1, 1A-02001, ppor. pil. Tadeusz Barański, 3 Fighter Squadron, 34rd PLM MW, Polish Naval Aviation.



4 LIM-1, 1A-01204, 4th PLM, Polish Air Force Goleniów, 1958.

