



# Hawker Hurricane Mk. Ia

72001

ROYAL AIR FORCE



Artwork by Robert Gretzyngier

**Assembly Diagrams:**

- (A)** 16 parts for fuselage assembly.
- (B)** 2 parts for fuselage assembly.
- (C)** 2 parts for fuselage assembly.
- (N) x2** 2 parts for fuselage assembly.
- (T)** 4 parts for fuselage assembly.
- (D)** 3 parts for fuselage assembly.
- (R)** 3 parts for fuselage assembly.
- (P)** 2 parts for fuselage assembly.
- (S)** 1 part for fuselage assembly.
- (F)** 2 parts for fuselage assembly.

**Painting Mask Set:**

- R2, R3: Dark Green masks.
- A9, A12: Yellow masks.
- R1: Red mask.
- S1: Silver mask.

©2020 Hobby 2000

Color Chart		AK Interactive	Alclad2	AMMO	HATAKA	Mr. COLOR	TAMIYA
RAF Dark Green	A	RC286	E013	915	C016	361	XF-81
RAF Dark Earth	B	RC287	E021	070	C009	369	XF-52
RAF Sky type S	C	RC290	E011	243	C026	368	XF-21
Grey Green	D	RC293	E012	219	C025	312	XF-71
Yellow	E	RC007	E658	048	C104	4	X-8
Red	F	RC005	E657	049	C103	033	X-7
Clear Blue	G	RC504	403	098	CC01	50	X-23
Clear Red	H	RC503	401	093	CC02	47	X-27
Flat Black	I	RC001	E102	046	C100	33	XF-1
Silver	J	RC020	112	195	C189	8	X-11
Rust	K		E252	040		29	XF-79

★ APPLY DECAL  
HEIAR ABZIEHBILD  
KALKOMANIA  
POUŽITE OBTISK

APPLICARE DECALCOMANIE  
PONER CALCOMANIA  
APPLIQUER DECALCOMANIE

□ OPEN HOLE  
OFFNEN  
WYKONAC OTWÓR  
VYVRTAT OTVOR

FORO APERTO  
HACER AQUERO  
FAIRE UN TROU

□ FILL HOLE  
SCHLIESSEN  
ZAMKNAĆ OTWÓR  
ZAKRYJTE OTVOR

FORO PIENO  
EMPUJE EL AQUERO  
BOUCHER LE TROU

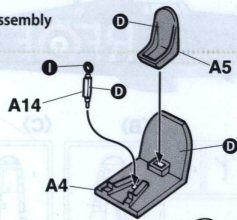
□ REMOVE  
ENTFERNEN  
USUNĄĆ  
ODSTRANIT

□ ST. ARARE  
COY IAH  
P. TIRER

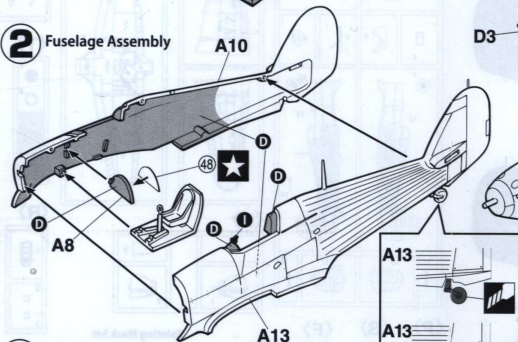
6

Various Parts Installation

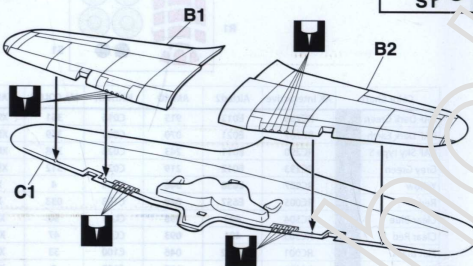
1 Cockpit Assembly



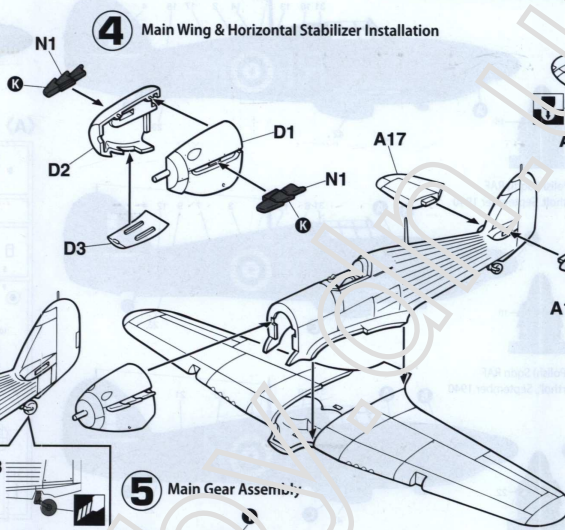
2 Fuselage Assembly



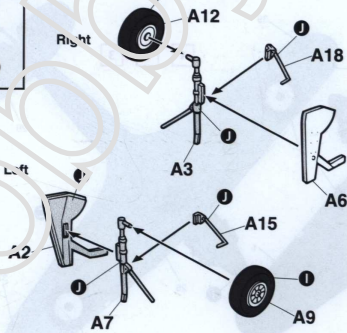
3 Main Wing Assembly



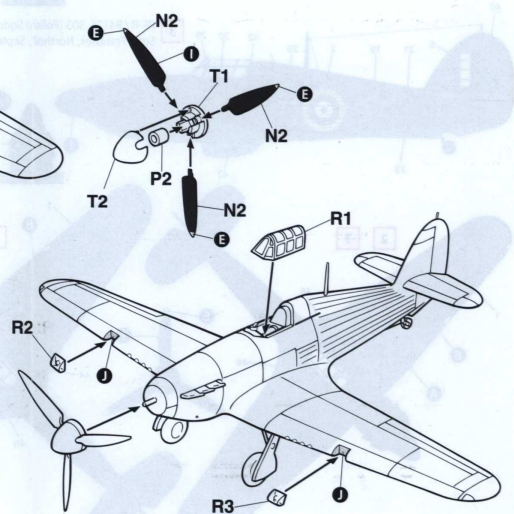
4 Main Wing & Horizontal Stabilizer Installation



5 Main Gear Assembly



7 Canopy & Propeller Installation



# MARKINGS AND PAINTING

Marcio & Pittura

# Markierungen und Bemalung

Oznakowania i Malowanie

# Decoration et Peinture

Označeni & Zbarveni

# Decoracion y Pintura

