

READ BEFORE ASSEMBLY

在組合您的模型之前，請充分閱讀本冊說明書。組合模型您需要如下物品（需另購）：模型膠水；一把模型鉗或一把用於將零件從框架上切下的模型筆刀。筆刀同樣可以用來修整零件的合模綫。祝您制作愉快！

Before assembling your model kit, read through these instructions carefully. To assemble this kit, you will need Plastic glue (not include). A pair of side cutter or a sharp modelling knife is required for removing parts from the frame. Plastic mould lines can be removed with the modelling knife.



請注意
Special instructions



隨愛好選擇
Optional



組合完成
Finished Assembly



制作兩組
Make Two



配重
Weight



塗色
Painting



無需膠粘
Do Not Cement



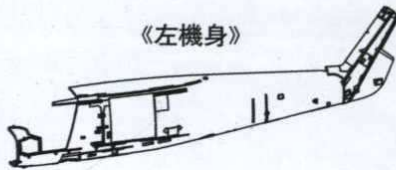
對側
Opposite

部品圖 PARTS

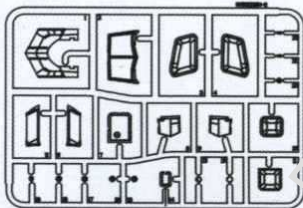
《右機身》



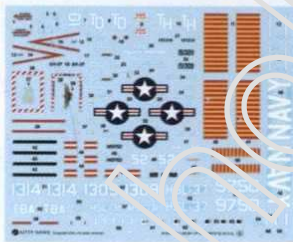
《左機身》



GP



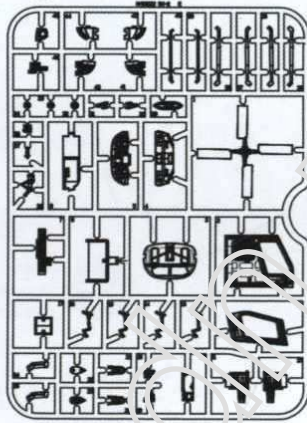
DECAL



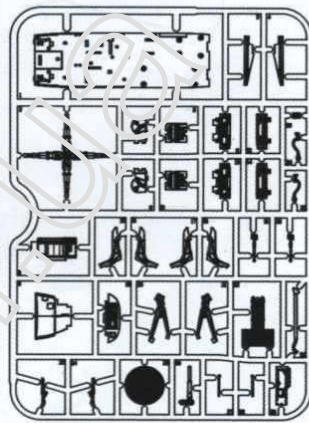
PE



E



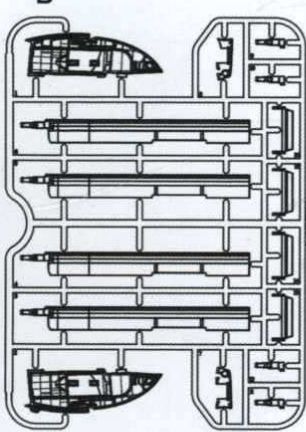
D



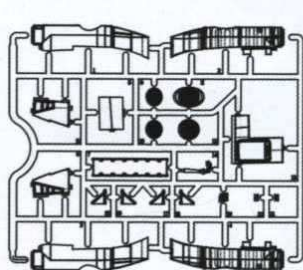
C



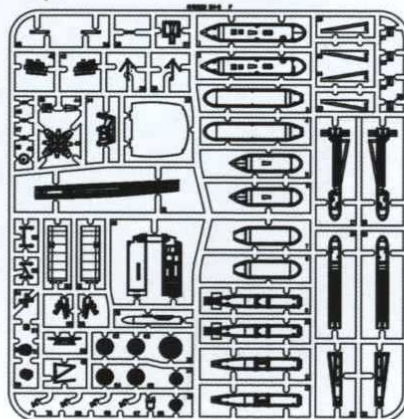
B

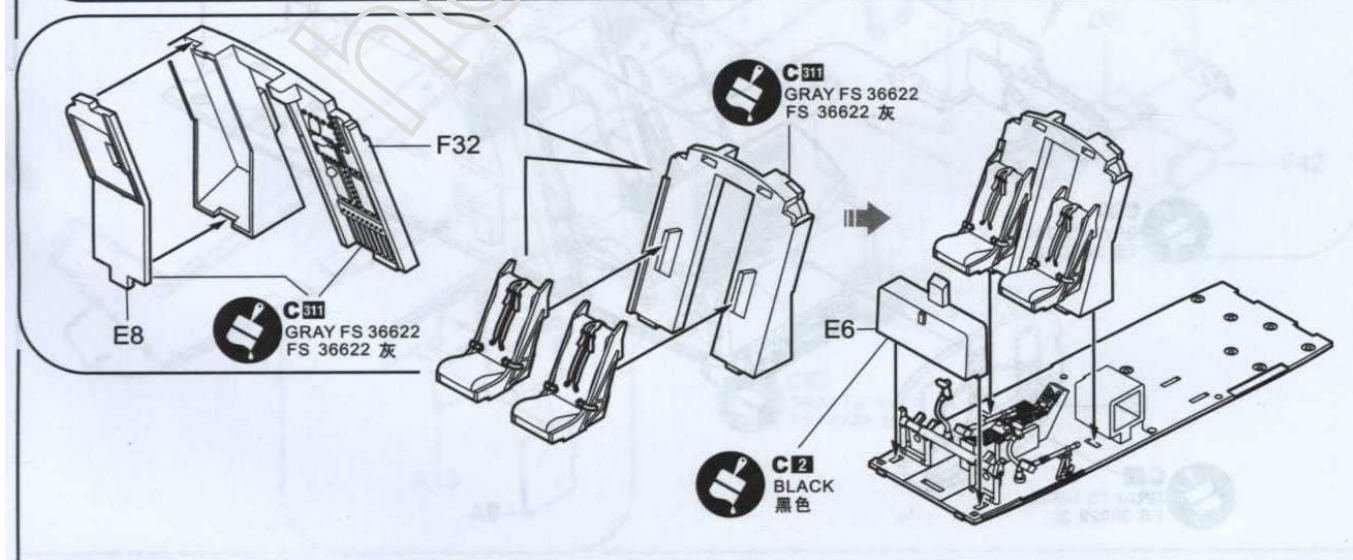
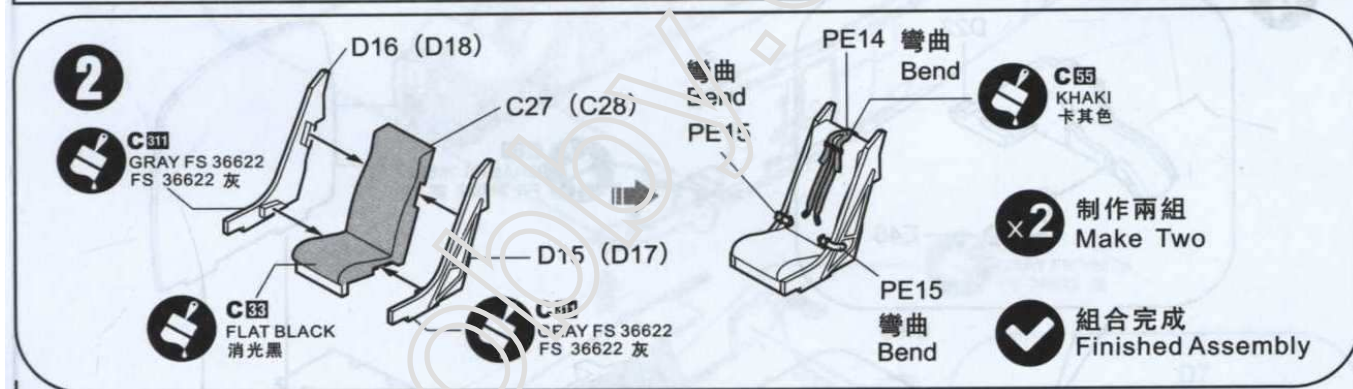
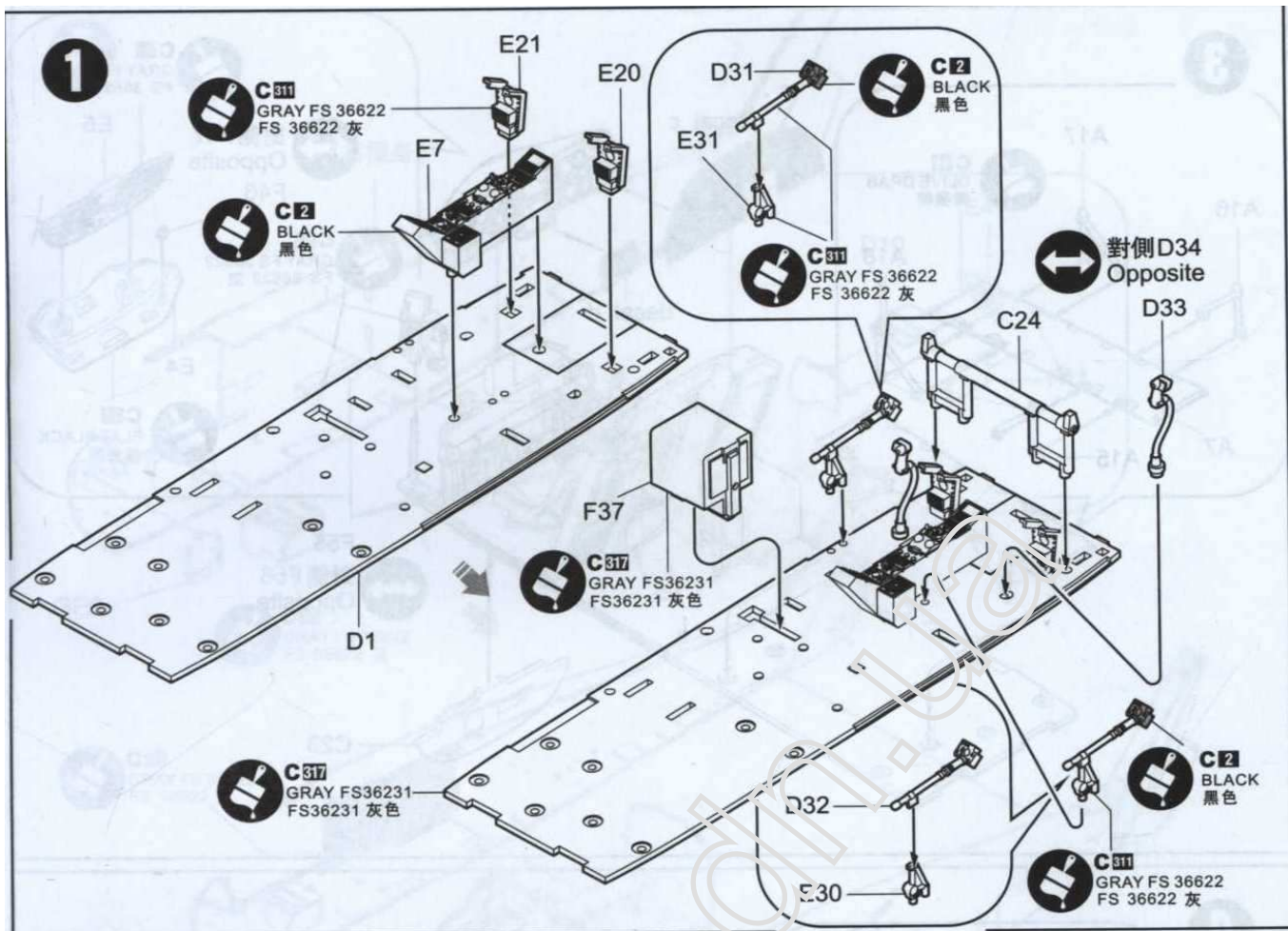


A

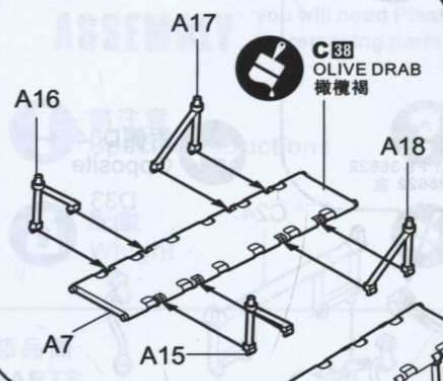


F

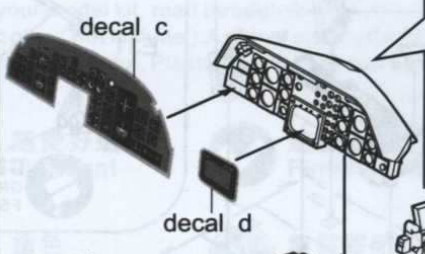




3



C38
OLIVE DRAB
橄欖褐



↔ 對側 F47
Opposite
F46

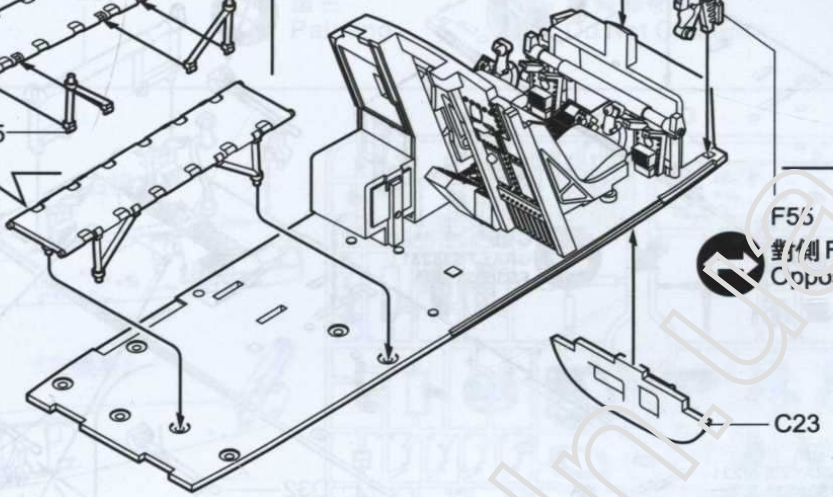
C311
GRAY FS 36622
FS 36622 灰

C311
GRAY FS 36622
FS 36622 灰

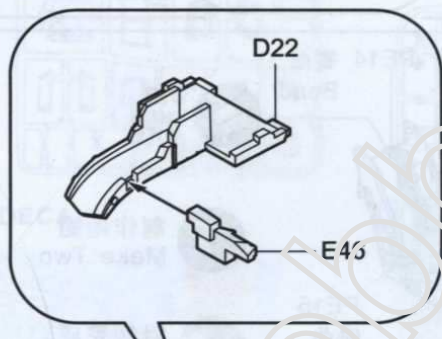


C33
FLAT BLACK
消光黑

↔ 對側 F53
Opposite



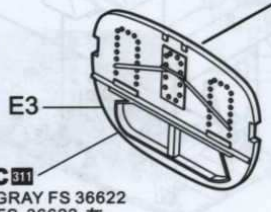
4



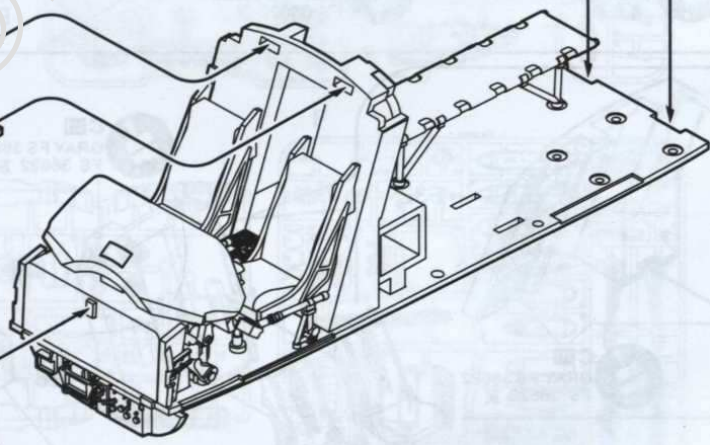
C311
GRAY FS 36622
FS 36622 灰



C311
GRAY FS 36622
FS 36622 灰

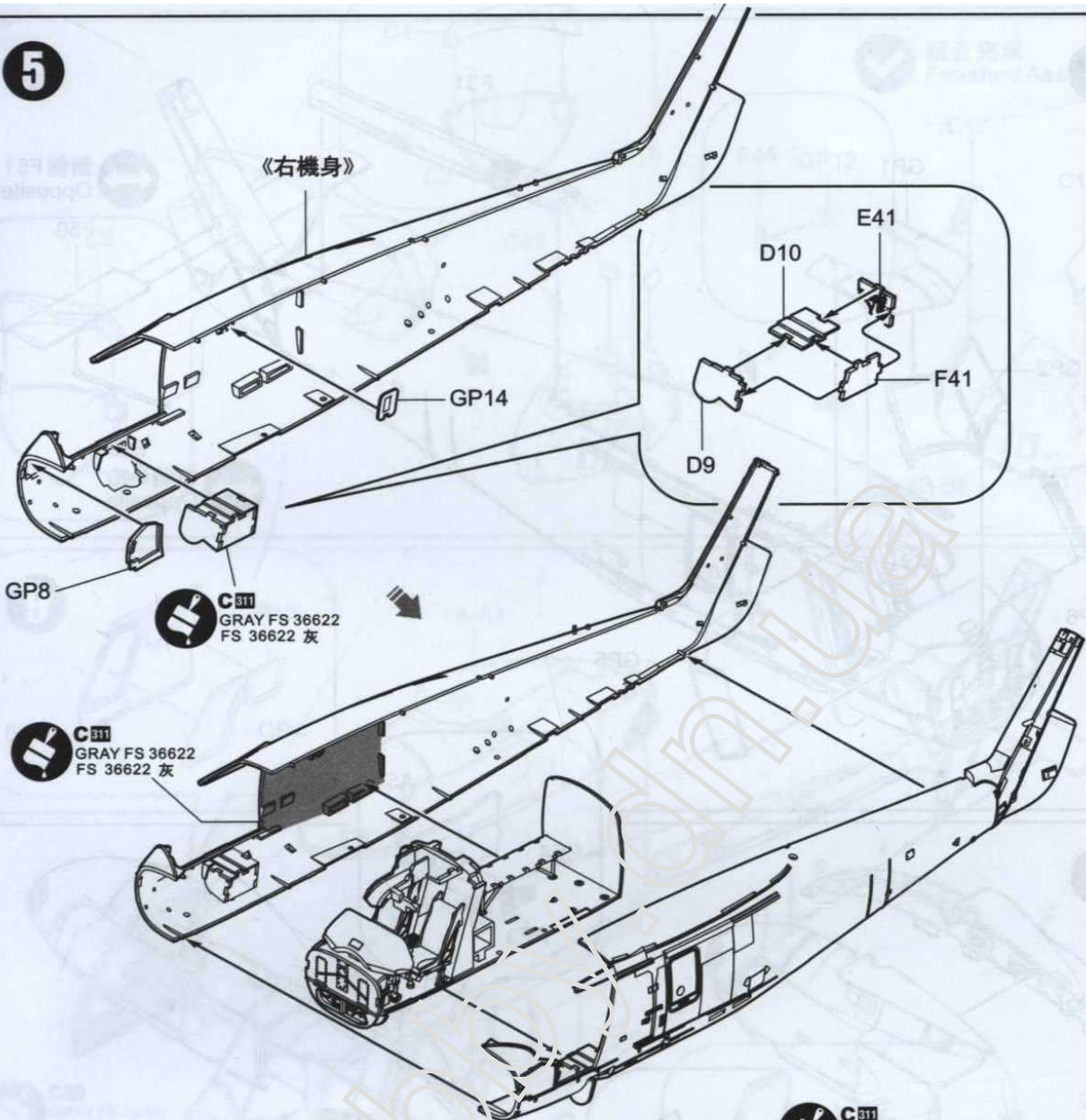


C311
GRAY FS 36622
FS 36622 灰



5

《右機身》

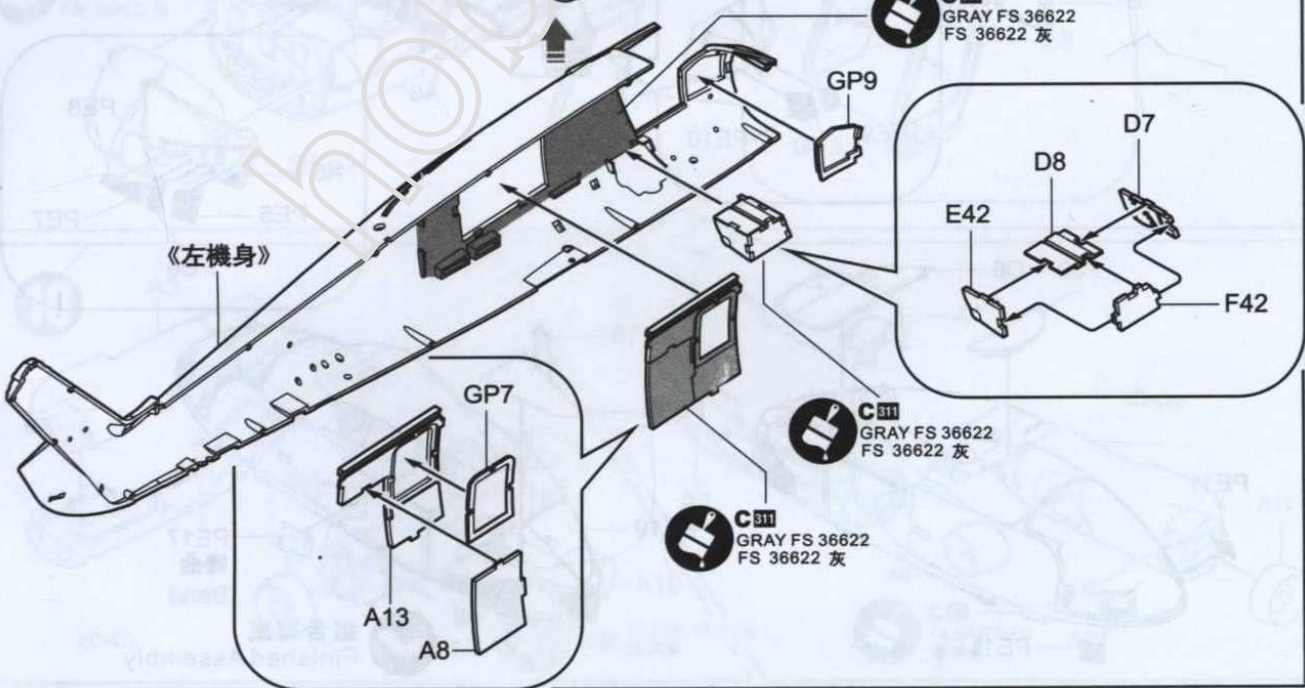


GRAY FS 36622
FS 36622 灰

GRAY FS 36622
FS 36622 灰

GRAY FS 36622
FS 36622 灰

《左機身》

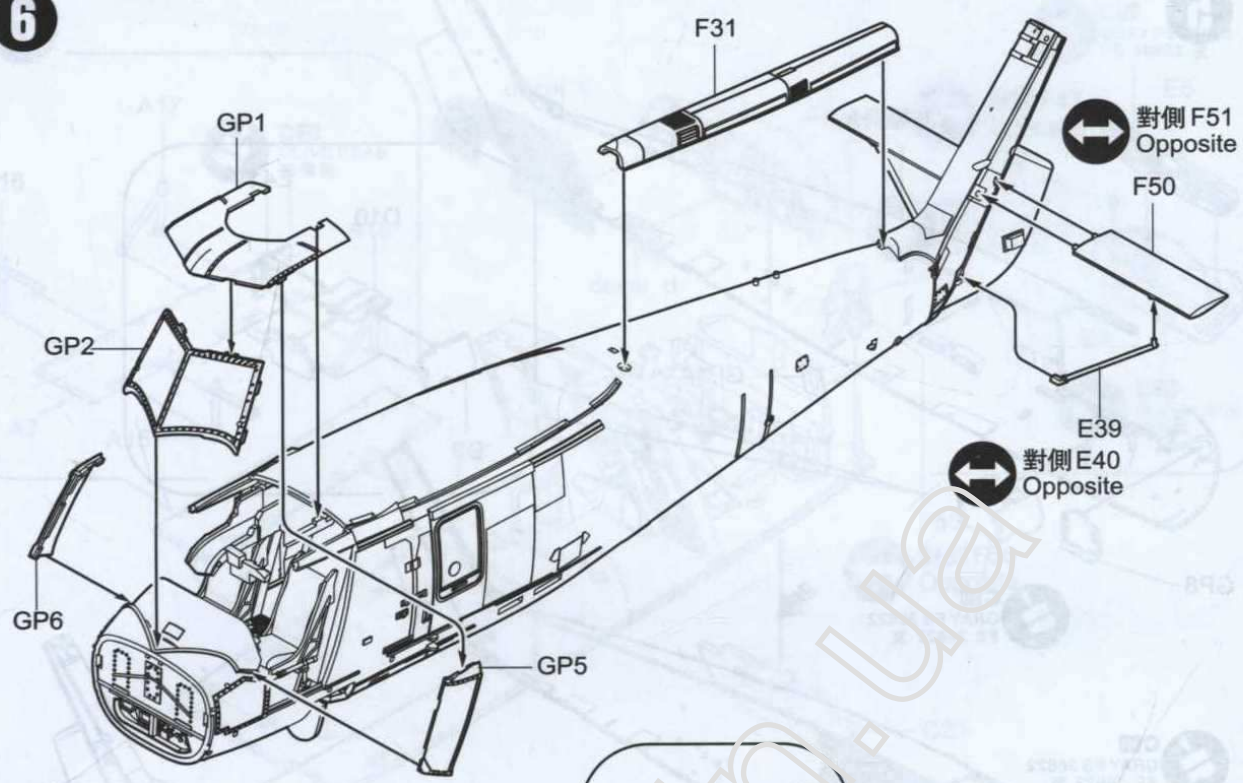


GRAY FS 36622
FS 36622 灰

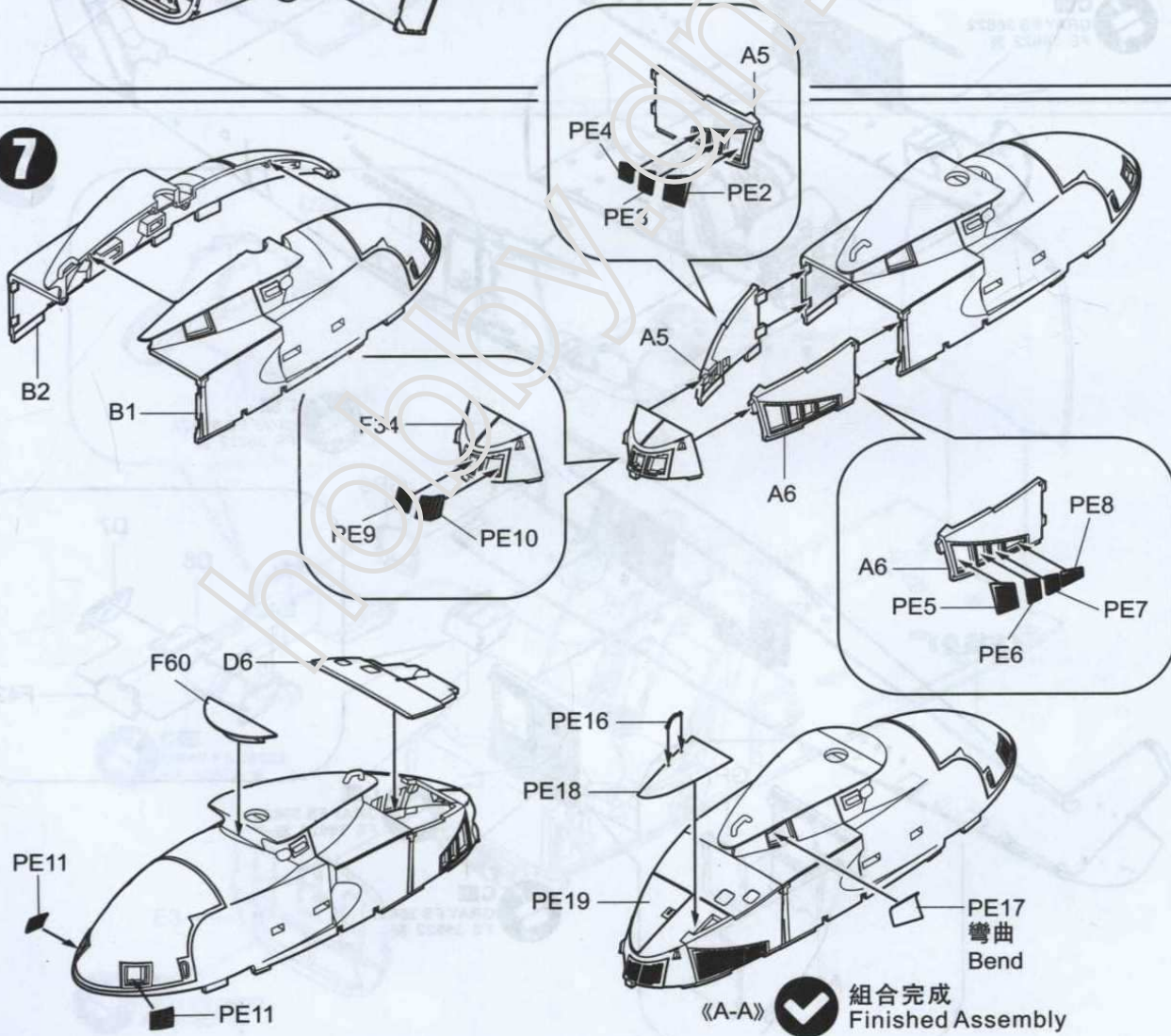
GRAY FS 36622
FS 36622 灰

GRAY FS 36622
FS 36622 灰

6



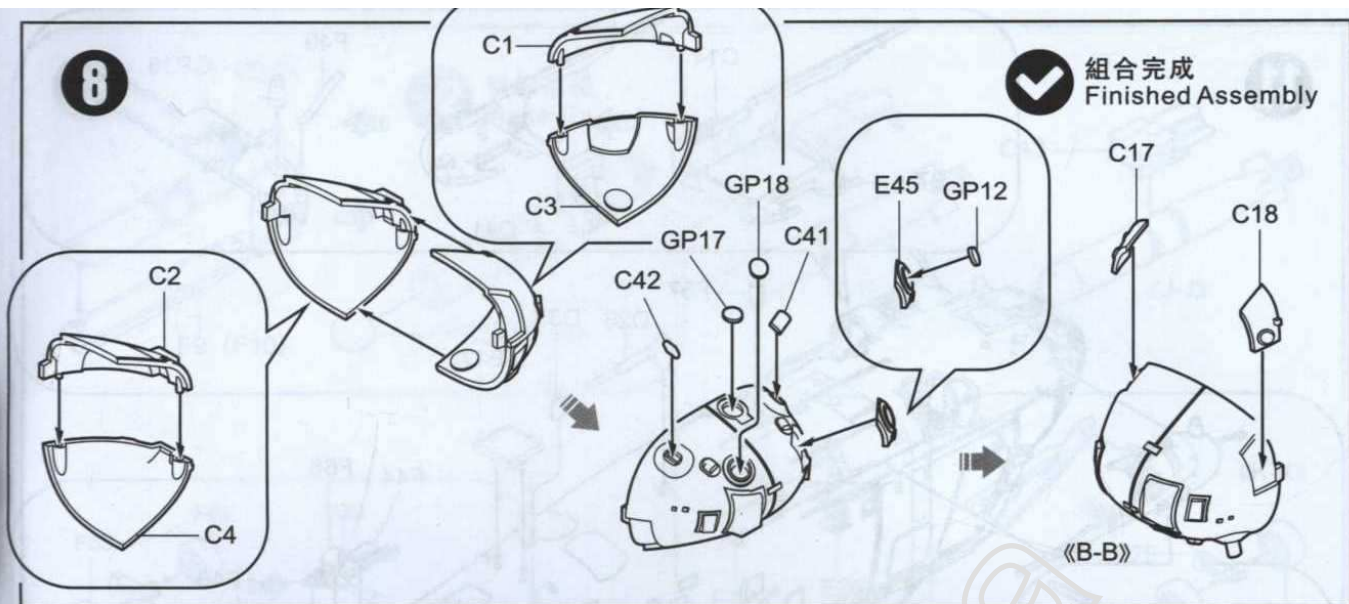
7



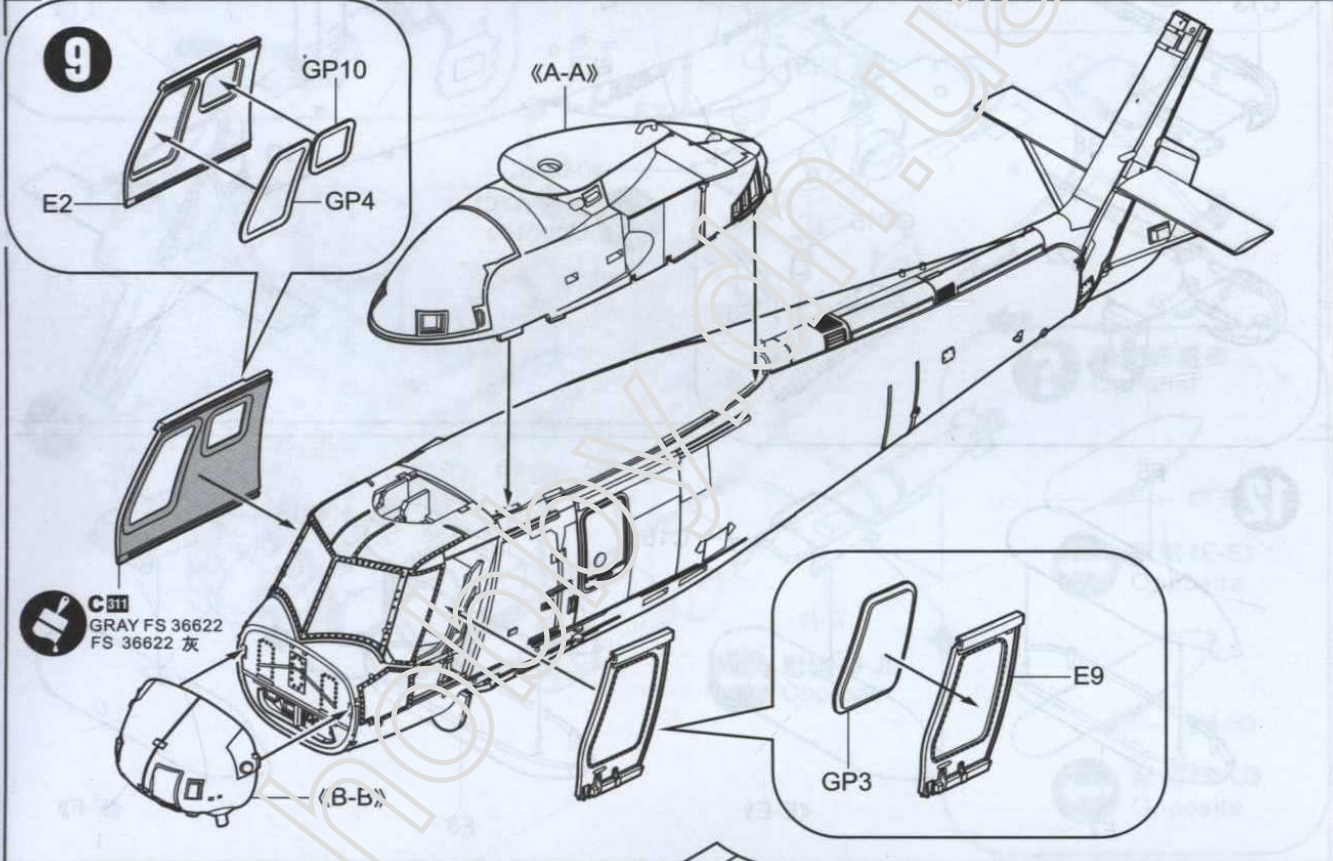
8



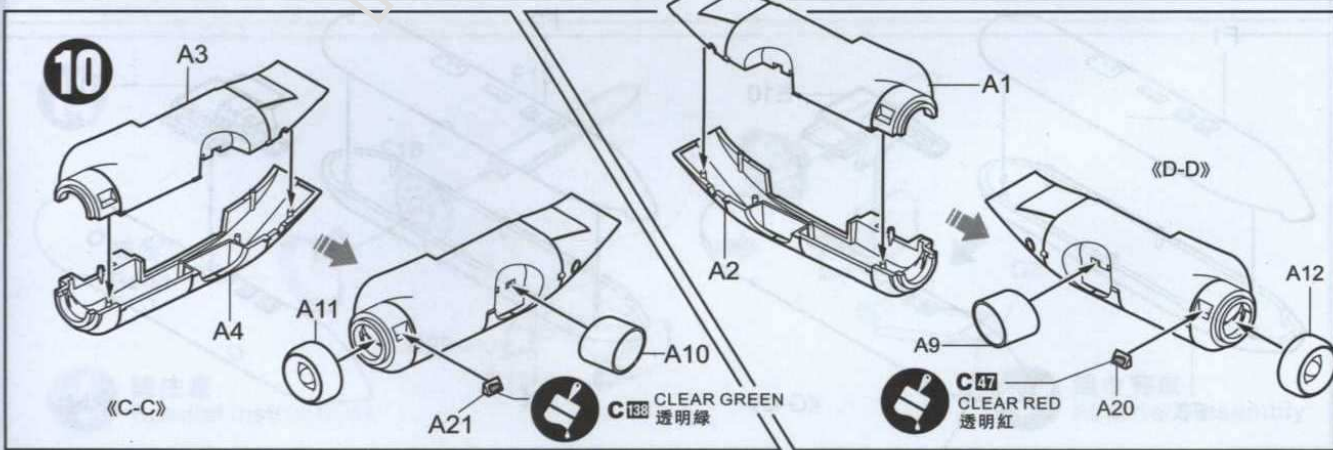
組合完成
Finished Assembly



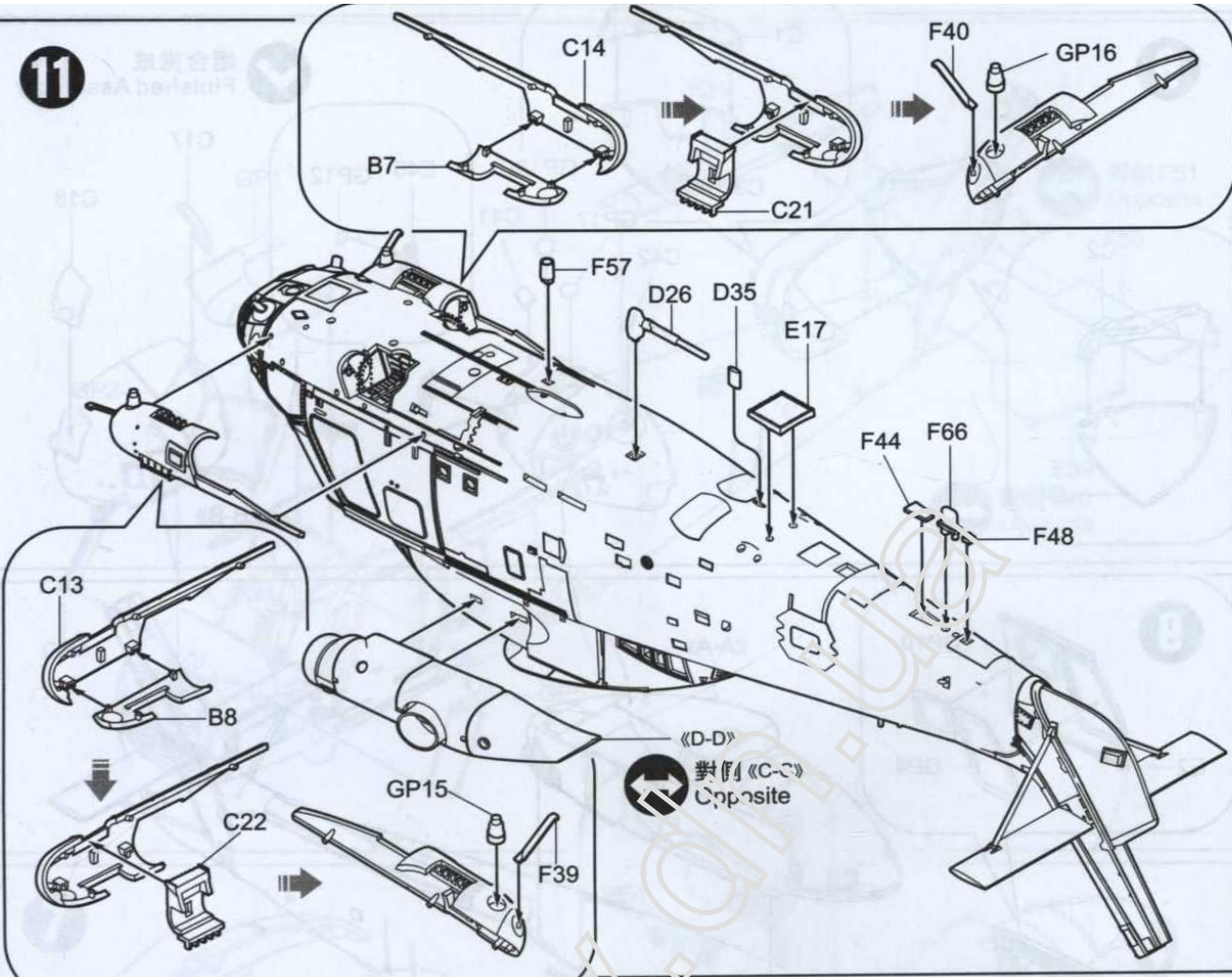
9



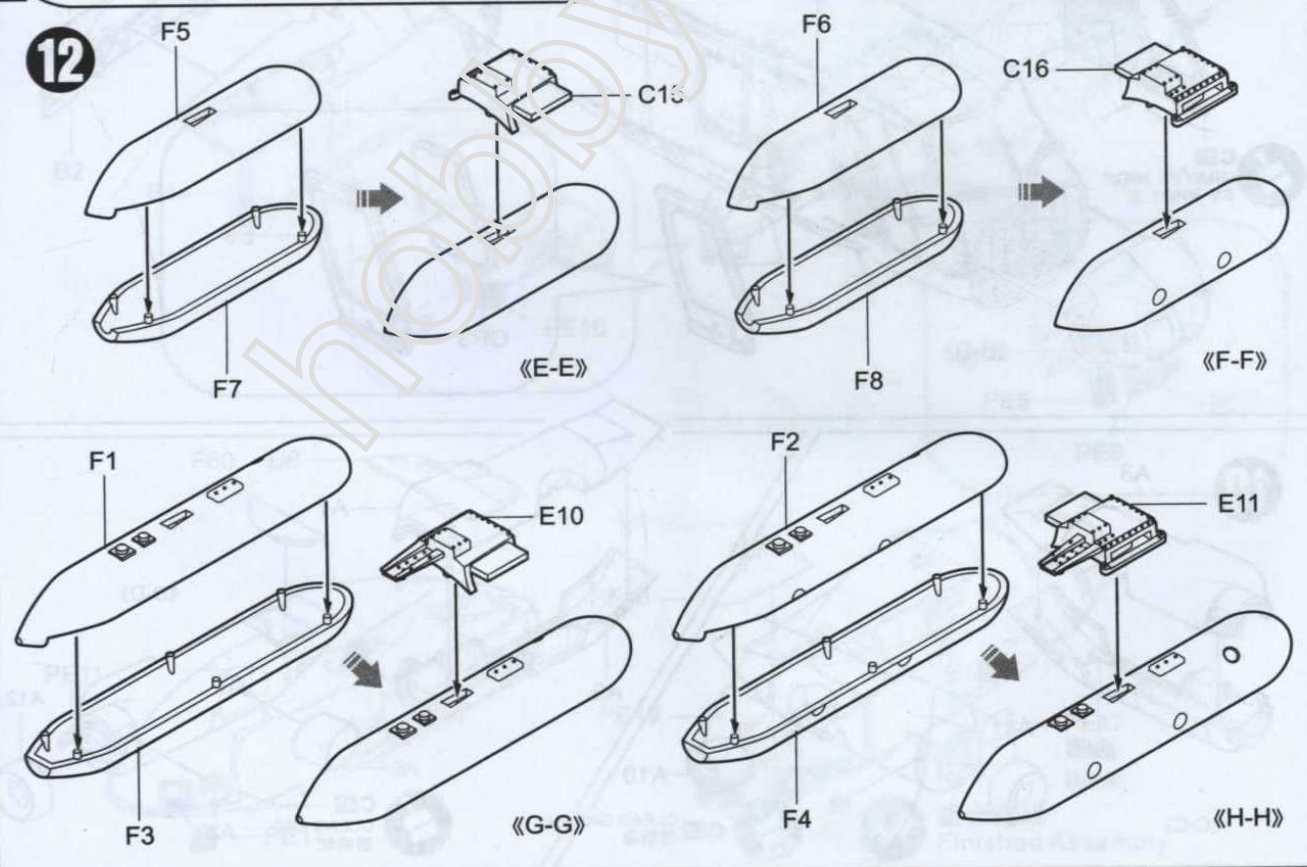
10



11



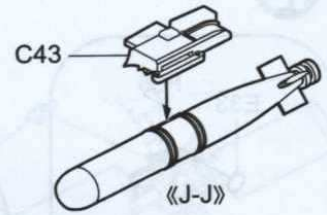
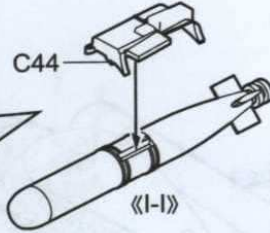
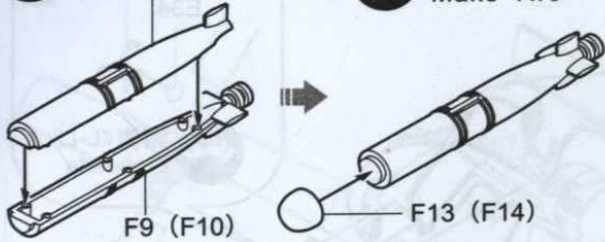
12



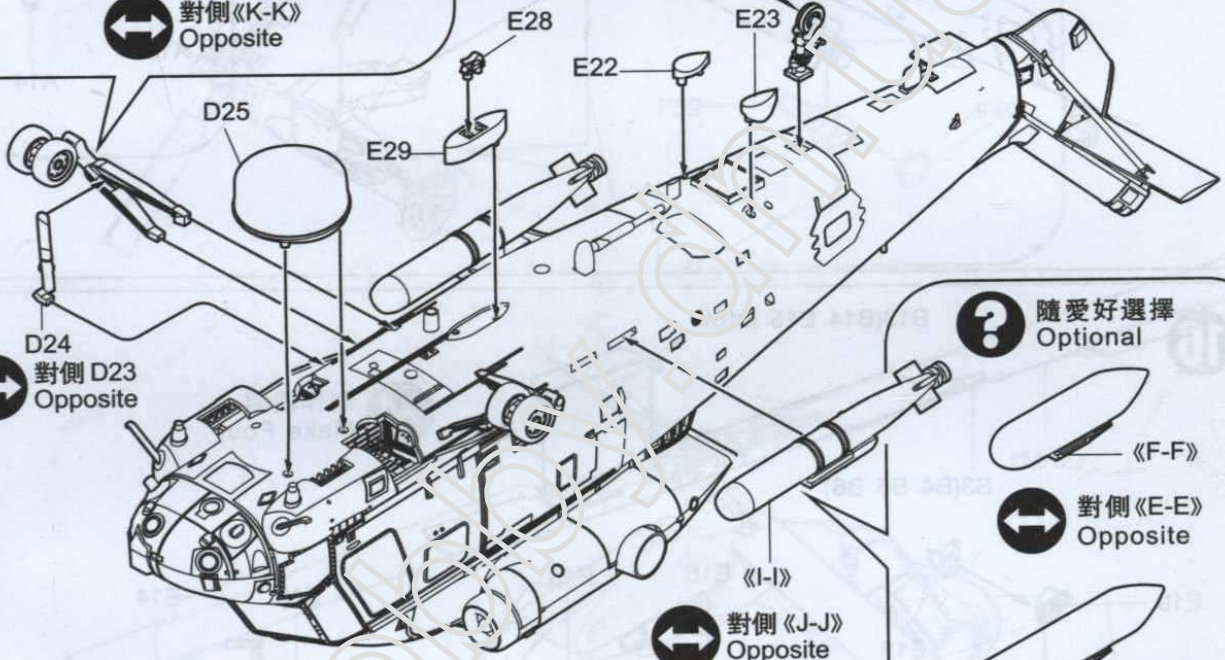
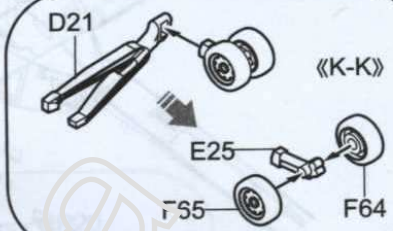
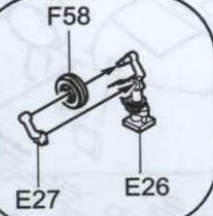
13

F11 (F12)

×2 制作兩組
Make Two



對側$\langle K-K \rangle$
Opposite



對側 D23
Opposite

對側$\langle J-J \rangle$
Opposite

隨愛好選擇
Optional



對側$\langle E-E \rangle$
Opposite

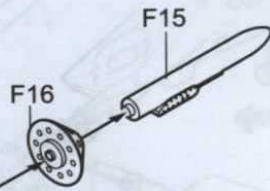


對側$\langle G-G \rangle$
Opposite

14

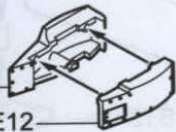
彎曲
Bend

PE1



D29

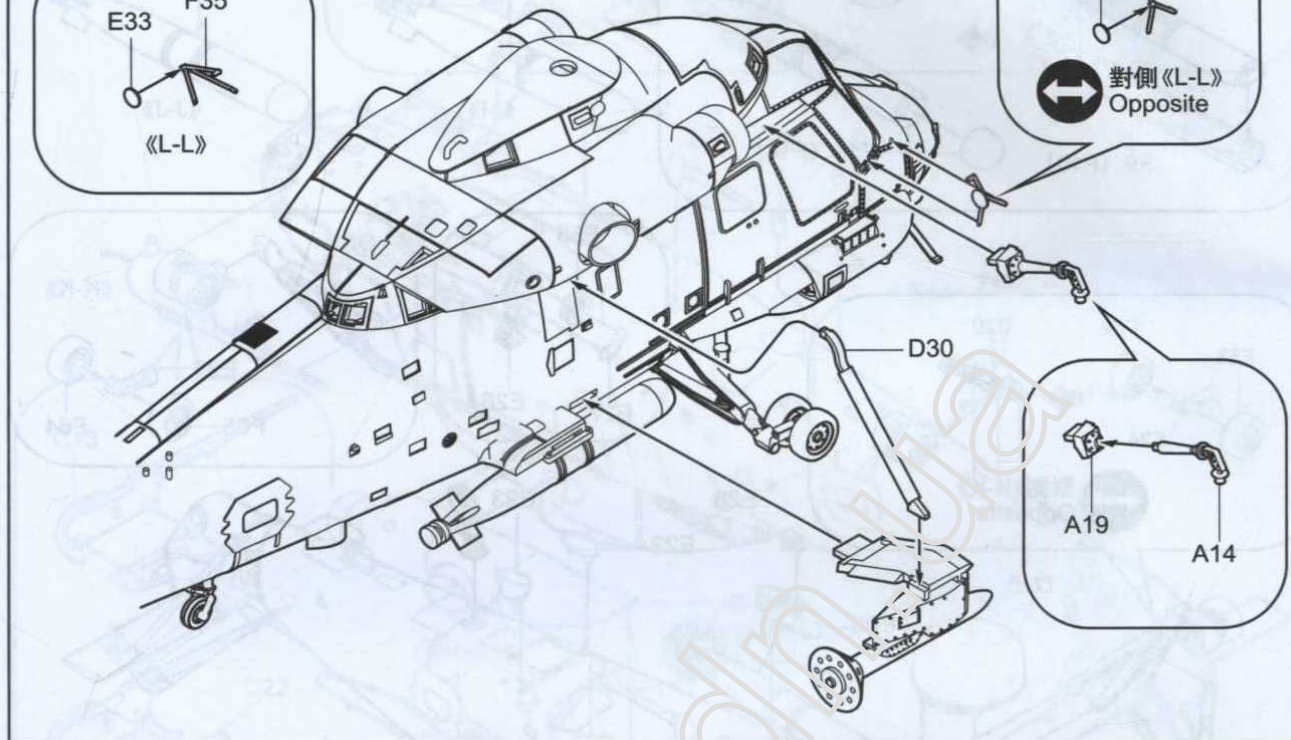
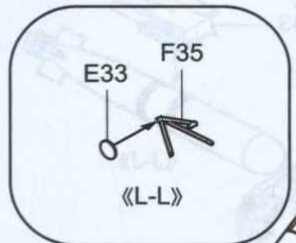
E12



組合完成
Finished Assembly

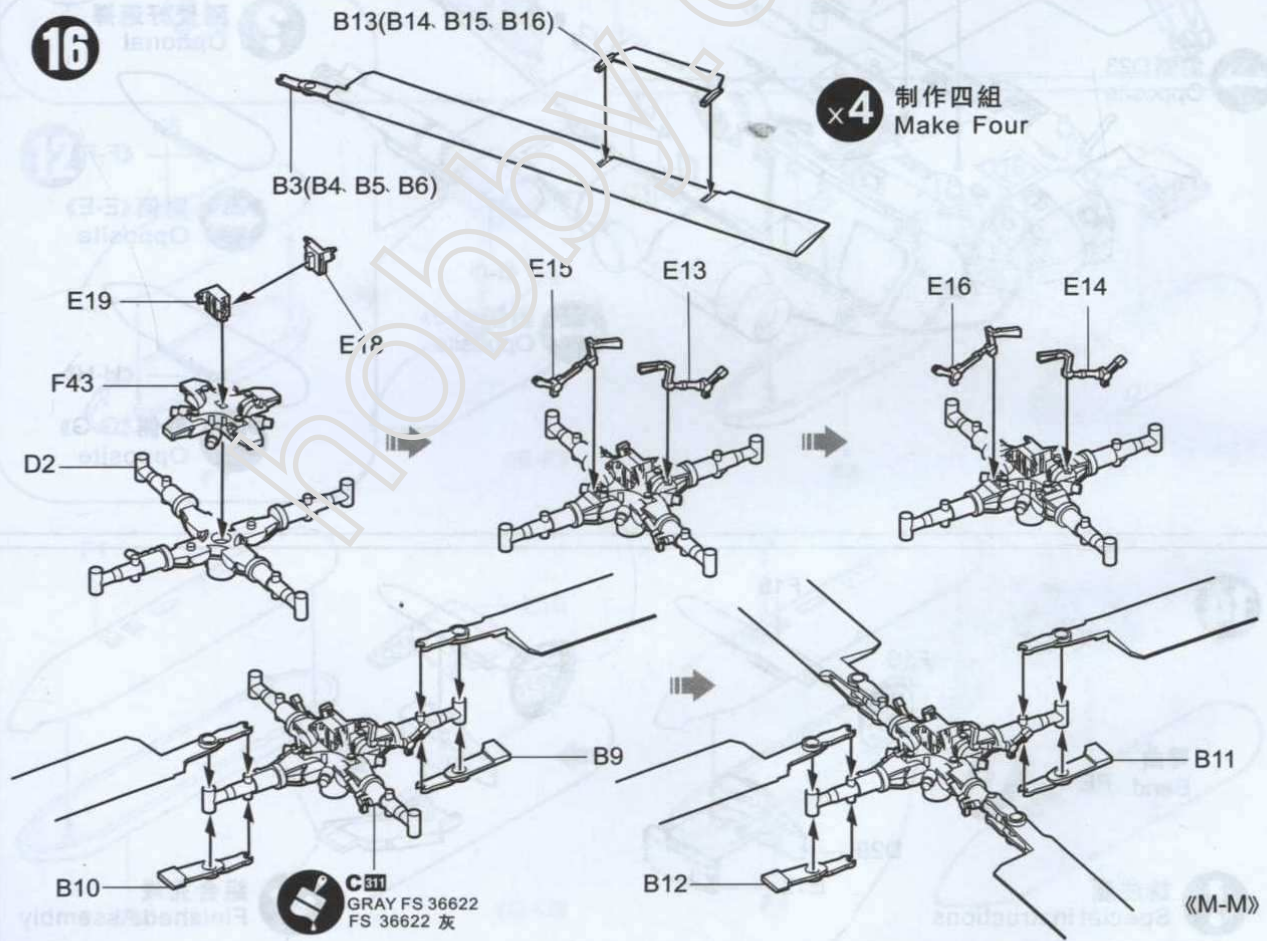
請注意
Special instructions

15



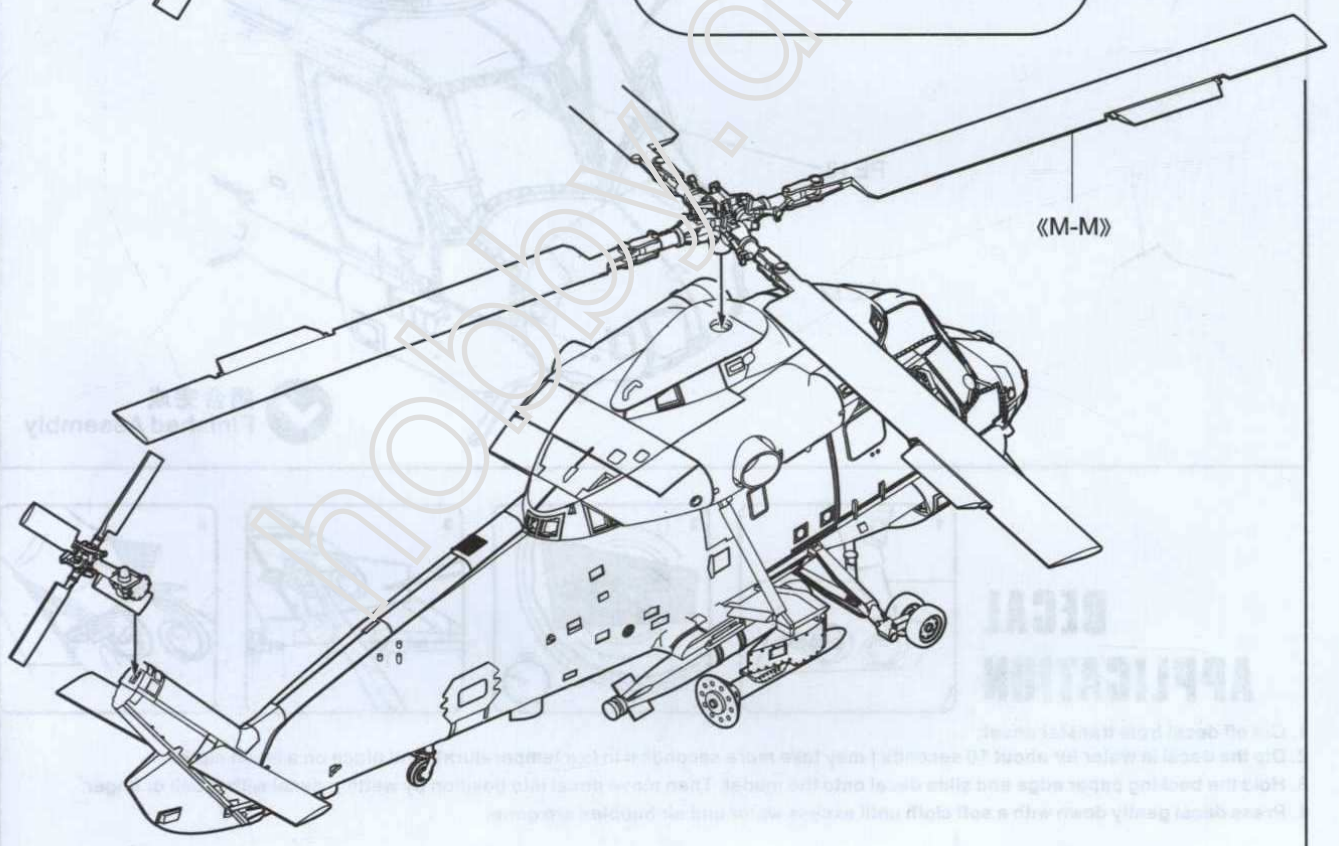
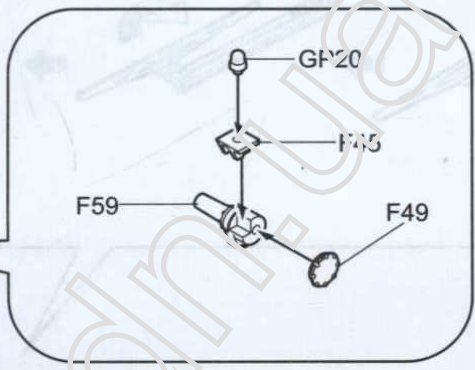
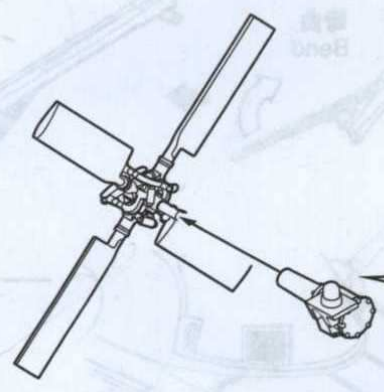
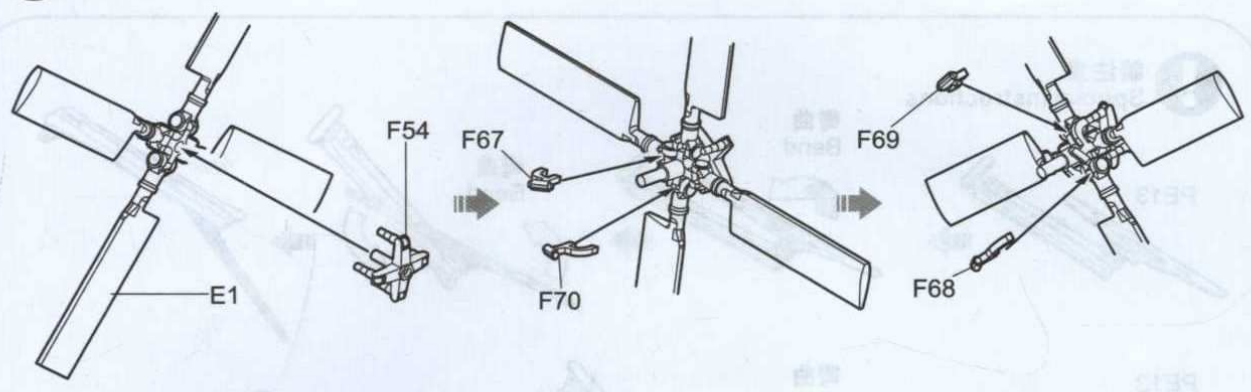
16

x4 制作四組
Make Four



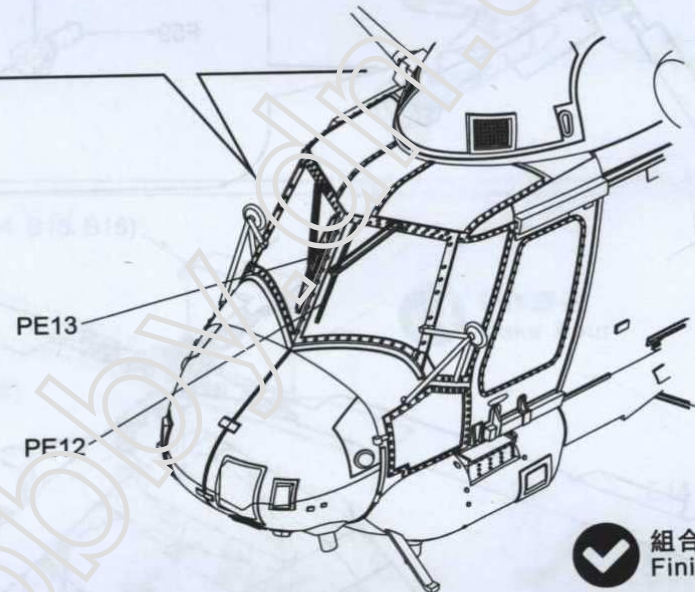
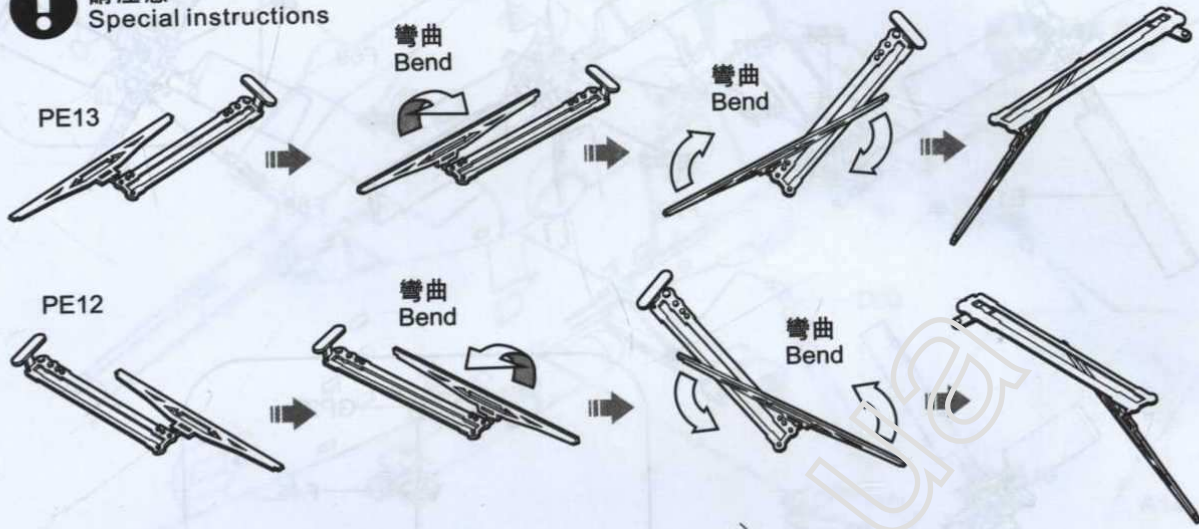
17

18



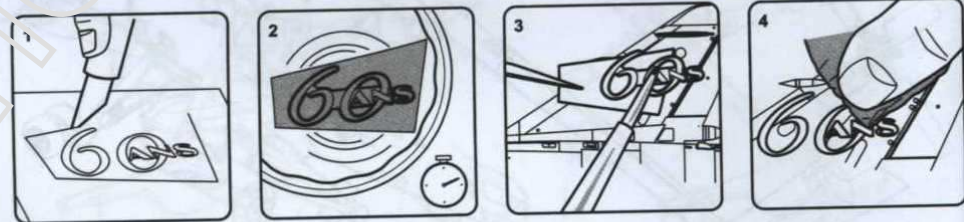
18

! 請注意
Special instructions



✓ 組合完成
Finished Assembly

DECAL APPLICATION



1. Cut off decal from transfer sheet.
2. Dip the decal in water for about 10 seconds (may take more seconds if in low temperature), and place on a clean cloth.
3. Hold the backing paper edge and slide decal onto the model. Then move decal into position by wetting decal with brush or finger.
4. Press decal gently down with a soft cloth until excess water and air bubbles are gone.



Copy Right 2013, Kitty Hawk. All Rights Reserved.

PRINTED IN CHINA