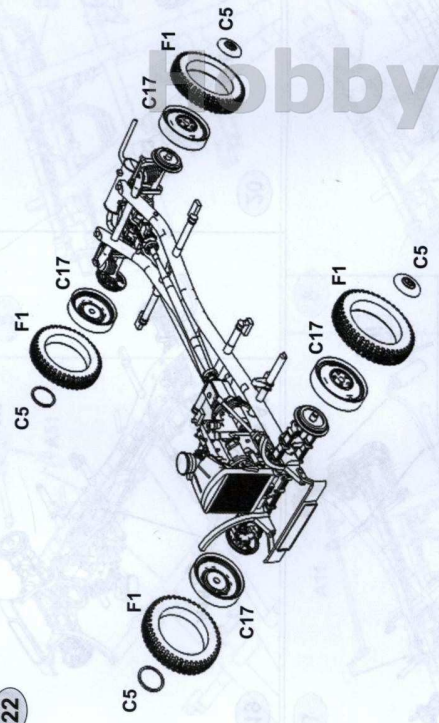
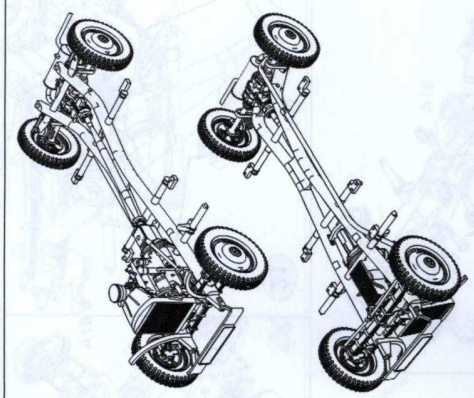


22

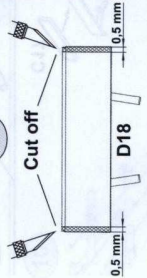


23

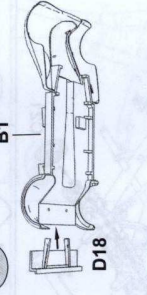


Autobody

1



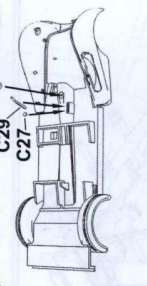
2



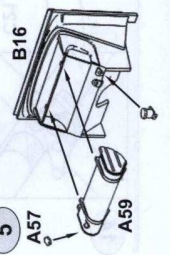
3



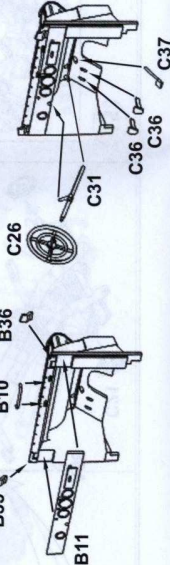
4



5

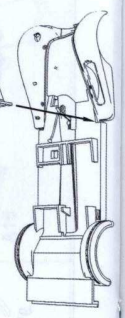


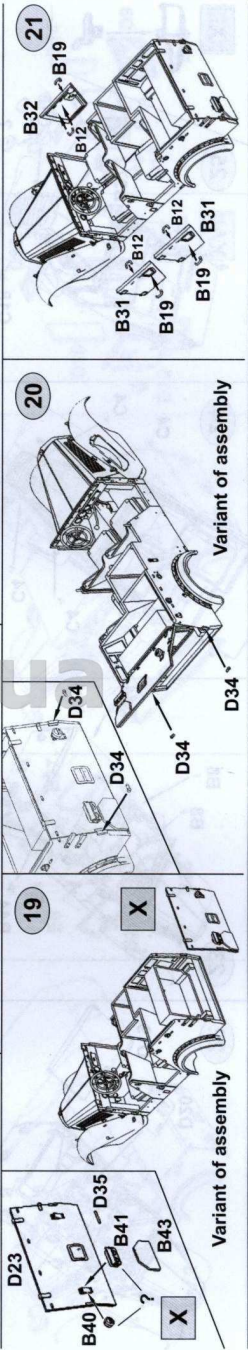
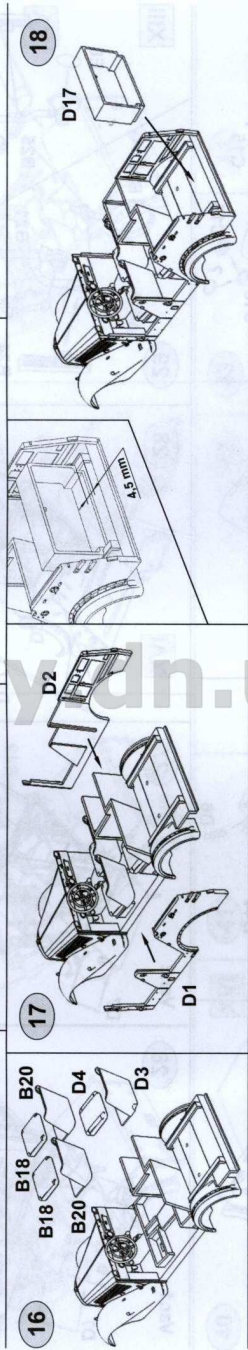
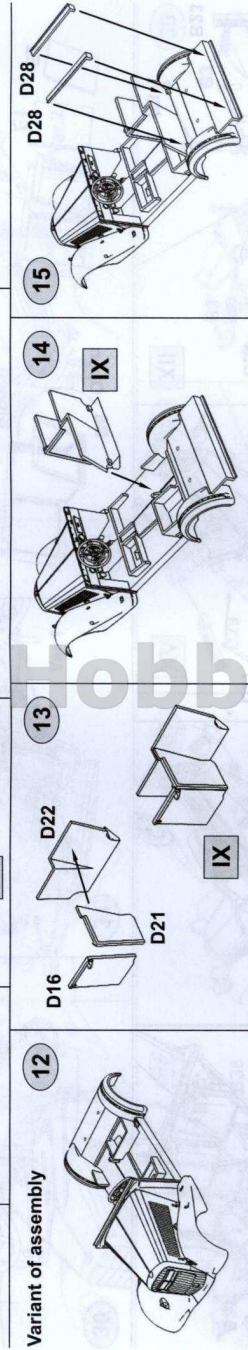
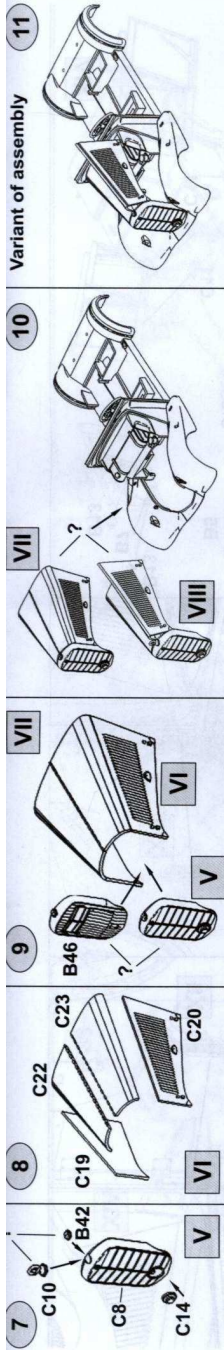
6

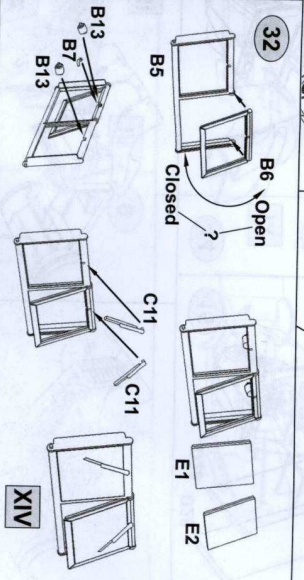
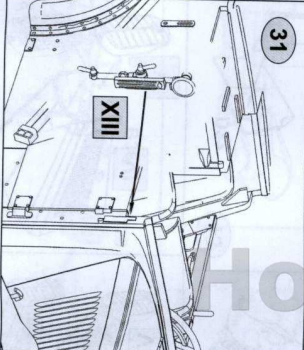
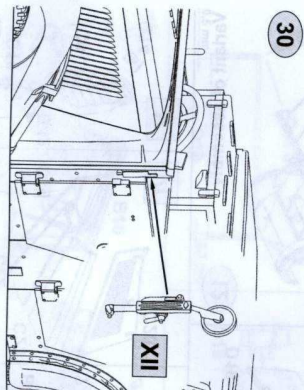
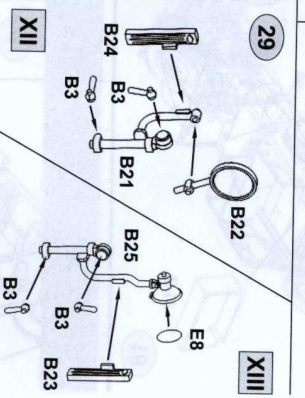
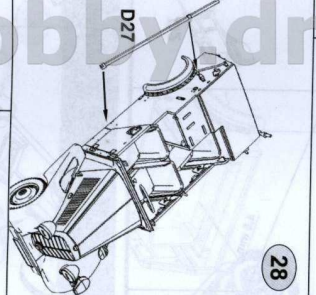
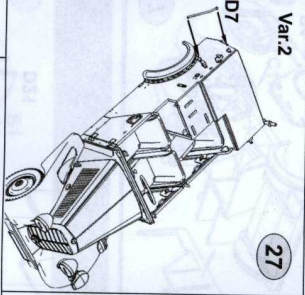
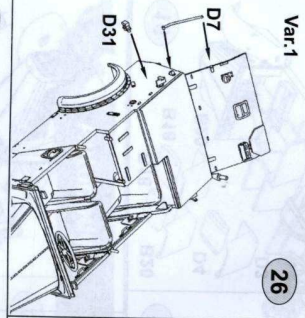
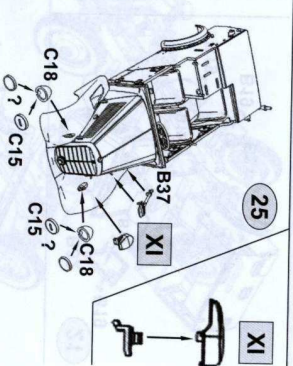
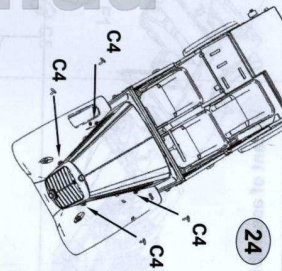
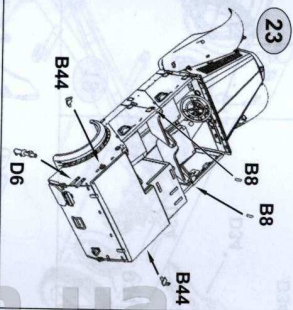
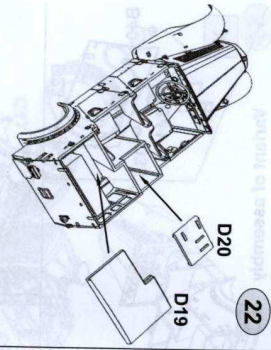


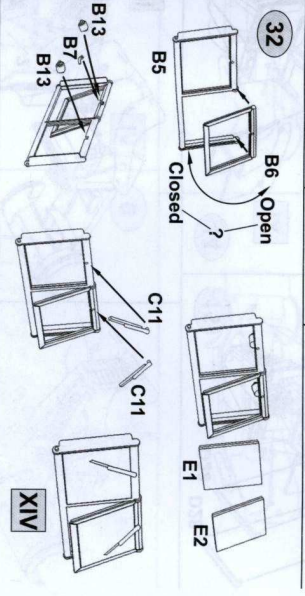
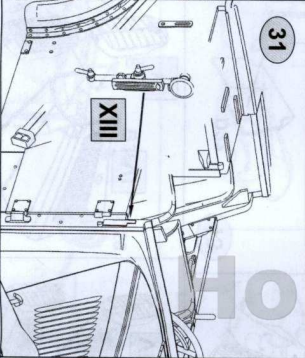
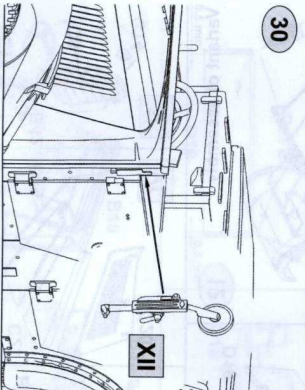
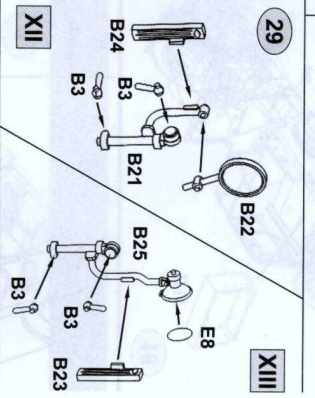
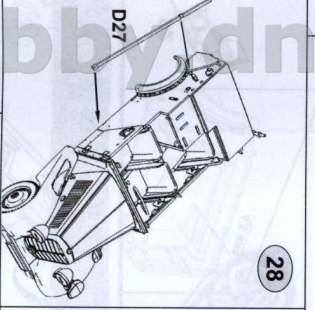
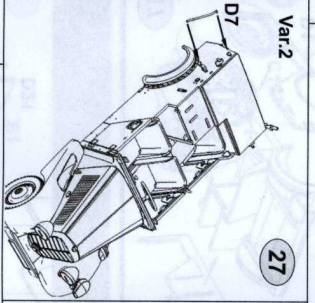
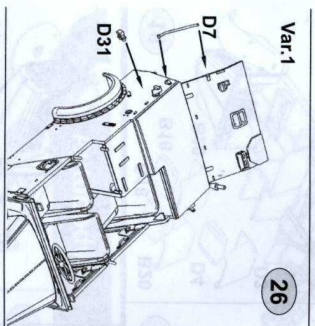
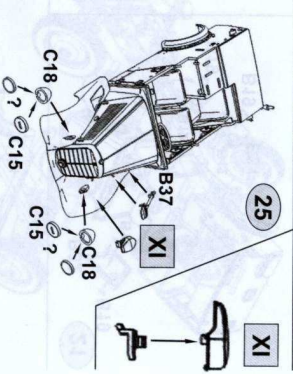
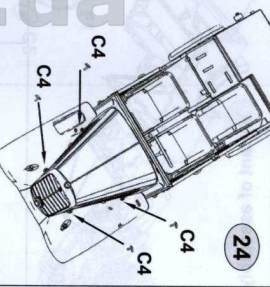
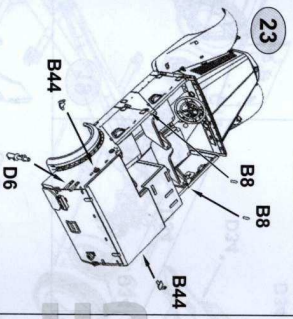
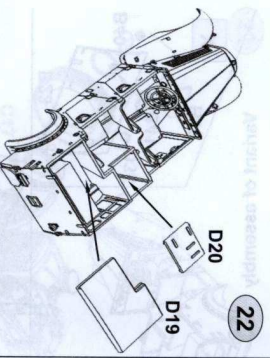
IV

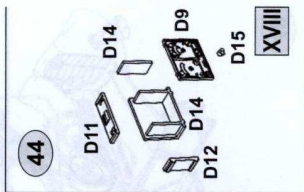
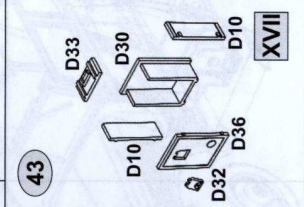
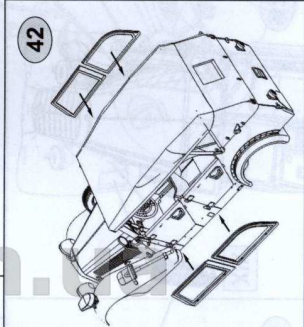
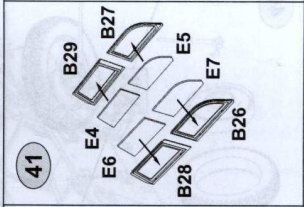
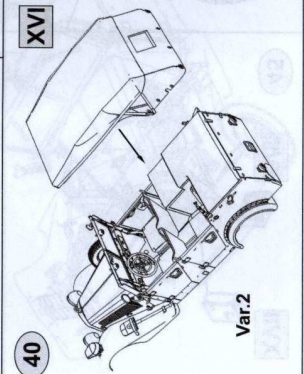
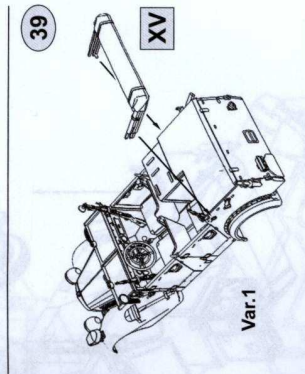
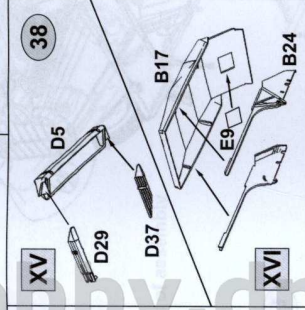
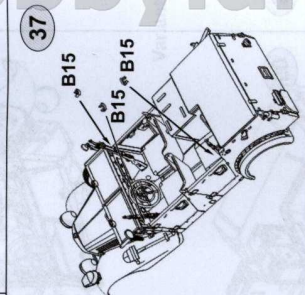
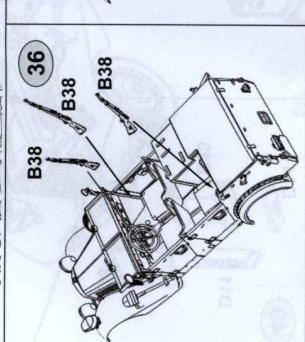
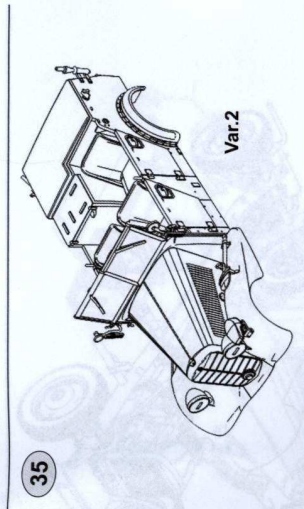
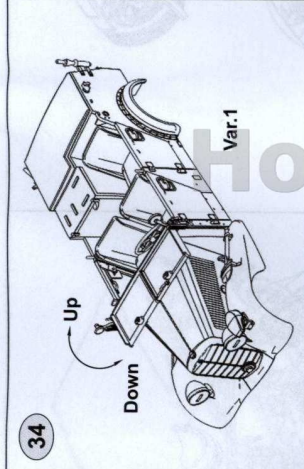
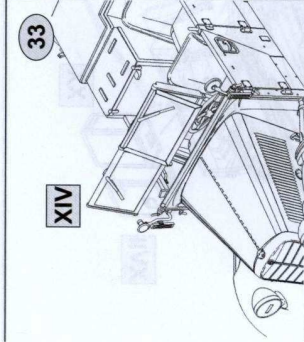
IV

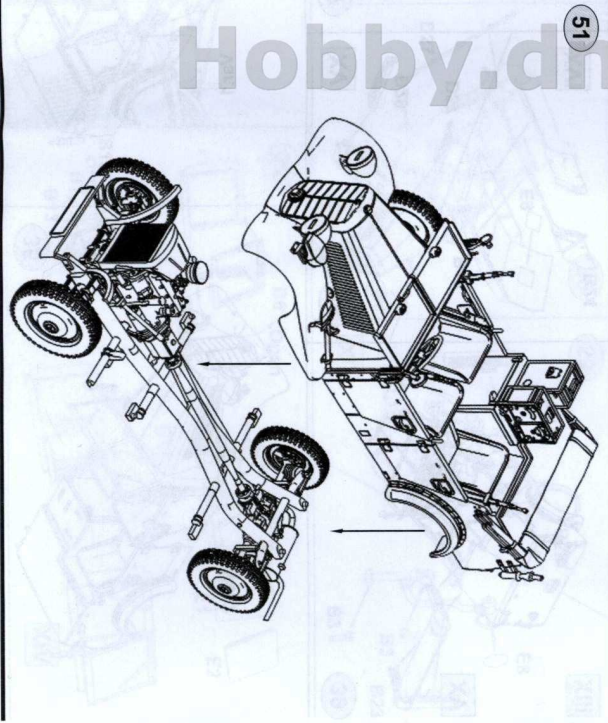
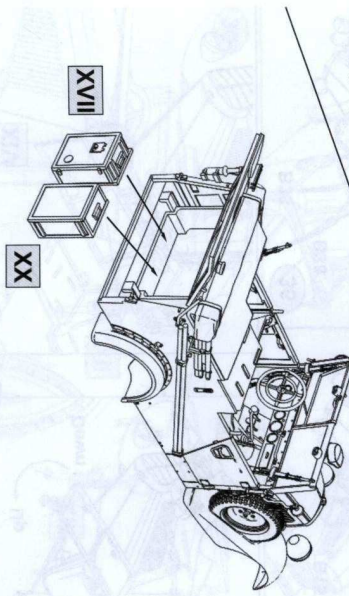
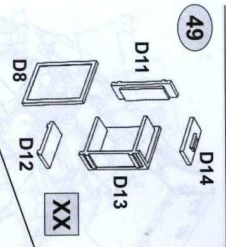
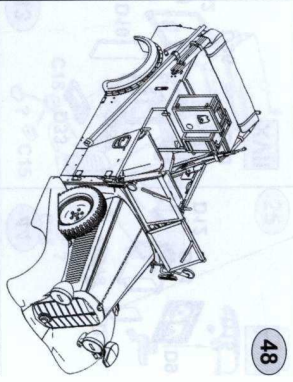
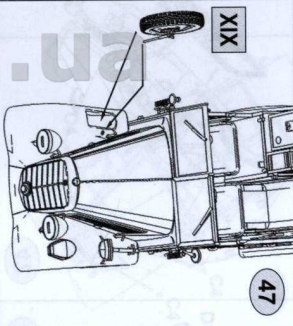
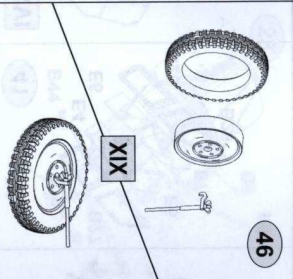
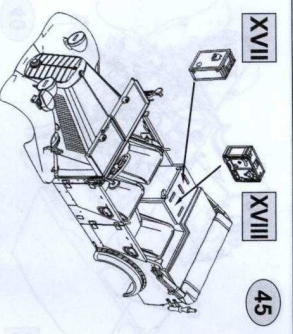




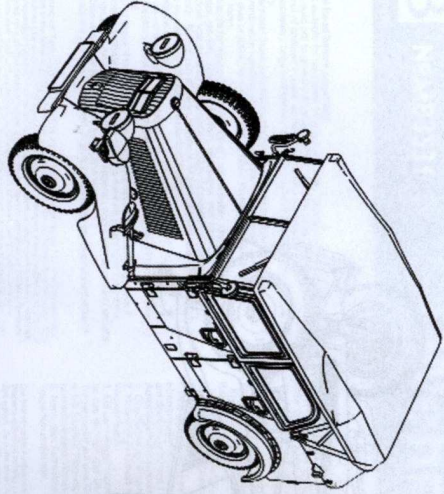
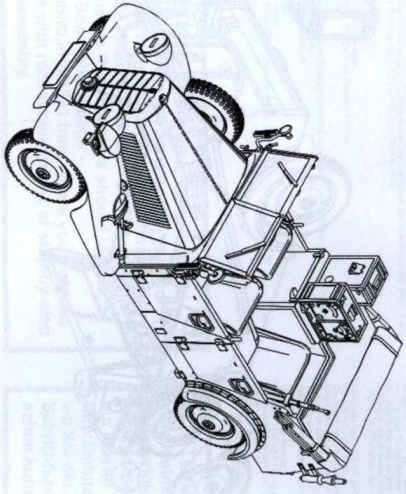








Hobby.dn.ua



Variants of assembly

Hobby.dn.ua

