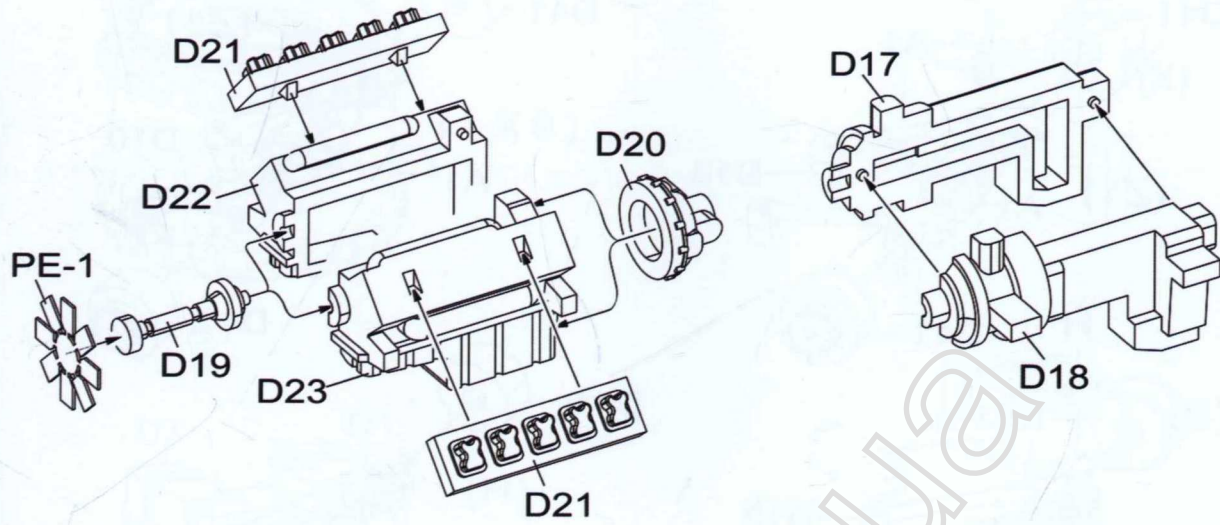




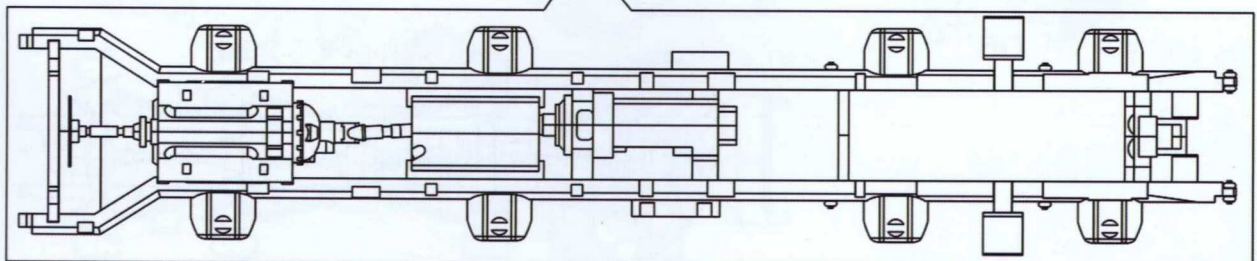
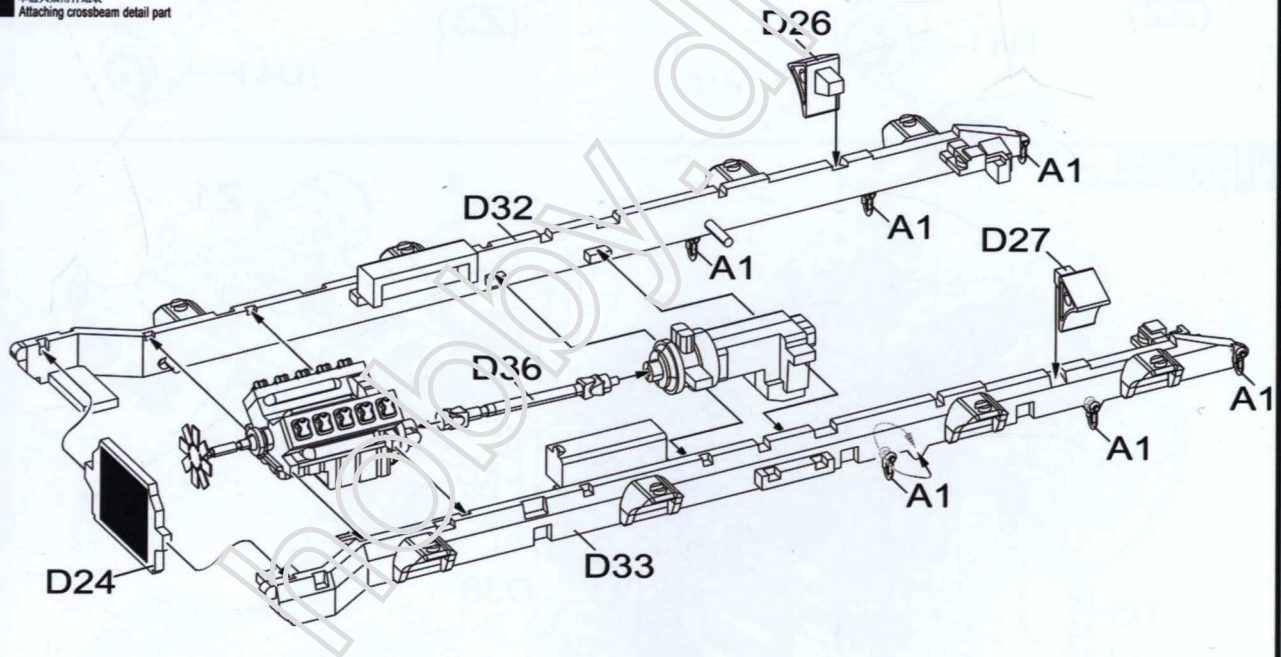
1

发动机及传动结构组装  
發動機及傳動結構組裝  
Attaching engine part and transmission system



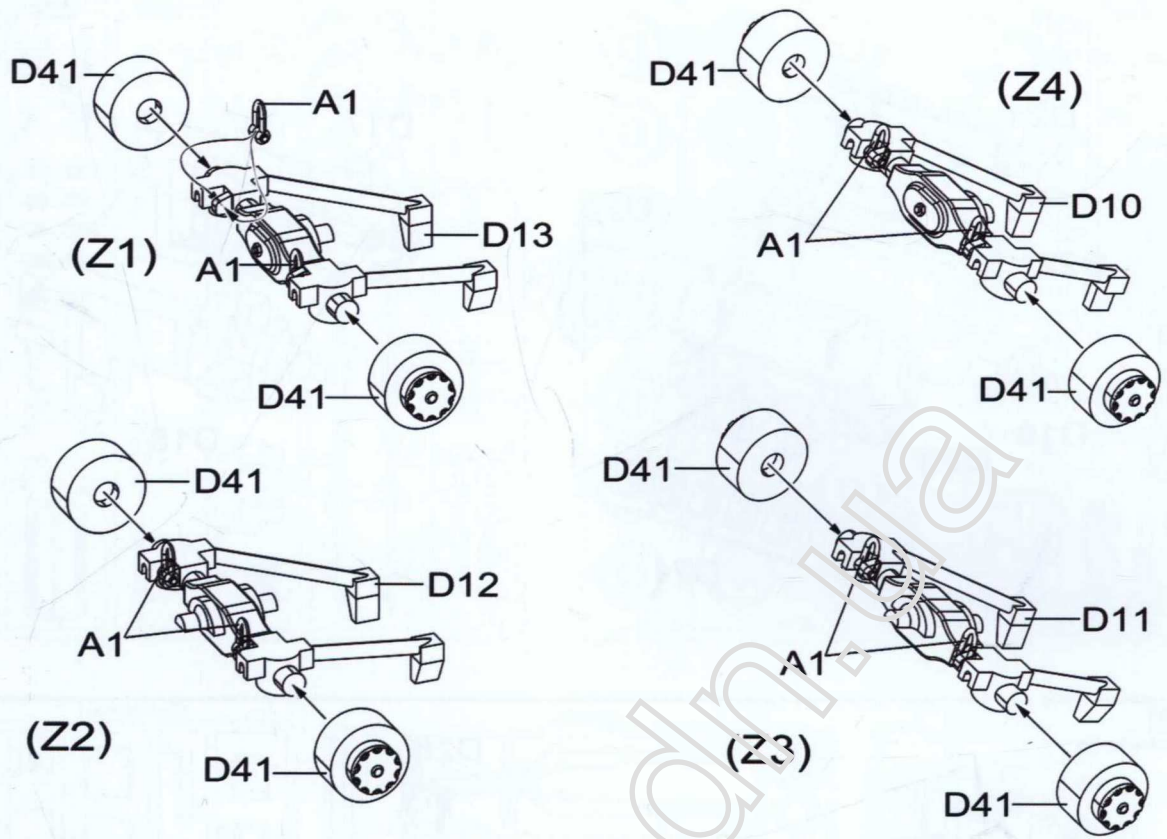
2

车体大梁附件组装  
車體大梁附件組裝  
Attaching crossbeam detail part



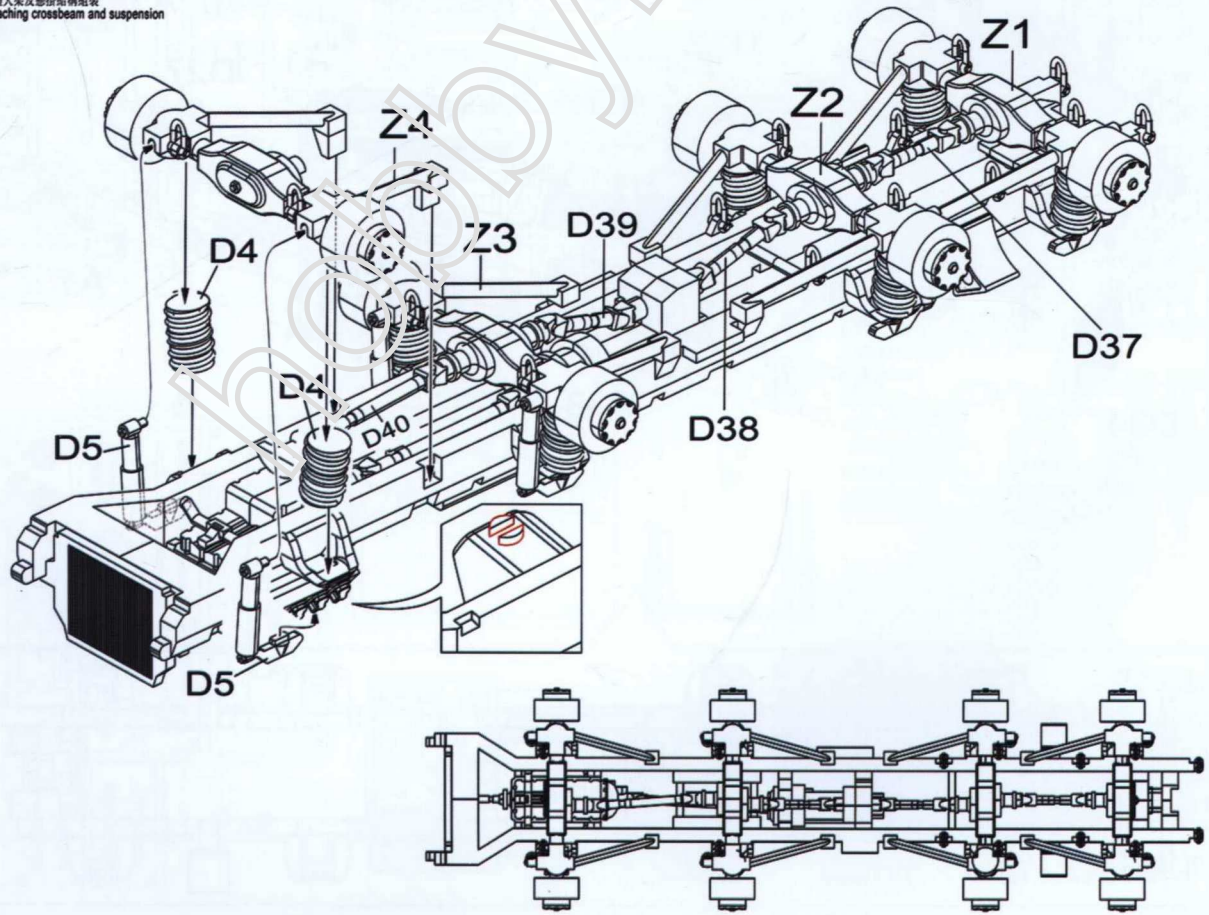
3

车体大梁及悬挂结构组装  
車體大梁及懸掛結構組裝  
Attaching crossbeam and suspension



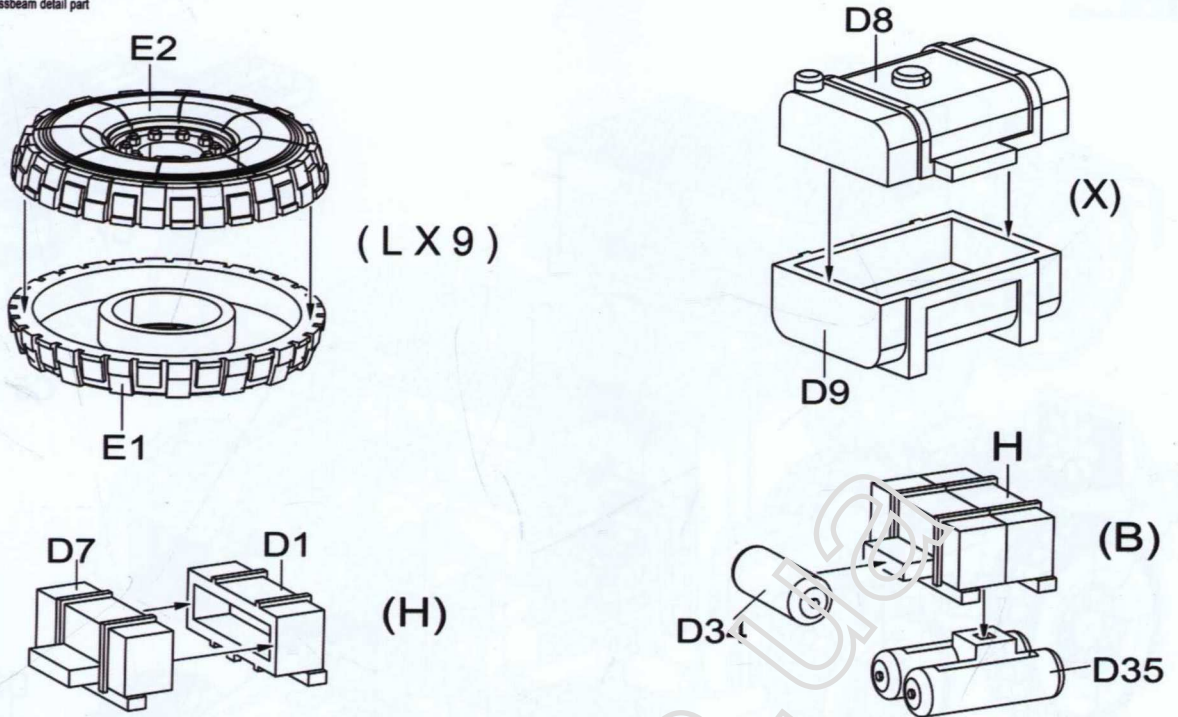
4

车体大梁及悬挂结构组装  
車體大梁及懸掛結構組裝  
Attaching crossbeam and suspension



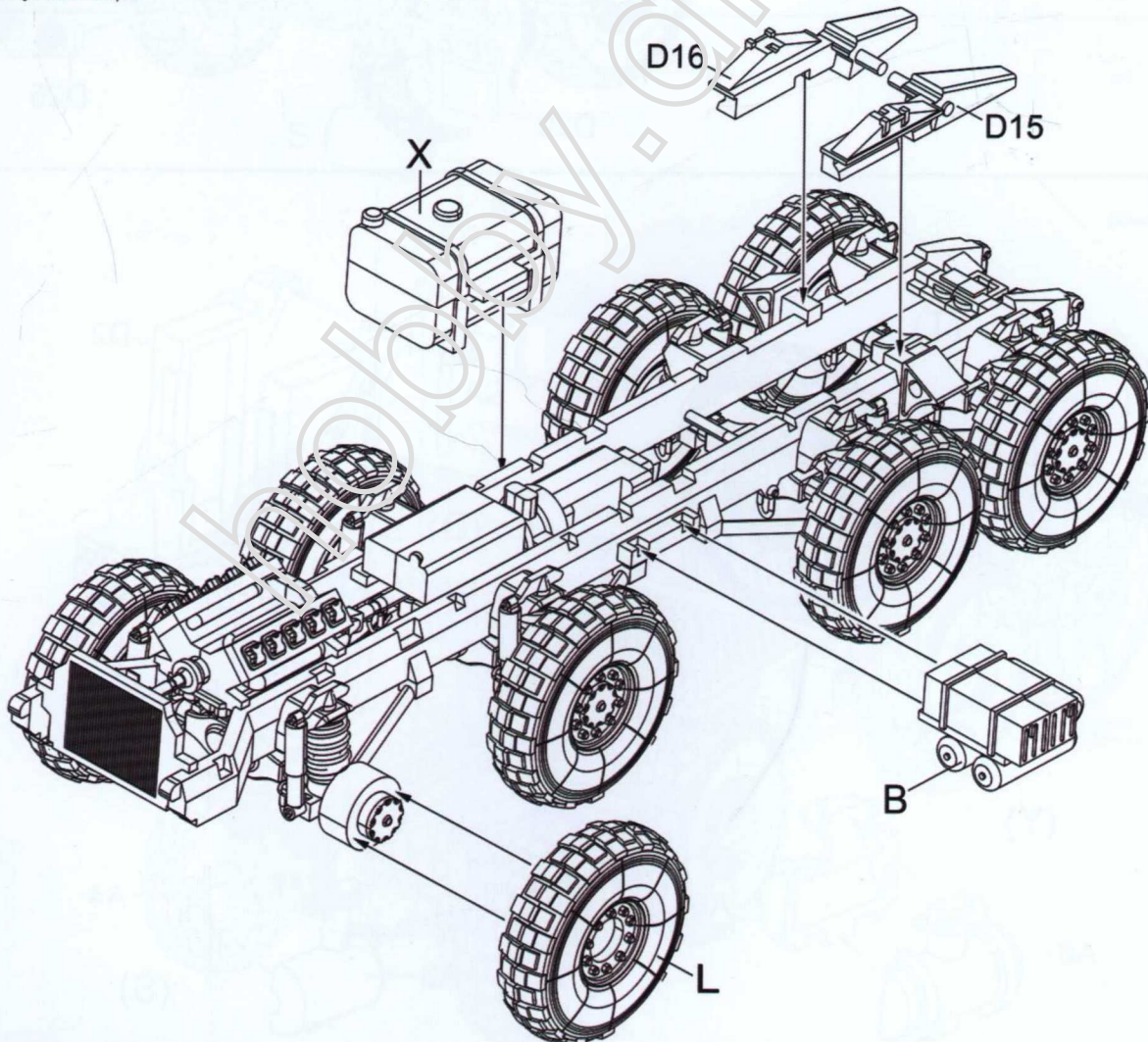
5

车体大梁附件组装  
車體大梁附件組裝  
Attaching crossbeam detail part



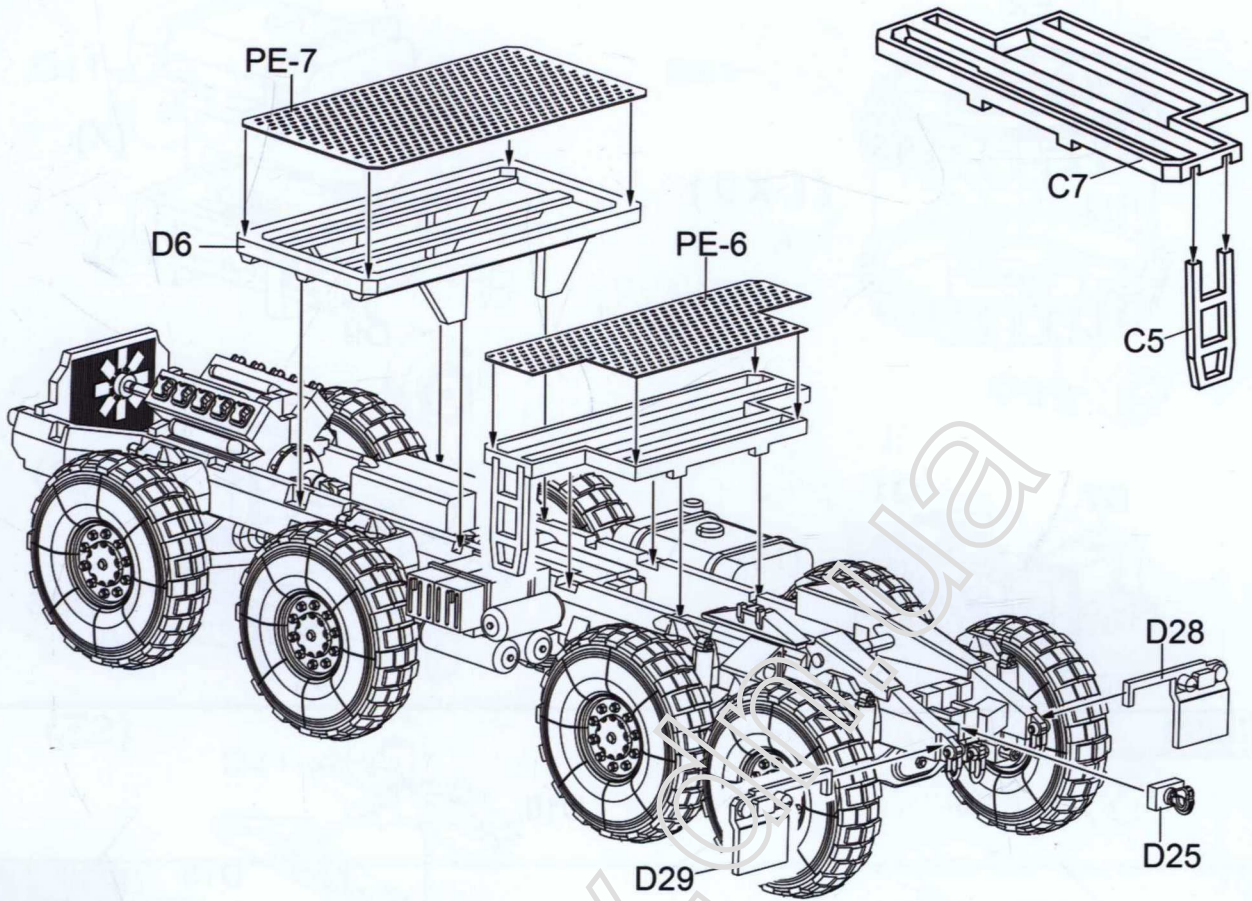
6

车体大梁附件组装  
車體大梁附件組裝  
Attaching crossbeam detail part



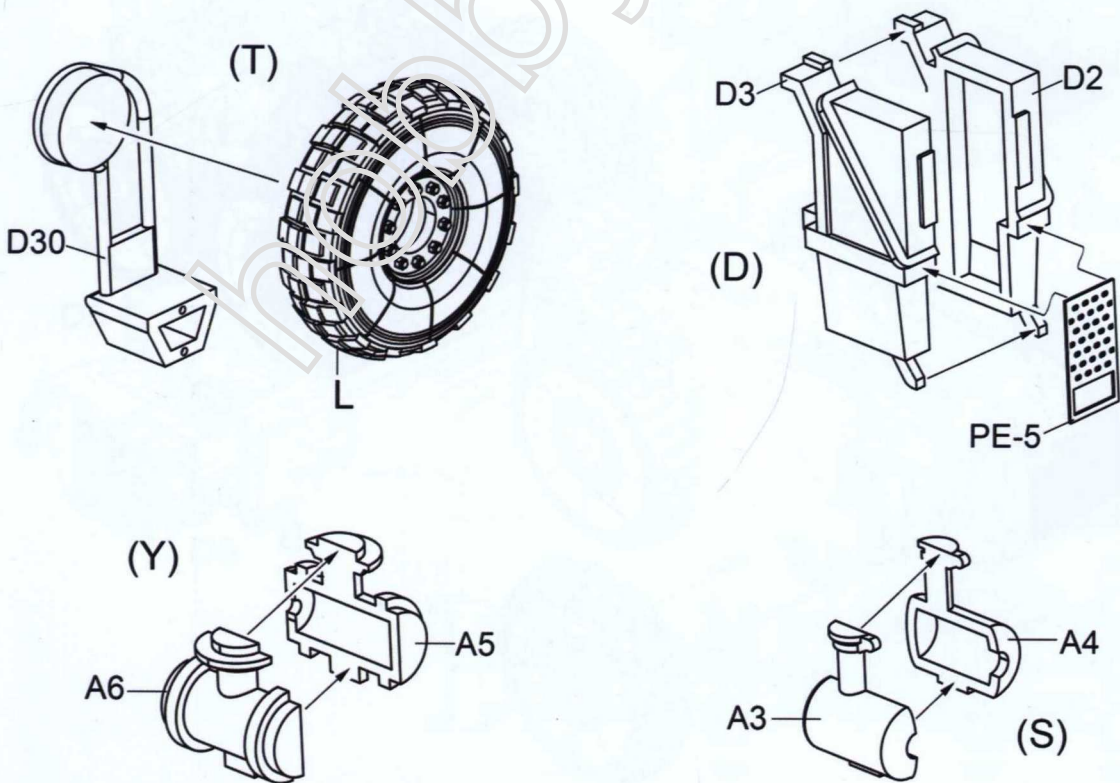
7

车体组装  
車體組裝  
Car body assembly



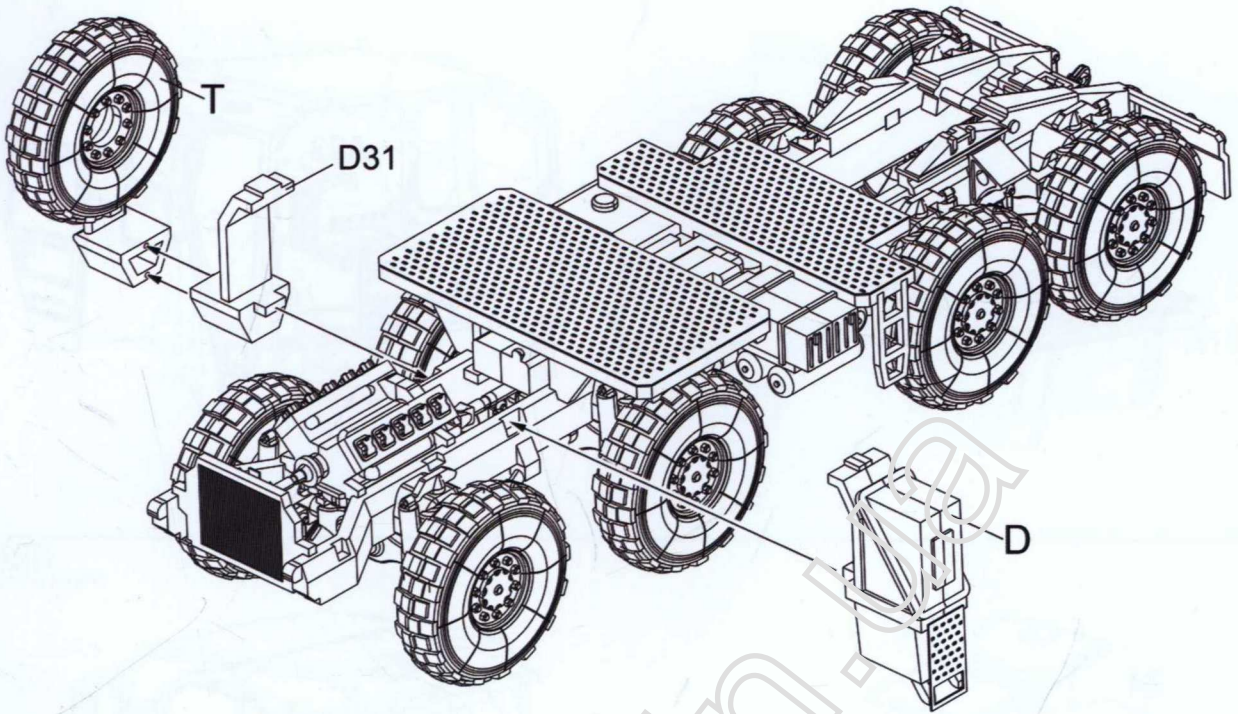
8

配件组装  
配件組裝  
Chassis Assembly



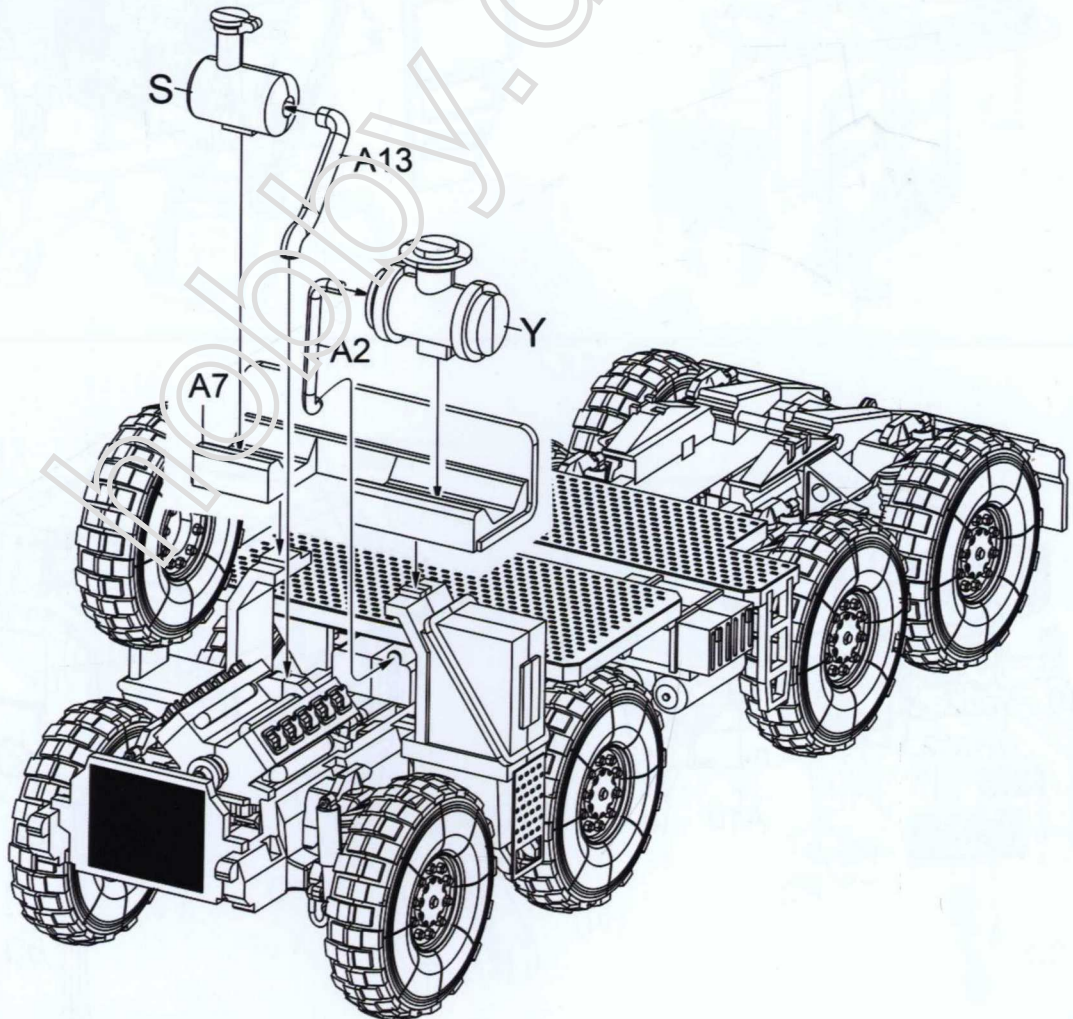
9

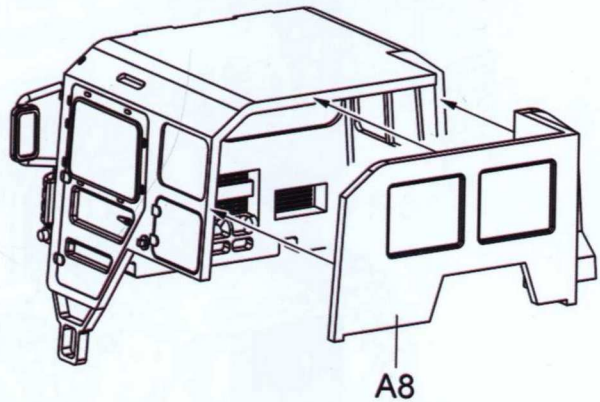
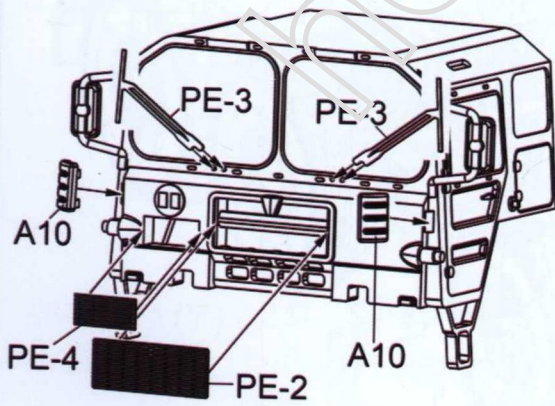
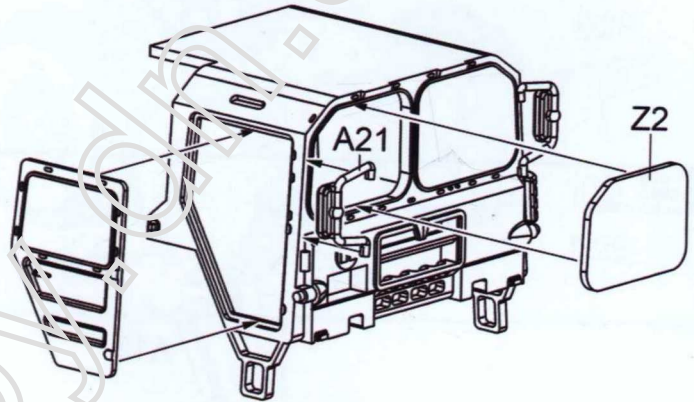
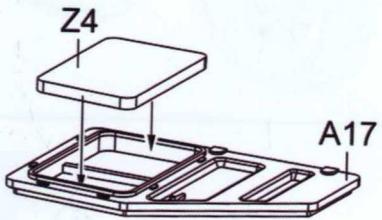
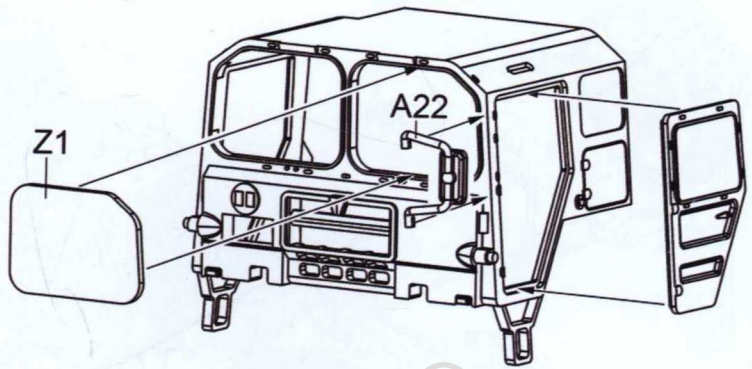
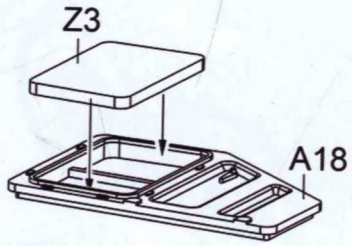
车体组装  
車體組裝  
Car body assembly



10

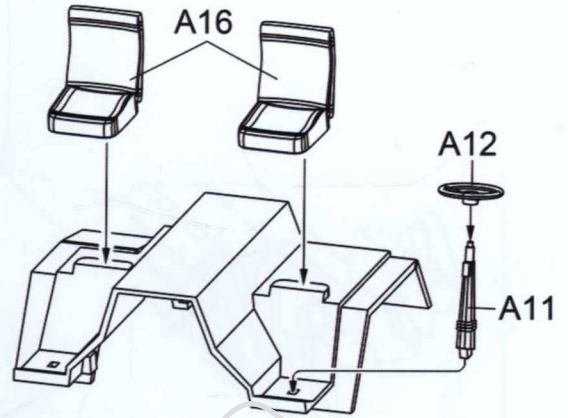
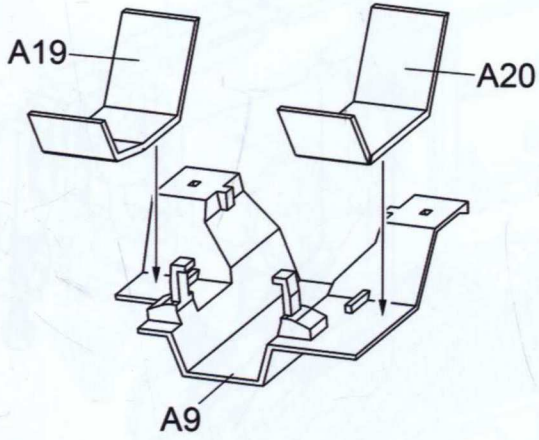
车体组装  
車體組裝  
Car body assembly





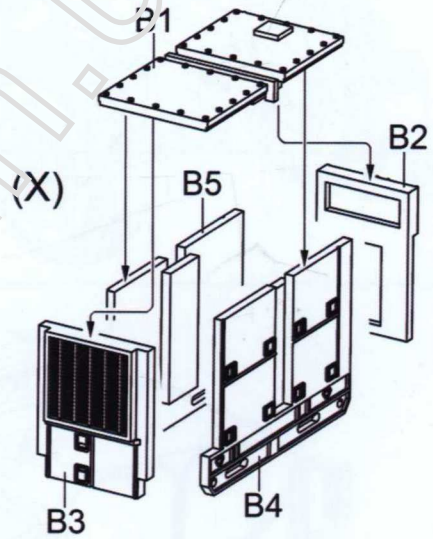
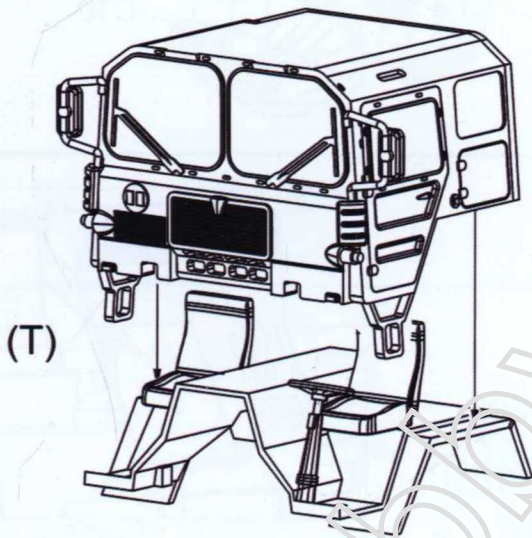
12

驾驶室组装  
駕駛室組裝  
Attaching drive cabin



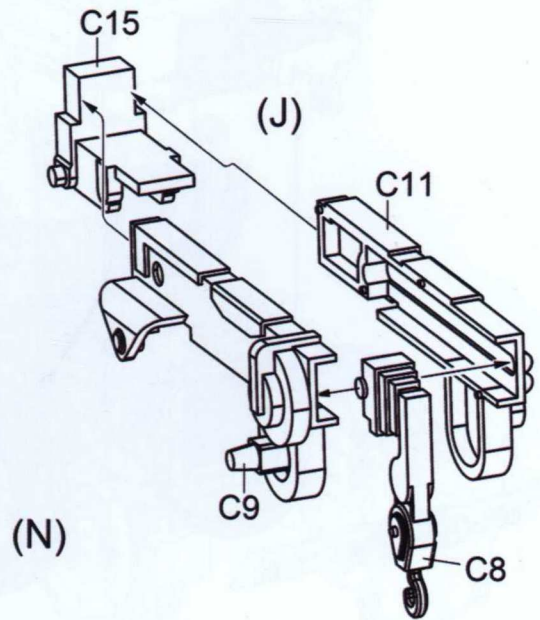
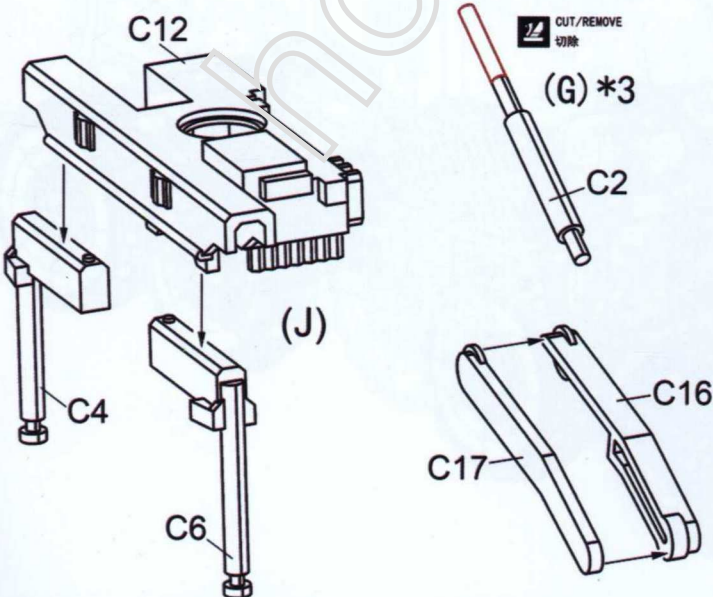
13

驾驶室组装  
駕駛室組裝  
Attaching drive cabin



14

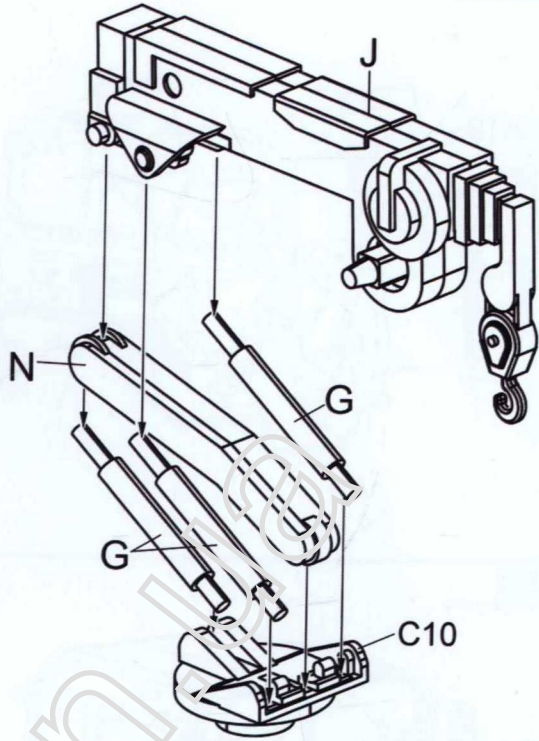
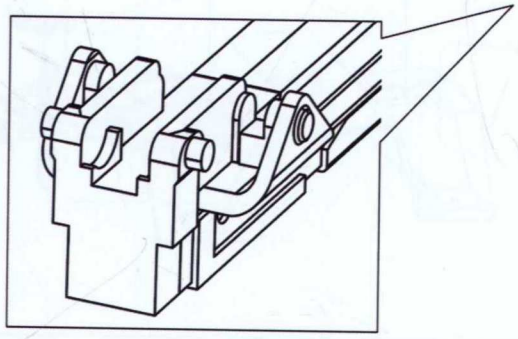
吊臂安装  
吊臂安裝  
Attaching crane





15

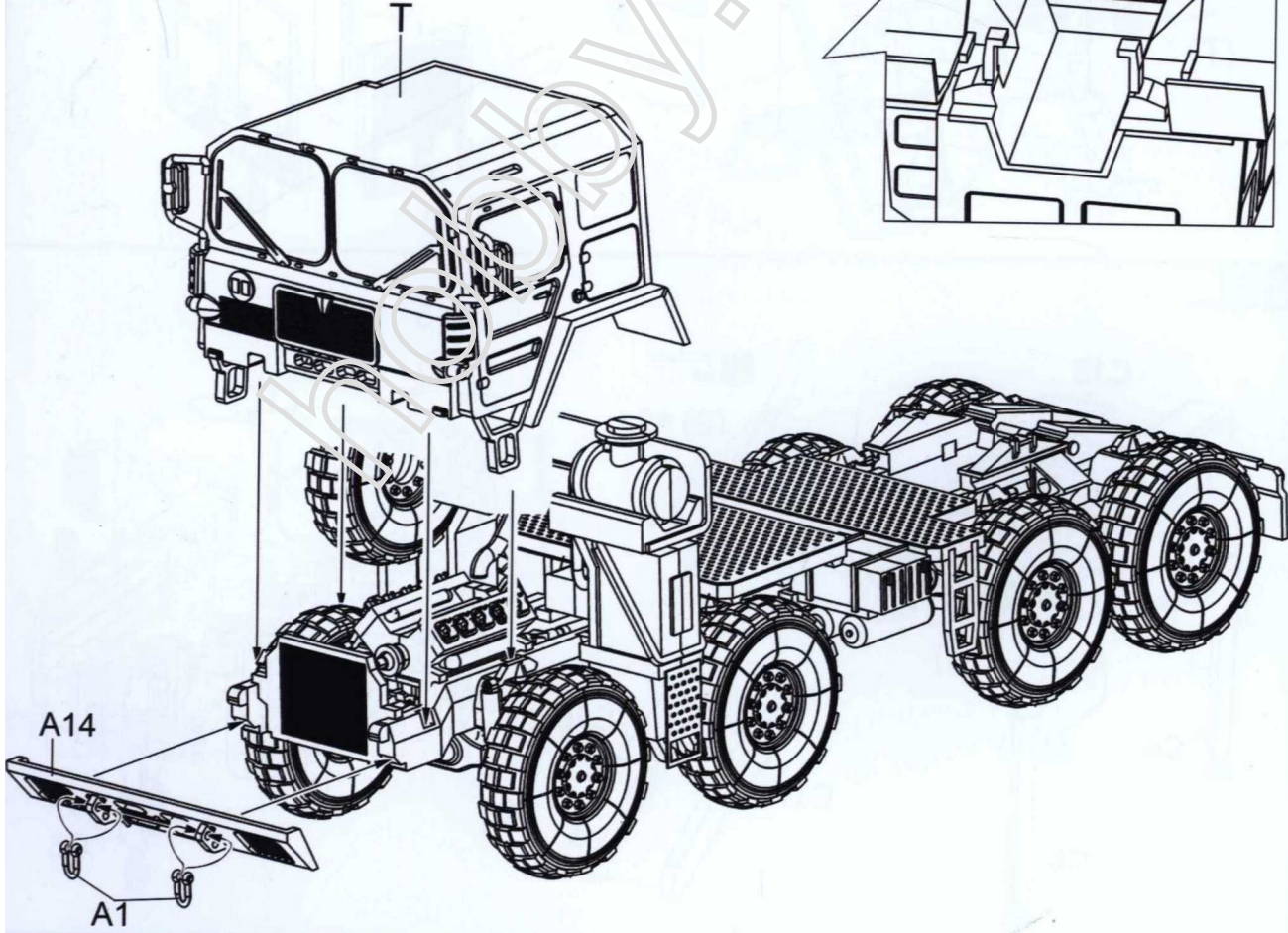
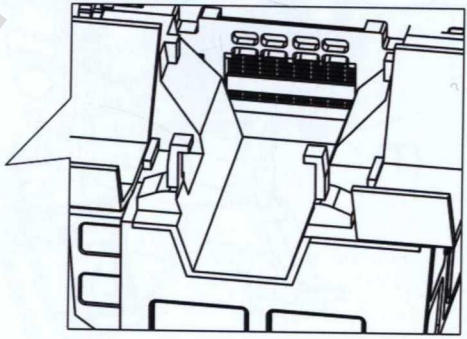
吊臂安裝  
吊臂安裝  
Attaching crane



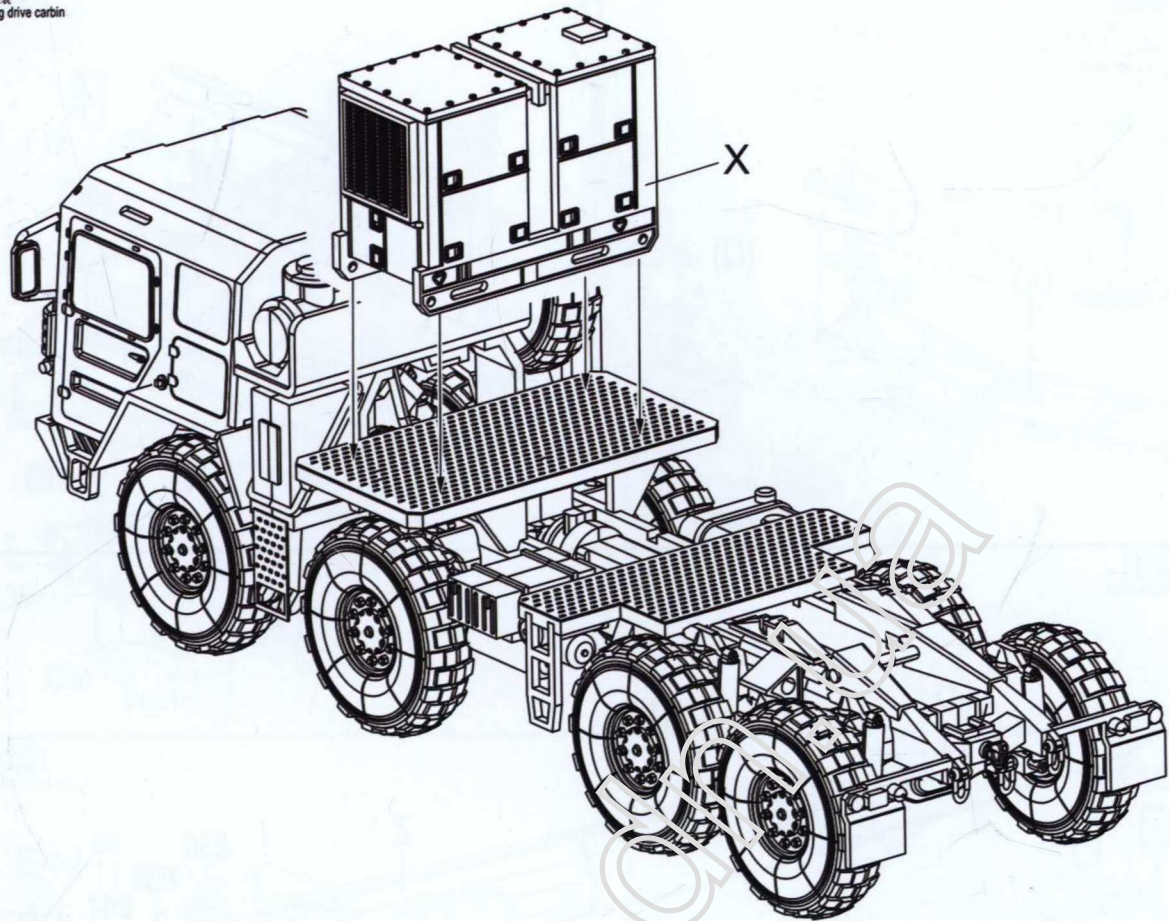
(S)

16

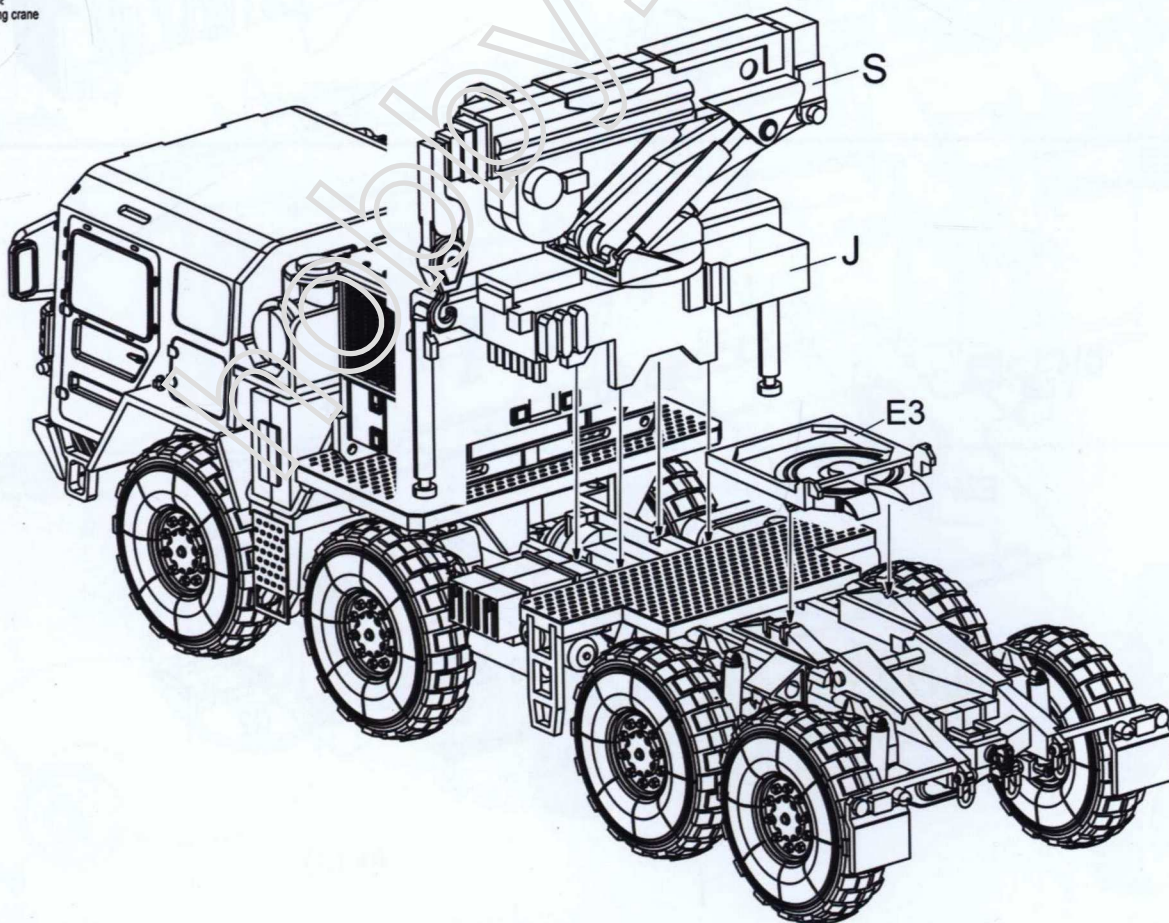
駕駛室組裝  
駕駛室組裝  
Attaching drive cabin



17 驾驶室安装  
駕駛室安裝  
Attaching drive cabin

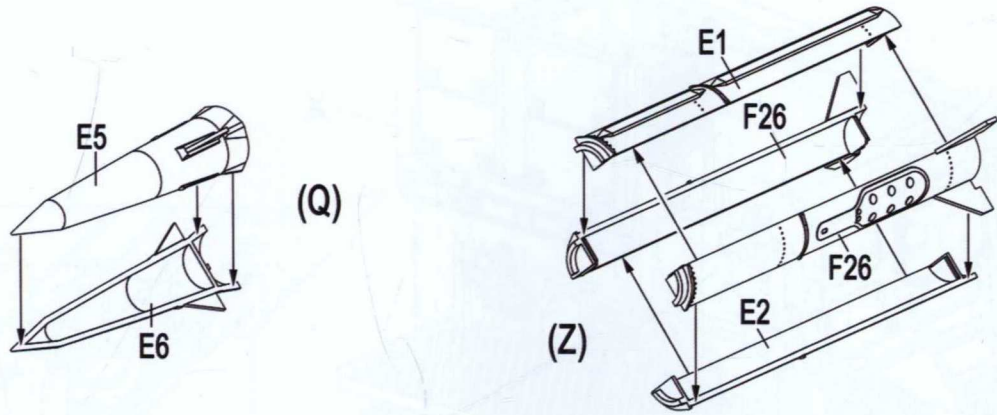


18 吊臂安装  
吊臂安裝  
Attaching crane



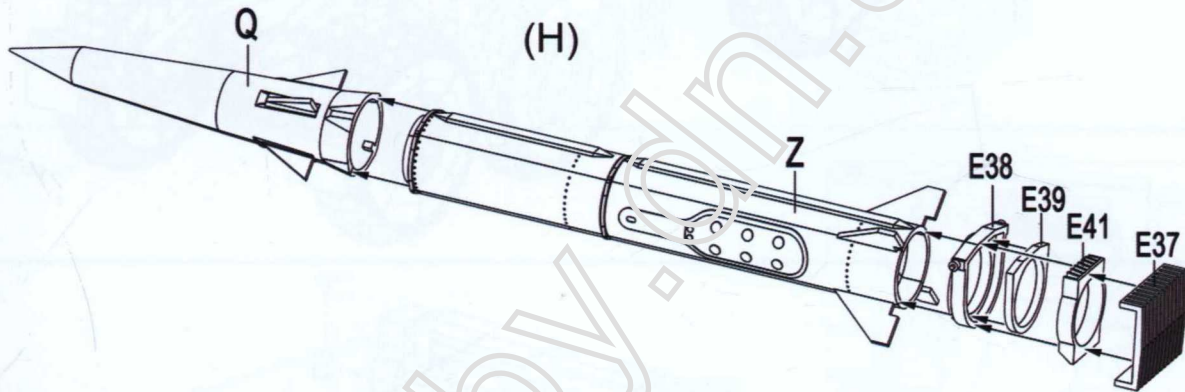
19

导弹弹体组装 1  
导弹弹体组装 1  
Attaching Missile 1



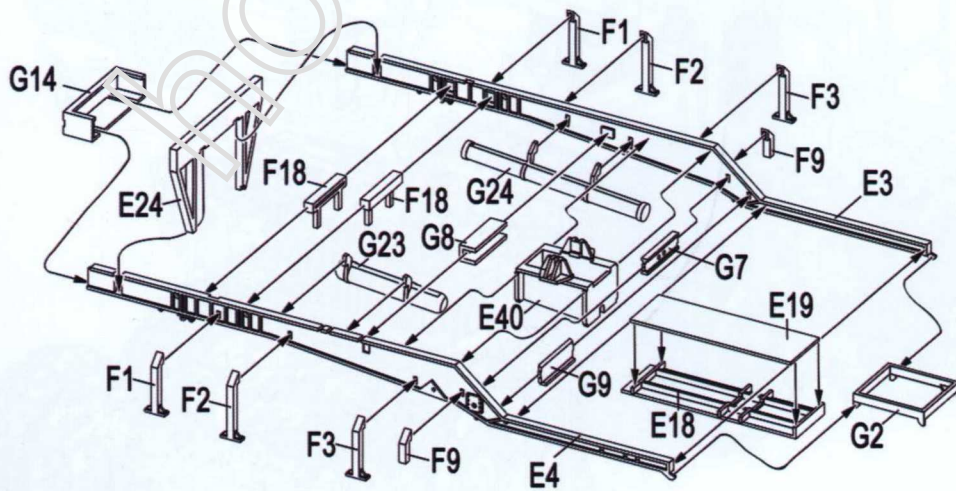
20

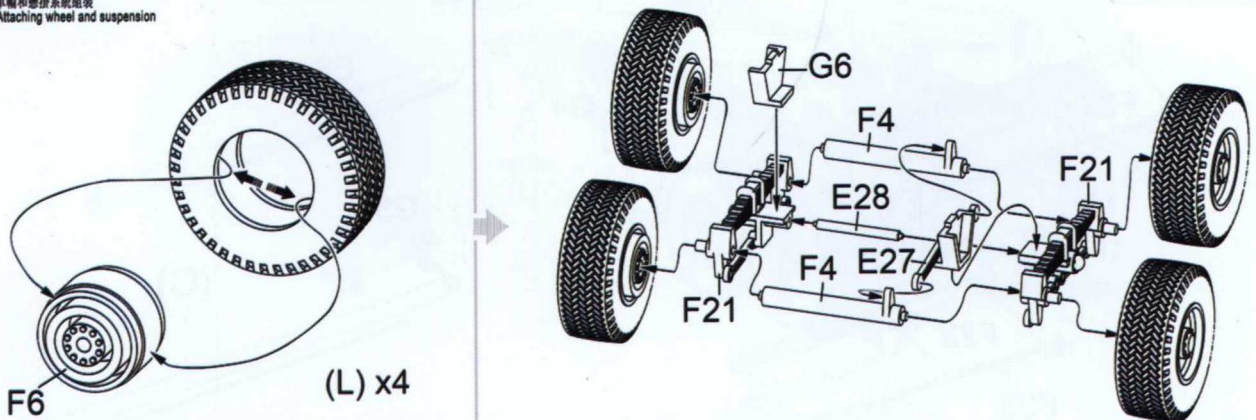
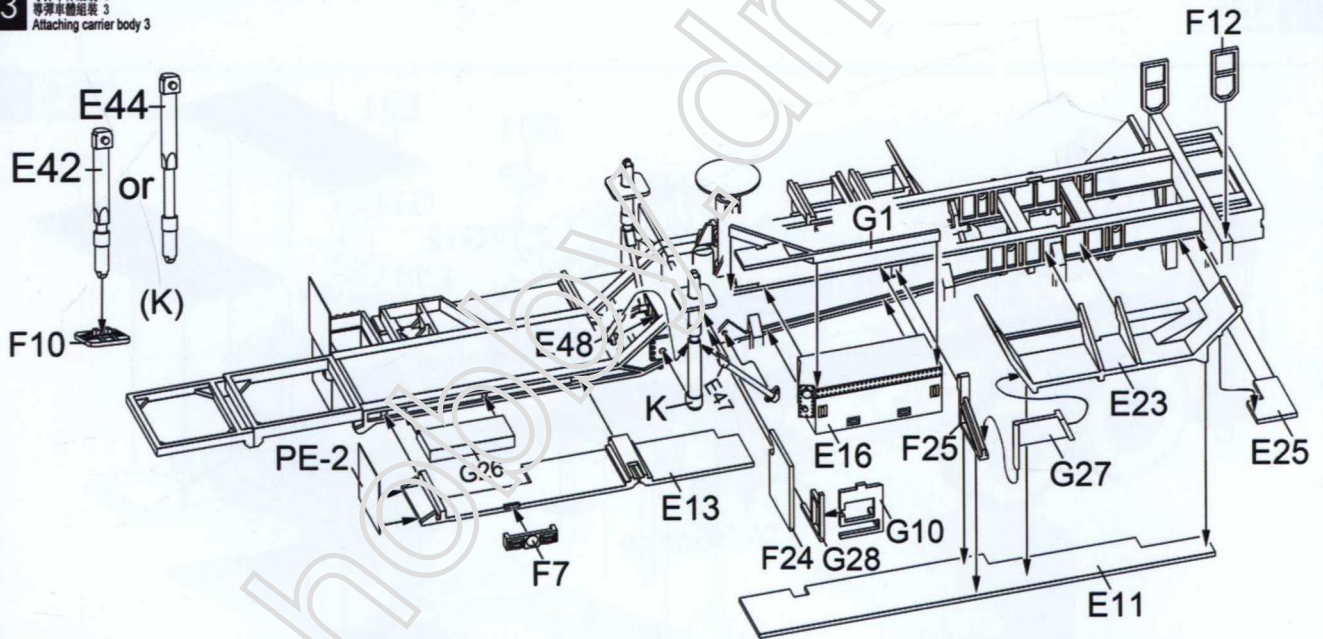
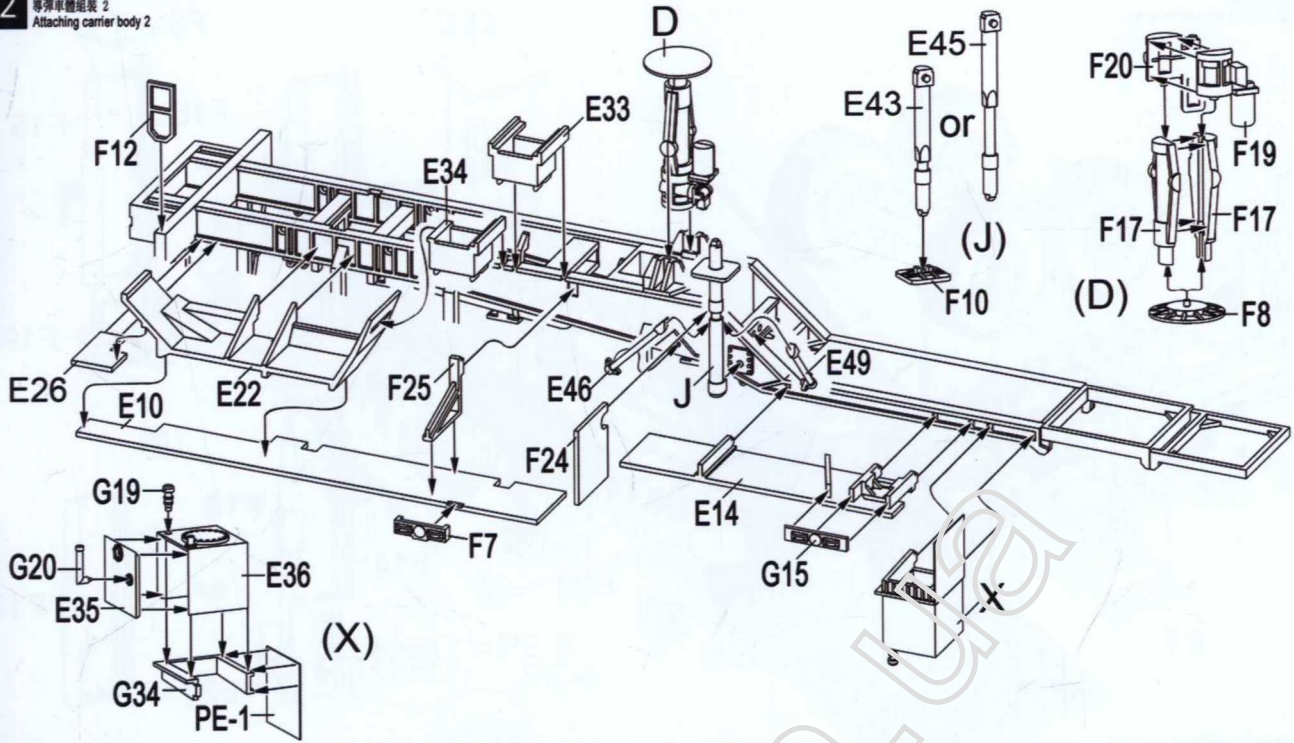
导弹弹体组装 2  
导弹弹体组装 2  
Attaching Missile 2



21

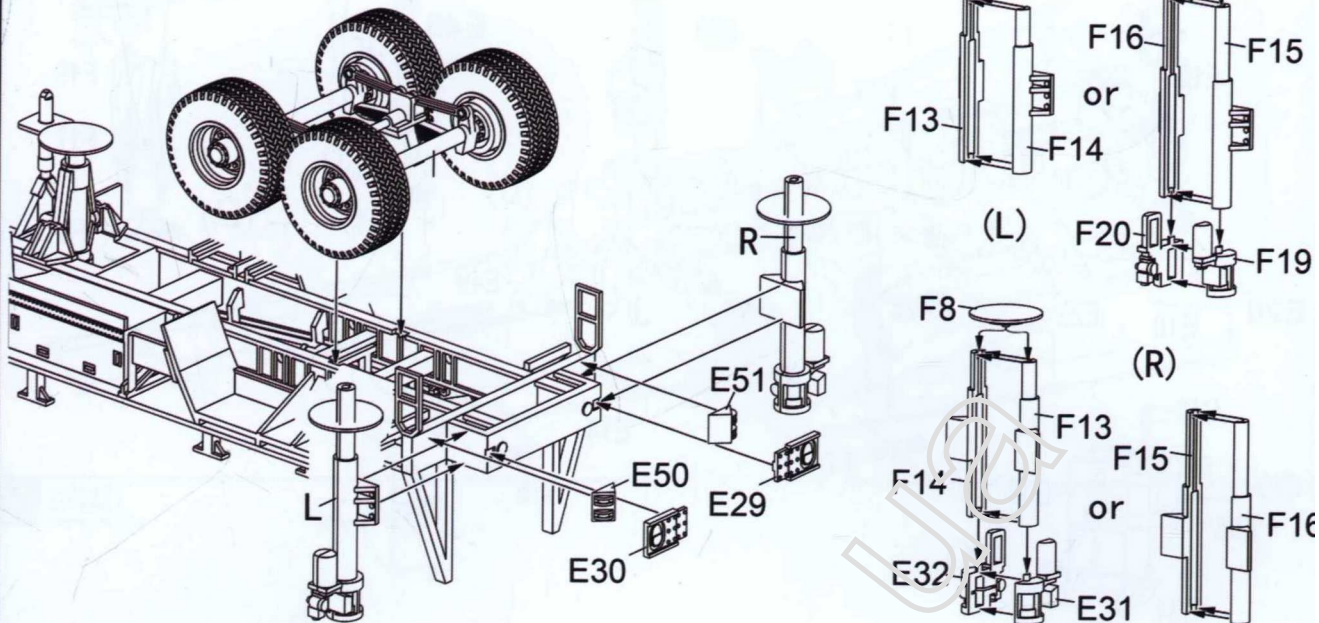
导弹车体组装 1  
导弹车体组装 1  
Attaching carrier body 1





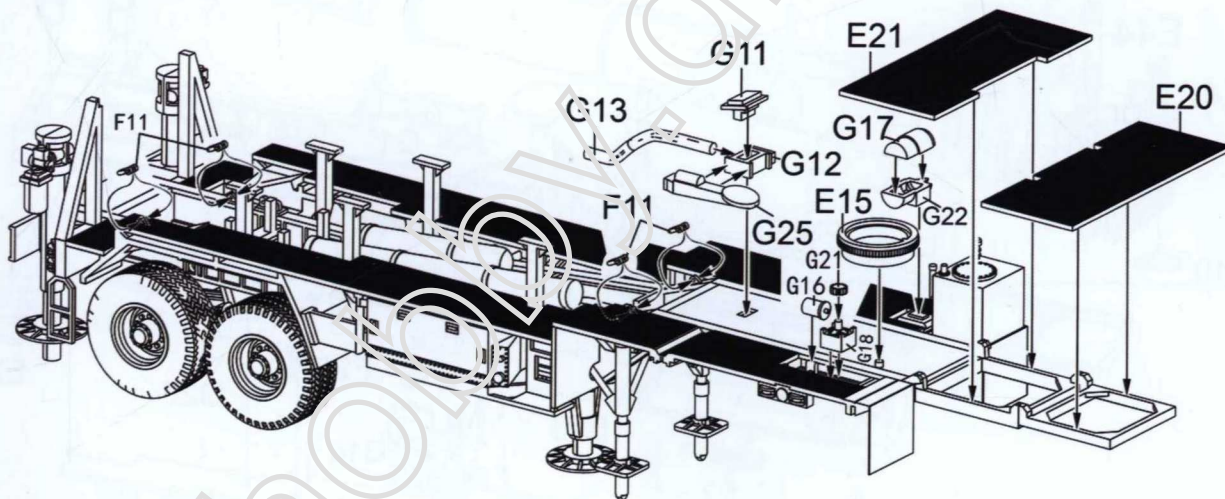
25

安装车轮  
安装車輪  
Attaching wheel to the carrier



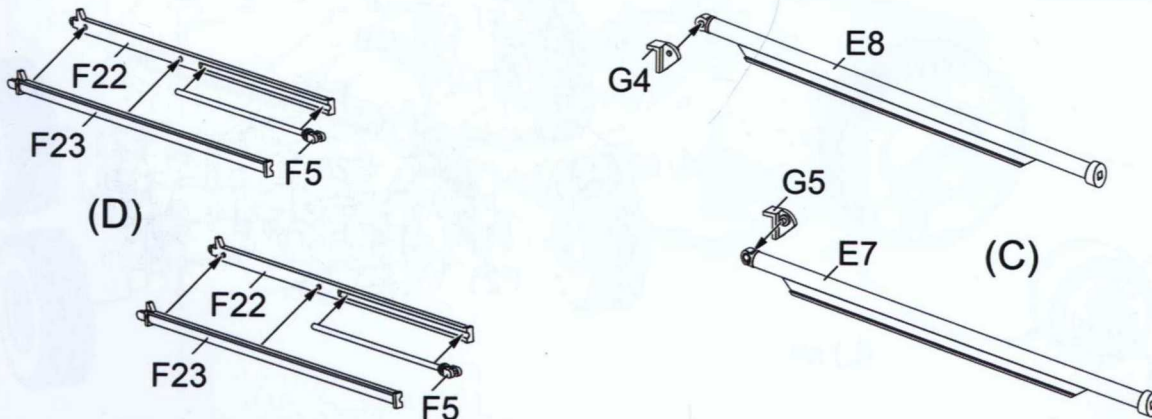
26

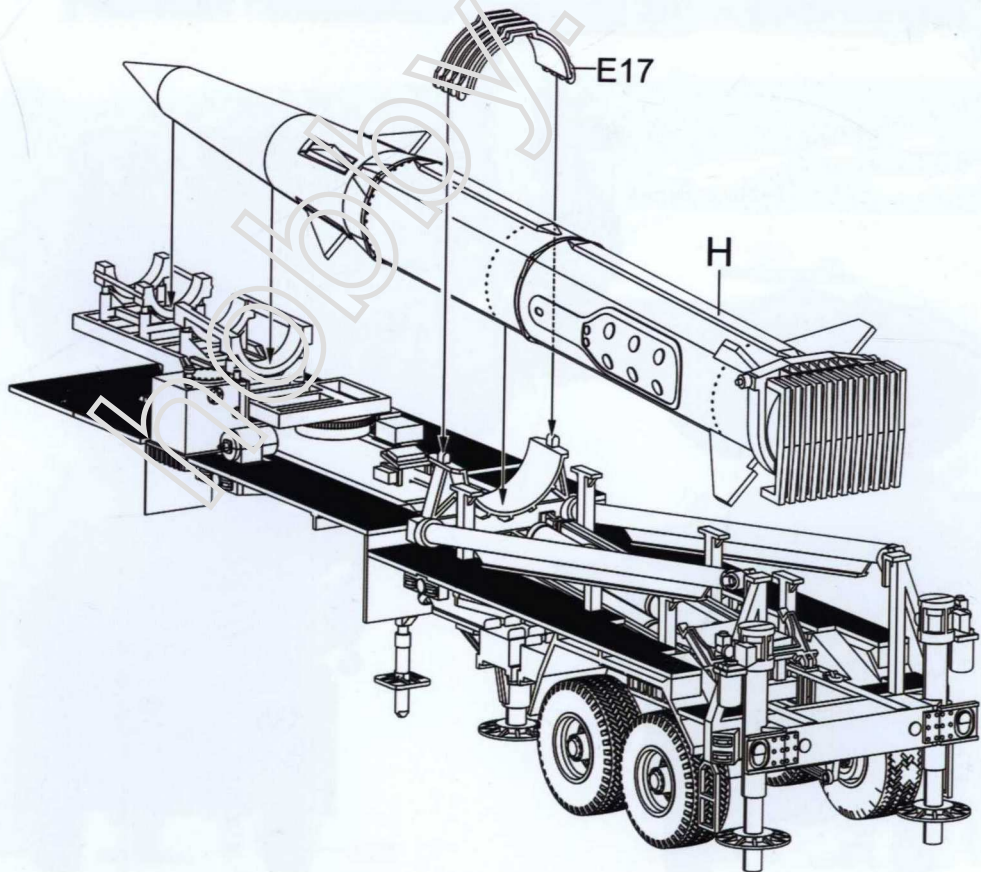
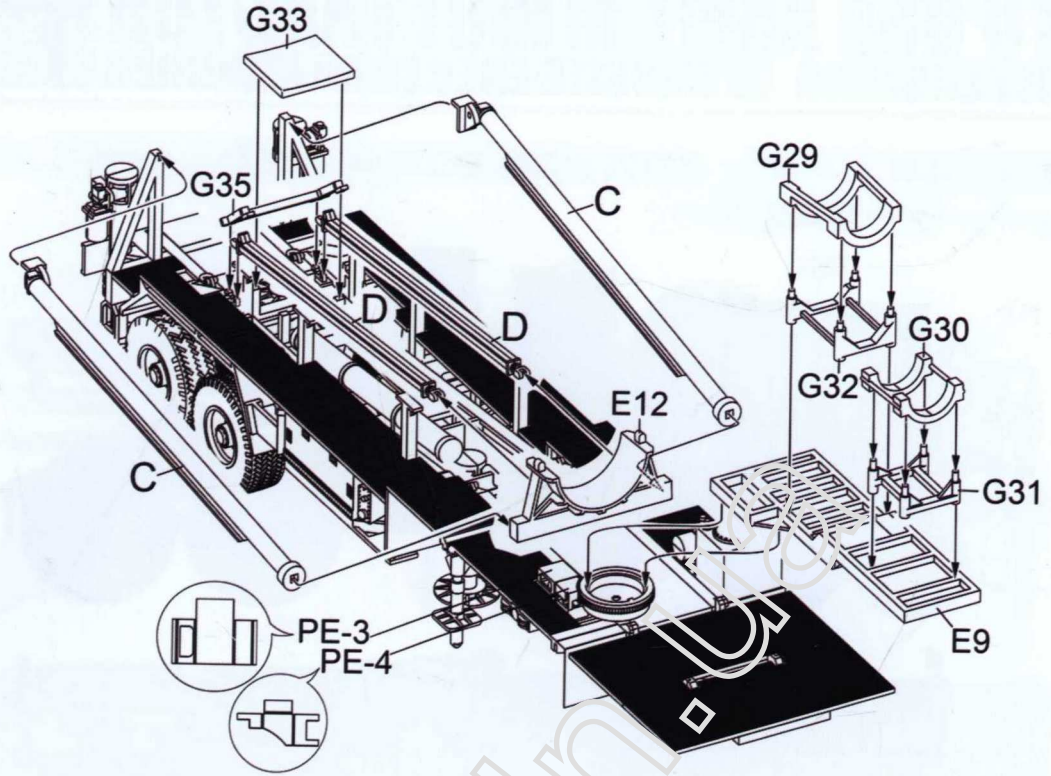
安装车体配件  
安装車體配件  
Attaching carrier



27

安装发射支柱  
安装發射支柱  
Attaching Launch pillar





# NATO USA ARMY M1001 TRACTOR WITH PERSHING II MISSILE ERECTOR LAUNCHER

modelcollect

A.MIG 033 Rubber & Tires

A.MIG 097 Crystal Orange

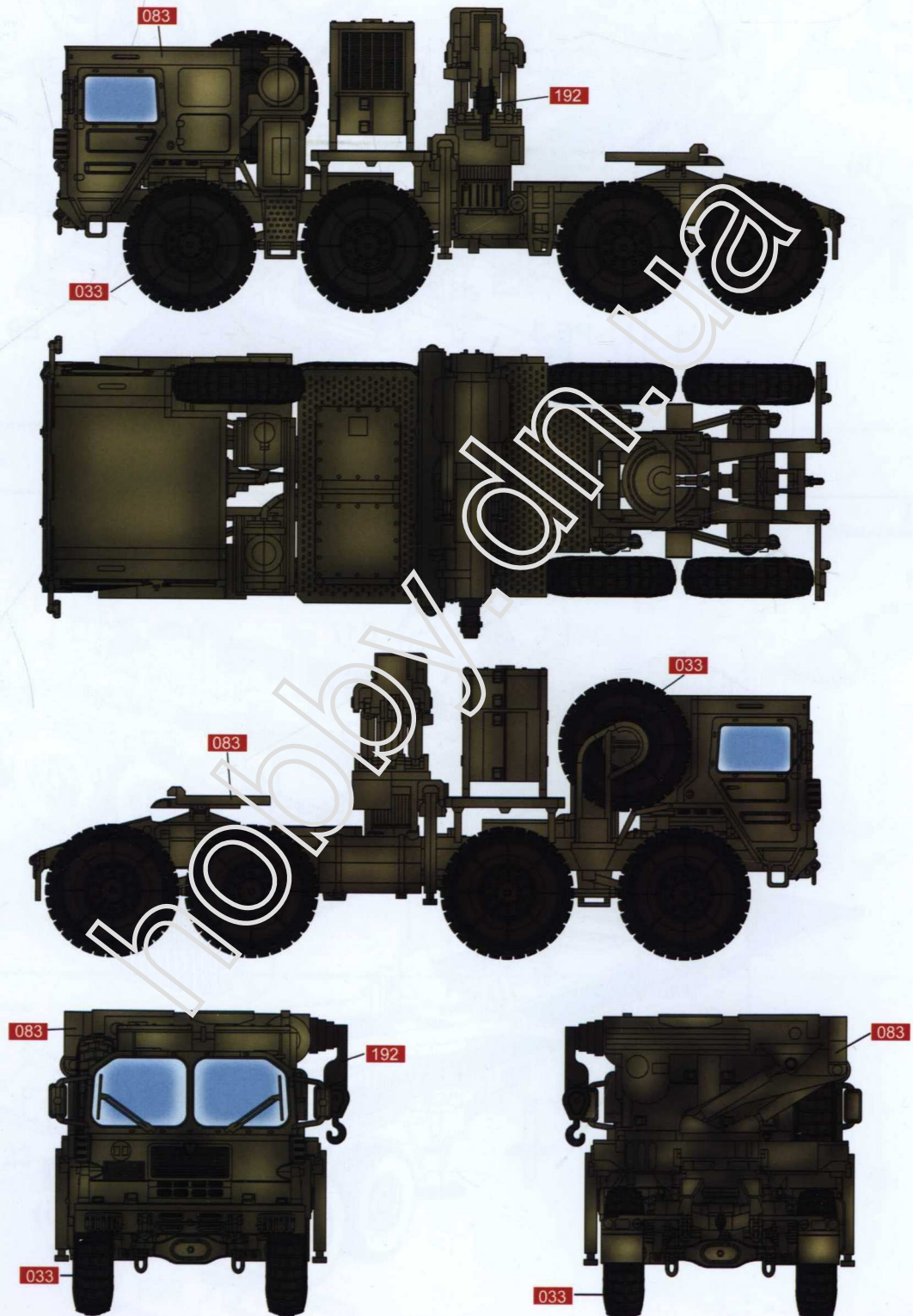
A.MIG 083 ZASHCHITNIY  
ZELENO

A.MIG 057 Yellow Grey

A.MIG 047 Satin White

A.MIG 0191 Steel

A.MIG 187 JET EXHAUST BURNT IRON  
A.MIG 192 POLISHED METAL



MODELCOLLECT

Color info and profiles by



# USA PERSHING II MISSILE ERECTOR LAUNCHER

modelcollect

A.MIG 033 Rubber & Tires

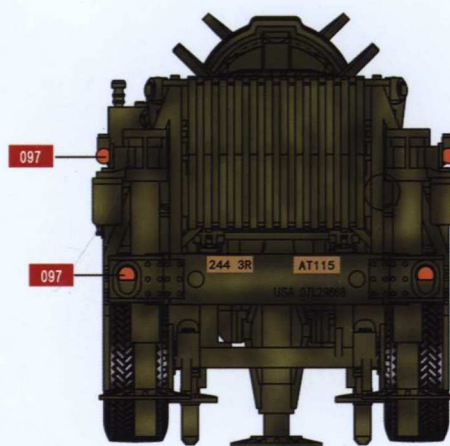
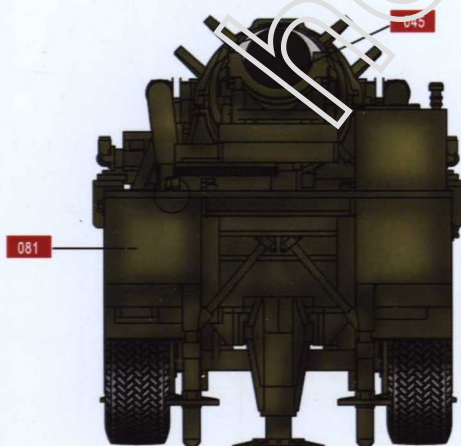
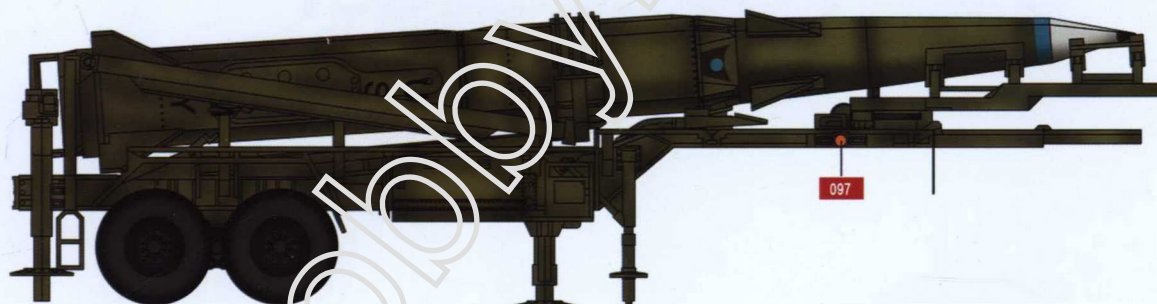
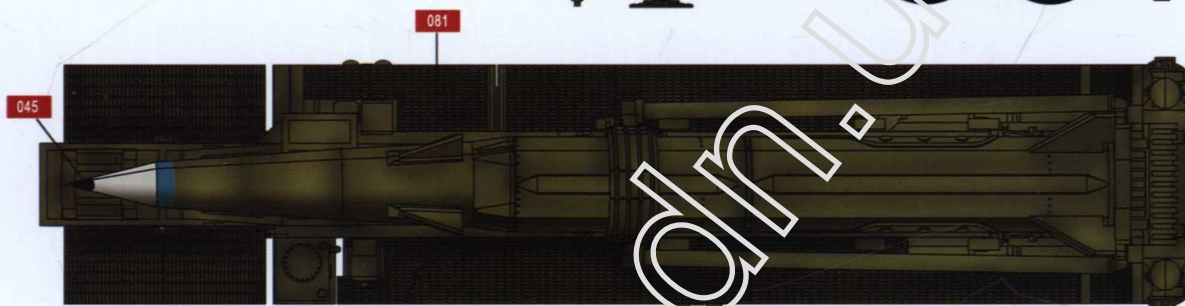
A.MIG 097 Crystal Orange

A.MIG 081 Olive Drab

A.MIG 045 Gun Metal

A.MIG 047 Satin White

A.MIG 033 Matt Black



MODELCOLLECT

Color info and profiles by

