

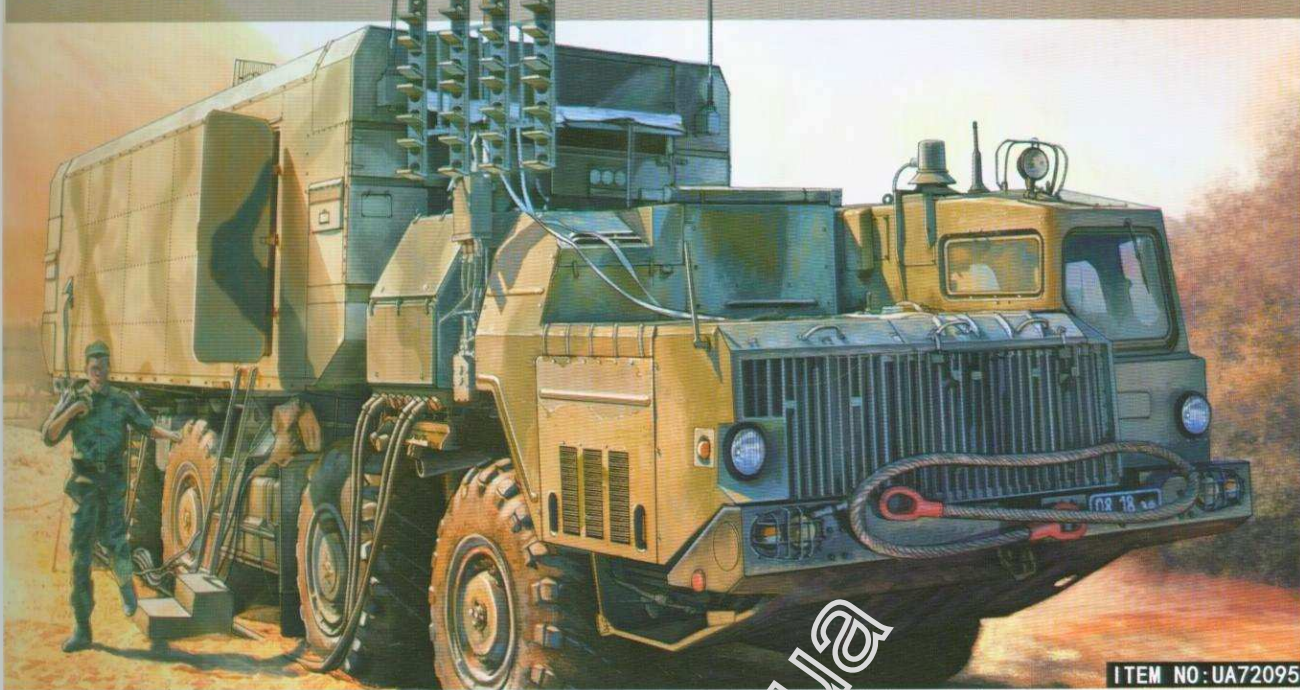
RUSSIAN 54K6E "BAIKAL" AIR DEFENCE COMMAND POST



UA72095
1:72
SCALE

modelcollect 搜模閣

RUSSIAN 54K6E "BAIKAL" AIR DEFENCE COMMAND POST



ITEM NO: UA72095

The S-300 is regarded as one of the most potent anti-aircraft missile systems currently fielded. Its radars have the ability to simultaneously track up to 100 targets while engaging up to 12/24/36. S-300 deployment time is five minutes. The S-300 missiles are sealed rounds and require no maintenance over their lifetime. An evolved version of the S-300 system is the S-400 (NATO reporting name SA-21 Growler), entering limited service in 2004.

The S-300PS/S-300PM (Russian C-300ПC/C-300ПM, NATO reporting name SA-10d/e) was introduced in 1985 and is the only version thought to have been fitted with a nuclear warhead. This model saw the introduction of the modern TEL and mobile radar and command-post vehicles that were all based on the MAZ-7910 8 x 8 truck. This model also featured the new 5V55R missiles which increased maximum engagement range to 90 km (56 mi) and introduced a terminal semi-active radar homing (SARH) guidance mode. The surveillance radar of these systems was designated 30N6. Also introduced with this version was the distinction between self-propelled and towed TELs. The towed TEL is designated 5P85T. Mobile TELs were the 5P85S and 5P85D (the 5P85D was a "slave" TEL, being controlled by a 5P85S "master" TEL. The "master" TEL is identifiable thanks to the large equipment container behind the cabin; in the "slave" TEL this area is not enclosed and is used for cable or spare tyre storage.

The next modernisation, called the S-300PMU (Russian C-300ПМУ, US DoD designation SA-10f) was introduced in 1992 for the export market and featured the upgraded 5V55U missile which still utilised the intermediate SARH terminal guidance method and smaller warhead of the 5V55R but increased the engagement envelope to give this missile roughly the same range and altitude capabilities as the newer 48N6 missile (max. range 150 km/93 mi). The radars were also upgraded, with the surveillance radar for the S-300PMU being designated 64N6 (BIG BIRD) and the illumination and guidance radar being designated 30N6-1 in the GRAU index. S-300P Total produced: 3000 launchers, 28,000 missiles for the S-300P.

The 54K6 family of mobile battery command posts first appeared during the 1980s as part of the high mobility S-300PS / SA-10B Grumble B SAM system. The design combined a command post cabin with a MAZ-7910 chassis, and included a telescoping mast for the radio datalink which networked all of the battery elements. The design progressively evolved as the S-300P family of missiles evolved. The final variants of this system provided significant integration capabilities, with the ability to network the battery 30N6E2 engagement radars, and some legacy SAM engagement radars. The 83M6E2 designation is reserved for a paired 64N6E2 Big Bird acquisition radar and a 54K6E2 command post. A typical operational architecture will see the 54K6E2 networked with a Polyana TsM sector command post, to provide bidirectional transfer of target data.

●READ BEFORE ASSEMBLY

1. When you use glue or paint, do not near flame, and use in a well-ventiated room.
2. Take extra care in handling photo etch parts in order to avoid injury
3. When you take parts off the runner frame, use modeling scissors and trim excess plastic with a cutter or a file.
4. Glue and paint are not included.
5. This product is only suitable for experienced more than 14 years old.

●装配之前仔细阅读:

1. 勿於近火处使用胶水或油漆, 并 打开窗户保持空气流通。
2. 取蚀刻片时应特别注意安全, 防止利边划伤手指。
3. 从胶架中取出部件时, 应用模型专用剪, 并用界刀或小锉除去多余的胶料。
4. 请使用塑料胶水和油漆, 模型内不含。
5. 本产品不适合14岁以下没有经验的模型爱好者。

SUPERGLUE 强力胶	WEIGHT 配重	MAKE HOLE 钻孔	CUT/REMOVE 切除	BEND 弯曲	FILE/SAND 锉平	? OPTION 选择	NO CEMENT 不涂胶水	DECAL 贴纸
------------------	--------------	-----------------	------------------	------------	-----------------	----------------	-------------------	-------------

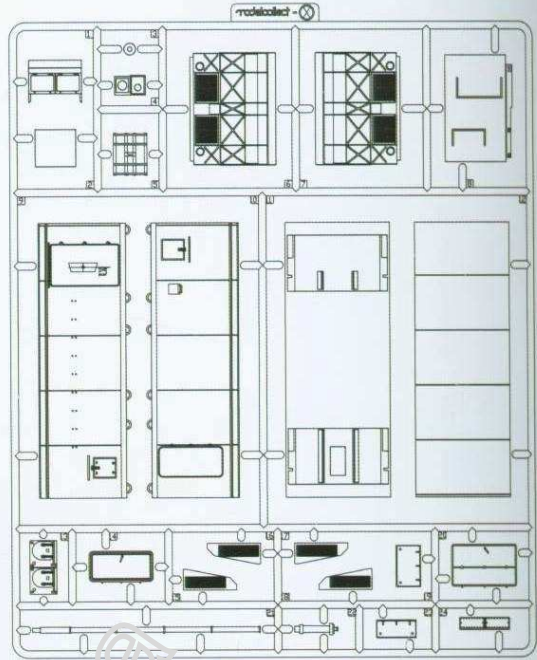
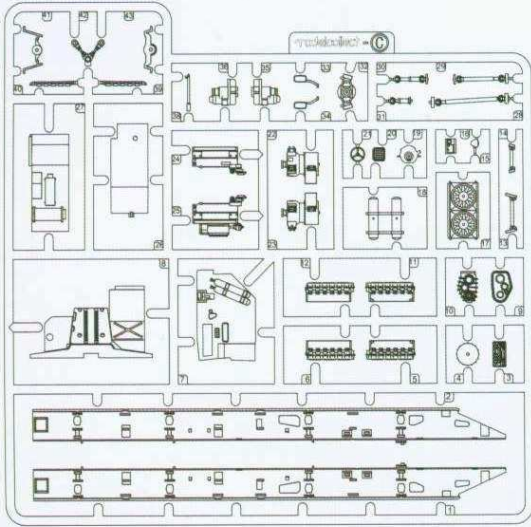
DECAL APPLICATION

1. Cut off decal from sheet.
2. Dip the decal in tepid water 40° C for about 10 sec. and place on a clean cloth.
3. Hold the backing sheet edge and slide decal onto the model.
4. Move decal into position by wetting decal with finger.
5. Press decal gently down with a soft cloth until excess water and air bubbles are gone.

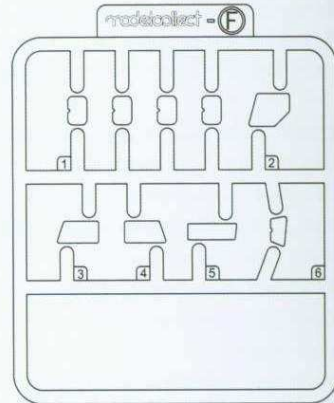
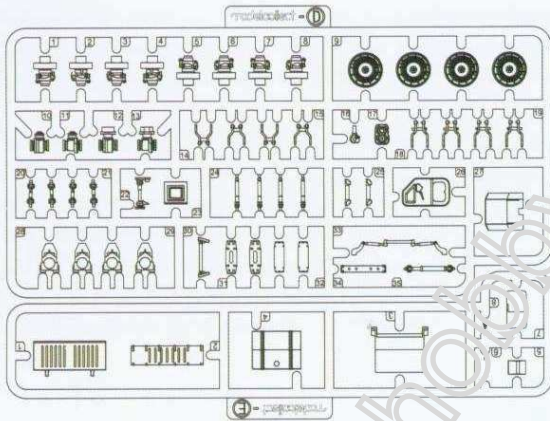
水贴纸的使用:

1. 从水贴纸上剪下印花。
2. 将印花放入温水中浸10秒, 然后放在干净布上。
3. 拿着印花纸板将印花移到模型上。
4. 手指蘸水将印花移到适当的位置。
5. 用软布轻压印花直至不干, 汽泡消失。

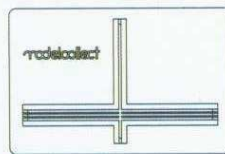
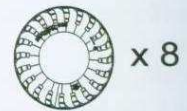
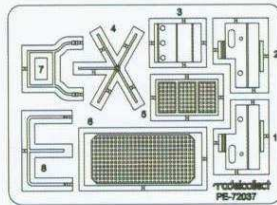
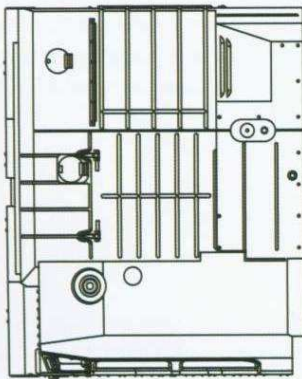
Parts



Dx2



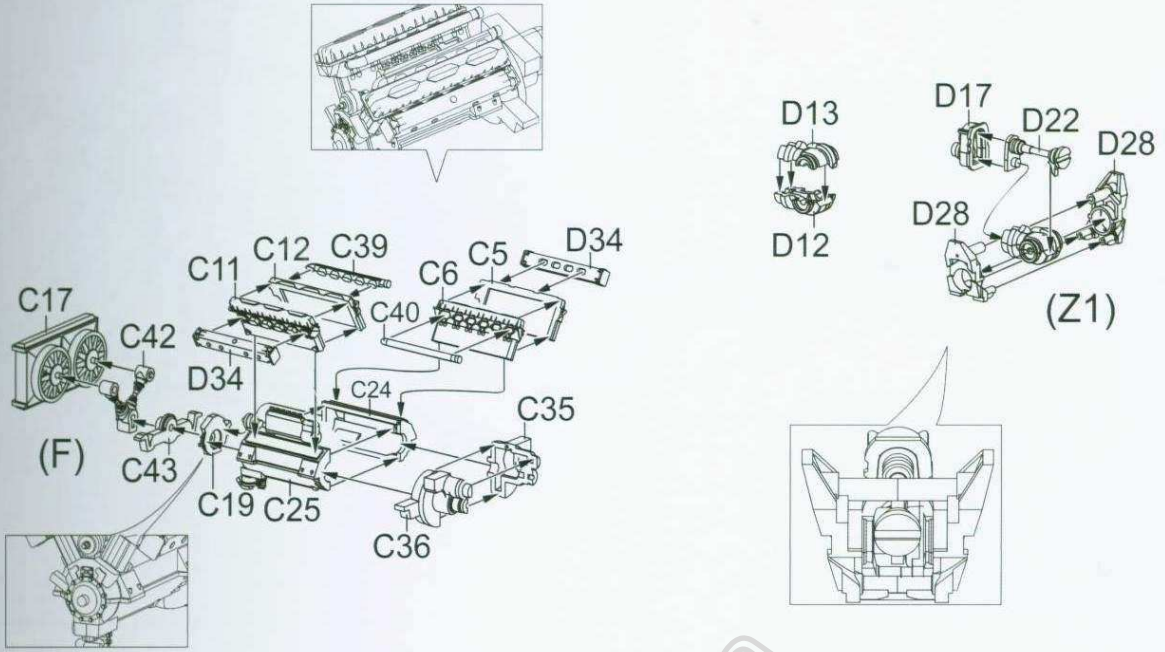
Ex2



Decal

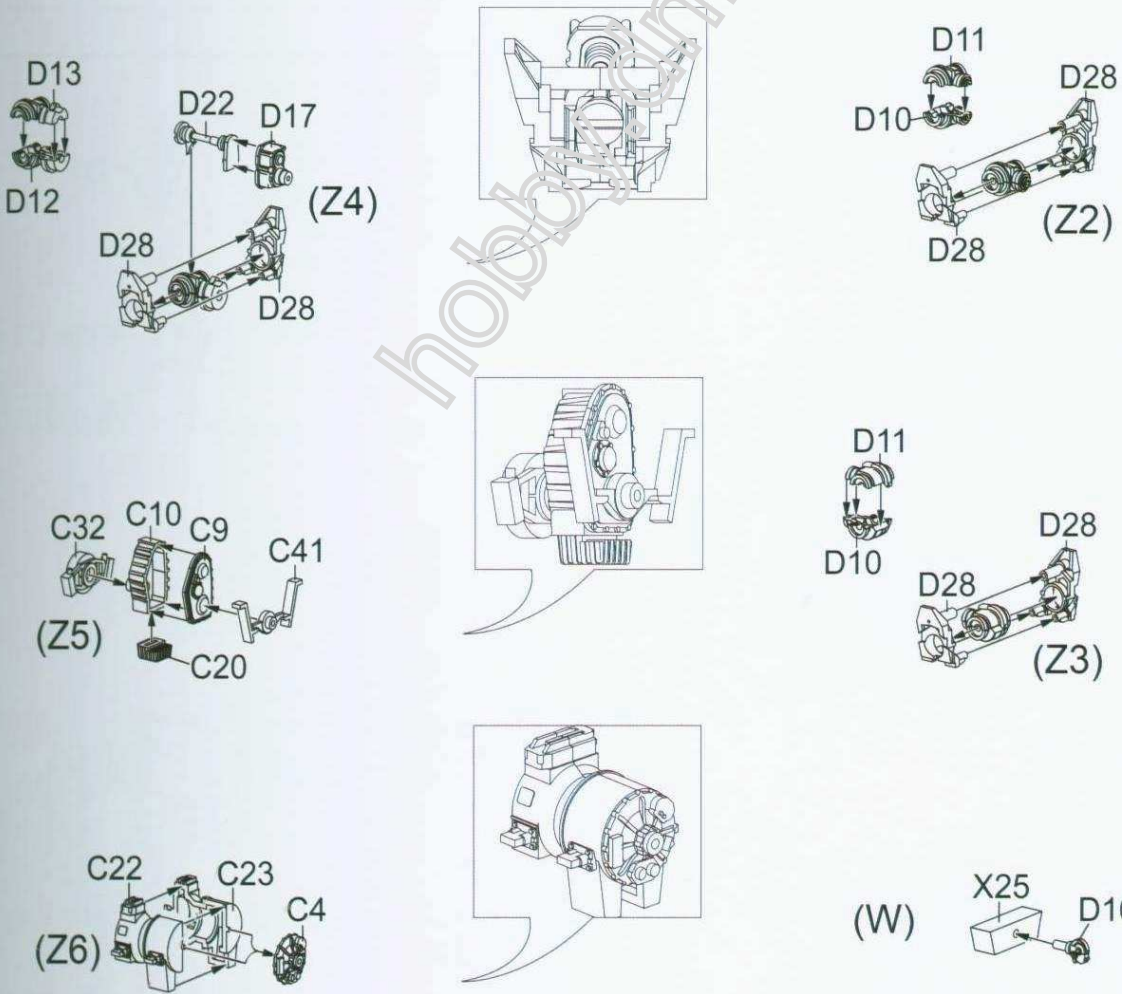
1

发动机及传动结构组装
引擎機及傳動結構組裝
Attaching engine part and transmission system



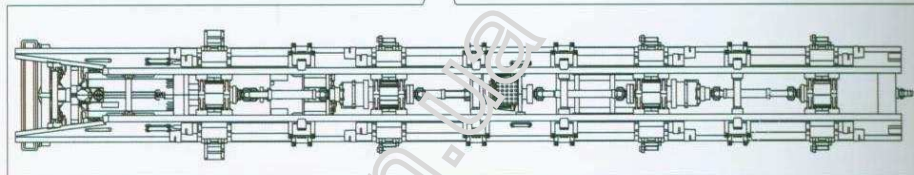
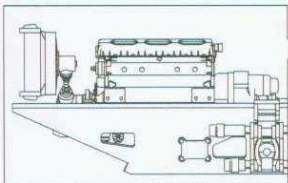
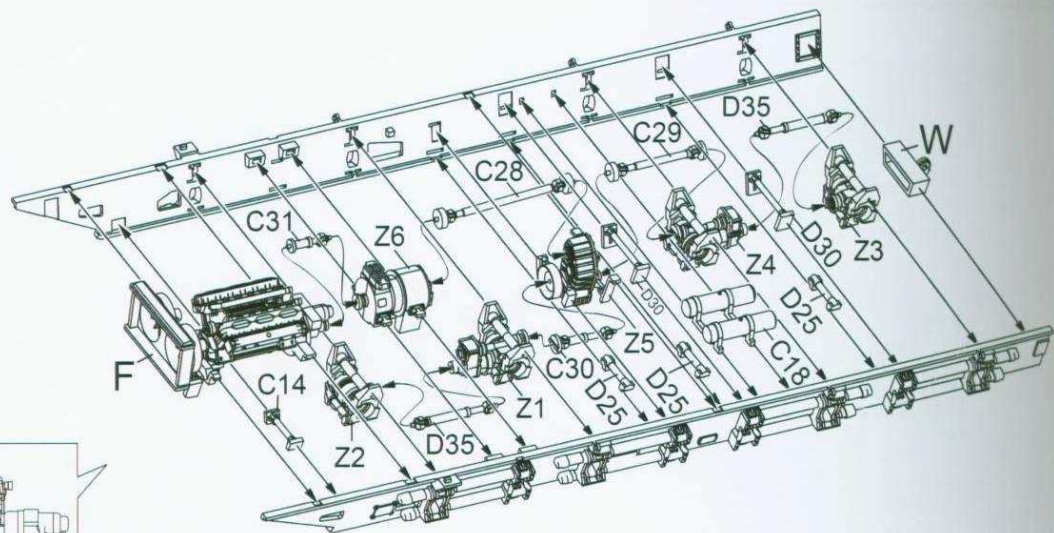
2

发动机及传动结构组装
引擎機及傳動結構組裝
Attaching engine part and transmission system



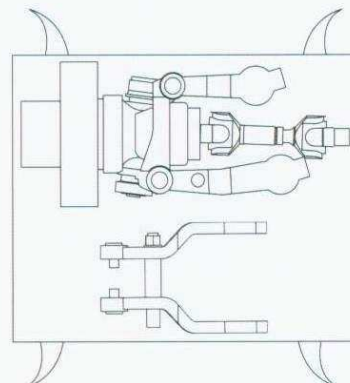
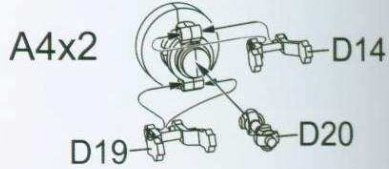
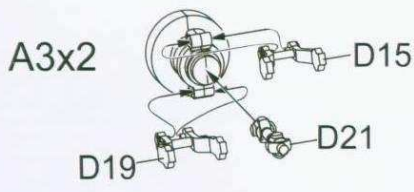
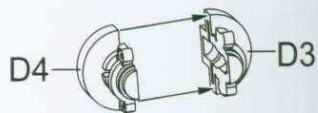
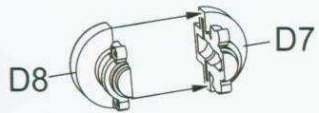
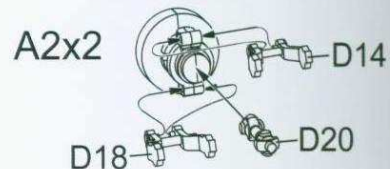
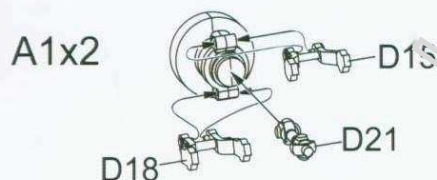
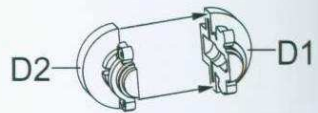
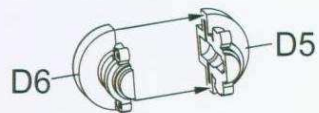
3

车体大梁附件组装
車體大梁附件組裝
Attaching crossbeam detail part



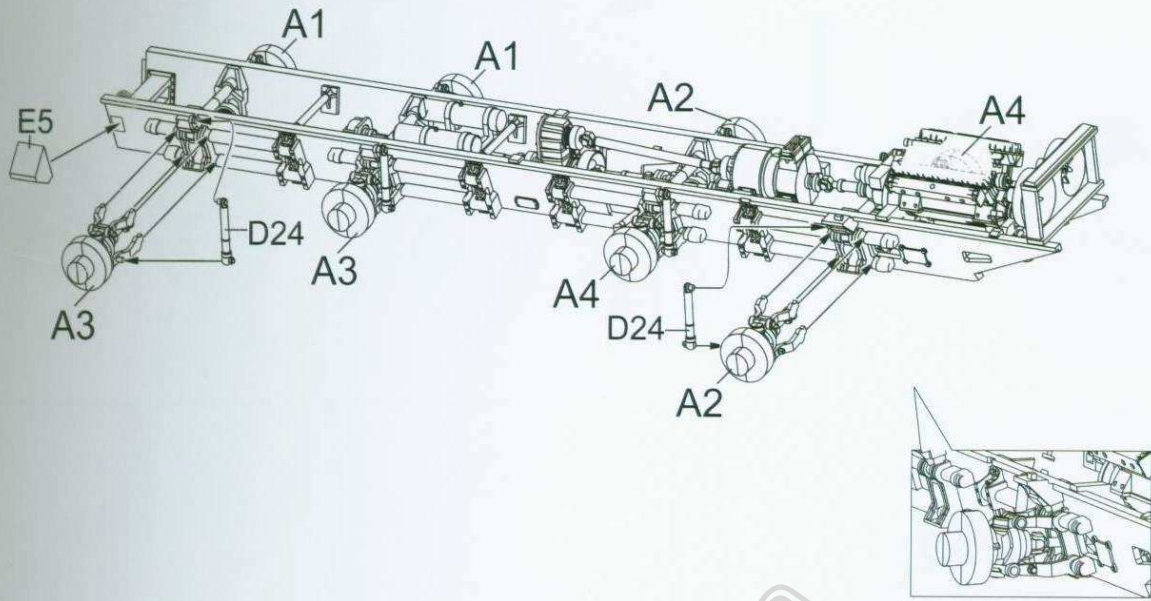
4

车体大梁及悬挂结构组装
車體大梁及懸掛結構組裝
Attaching crossbeam and suspension



5

车体大梁及悬挂结构组装
車體大梁及懸掛結構組裝
Attaching crossbeam and suspension



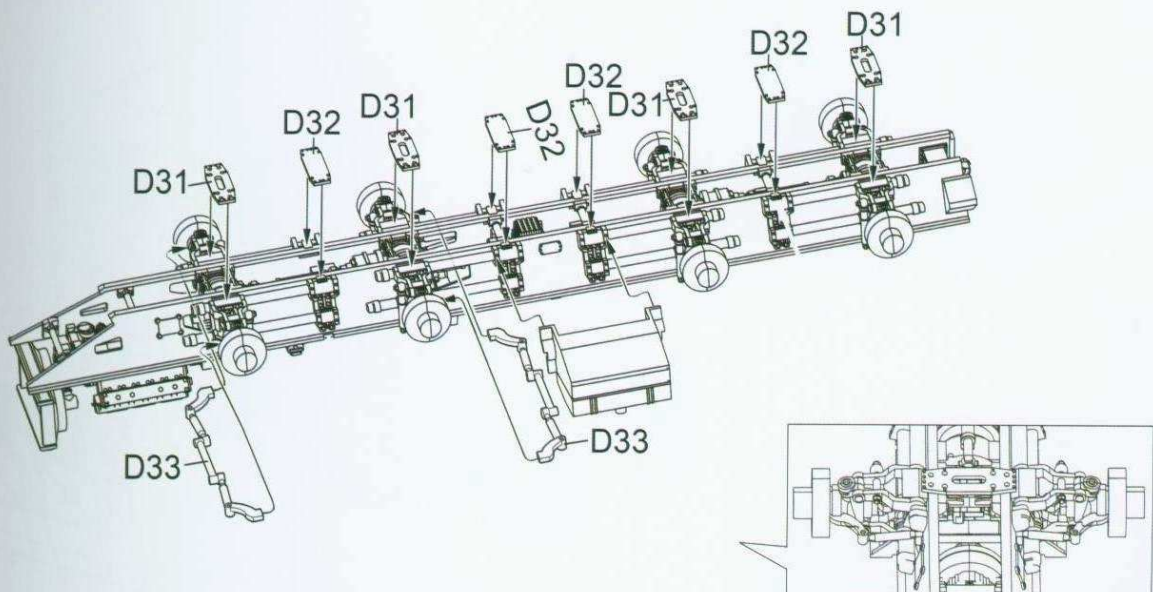
6

车体大梁附件组装
車體大梁附件組裝
Attaching Missile Launch pillar

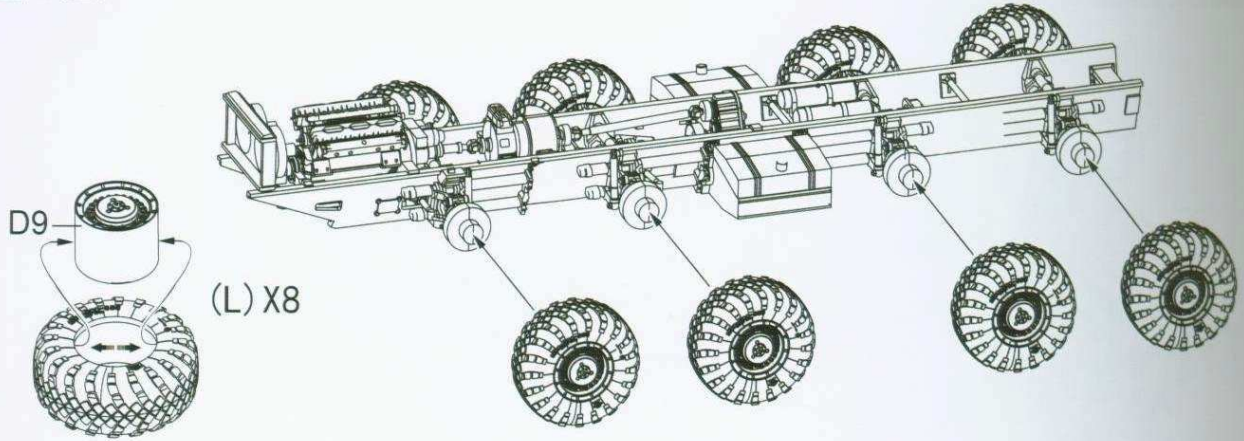


7

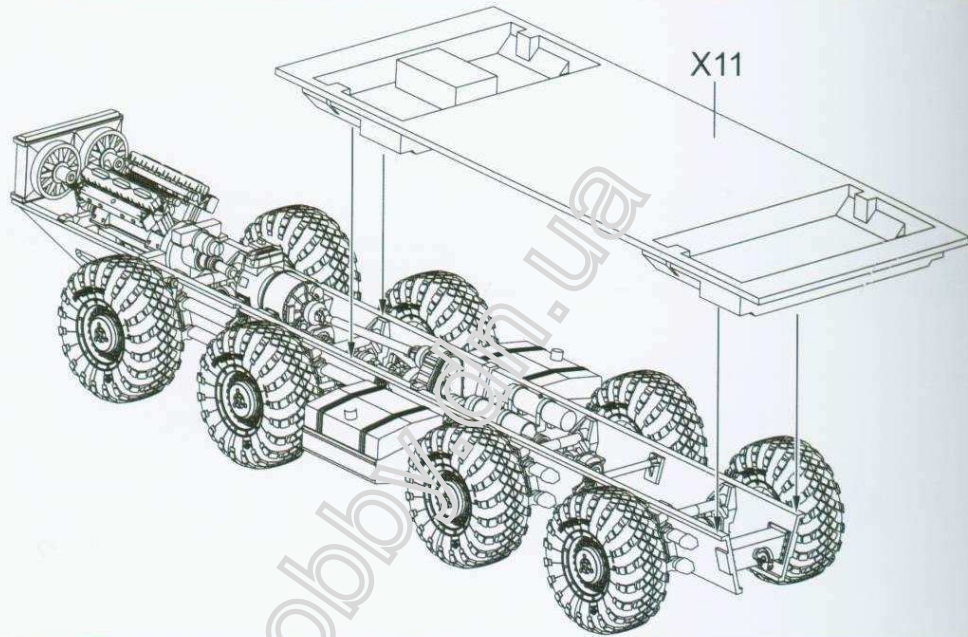
车体大梁附件组装
車體大梁附件組裝
Attaching crossbeam detail part



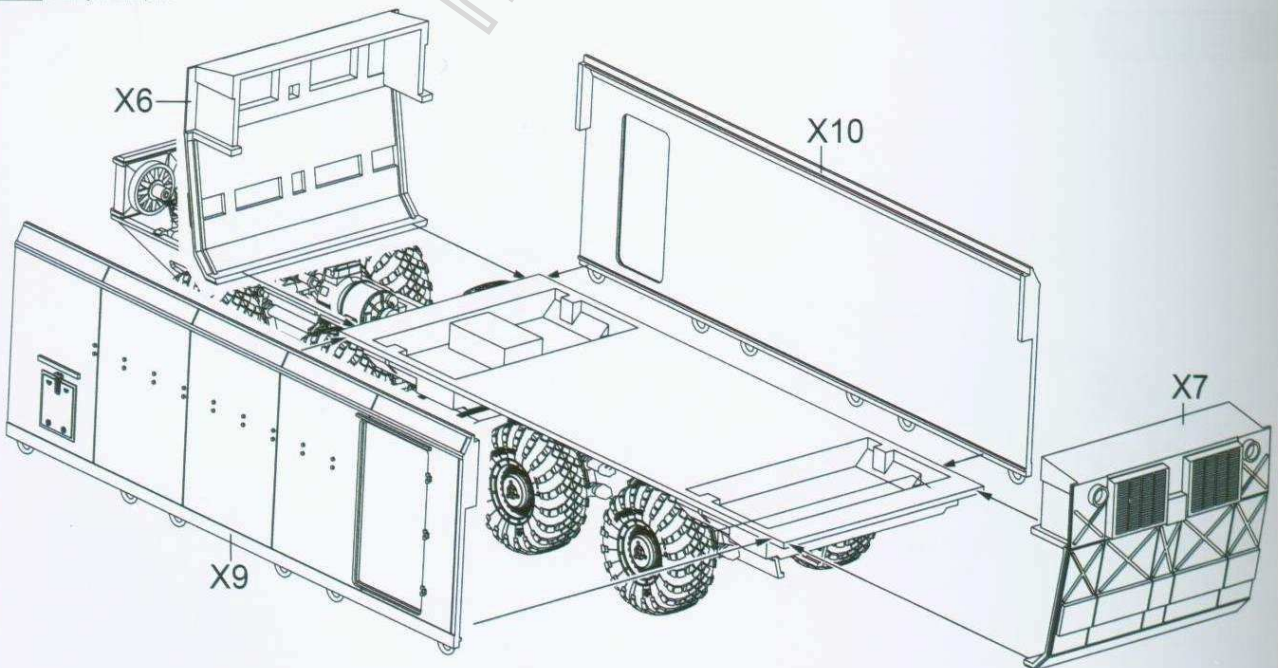
8 车轮组装
車輪安裝
Attaching wheels



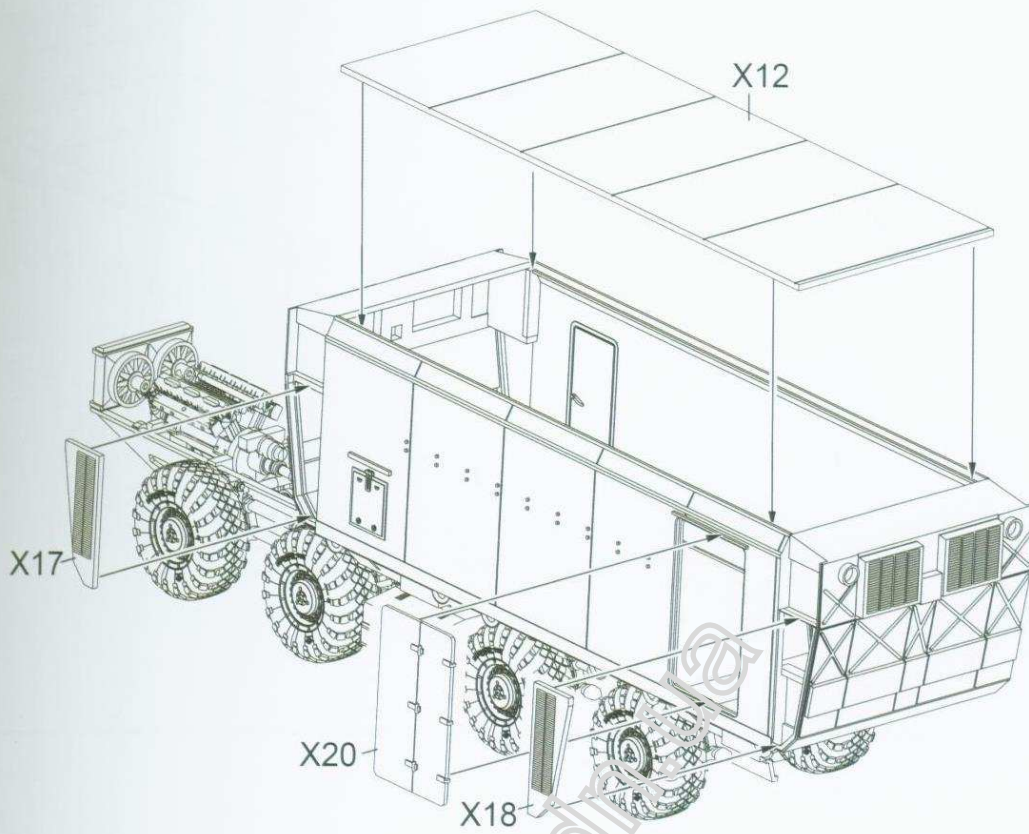
9 指挥车副安装1
指揮車副安裝1
Attaching command post1



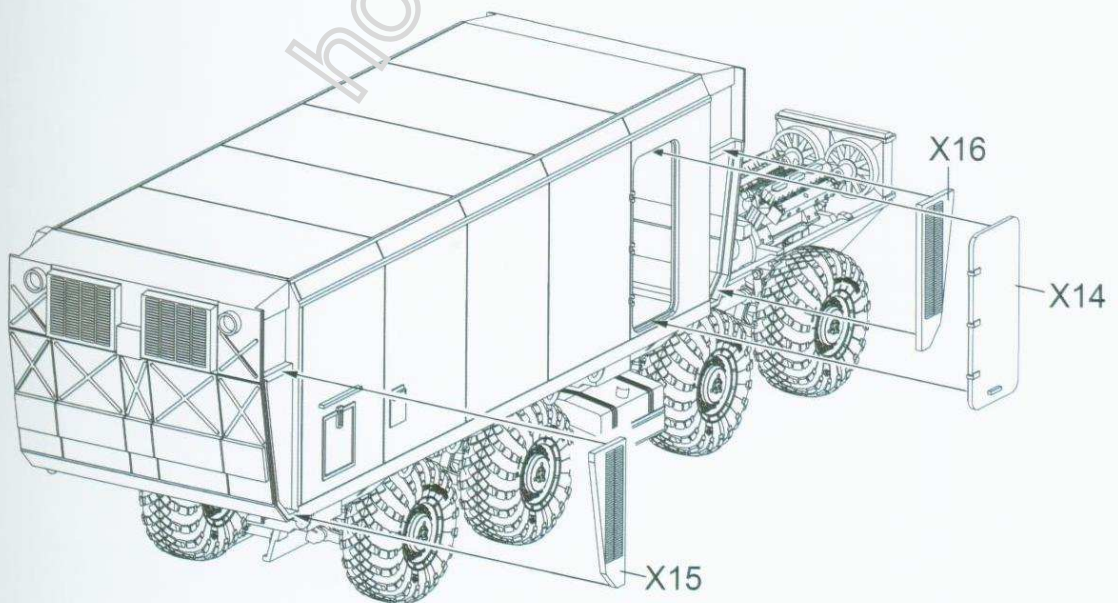
10 指挥车副安装2
指揮車副安裝2
Attaching command post2



11 指挥车副安装3
指挥车副安装3
Attaching command post3

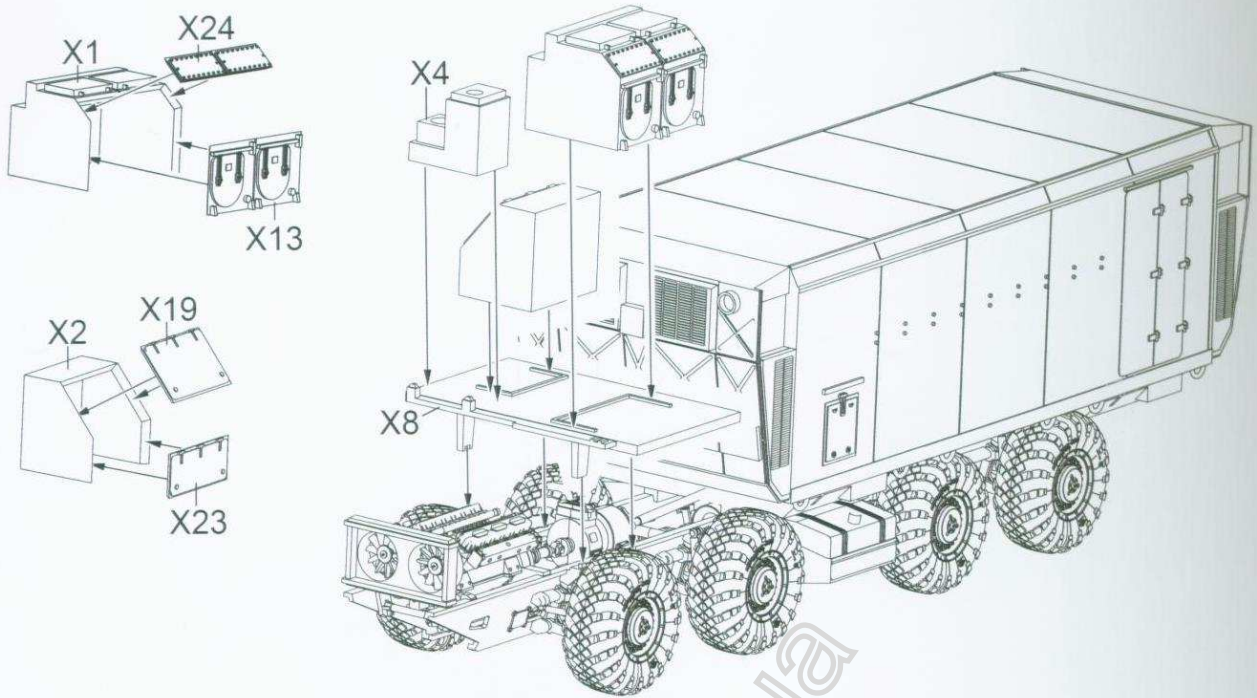


12 指挥车副安装4
指挥车副安装4
Attaching command post4



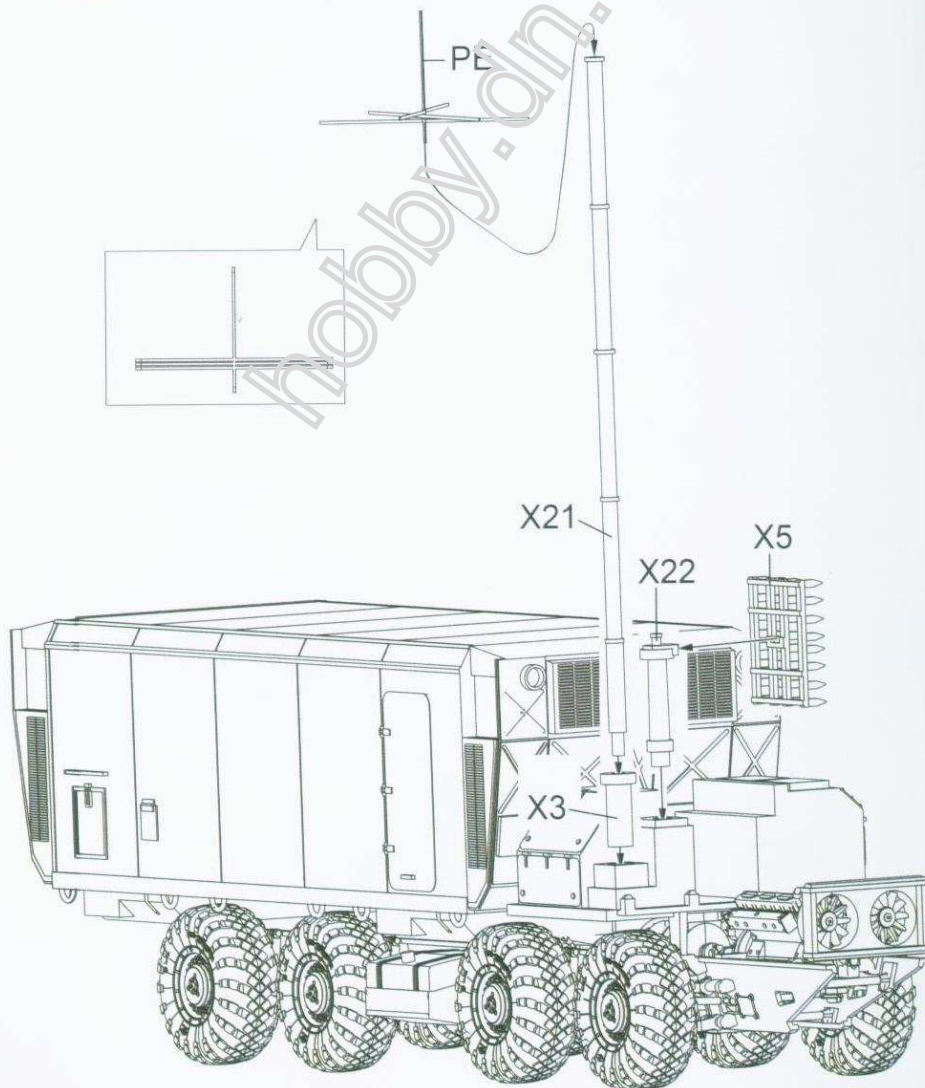
13

指挥车副安装5
指挥车副安装5
Attaching command post5



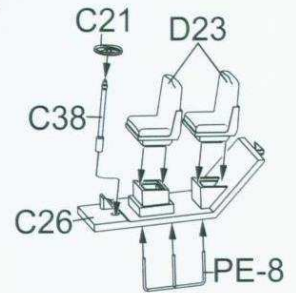
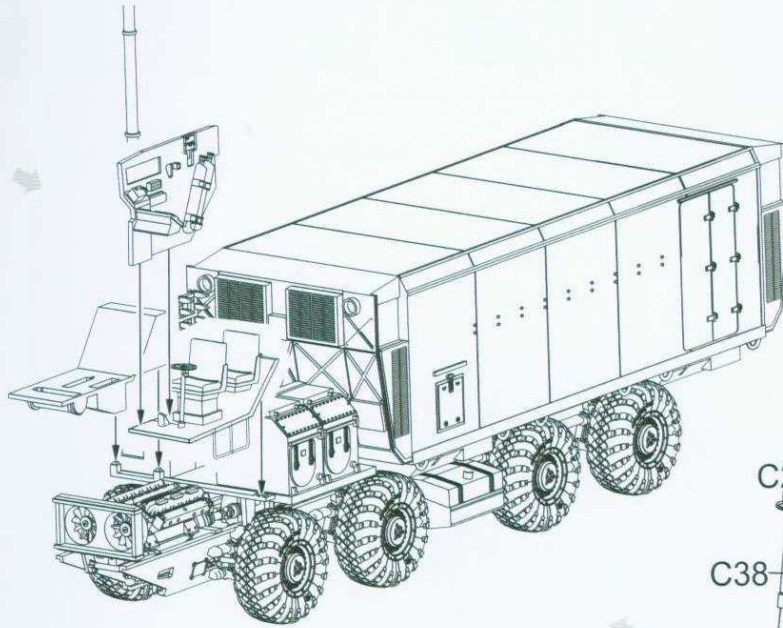
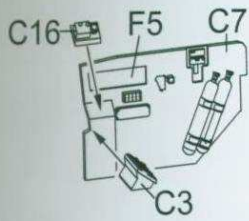
14

指挥车副安装6
指挥车副安装6
Attaching command post6



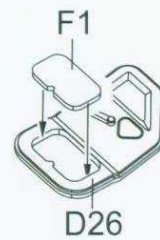
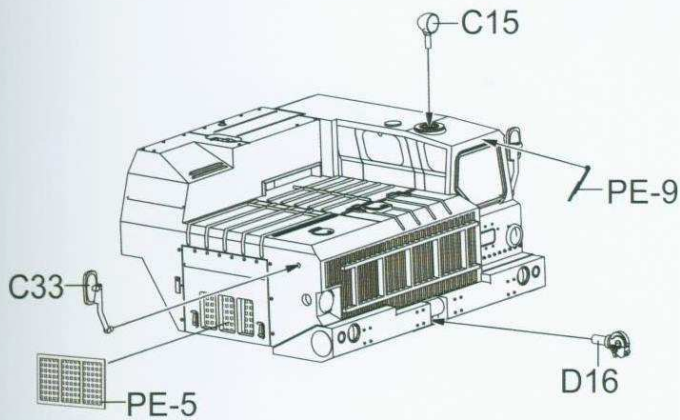
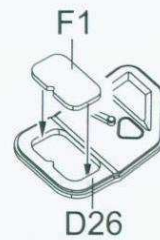
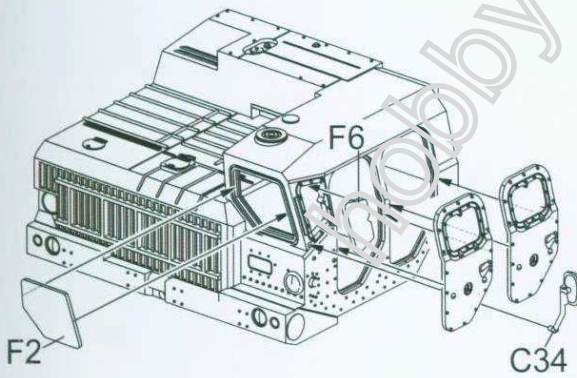
15

駕駛室組裝
駕駛室組裝
Attaching drive cabin



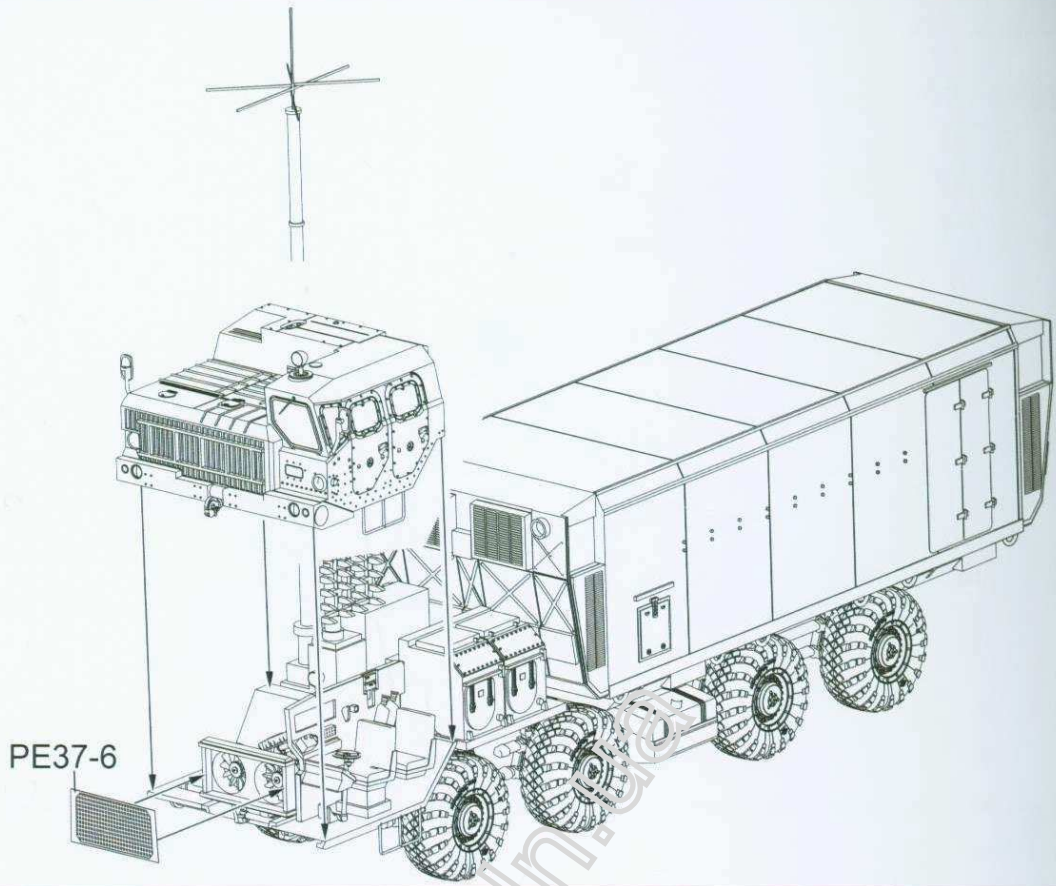
16

駕駛室組裝
駕駛室組裝
Attaching drive cabin



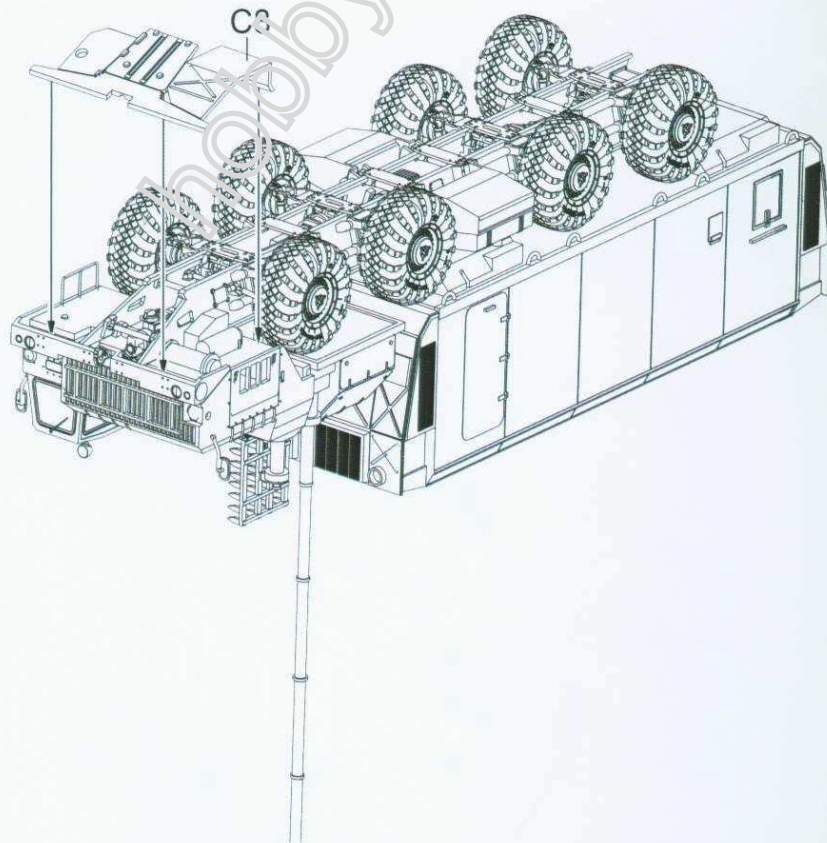
17

駕駛室組裝
駕駛室組裝
Attaching drive cabin



18

駕駛室組裝
駕駛室組裝
Attaching drive cabin



RUSSIAN 54K6E "BAIKAL" AIR DEFENCE COMMAND POST



- A.MIG 046 MATT BLACK
- A.MIG 097 Crystal Orange
- A.MIG 083 ZASHCHITNIY ZELENO
- A.MIG 057 Yellow Grey
- A.MIG 047 Satin White
- A.MIG 0191 Steel
- A.MIG 194 Aluminium



RUSSIAN 54K6E "BAIKAL" AIR DEFENCE COMMAND POST

modelcollect

A.MIG 046 MATT BLACK

A.MIG 097 Crystal Orange

A.MIG 083 ZASHCHITNIY ZELENO

A.MIG 057 Yellow Grey

A.MIG 047 Satin White

A.MIG 0191 Steel

A.MIG 194 Aluminium



MODELCOLLECT

Russian 54K6E "Baikal" Air Defence Command Post: UA72095

Color info and profiles by



RUSSIAN 54K6E "BAIKAL" AIR DEFENCE COMMAND POST



A.MIG 046 MATT BLACK A.MIG 070 MEDIUM BROWN A.MIG 083 ZASHCHITNIY ZELENO A.MIG 051 OIL OCHRE A.MIG 046 MATT BLACK A.MIG 0191 Steel

A.MIG 187 JET EXHAUST BURNT IRON

