

GERMAN WWII WAFFENTRAGER AUF E 100 WITH RHEINTOCHTER R1 MISSILE



ITEM NO:UA72106

The Panzerkampfwagen E-100 (Gerät 383) (TG-01) was a German super-heavy tank design developed near the end of World War II. It was to also be the basis for a heavy artillery system, an anti-aircraft vehicle, and a heavy tank destroyer. However, the development of these last was never started due to the end of World War II, by which time only the E-100's chassis was partially completed. It was shipped to the United Kingdom for testing, and was later scrapped.

The basic design was ordered by the Waffenamt as a parallel development to the Porsche Maus in June 1943. It was the heaviest of the Entwicklung (E) series of vehicles, meant to standardize as many components as possible. There was going to be an E-5, E-10, E-25, E-50, E-75 and finally the E-100.

In November 1942, Krupp suggested a design weighing 155 tons, compared to the 188 tons of the Maus - but still using the Maus turret. In December 1942, Krupp suggested a design weighing 130 tons which used many of the same components as the Tiger tank with Maus turret — referred to as the "Tiger-Maus". Weight savings were to be from thinner armour, and narrowing and shortening the vehicle. In 1944 Hitler ordered the development of super heavy tanks to stop, work on the E-100 however continued at a very low priority with only three Adler employees available to assemble the prototype.

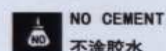
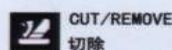
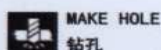
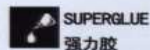
The prototype had a HL 230P30 engine and Olvar transmission. The HL 230 was the same V-12 engine and that was used on the Tiger II and Panther tanks. It was suitable for the 45-tonne Panther, underpowered for the 70-tonne Tiger II, and grossly under-powered for a 140-tonne design. The chassis of the prototype was virtually completed however it lacked a turret that would have been fitted with the 15 cm KwK 44 gun. The final version was to be powered by HL234 producing 850 hp mated to a Mekydro transmission. A 17 cm KwK 44 was proposed as the final armament. Suspension was to be the externally mounted Belleville Washer type. The hull had sloped armor, typical of post-1943 design. Wheels were overlapped, similar to the Tiger II and Panther tank, and no longer interleaved as with the Schachtellaufwerk suspension of the original Tiger I.

●READ BEFORE ASSEMBLY

1. When you use glue or paint, do not near flame, and use in a well-ventilated room.
2. Take extra care in handling photo etch parts in order to avoid injury
3. When you take parts off the runner frame, use modeling scissors and trim excess plastic with a cutter or a file.
4. Glue and paint are not included.
5. This product is only suitable for experienced more than 14 years old.

●装配之前仔细阅读:

1. 勿於近火处使用胶水或油漆, 并 打开窗户保持空气流通。
2. 取蚀刻片时应特别注意安全, 防止利边划伤手指。
3. 从胶架中取出部件时, 应用模型专用剪, 并用界刀或小锉除去多余的胶料。
4. 请使用塑料胶水和油漆, 模型内不含。
5. 本产品不适合14岁以下没有经验的模型爱好者。

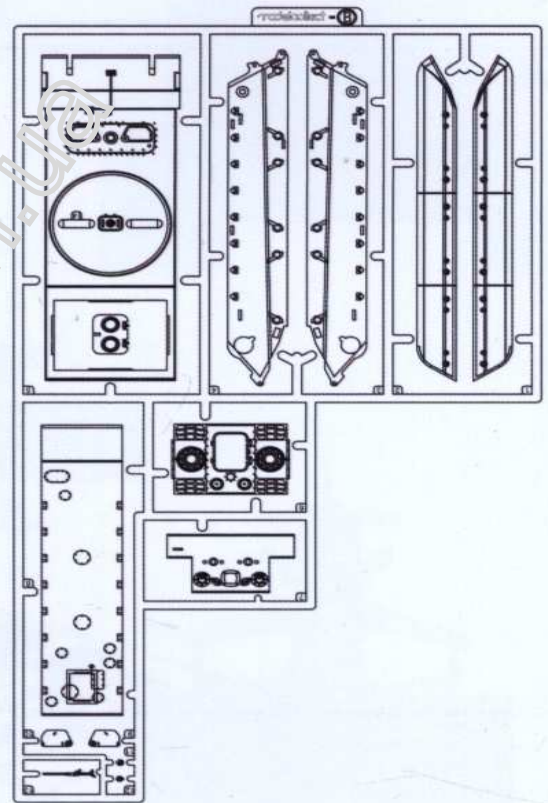
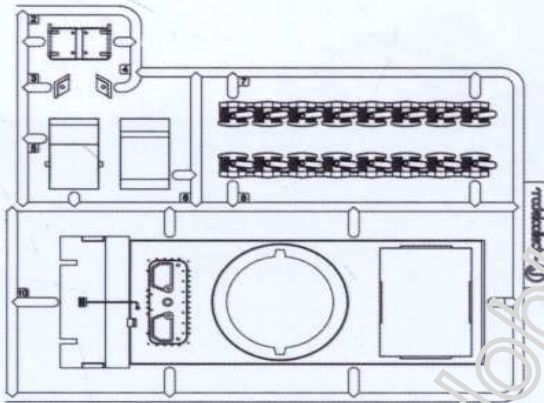
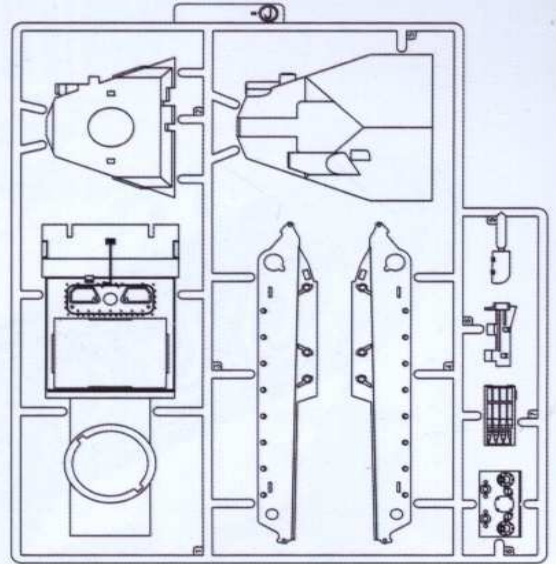
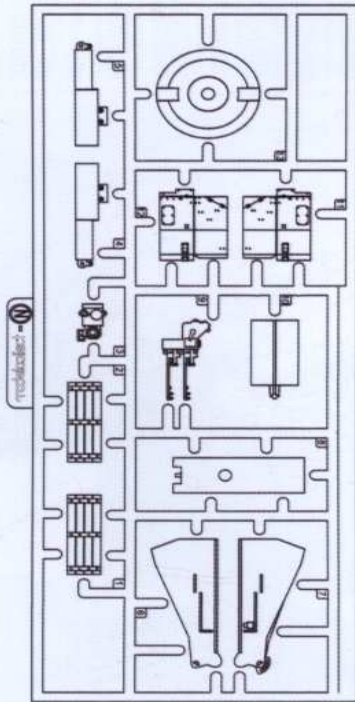
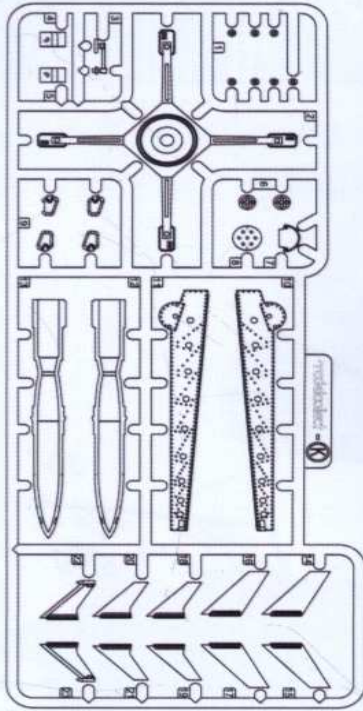


DECAL APPLICATION

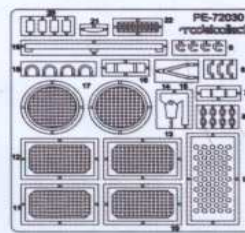
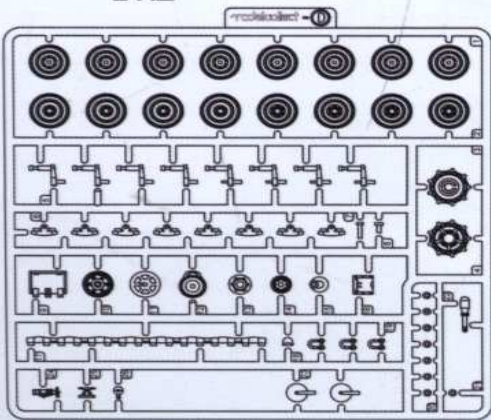
1. Cut off decal from sheet.
2. Dip the decal in tepid water 40° C for about 10 sec. and place on a clean cloth.
3. Hold the backing sheet edge and slide decal onto the model.
4. Move decal into position by wetting decal with finger.
5. Press decal gently down with a soft cloth until excess water and air bubbles are gone.

水贴纸的使用:

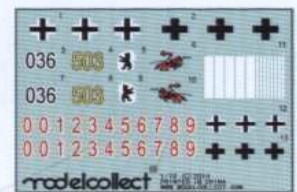
1. 从水贴上剪下印花。
2. 将印花放入温水中浸10秒, 然后放在干净布上。
3. 拿着印花纸板将印花移到模型上。
4. 手指蘸水将印花移到适当的位置。
5. 用软布轻压印花直至不干, 气泡消失。



Dx2



PE-72030

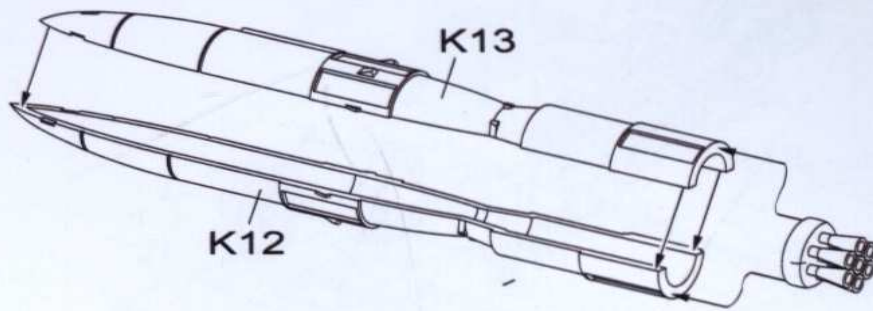


Decal

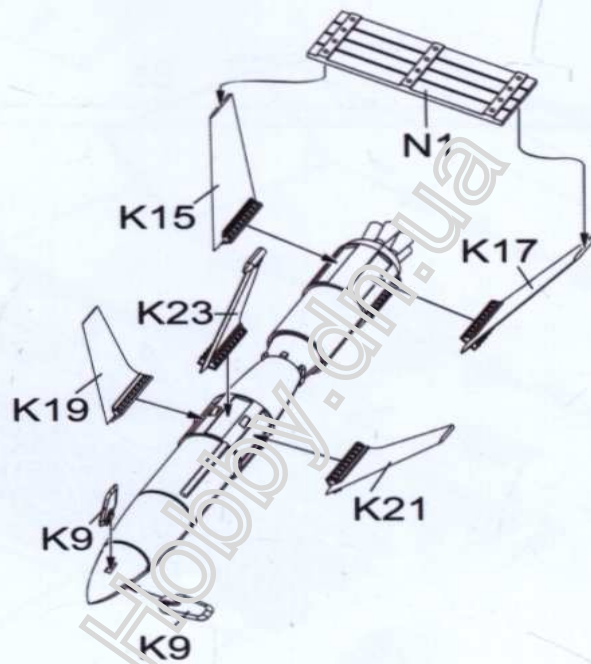


Track X 2

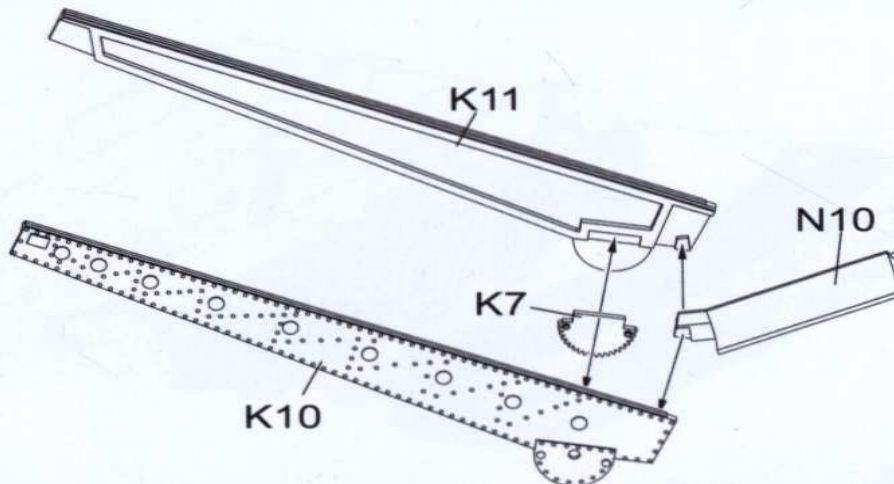
1 导弹组装1
Attaching missile 1



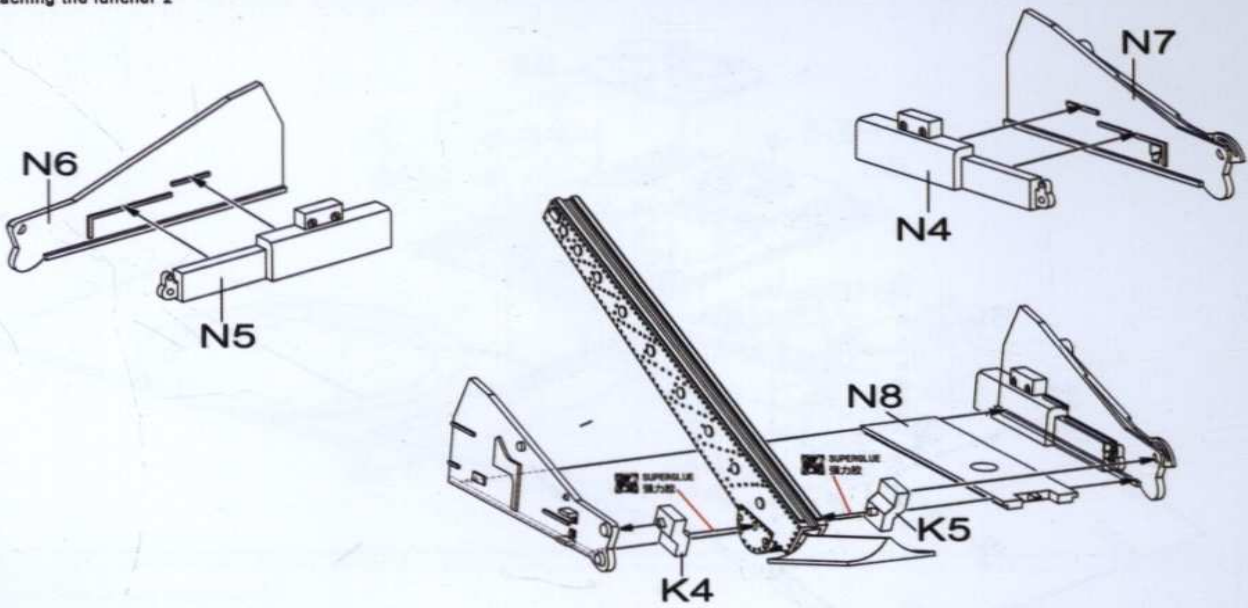
2 导弹组装2
Attaching missile 2



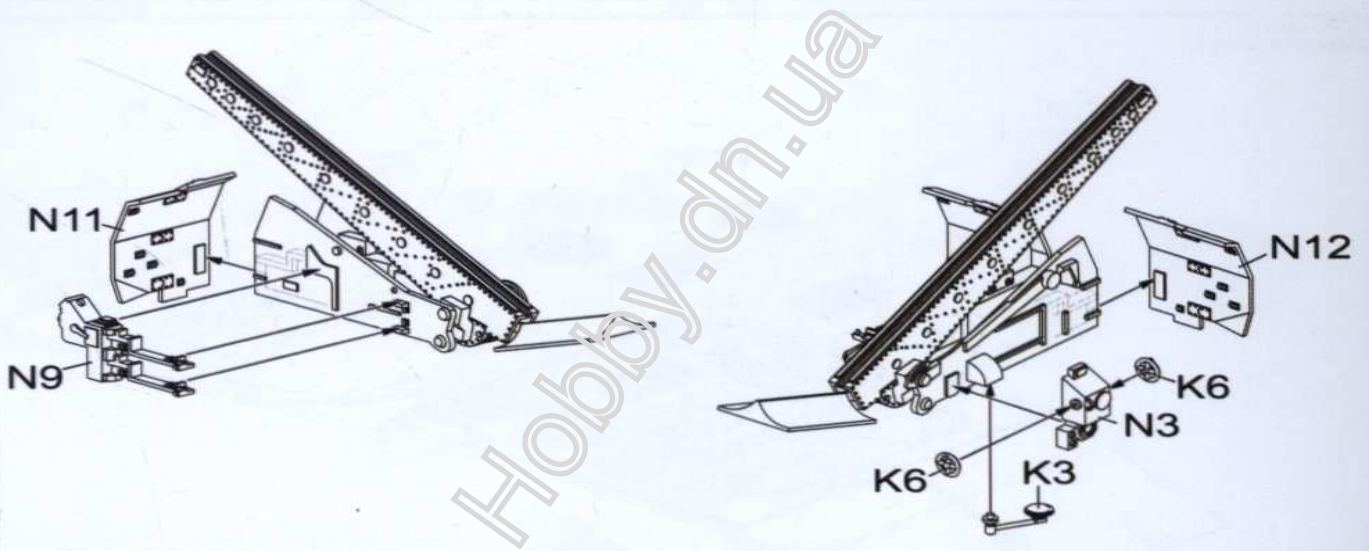
3 发射架组装1
Attaching the launcher 1



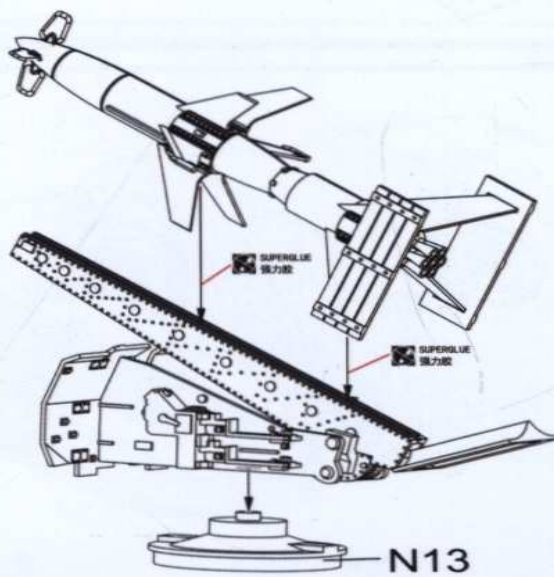
4 发射架组装2
Attaching the launcher 2



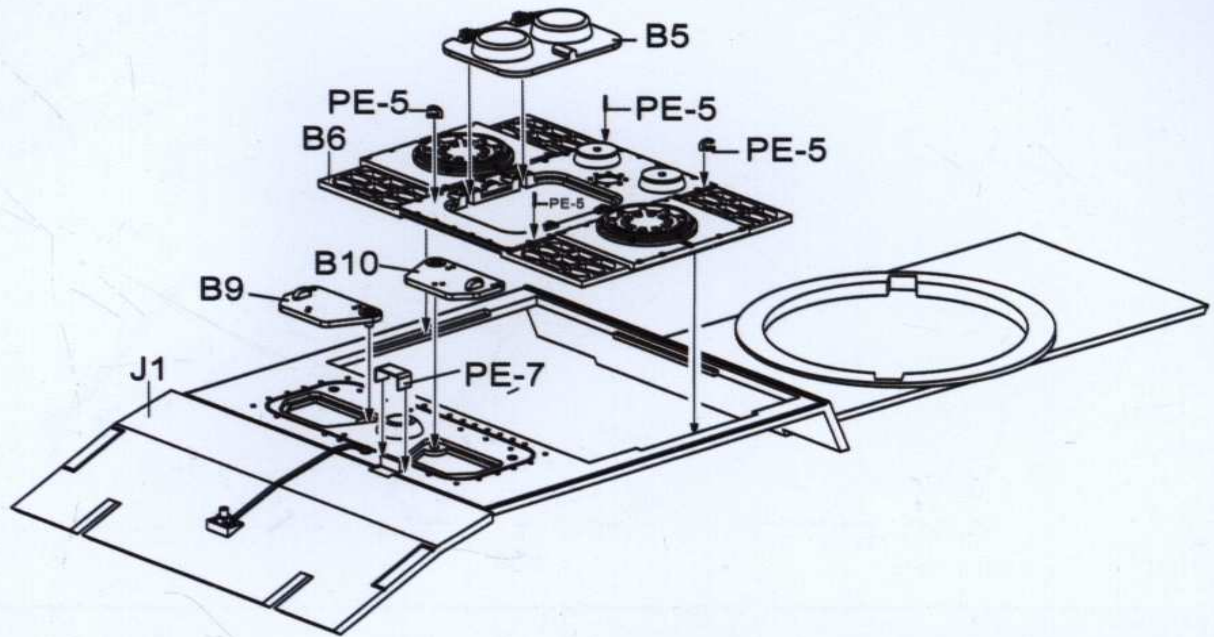
5 发射架组装3
Attaching the launcher 3



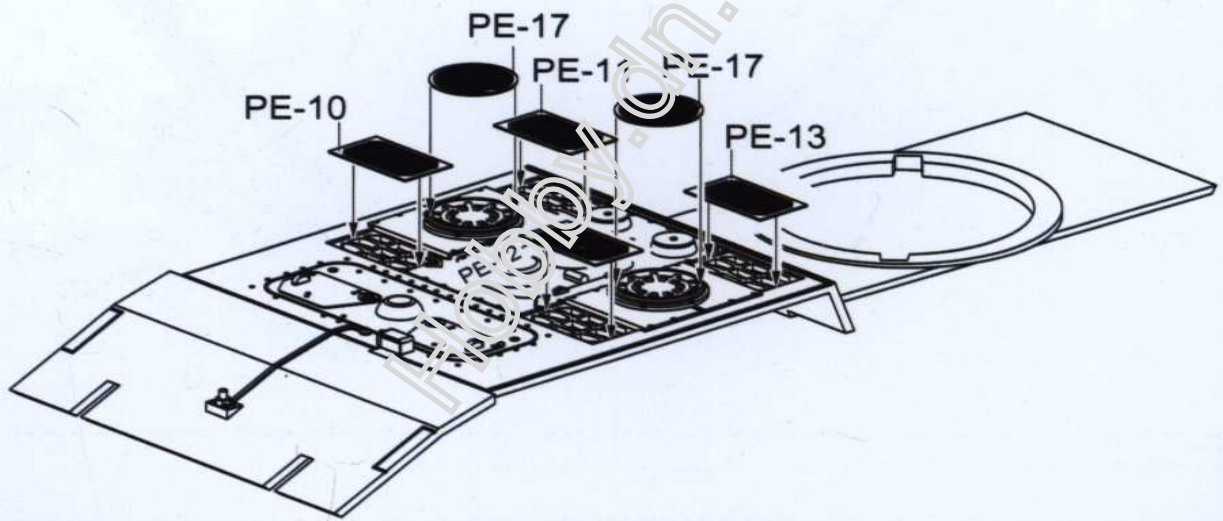
6 导弹、发射架组装
Attaching the missile and launcher



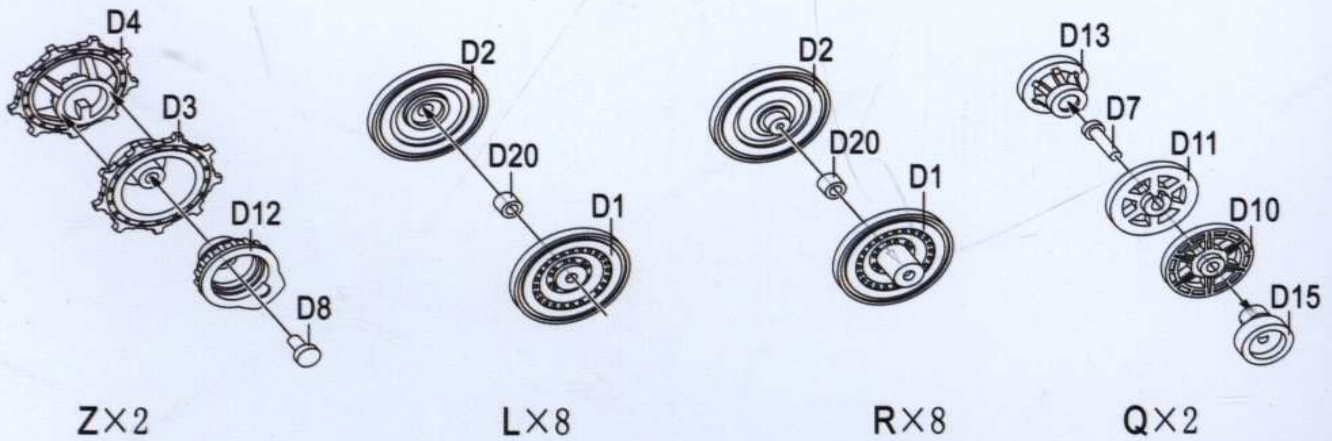
7 組裝車體 1
Attaching hull 1



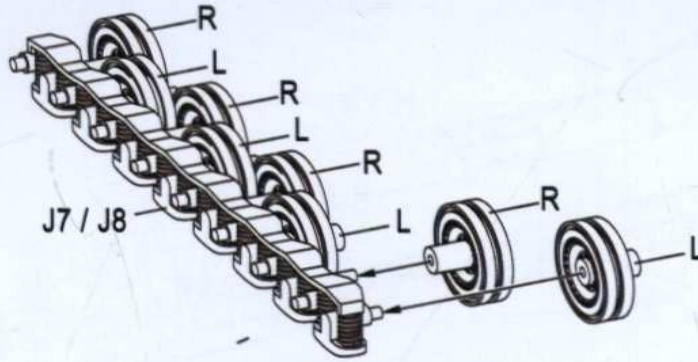
8 組裝車體 2
Attaching hull 2



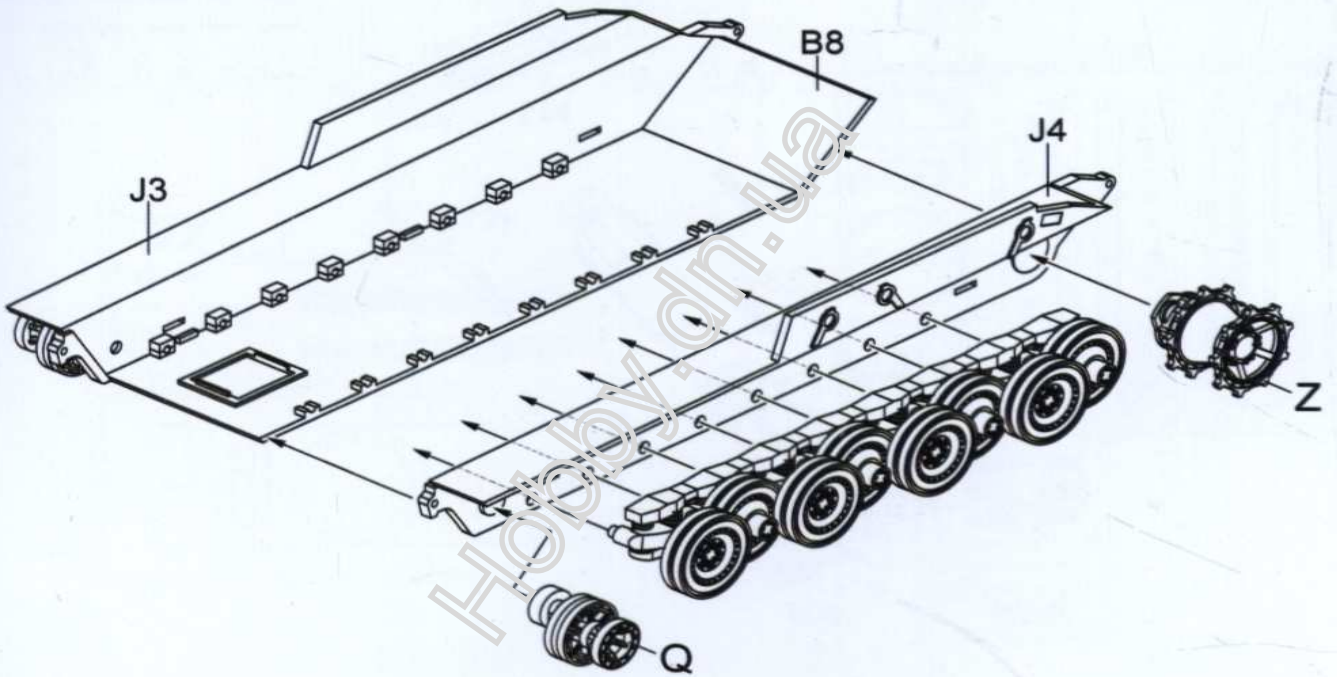
9 組裝輪子 1
Attaching wheels 1



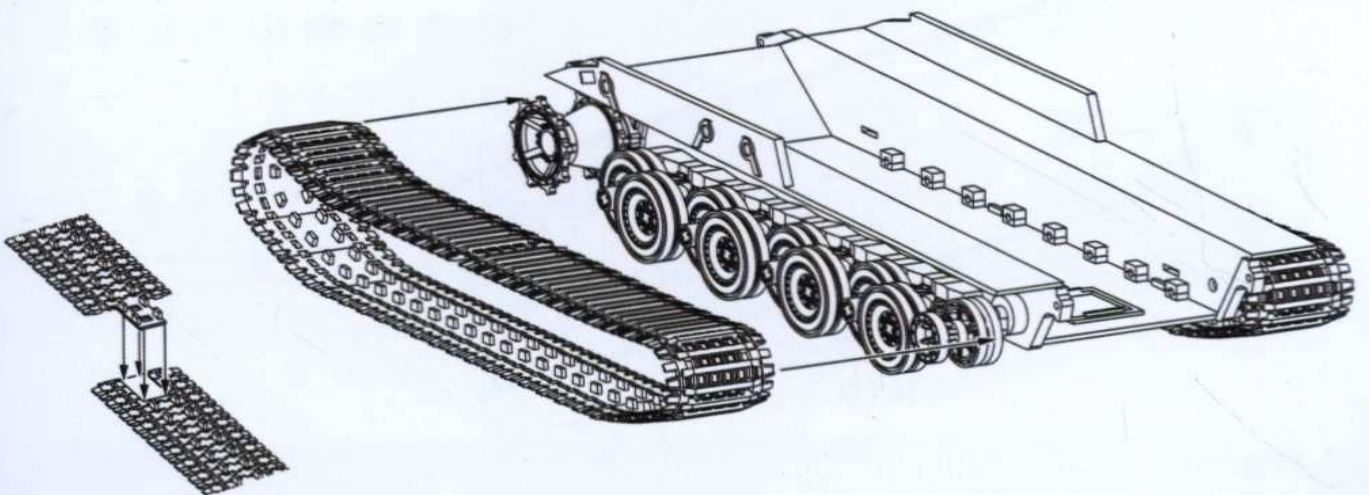
10 組裝車輪和懸掛 1
Attaching wheels and suspension 1



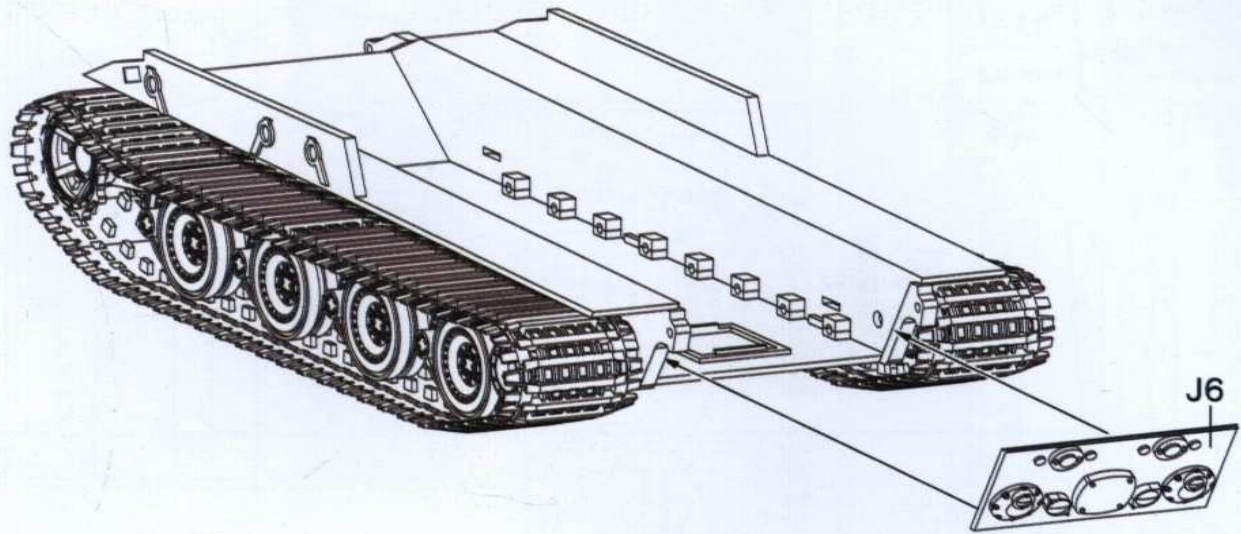
11 組裝車輪和懸掛 2
Attaching wheels and suspension 2



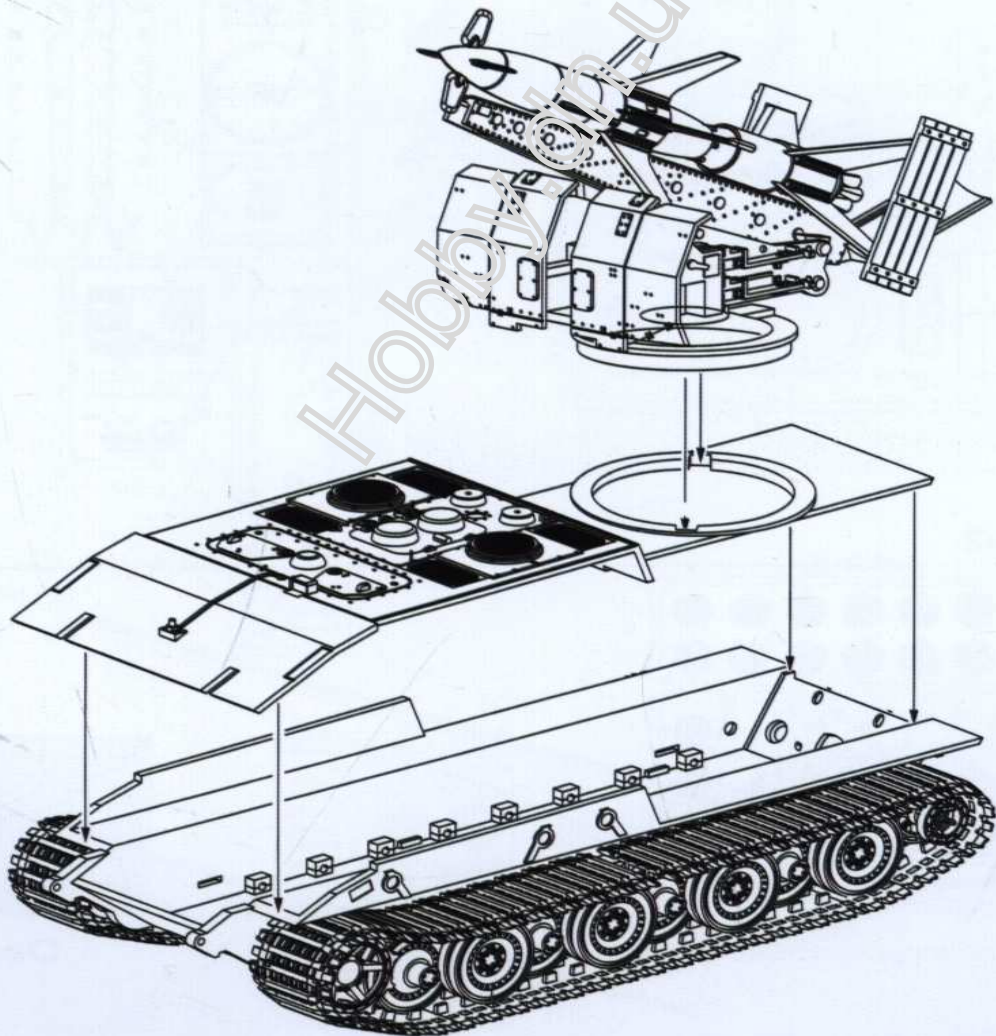
12 彈藥、發射架組裝
Attaching hull



13



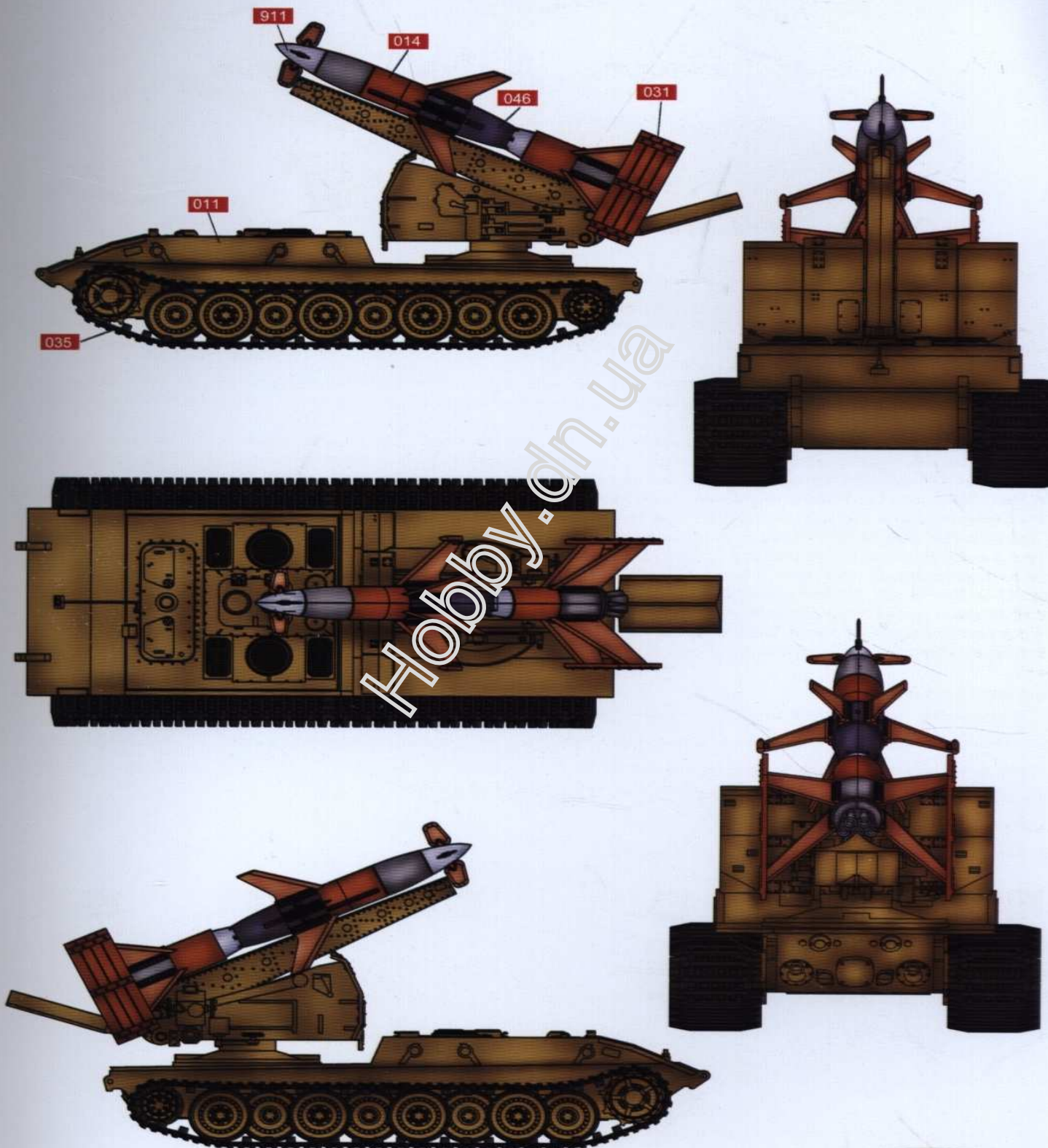
14 组装炮塔和车体
Attaching turret and hull



GERMAN WWII WAFFENTRAGER AUF E 100 WITH RHEINTOCHTER R1 MISSILE

modelcollect

A.MIG 004	RAL 6011 B RESEDAGRÜN	A.MIG 002	RAL 6003 OLIVGRÜN OPT.2	A.MIG 008	RAL 7021 DUNKELGRAU	A.MIG 035	DARK TRACKS	A.MIG 037	NEW WOOD	A.MIG 911	GREY SHINE
A.MIG 014	RAL 8012 ROTBRAUN	A.MIG 218	RLM 86 SCHWARTZGRAU	A.MIG 042	OLD RUST	A.MIG 046	MATT BLACK	A.MIG 011	RAL 7028 DUNKELGELB AUS '44 DG 1		



MODELCOLLECT

Color info and profiles by

