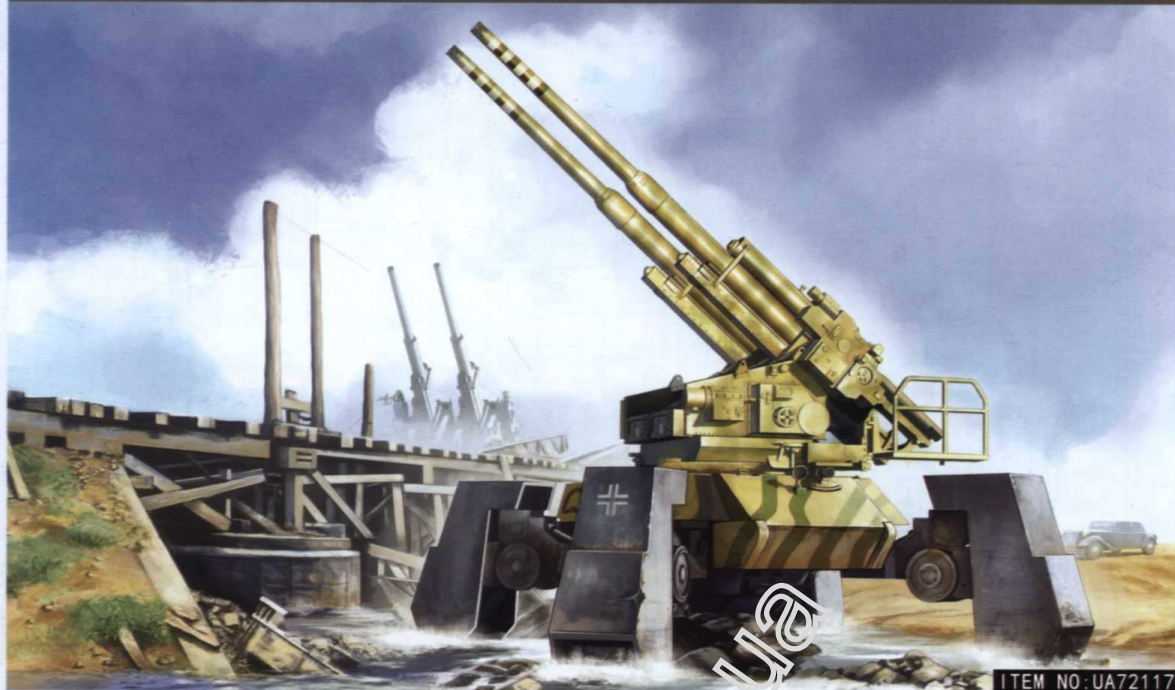
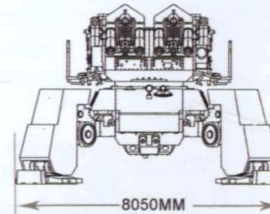
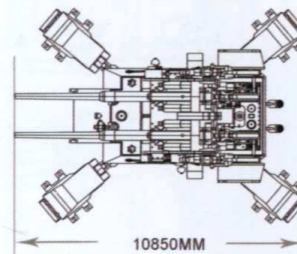
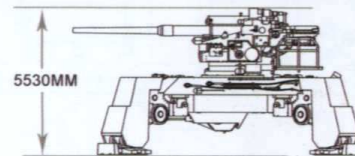


FIST OF WAR GERMAN E-75 128MM FLAK 40 ZWILLING



ITEM NO: UA72117

German E-75 128mm flak 40 zwilling	
Type	Anti-aircraft gun
Place of origin	Nazi Germany
Service history	
In service	1944-1946
Wars	WWII
Production history	
Designer	Henschel & Son
Designed	1944
Manufacturer	Henschel & Son
Produced	1944-1947
No. built	45
Specifications	
Weight	98 tonnes
Length	10.85metres (hull) (with gun forward)
Width	8.05metres
Height	5.53metres
Crew	8 (commander, main gunner *2, second gunner, loader *2, radio operator, driver)
Armor	25-200 mm
Main armament	2 x 12.8 cm Flak 40
Secondary armament	
Zwillingflak	30mm MK 103 twin anti-aircraft gun
Engine	'X metal' V-12 Maybach HL 230 P30 gasoline 1400 PS
Operational range	
Road:	250 km
Cross country	150 km
Speed Maximum	
Sustained, road	35 km/h
Cross country	30 km/h

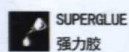


●READ BEFORE ASSEMBLY

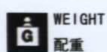
1. When you use glue or paint, do not near flame, and use in a well-ventiated room.
2. Take extra care in handling photo etch parts in order to avoid injury
3. When you take parts off the runner frame, use modeling scissors and trim excess plastic with a cutter or a file.
4. Glue and paint are not included.
5. This product is only suitable for experienced more than 14 years old.

●装配之前仔细阅读:

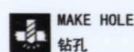
1. 勿于近火处使用胶水或油漆, 并 打开窗户保持空气流通。
2. 取蚀刻片时应特别注意安全, 防止利边划伤手指。
3. 从胶架中取出部件时, 应用模型专用剪, 并用界刀或小锉除去多余的胶料。
4. 请使用塑料胶水和油漆, 模型内不含。
5. 本产品不适合14岁以下没有经验的模型爱好者。



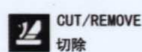
SUPERGLUE
强力胶



WEIGHT
配重



MAKE HOLE
钻孔



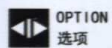
CUT/REMOVE
切除



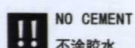
BEND
弯曲



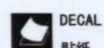
FILE/SAND
锉平



OPTION
选项



NO CEMENT
不涂胶水



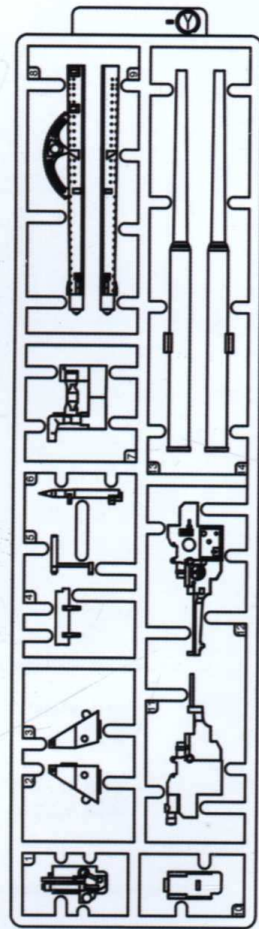
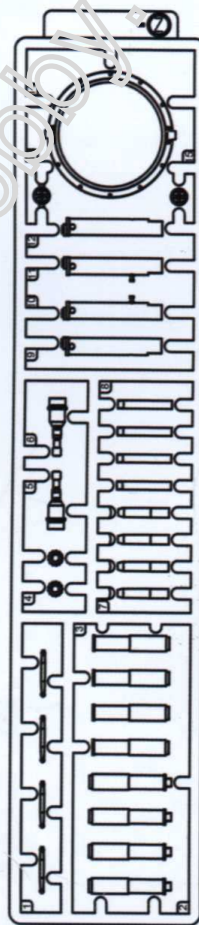
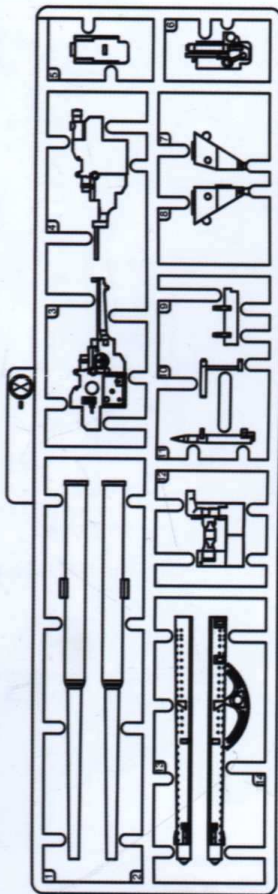
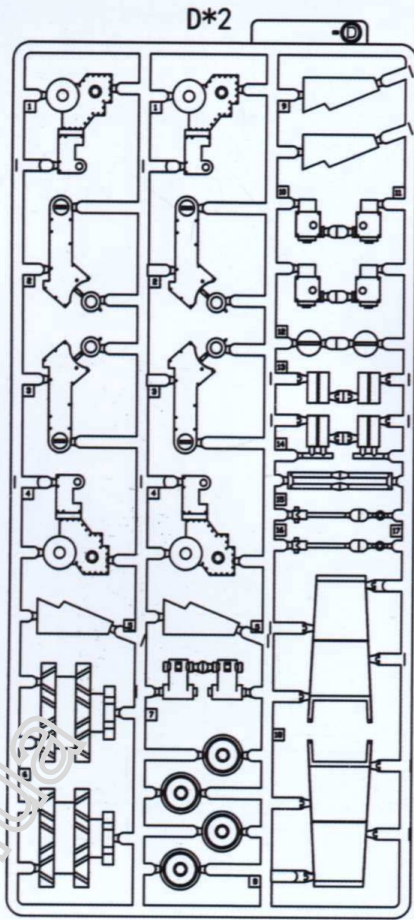
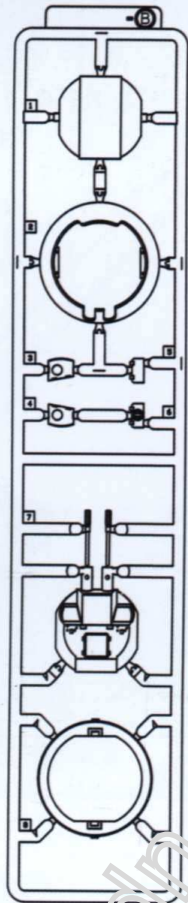
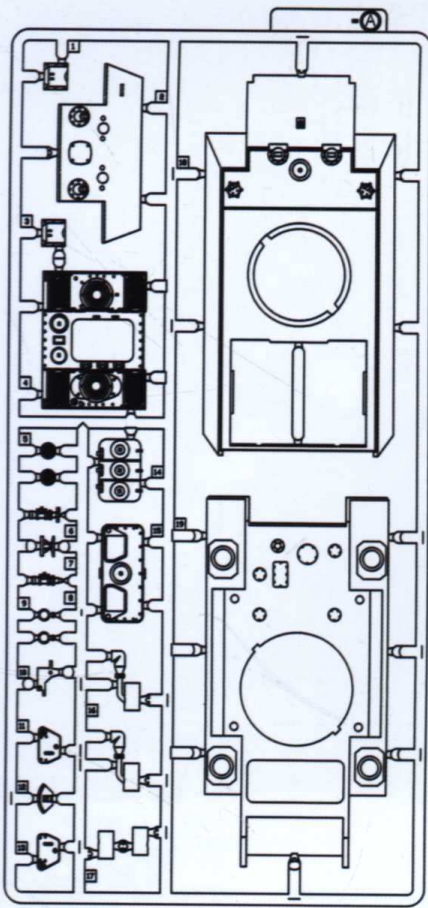
DECAL
贴纸

DECAL APPLICATION

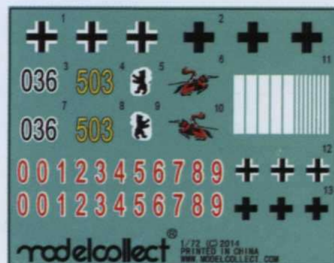
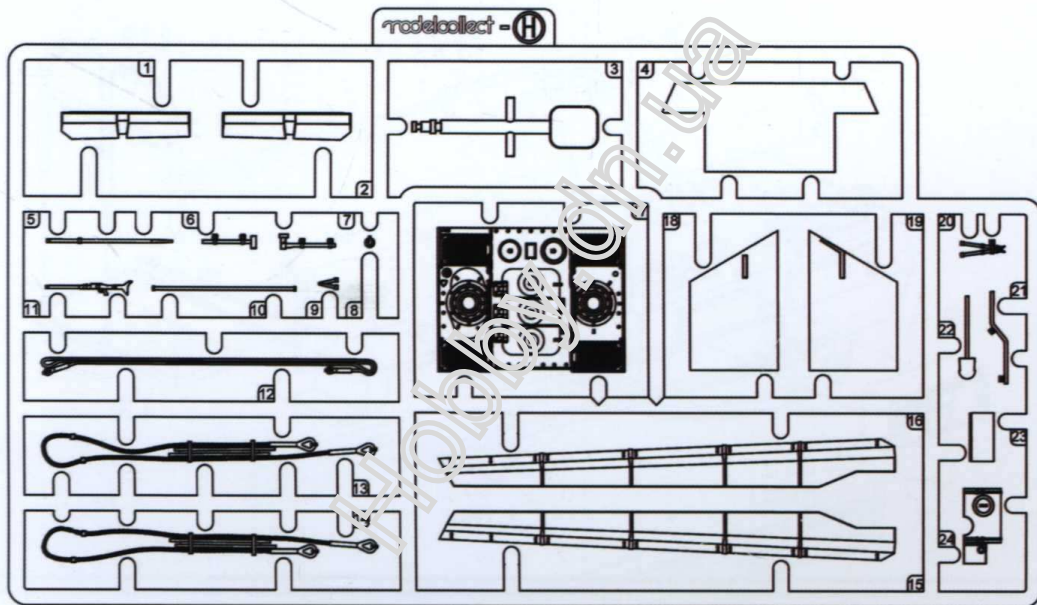
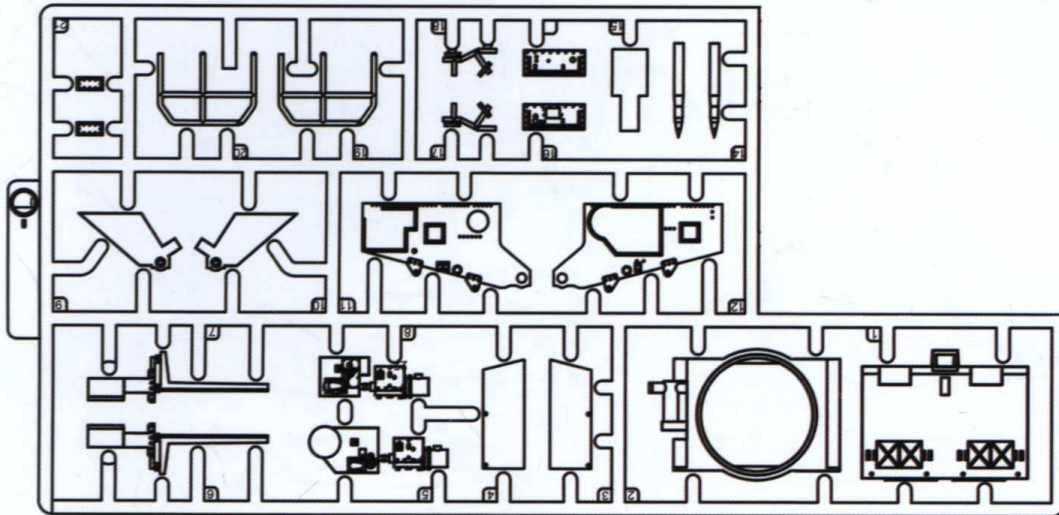
1. Cut off decal from sheet.
2. Dip the decal in tepid water 40° C for about 10 sec. and place on a clean cloth.
3. Hold the backing sheet edge and slide decal onto the model.
4. Move decal into position by wetting decal with finger.
5. Press decal gently down with a soft cloth until excess water and air bubbles are gone.

水贴纸的使用:

1. 从水贴纸上剪下印花。
2. 将印花放入温水中浸10秒, 然后放在干净布上。
3. 拿着印花纸板将印花移到模型上。
4. 手指蘸水将印花移到适当的位置。
5. 用软布轻压印花直至不干, 气泡消失。

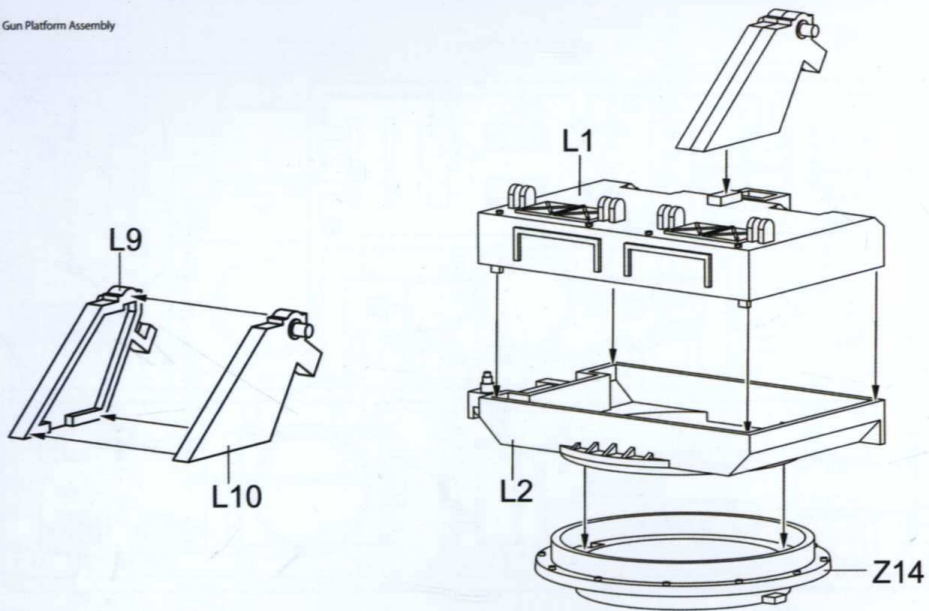


Parts

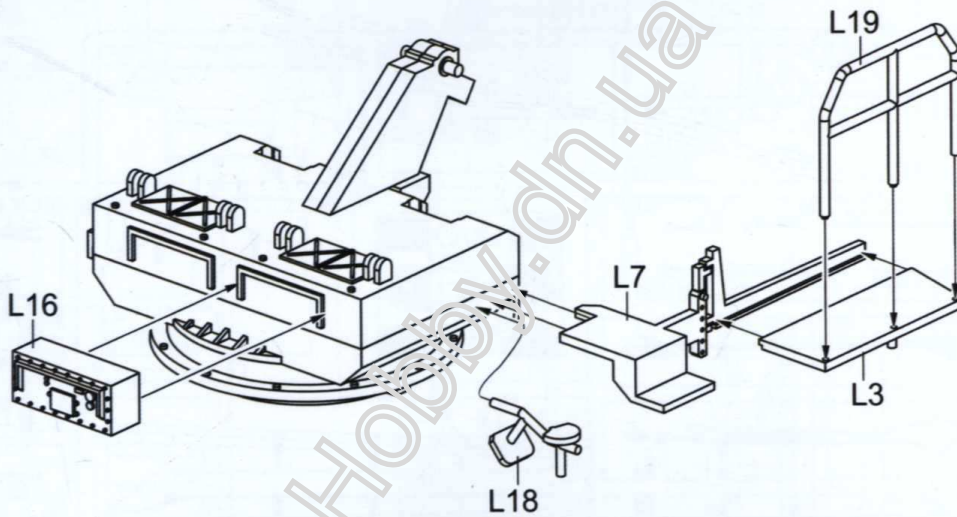


Decal

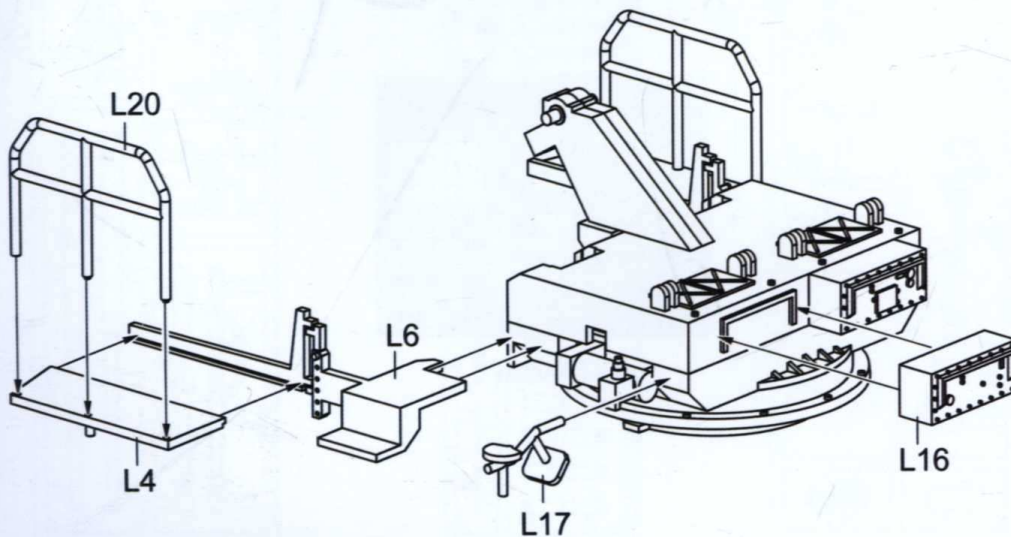
1 Gun Platform Assembly



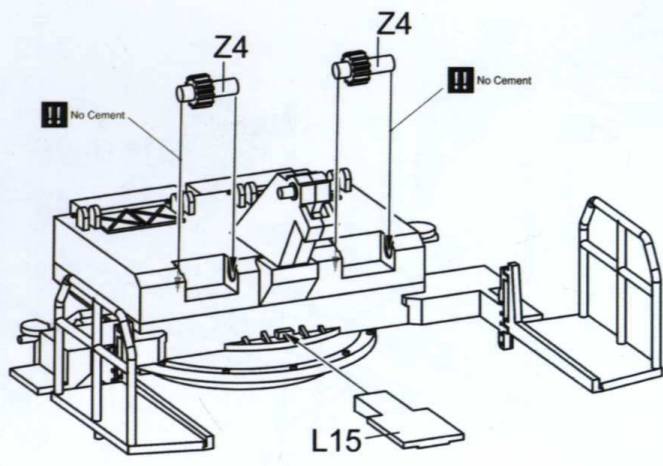
2 Gun Platform Assembly



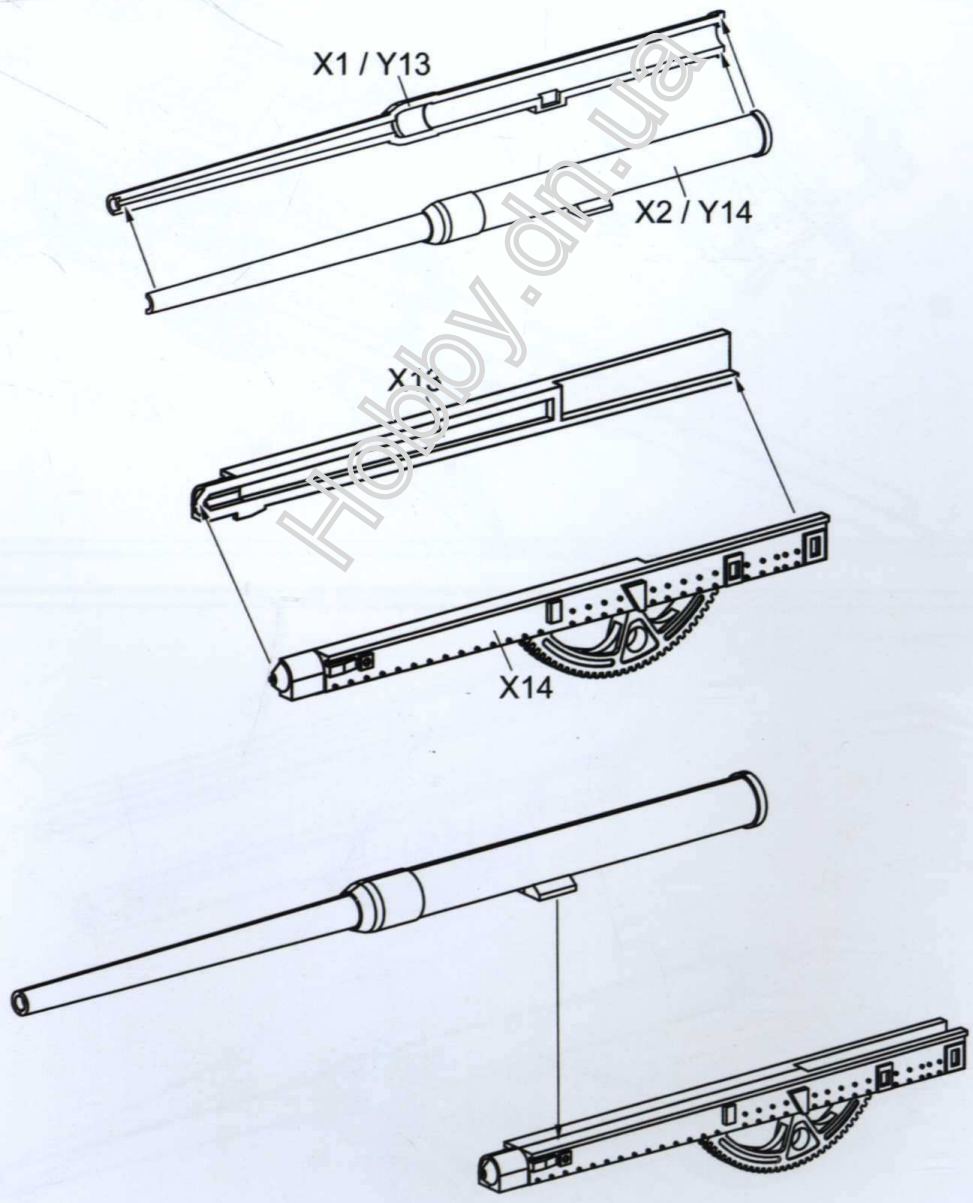
3 Gun Platform Assembly



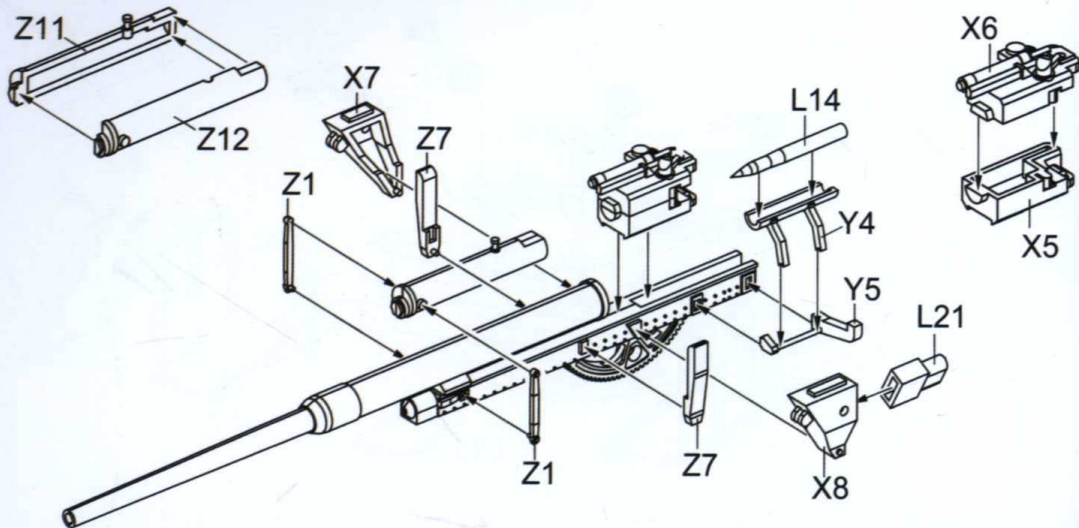
4 Gun Platform Assembly



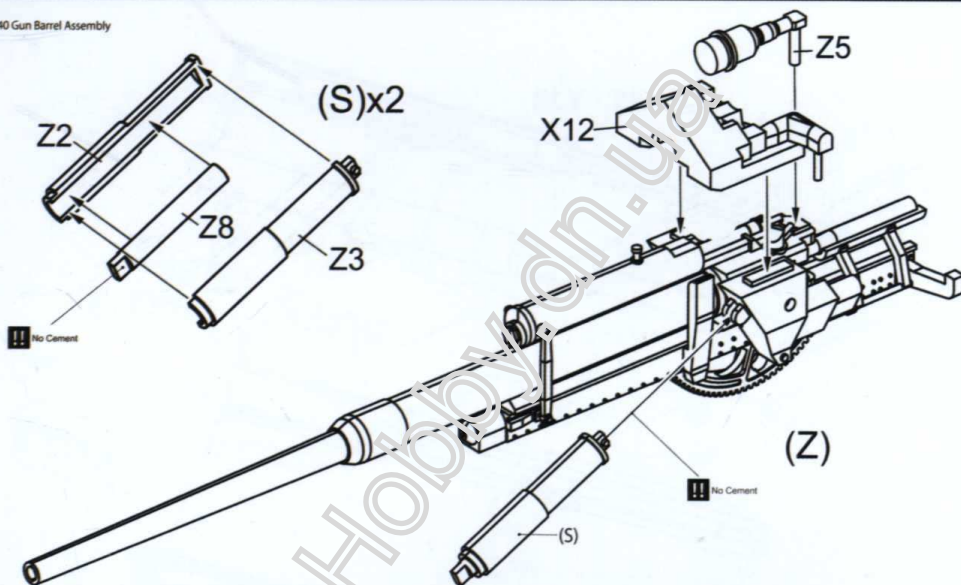
5 Flak 40 Gun Barrel Assembly



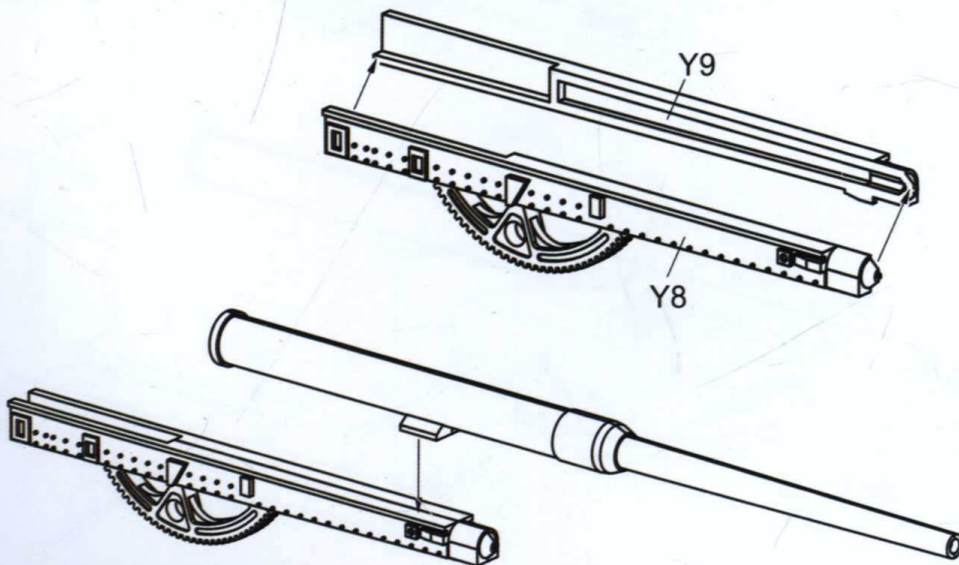
6 Flak 40 Gun Barrel Assembly



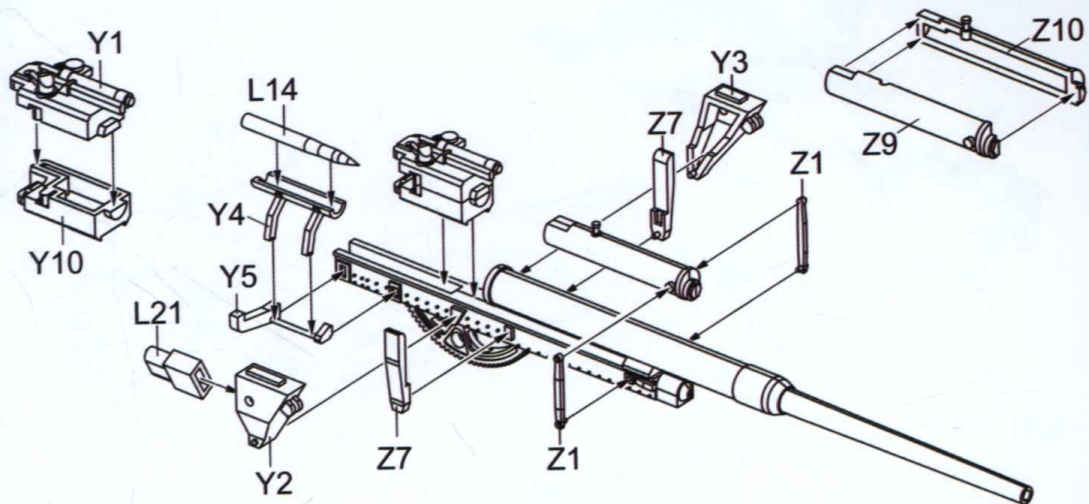
7 Flak 40 Gun Barrel Assembly



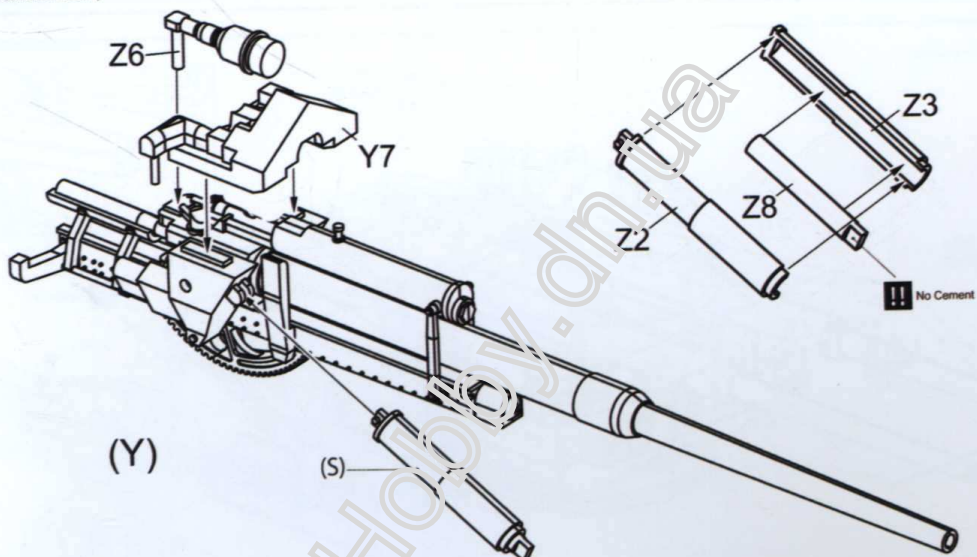
8 Flak 40 Gun Barrel Assembly



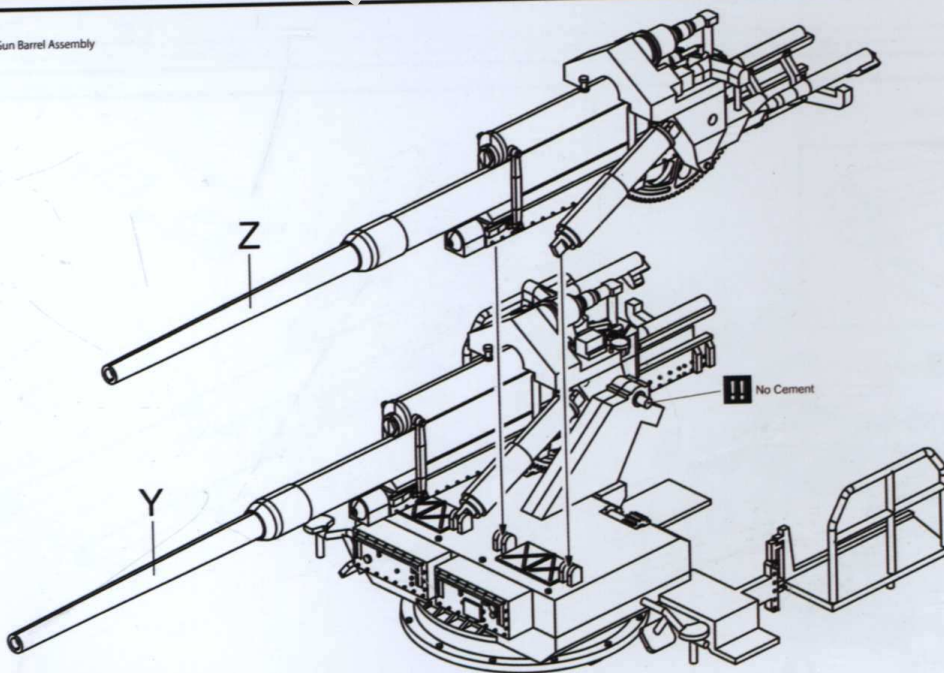
9 Flak 40 Gun Barrel Assembly



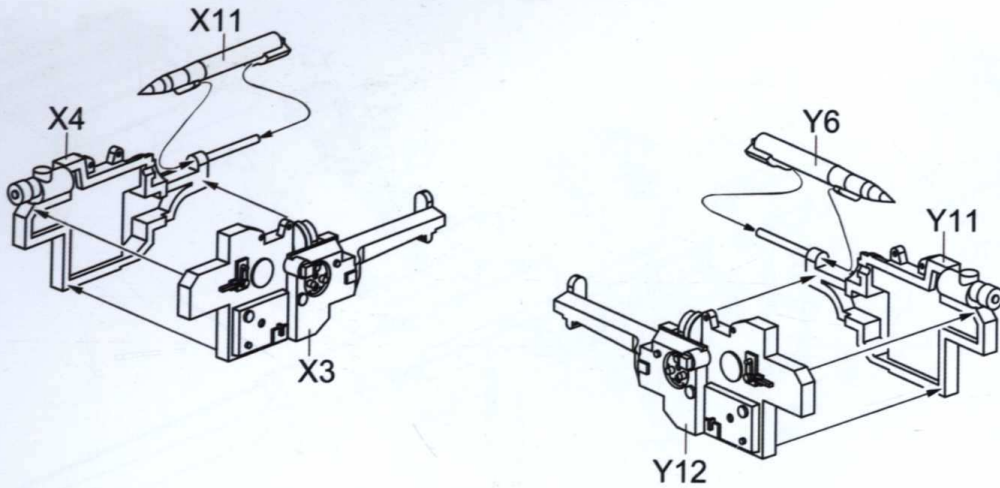
10 Flak 40 Gun Barrel Assembly



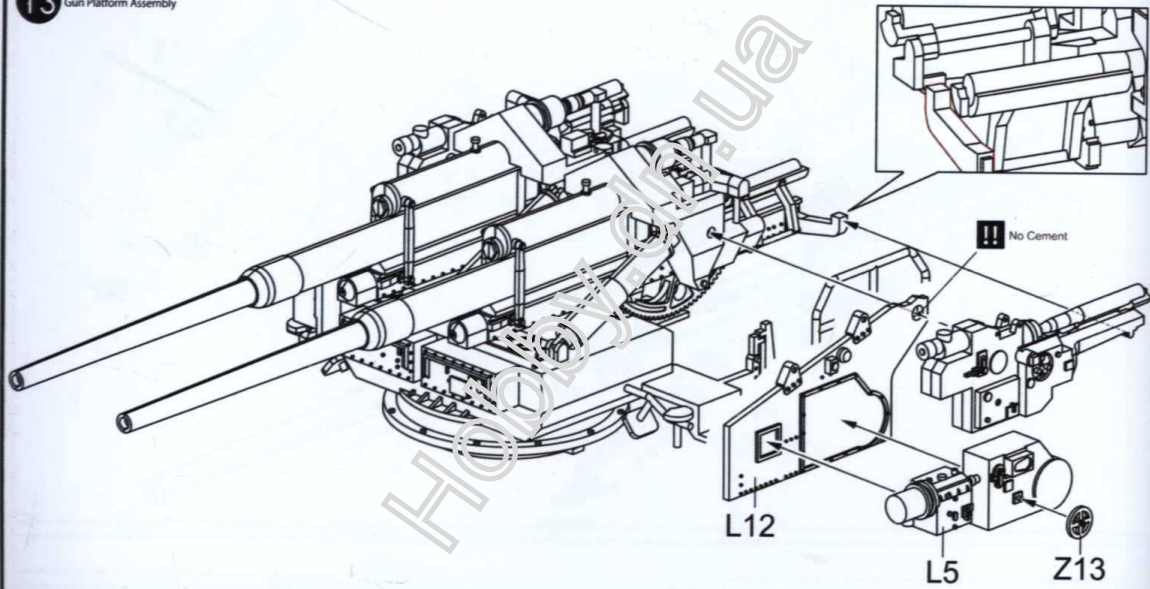
11 Flak 40 Gun Barrel Assembly



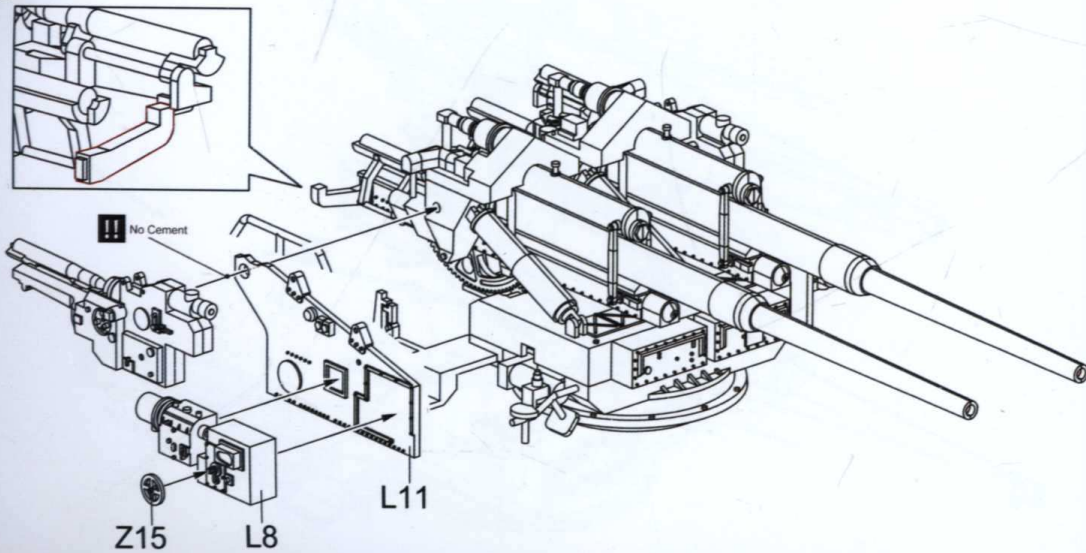
12 Gun Platform Assembly



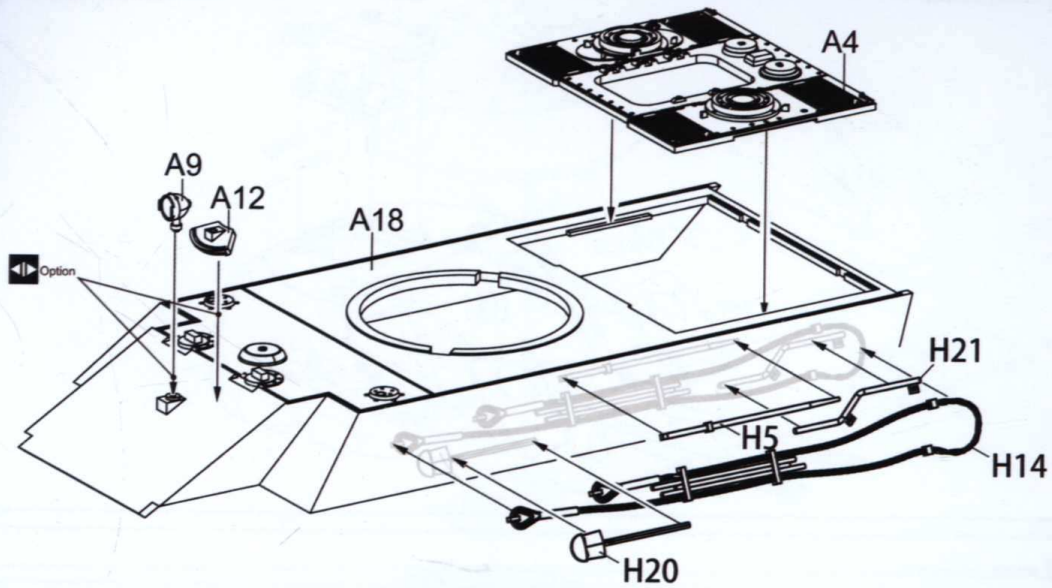
13 Gun Platform Assembly



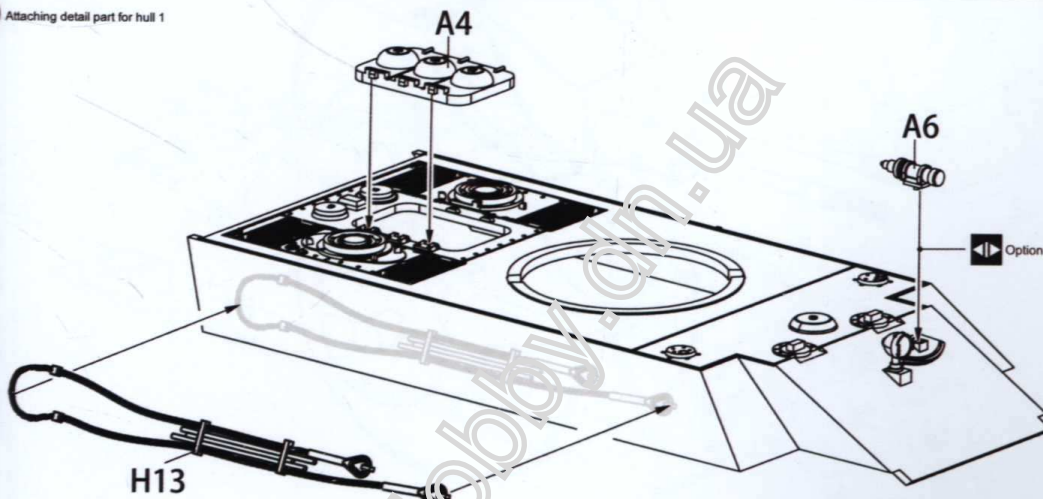
14 Gun Platform Assembly



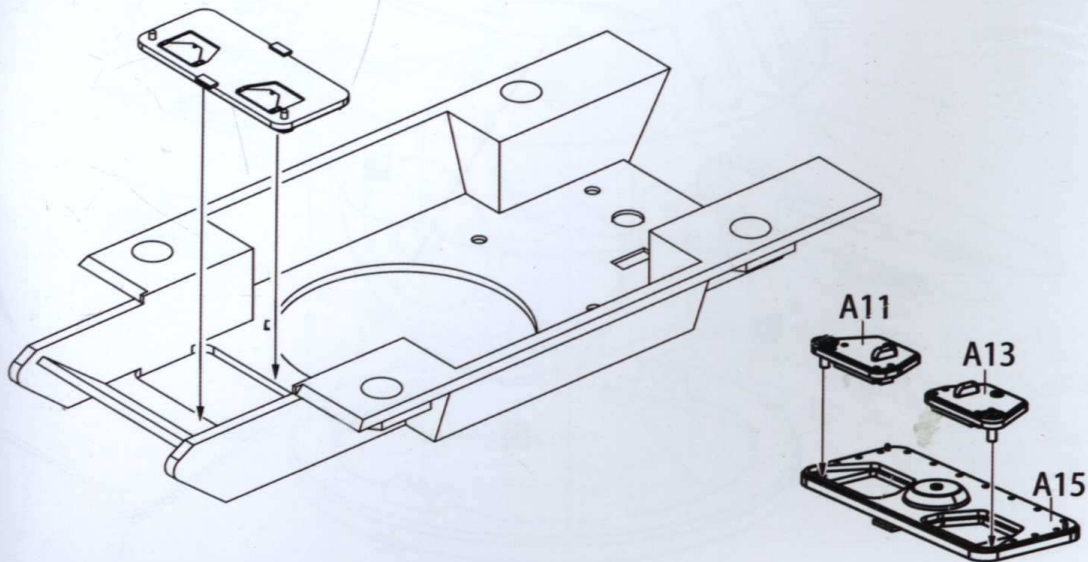
15 Attaching engine part for hull



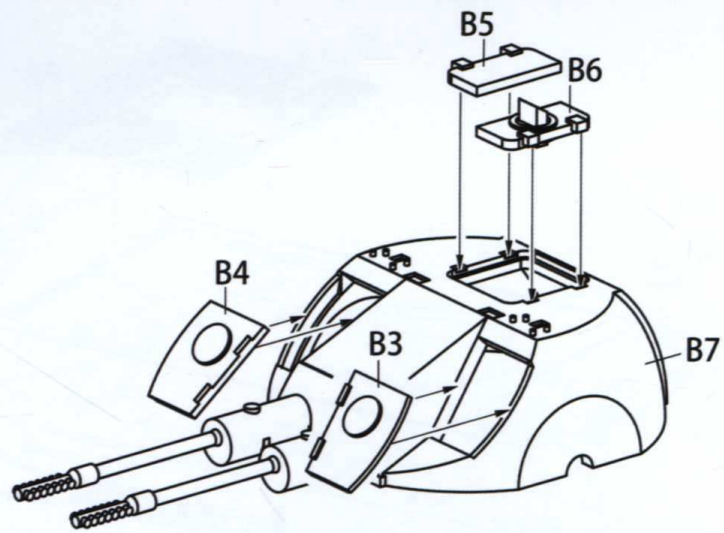
16 Attaching detail part for hull 1



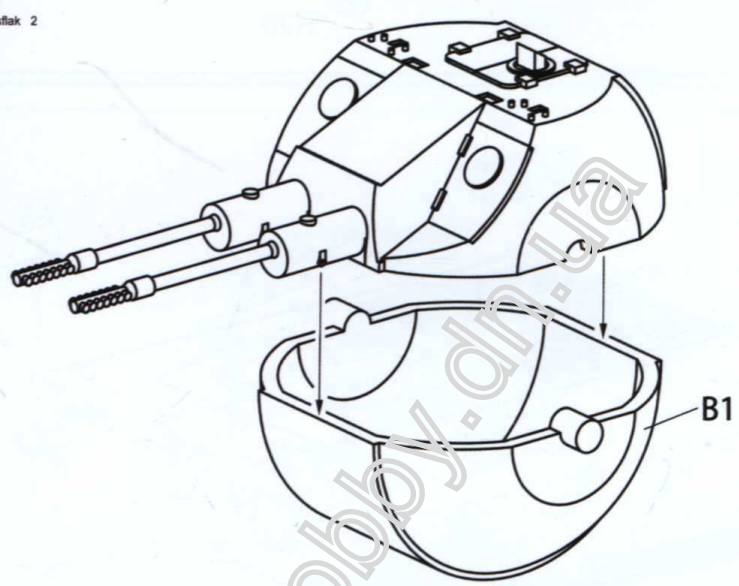
17 Attaching detail part for hull 2



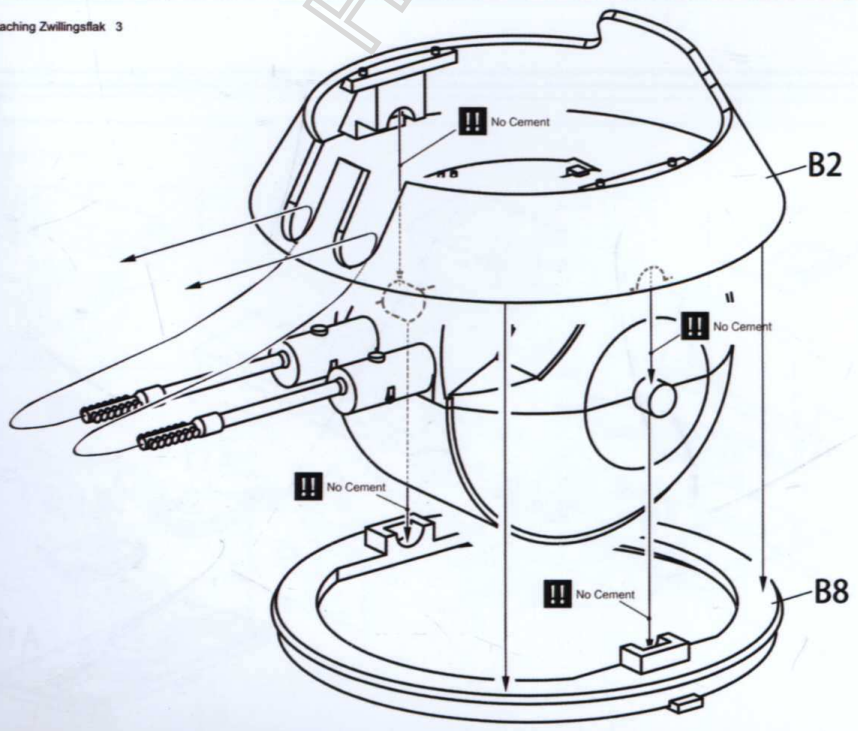
18 Attaching Zwillingsflak 1



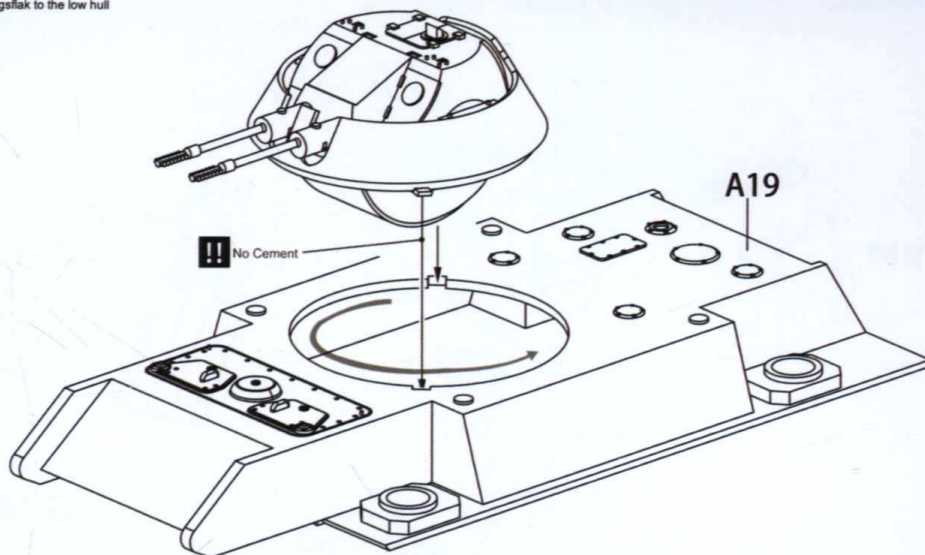
19 Attaching Zwillingsflak 2



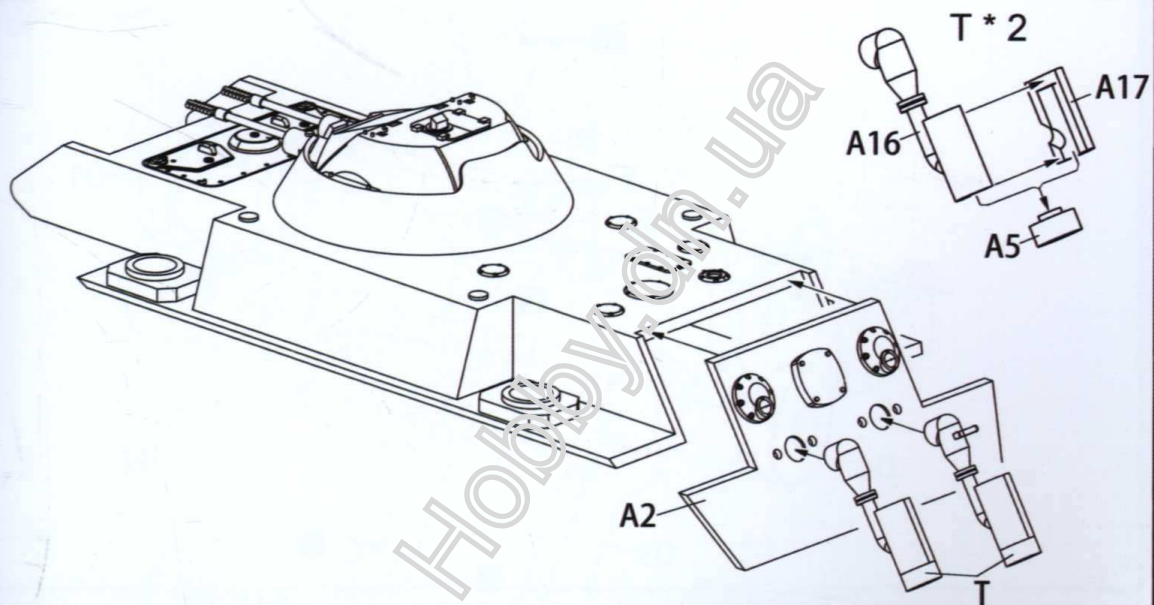
20 Attaching Zwillingsflak 3



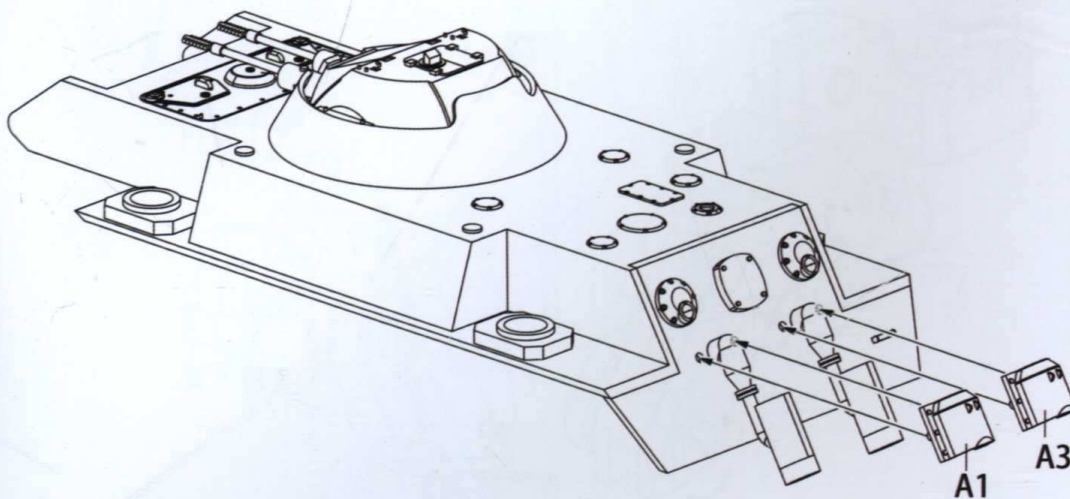
21 Attaching Zwillingflak to the low hull



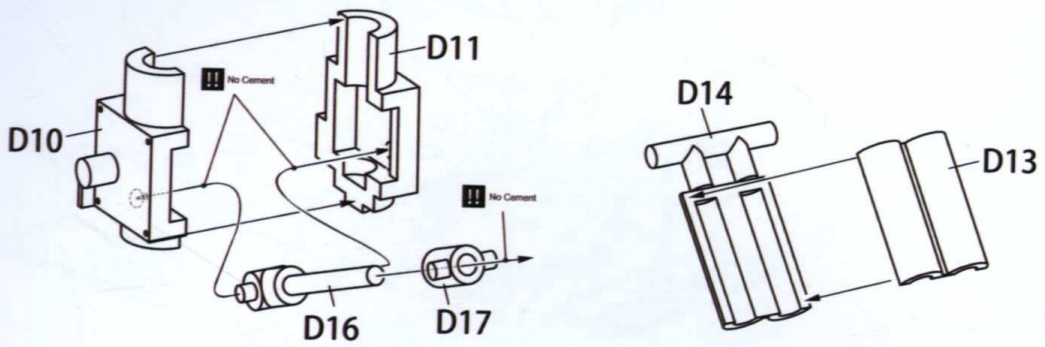
22 Attaching detail part for low hull 1



23 Attaching detail part for low hull 2

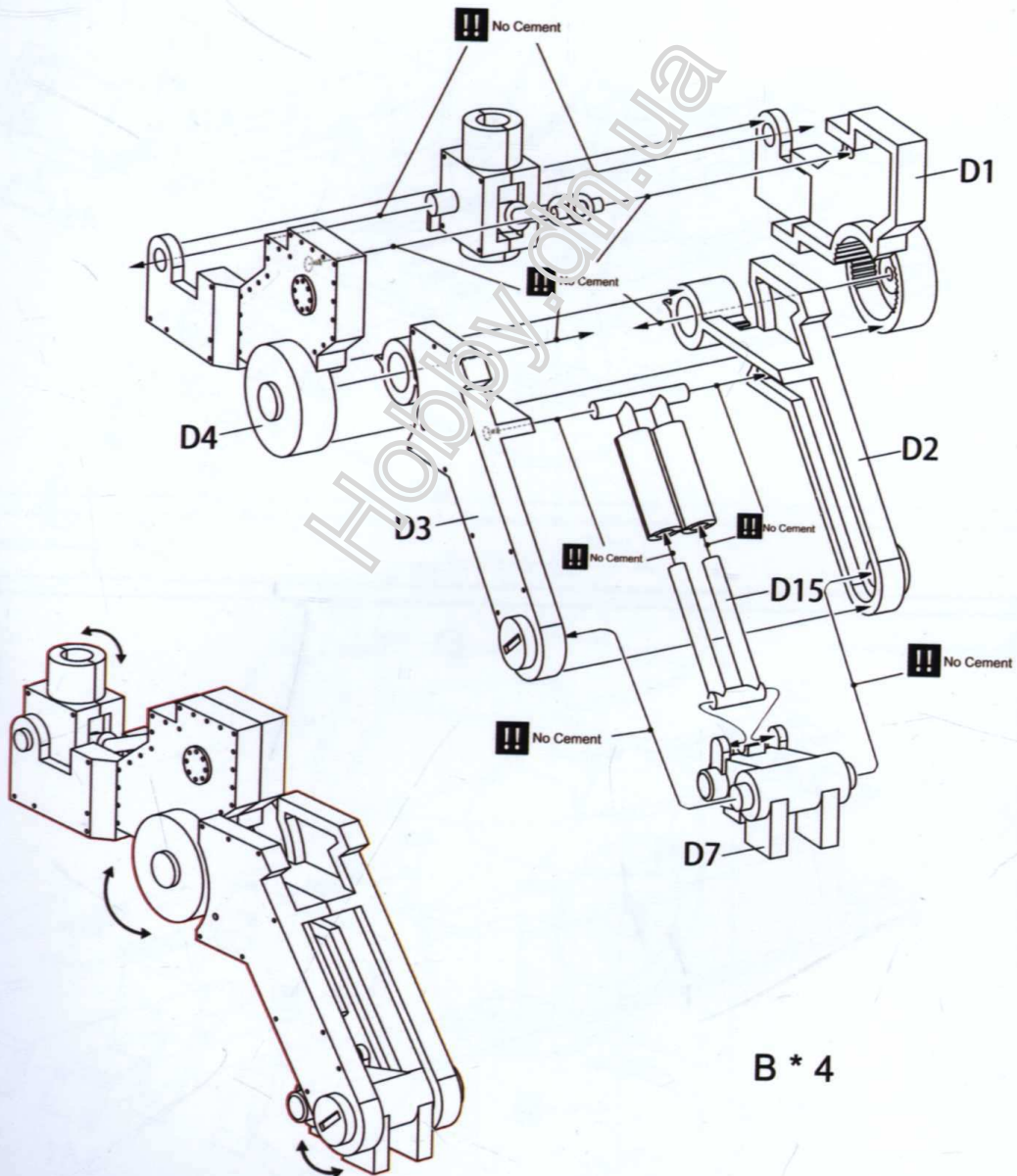


24 Attaching leg part 1



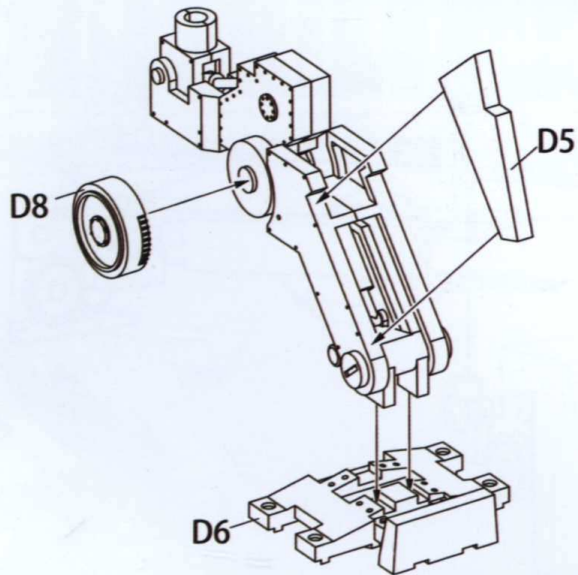
G * 4

25 Attaching leg part 2

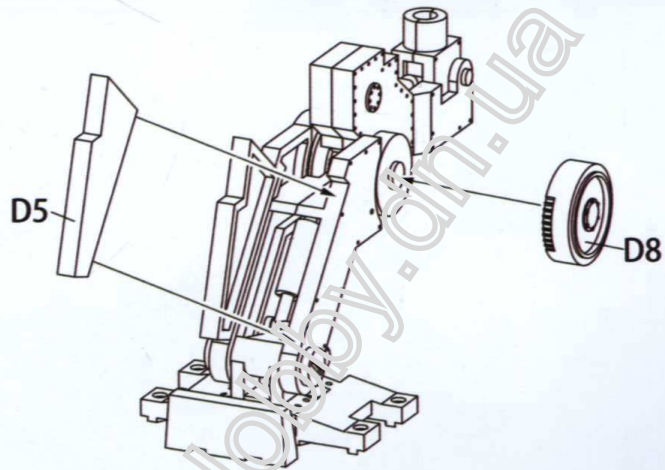


B * 4

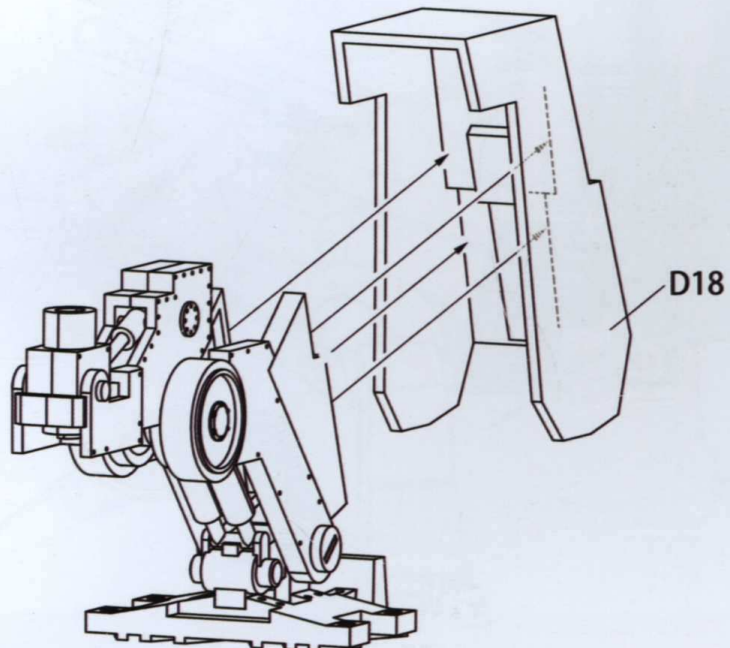
26 Attaching leg part 3



27 Attaching leg part 4

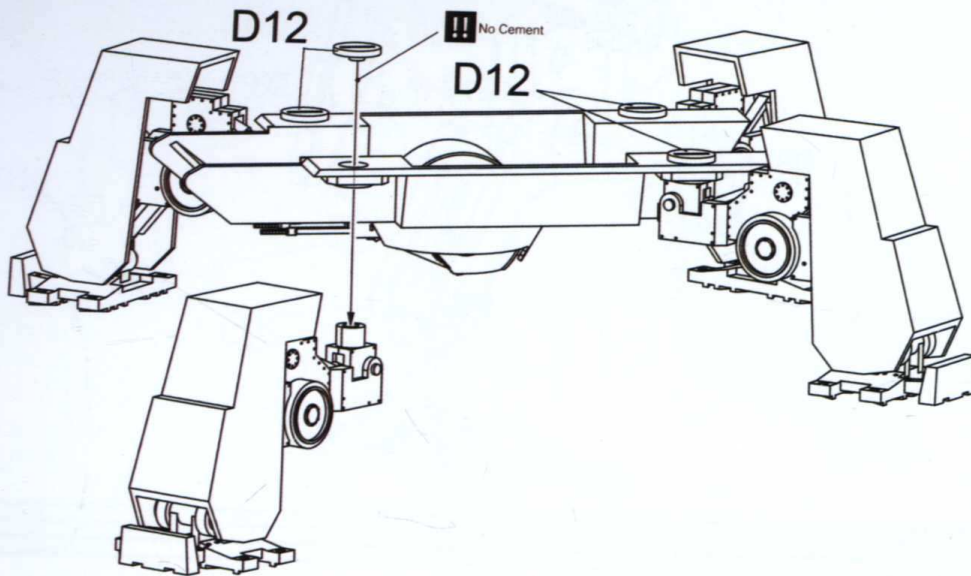


28 Attaching leg part 5

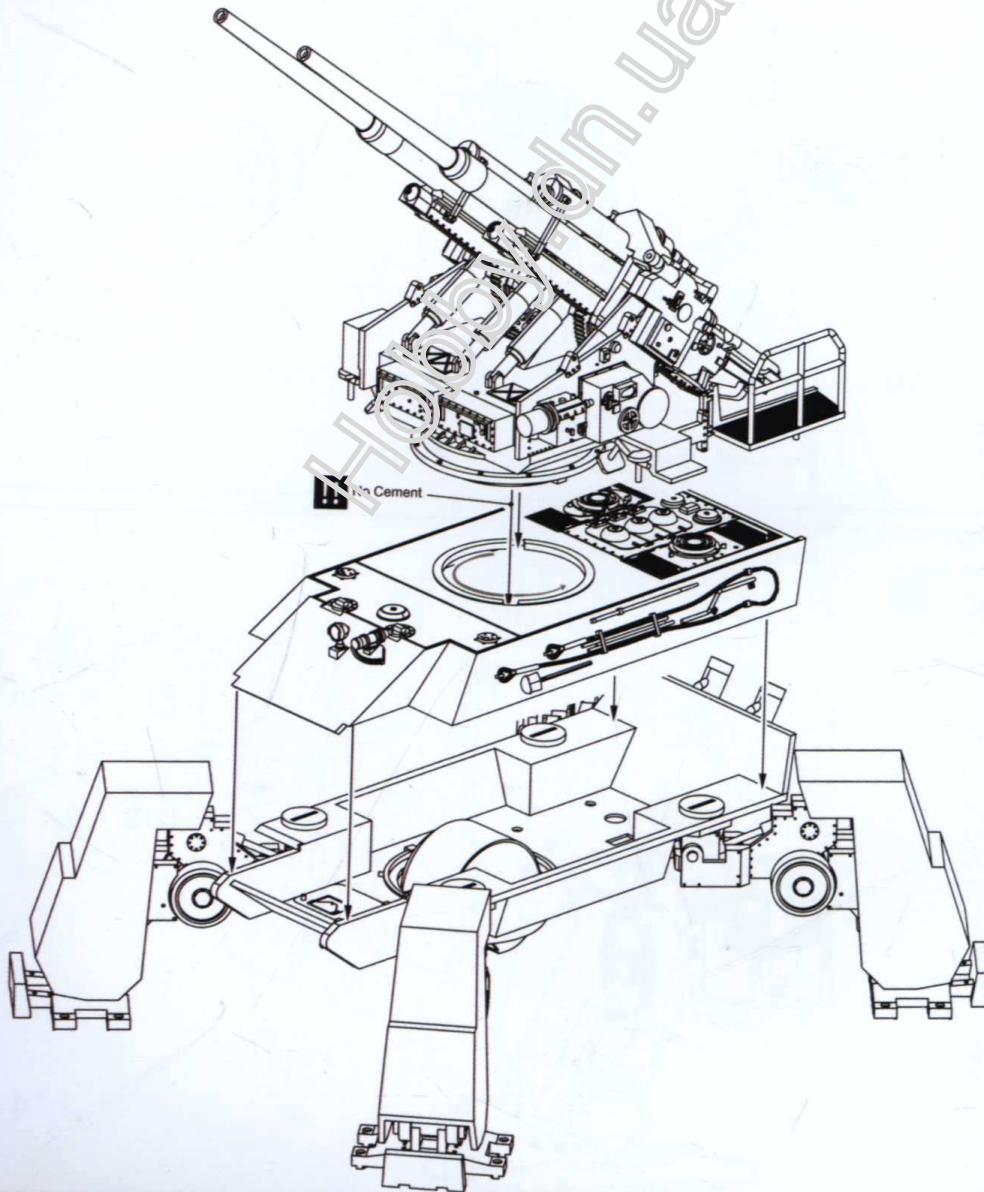


J*4

29 Attaching leg to low hull



30 Attaching turret, up hull and low hull



FIST OF WAR GERMAN E-75 128MM FLAK 40 ZWILLING

modelcollect

A.MIG 011 RAL 7025 DUNKELGELB AUS '44 DG I

A.MIG 014 RAL 8012 ROTBRAUN

A.MIG 003 RAL 8011 RESEDAGRÜN

A.MIG 008 Dark grey

A.MIG 045 GUN METAL

A.MIG 095 CRYSTAL SMOKE



MODELCOLLECT

Color info and profiles by



FIST OF WAR GERMAN E-75 128MM FLAK 40 ZWILLING

modelcollect

A.MIG 011 RAL 7028 DUNKELGELB AUS '44 DG1

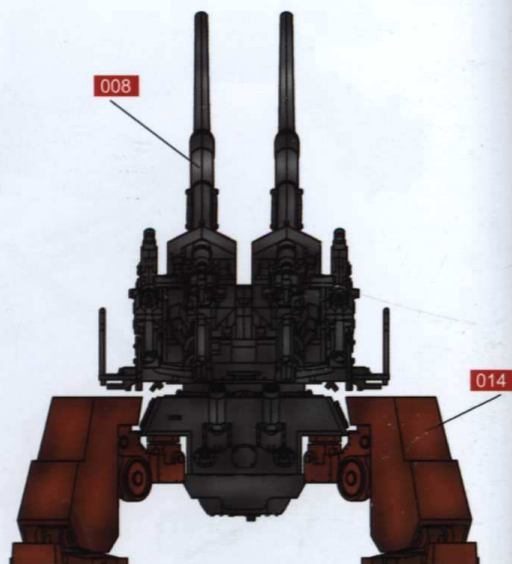
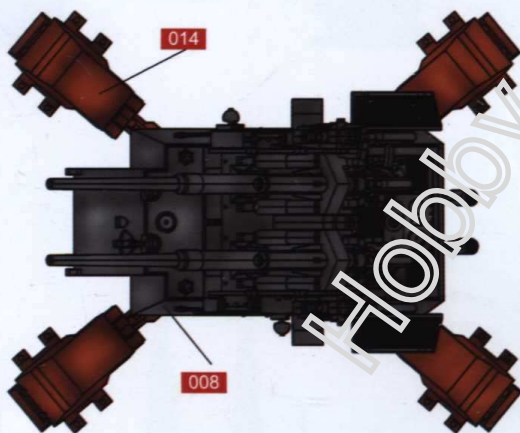
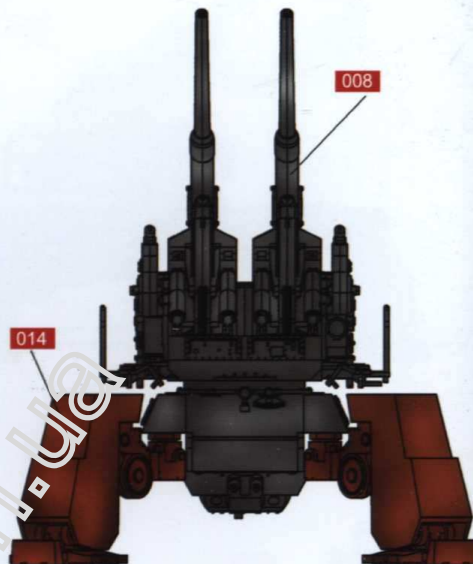
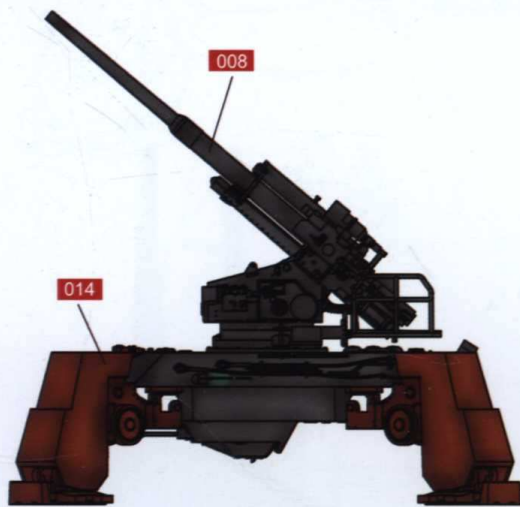
A.MIG 014 RAL 8012 ROTBRAUN

A.MIG 003 RAL 8011 RESEDAGRÜN

A.MIG 008 Dark grey

A.MIG 045 GUN METAL

A.MIG 095 CRYSTAL SMOKE



MODELCOLLECT

Color info and profiles by

