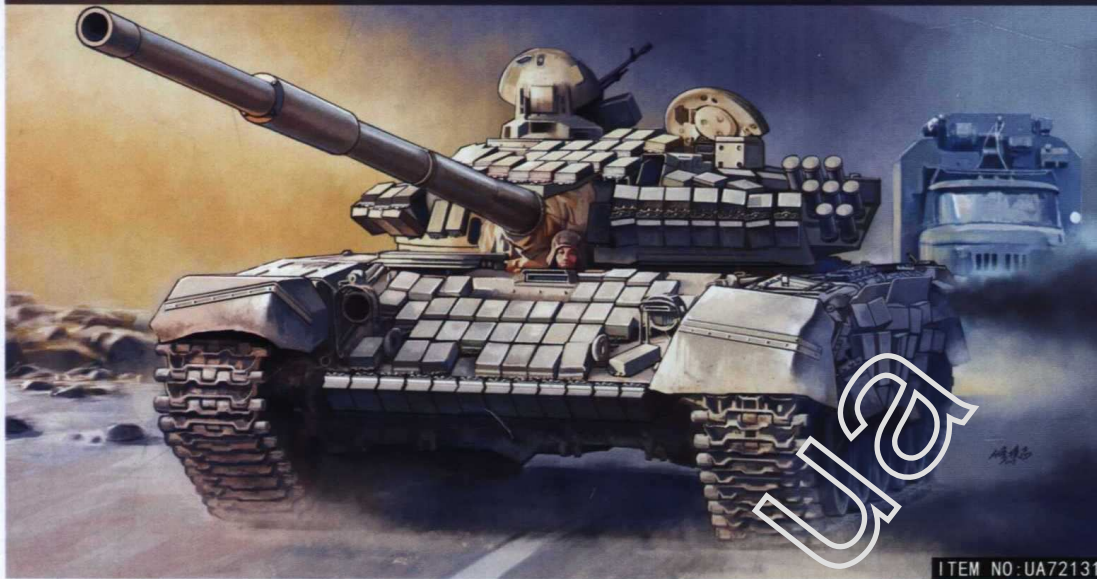


T-72 SIM1 MAIN BATTLE TANK



ITEM NO: UA72131

T-72AV is add the Kontakt-1 explosive reactive armour fitted to hull front and turret on T-72A. T-72A is an improved version of the basic T-72 "Ural". Overall, its offensive capabilities are similar to the basic T-72 "Ural", but it is much better protected. The differences between T-72 "Ural" and T-72A include the searchlight being placed on the right hand side of turret, the TPD-2-49 coincidence optical rangefinder being replaced by the TPD-K1 laser rangefinder, added plastic armour track skirts covering the upper part of the suspension with separate panels protecting the sides of the fuel and storage panniers instead of the flipper type armor panels used in T-72 "Ural", the turret front and top being heavily reinforced with composite armour better known by its US codename - "Dolly Parton", provisions for mounting reactive armor, an electronic fire control system, MB smoke grenade launchers, flipper armour mount on front mudguards, internal changes, and a slight weight increase.

Specifications

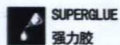
Weight	41.5 tonnes (45.7 short tons)
Length	9.53 m (31 ft 3 in) gun forward
	6.95 m (22 ft 10 in) hull
Width	3.59 m (11 ft 9 in)
Height	2.23 m (7 ft 4 in)
Crew	3
Armour steel and composite armour	
Main armament	125 mm 2A46M/2A46M-5[3] smoothbore gun
Secondary armament	7.62 mm PKT coax machine gun 12.7 mm NSVT antiaircraft machine gun
Engine	V-12 diesel 780 hp (582 kw)
Power/weight	18.8 hp/t
Transmission	Synchromesh hydraulically assisted, with 7 forward and 1 reverse gears.
Suspension	Torsion bar
Ground clearance	0.49 m (19 in)
Fuel capacity	1,200 L (320 U.S. gal; 260 imp gal)
Operational range	460 km (290 mi), 700 km (430 mi) with fuel drums
Speed	60 km/h (37 mph)

●READ BEFORE ASSEMBLY

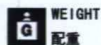
1. When you use glue or paint, do not near flame, and use in a well-ventilated room.
2. Take extra care in handling photo-etch parts in order to avoid injury.
3. When you take parts off the runner frame, use modeling scissors and trim excess plastic with a cutter or file.
4. Glue and paint are not included.
5. This product is only suitable for experienced more than 14 years old.

●装配之前仔细阅读:

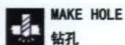
1. 勿於近火处使用胶水或油漆, 并 打开窗户保持空气流通。
2. 取蚀刻片时应特别注意安全, 防止利边划伤手指。
3. 从胶架中取出部件时, 应用模型专用剪, 并用界刀或小锥除去多余的胶料。
4. 请使用塑料胶水和油漆, 模型内不含。
5. 本产品不适合14岁以下没有经验的模型爱好者。



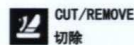
SUPERGLUE
强力胶



WEIGHT
配置



MAKE HOLE
钻孔



CUT/REMOVE
切除



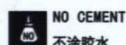
BEND
弯曲



FILE/SAND
挫平



OPTION
选择



NO CEMENT
不涂胶水



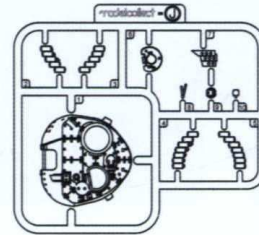
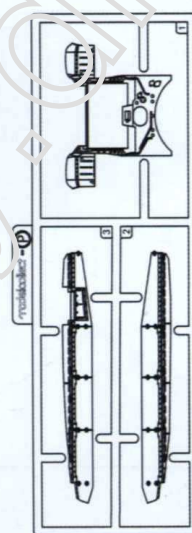
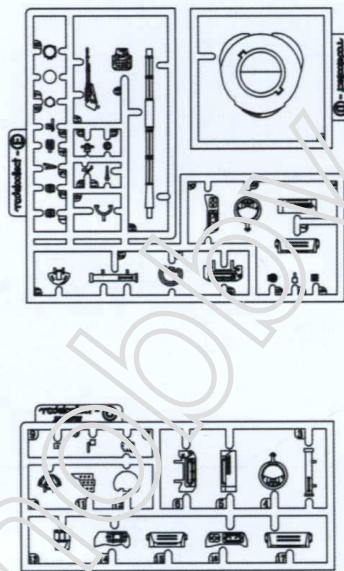
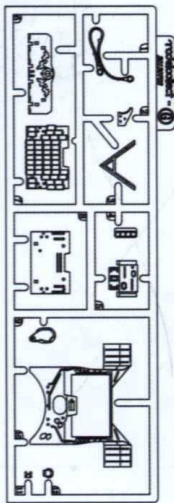
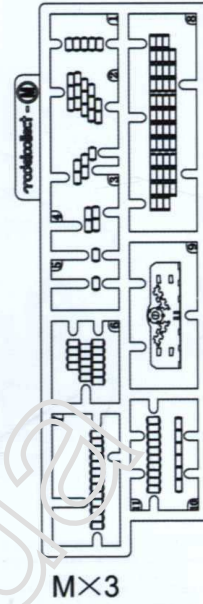
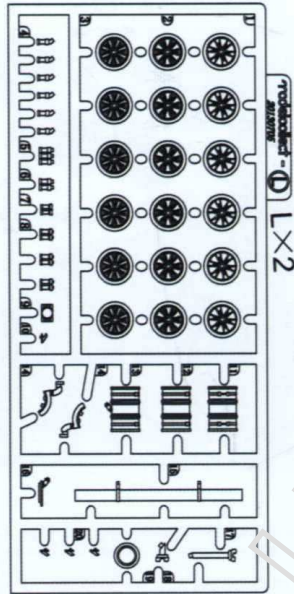
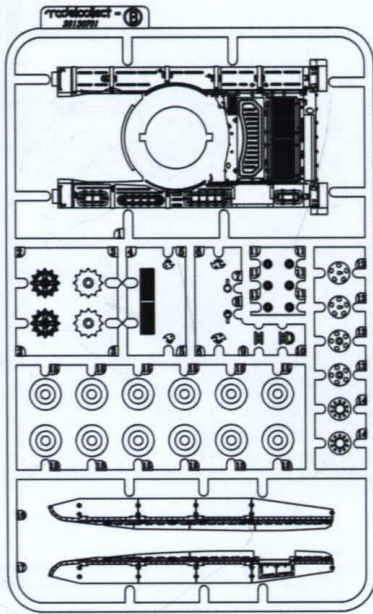
DECAL
贴纸

DECAL APPLICATION

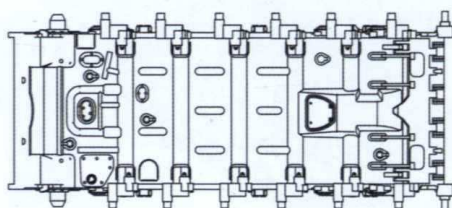
1. Cut off decal from sheet.
2. Dip the decal in tepid water 40° C for about 10 sec. and place on a clean cloth.
3. Hold the backing sheet edge and slide decal onto the model.
4. Move decal into position by wetting decal with finger.
5. Press decal gently down with a soft cloth until excess water and air bubbles are gone.

水贴纸的使用:

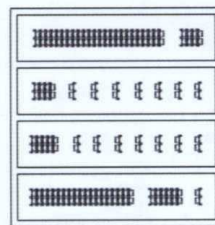
1. 从水贴纸上剪下印花。
2. 将印花放入温水中浸10秒, 然后放在干净布上。
3. 拿着印花纸板将印花移到模型上。
4. 手指蘸水将印花移到适当的位置。
5. 用软布轻压印花直至不干, 气泡消失。



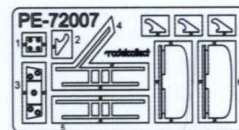
Decal



Metal bottom of the vehicle

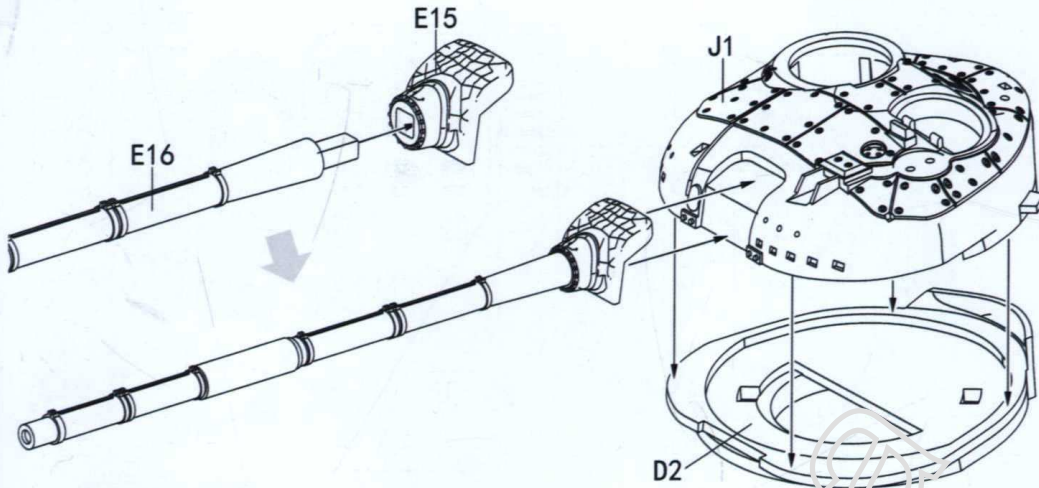


Track X 2

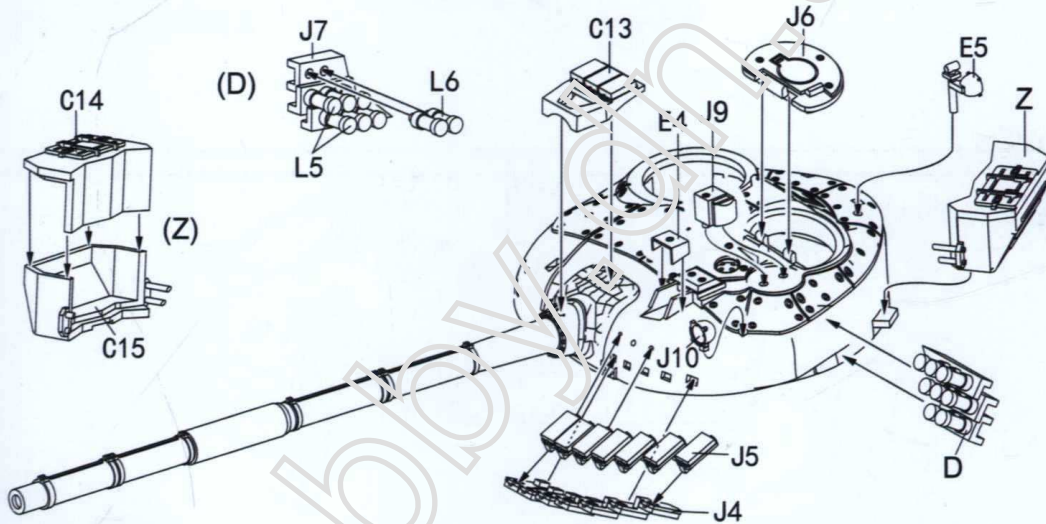


PE-72007

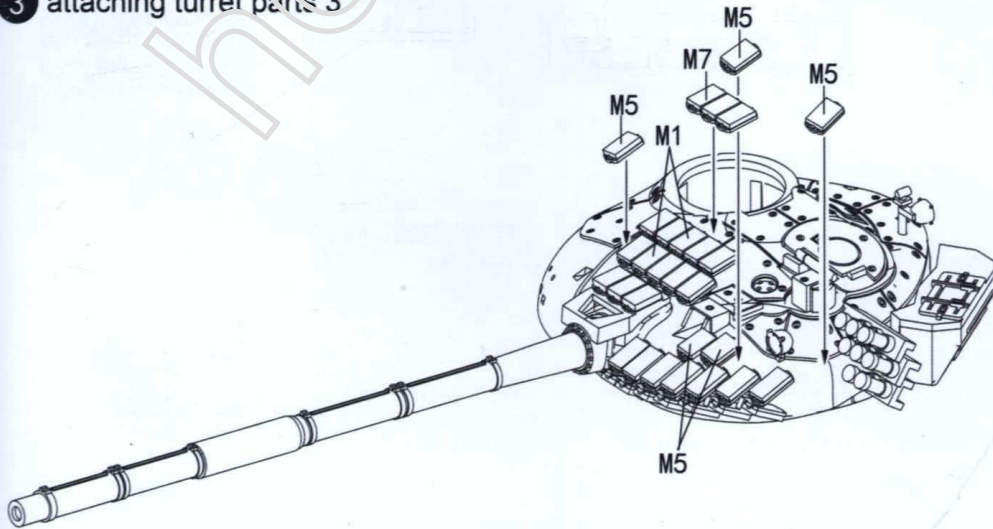
1 attaching turret parts 1



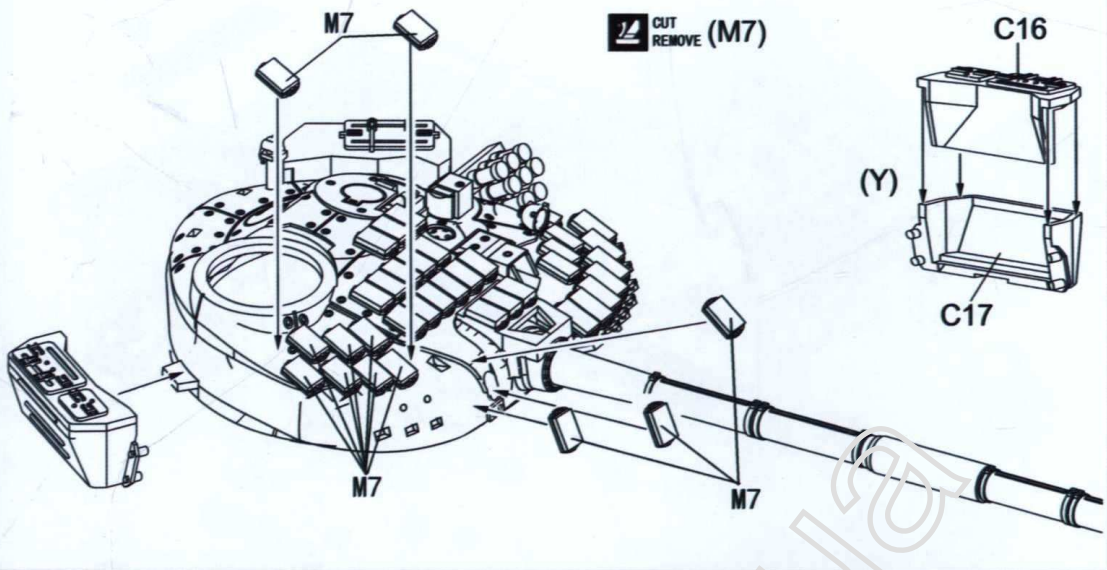
2 attaching turret parts 2



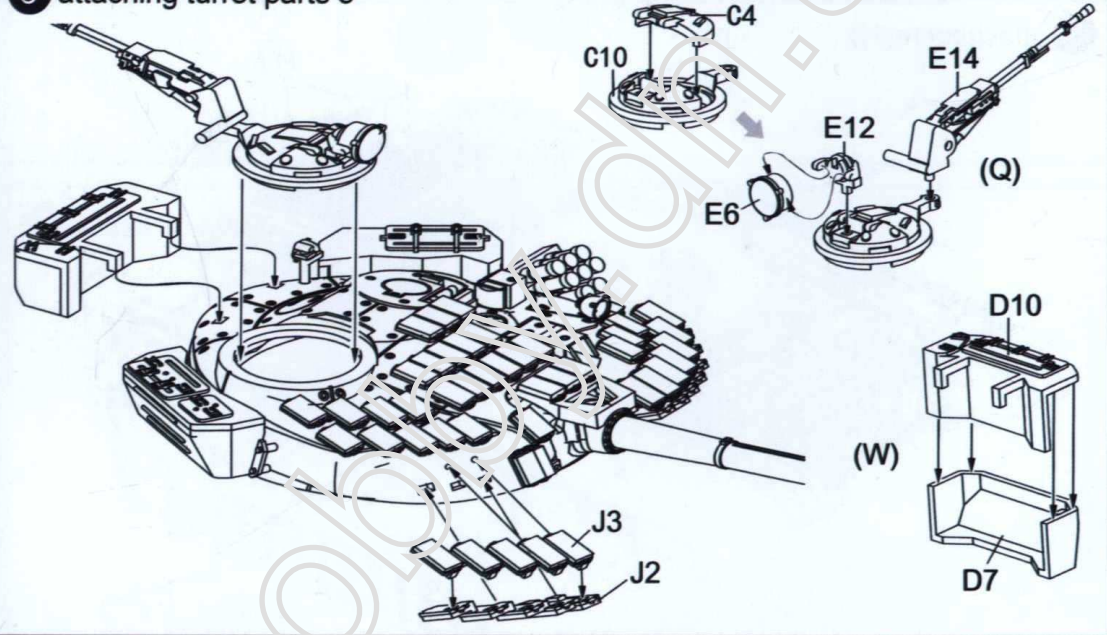
3 attaching turret parts 3



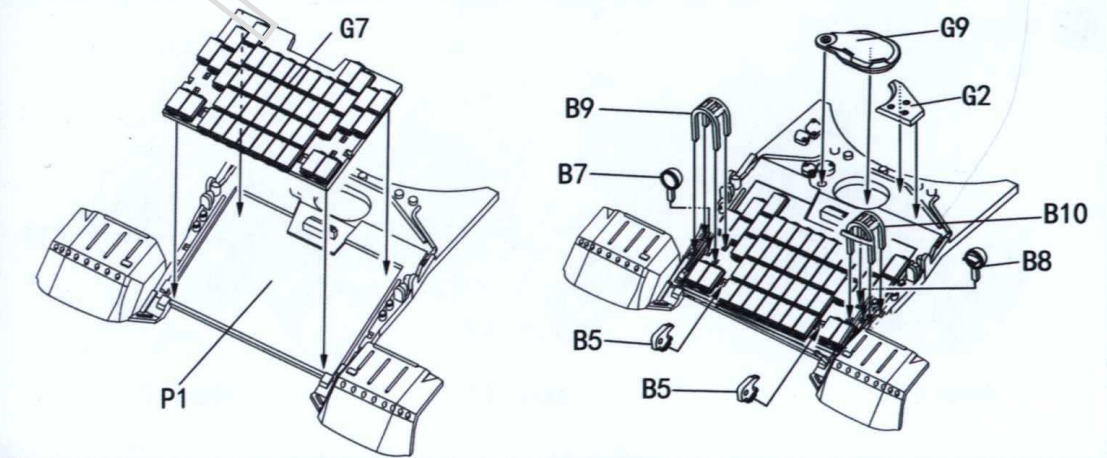
4 attaching turret parts 4



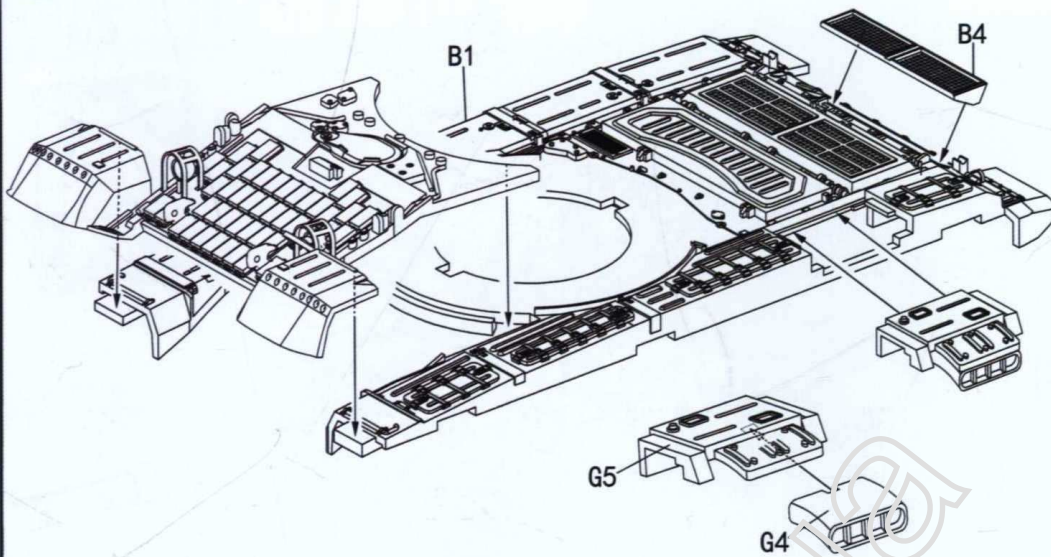
5 attaching turret parts 5



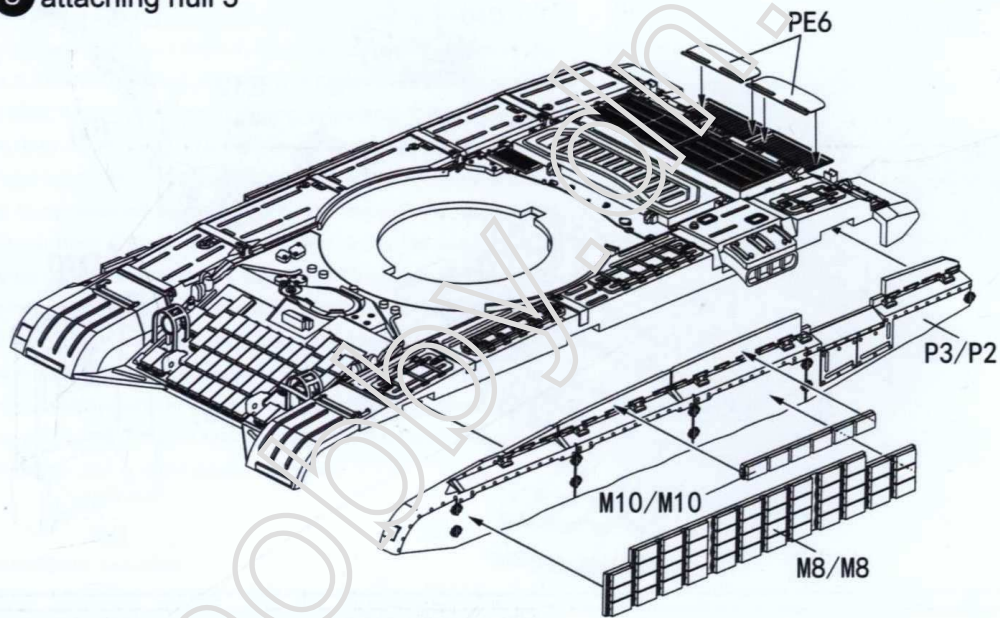
6 attaching hull 1



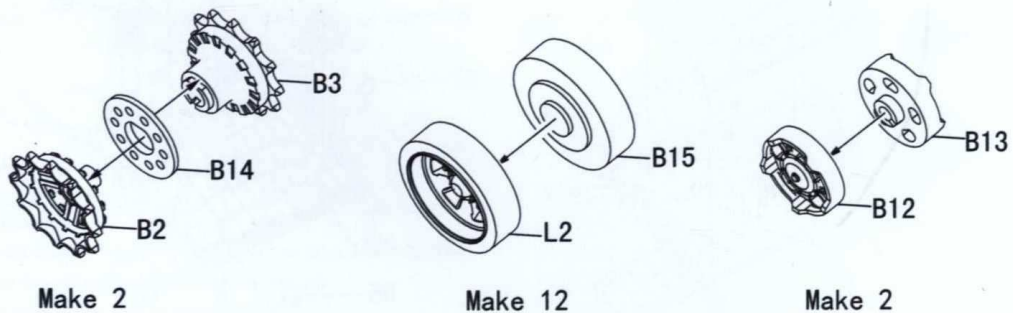
7 attaching hull 2



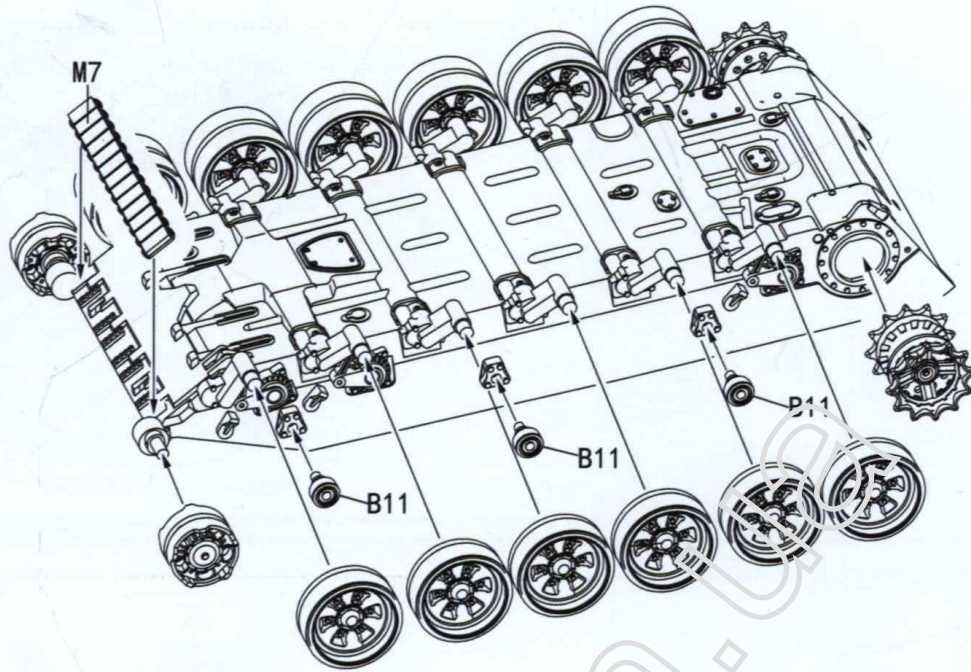
8 attaching hull 3



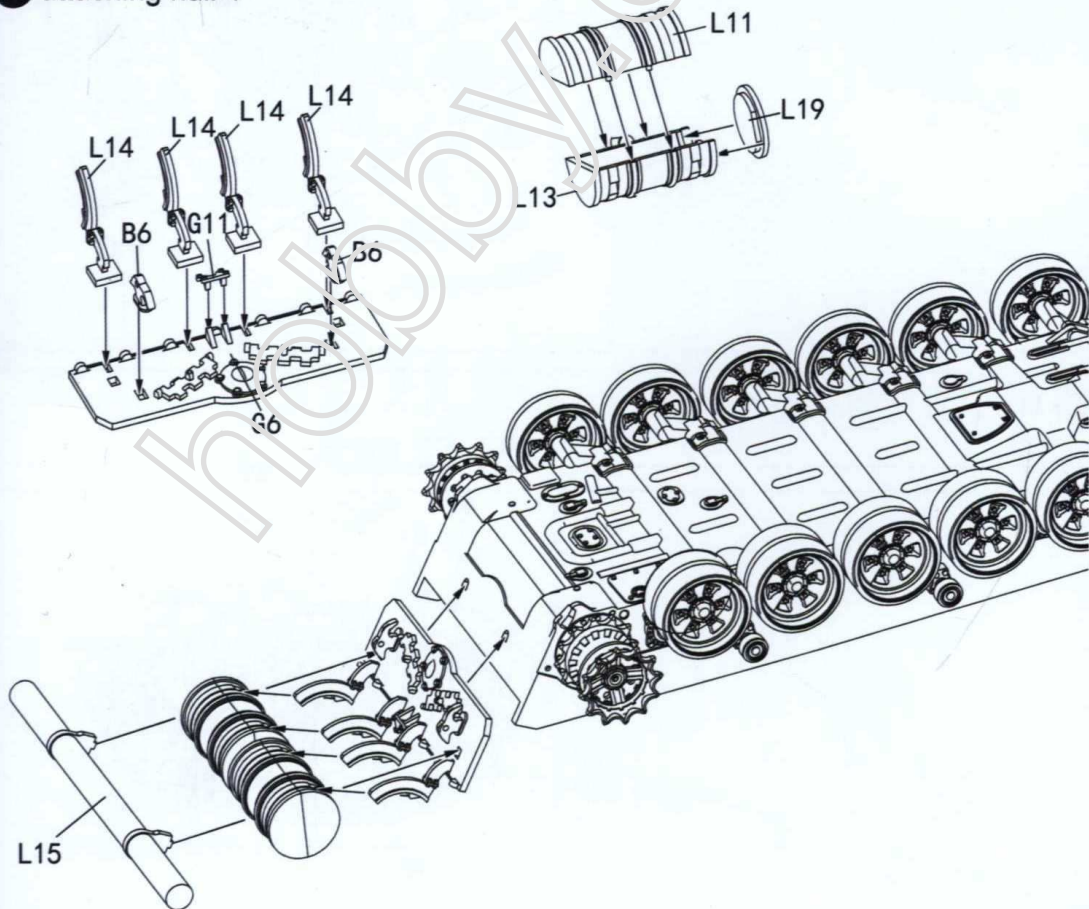
9 attaching wheels 1



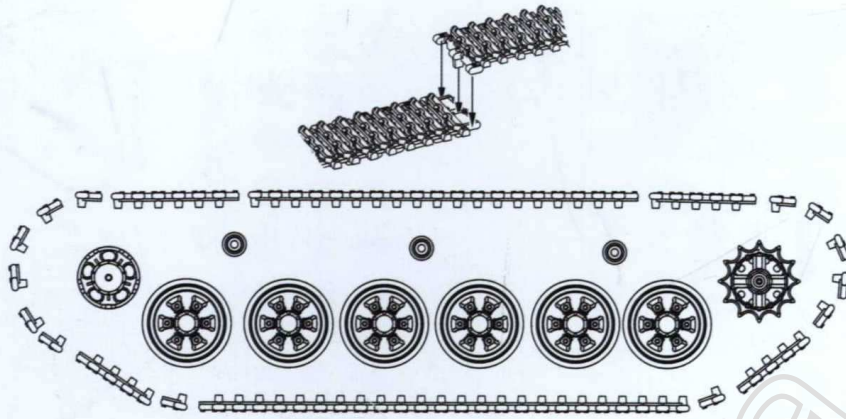
10 attaching wheels 2



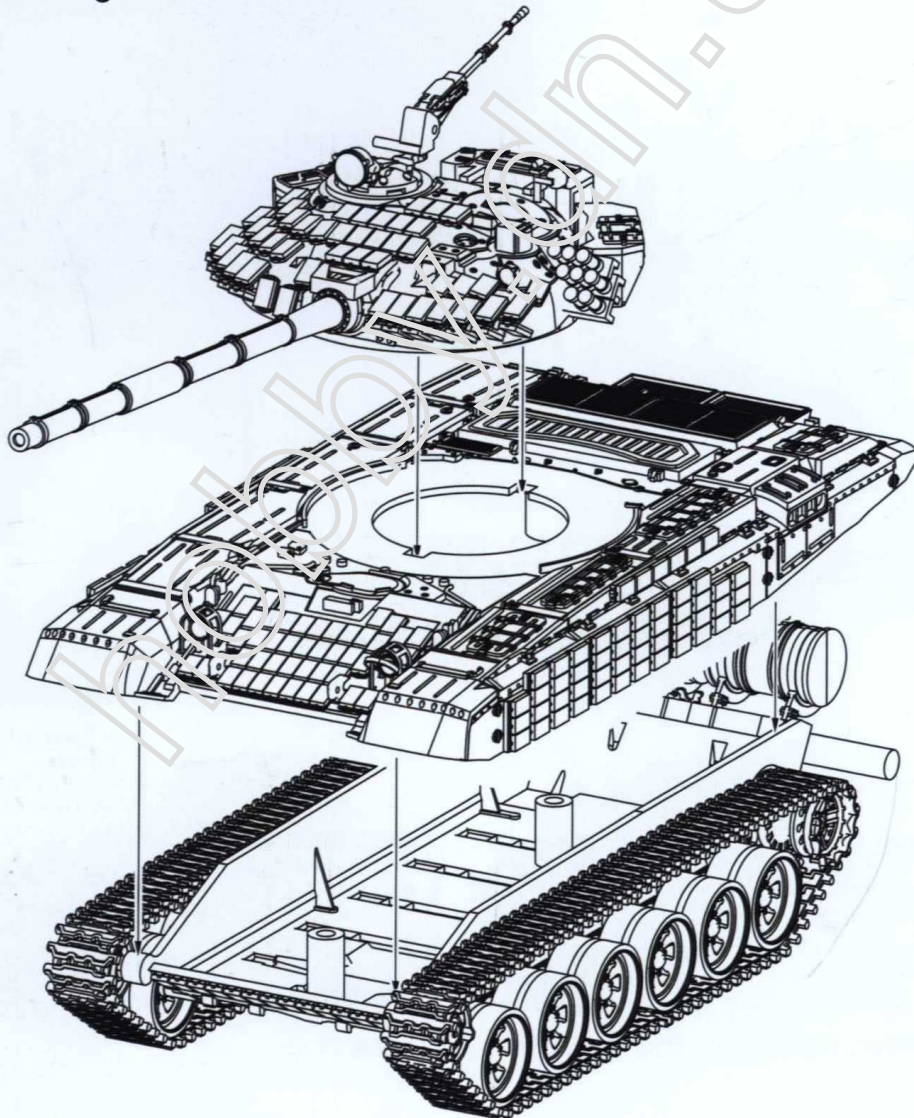
11 attaching hull 4



12 attaching tracks



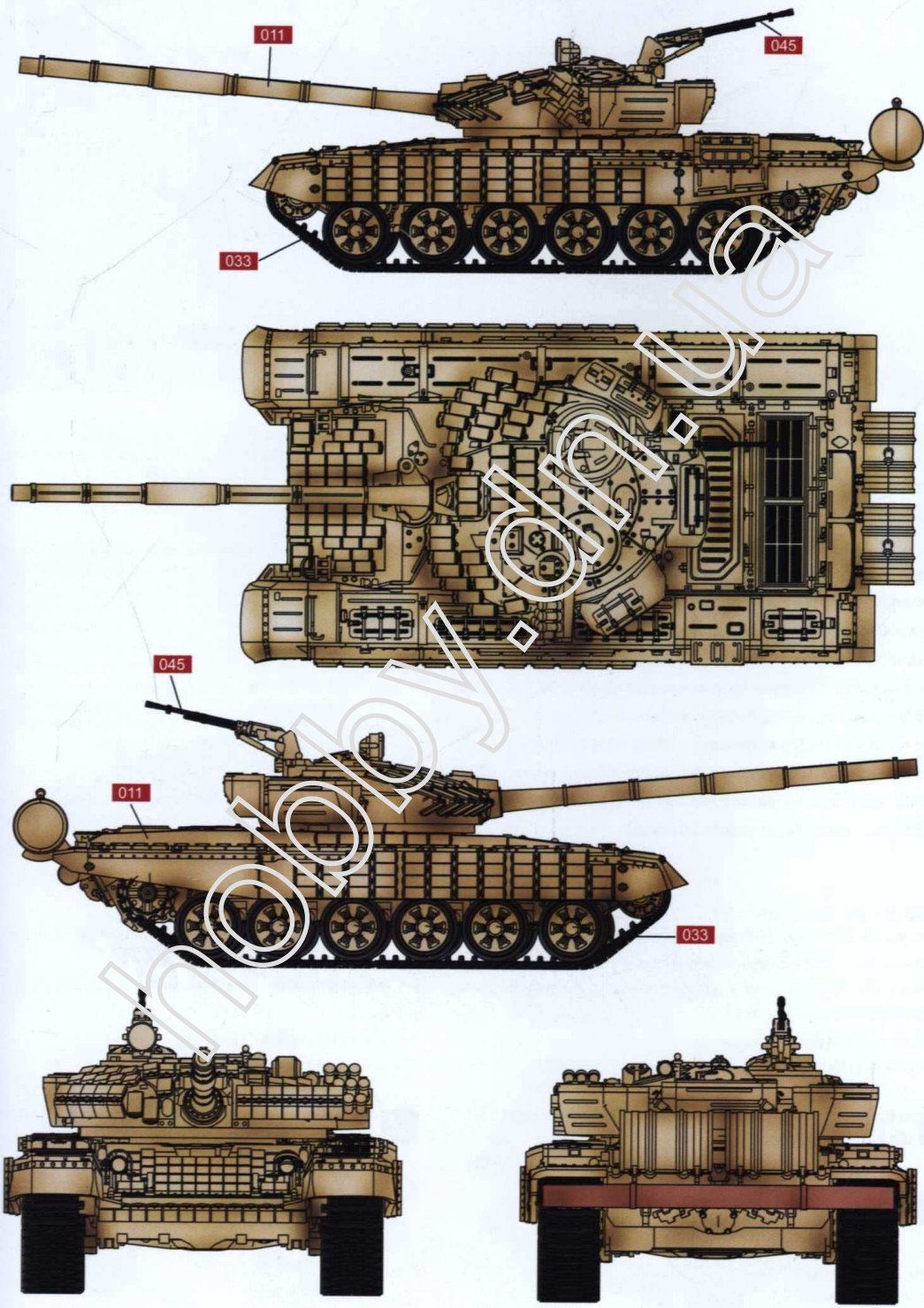
13 attaching hull and turret



T-72 SIM1 MAIN BATTLE TANK

modelcollect

A.MIG 011	RAL 7028 DUNKELGELB AUS '44 DG I	A.MIG 915	Dark Green	A.MIG 008	RAL 7021 DUNKELGRAU	A.MIG 032	Satin Black	A.MIG 037	NEW WOOD	A.MIG 911	GREY SHINE
A.MIG 014	RAL 8012 ROTBRAUN	A.MIG 033	Rubber & Tires	A.MIG 042	OLD RUST	A.MIG 045	Gun Metal	A.MIG 012	RAL 7028 DUNKELGELB AUS '44 DG III		



MODELCOLLECT

Color info and profiles by

