



# USER MANUAL

产品安装说明书

## PH 35038



1/35 scale

# M1 IP Abrams MBT

M1 IP “艾布拉姆斯” 主戰坦克

### READ BEFORE ASSEMBLY

组装前请仔细阅读

1. Study and understand these instructions thoroughly before beginning assembly  
组装前请仔细阅读以下内容
2. When needed, remove photo-etch parts carefully using a modeling knife or photo etch sprue cutter, be careful not to damage or lose small parts  
请使用专业模型工具仔细去除蚀刻片或胶件上需要剪下的部分，小心不要损坏或丢失
3. Take extra care in handling photo etch parts in order to avoid injury  
在处理蚀刻片的部分时请格外小心，以避免伤害
4. Apply instant cement sparingly to photo etch parts were instructed  
用强力快干胶水粘合蚀刻片零件和金属轴，过量使用快干胶水可能导致可动零件粘住，小心涂胶
5. Tools recommended(not included in kit): Plastic and instant cements, sprue cutters, long nose pliers, modeling knife, small files, tweezers, pin vise & scissors. Soft cloth and sandpaper will also assist in construction  
推荐模型工具(自备): 胶水、水口剪刀、长咀钳、刀片、锉刀、镊子、钳、钻、剪刀、瞬间快干胶
6. Glue and paint are not included in the kit. Use plastic cement and hobby paints only. Color guide for purchasing paint is included in the kit.  
软布与砂纸同时也应该是必备工具，请使用塑料胶水和油漆(模型内不含)

### ICON INSTRUCTION

图标说明



Optional  
选择



Bending  
折弯



Do not stick  
不涂胶水



Decal  
水贴纸



Remove  
切除



Drilling  
钻孔



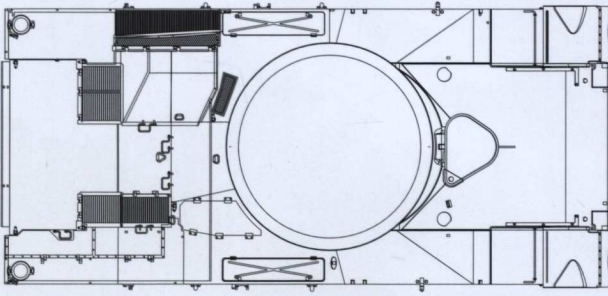
Fill  
填补



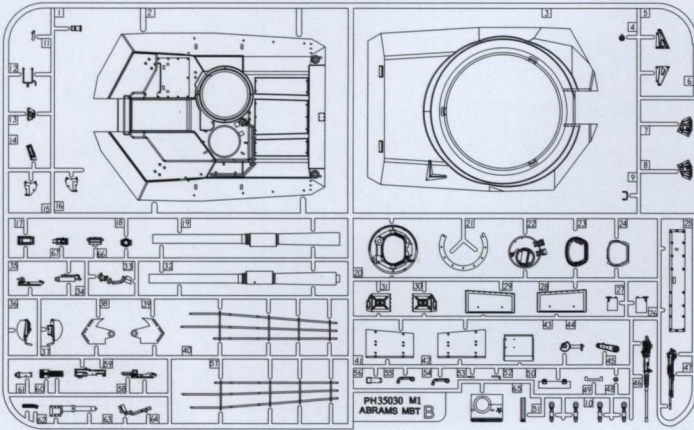
Weight  
配重



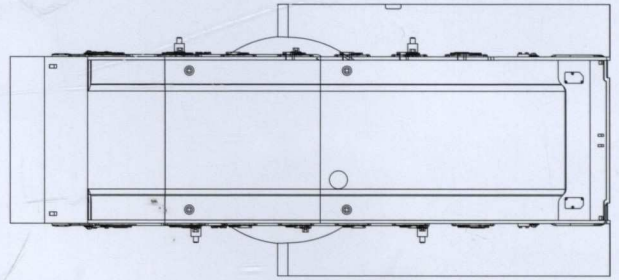
车面 Upper hull



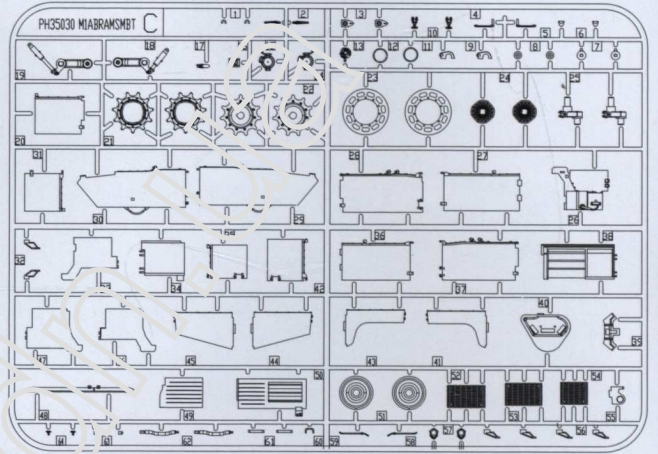
B



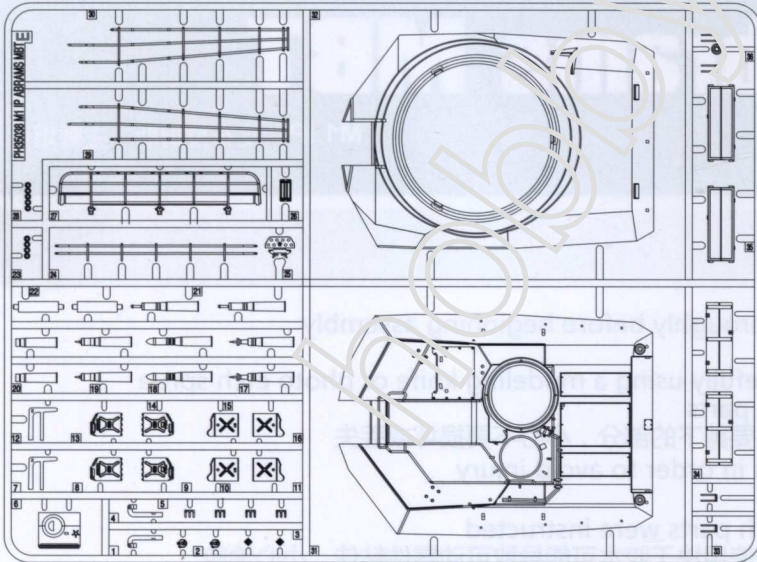
车底 Lower hull



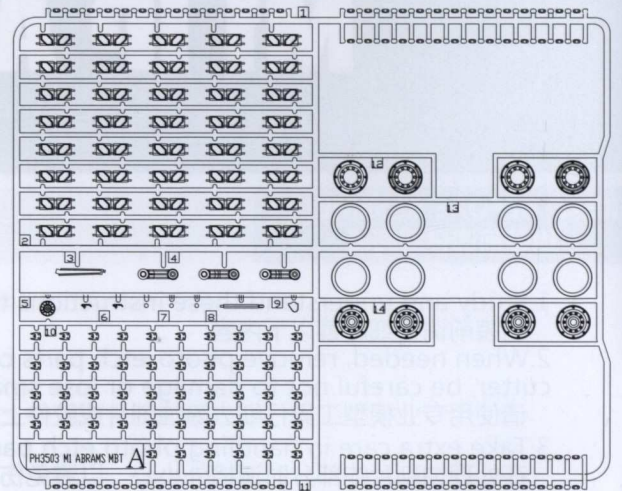
C



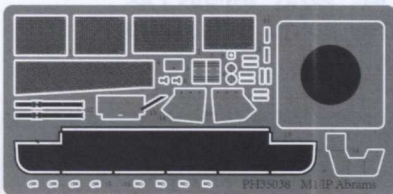
E



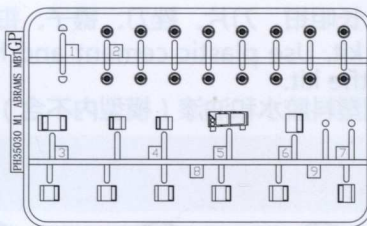
Dx4



PE  
蚀刻片



GP  
透明件



Decal  
水贴



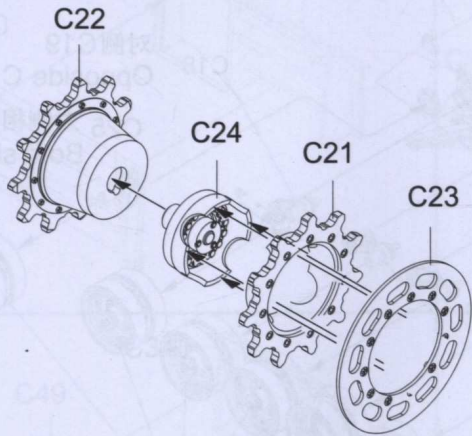
铜缆  
Brass wire





ASSEMBLY  
模型组装

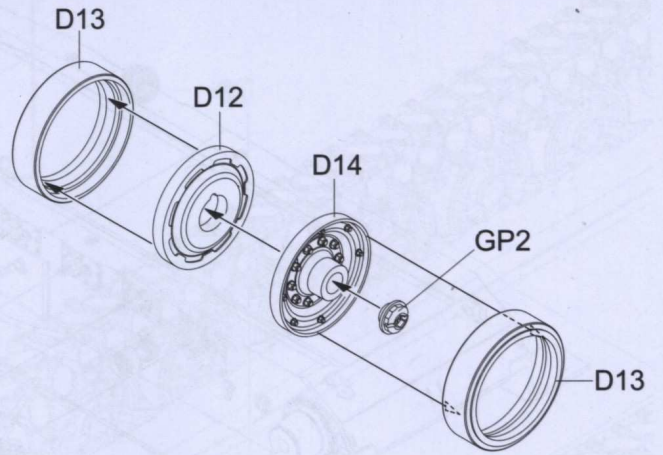
1



制作2套  
Make two

ASSEMBLY  
模型组装

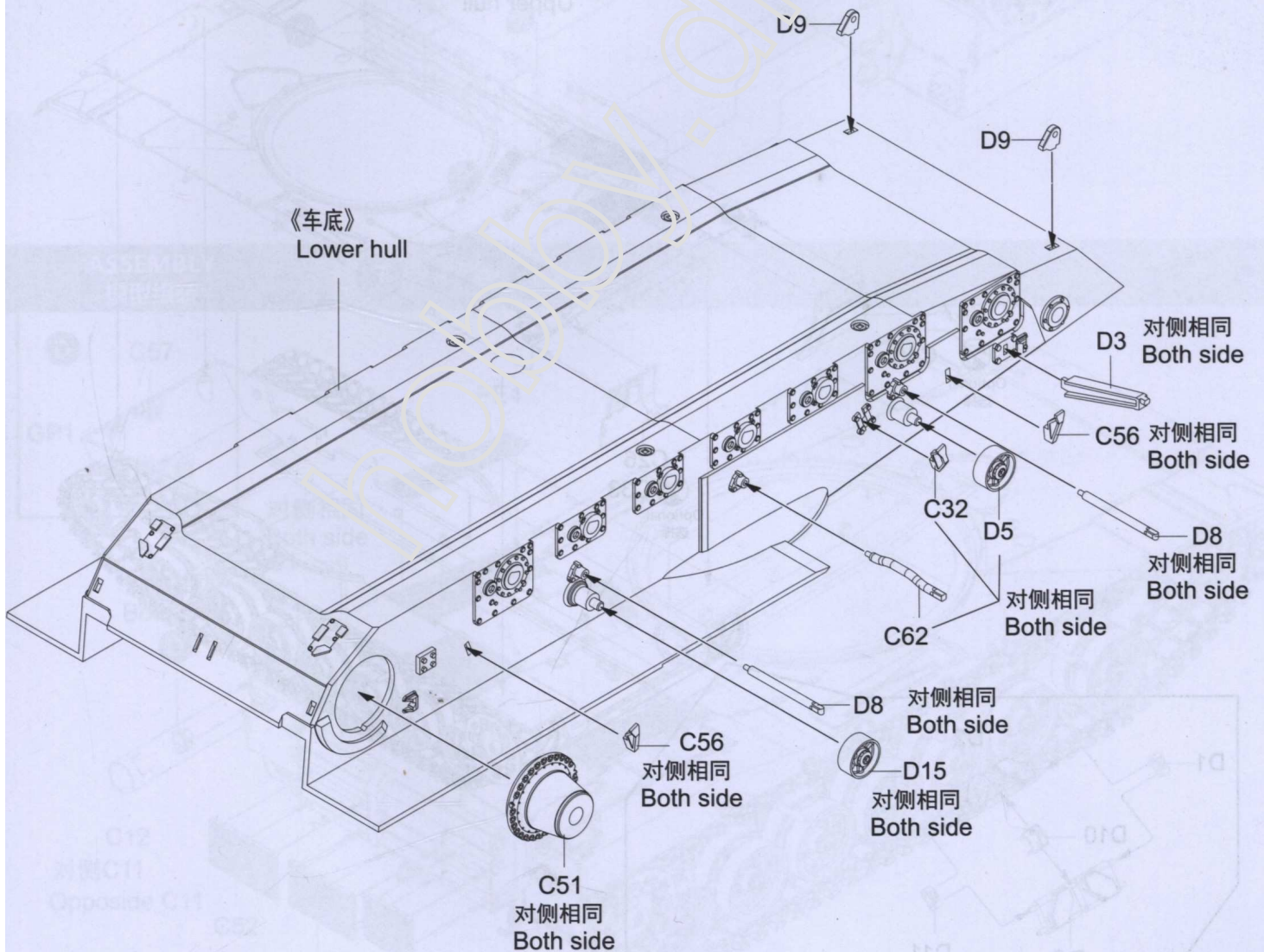
2



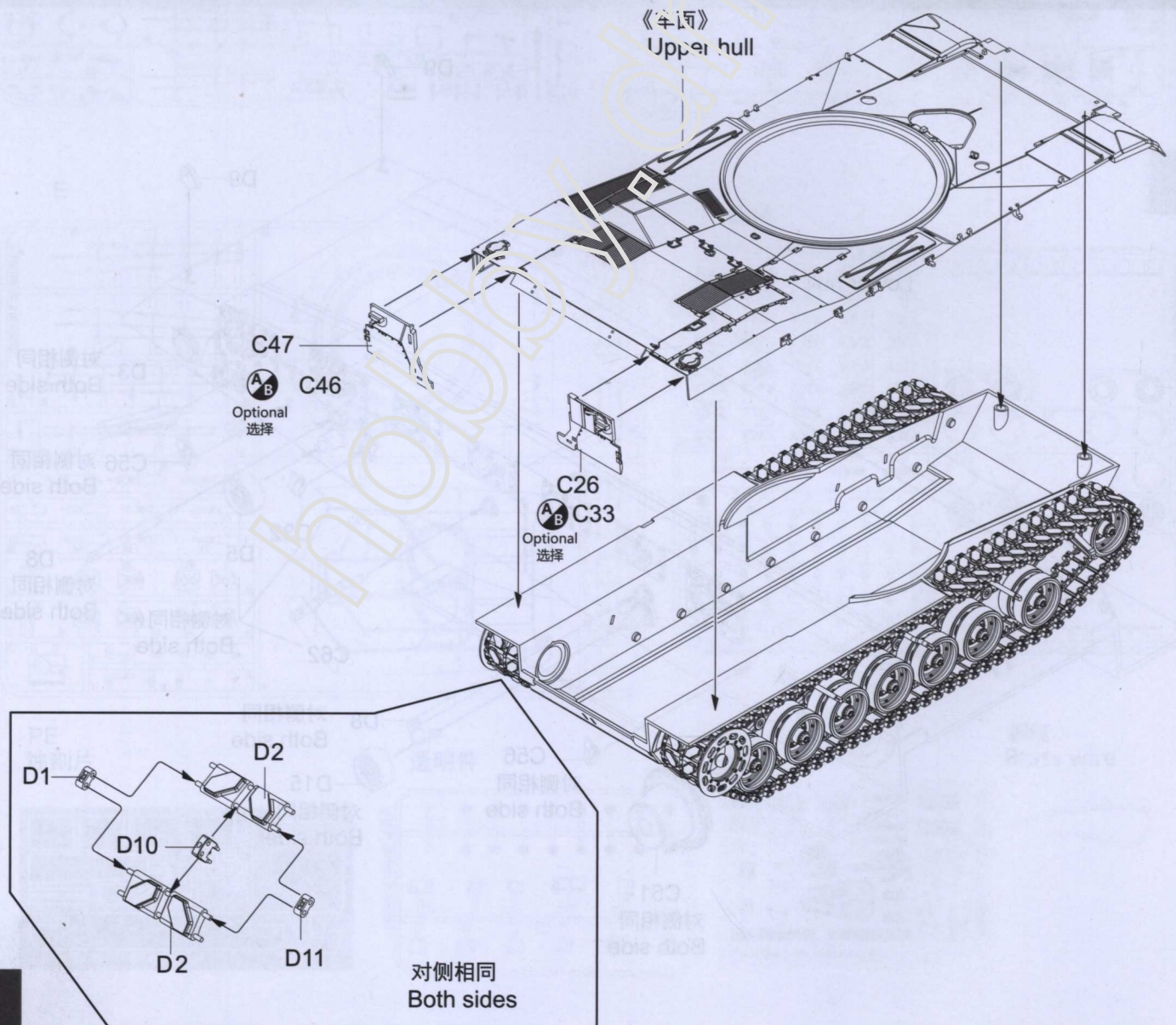
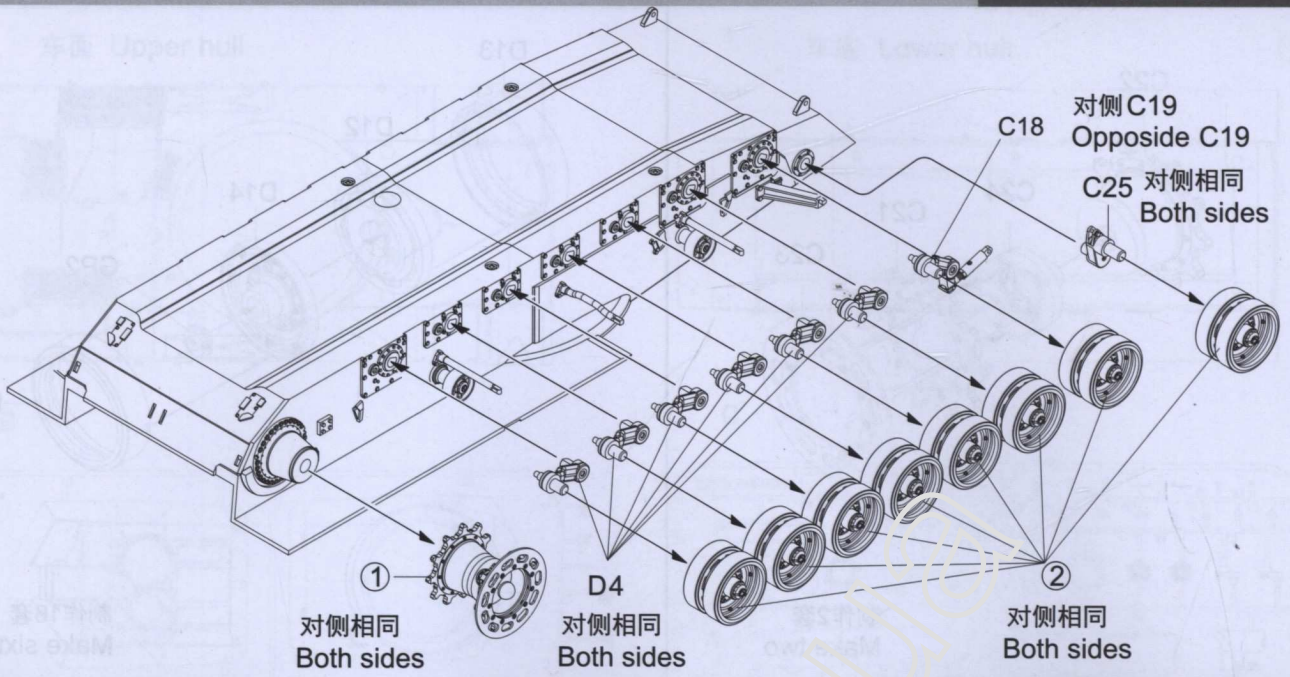
制作16套  
Make sixteen

ASSEMBLY  
模型组装

3



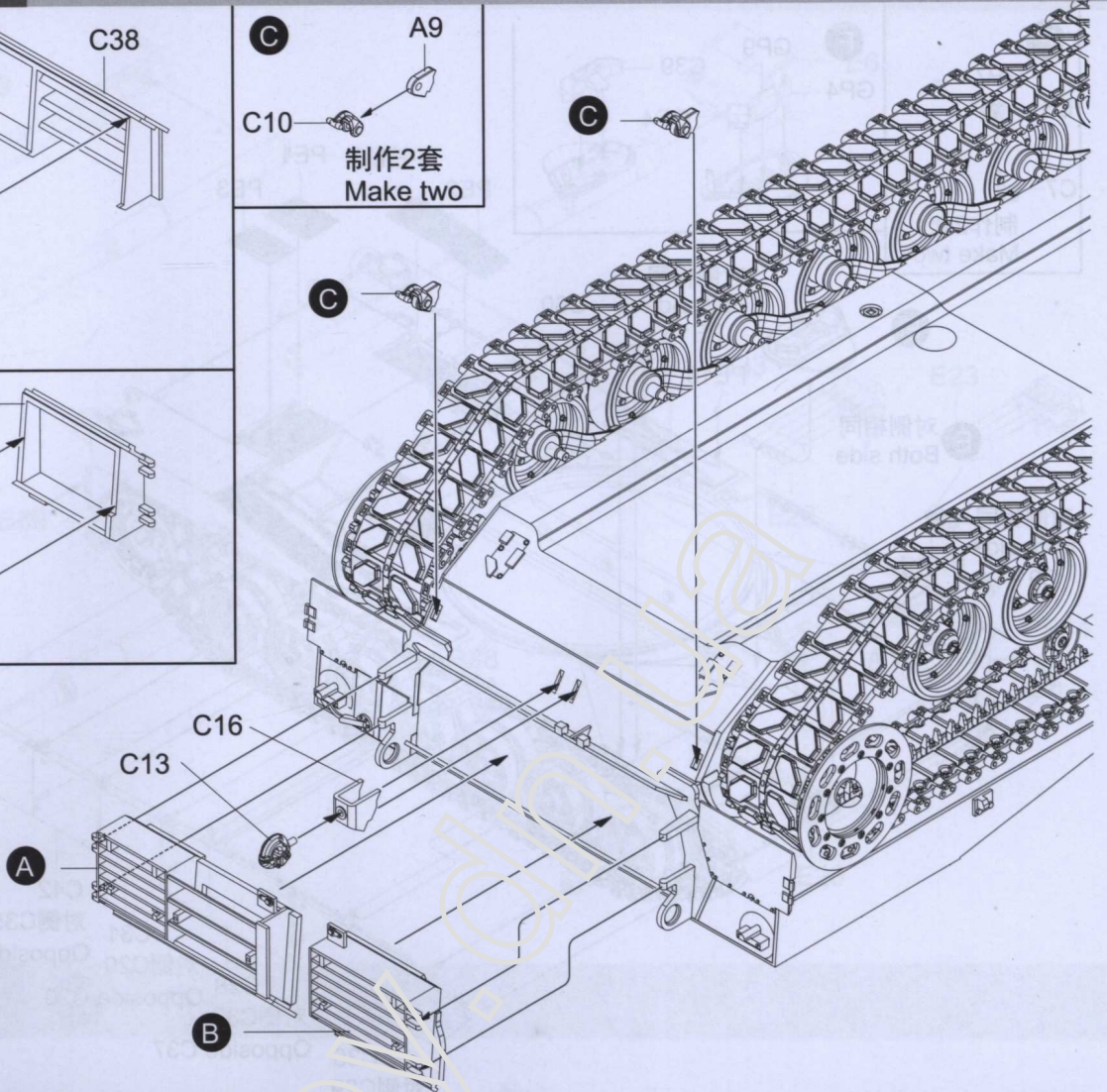
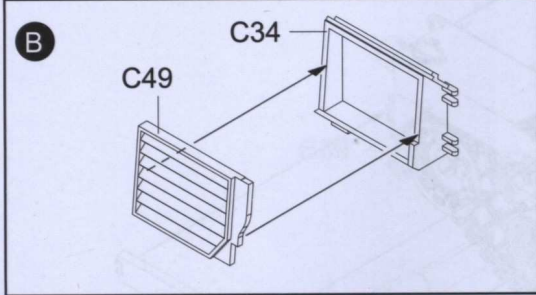
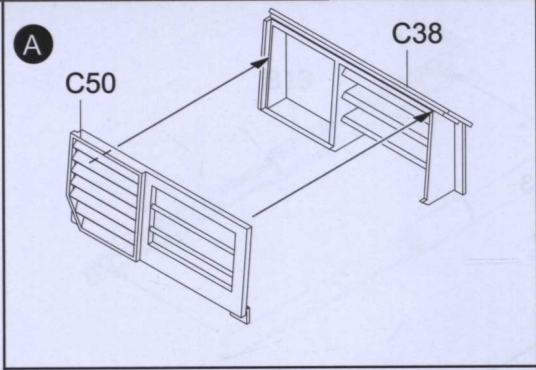






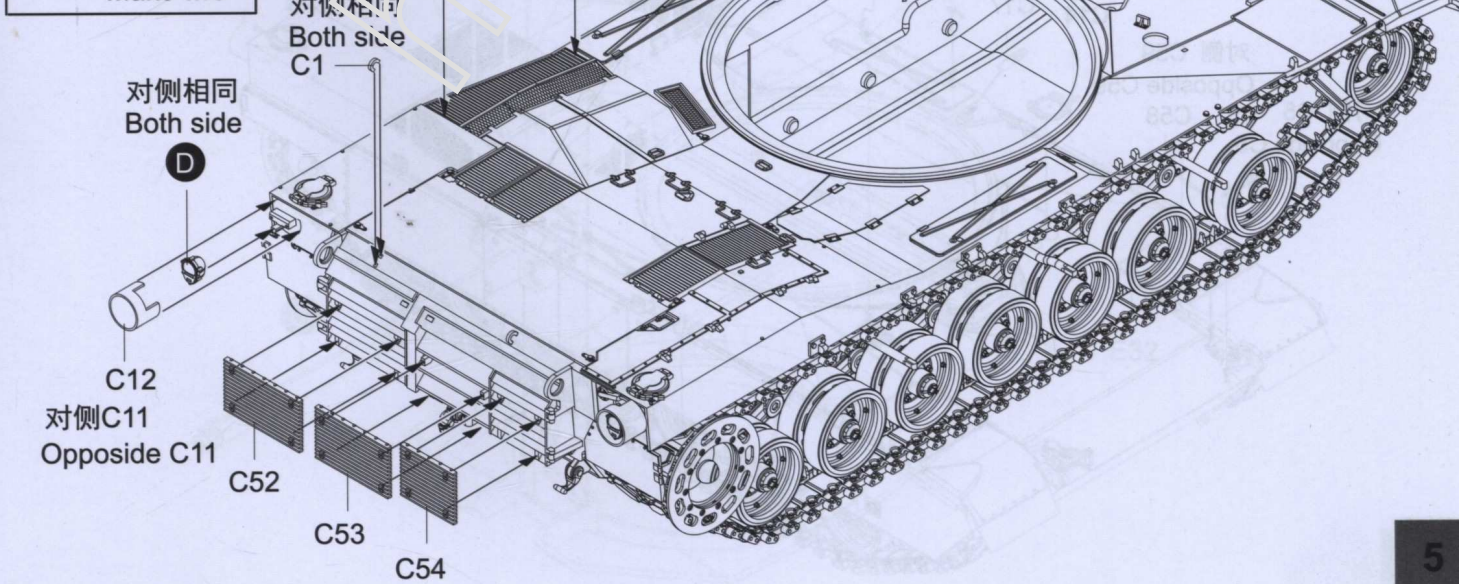
ASSEMBLY  
模型组装

6

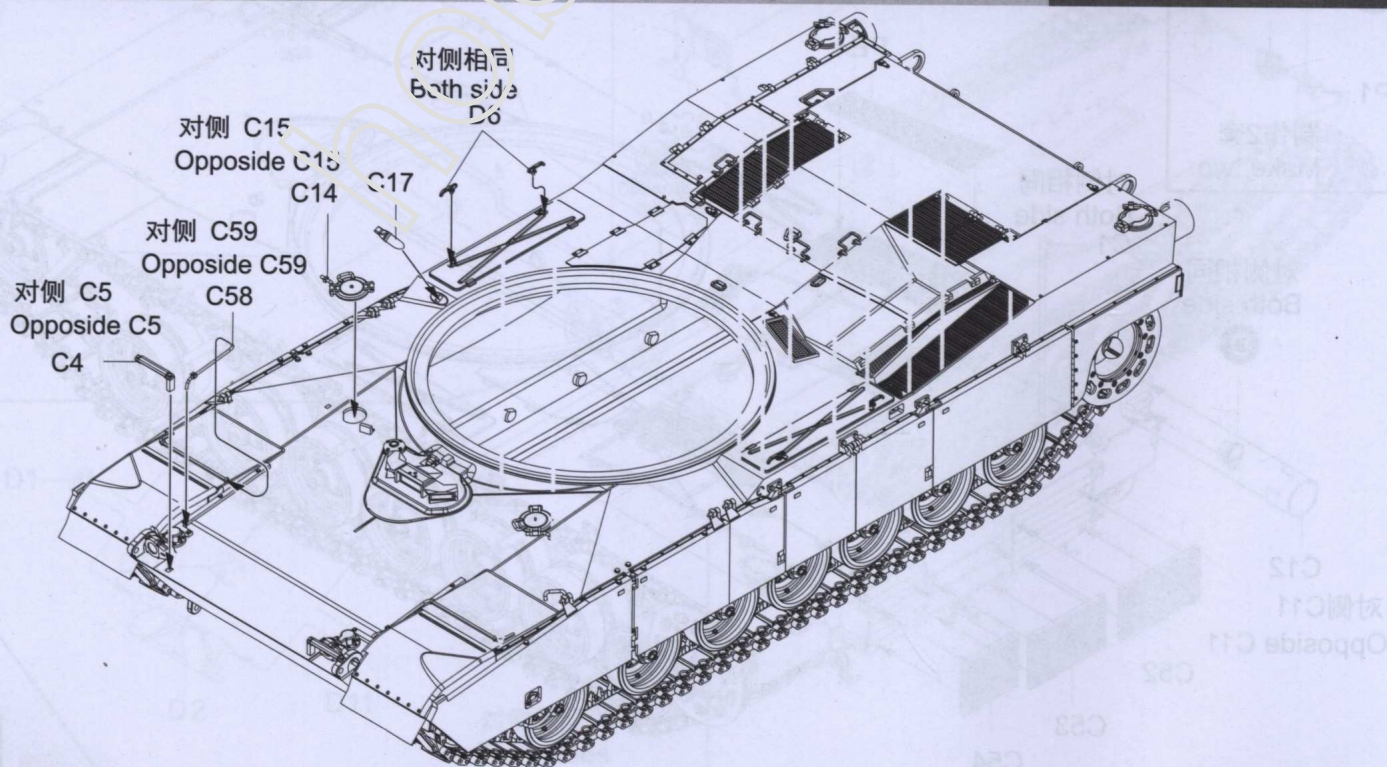
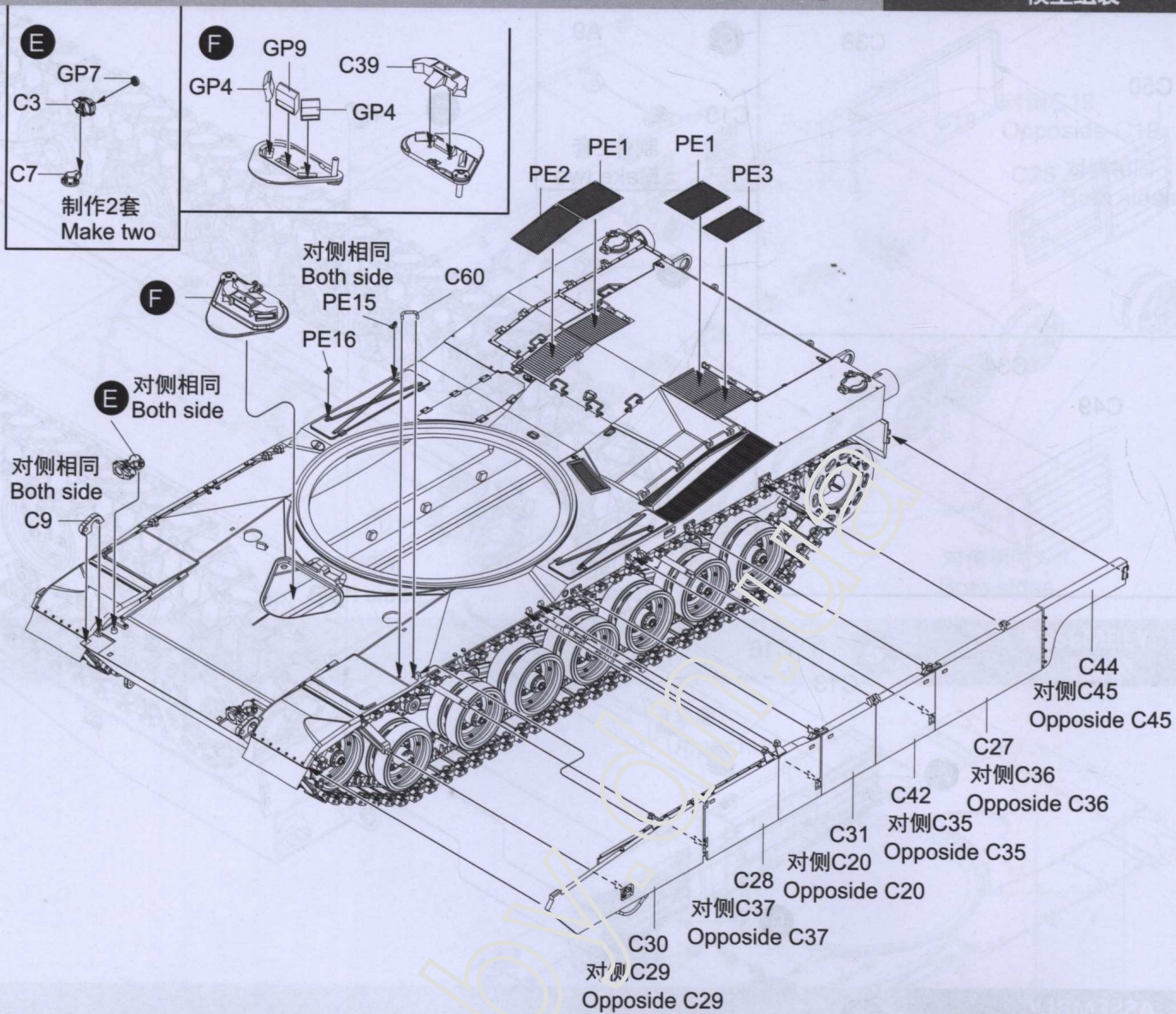


ASSEMBLY  
模型组装

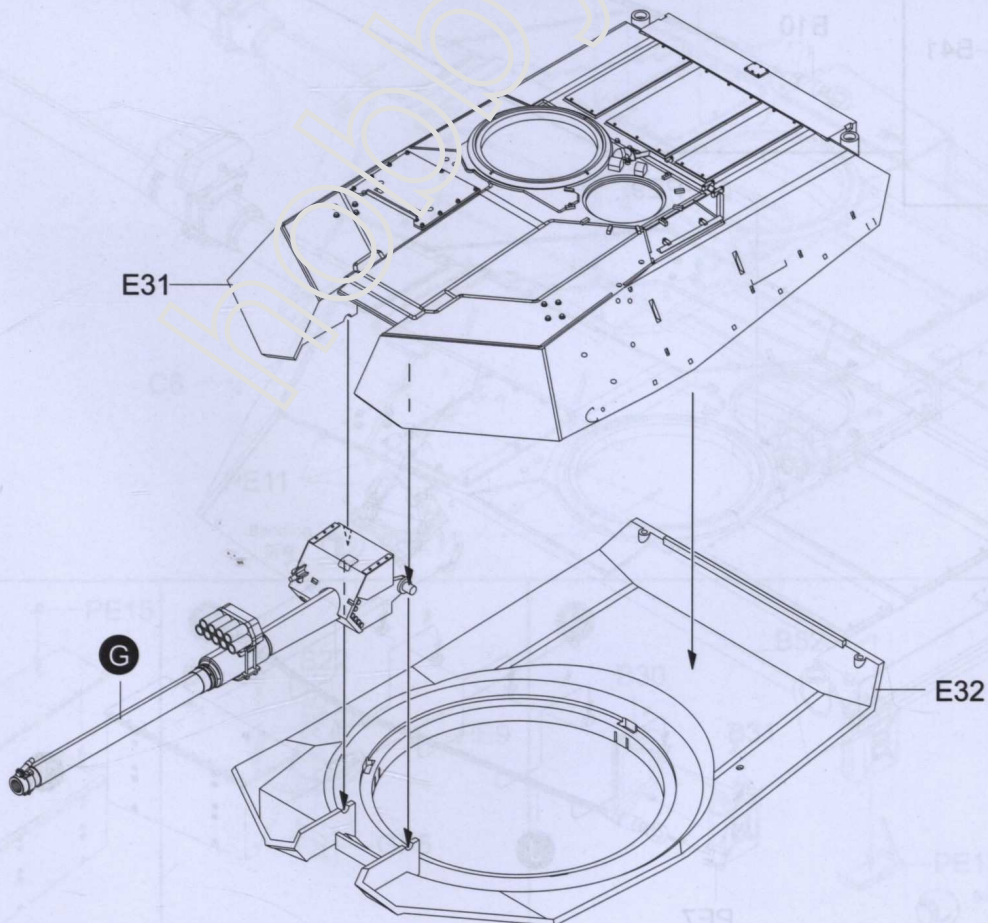
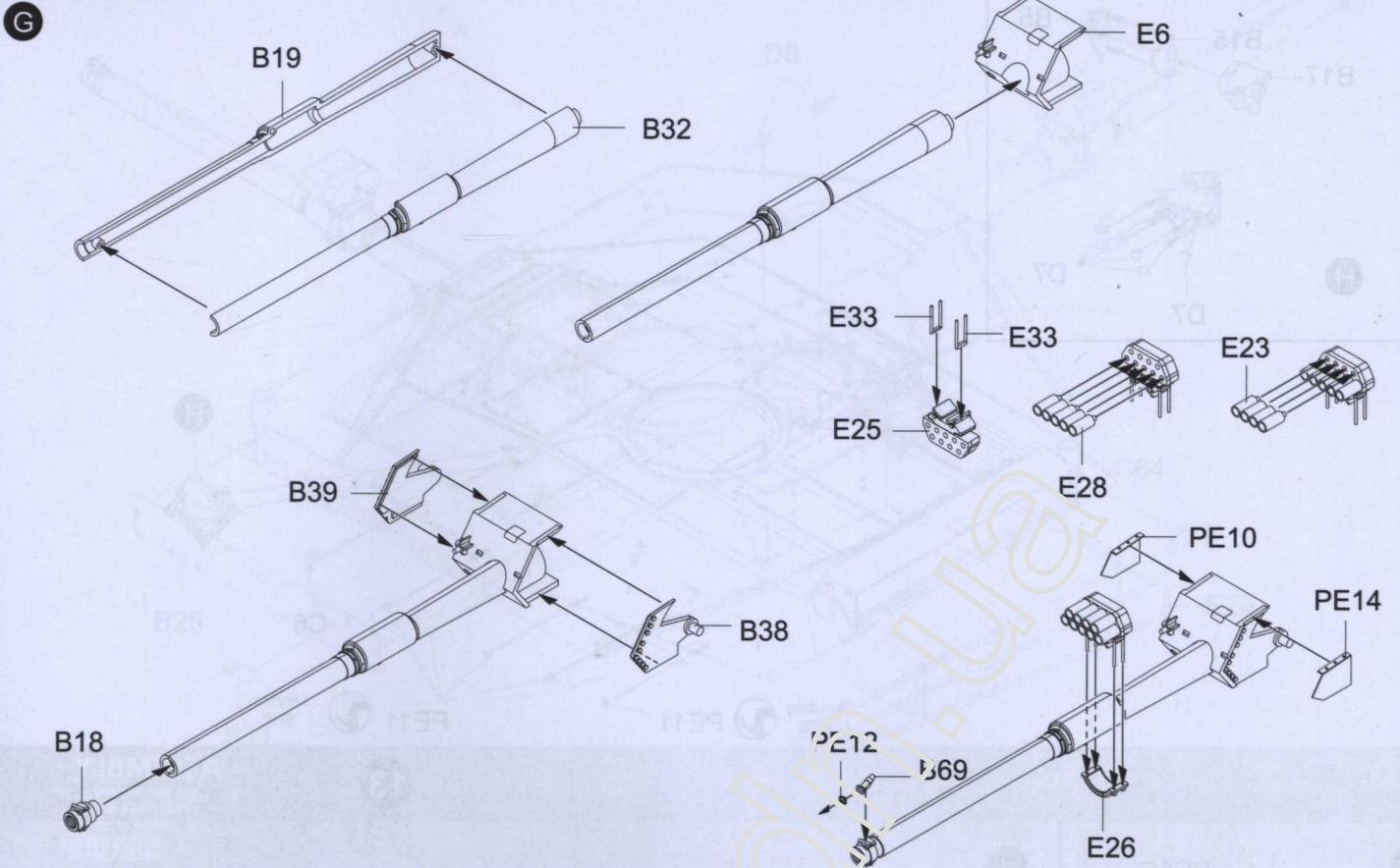
7



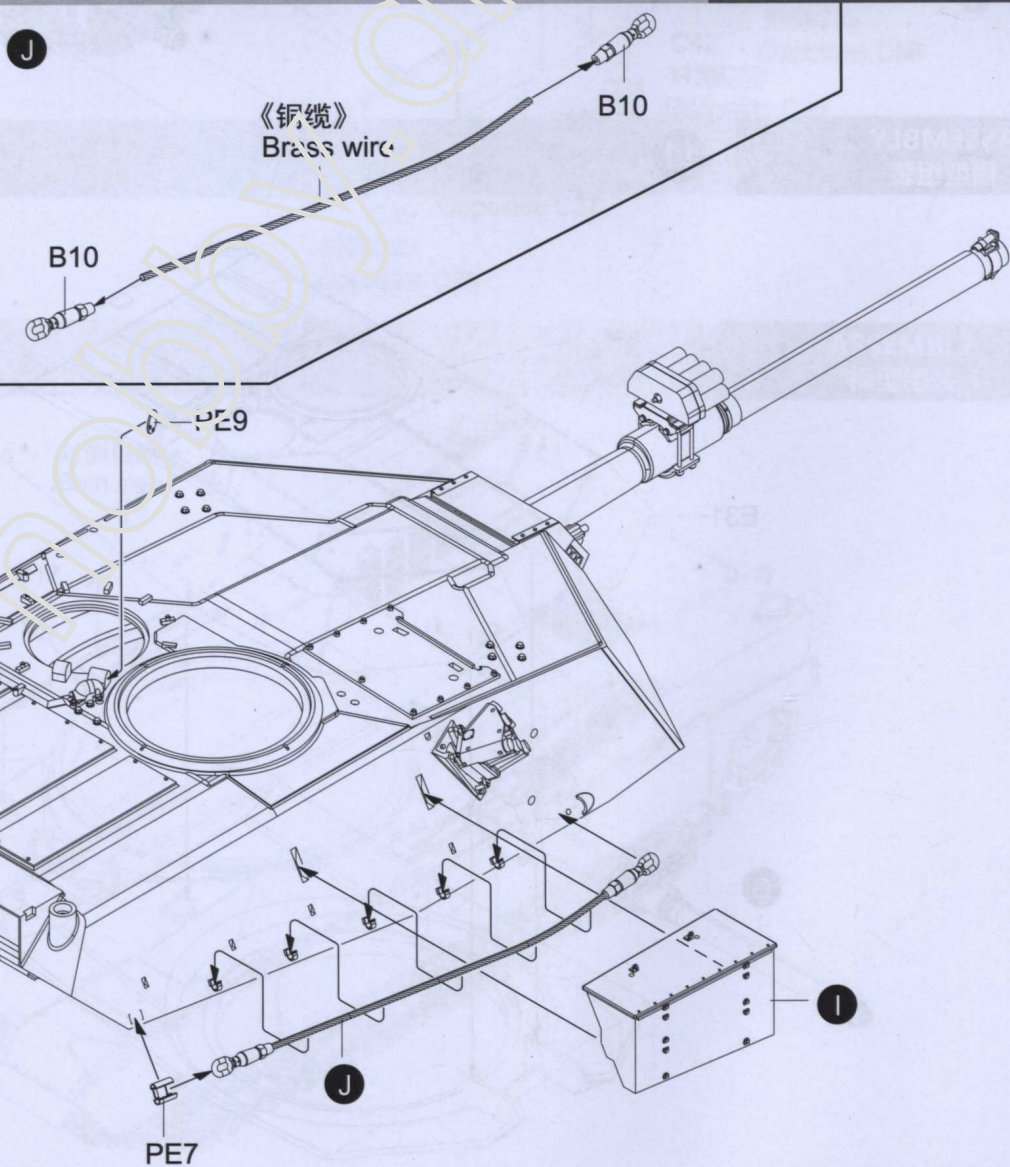
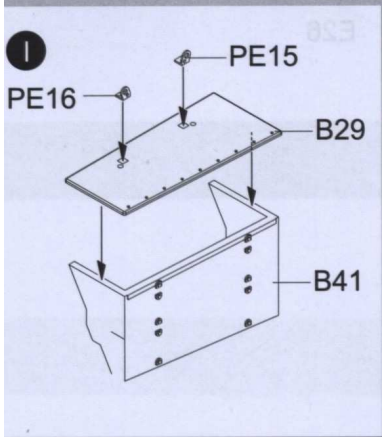
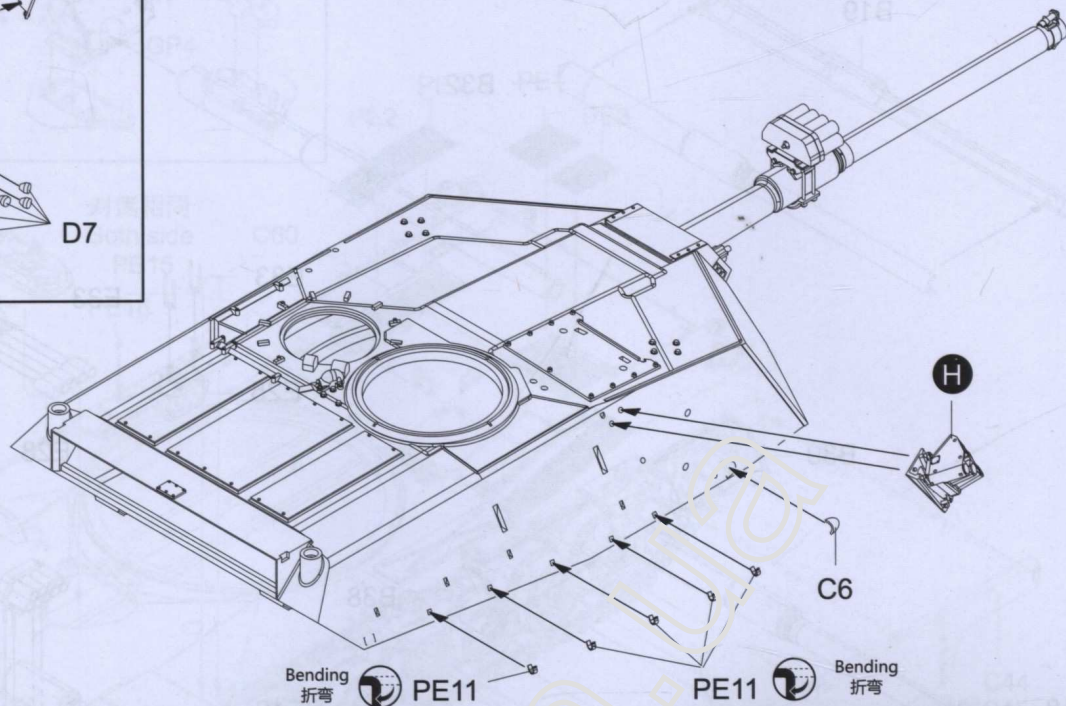
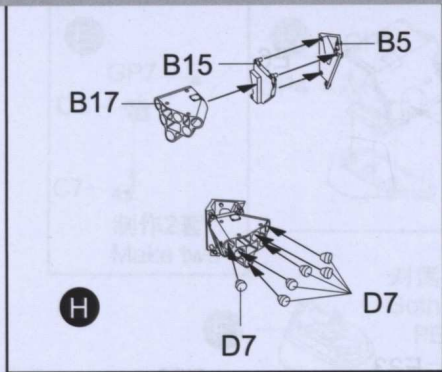




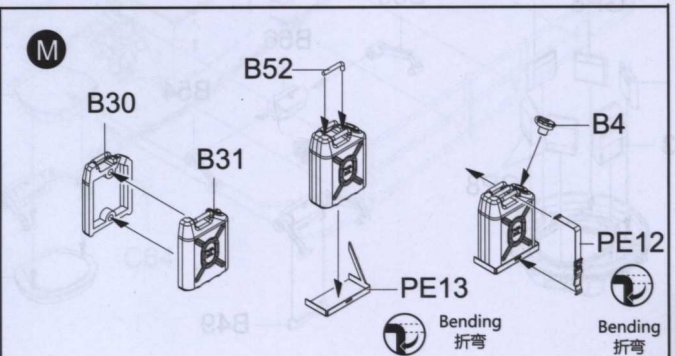
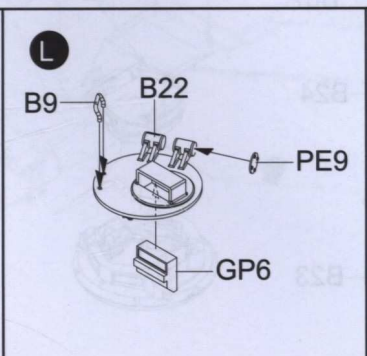
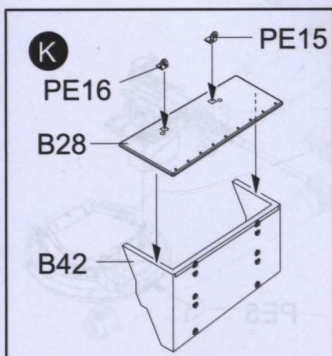
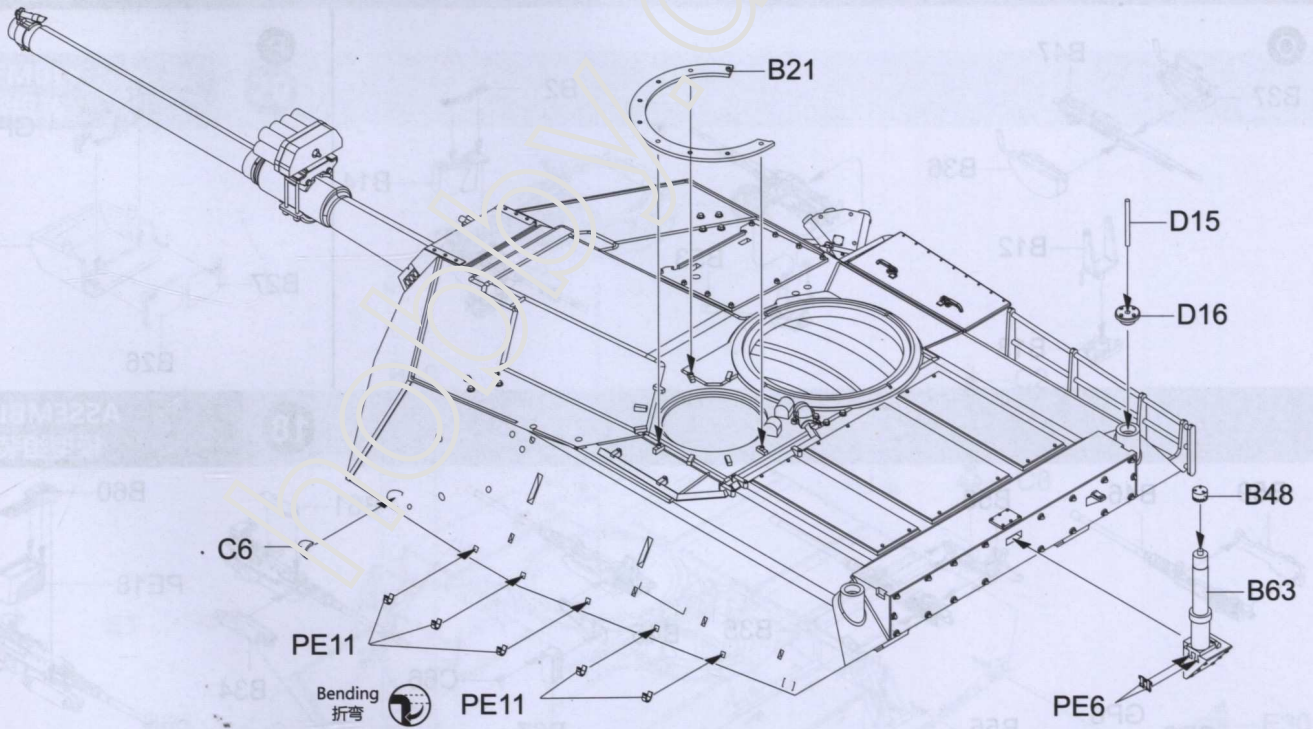
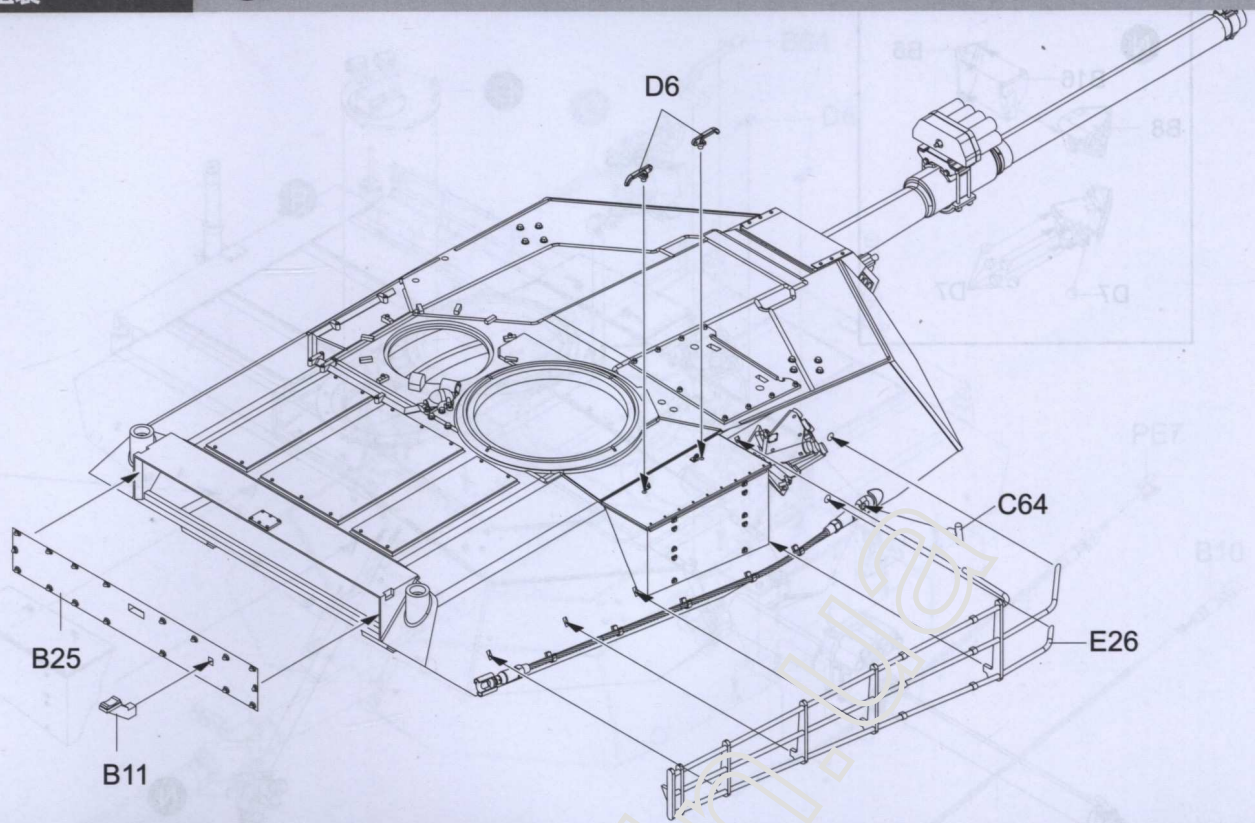




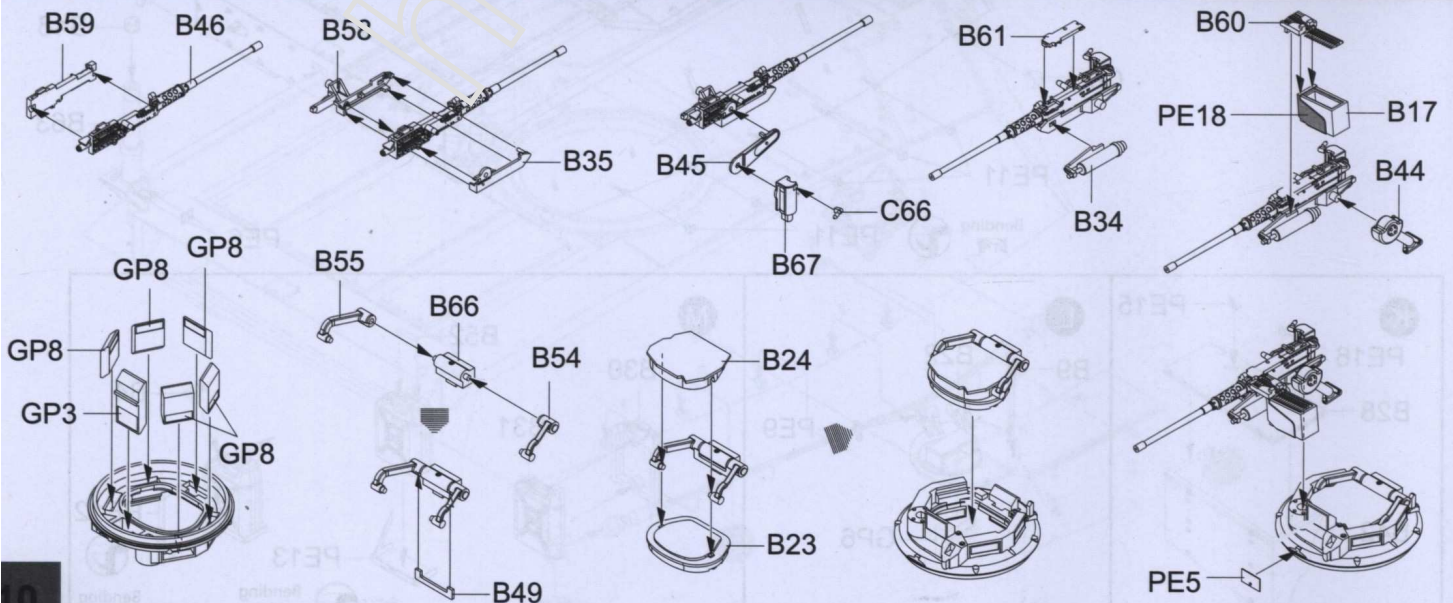
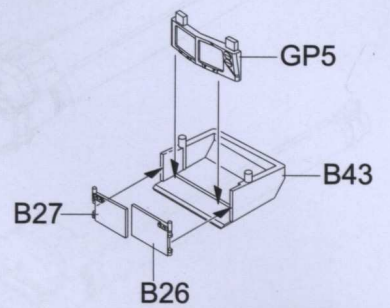
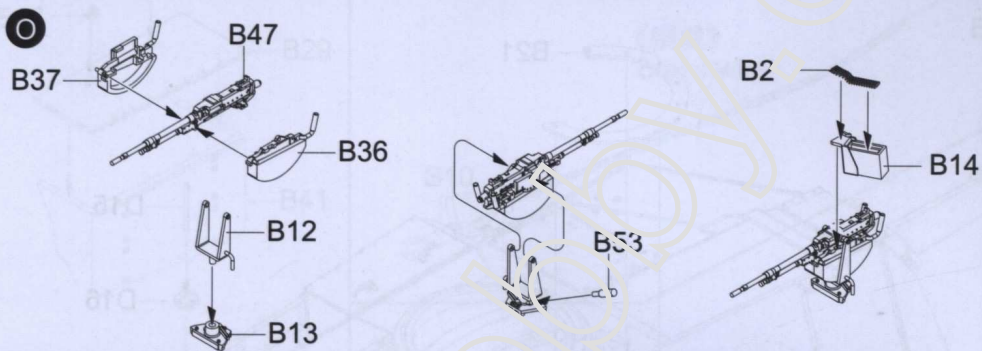
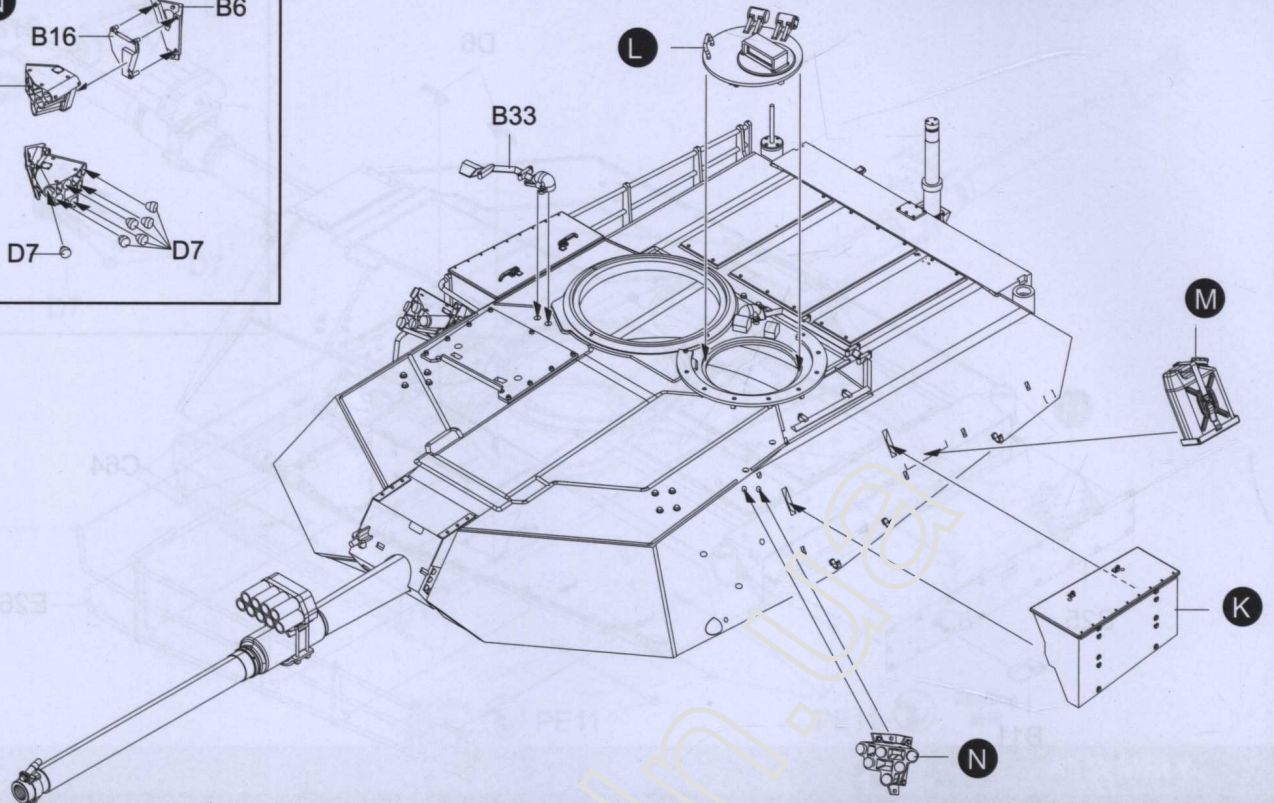
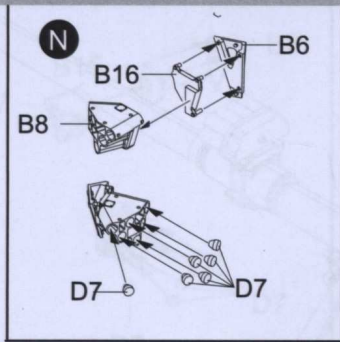




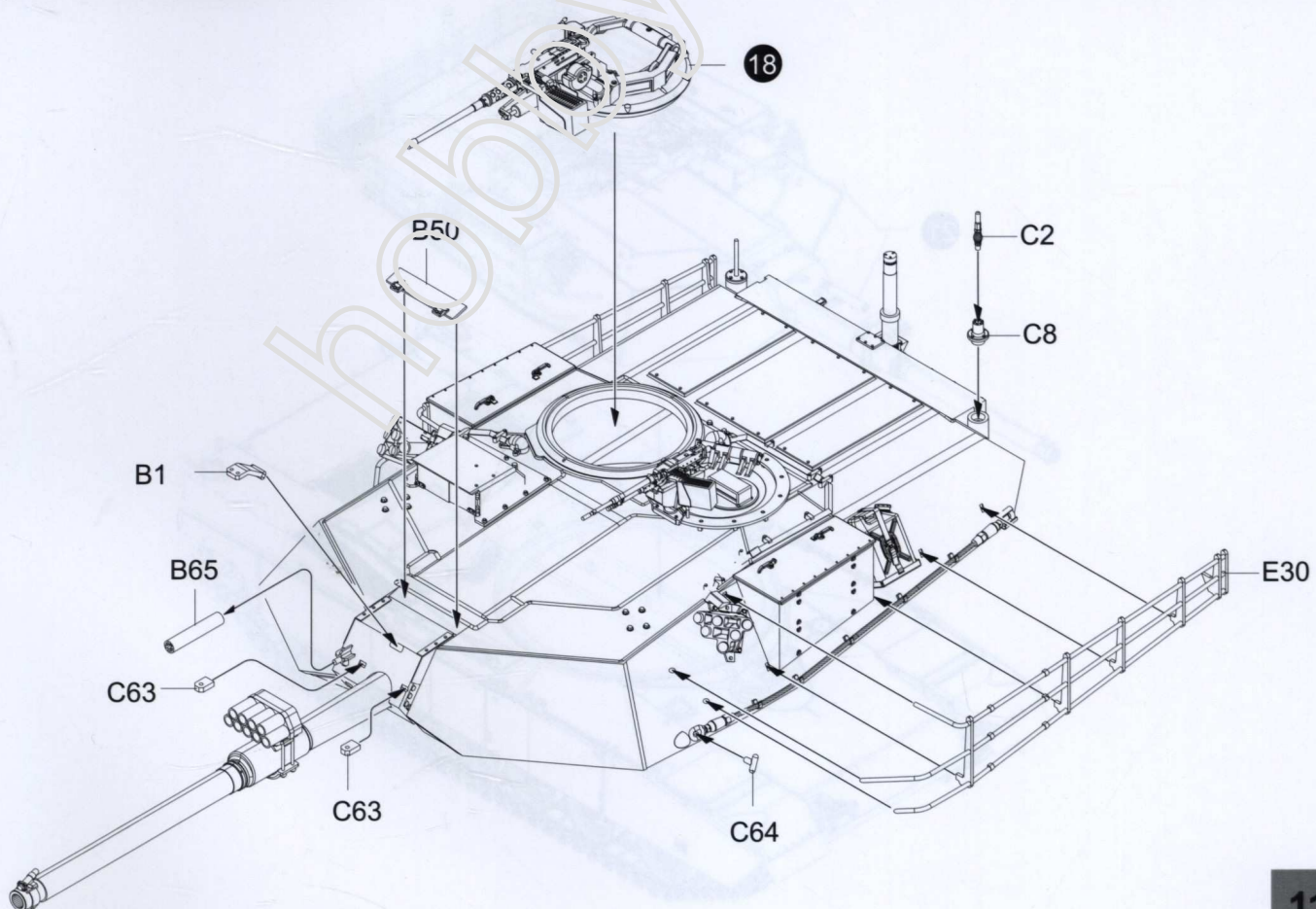
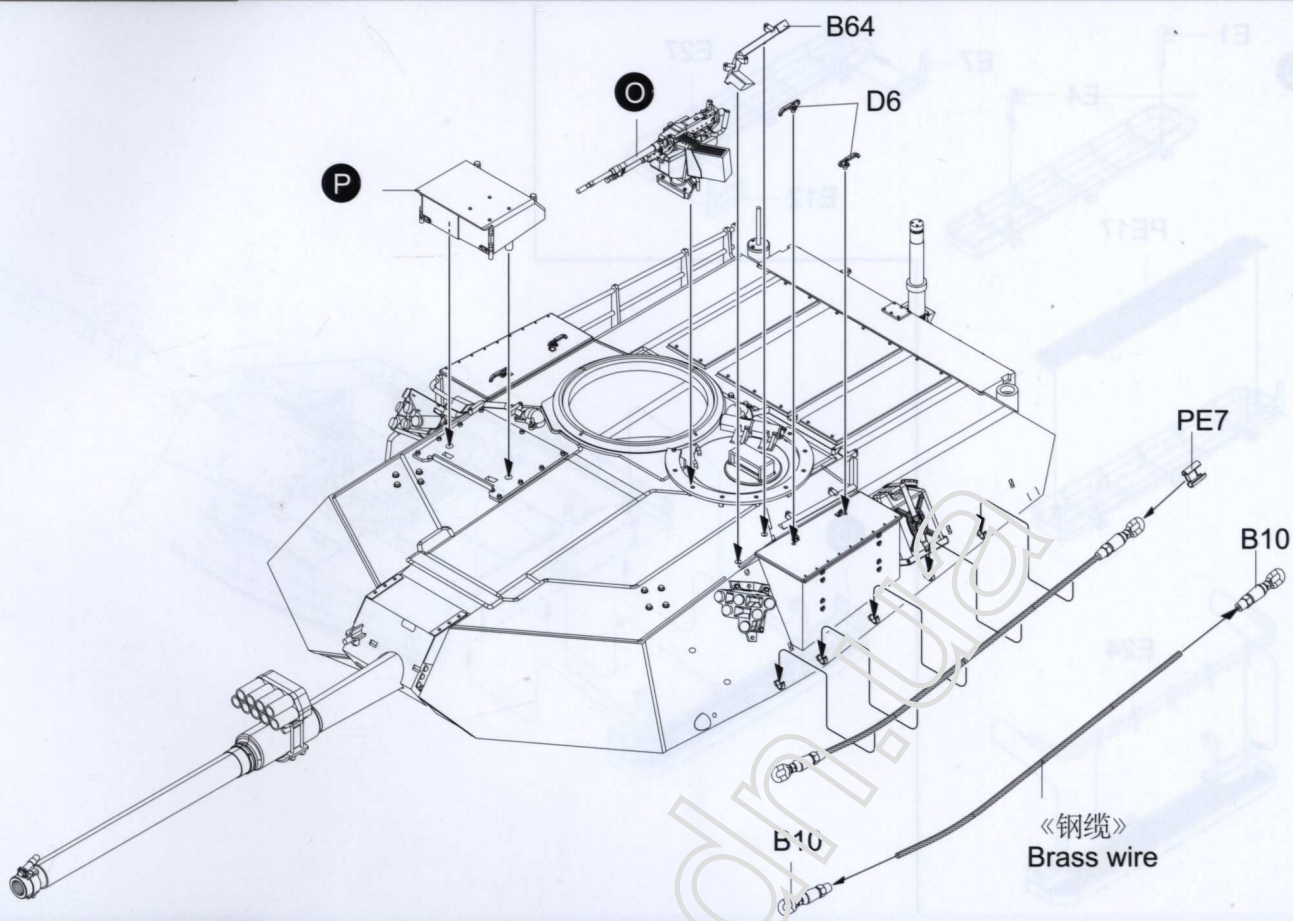




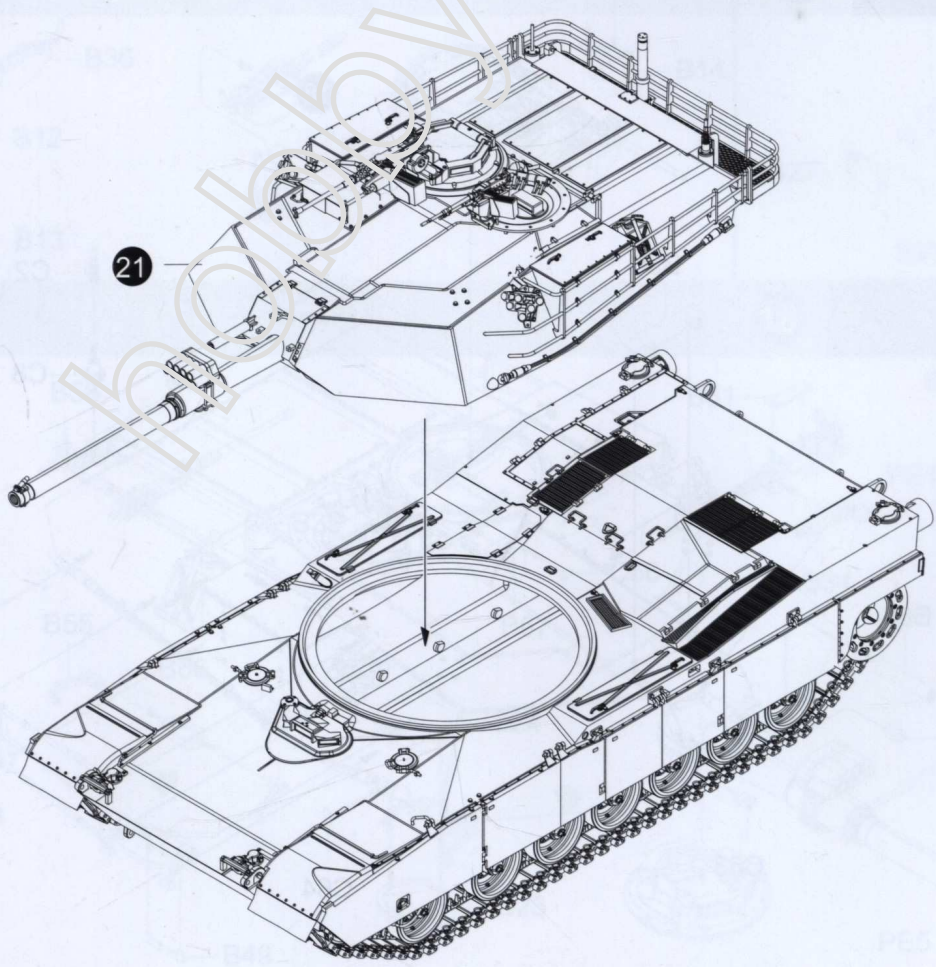
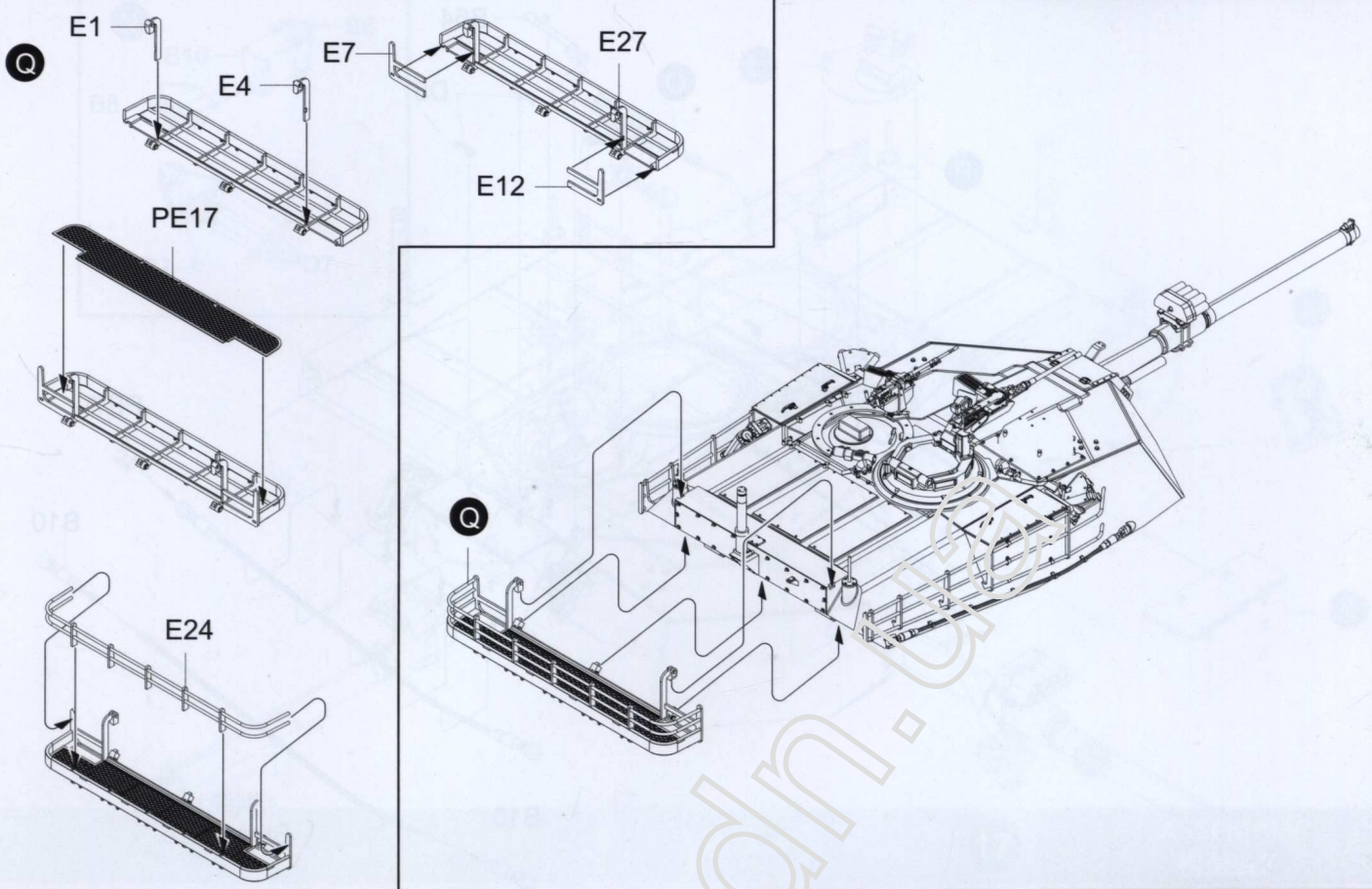














# M1 IP Abrams MBT



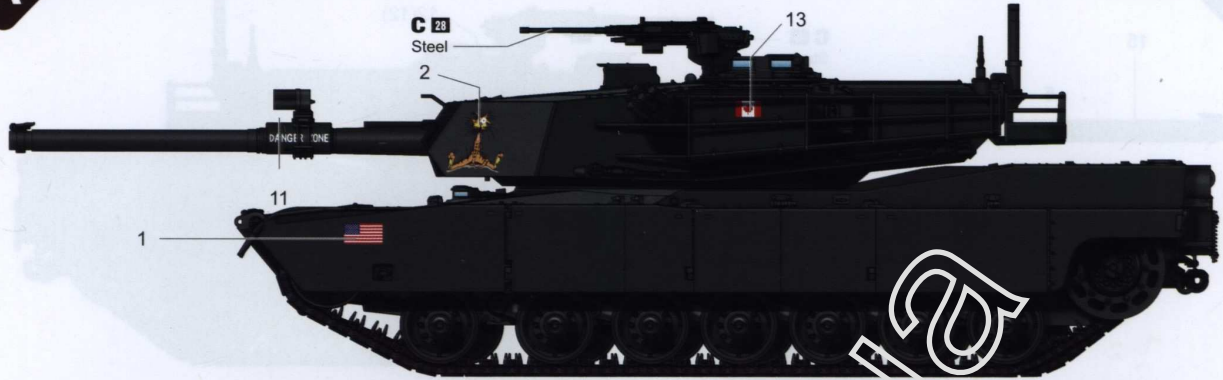
M1 IP “艾布拉姆斯” 主戰坦克  
1/35 scale

Painting & marking Guide

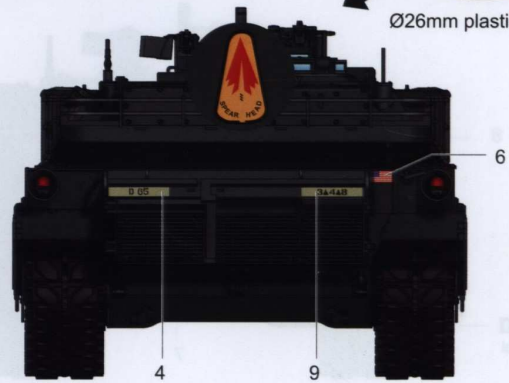
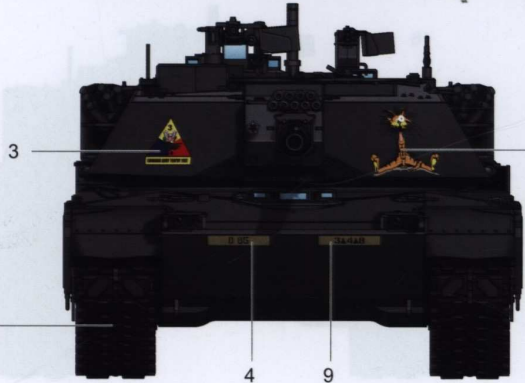
塗裝與水貼

**A**

4th Battalion, 8th Cavalry, 2nd Brigade, 3rd, Armored, Division 1987 Canadian Army Trophy (C.A.T) Gelnhausen Germany.



Ø26mm plastic sheet





# M1 IP Abrams MBT



M1 IP “艾布拉姆斯” 主戰坦克  
1/35 scale

Painting & marking Guide

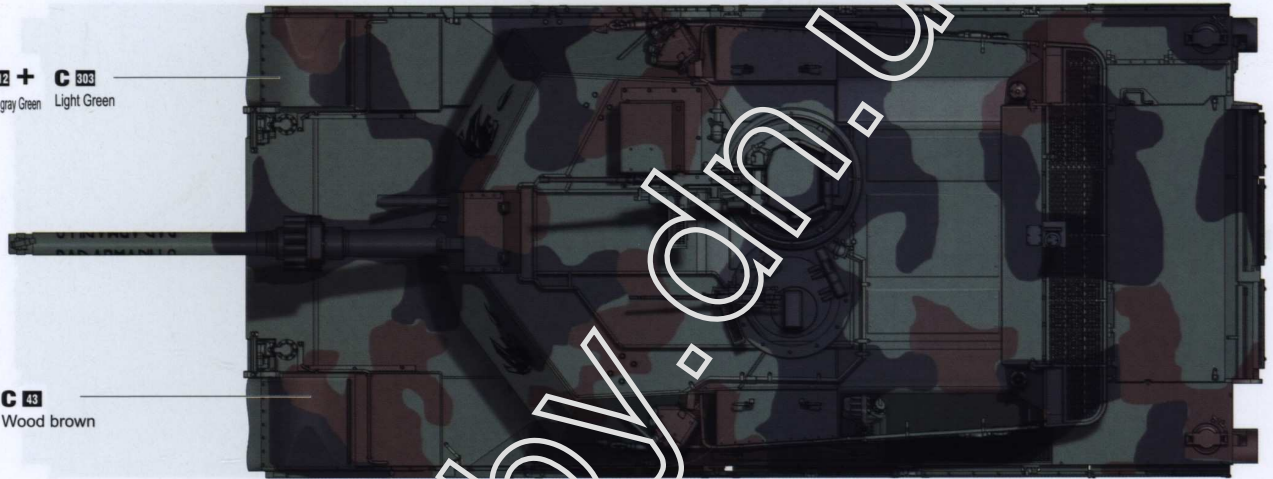
塗裝與水貼

**B**

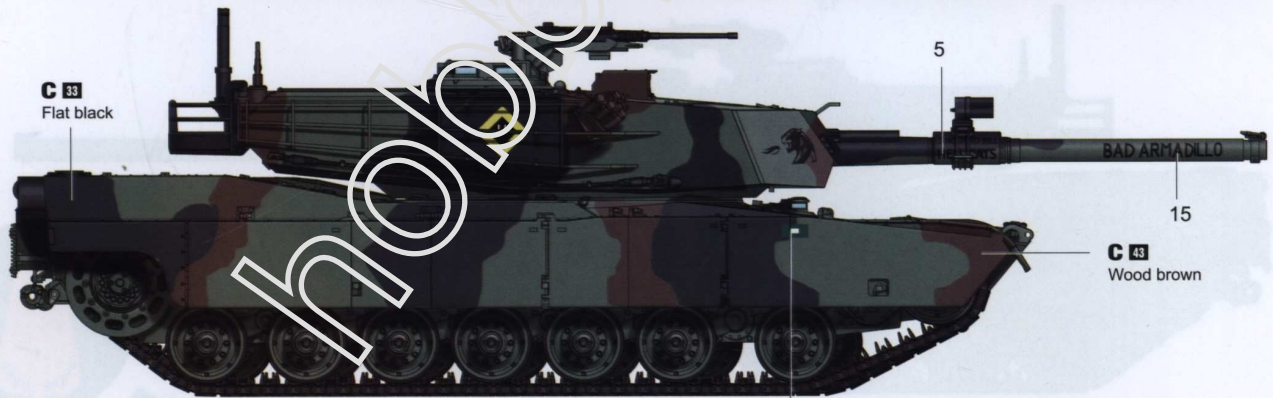
3rd Battalion, 32nd Armor, 1st Cavalry, National Training Center Feb 1987.



**C 312 + C 303**  
Medium gray Green  
Light Green



**C 33** Flat black



8

8

**C 28** Steel



16

