



M1240A1 M-ATV

MRAP ALL TERRAIN VEHICLE

Hobby.dh.ua

ASSEMBLY ICONS



OPTIONAL
选择



CEMENT
膠水



DO NOT CEMENT
不使用膠水



INSTANT CEMENT
瞬間接著劑



BEND
彎折



MAKE 2
製作2組



OPEN HOLE
鑽孔



REMOVE
切除



BE CAREFUL
注意



APPLY DECAL
貼上水貼紙

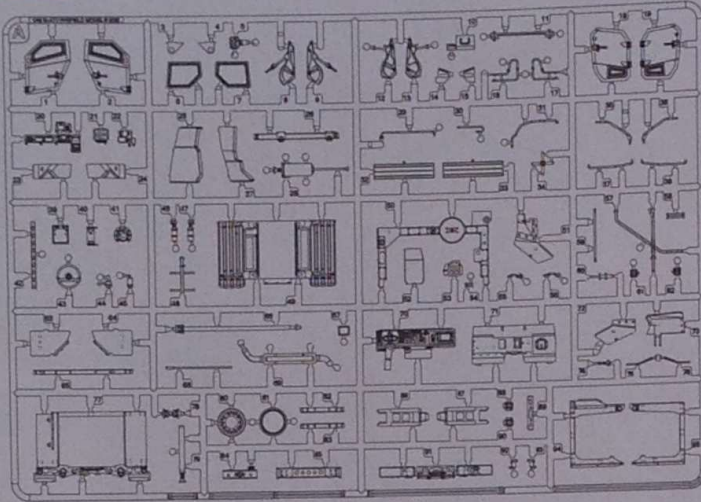
CAUTION!

Read carefully and fully understand the instructions before commencing assembly. Supervising adult should also read the instructions if a child assembles the model. When you used glue or paint, do not use near a naked flame, and use in a well-ventilated room. When assembling this kit, tools including knives are used. Extra care should be taken to avoid personal injury. Read and follow the instructions supplied with paints and/ or cement. Use plastic cement and paints only. Keep out of reach of small children. Children must not be allowed to suck any part, or pull vinyl bag over the head.

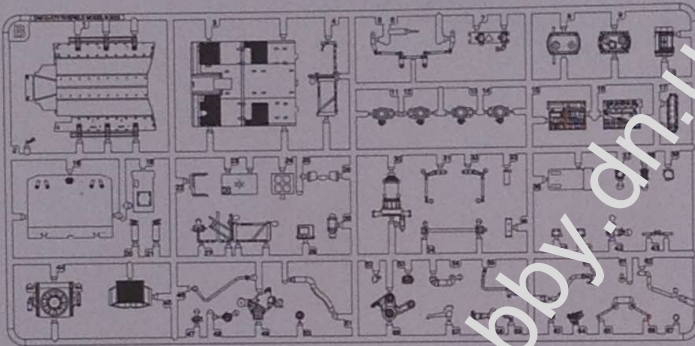
在裝配前仔細閱讀說明並完全理解。小孩裝配時需成人看護且需仔細閱讀說明。使用膠水和油漆時，應遠離火源並打開窗戶保持空氣流通。製作時請格外注意工具刀和零件的鋒利尖銳部分，避免對身體造成傷害。在使用膠水和油漆前仔細閱讀注意事項，按照說明正確使用膠水和油漆。請將本品放在兒童接觸不到的地方，套件中的塑膠包裝袋會對兒童造成窒息的危險。

PARTS 部品图

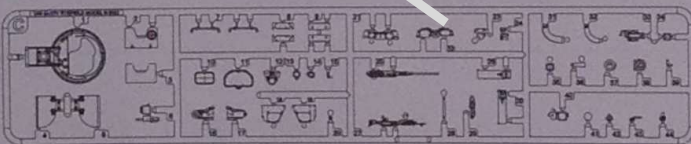
A x 1



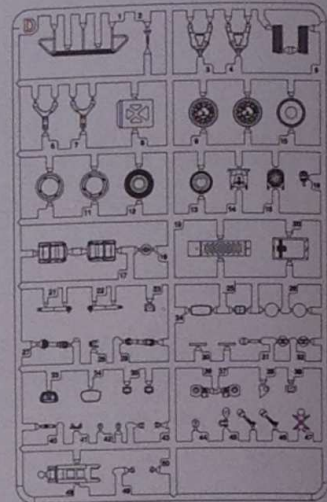
B x 1



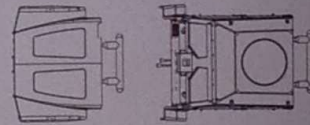
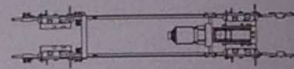
C x 1



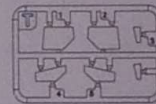
D x 2



Uppre Hull x 3



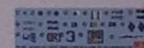
T x 1



Y x 1



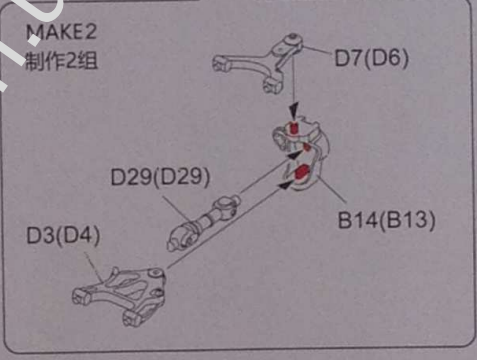
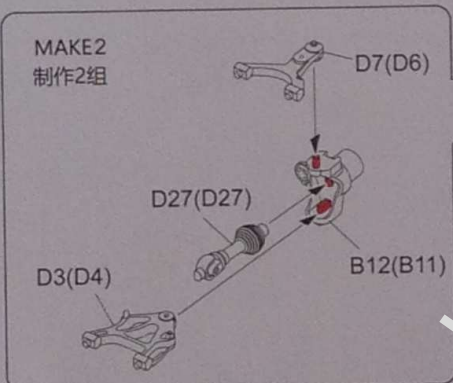
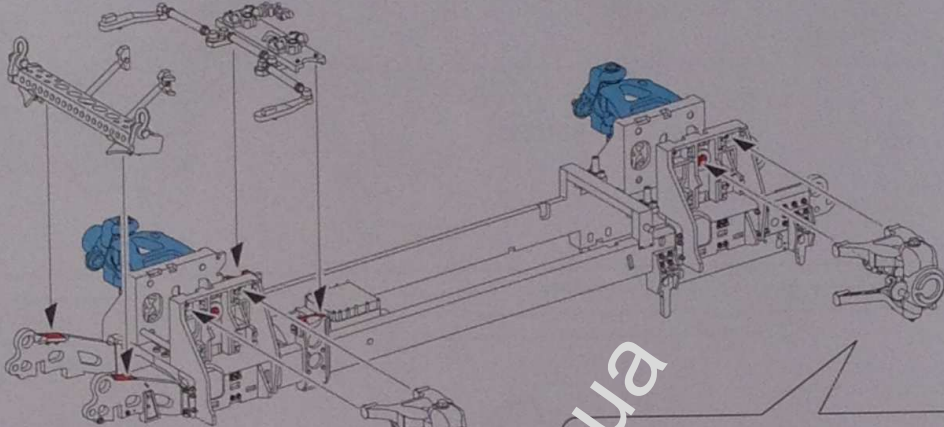
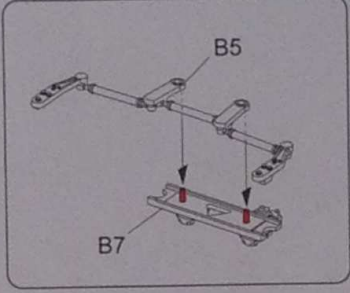
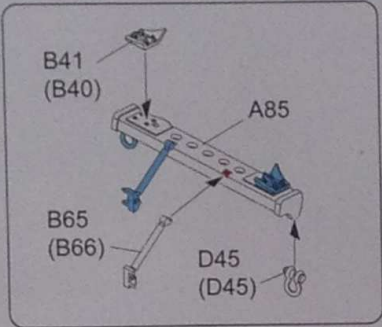
Decal



Tyre x 5

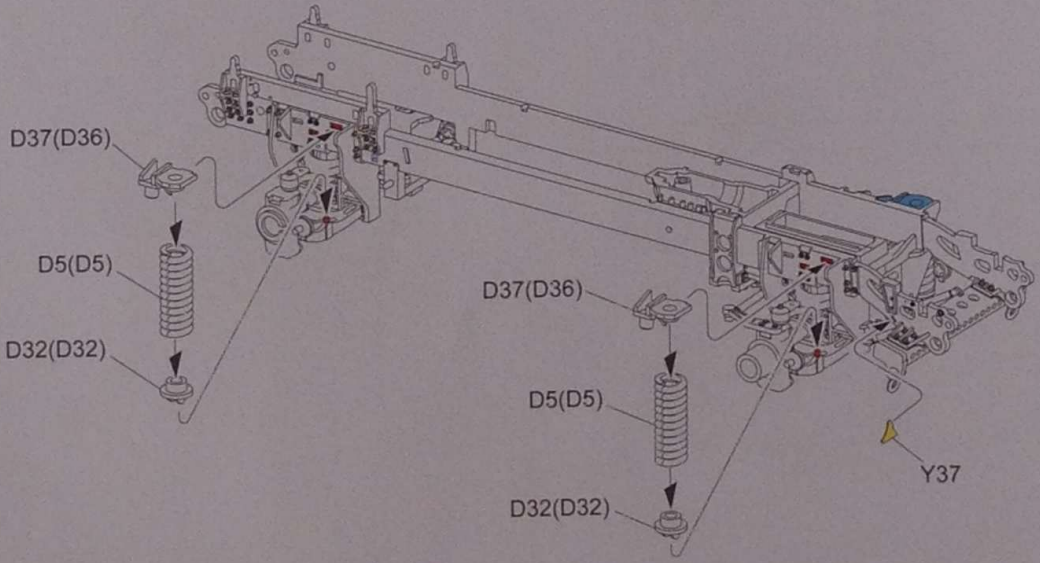


1

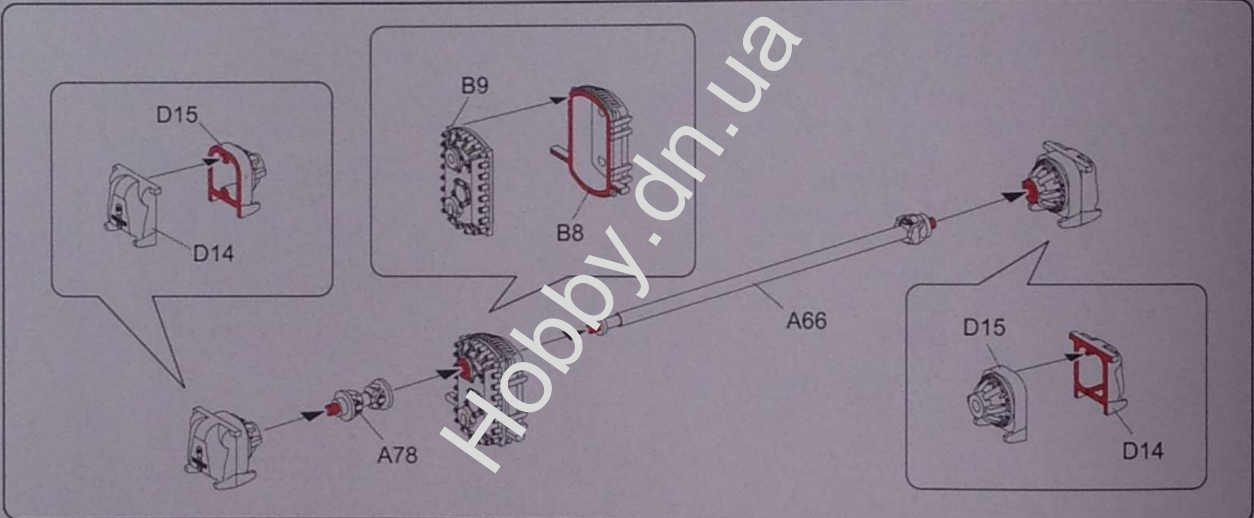
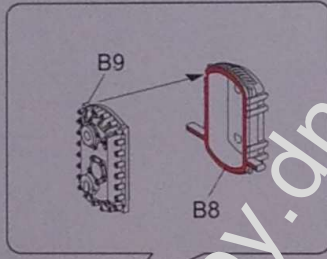
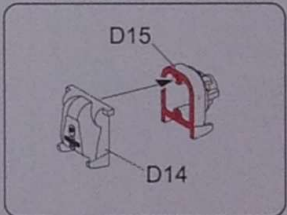
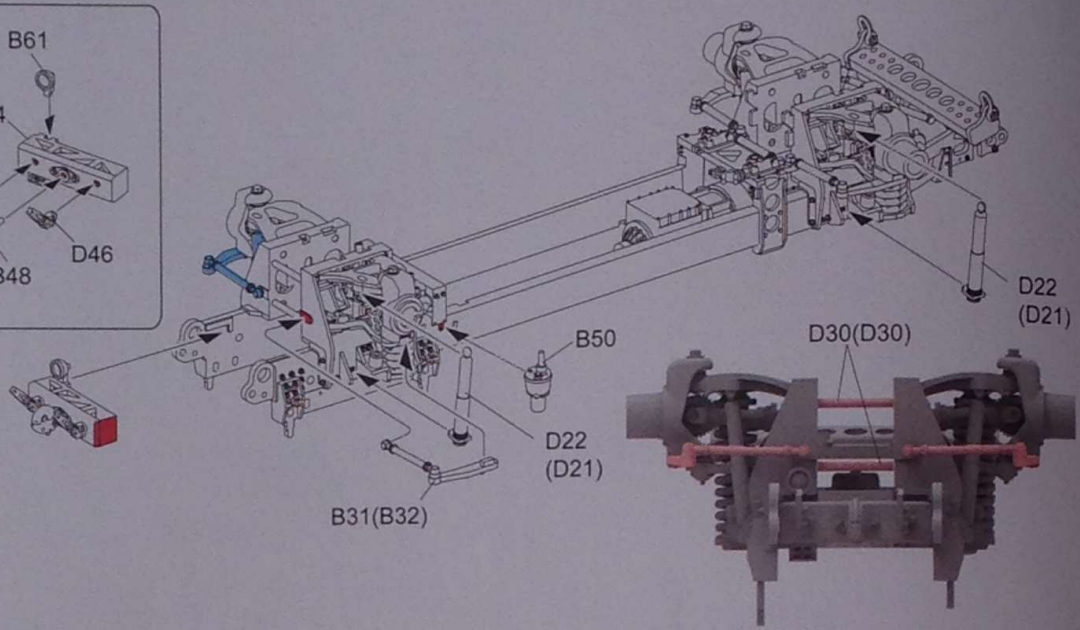
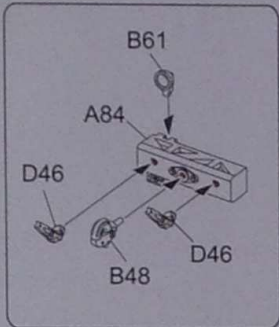


Hobby.dn.ua

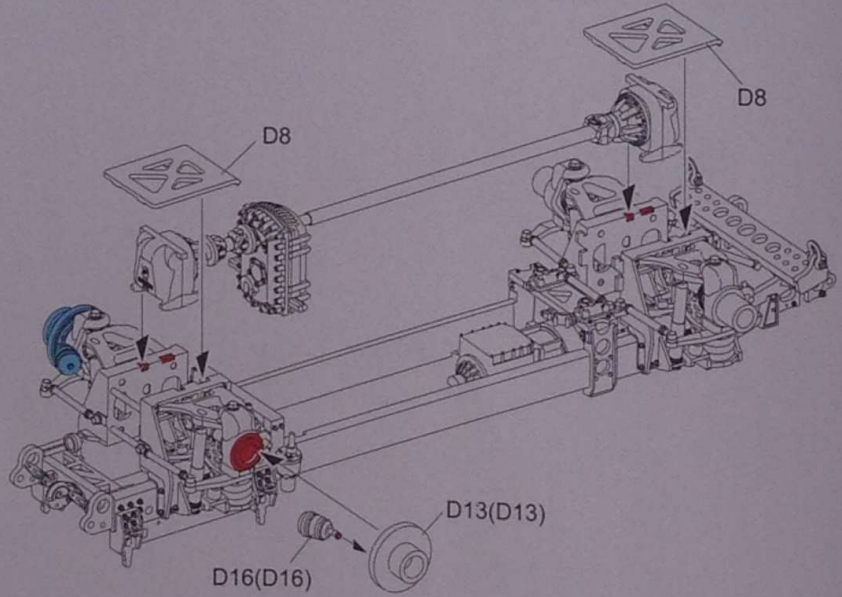
2



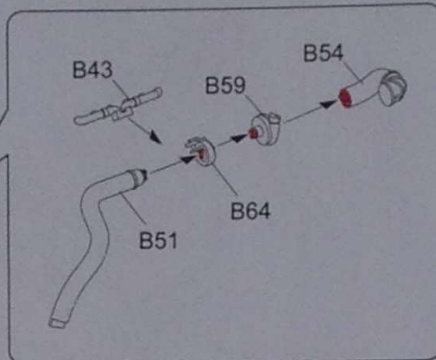
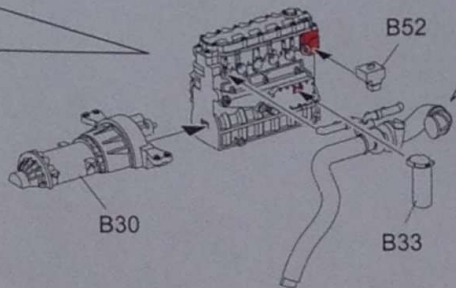
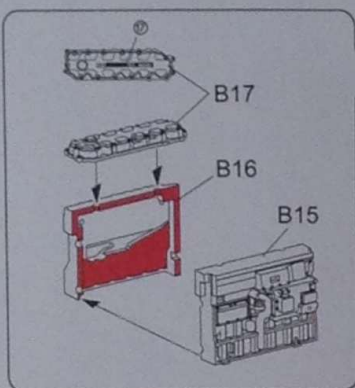
3



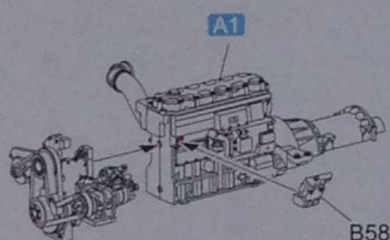
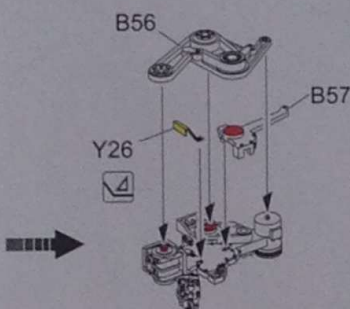
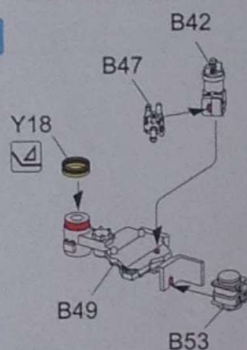
4



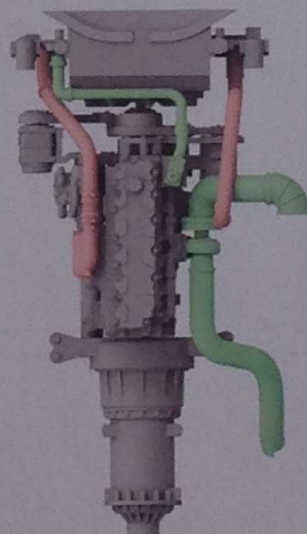
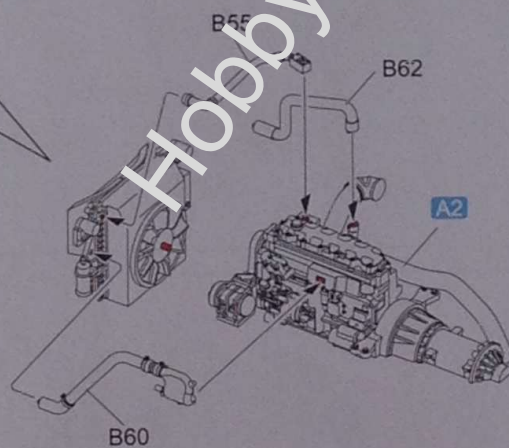
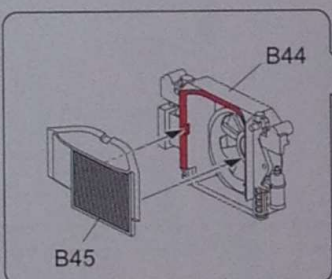
A1



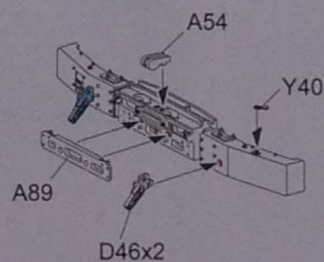
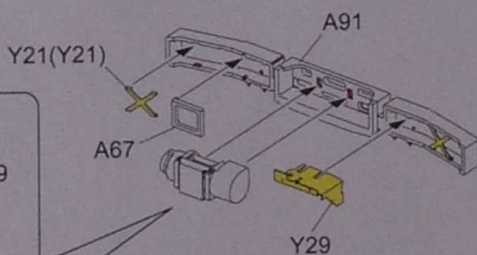
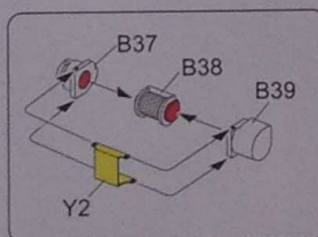
A2



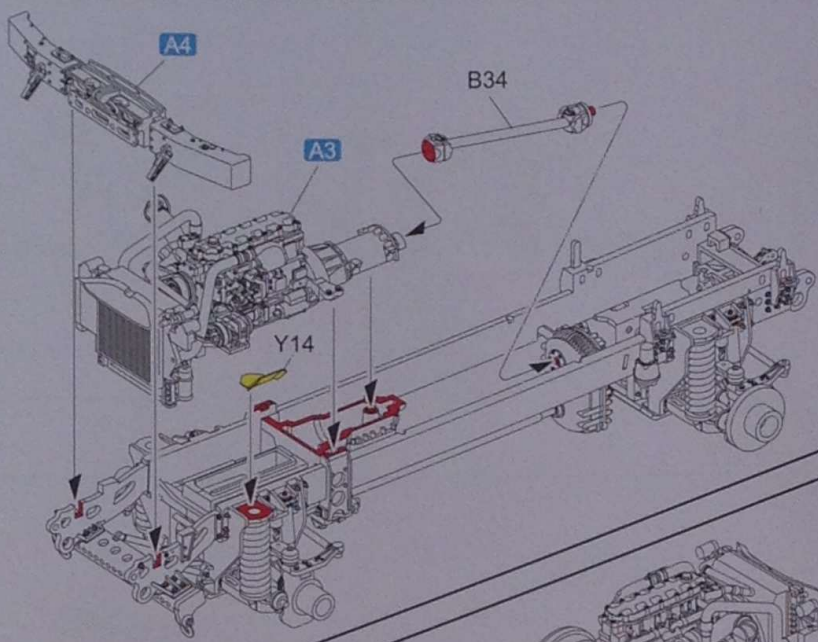
A3



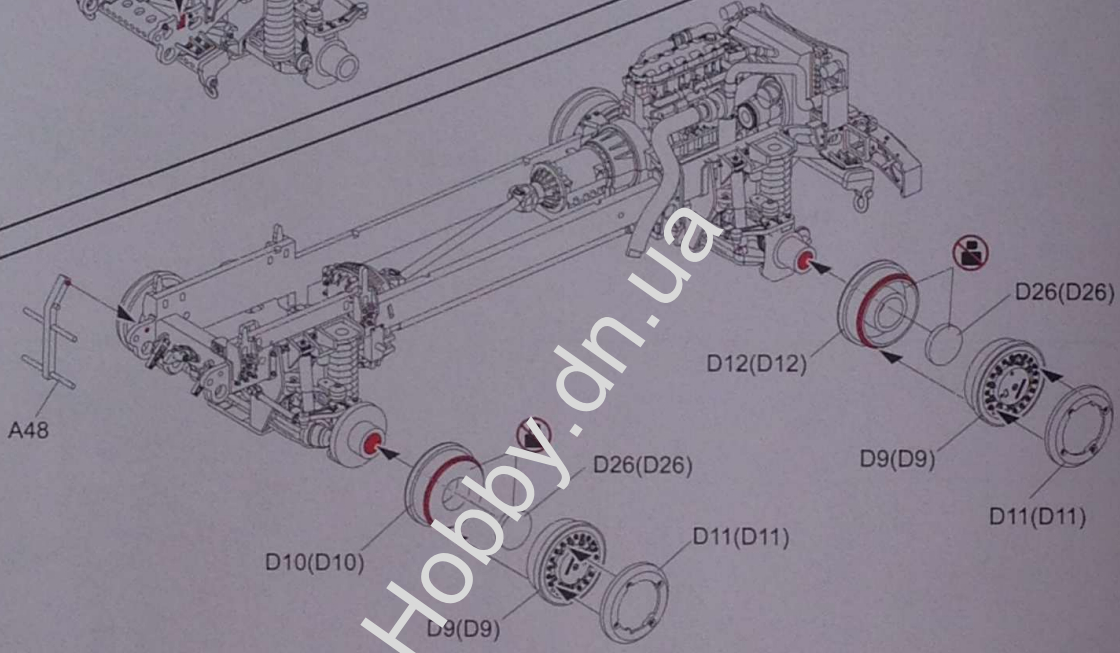
A4



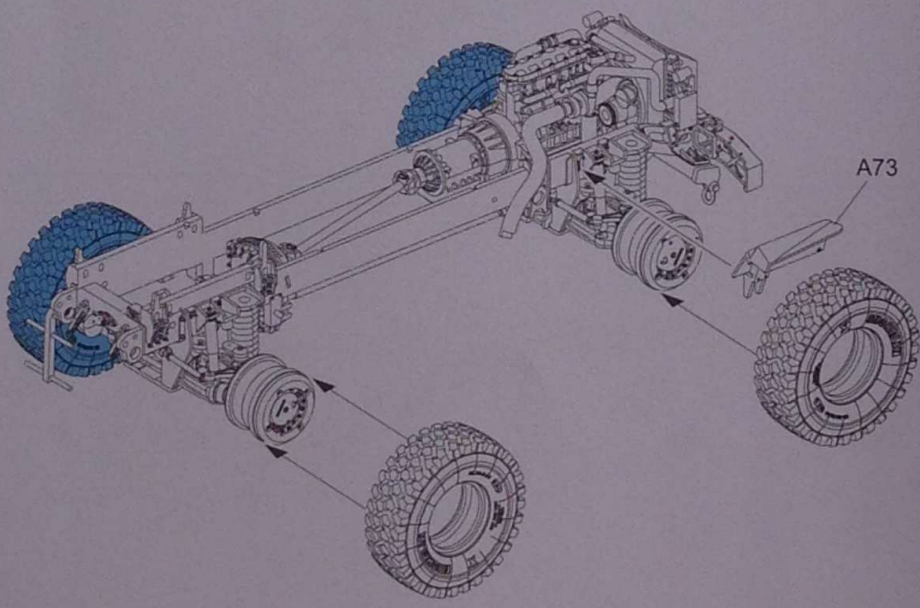
5



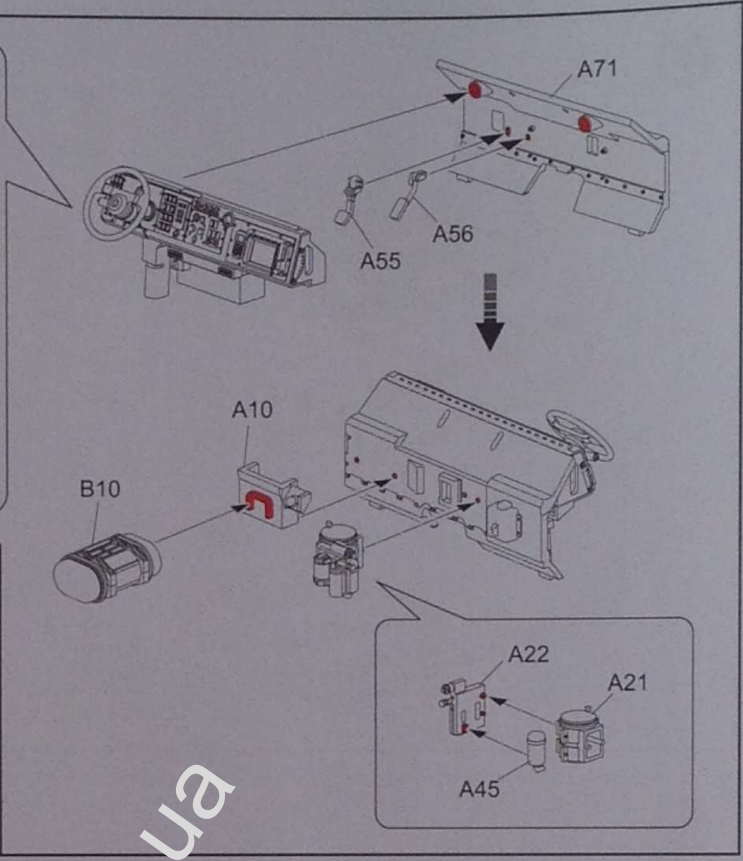
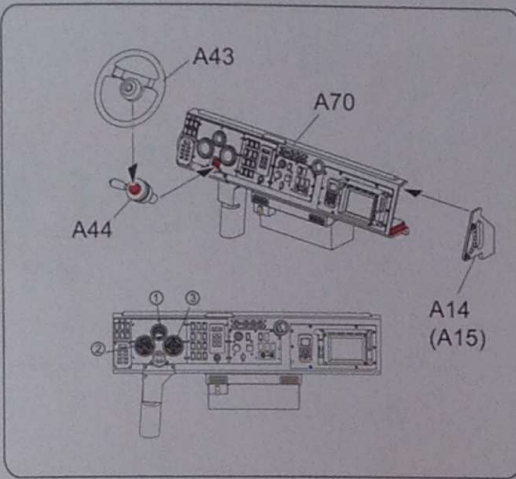
6



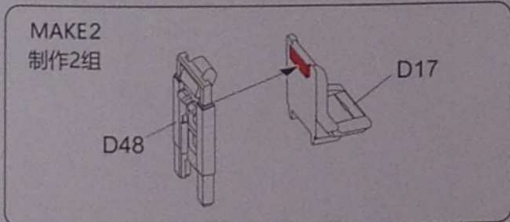
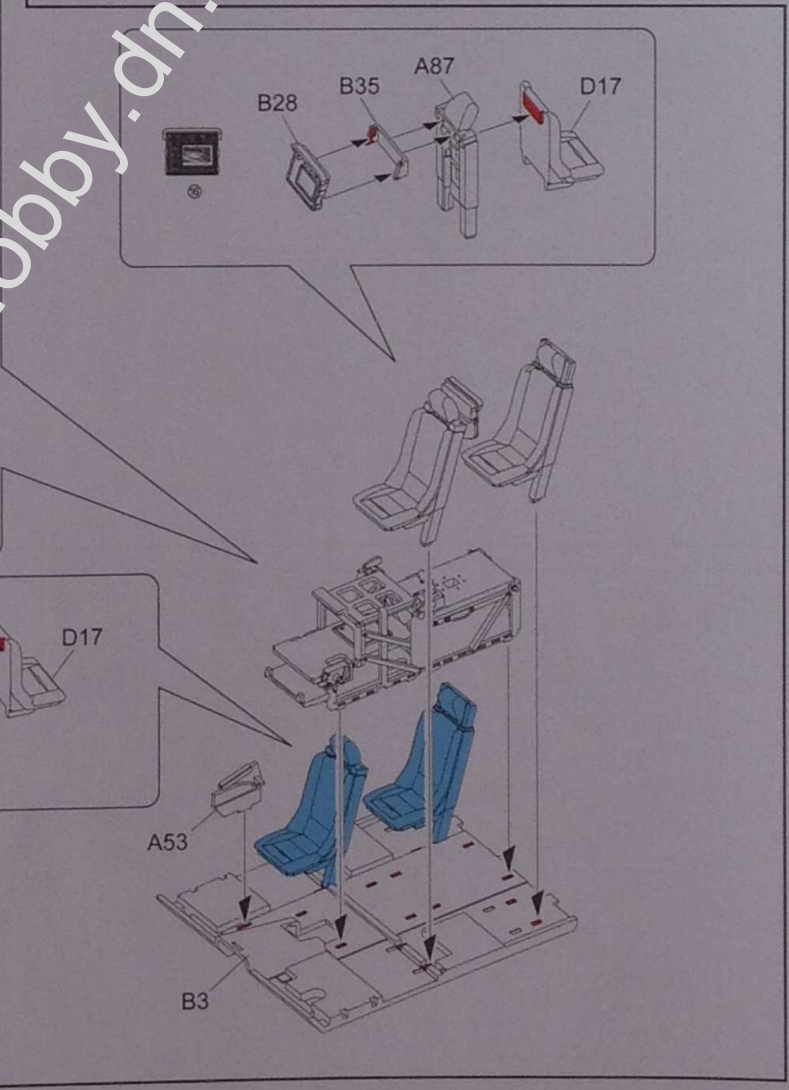
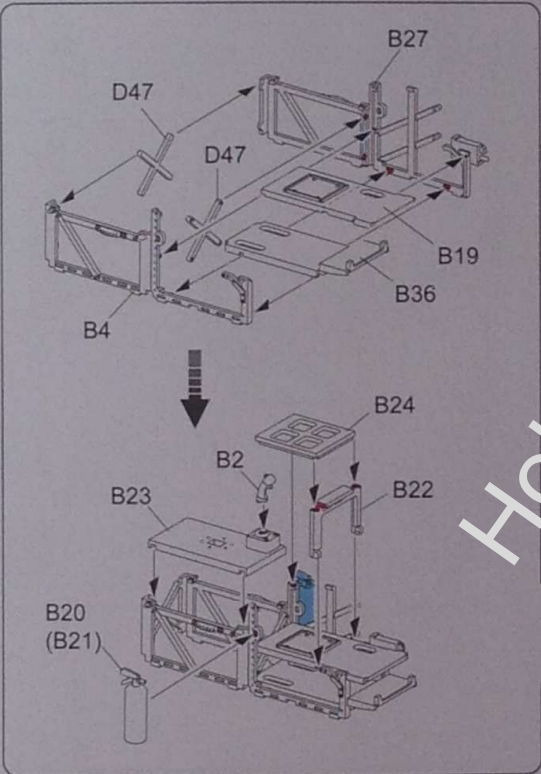
7



8

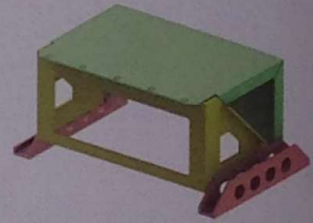
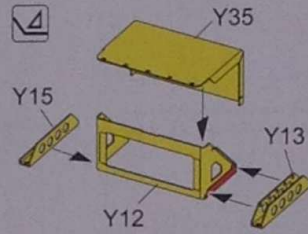
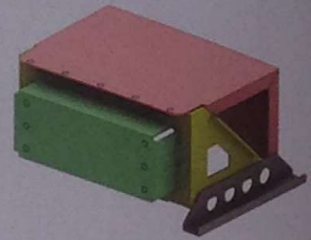
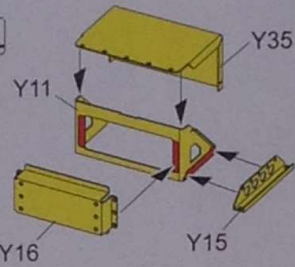
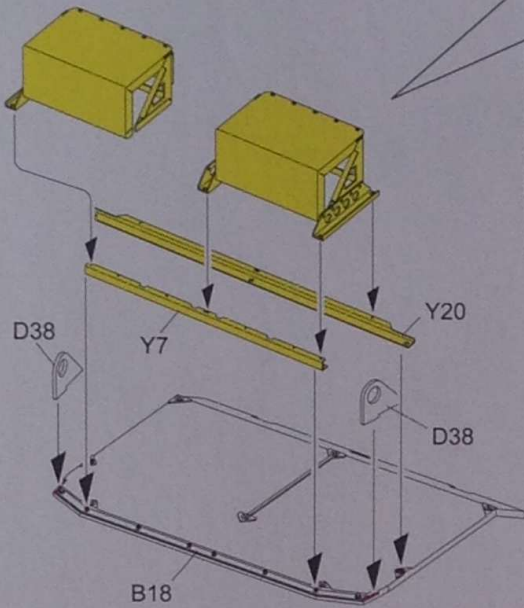


9

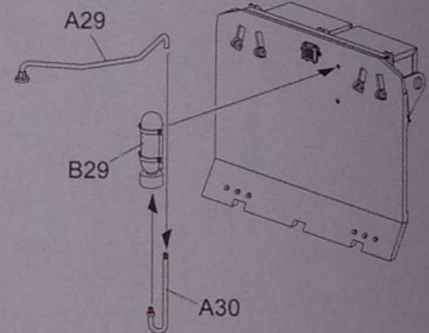
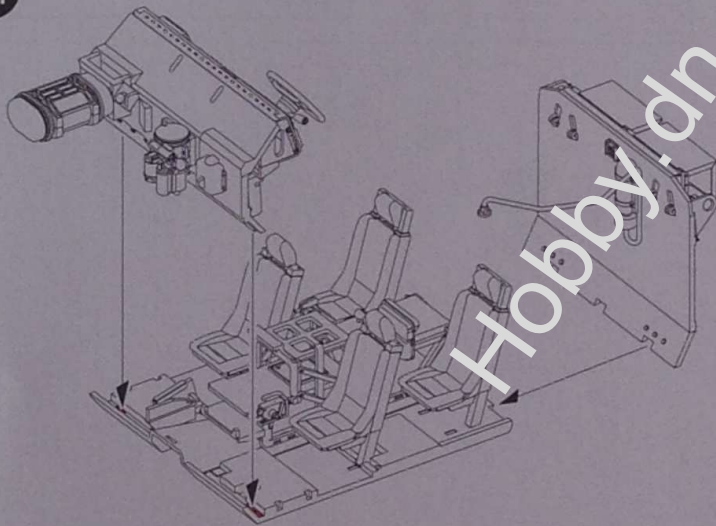


Hobby.dn.ua

10

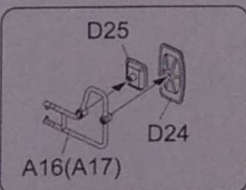
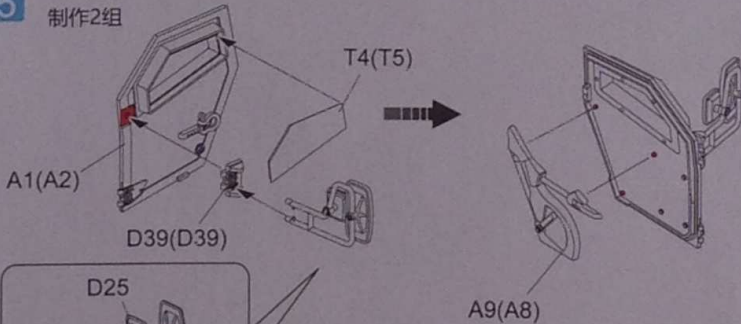


11



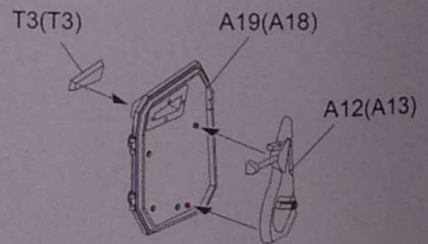
A5

MAKE2
制作2组

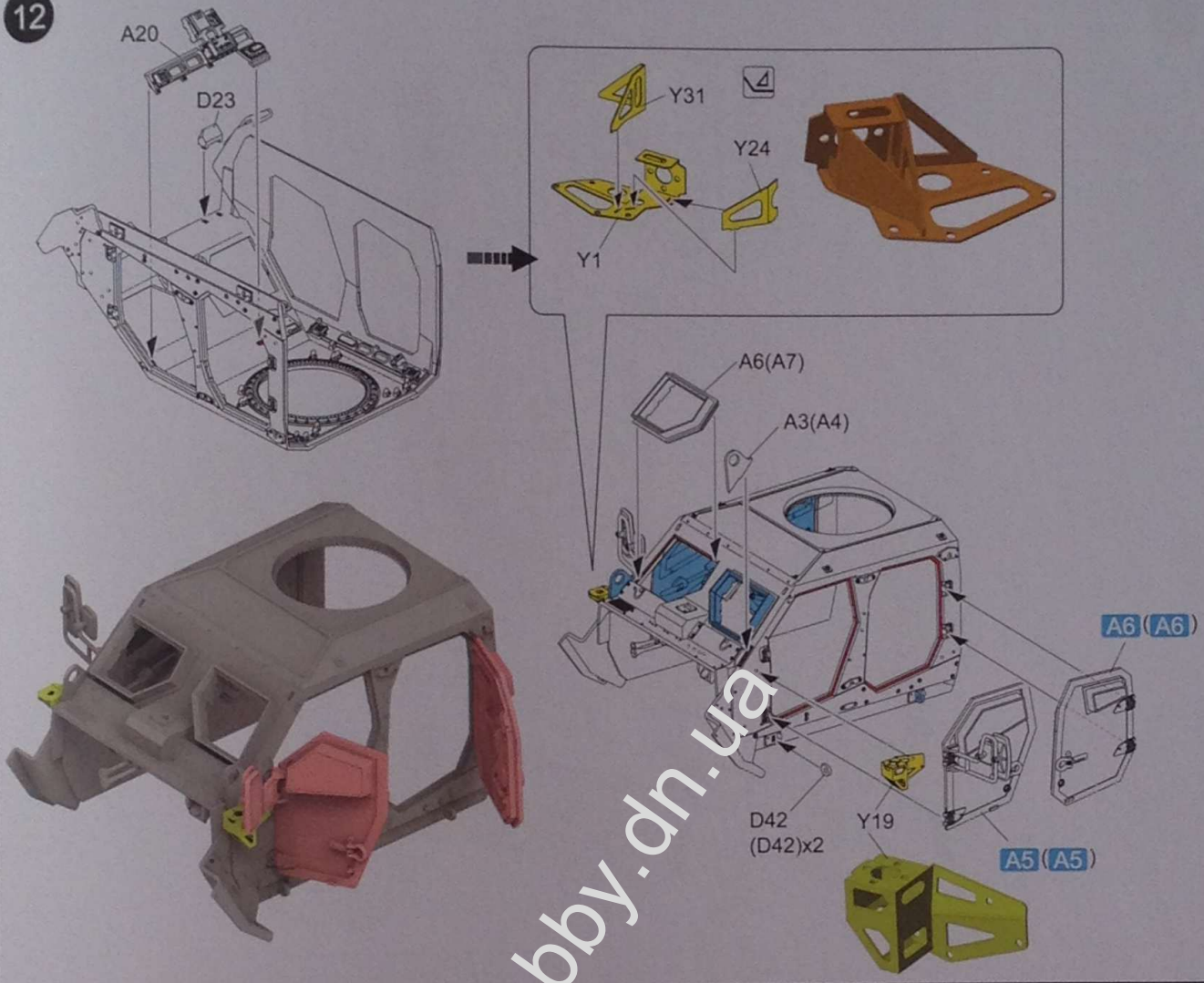


A6

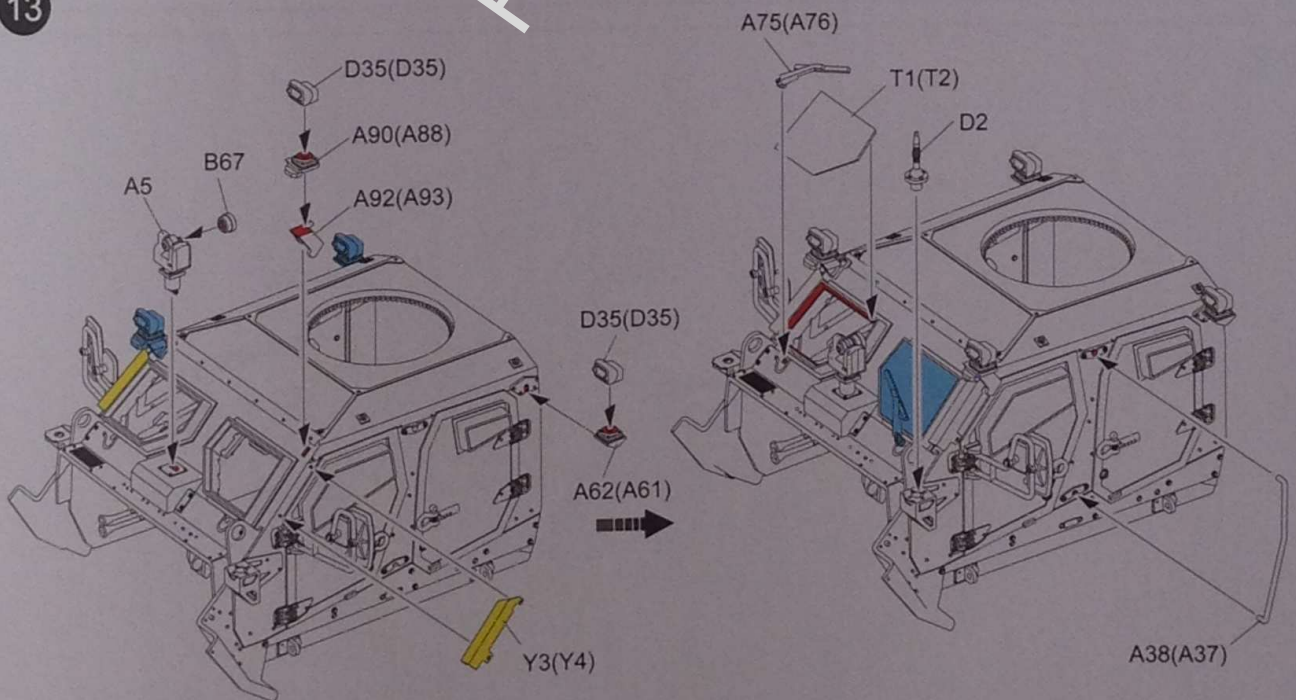
MAKE2
制作2组



12

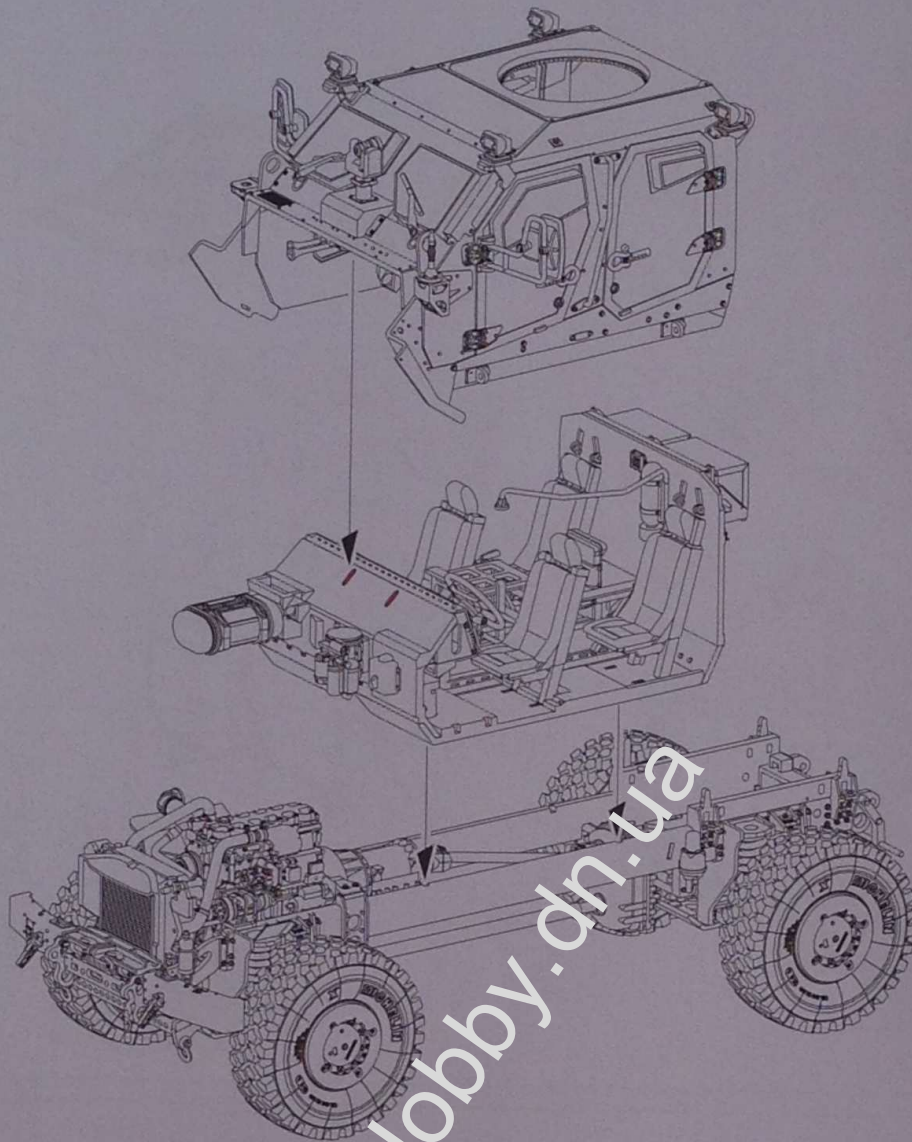


13

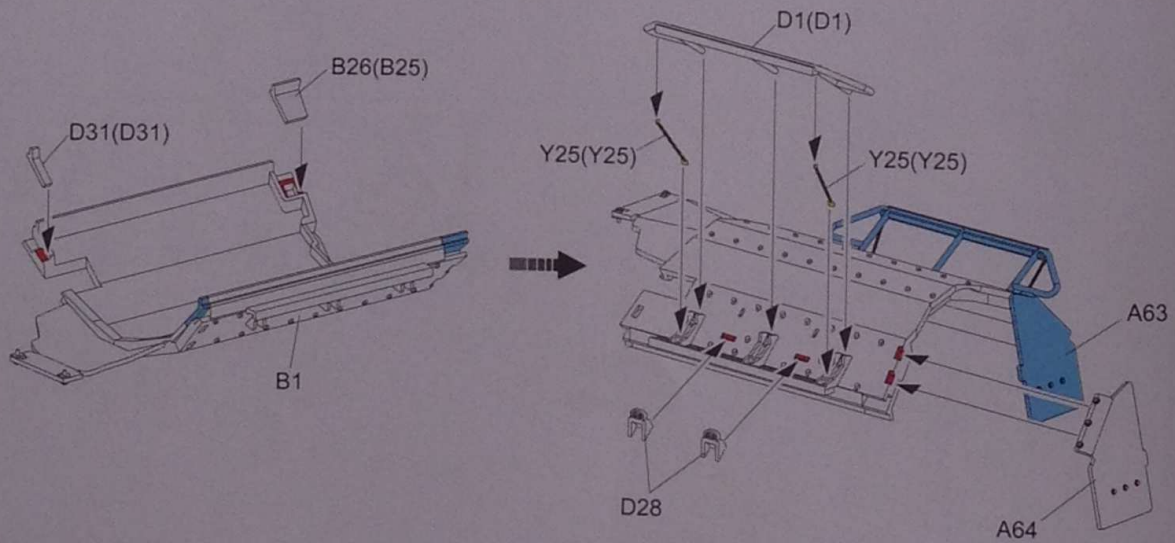


Hobby-dn.ua

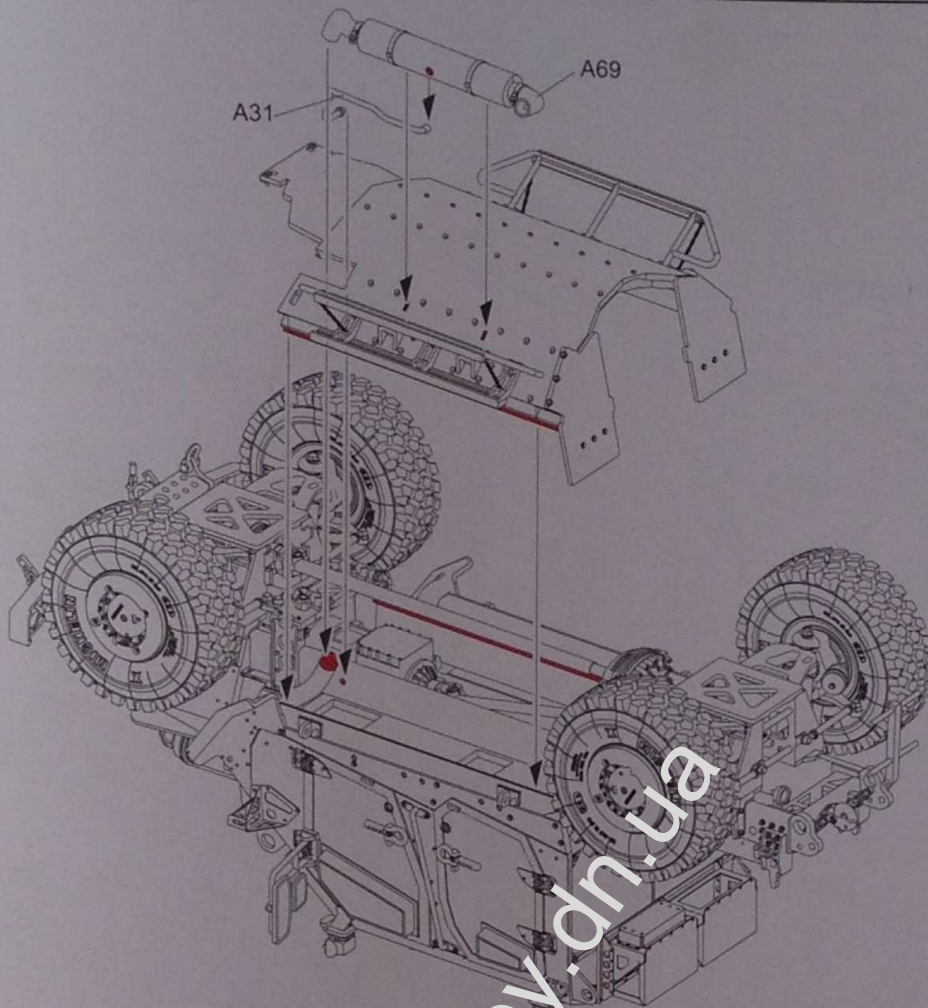
14



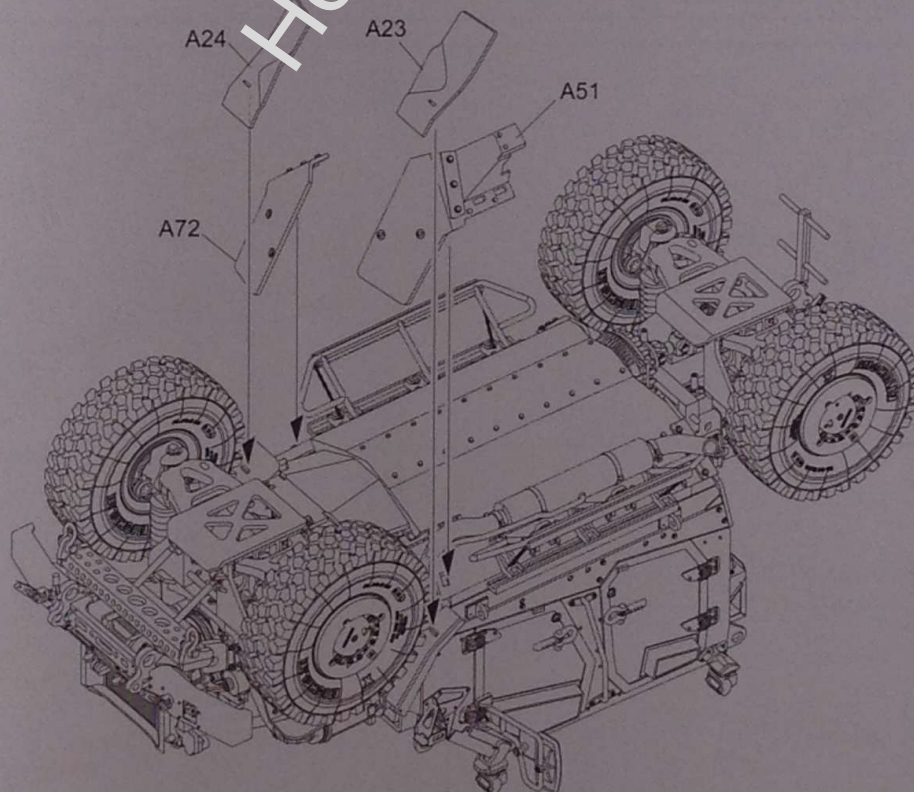
A7



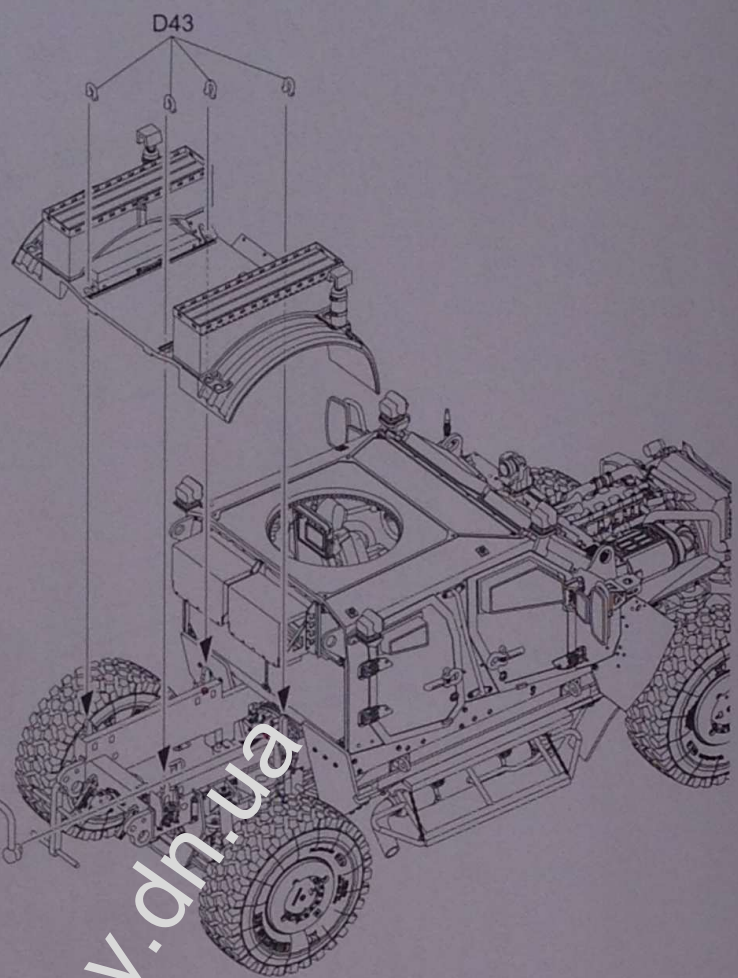
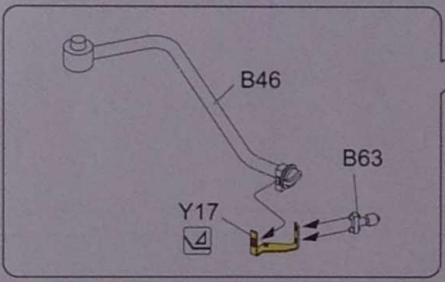
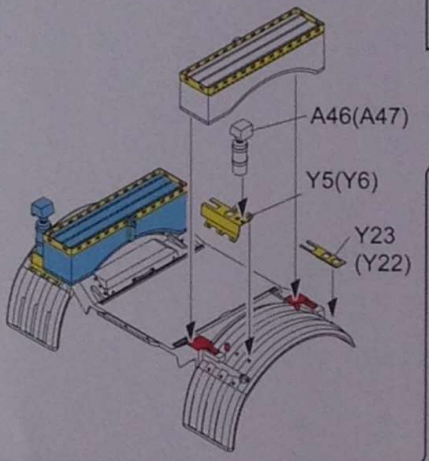
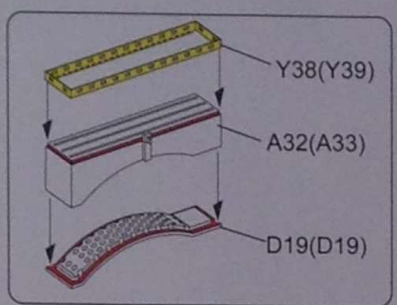
15



16

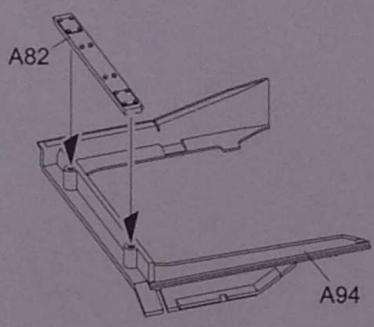


17

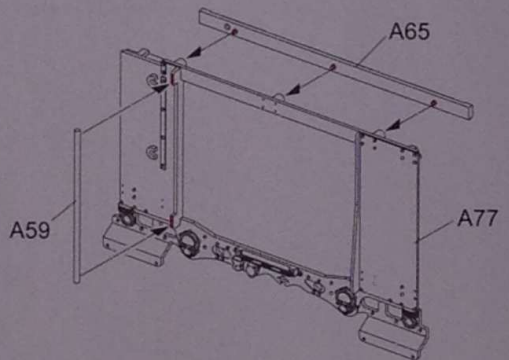


Hobby-dh.ua

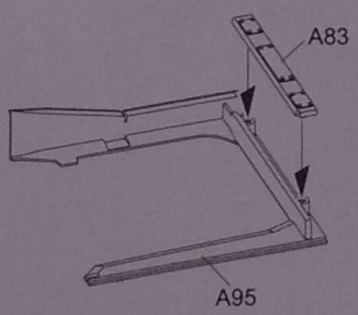
A8



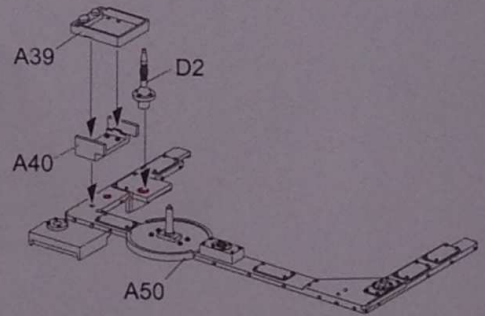
A9



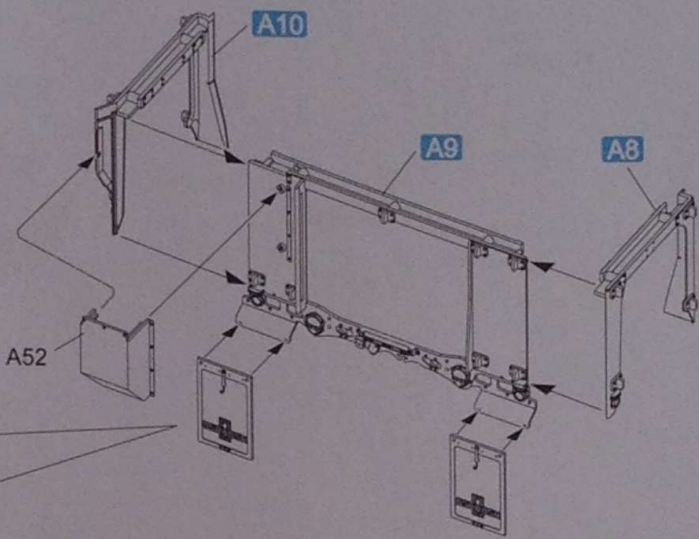
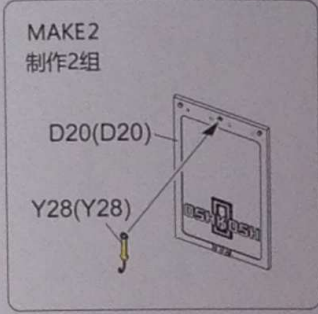
A10



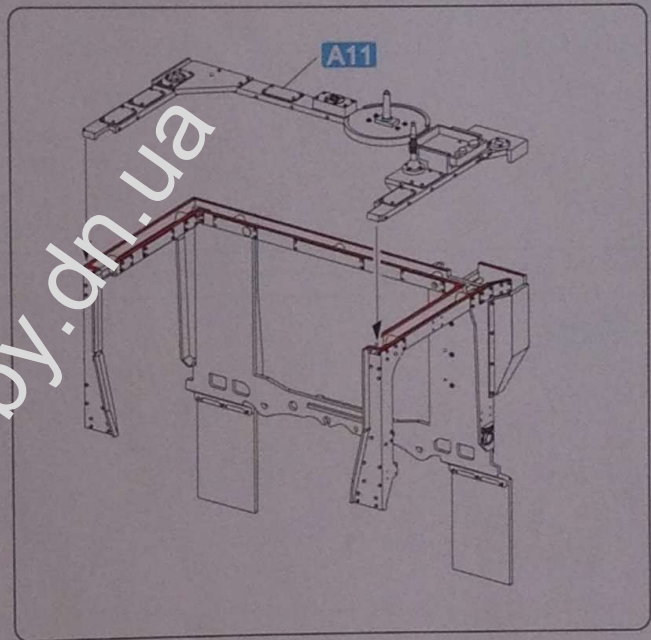
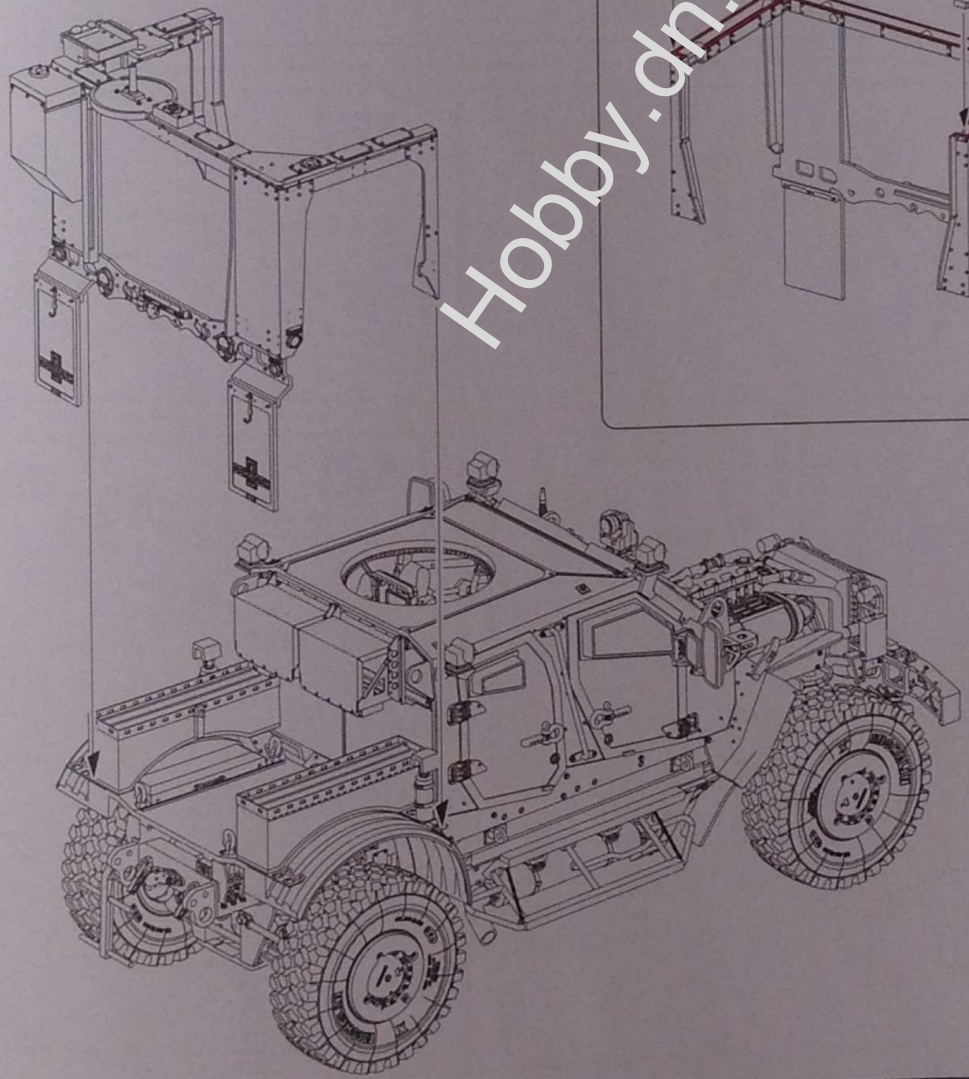
A11



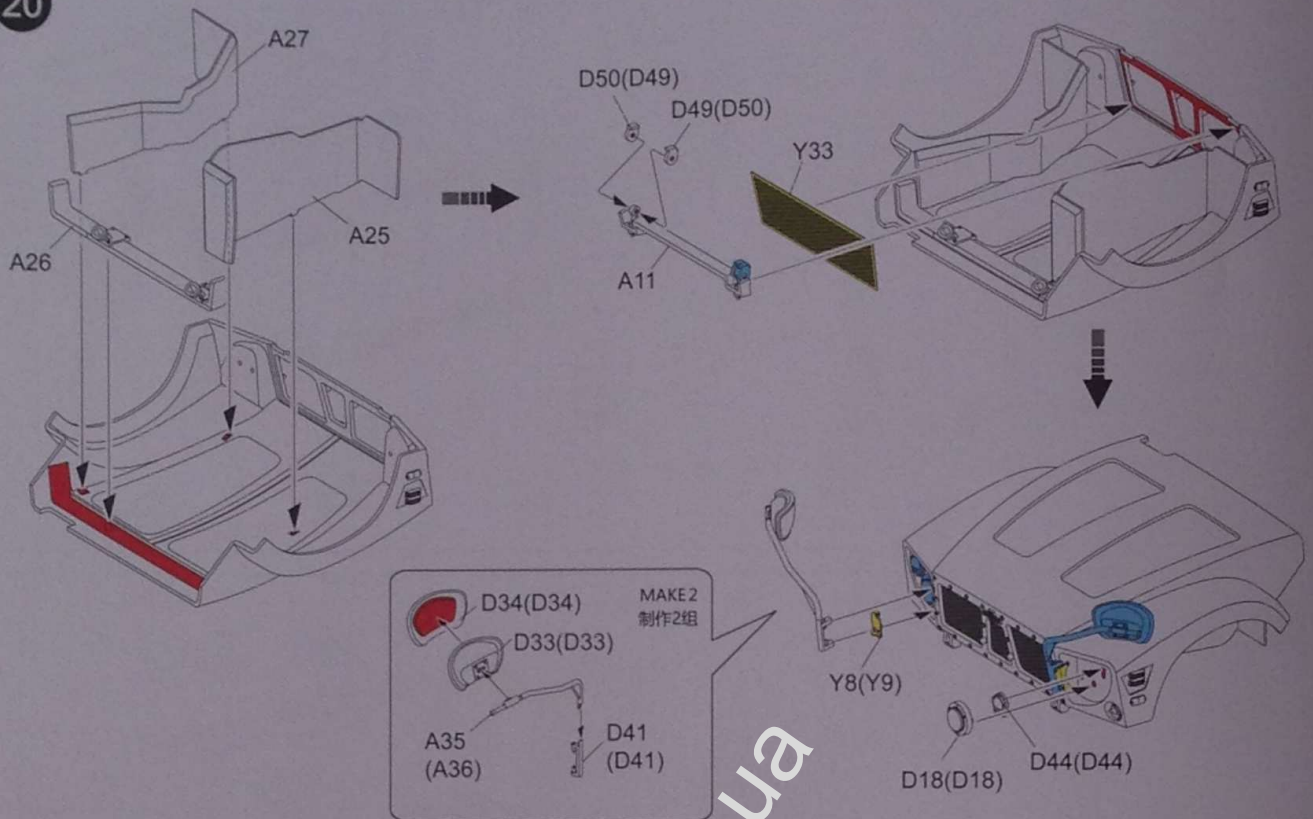
18



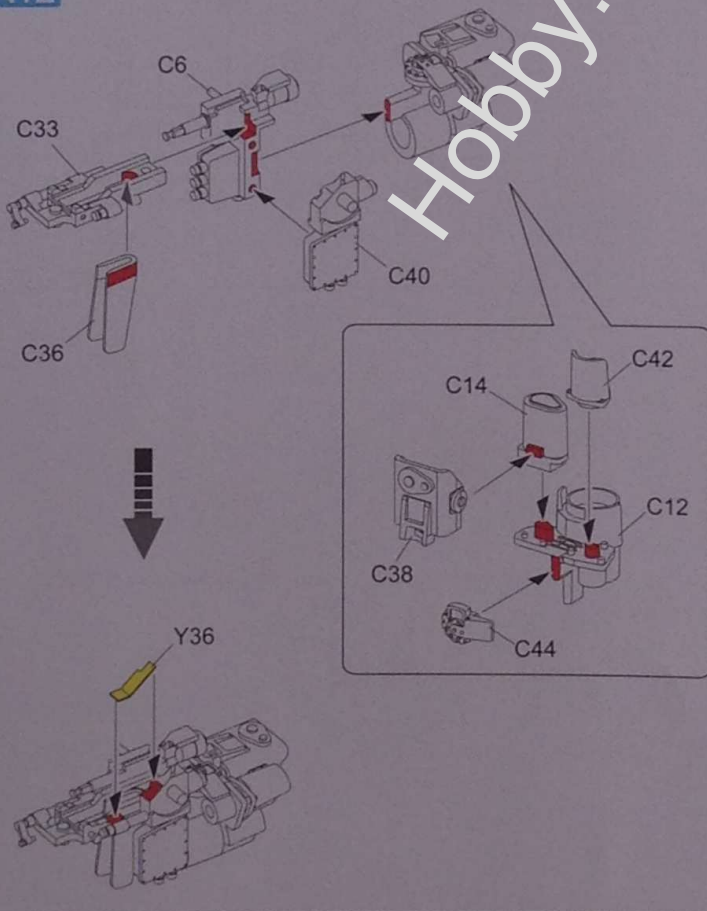
19



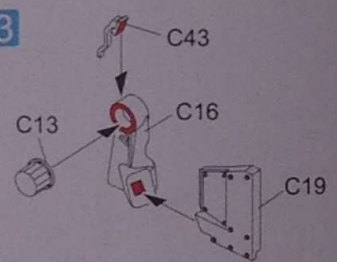
20



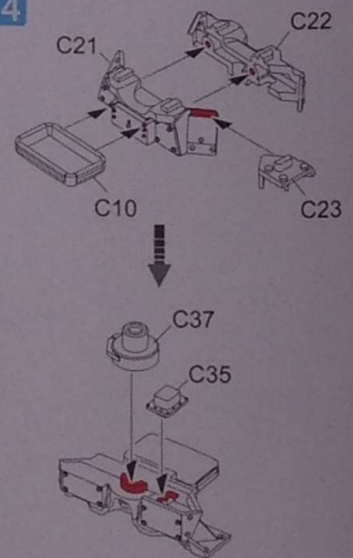
A12



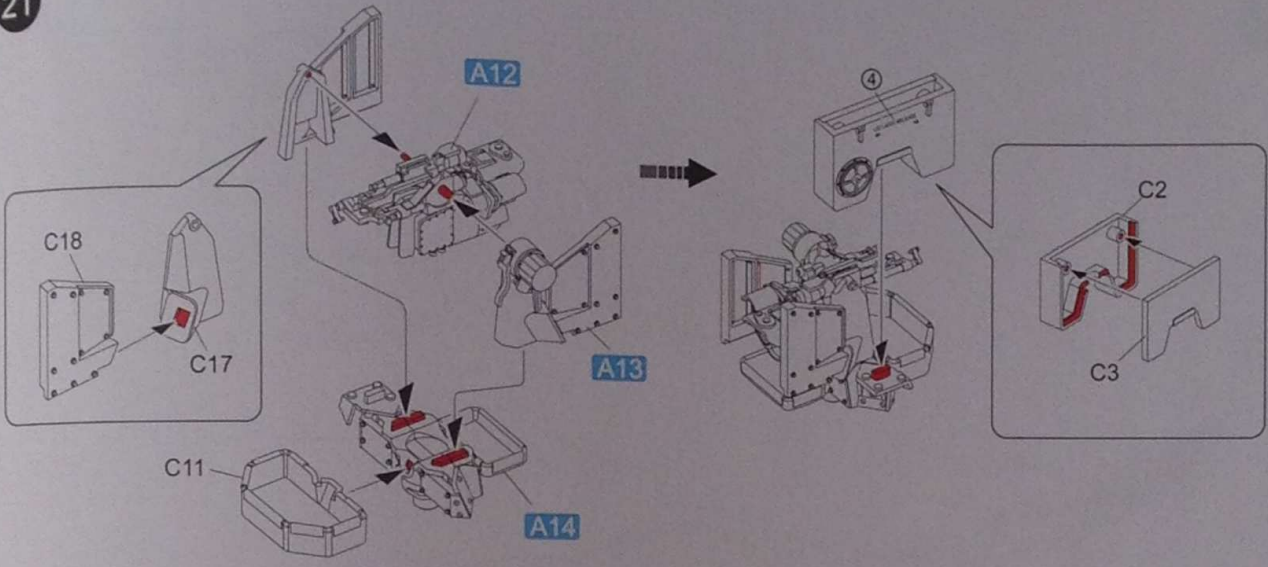
A13



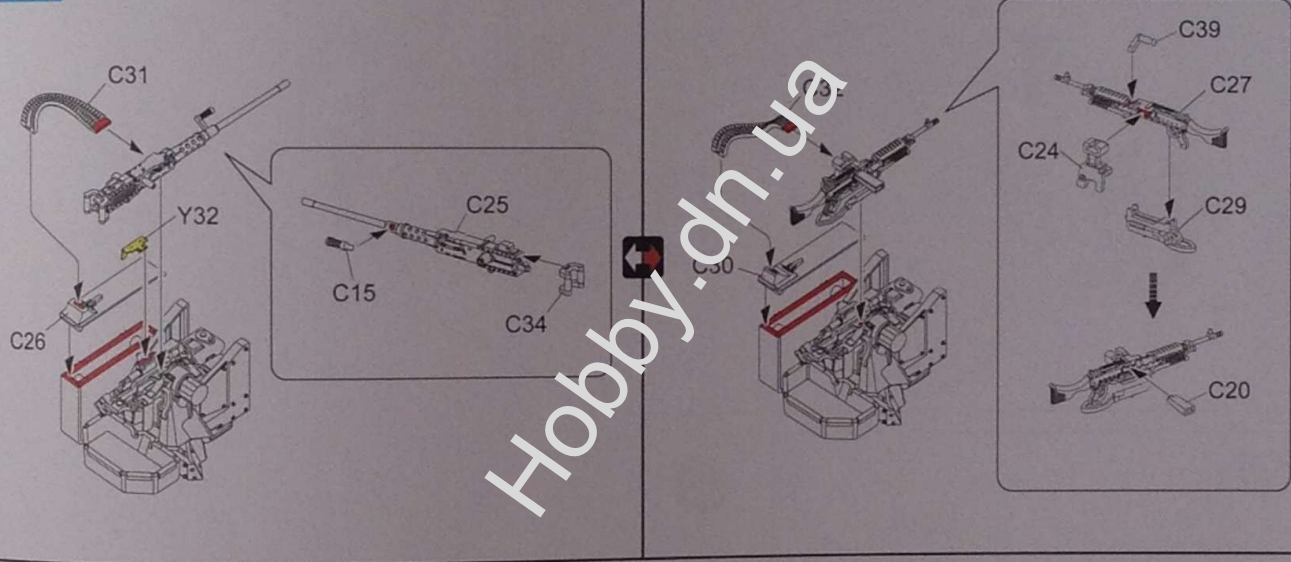
A14



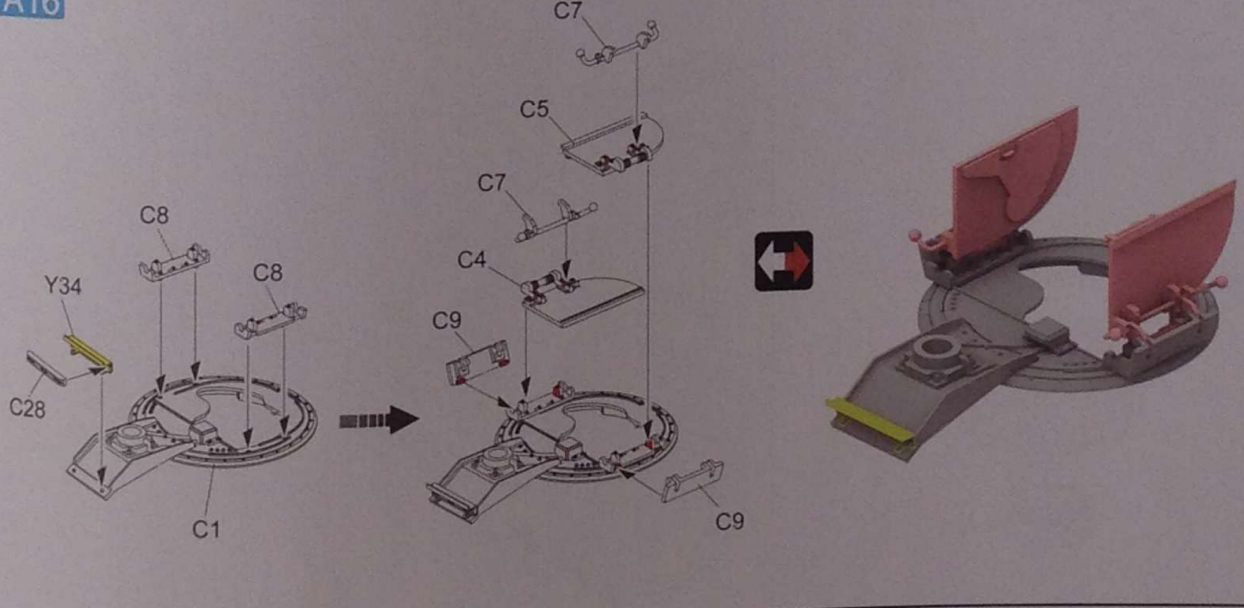
21



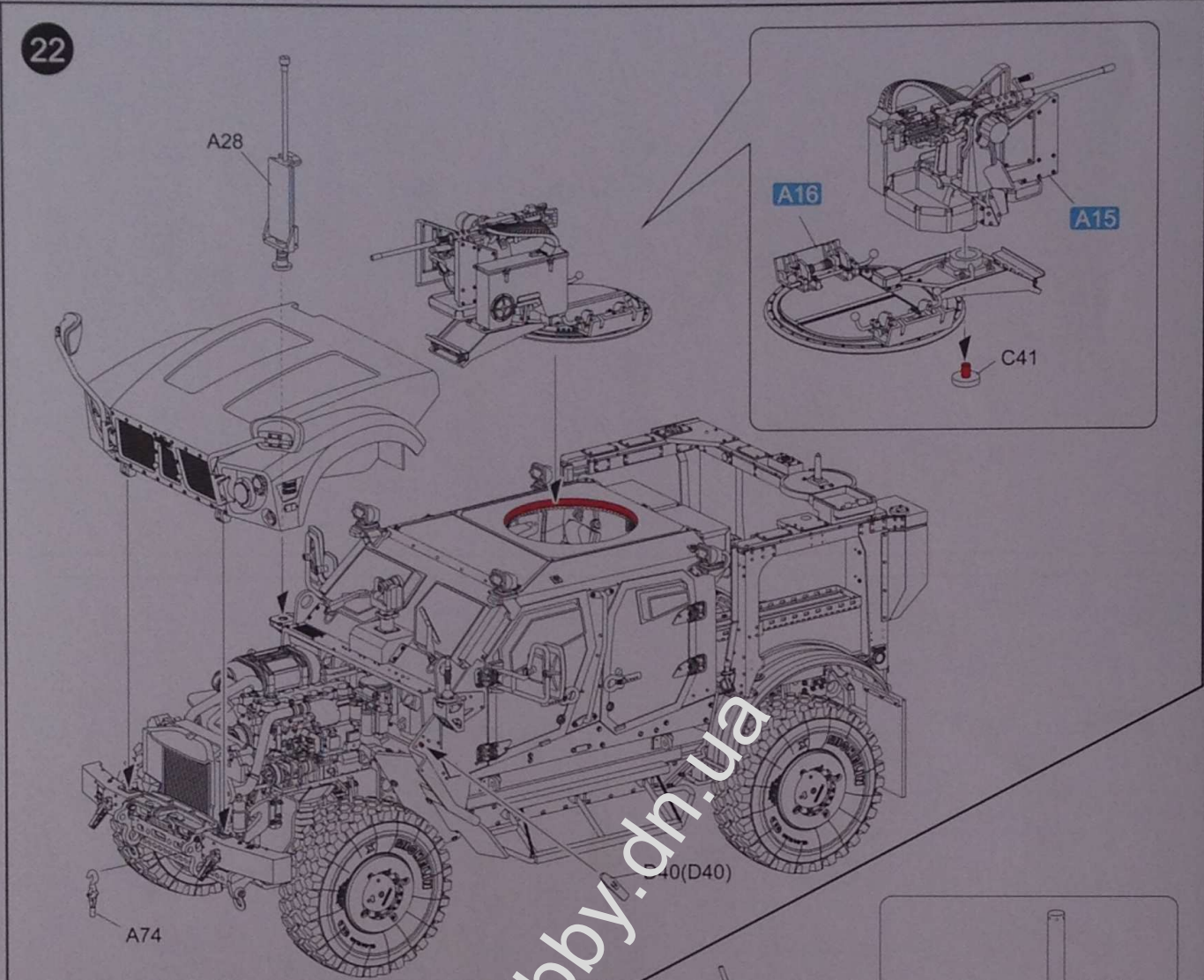
A15



A16

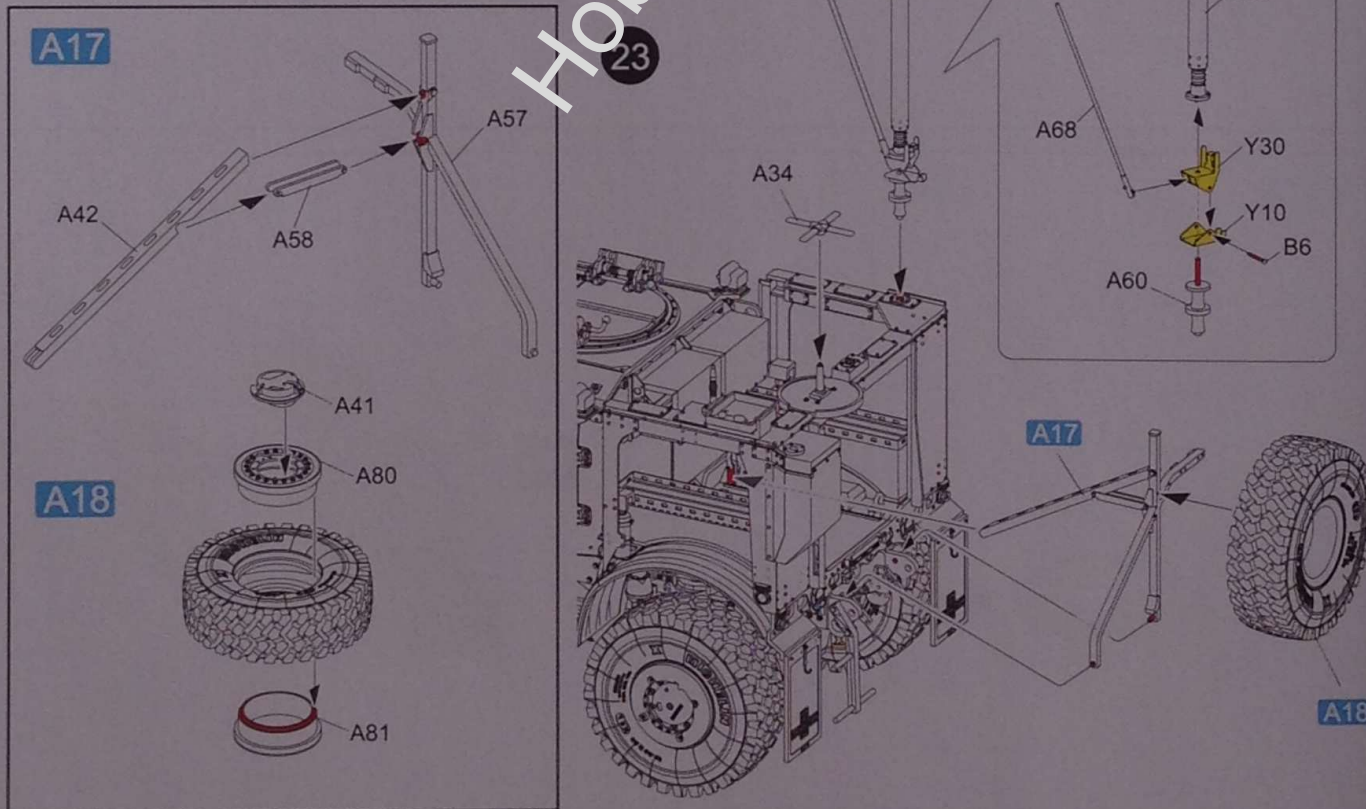


22



A17

23



Oregon National Guard 1-186th Infantry Battalion 41st Infantry Brigade Combat Team (IBCT) in December 2019
俄勒冈州国民警卫队第1-186步兵营第41步兵旅战斗队 (IBCT) 索马里, 2019年12月

