

# U.S. MAIN BATTLE TANK

## M1A1 ABRAMS 1991

**RMF**  
Ryefield Models  
**RM-5006**



### Assembly Icon



OPTIONAL  
选择



CEMENT  
膠水



DO NOT CEMENT  
不使用膠水



INSTANT CEMENT  
瞬間接著劑



BEND  
彎折



MAKE 2pcs  
製作2組



OPEN HOLE  
鑽孔



CAT  
切除



BE CAREFUL  
注意



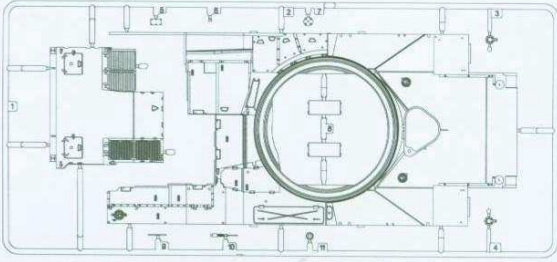
APPLY DECAL  
貼上水貼紙



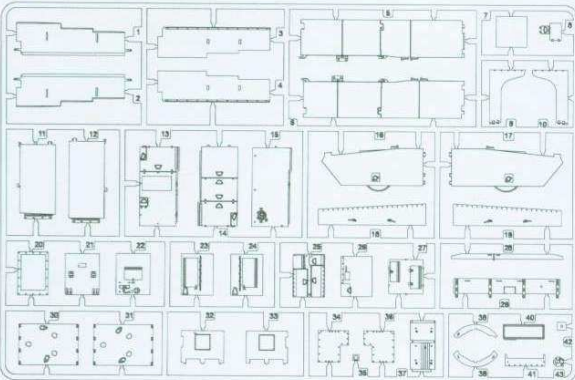
Read carefully and fully understand the instructions before commencing assembly.  
Supervising adult should also read the instructions if a child assembles the model.  
When you used glue or paint, do not use near a naked flame, and use in a well-ventilated room.  
When assembling this kit, tools including knives are used. Extra care should be taken to avoid personal injury.  
Read and follow the instructions supplied with paints and/or cement. Use plastic cement and paints only.  
Keep out of reach of small children. Children must not be allowed to suck any part, or pull vinyl bag over the head.

在裝配前仔細閱讀說明並完全理解。小孩裝配時需成人看護且需仔細閱讀說明。  
使用膠水和油漆時，應遠離火源並打開窗戶保持空氣流通。  
製作時請格外注意工具刀和零件的鋒利尖銳部分，避免對身體造成傷害。  
在使用膠水和油漆前仔細閱讀注意事項，按照說明正確使用膠水和油漆。  
請將本品放在兒童接觸不到的地方，套件中的塑膠包裝袋會對兒童造成窒息的危險。

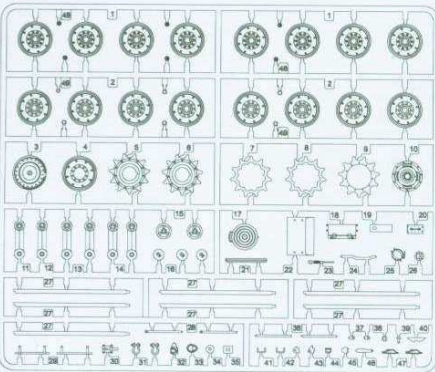
**A X1**



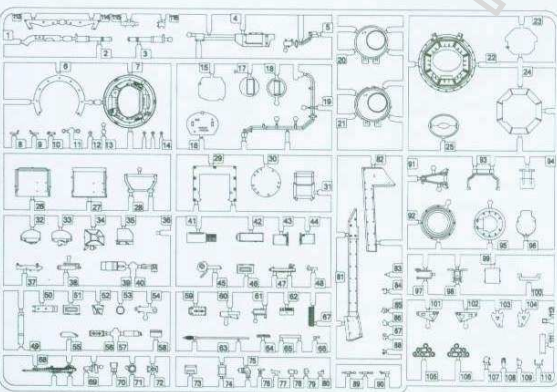
**B X1**



**C X2**



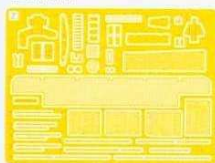
**E X1**



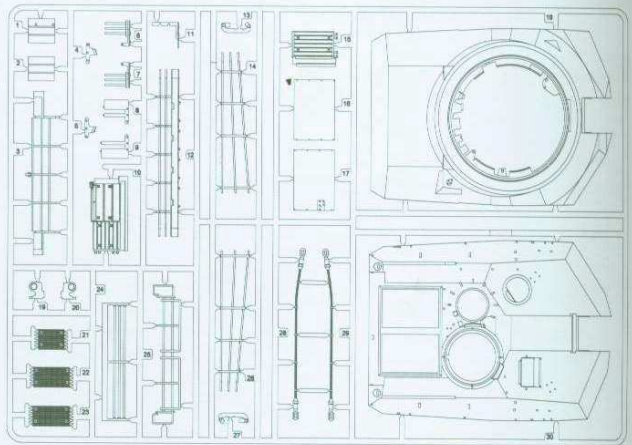
**Decal X1**



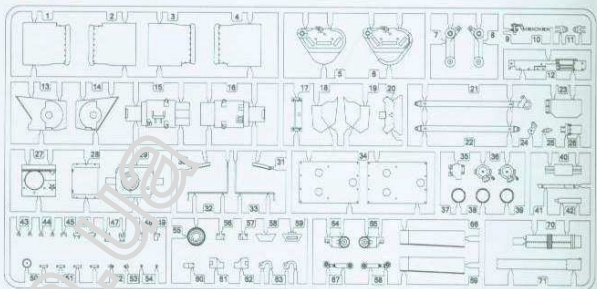
**Z X1**



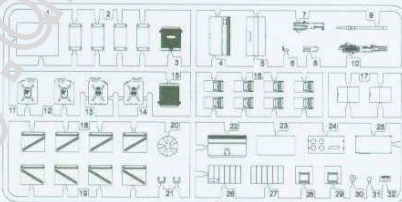
**D X1**



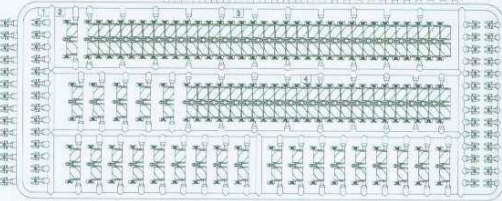
**F X1**



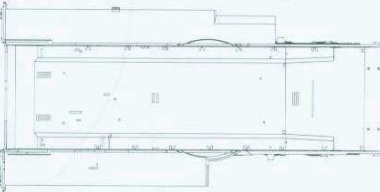
**G X2**



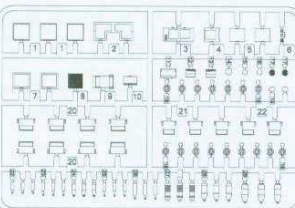
**U X2**



**Lower Hull X1**



**T X1**











# M1A1 ABRAMS 1991

Main Battle Tank - Desert Storm Edition

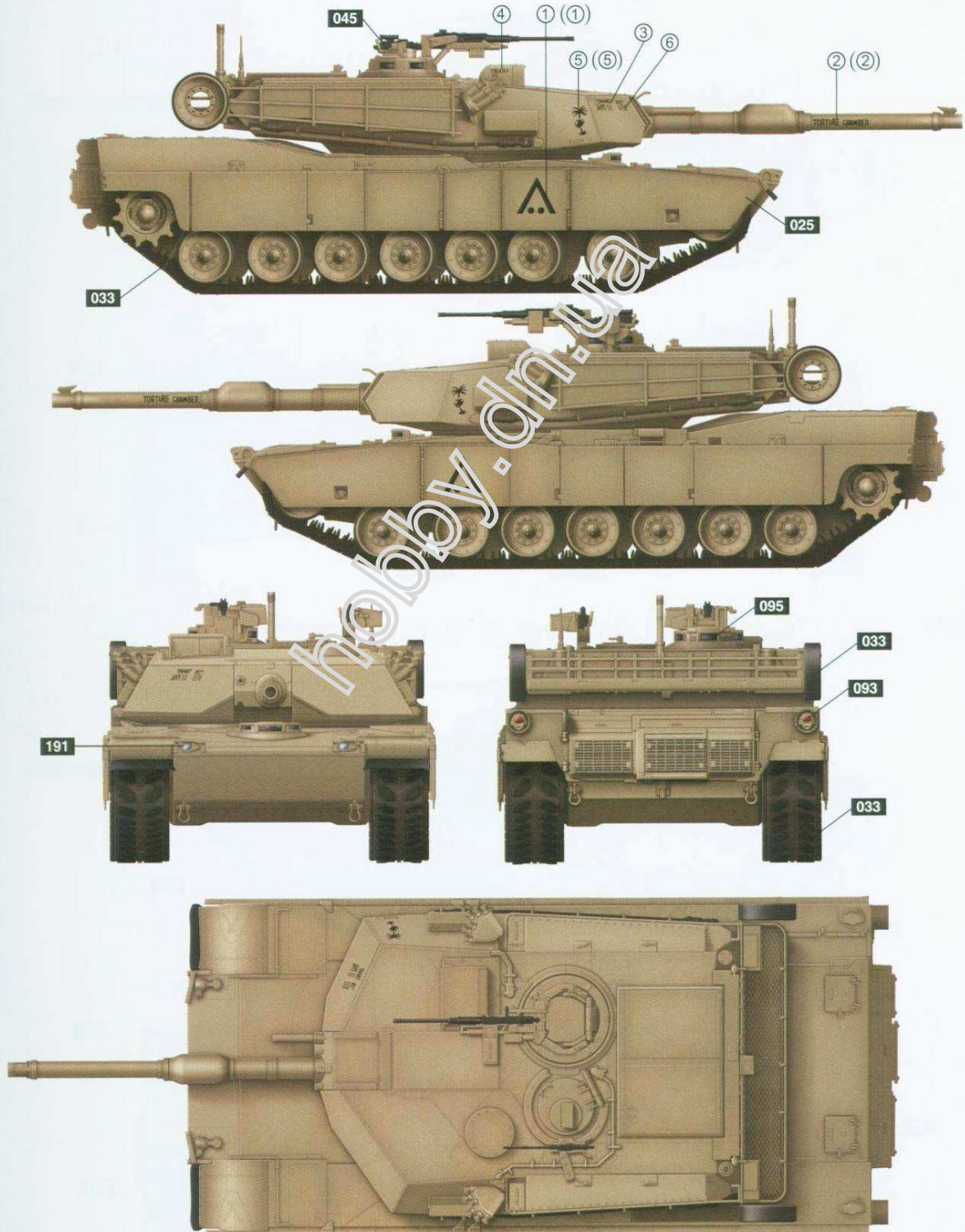
Color info and profiles by



## Painting and Marking Guide

-  A.MIG 025 US Modern Vehicles
-  A.MIG 033 Rubber & Tires
-  A.MIG 045 Gun Metal
-  A.MIG 093 Crystal Red
-  A.MIG 095 Crystal Smoke
-  A.MIG 191 Steel

M1A1 Abrams, Cia "B", 2nd Bon, Marine Battle Tanks, KTO February 1991











# M1A1 ABRAMS 1991

Main Battle Tank - Desert Storm Edition

## Painting and Marking Guide

Color info and profiles by



 A.MIG 025 US Modern Vehicles	 A.MIG 033 Rubber & Tires	 A.MIG 045 Gun Metal
 A.MIG 093 Crystal Red	 A.MIG 095 Crystal Smoke	 A.MIG 191 Steel

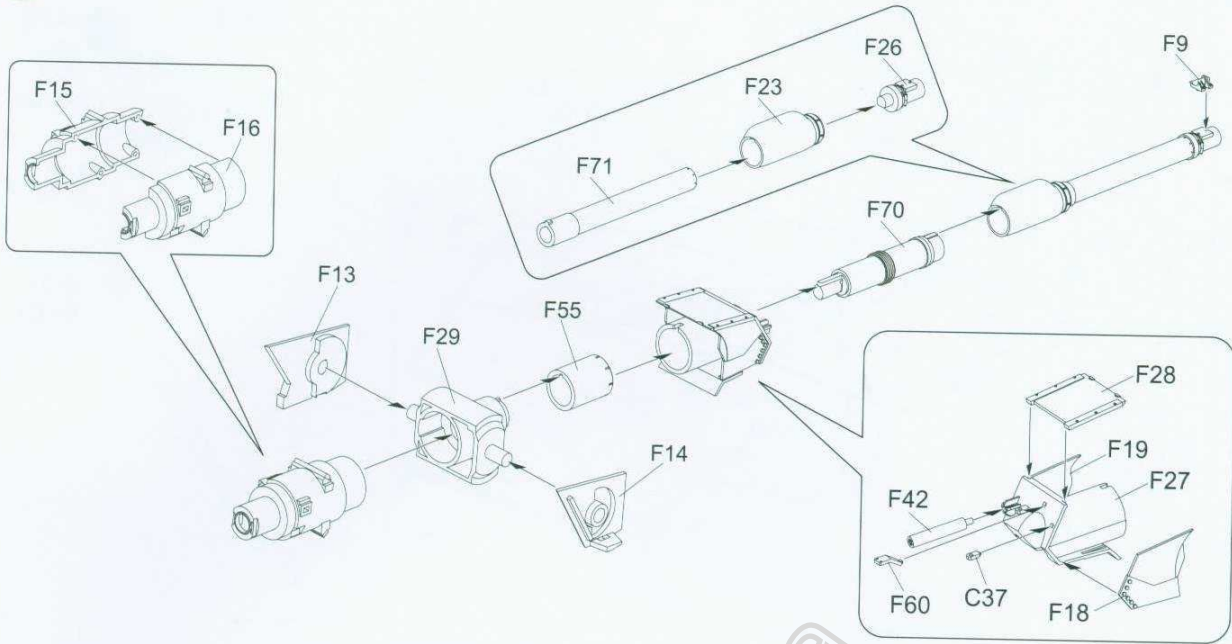
### M1A1 Abrams, A Co., 1-37 Armor, 1st Armd. Div., KTO, January 1991



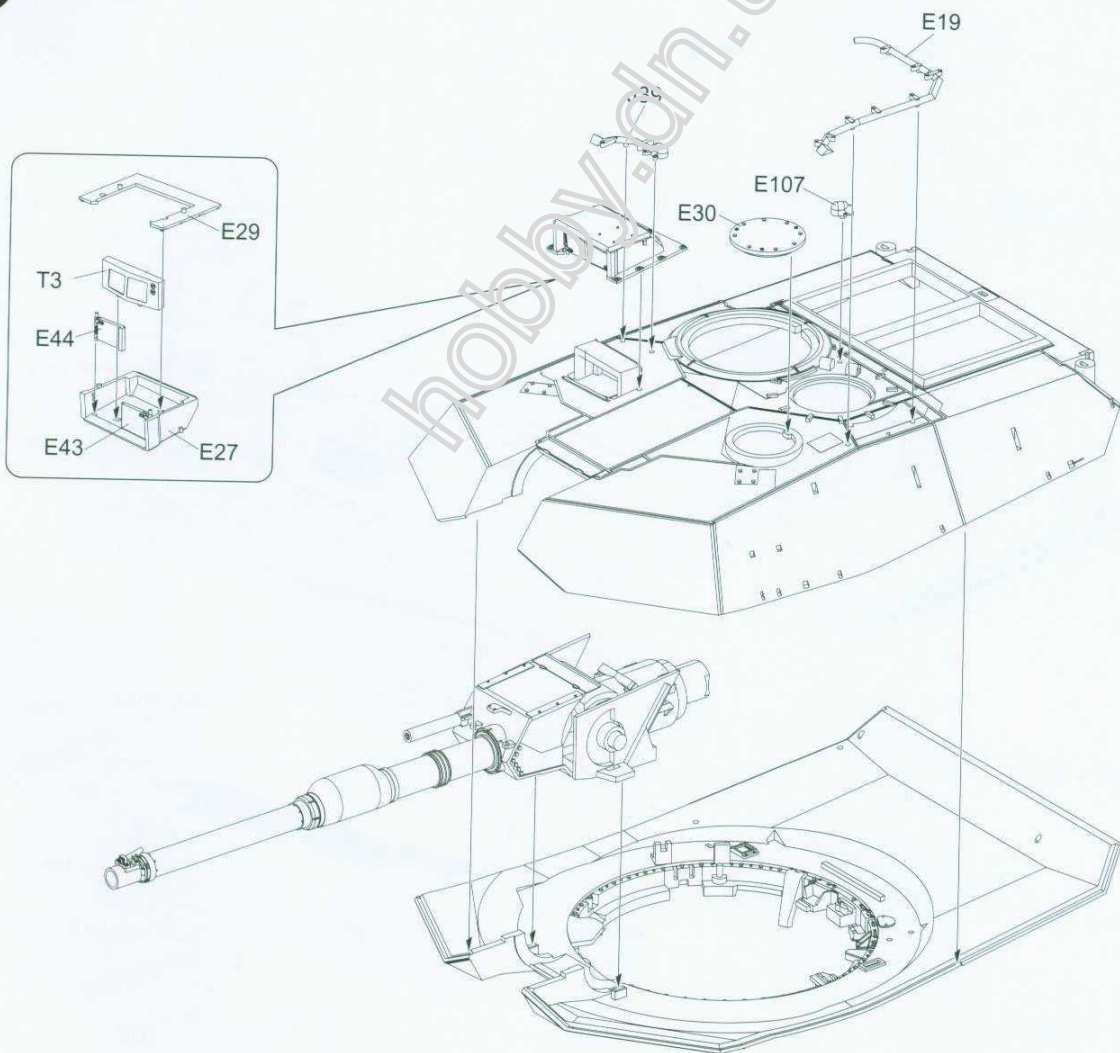
### M1A1 Abrams, D Tp, 1-3 Armd. Cav Regt., KTO, February 1991



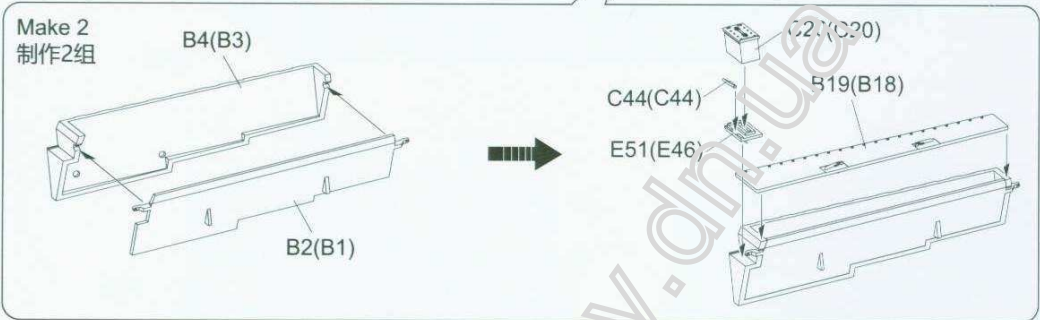
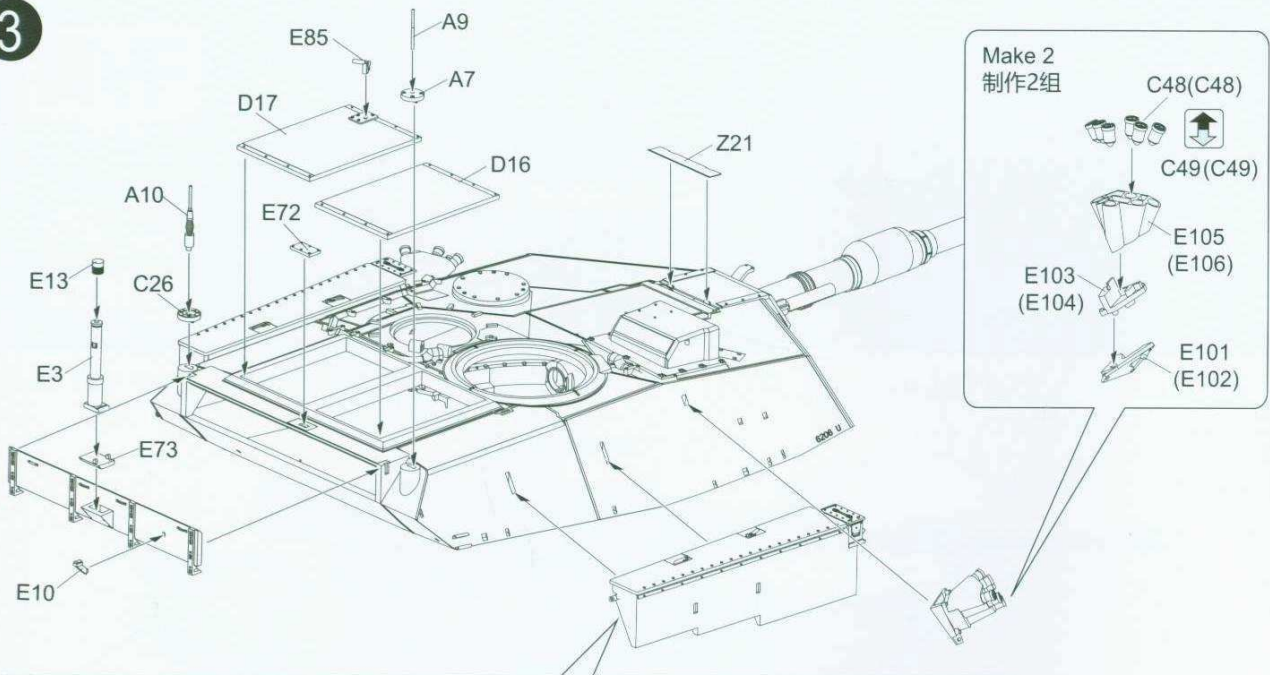
1



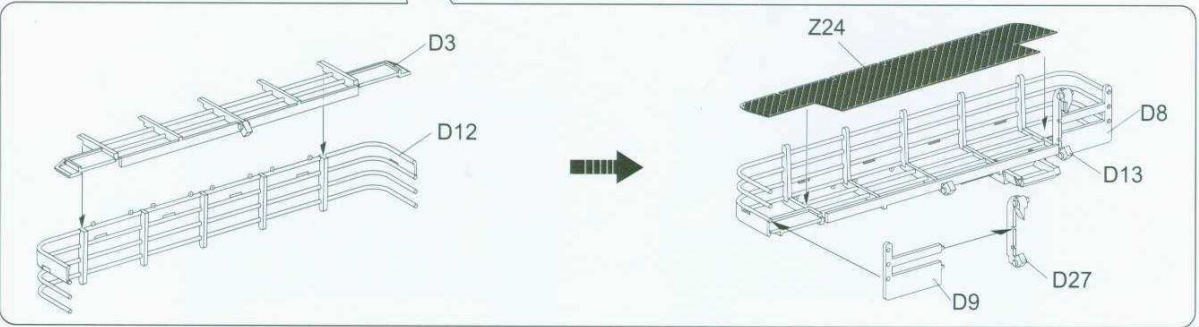
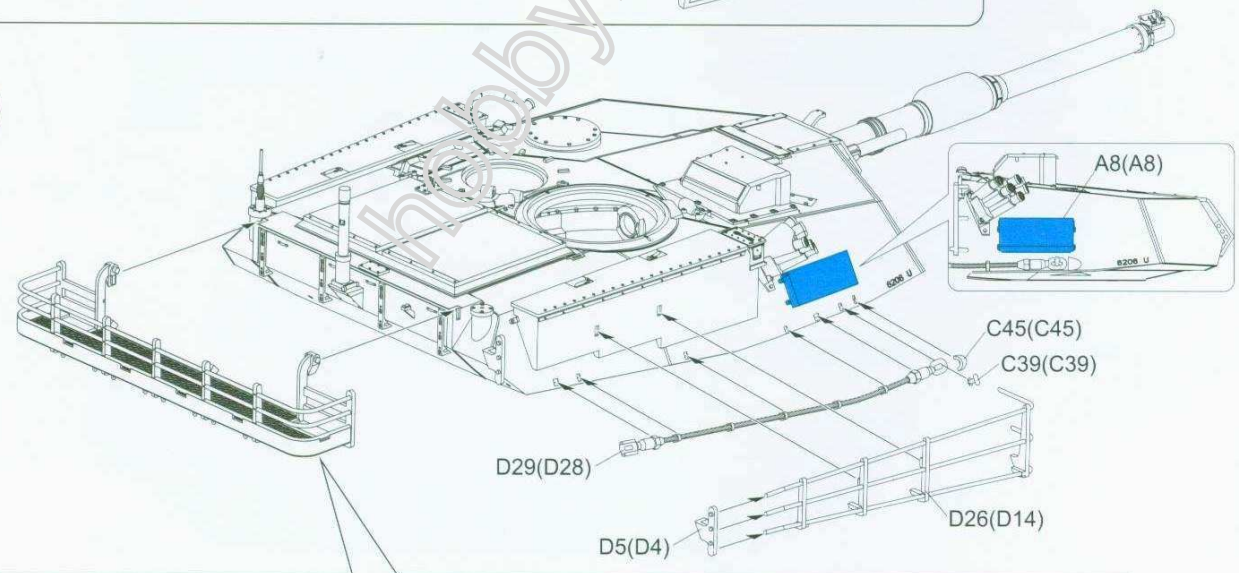
2



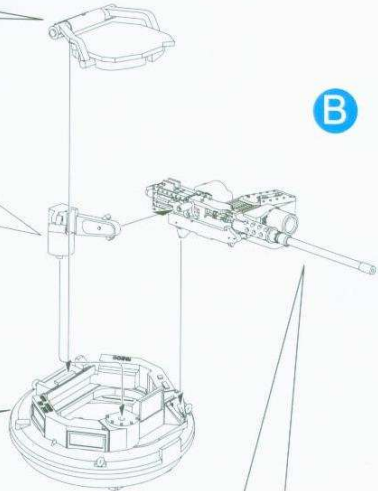
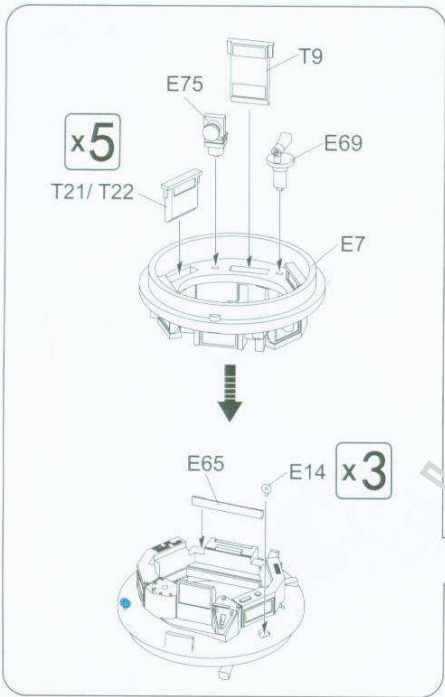
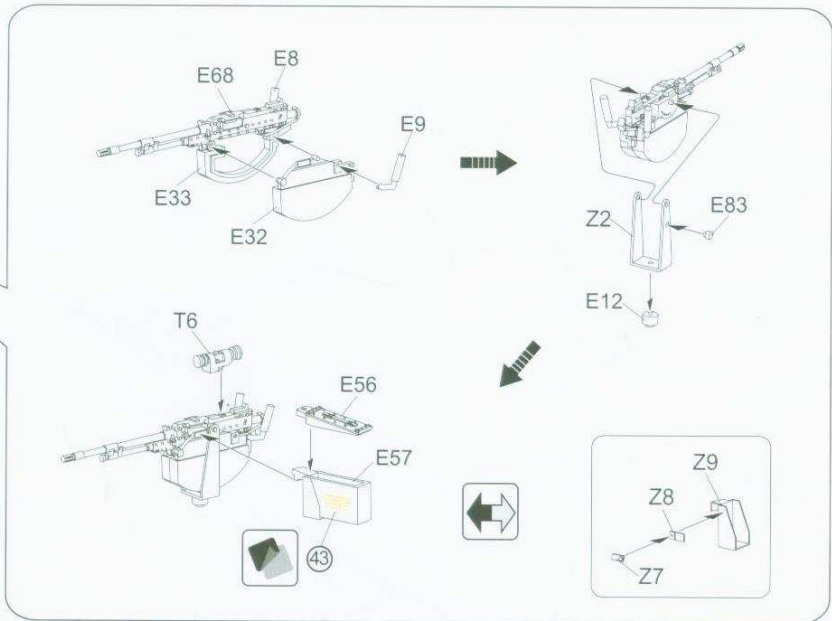
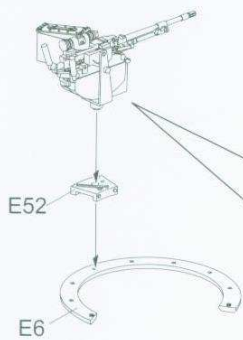
3



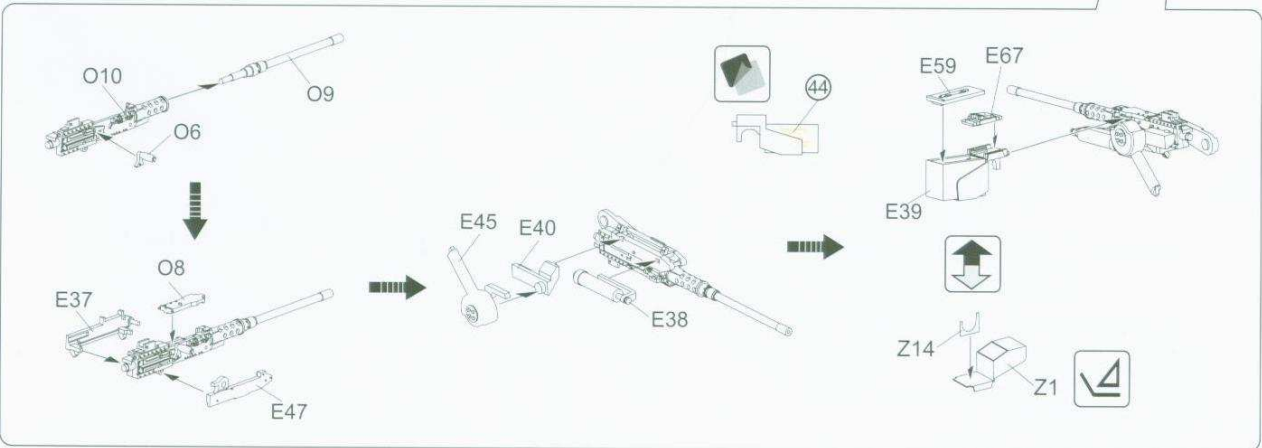
4



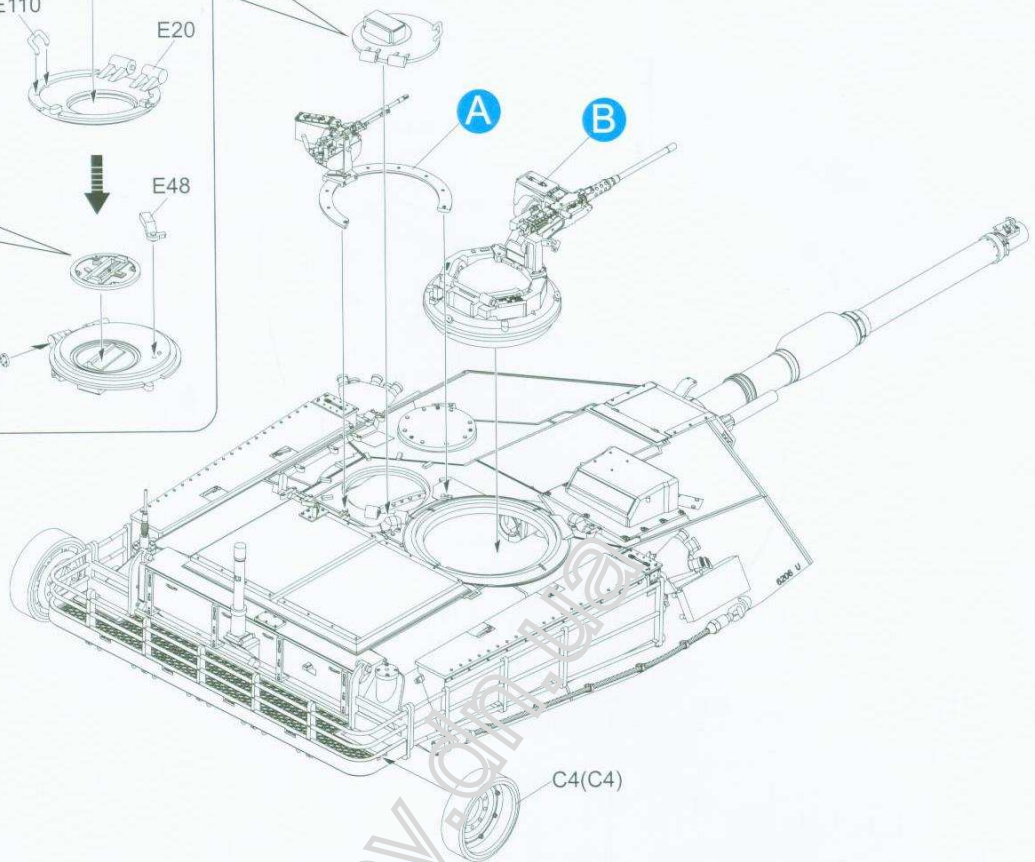
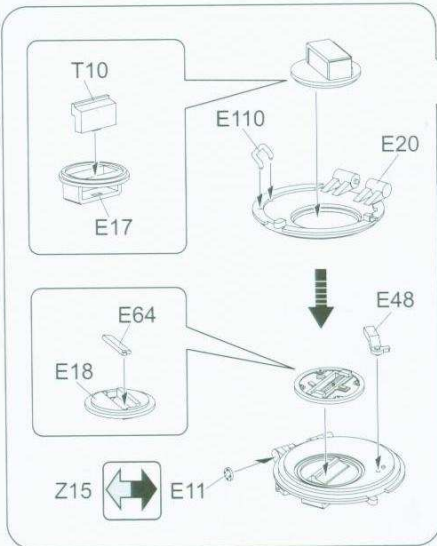
**A**



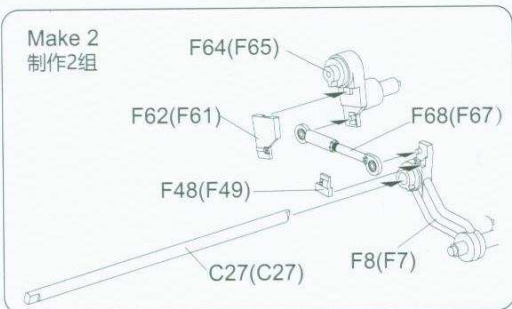
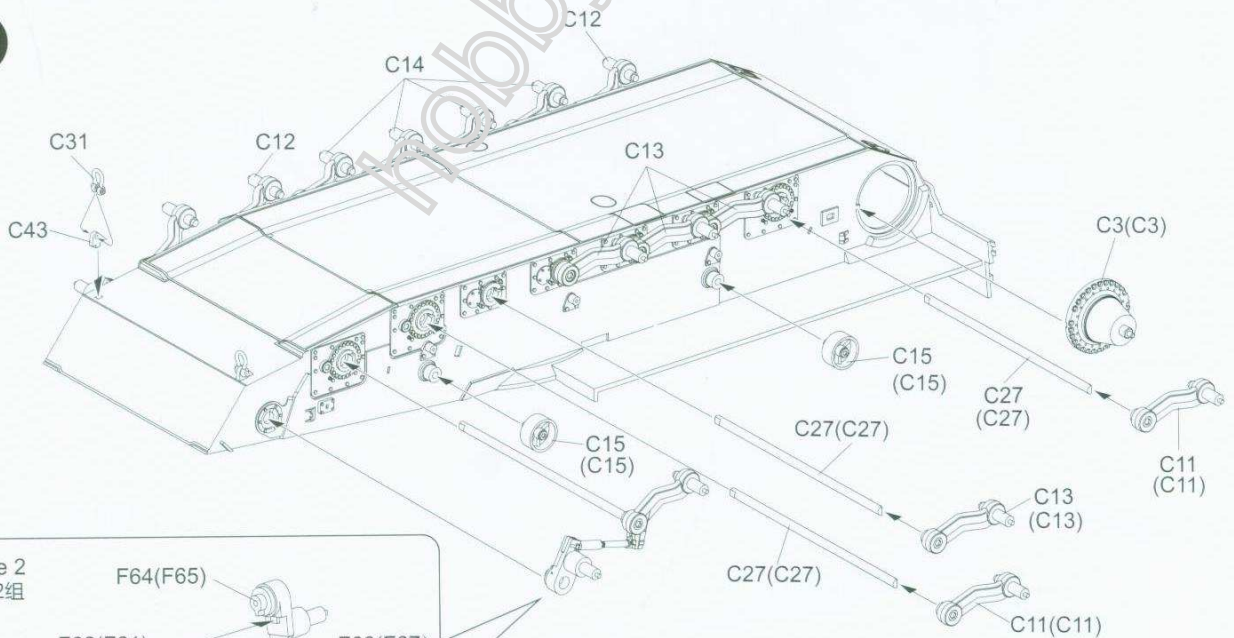
**B**



5

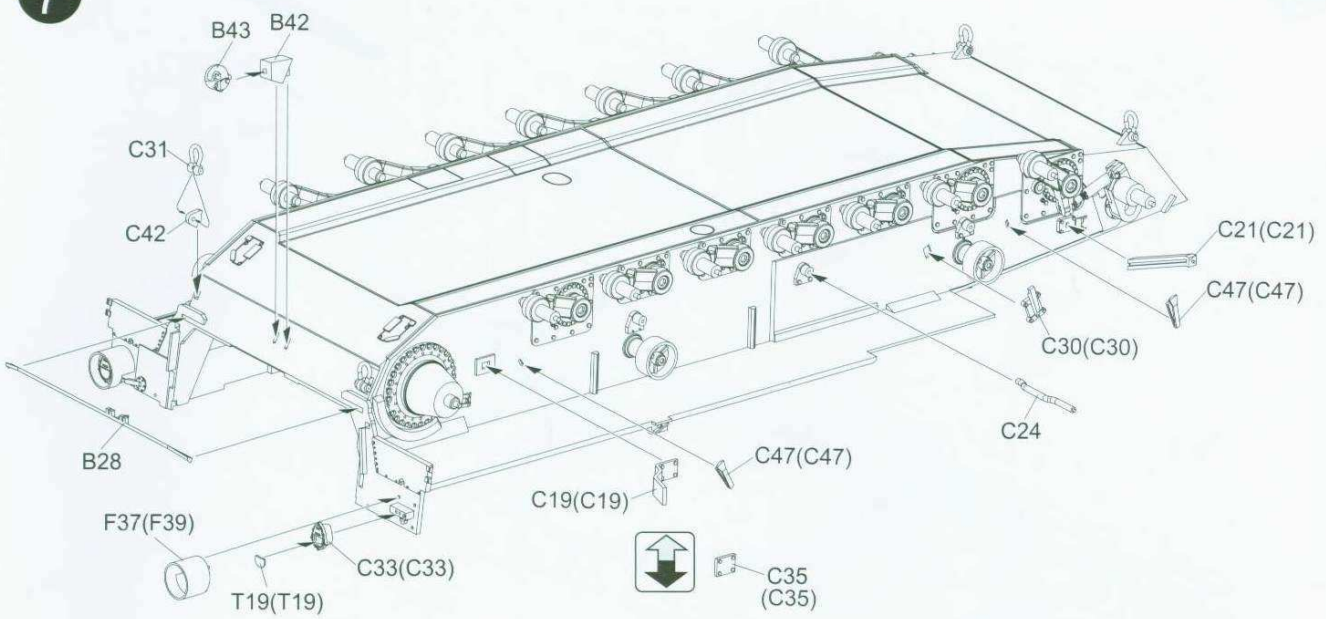


6

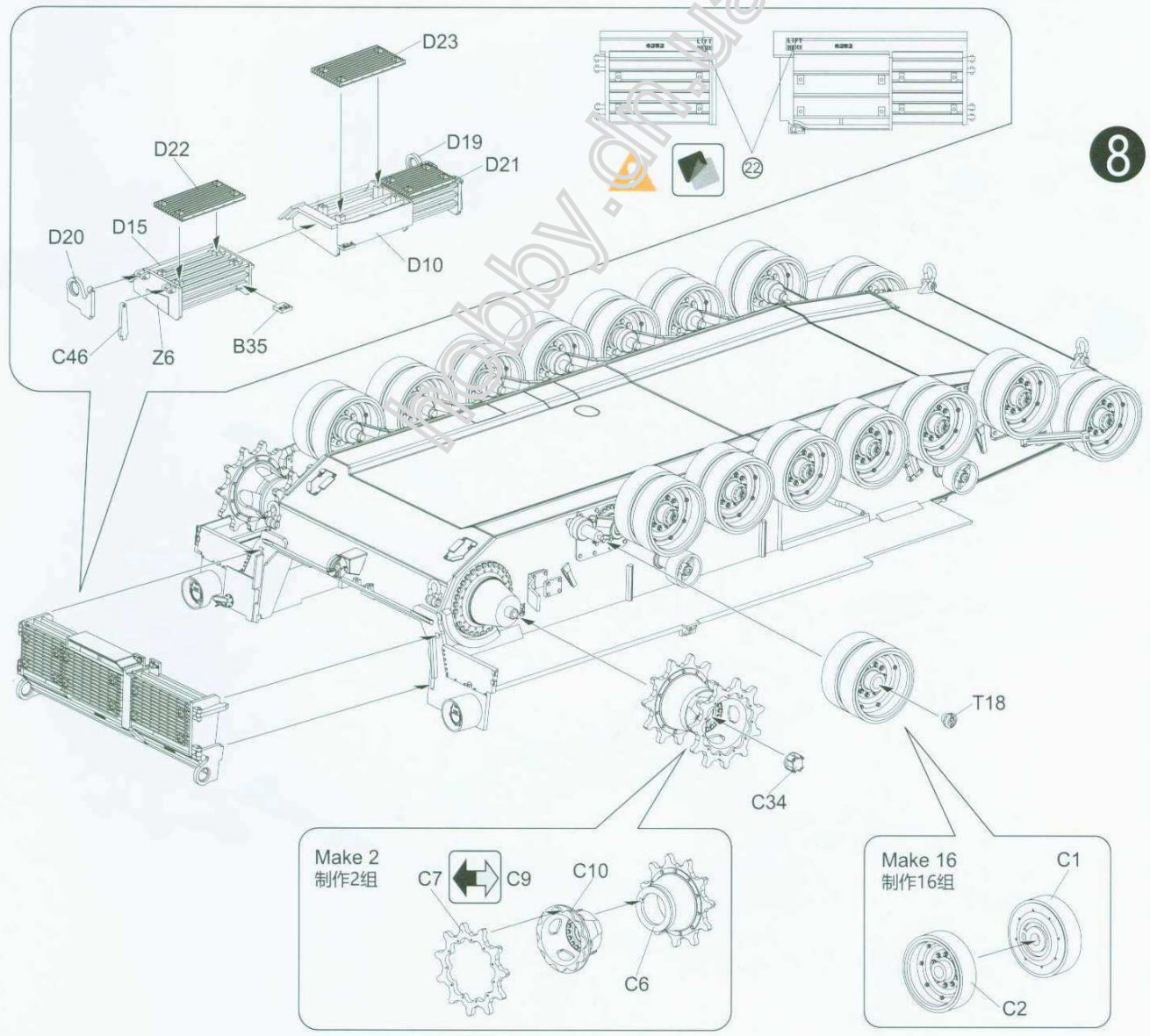




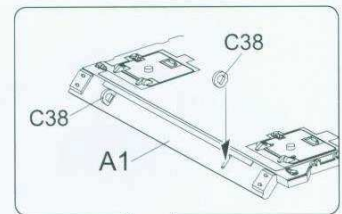
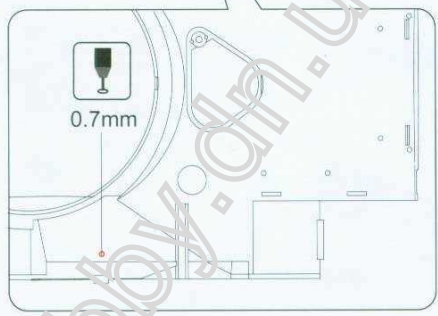
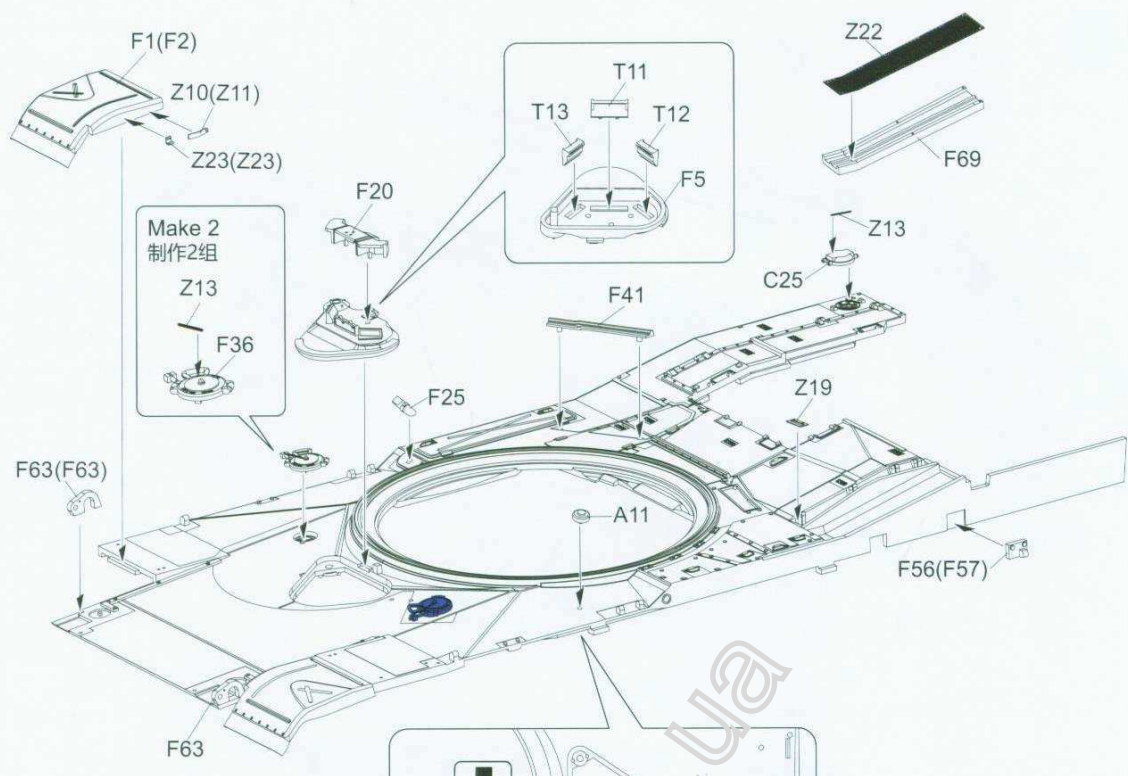
7



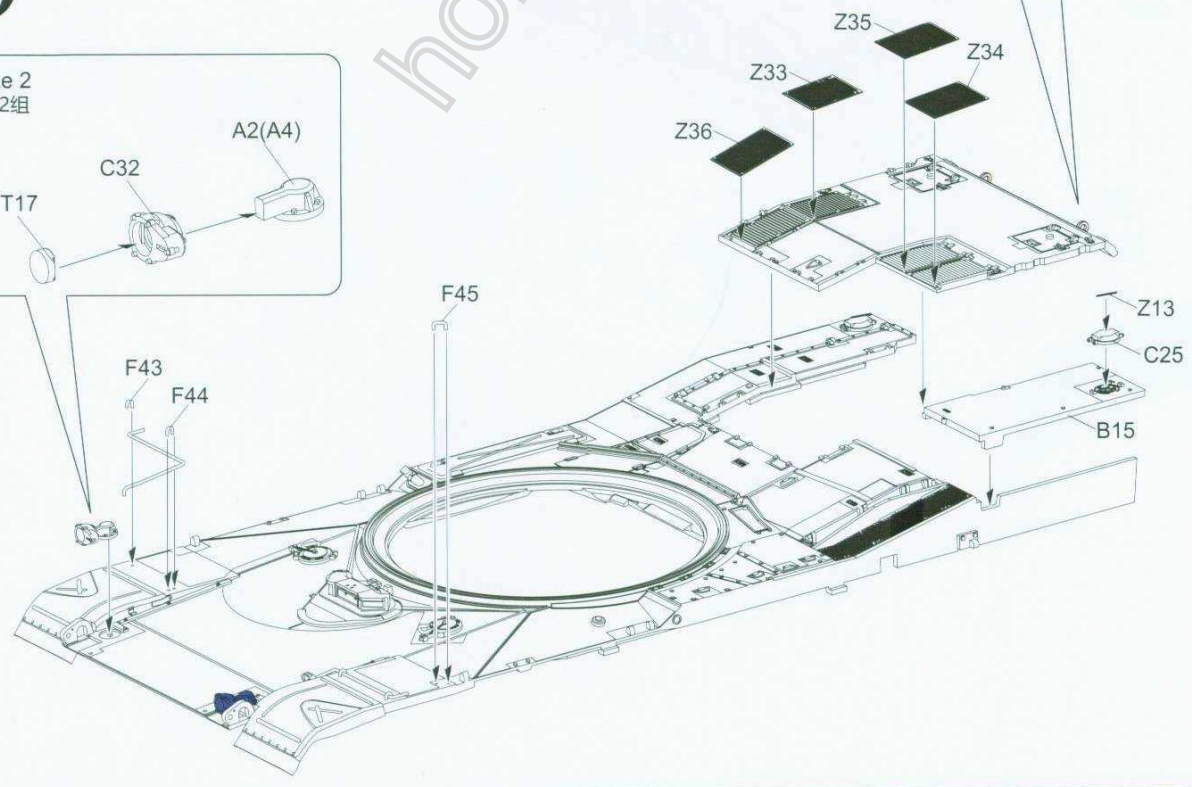
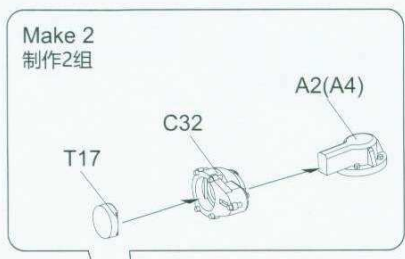
8



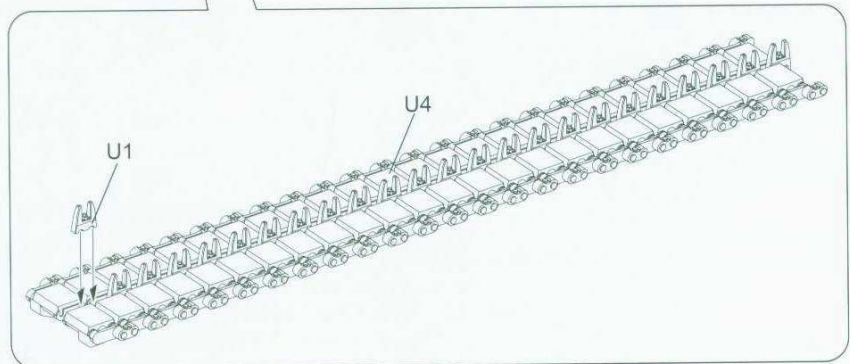
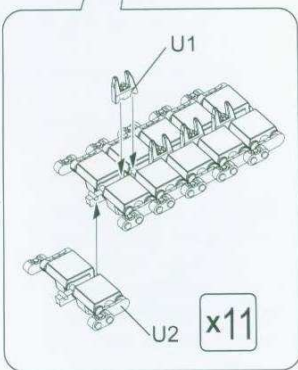
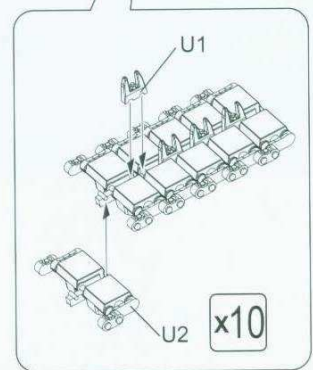
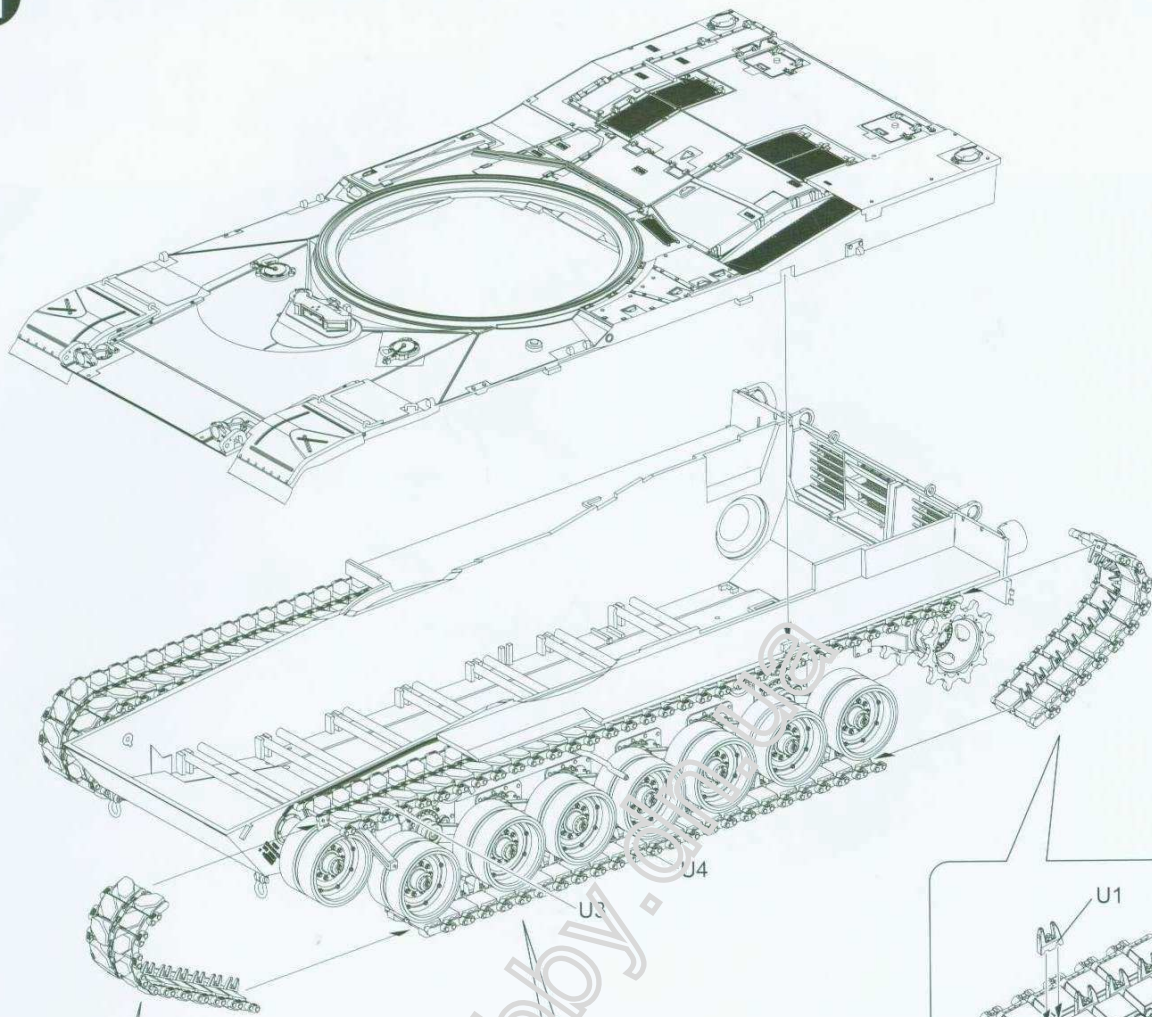
9



10



11



12

