

1/35 SCALE

5066

Military Miniature Series



ASSEMBLY ICONS



OPTIONAL
选择



CEMENT
膠水



DO NOT CEMENT
不使用膠水



INSTANT CEMENT
瞬間接著劑



BEND
彎折



MAKE 2
製作2組



OPEN HOLE
鑽孔



REMOVE
切除



BE CAREFUL
注意



APPLY DECAL
貼上水貼紙

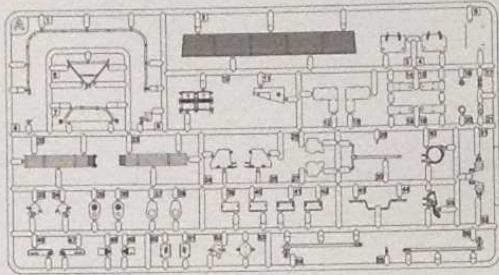
CAUTION!

Read carefully and fully understand the instructions before commencing assembly. Supervising adult should also read the instructions if a child assembles the model. When you used glue or paint, do not use near a naked flame, and use in a well-ventilated room. When assembling this kit, tools including knives are used. Extra care should be taken to avoid personal injury. Read and follow the instructions supplied with paints and/ or cement. Use plastic cement and paints only. Keep out of reach of small children. Children must not be allowed to suck any part, or pull vinyl bag over the head.

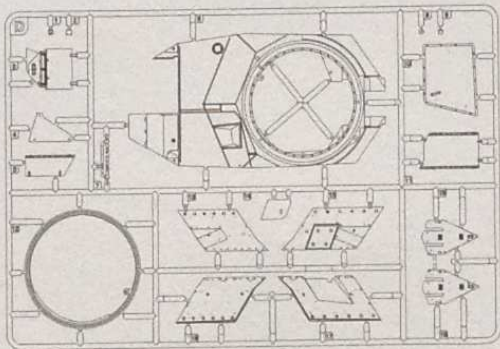
在裝配前仔細閱讀說明並完全理解。小孩裝配時需成人看護且需仔細閱讀說明。
使用膠水和油漆時，應遠離火源並打開窗戶保持空氣流通。
製作時請格外注意工具刀和零件的鋒利尖銳部分，避免對身體造成傷害。
在使用膠水和油漆前仔細閱讀注意事項，按照說明正確使用膠水和油漆。
請將本品放在兒童接觸不到的地方，套件中的塑膠包裝袋會對兒童造成窒息的危險。

PARTS 部品图

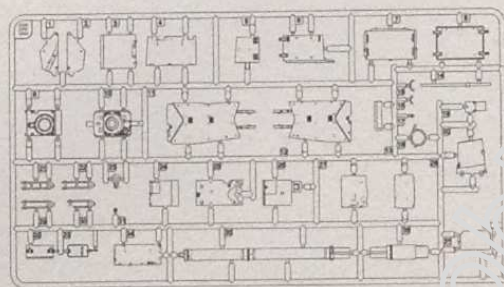
A x 1



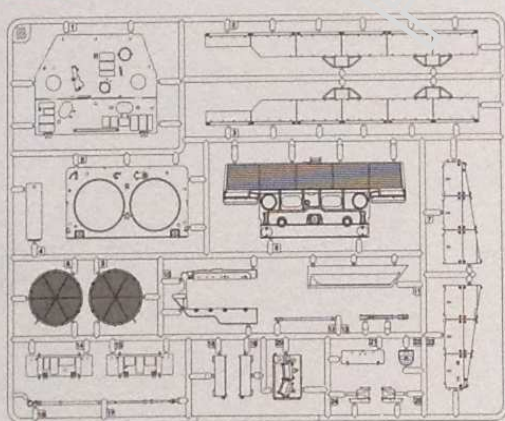
D x 1



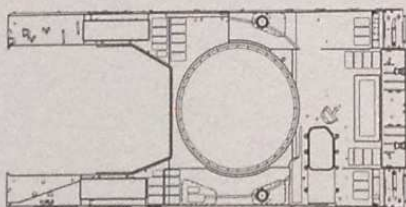
E x 1



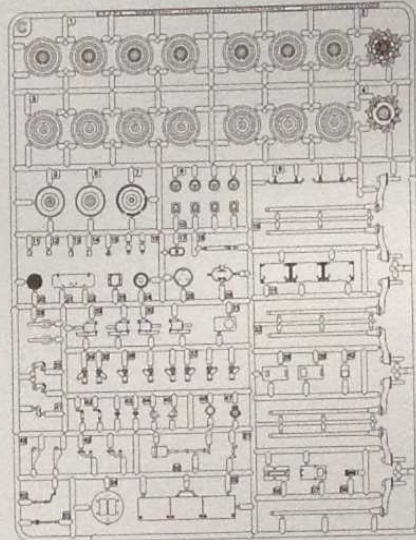
B x 1



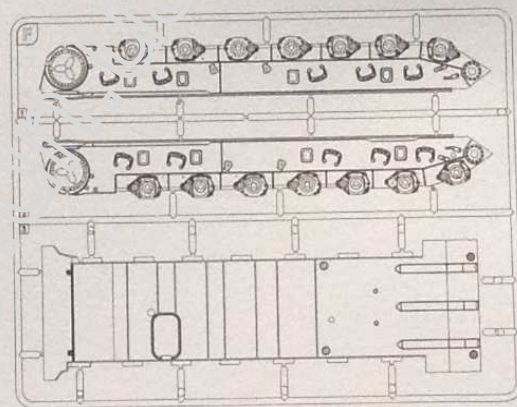
UPPER HULL



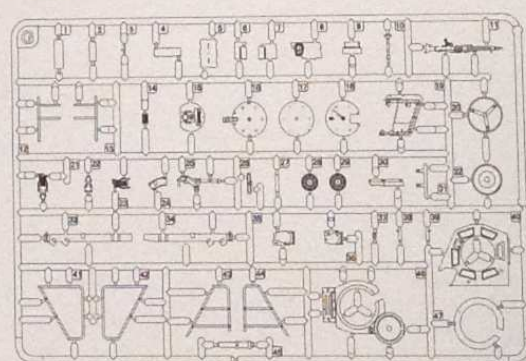
C x 2



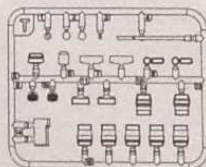
F x 1



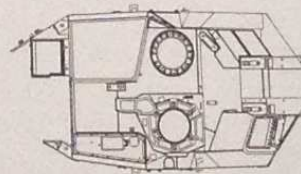
G x 1



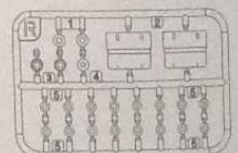
T x 1



TURRET

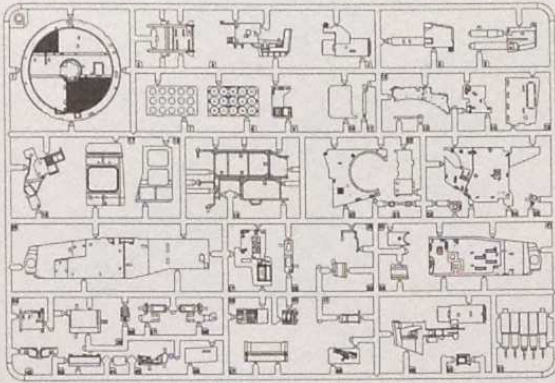


R x 1

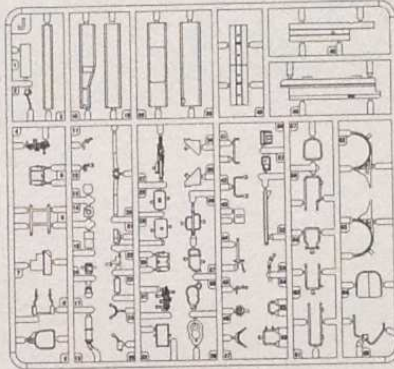


PARTS 部品图

Q x 1



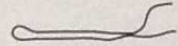
J x 1



Decal



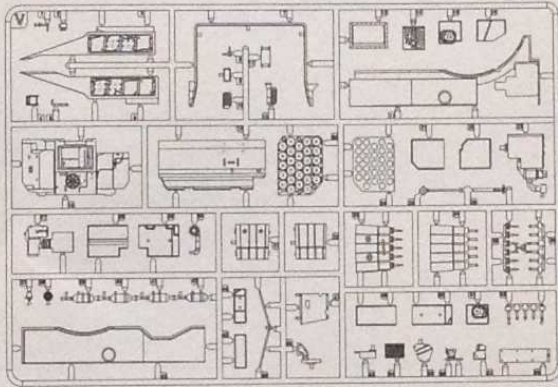
Cable 252mm



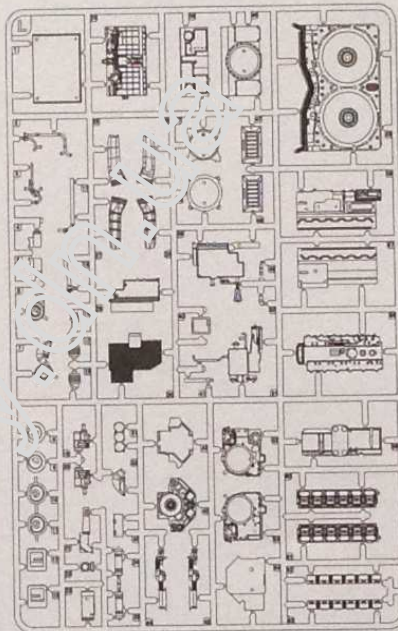
Cable 18mm



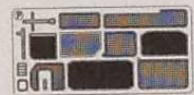
V x 1



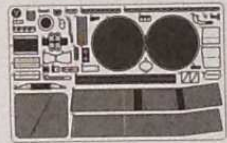
V x 1



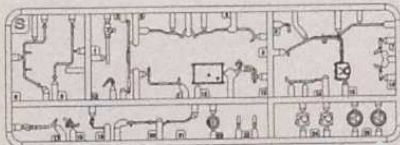
P x 1



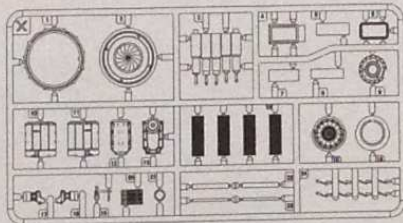
Y x 1



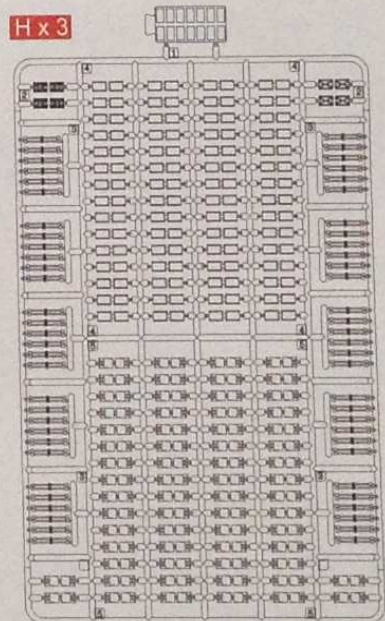
S x 1



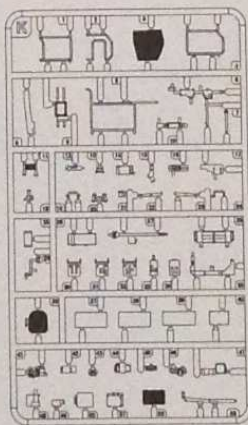
X x 2



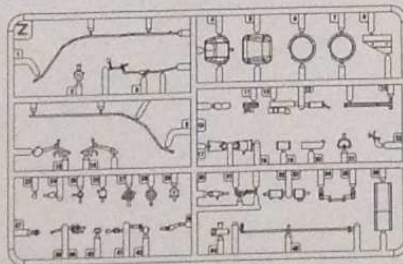
H x 3



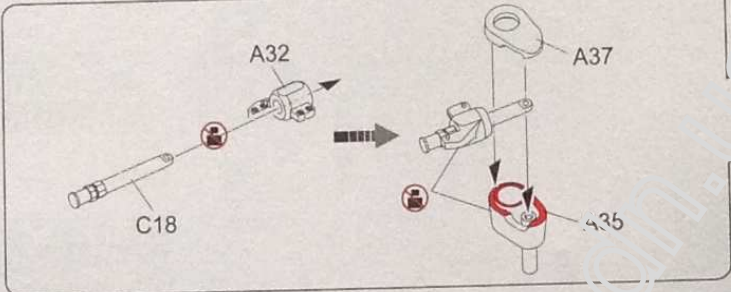
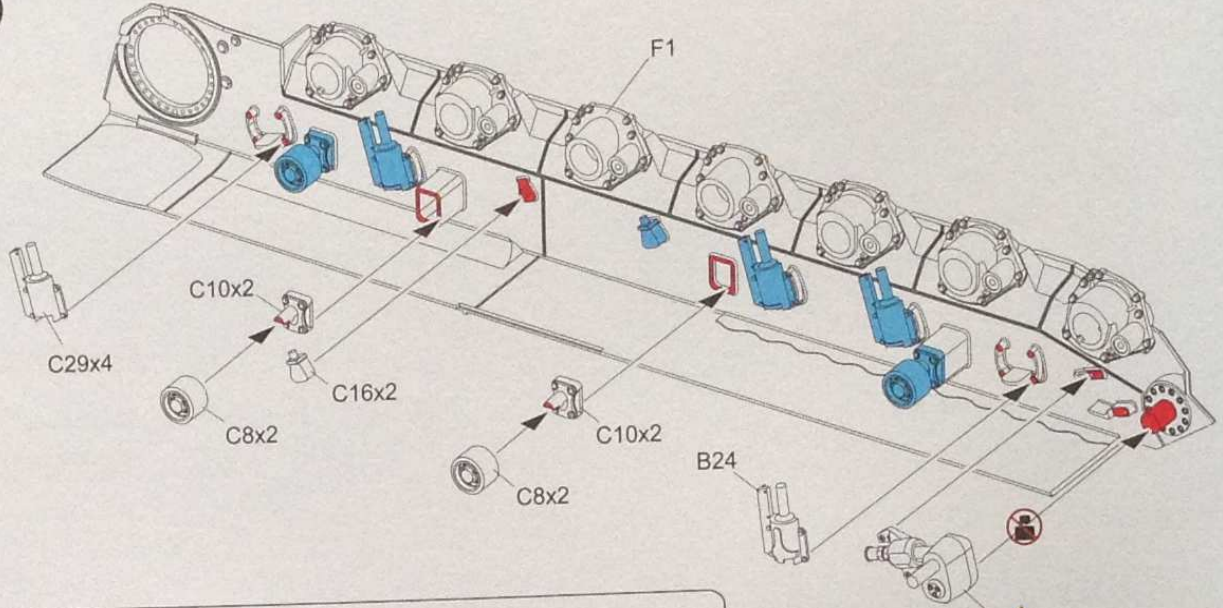
K x 1



Z x 1

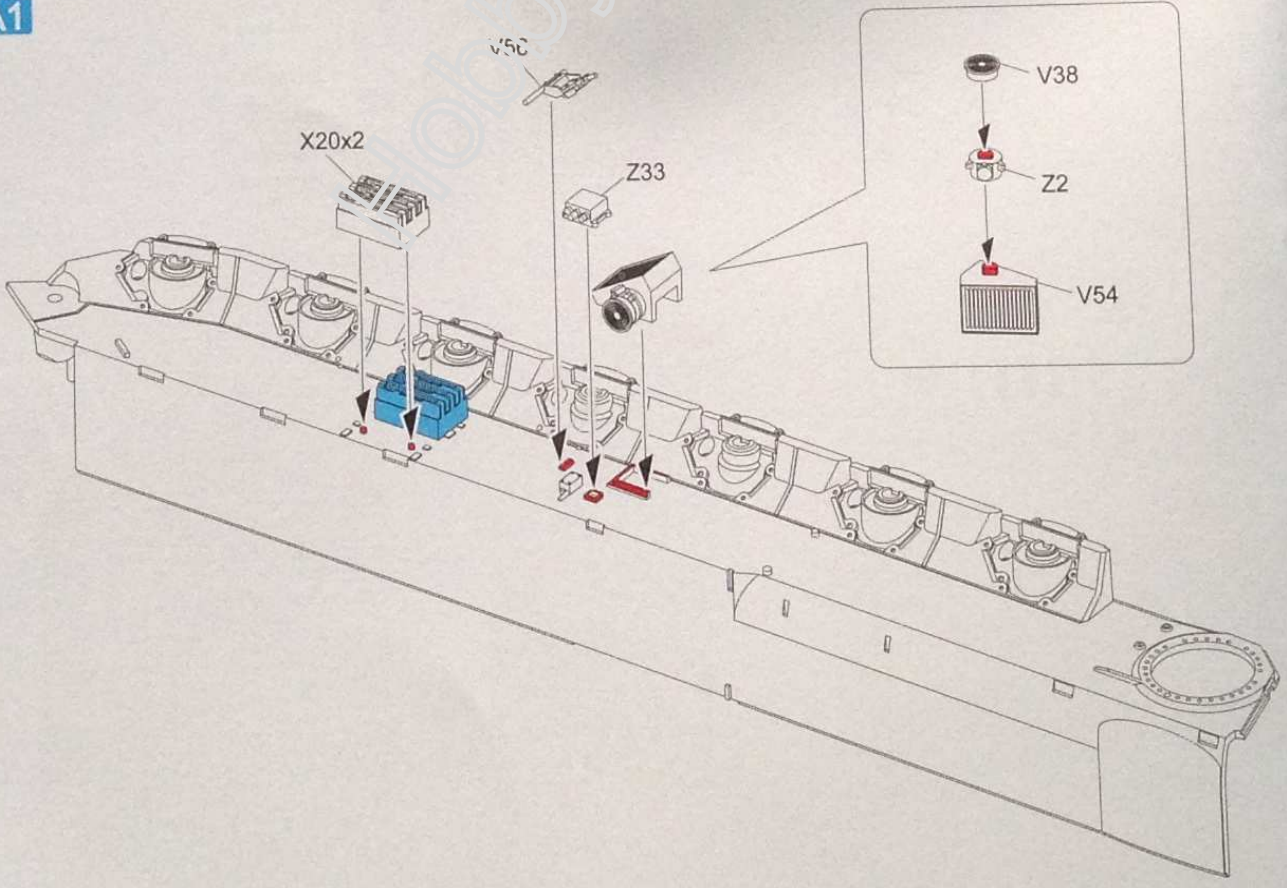


1

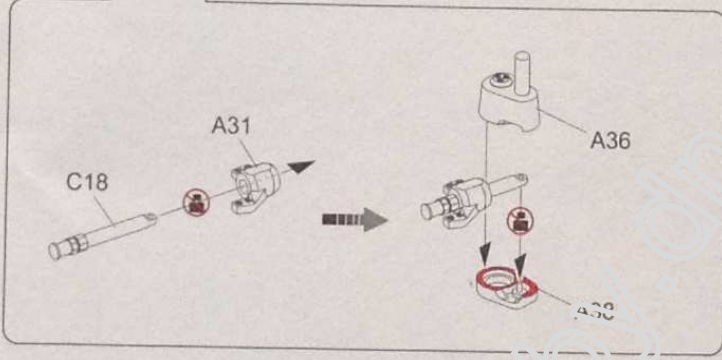
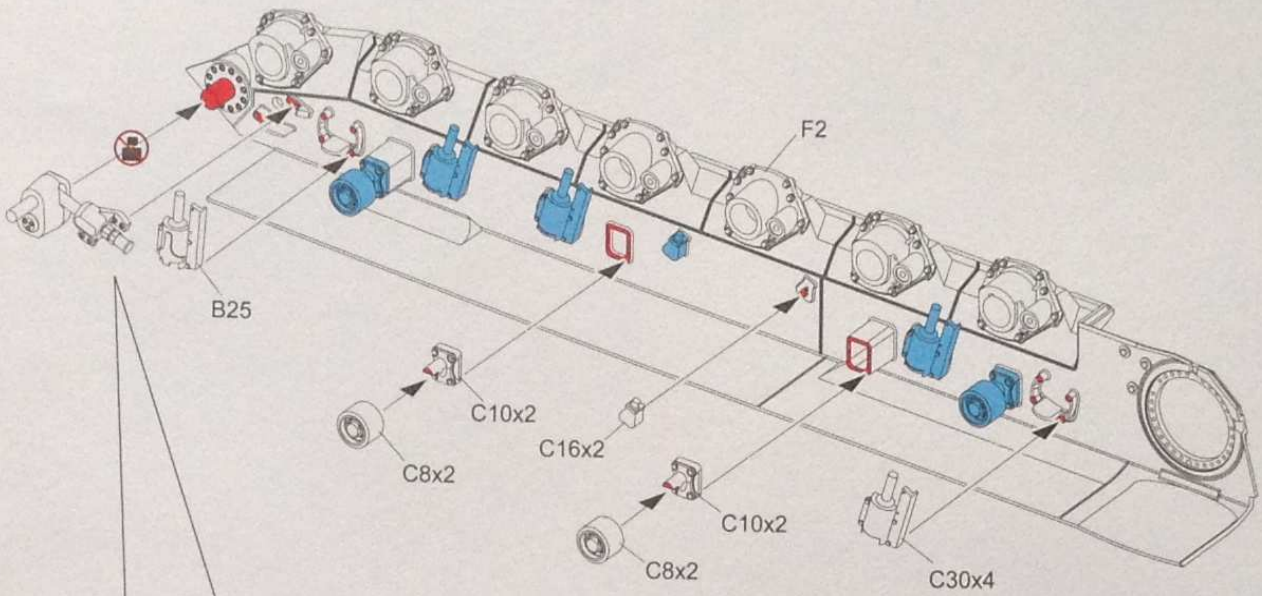


Fix the part after adjusting the track tension.
 调节履带张紧后再固定零件

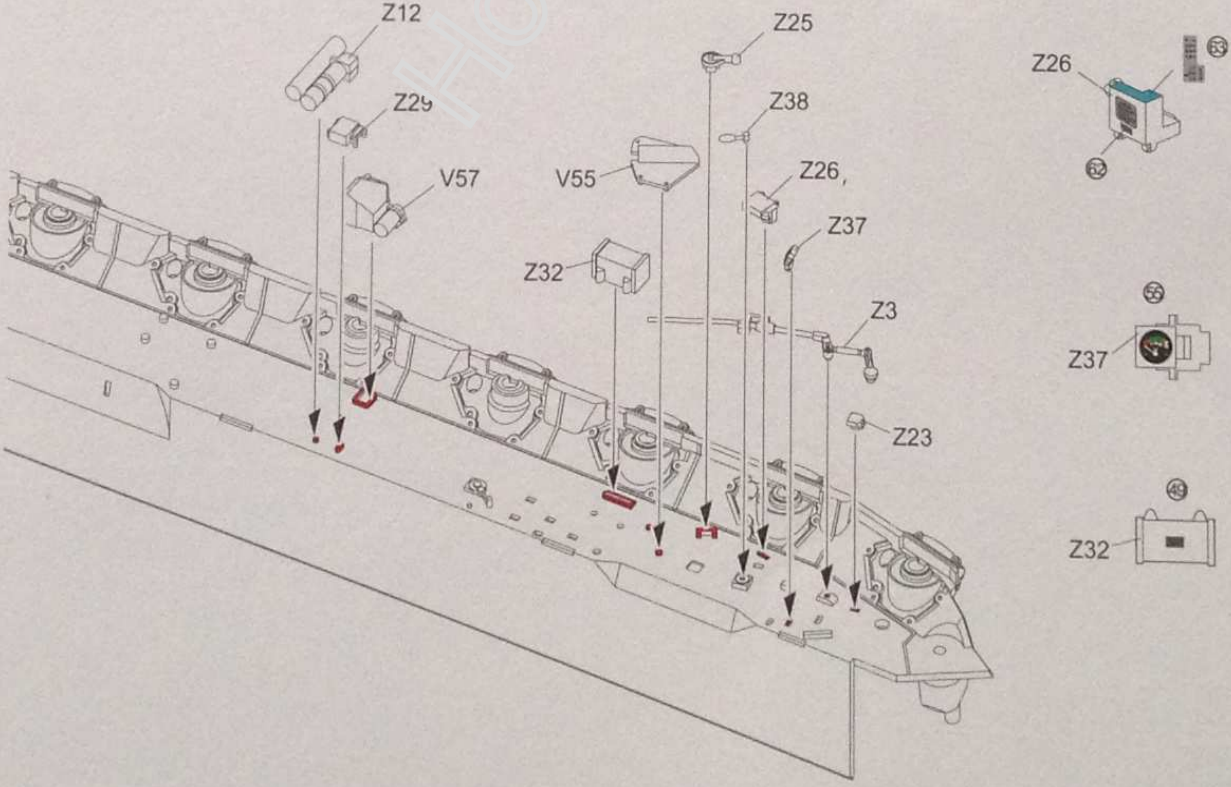
A1



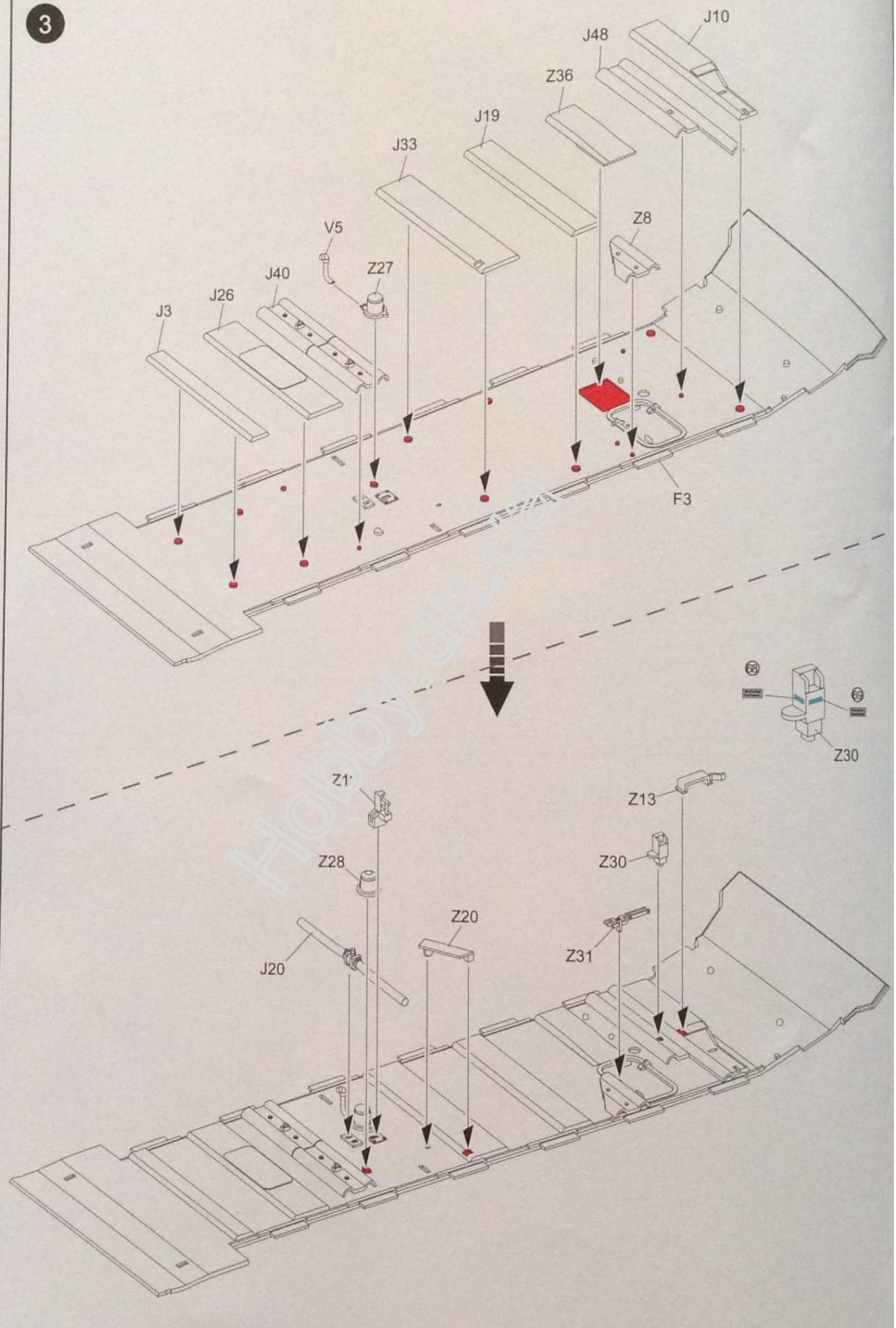
2



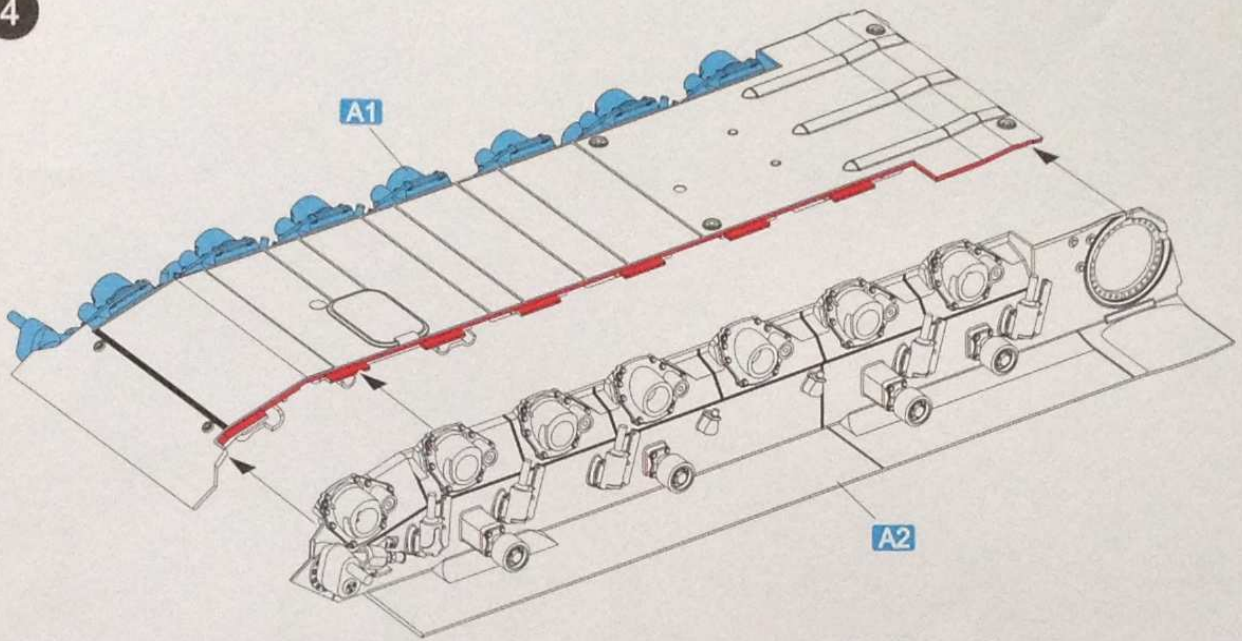
A2



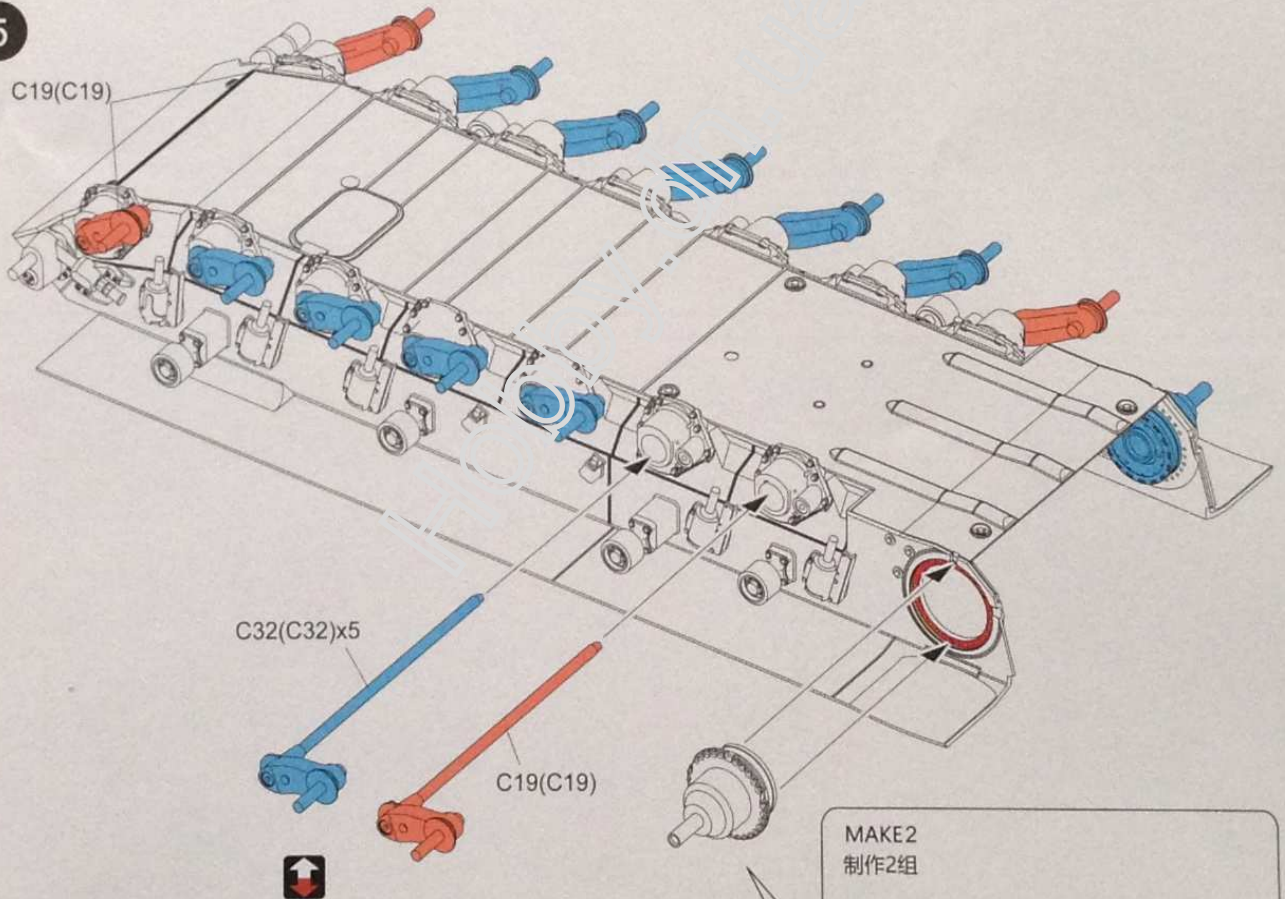
3



4



5



Workable Torsion Bars
 切除可做活动

C19(C19)

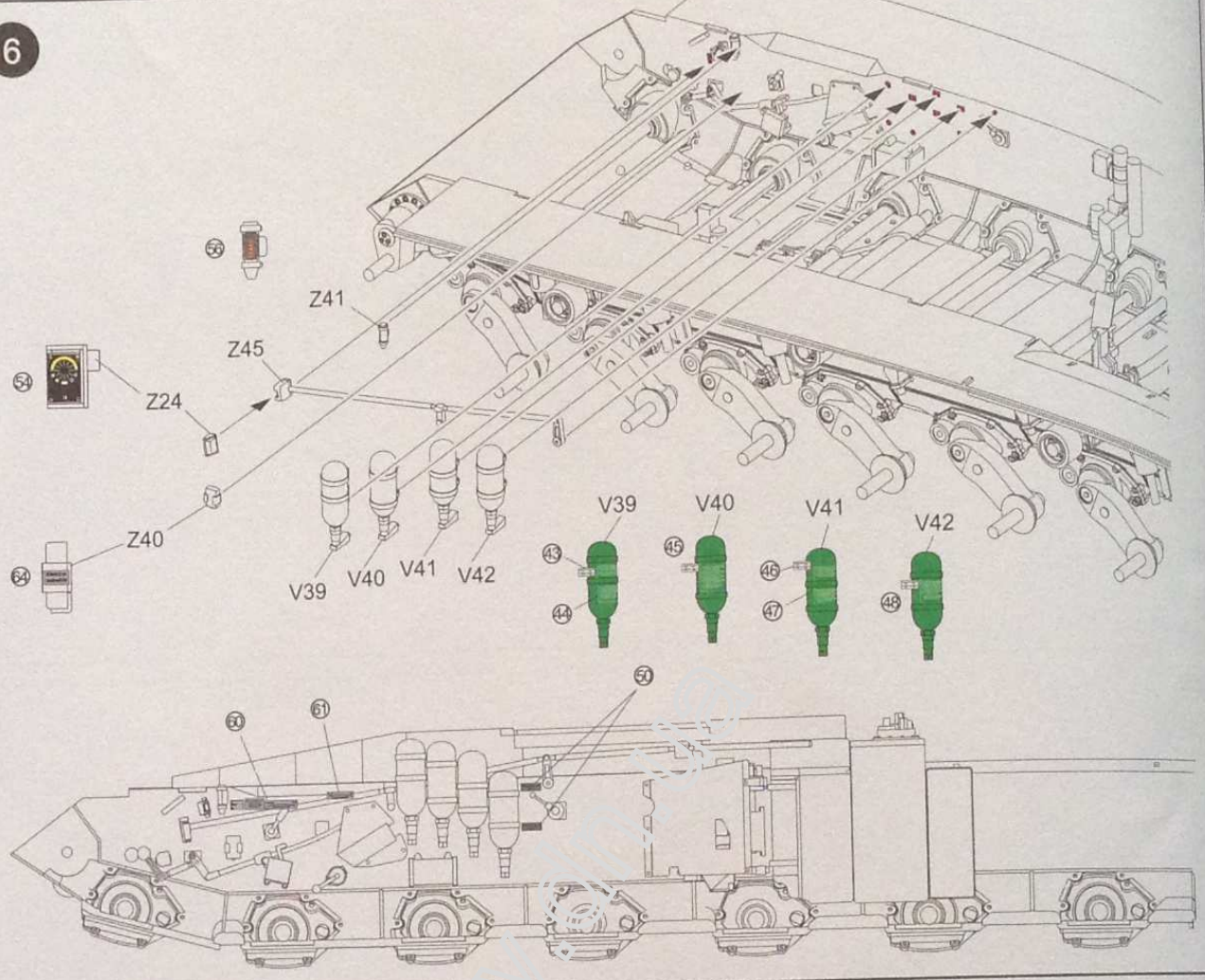
MAKE2
 制作2组

Z7(Z6)

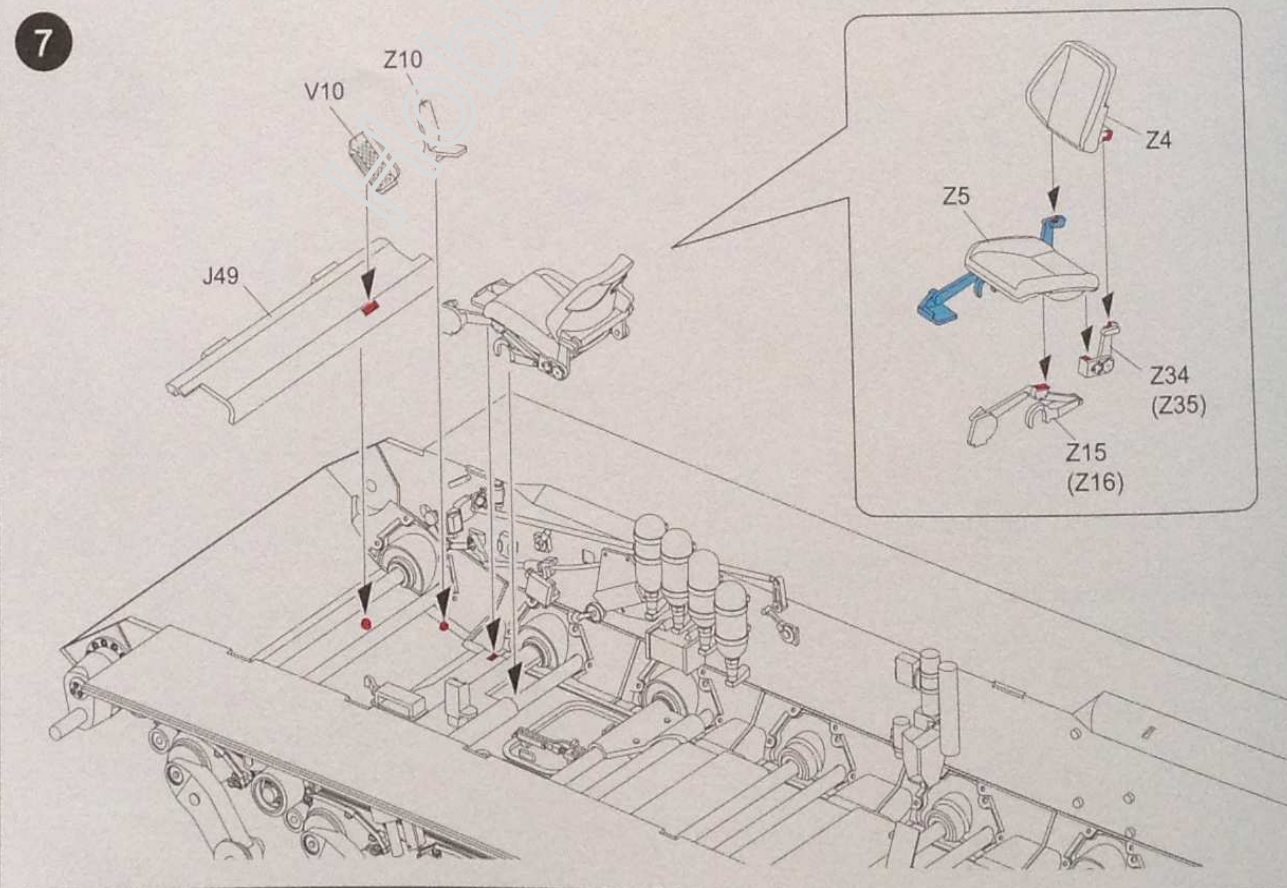
X9(X9)

C7(C7)

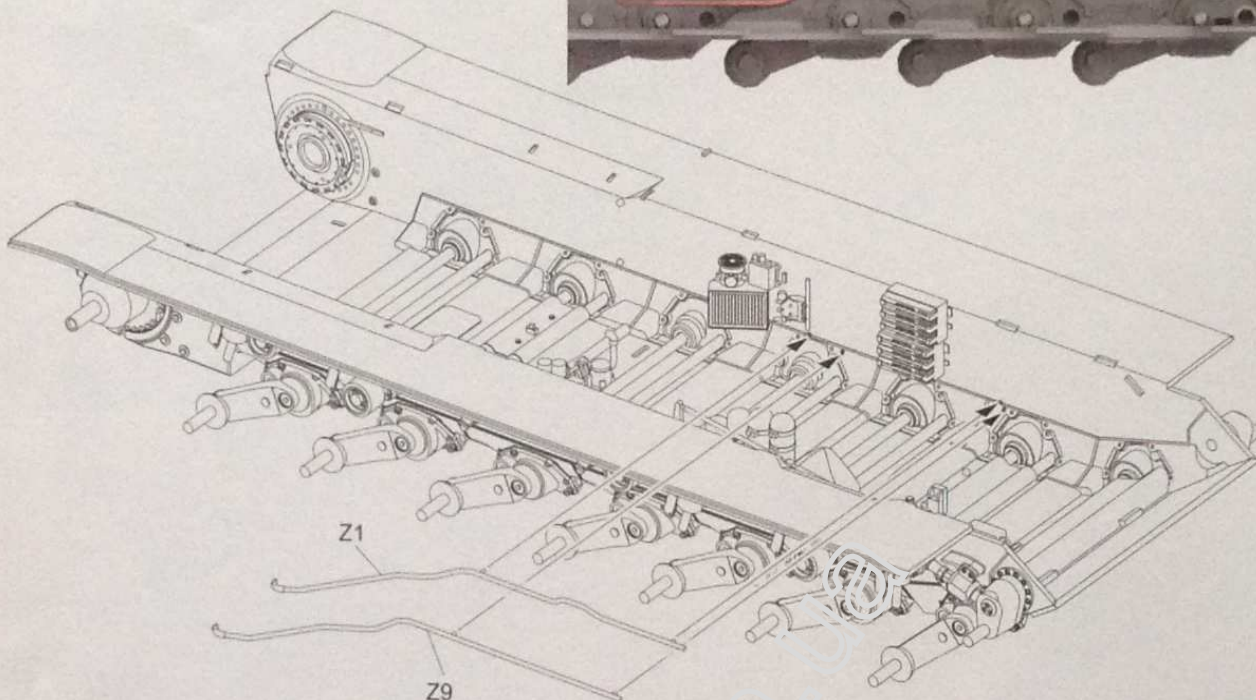
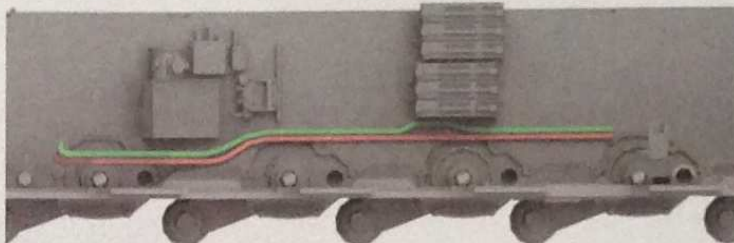
6



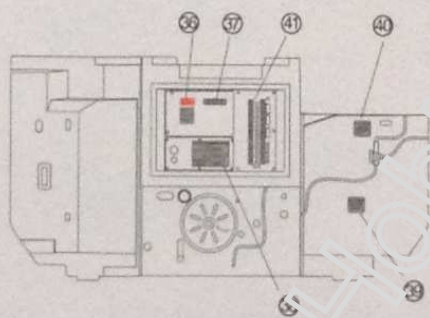
7



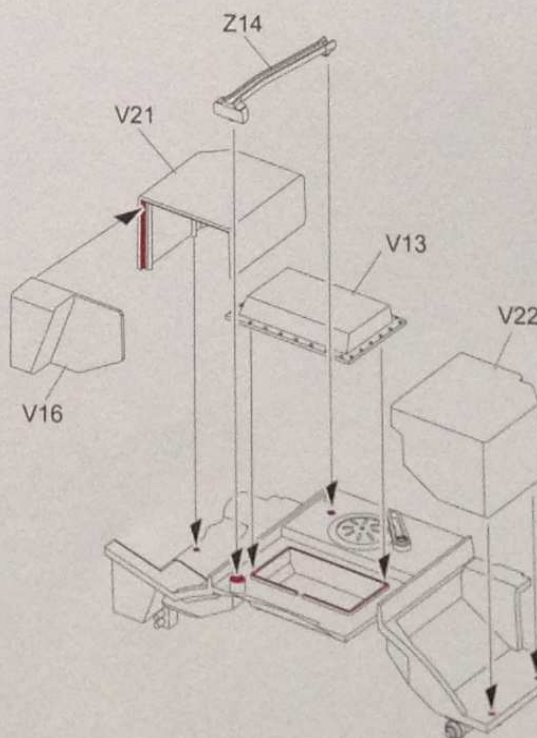
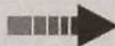
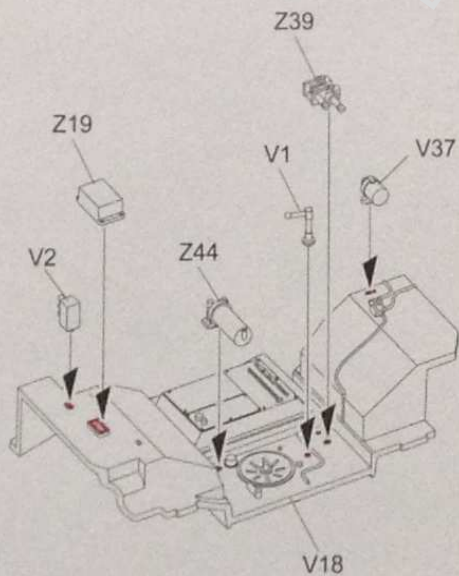
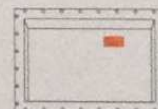
8

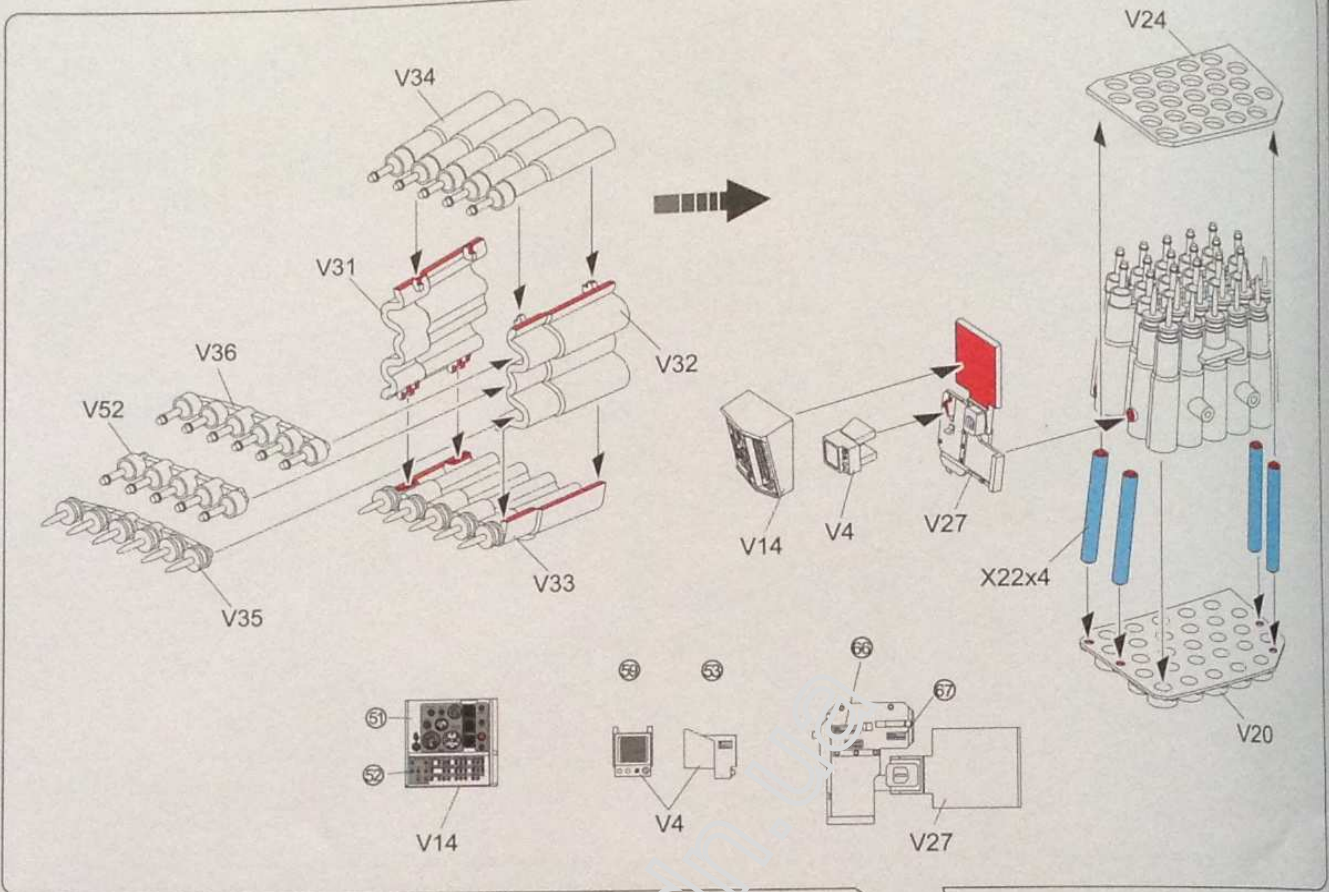


9

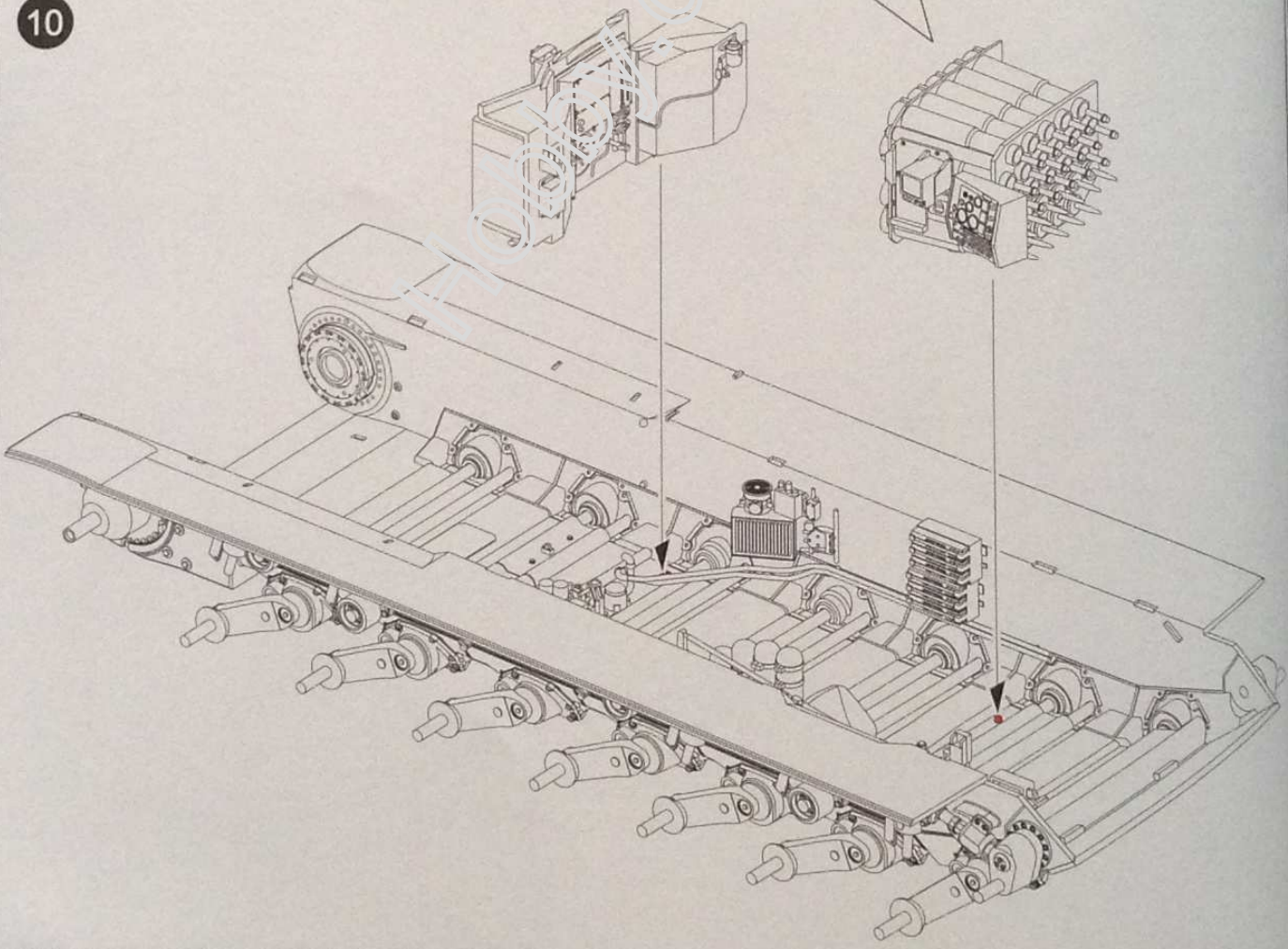


75

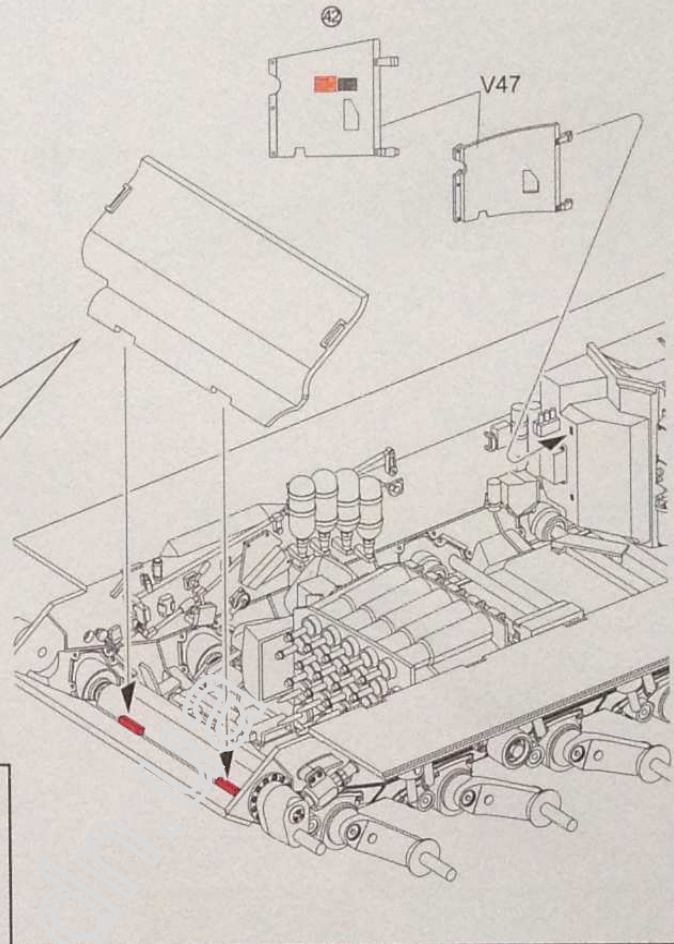
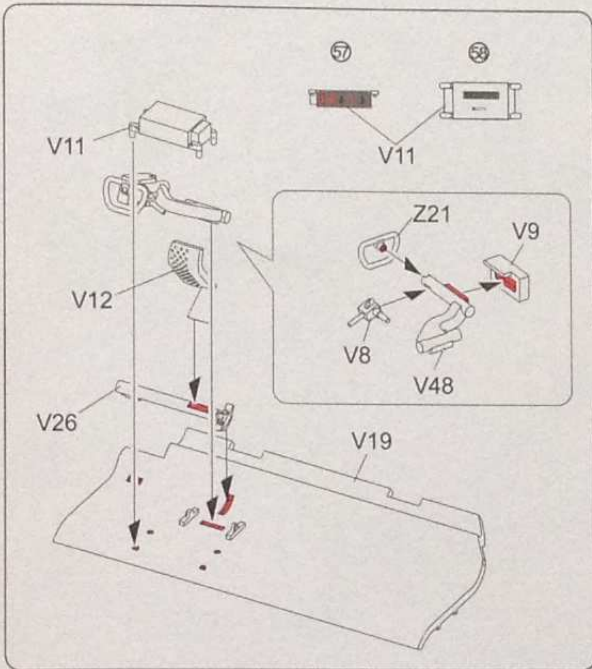




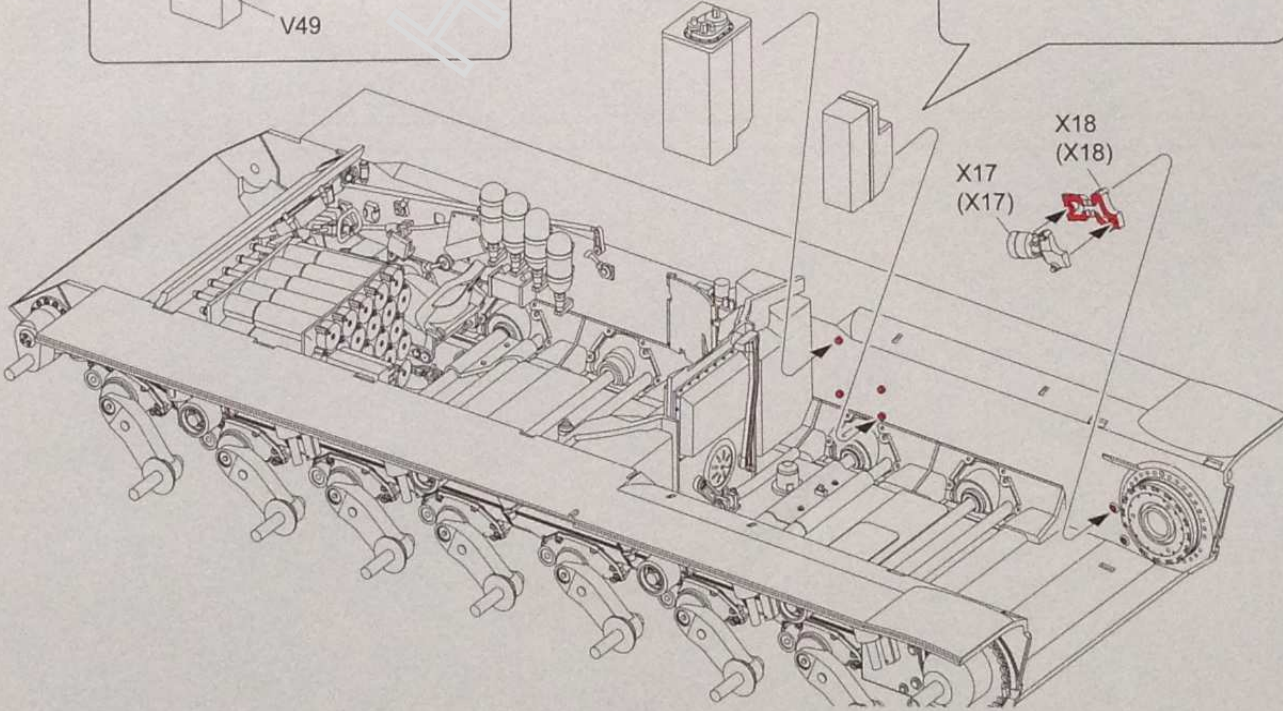
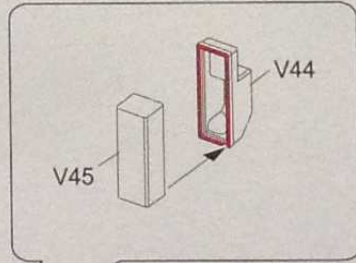
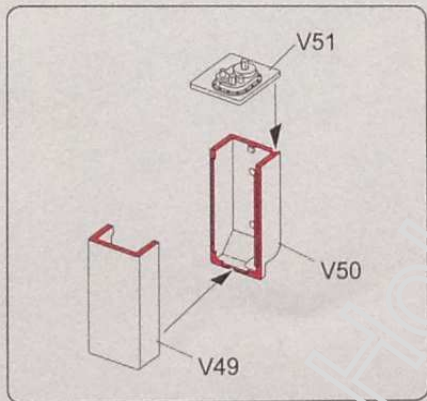
10



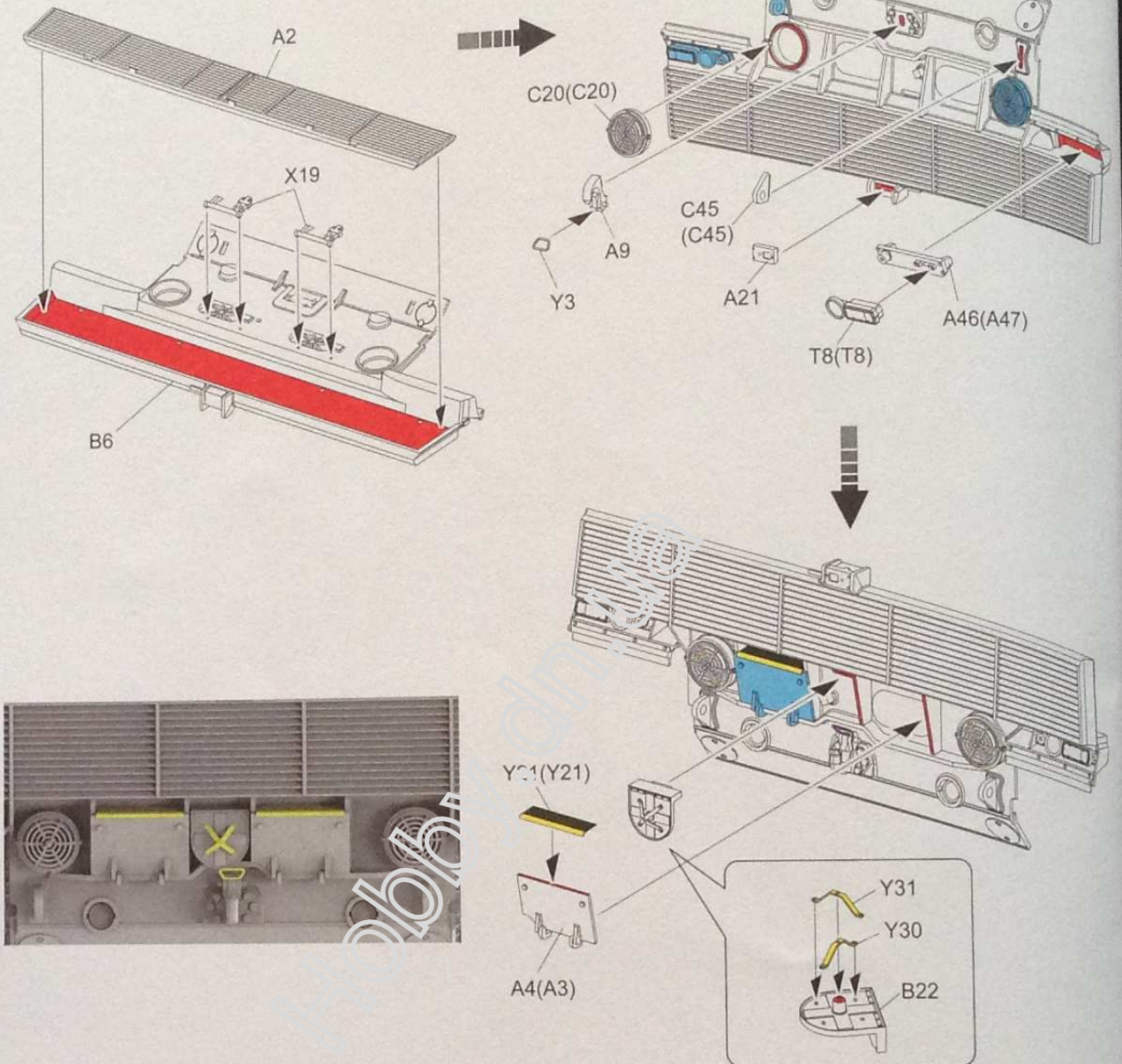
11



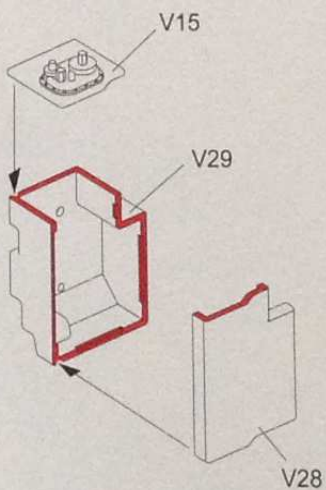
12



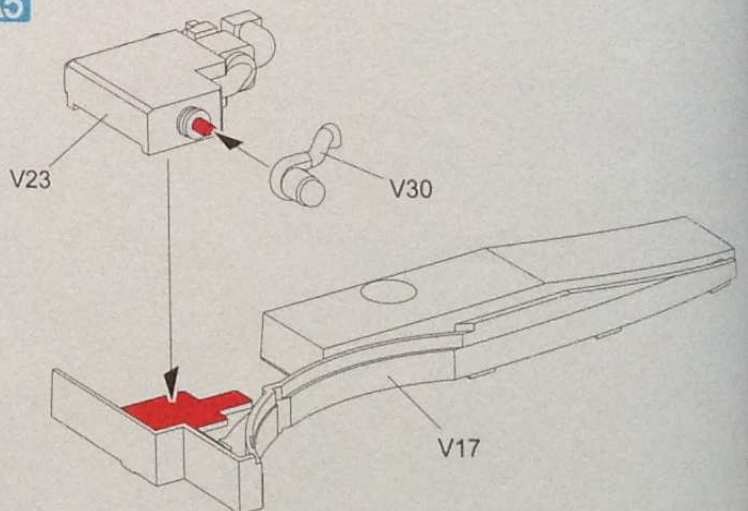
A3



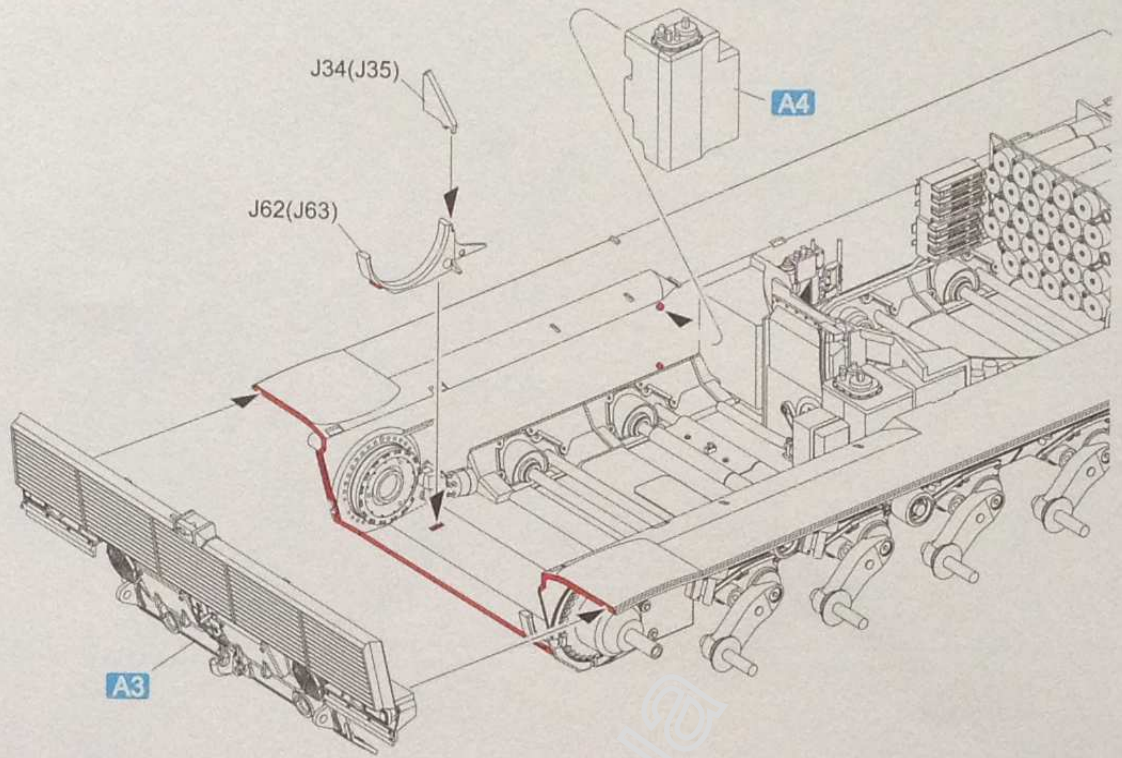
A4



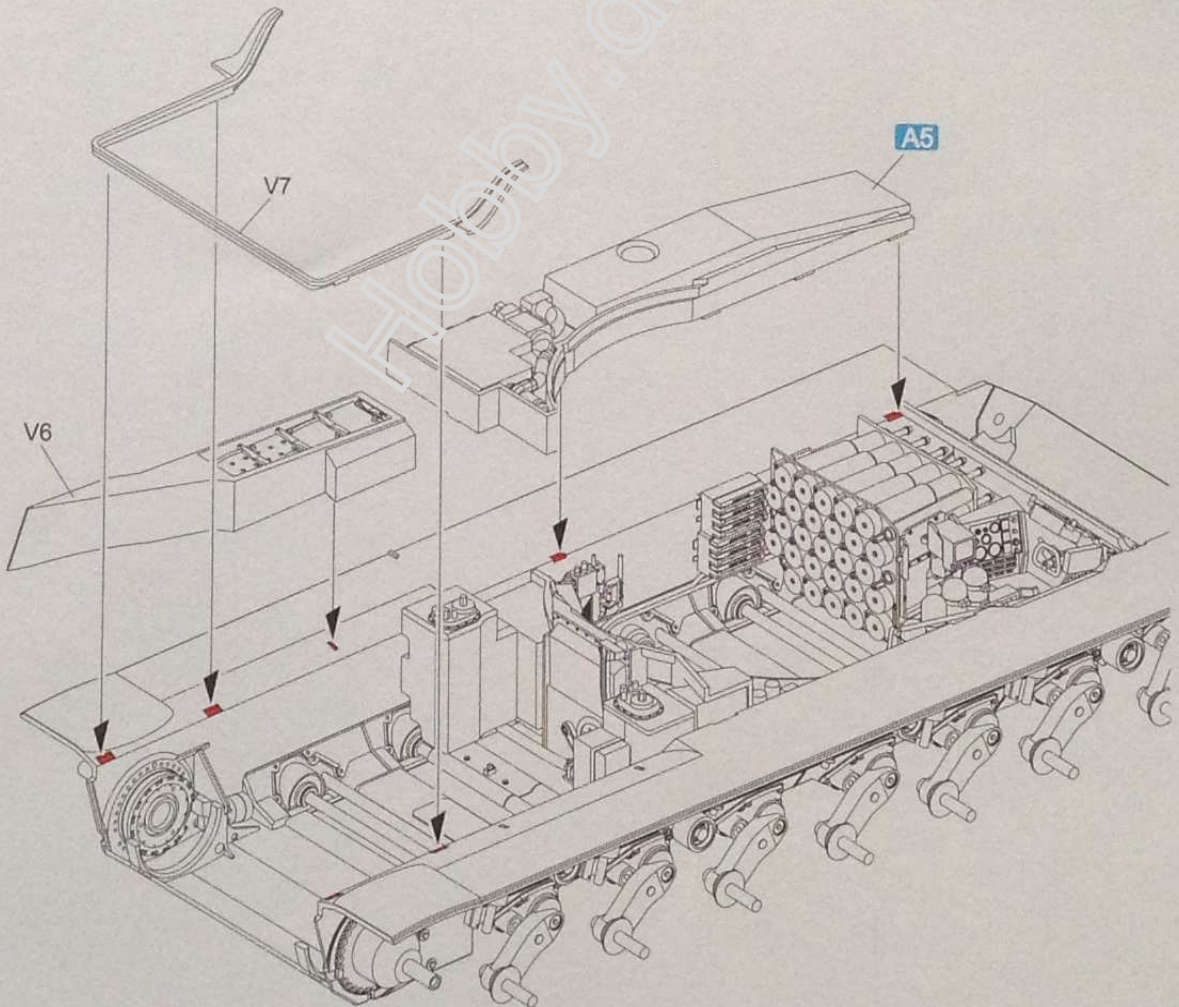
A5



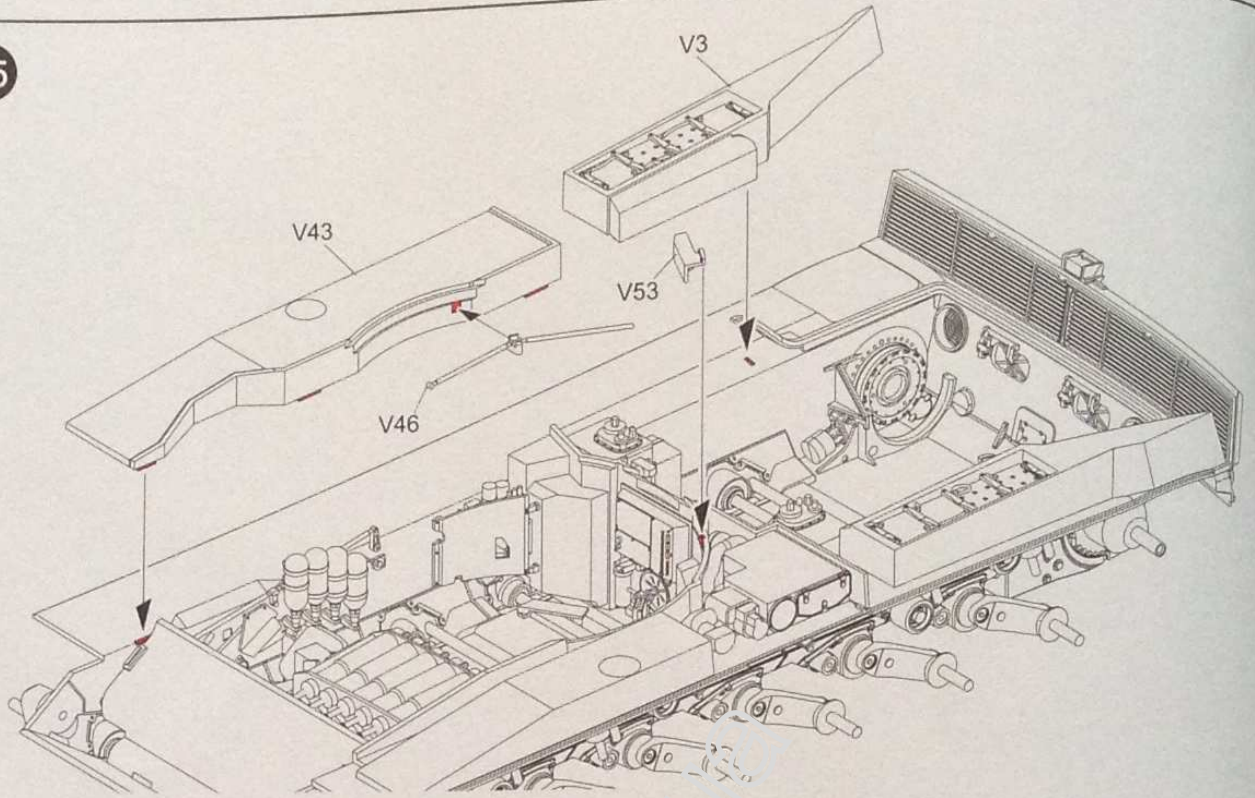
13



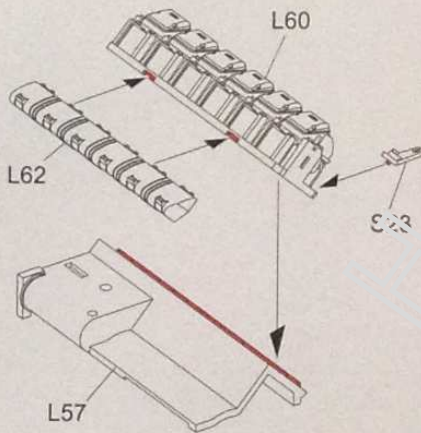
14



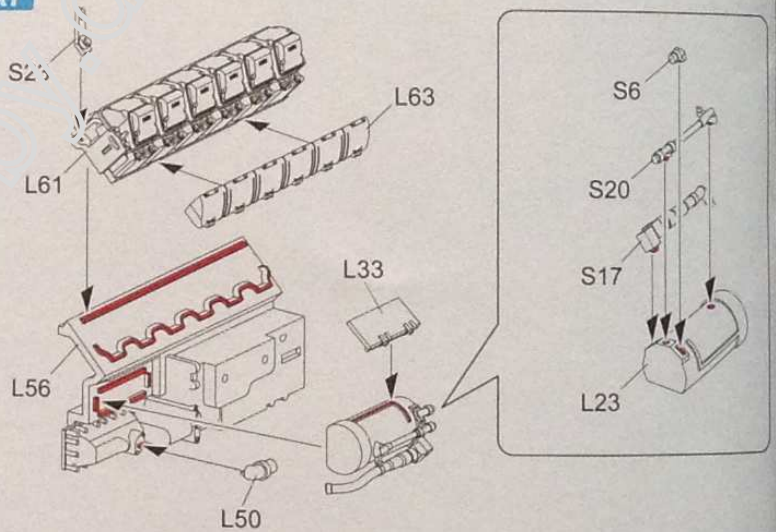
15



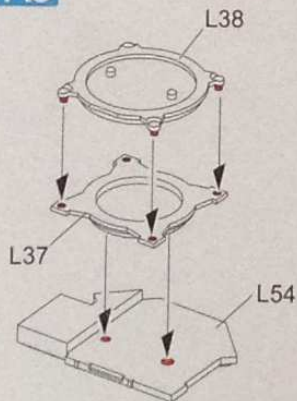
A6



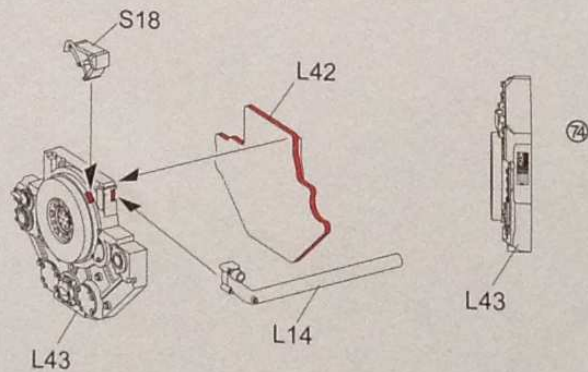
A7



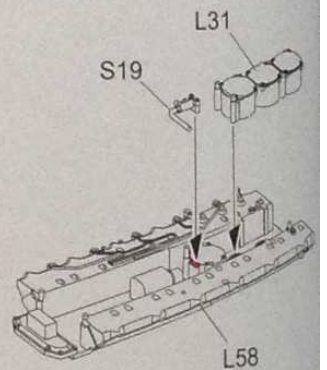
A8



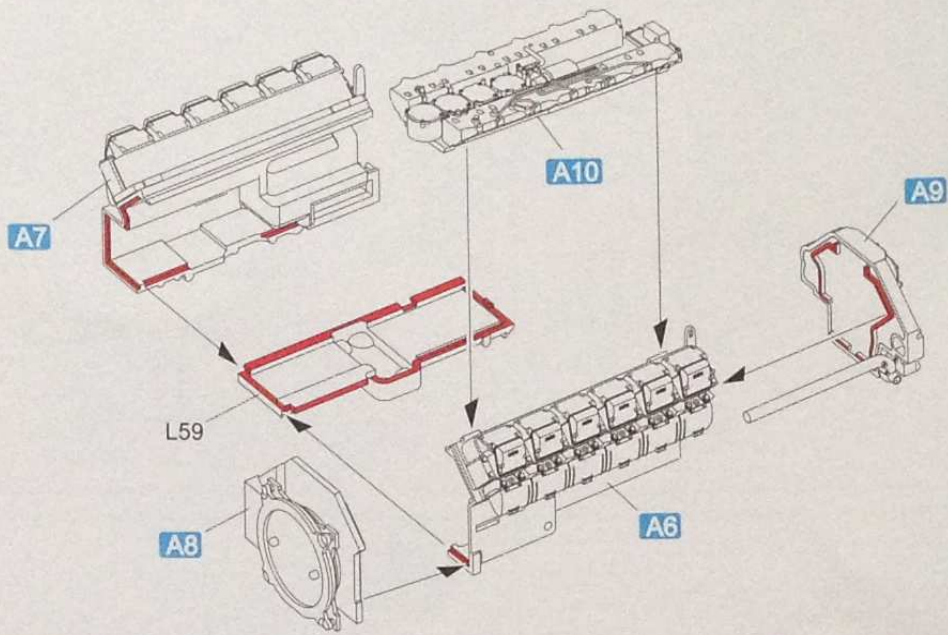
A9



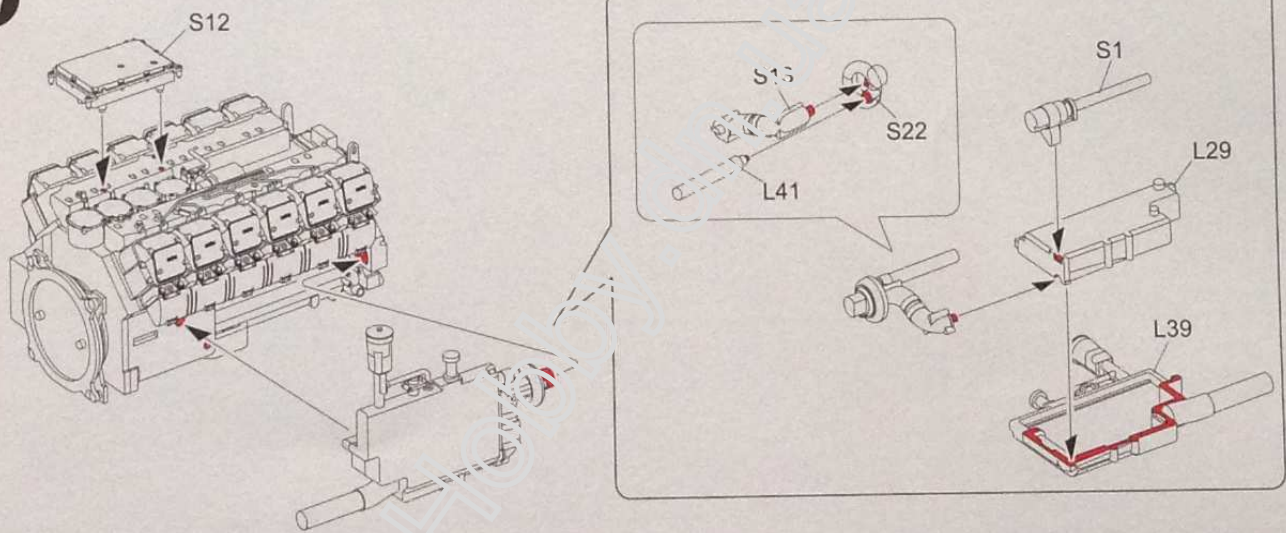
A10



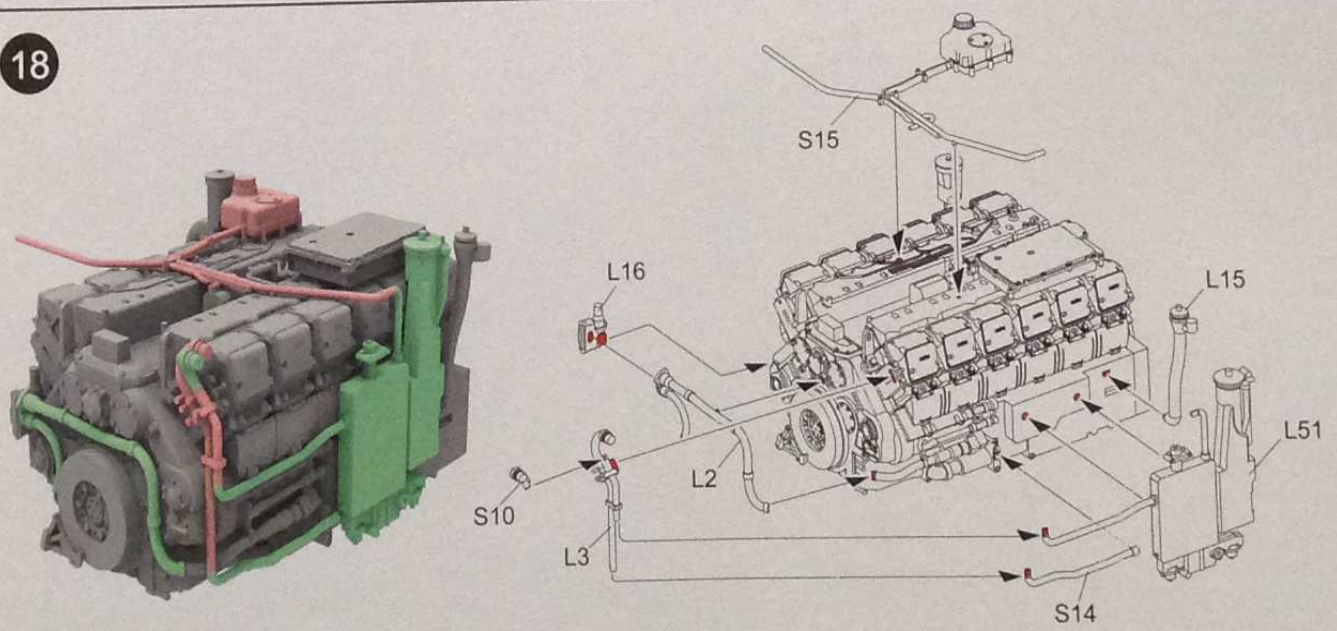
16

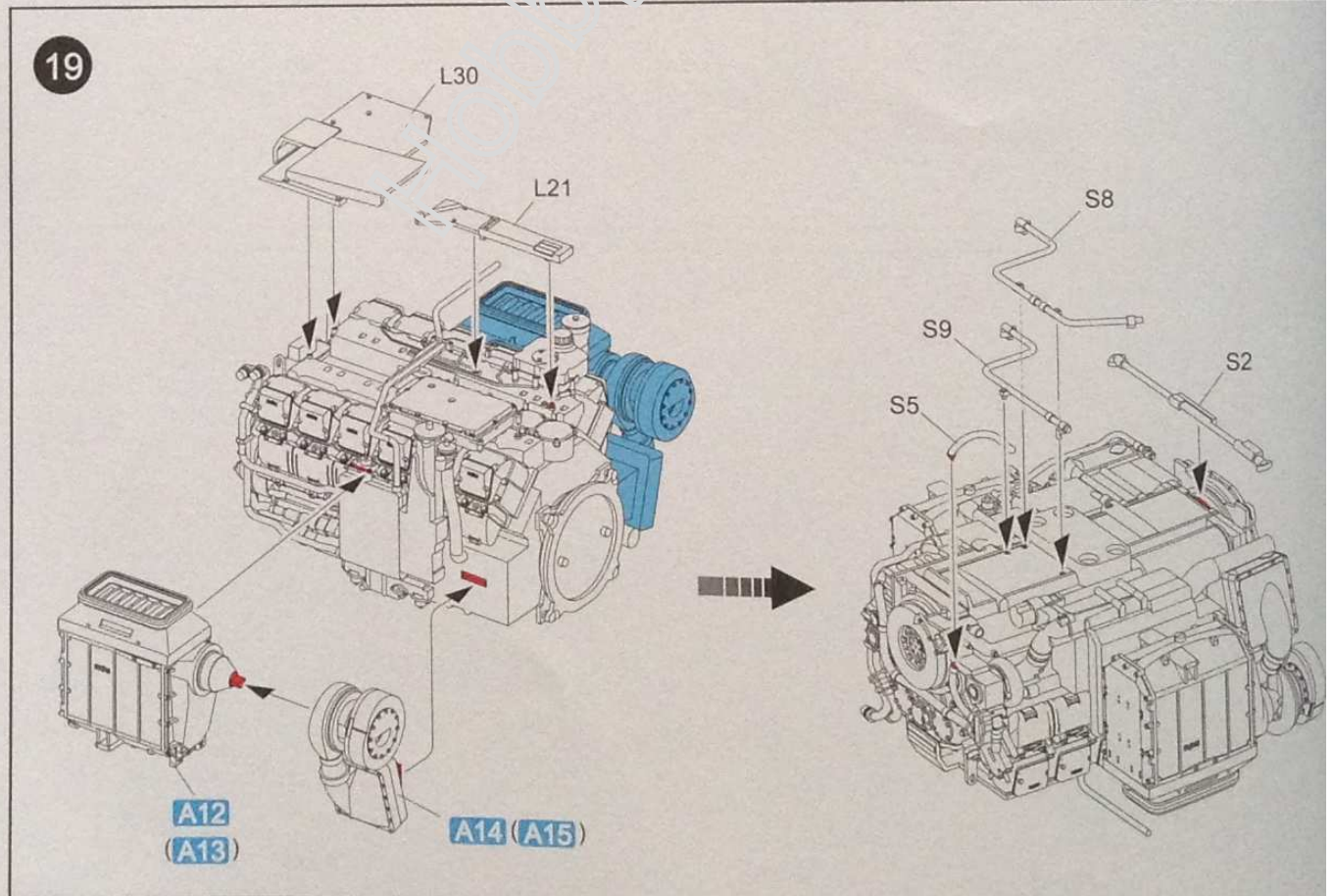
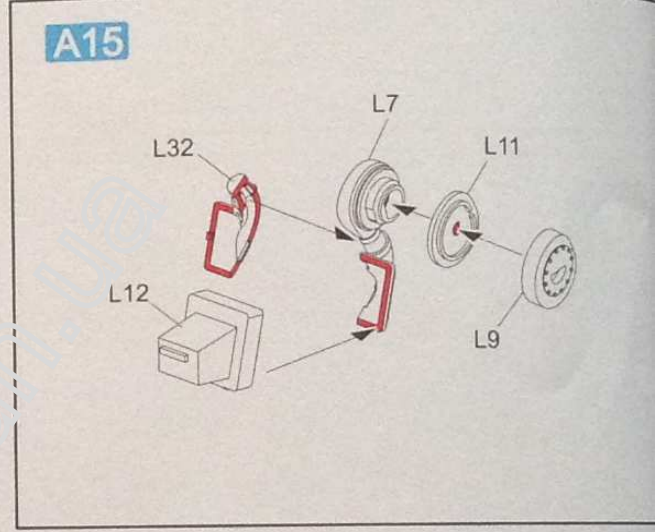
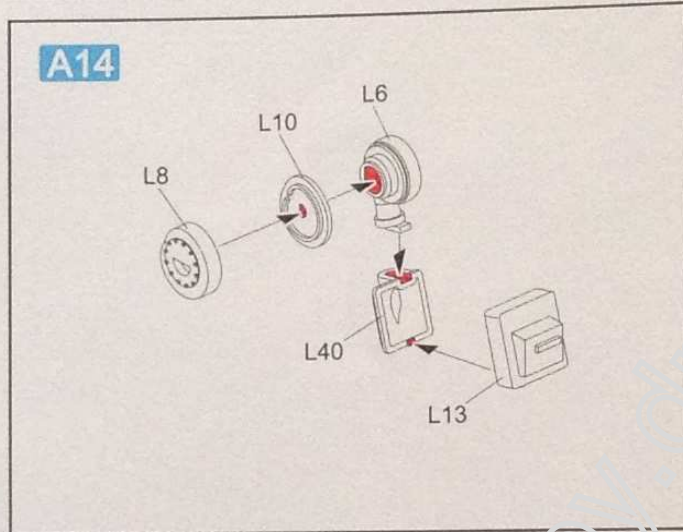
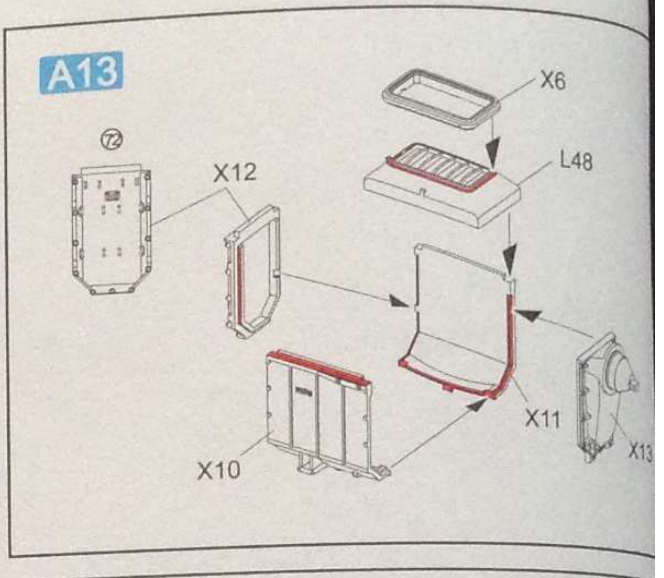
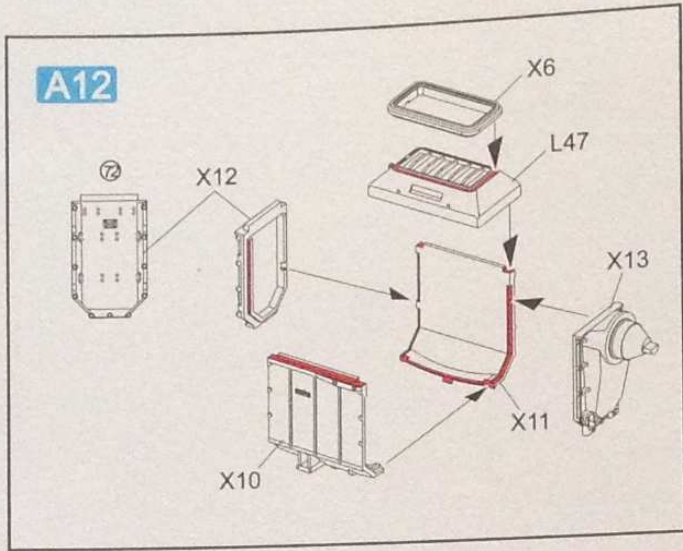


17

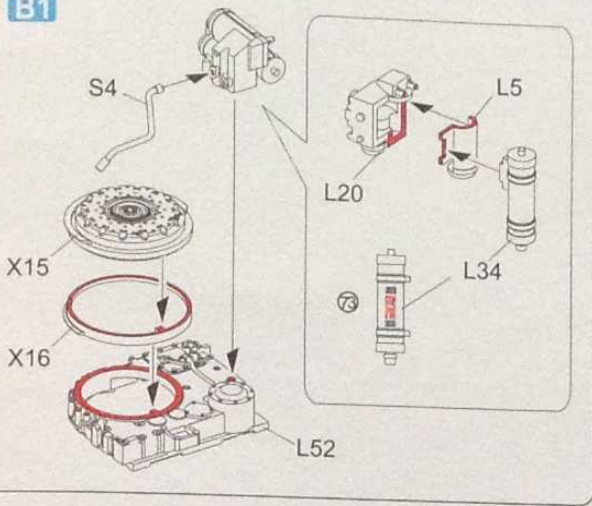


18

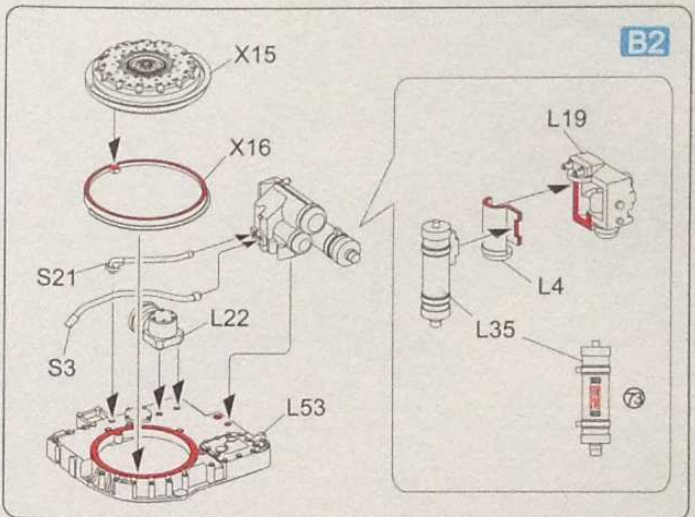




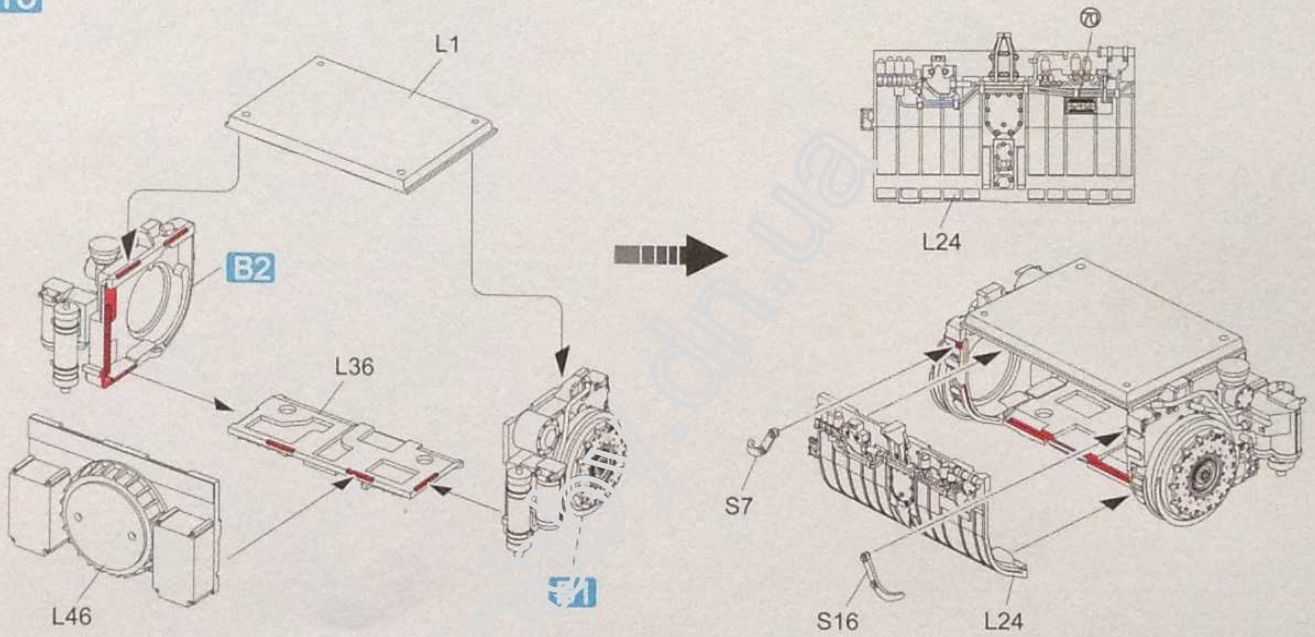
B1



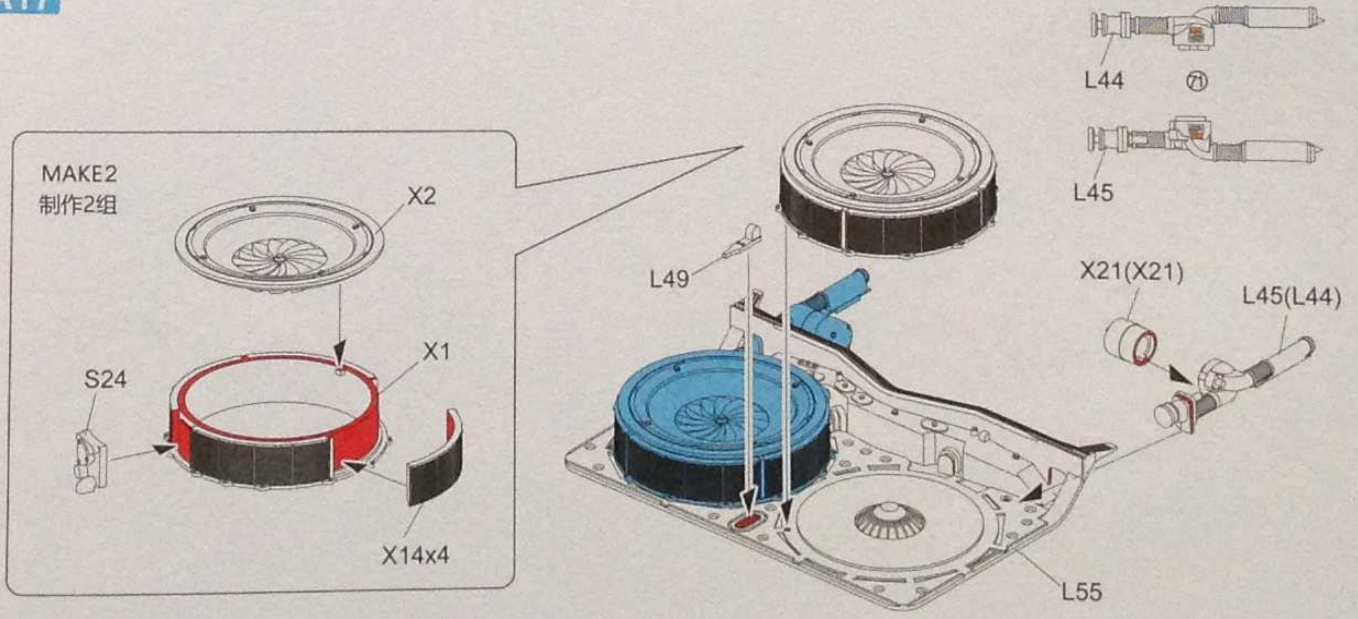
B2



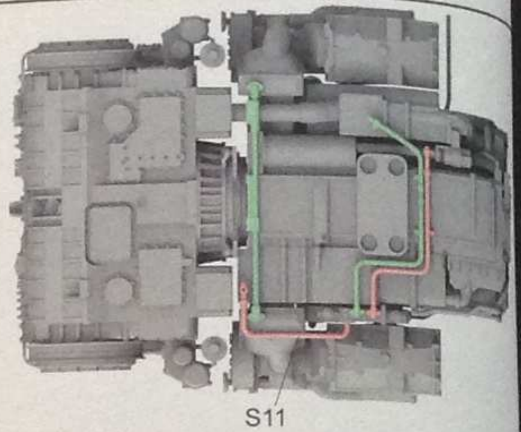
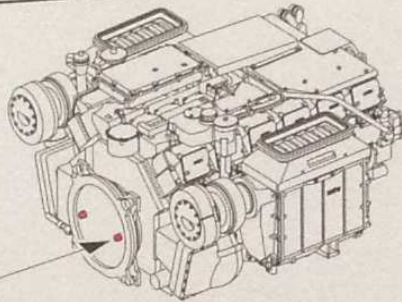
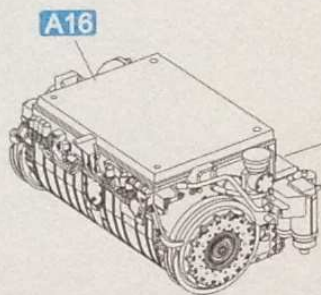
A16



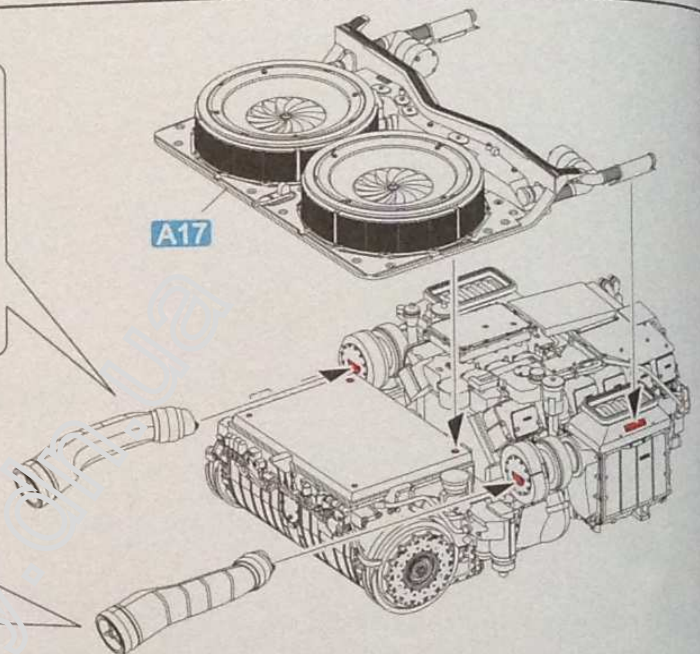
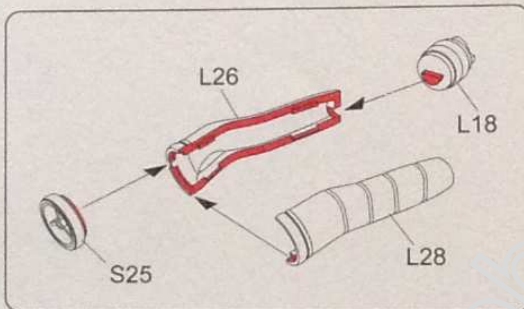
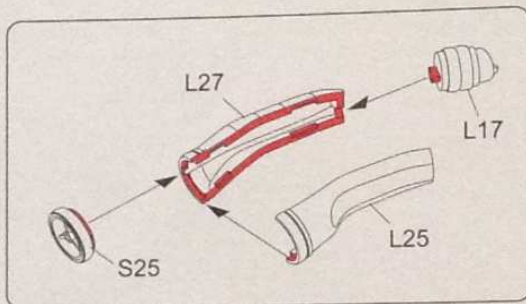
A17



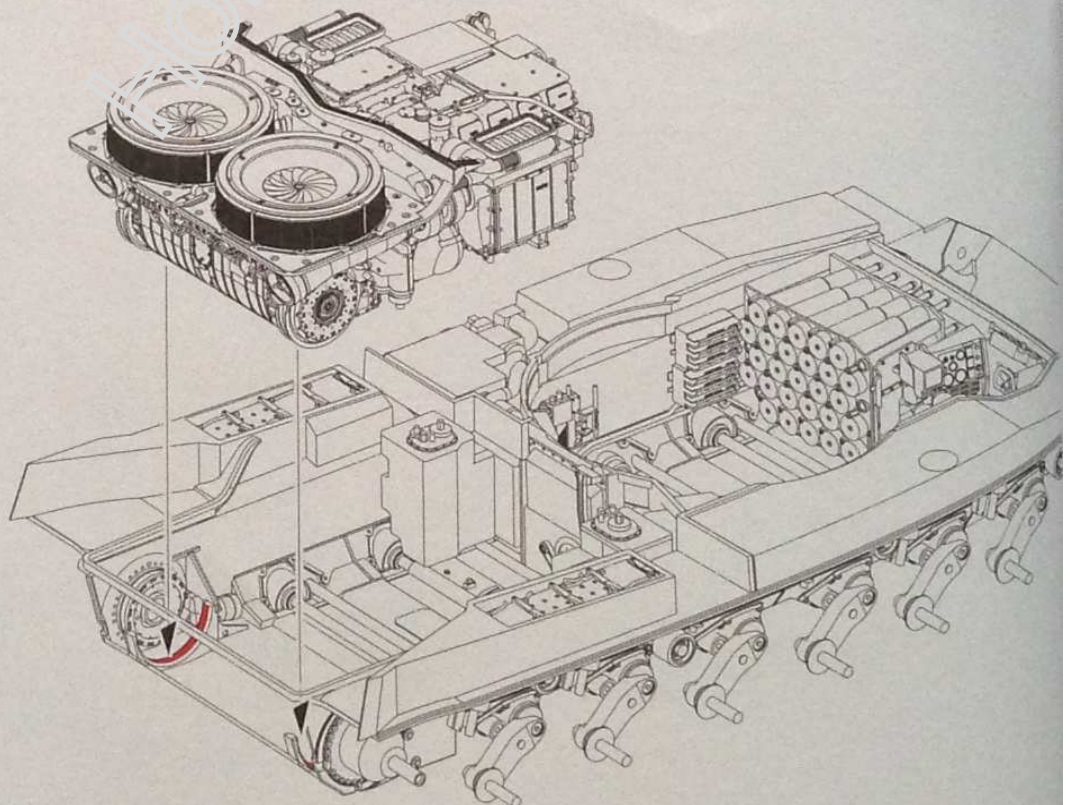
20



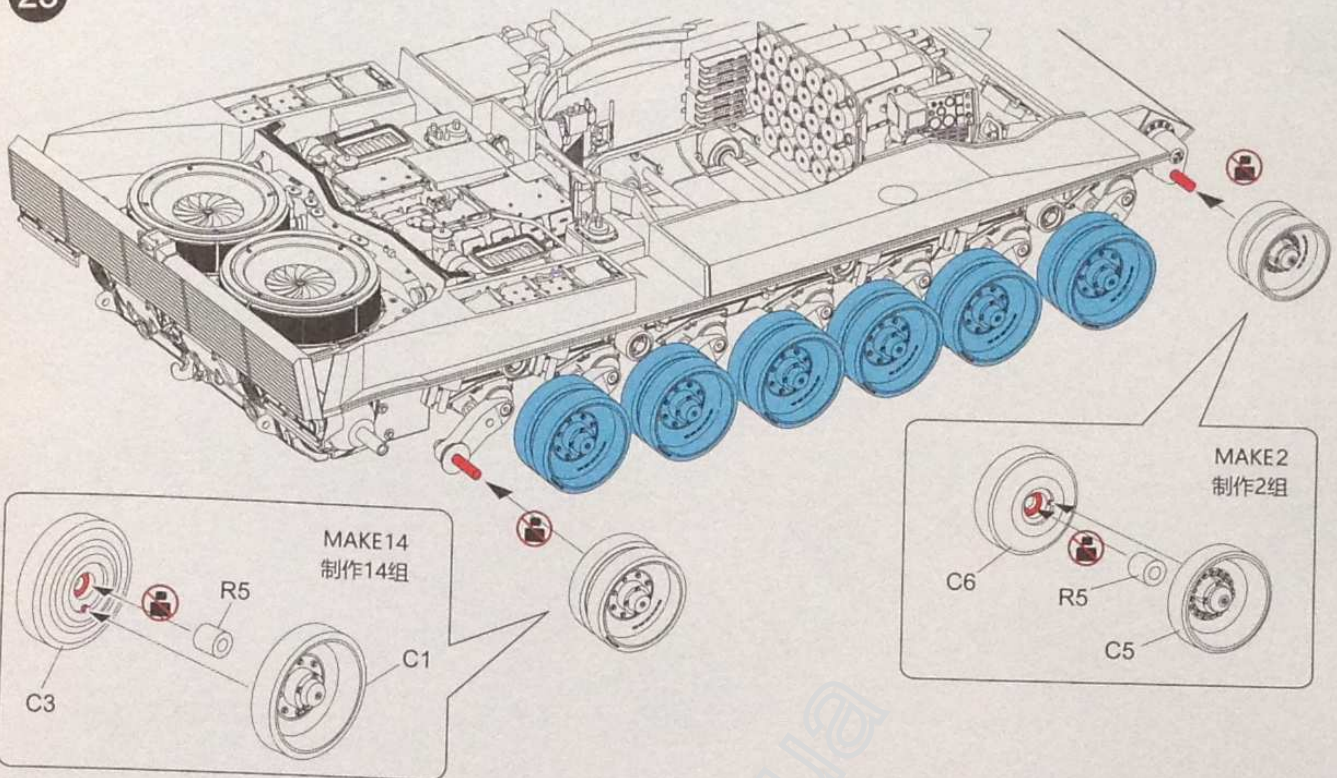
21



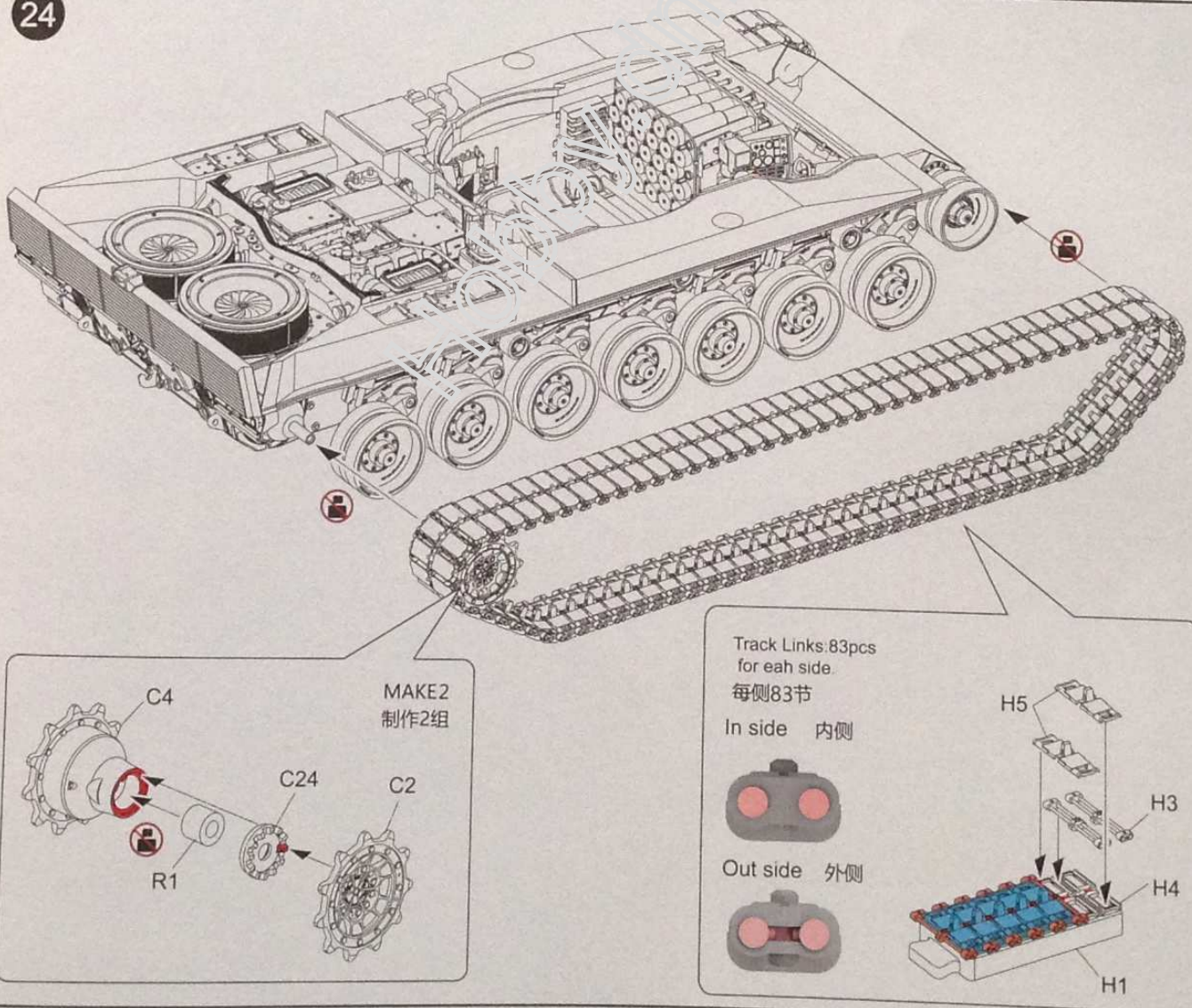
22



23

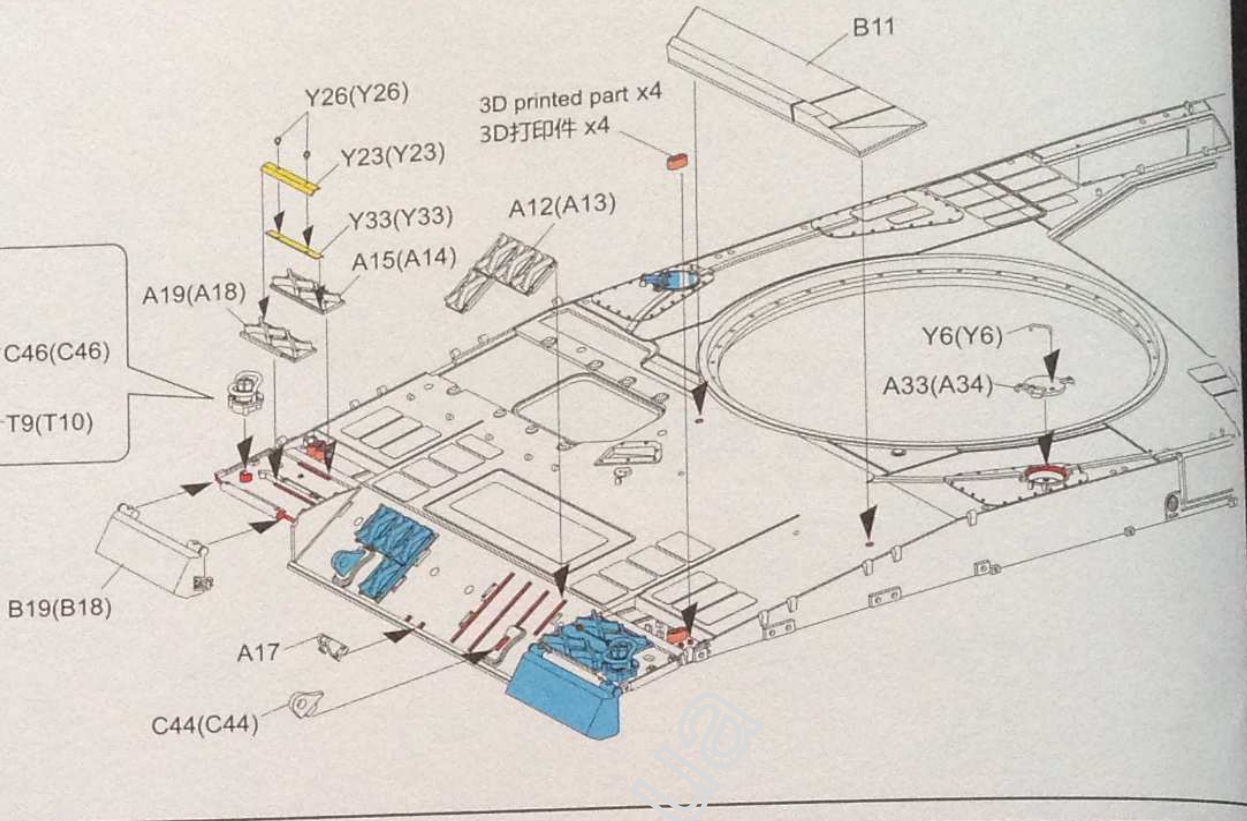
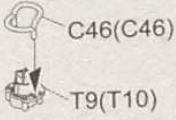


24

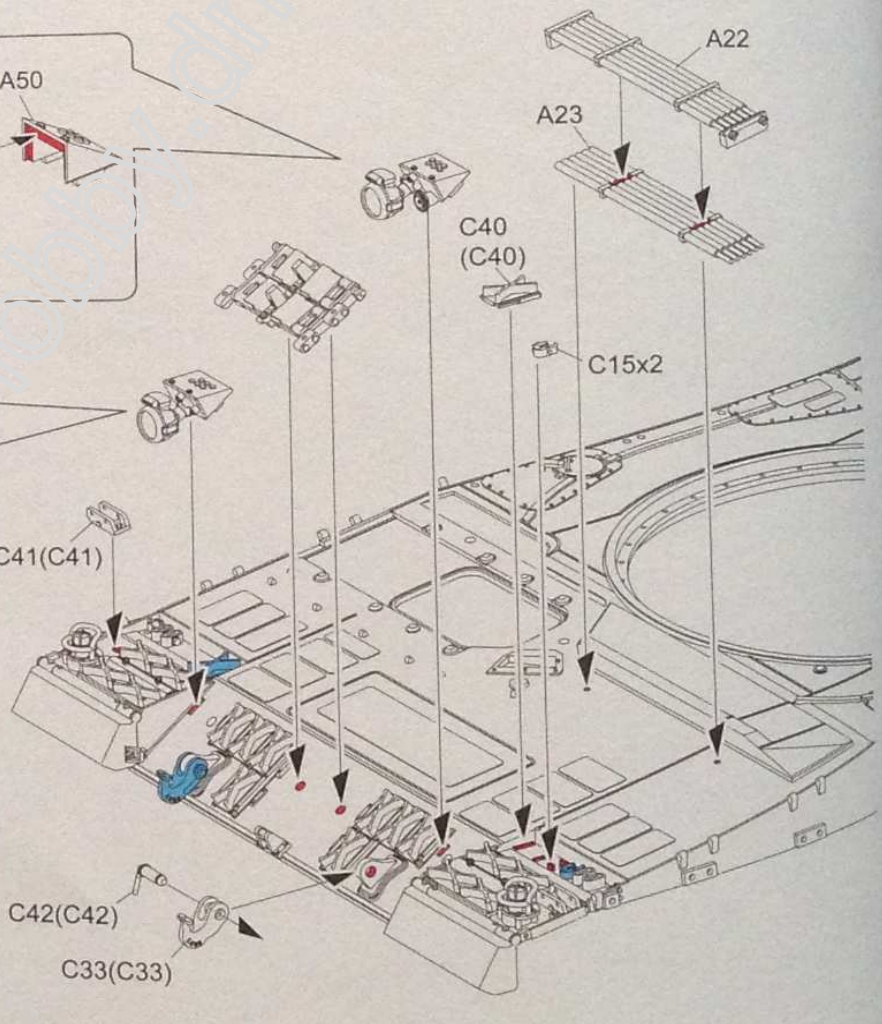
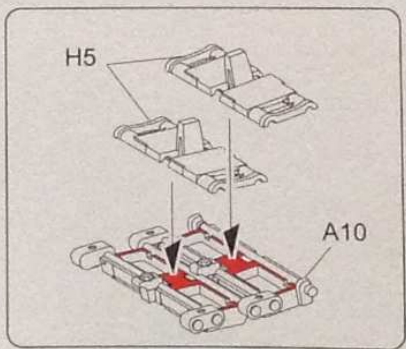
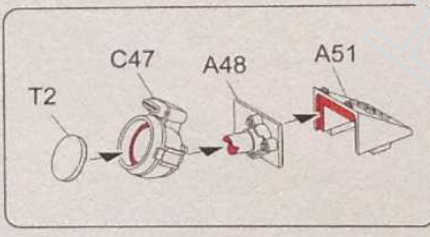
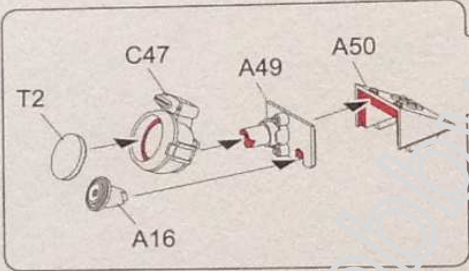


25

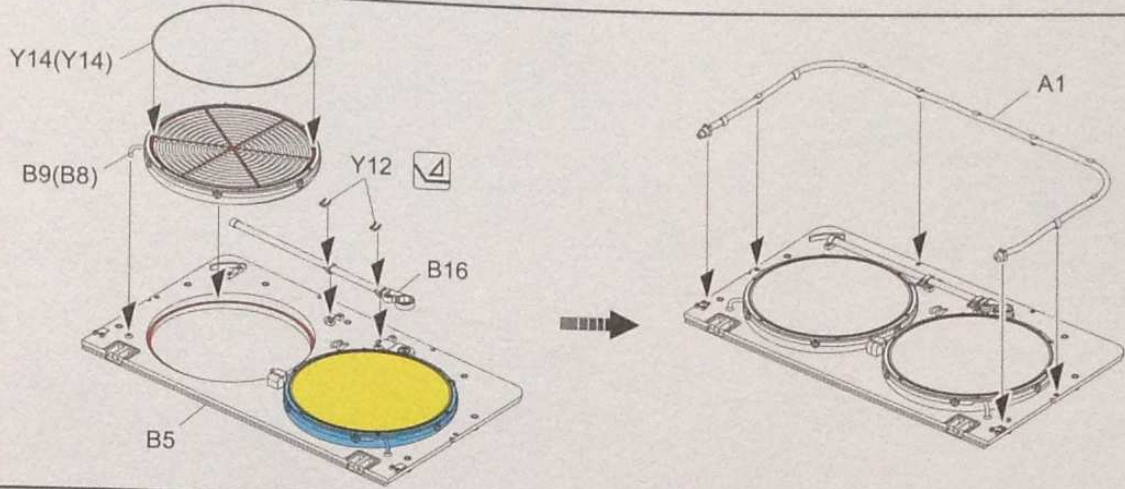
MAKE2
制作2组



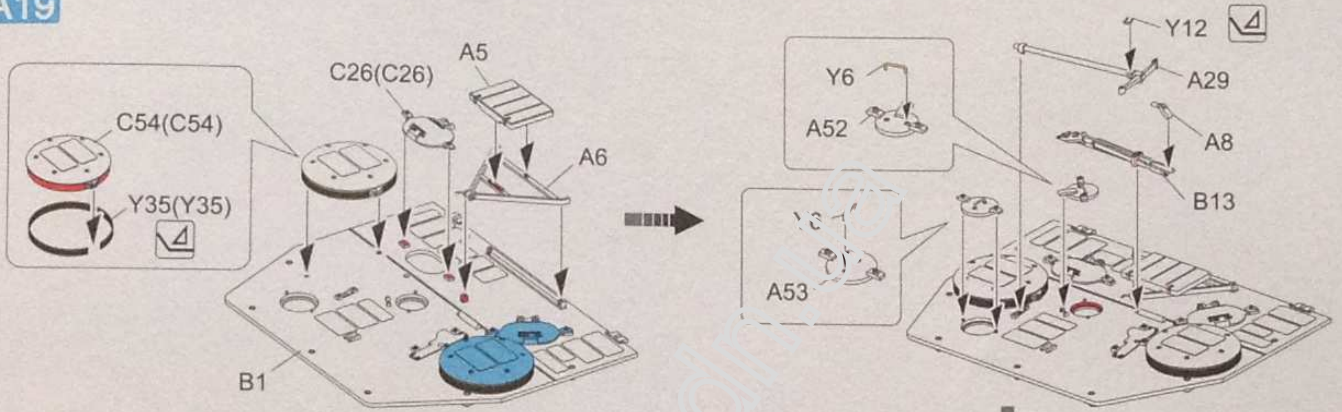
26



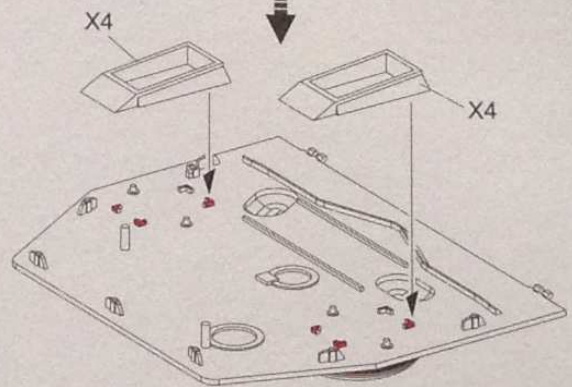
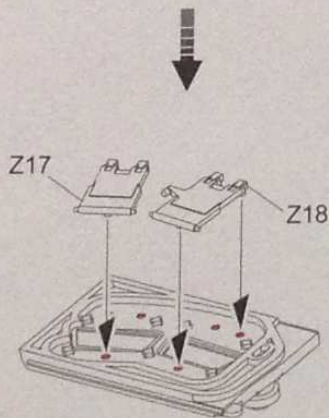
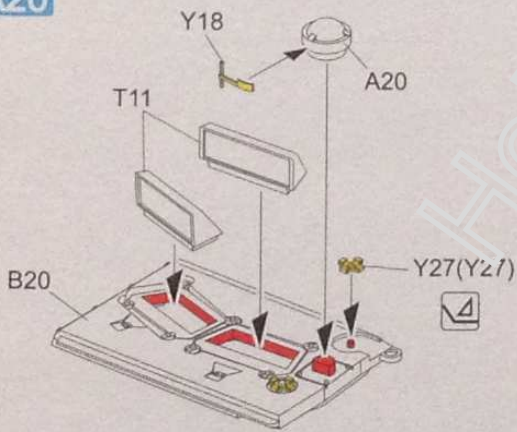
A18



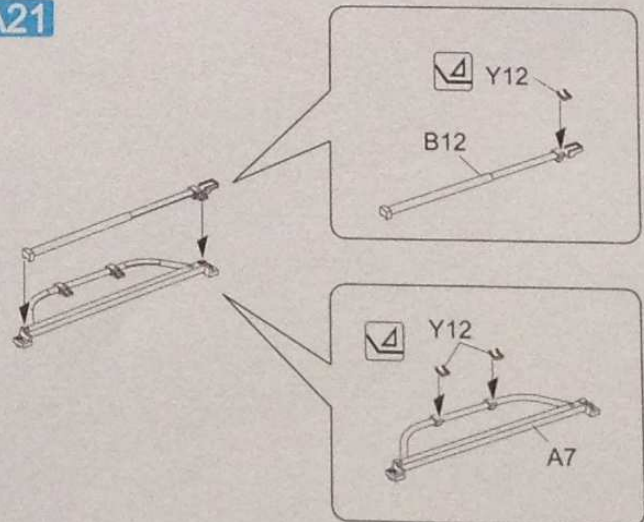
A19

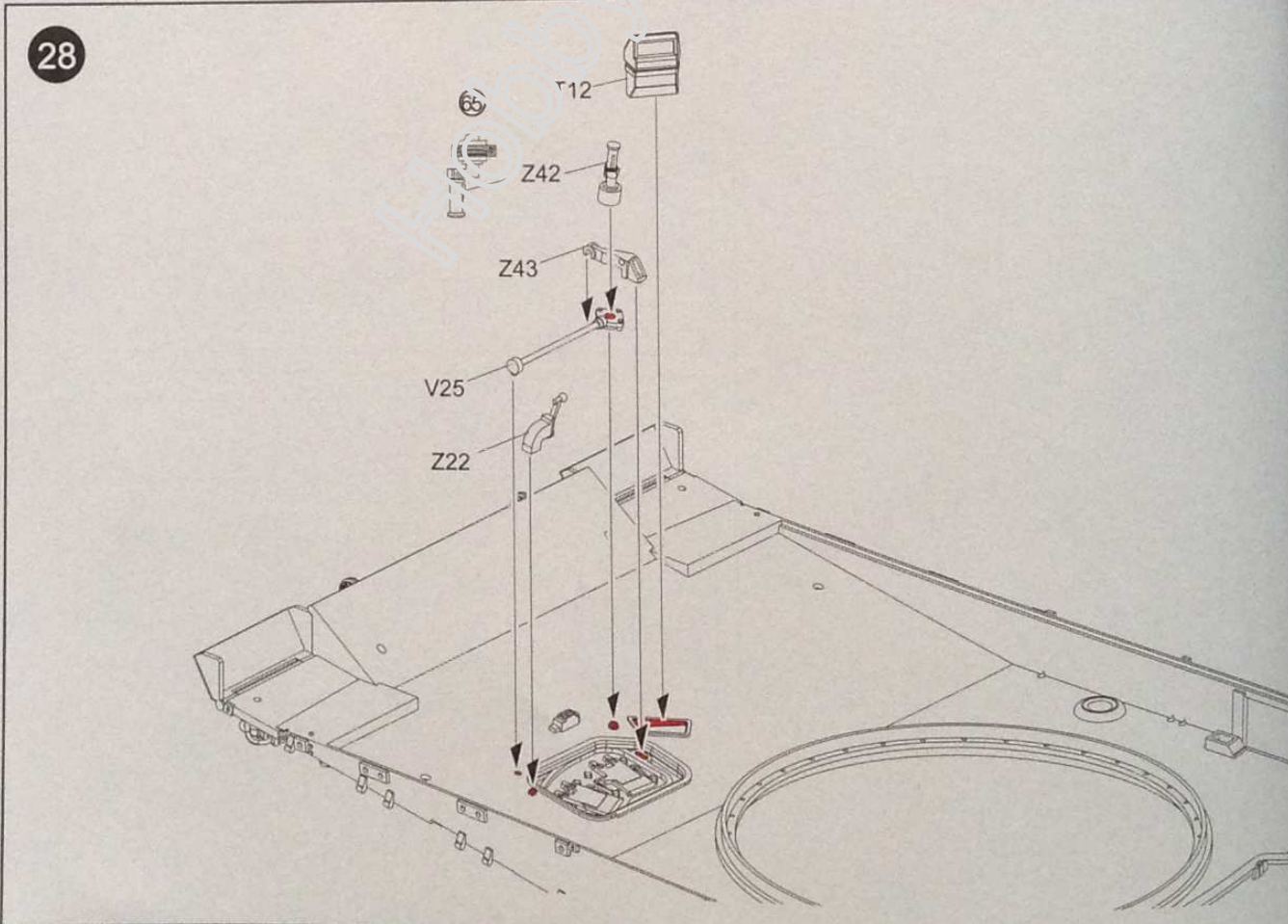
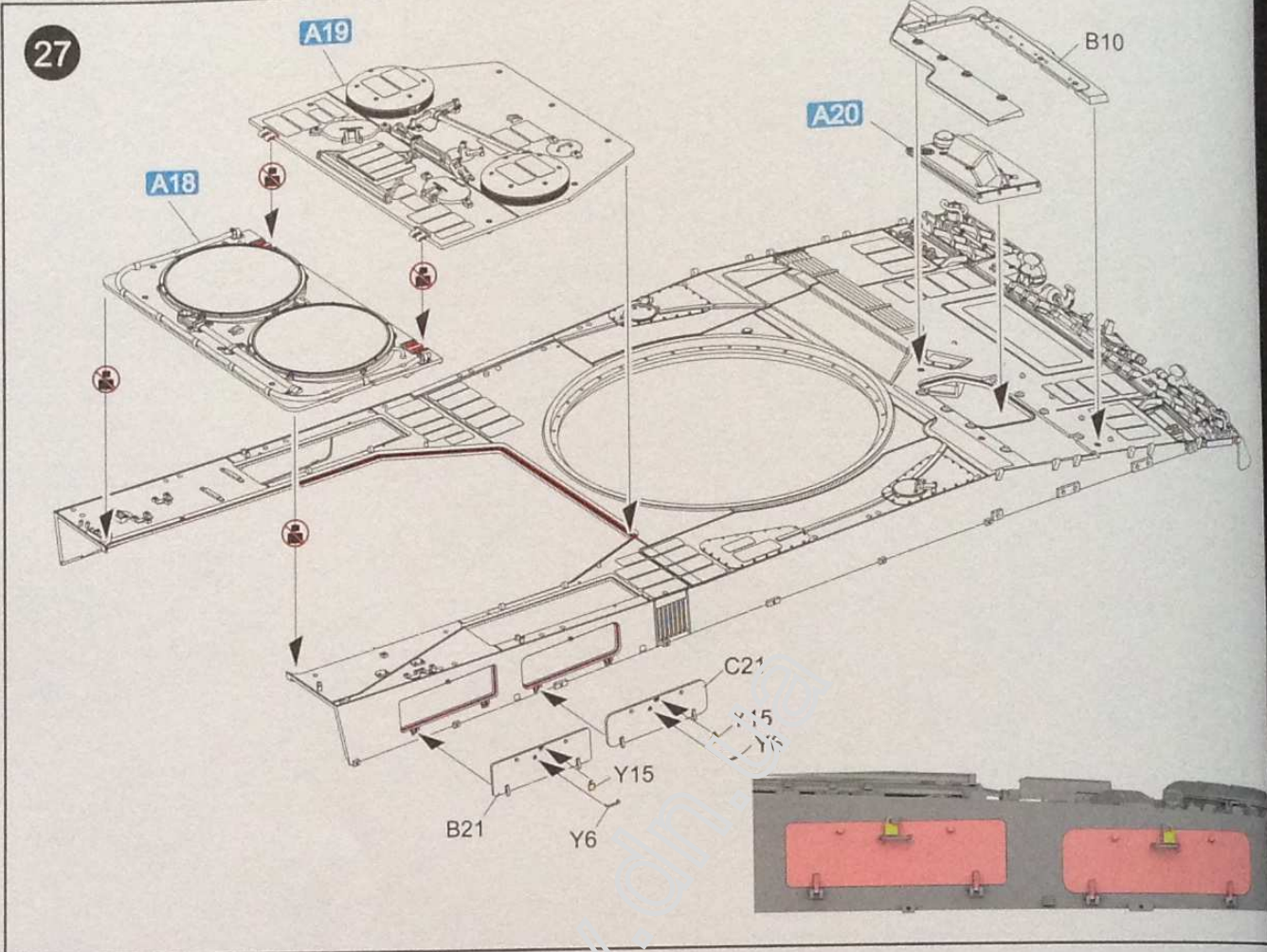


A20

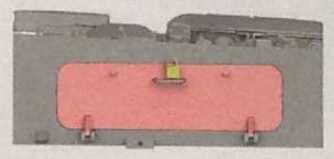
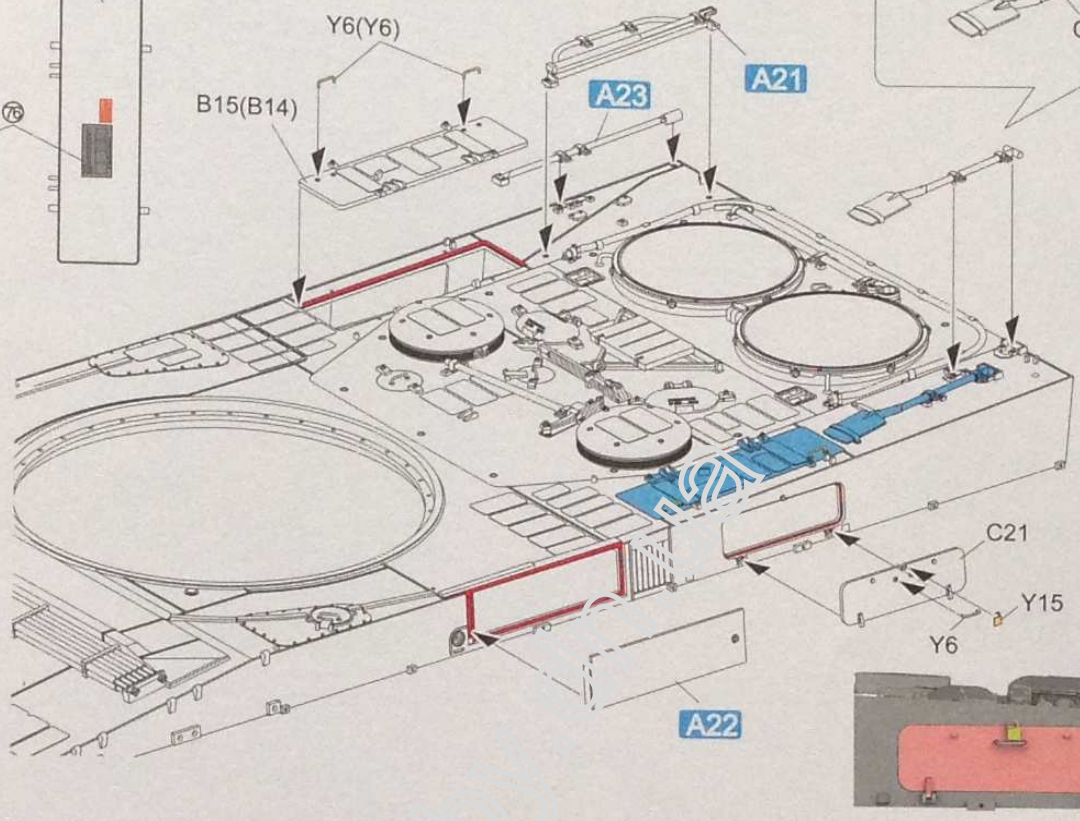
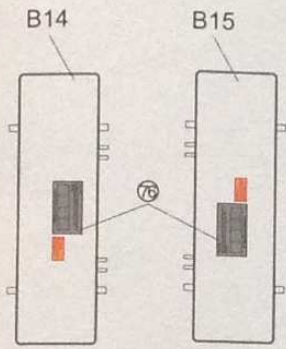
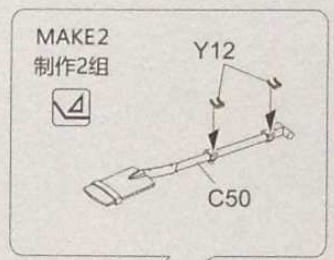
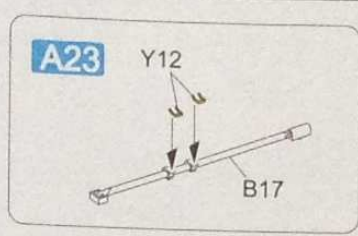
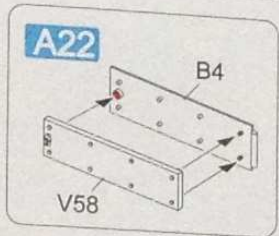


A21

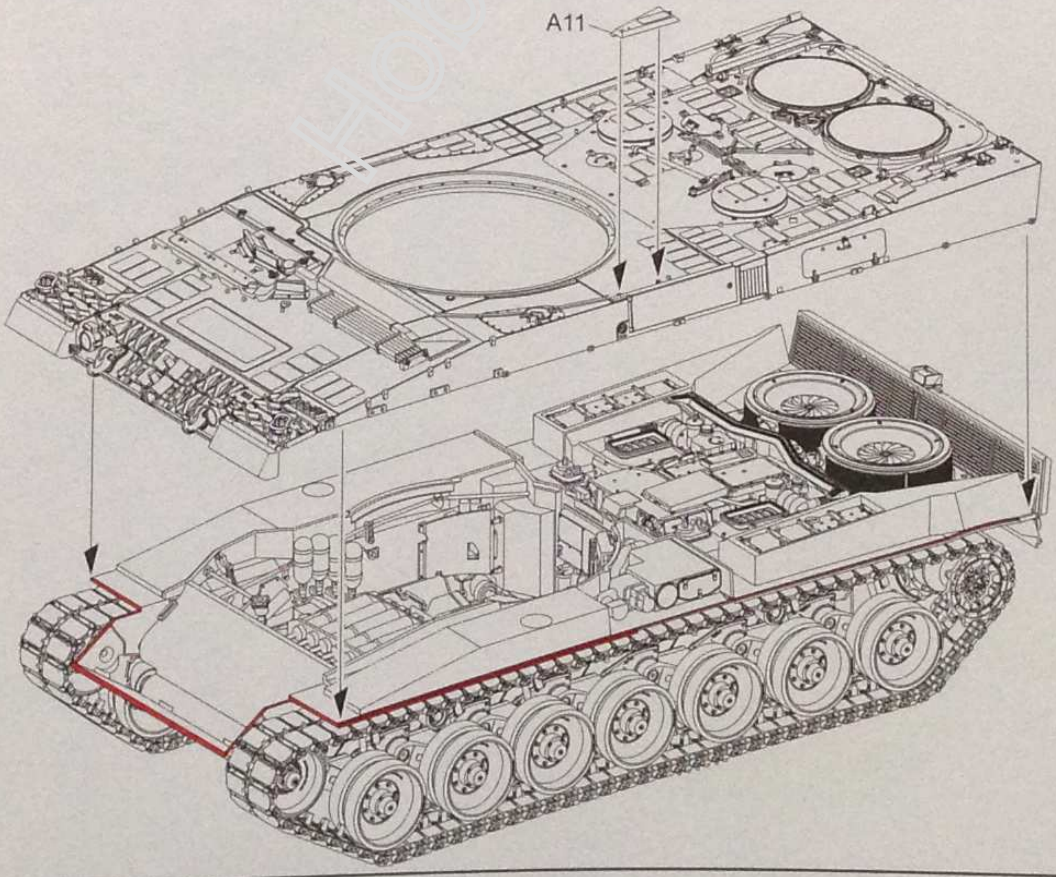




29

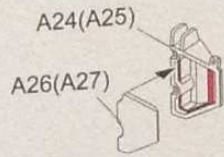


30

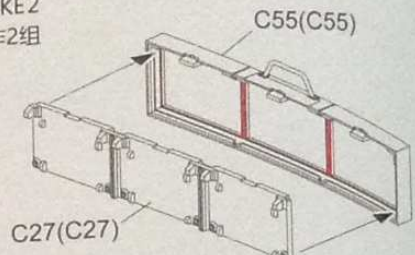


31

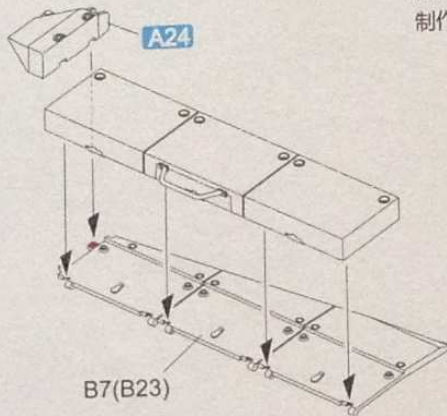
MAKE2
制作2组 **A24**



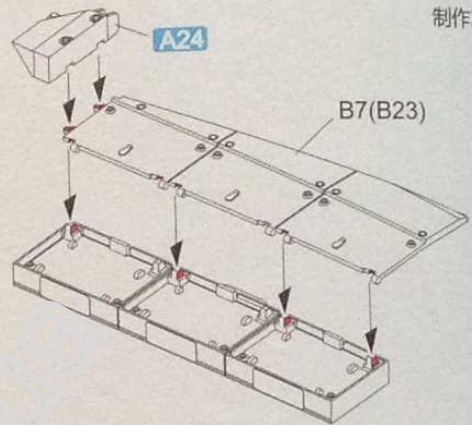
MAKE2
制作2组



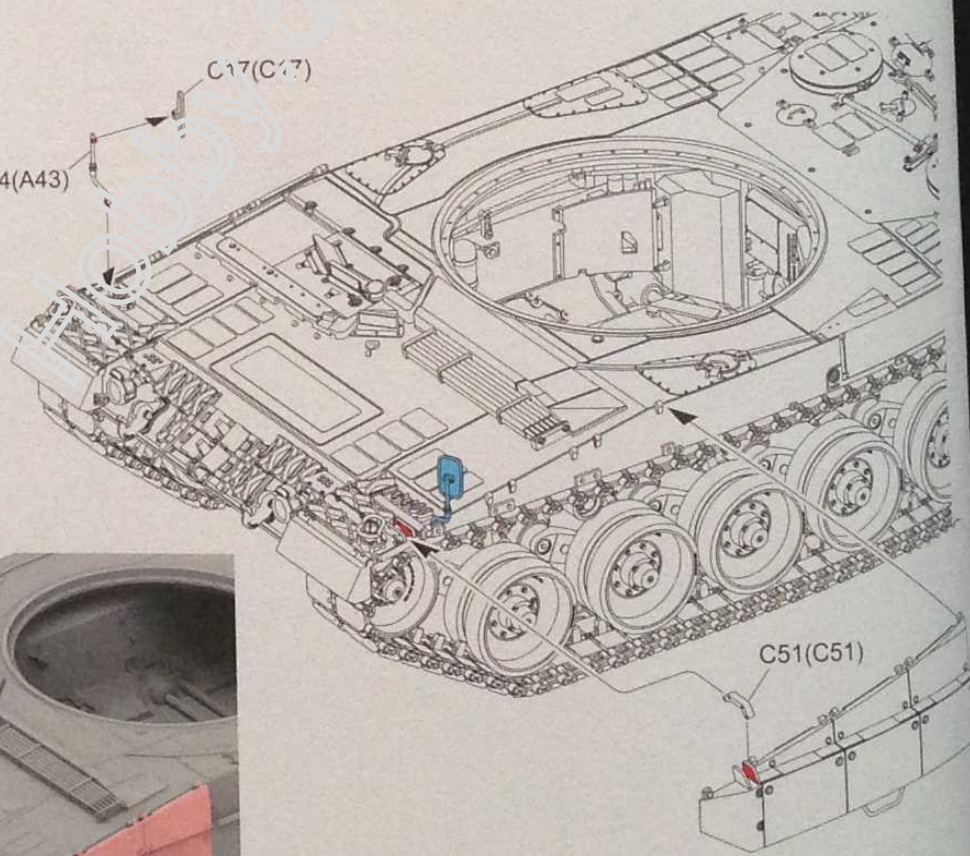
MAKE2
制作2组



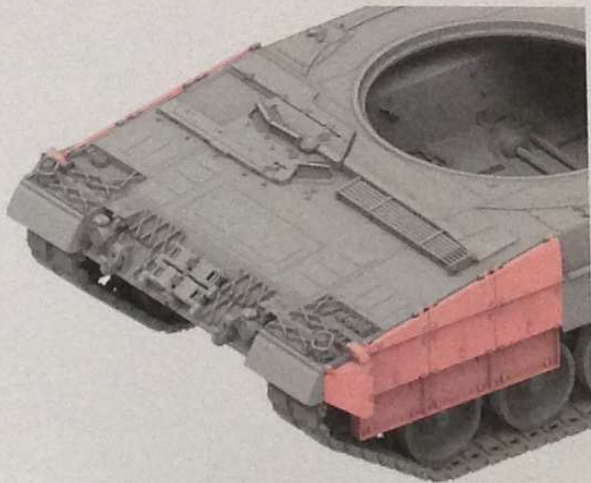
MAKE2
制作2组



C17(C17)
A44(A43)



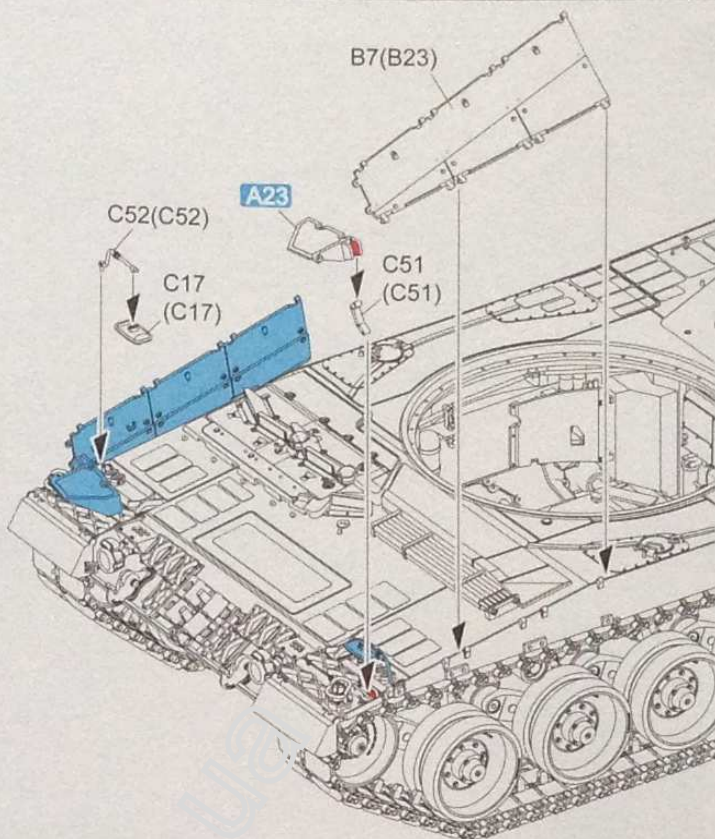
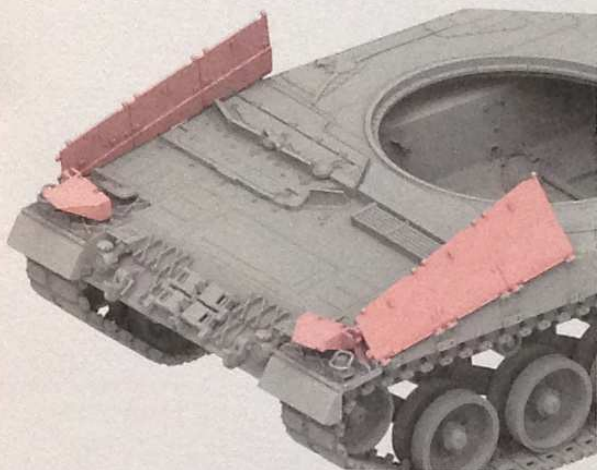
C51(C51)



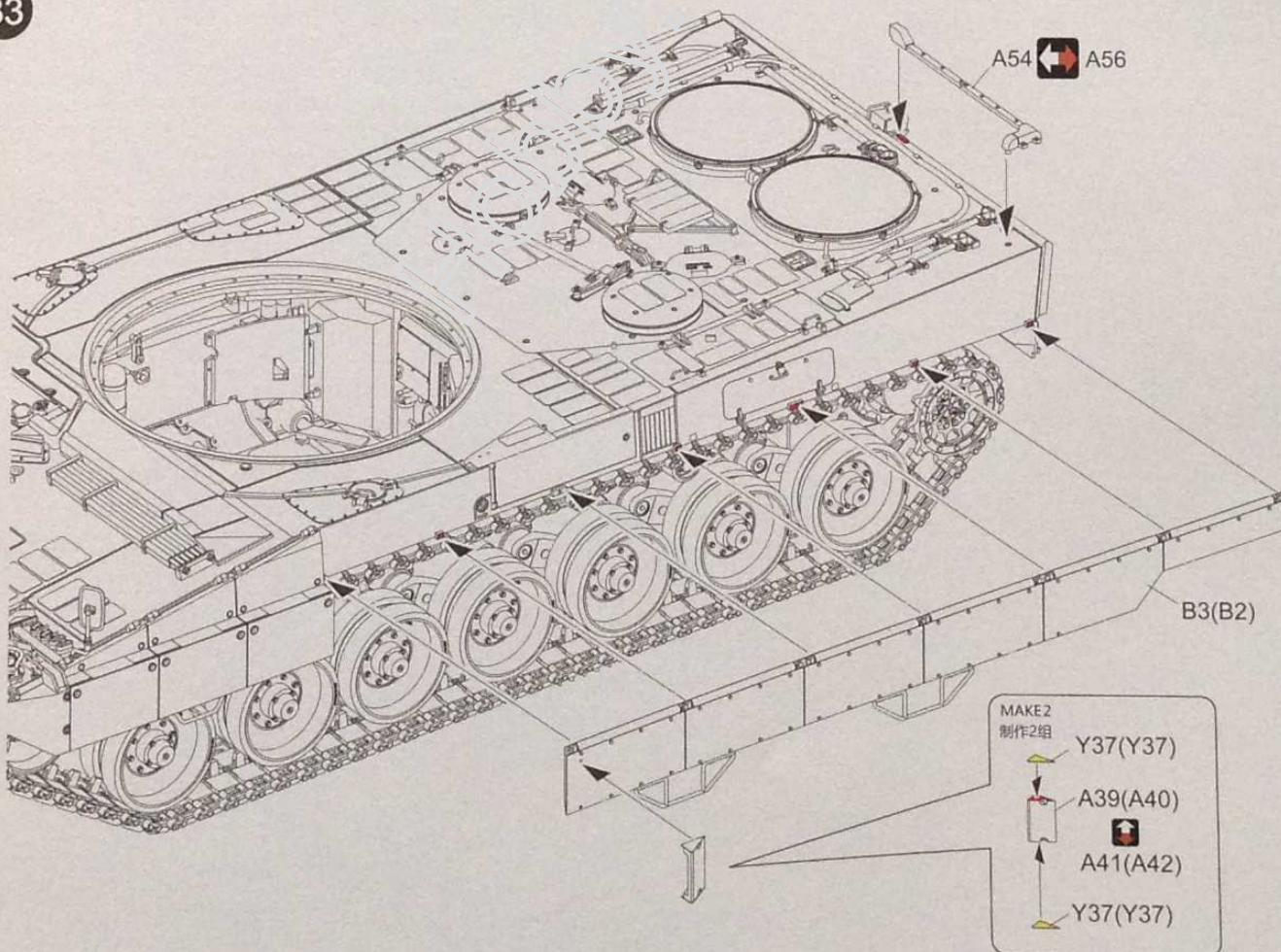
32

Maintenance status

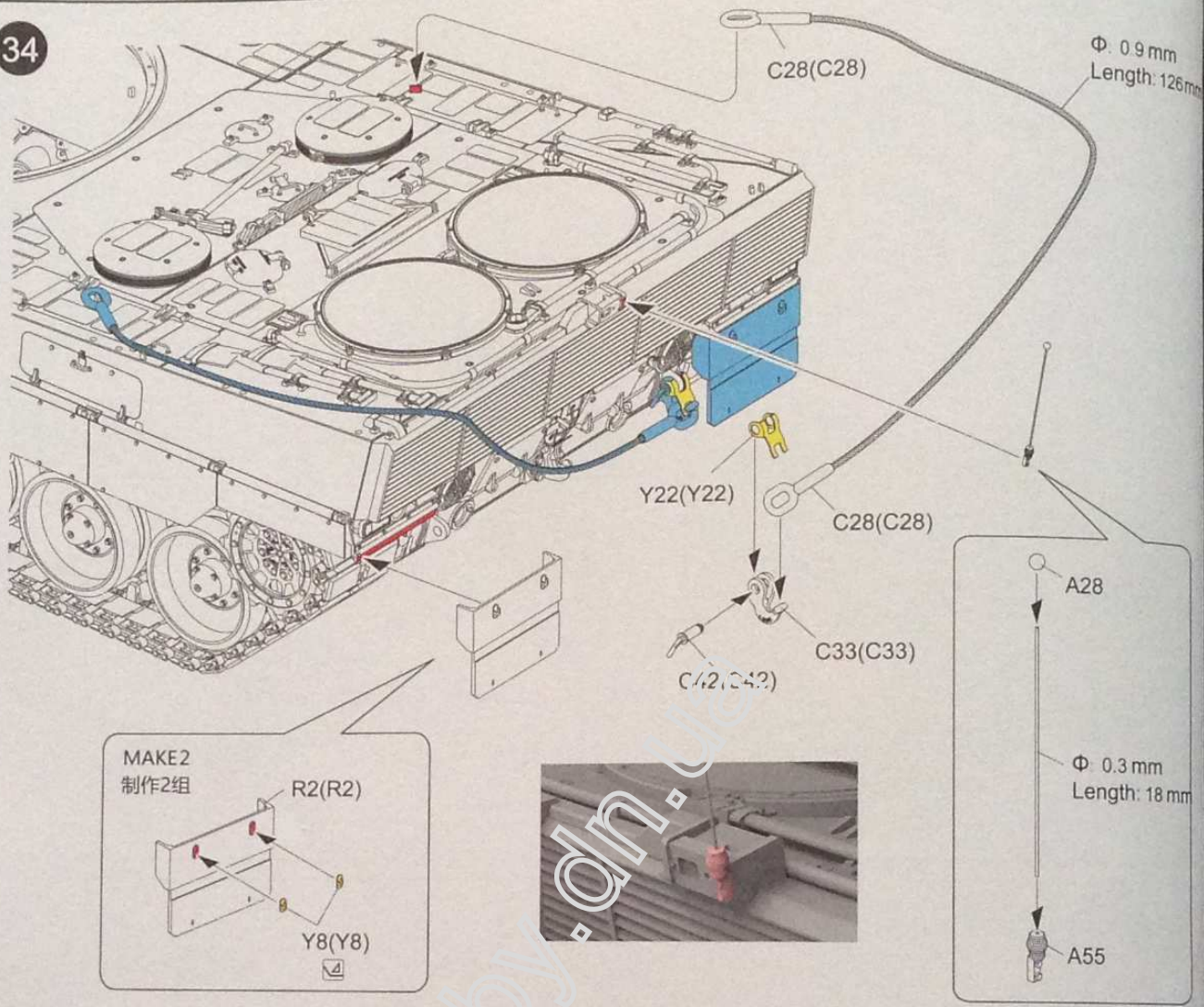
检修状态



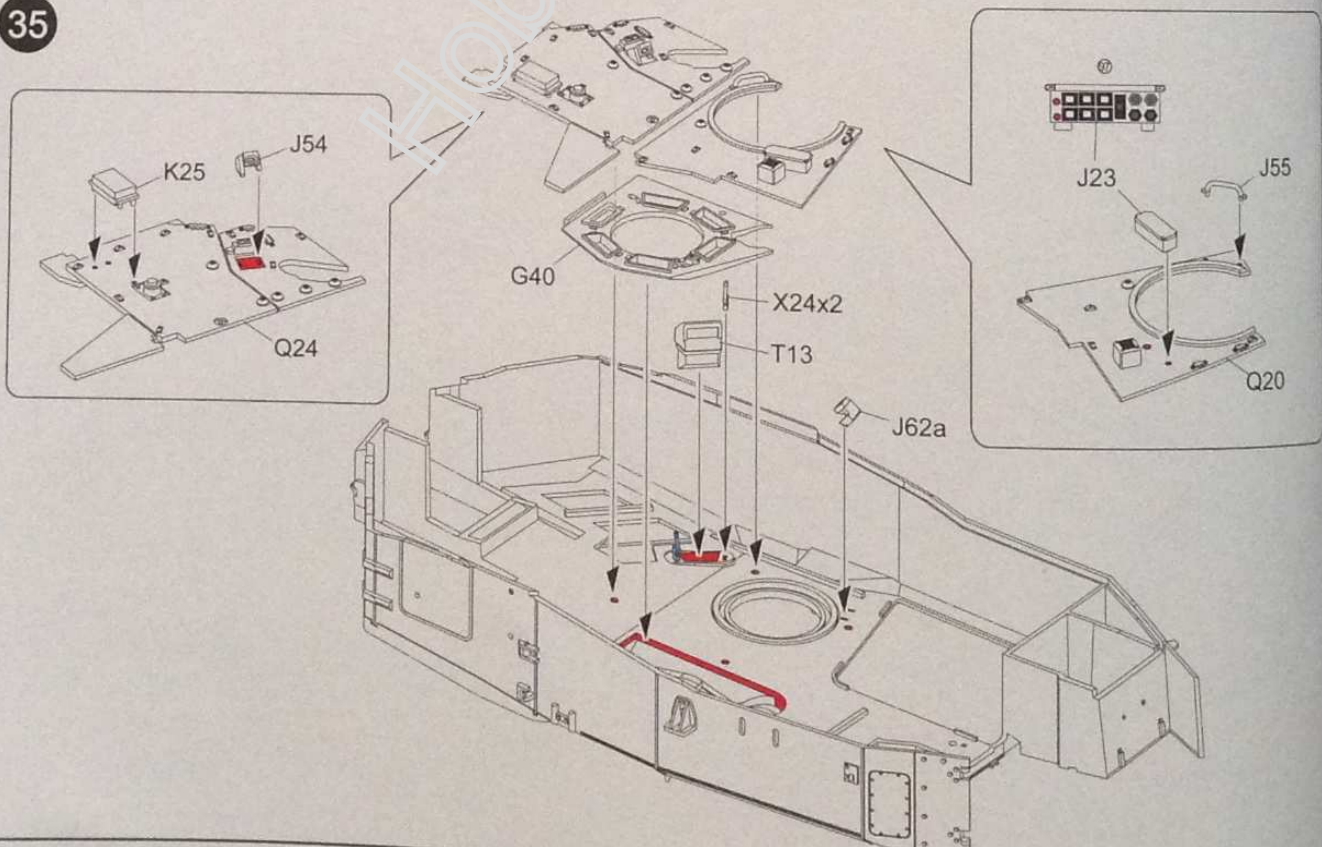
33



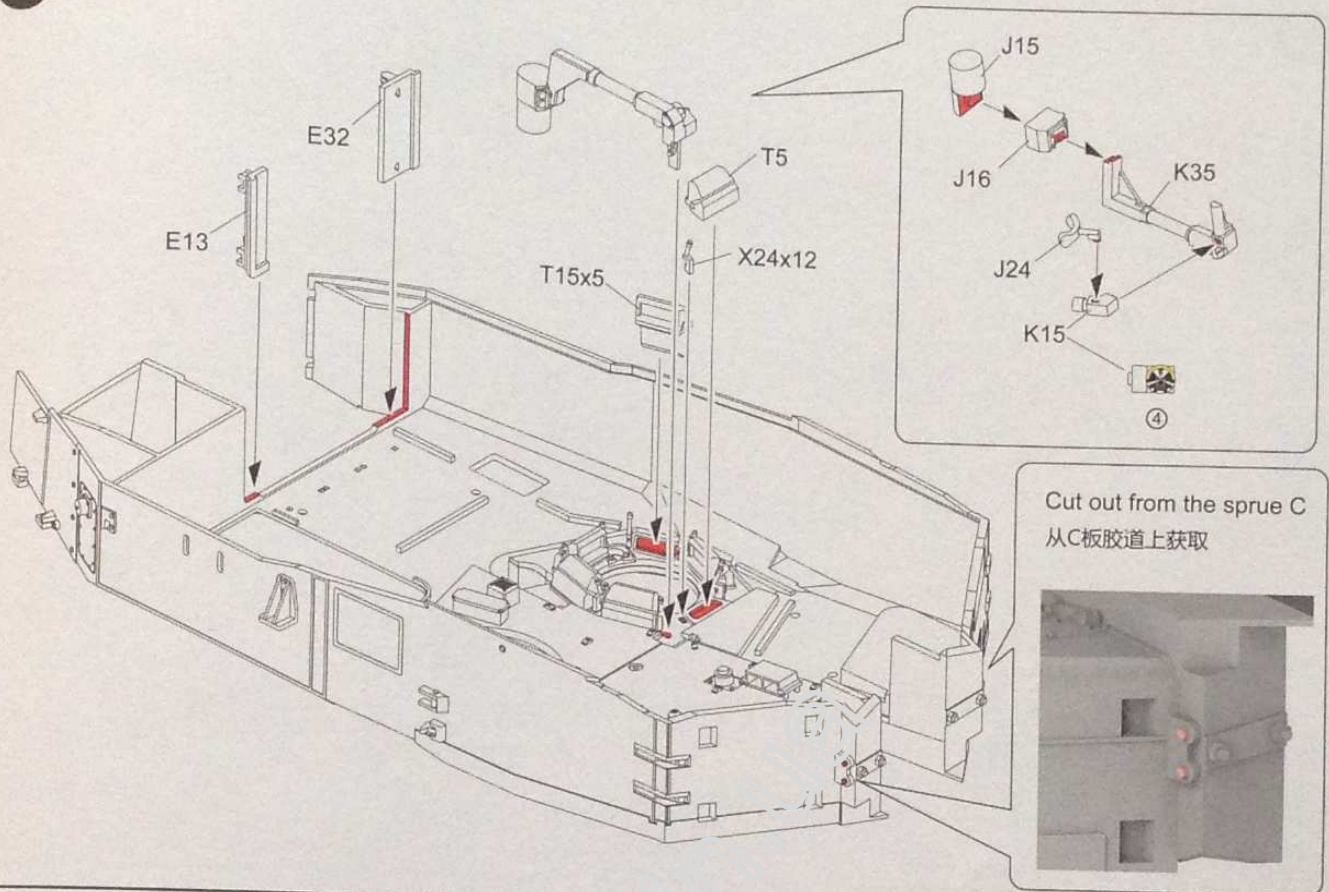
34



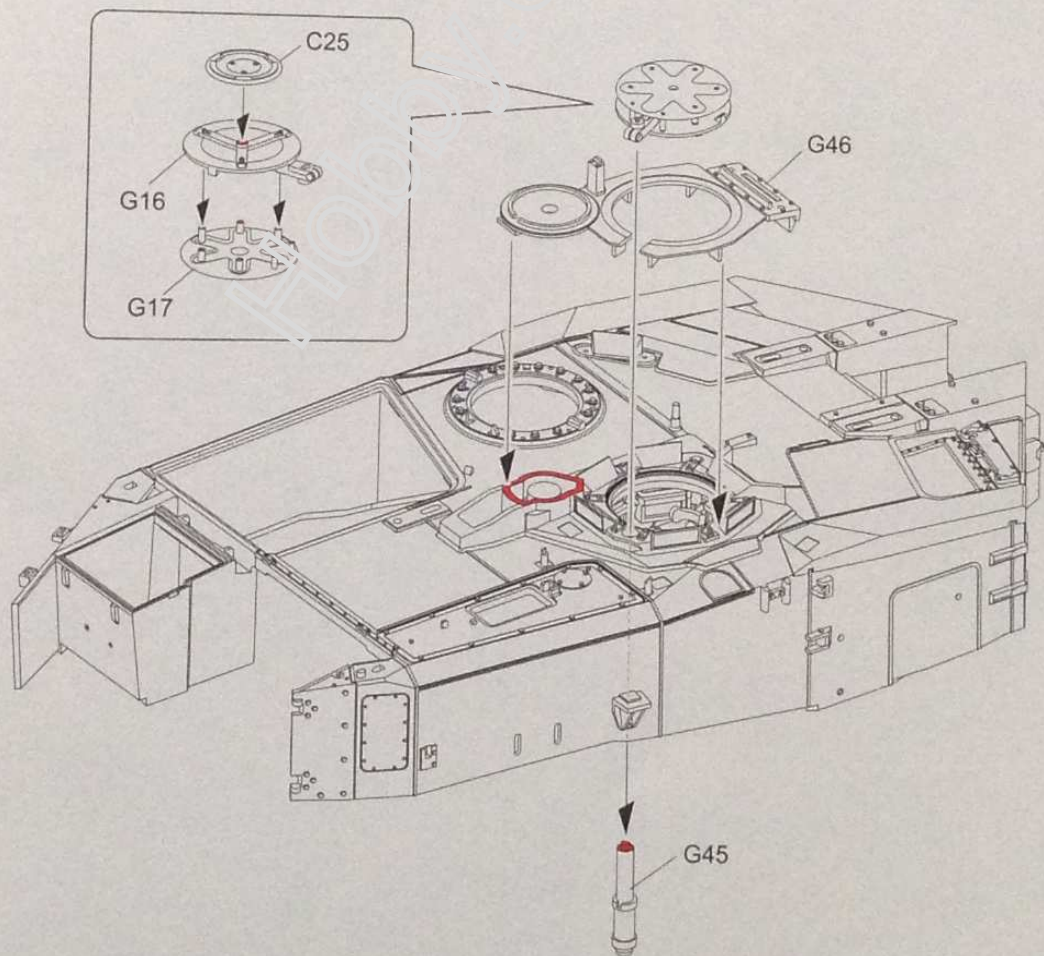
35



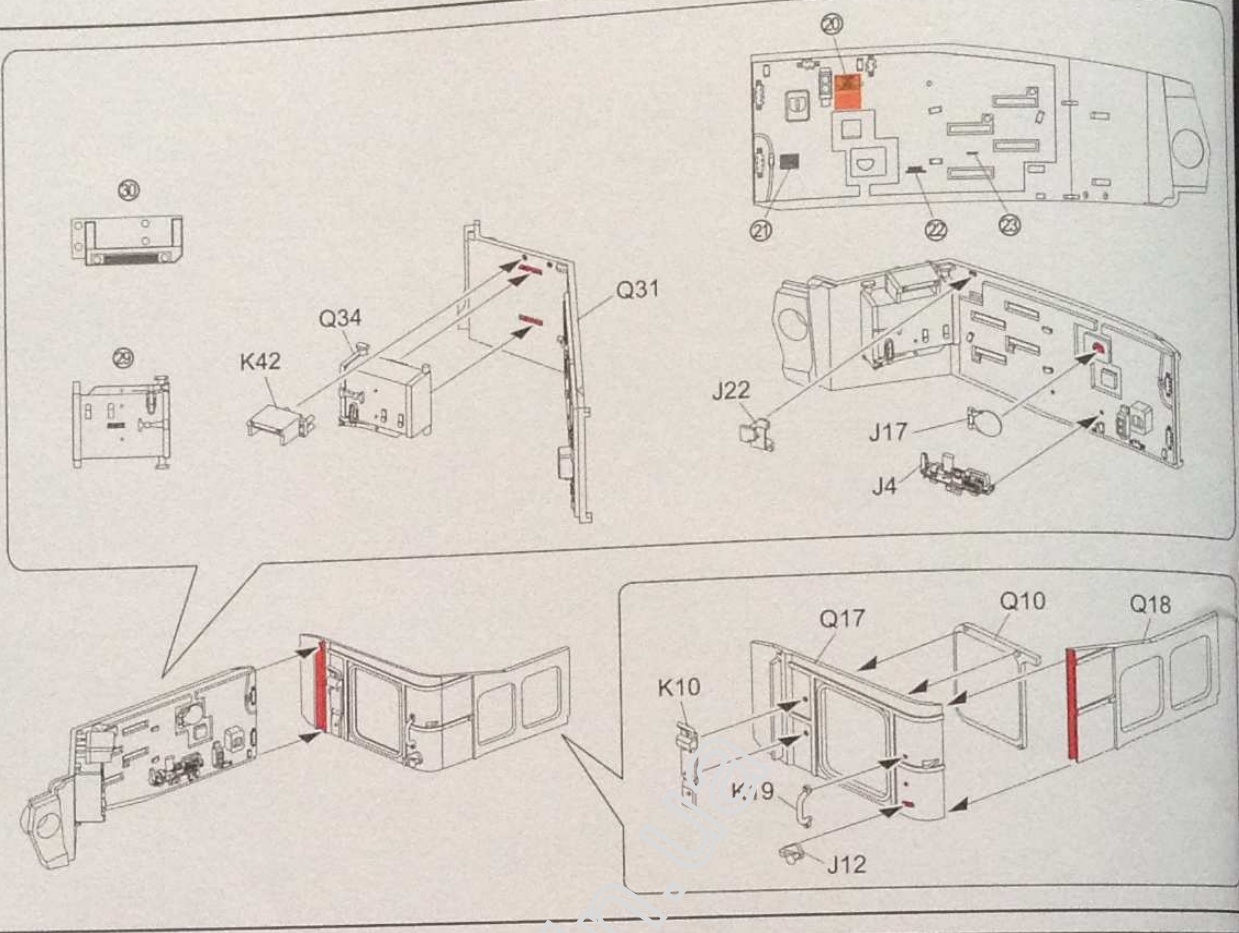
36



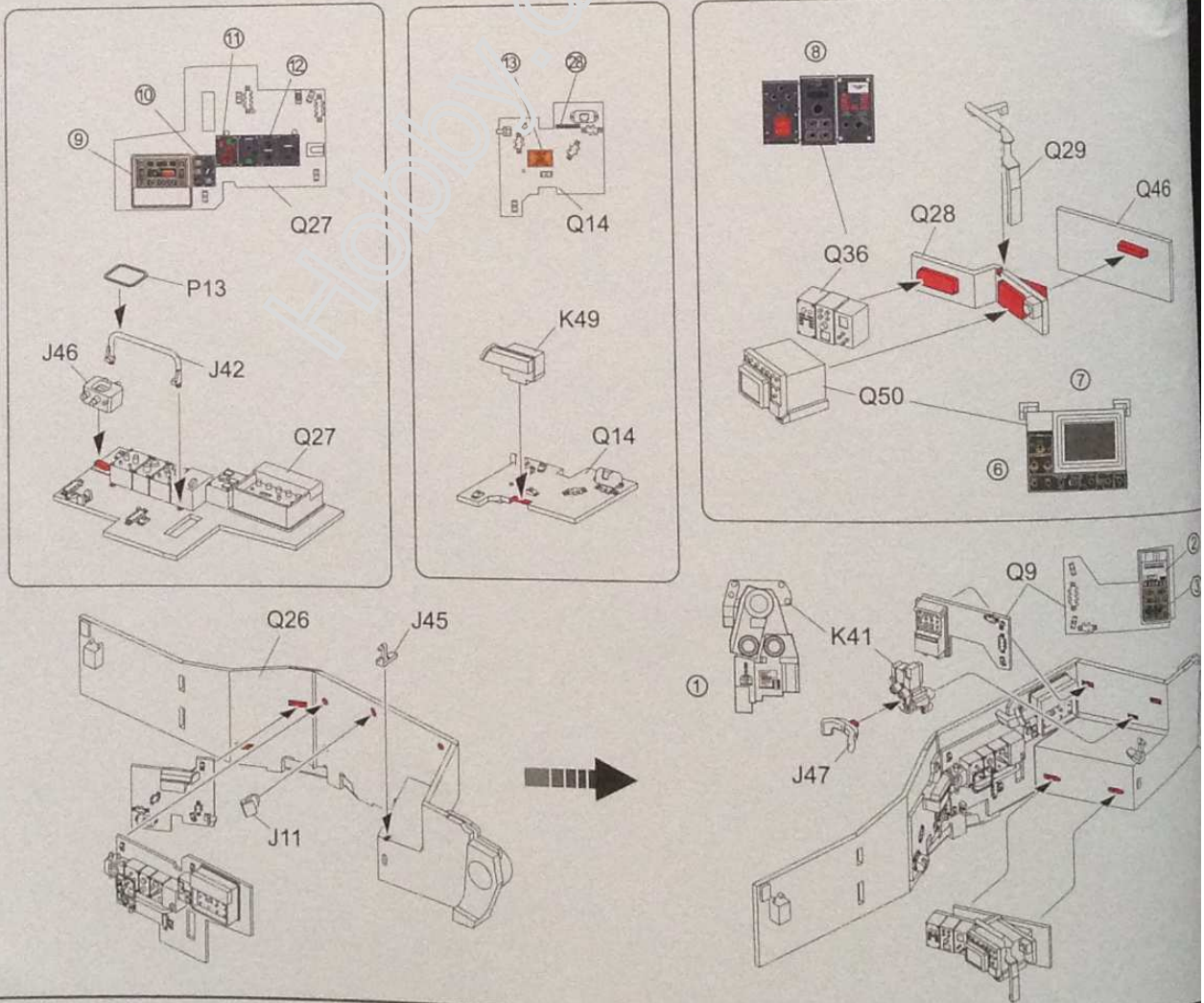
37



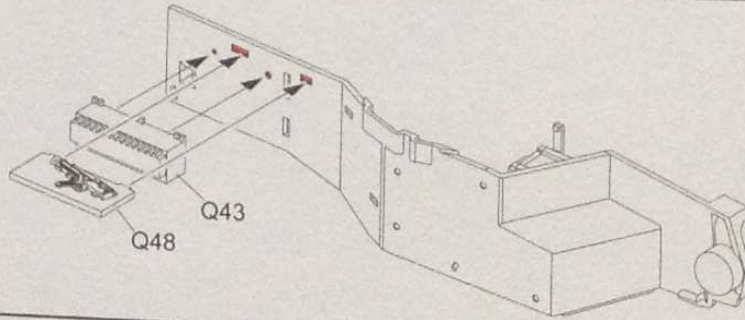
38



39

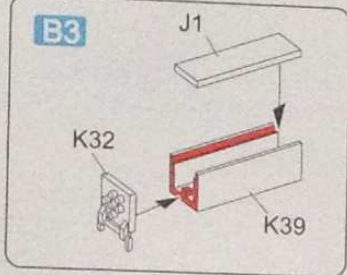


40

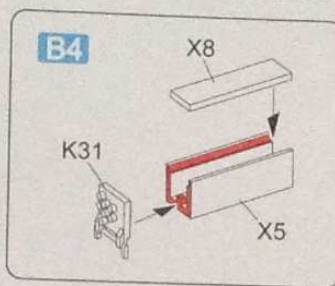


A25

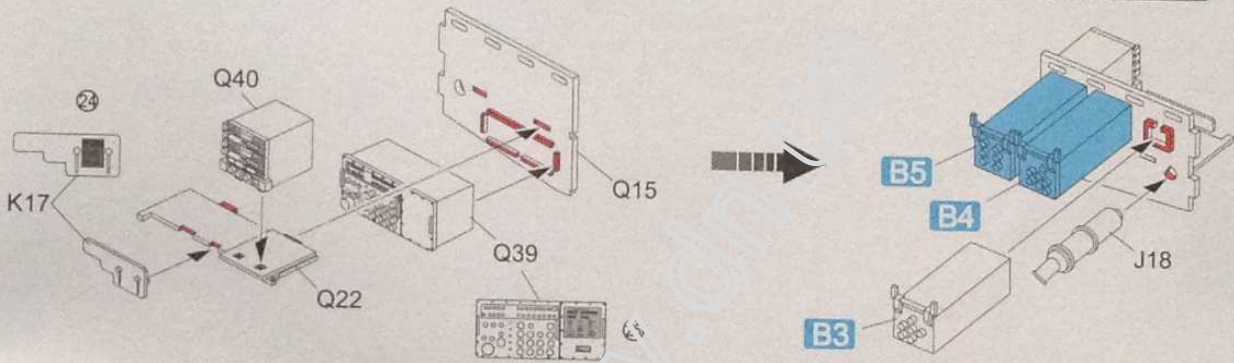
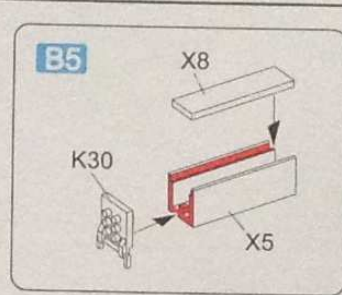
B3



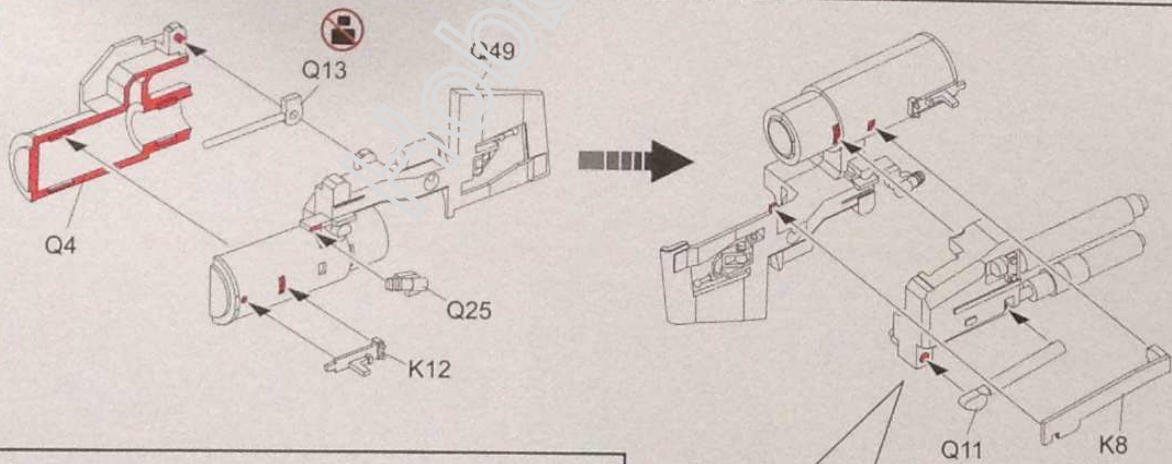
B4



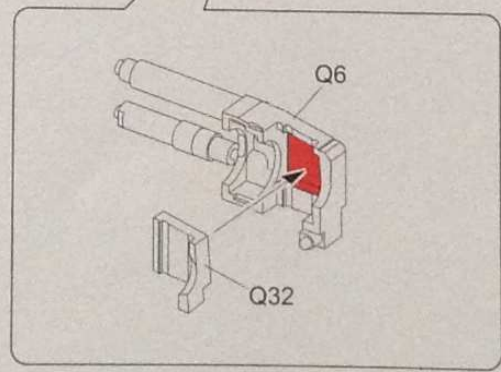
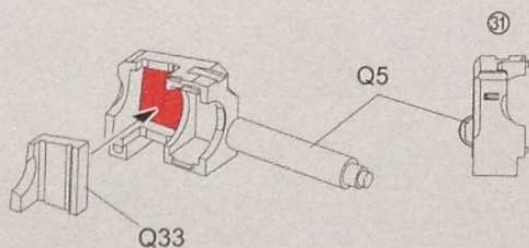
B5



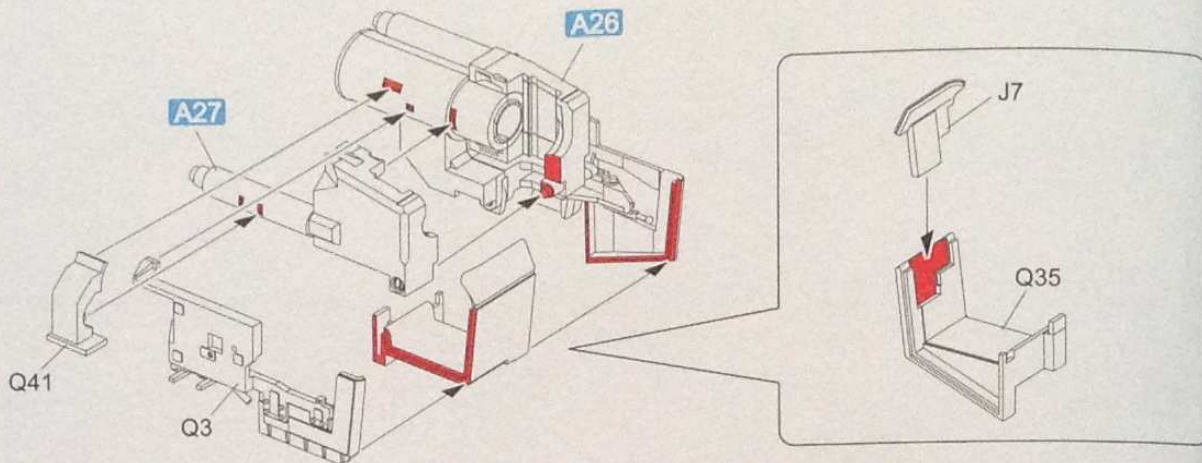
A26



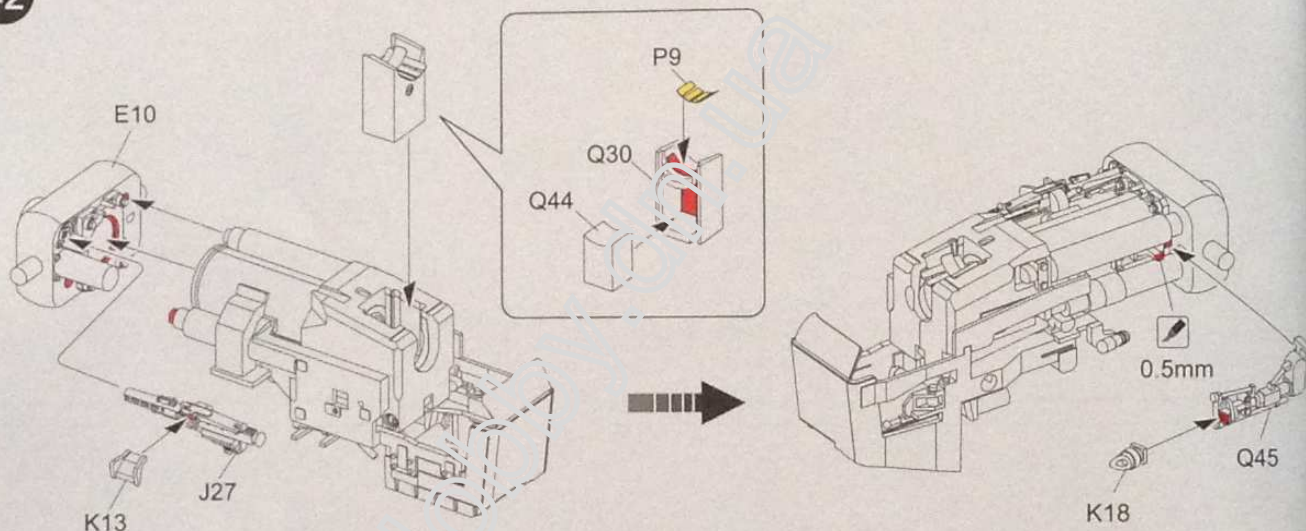
A27



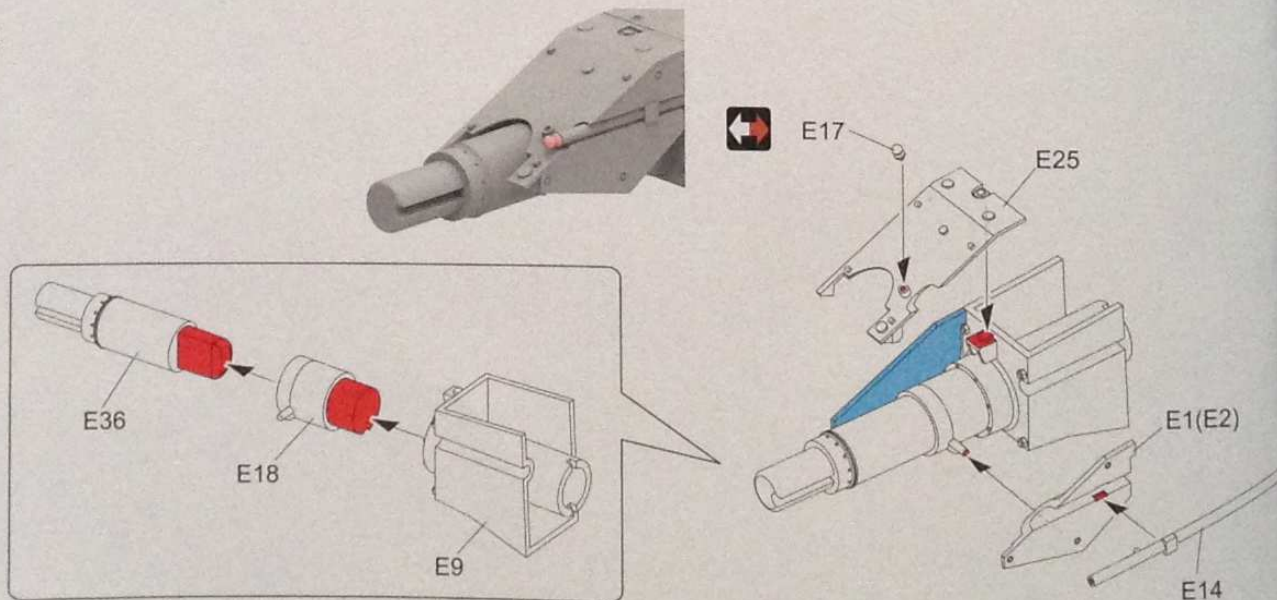
41



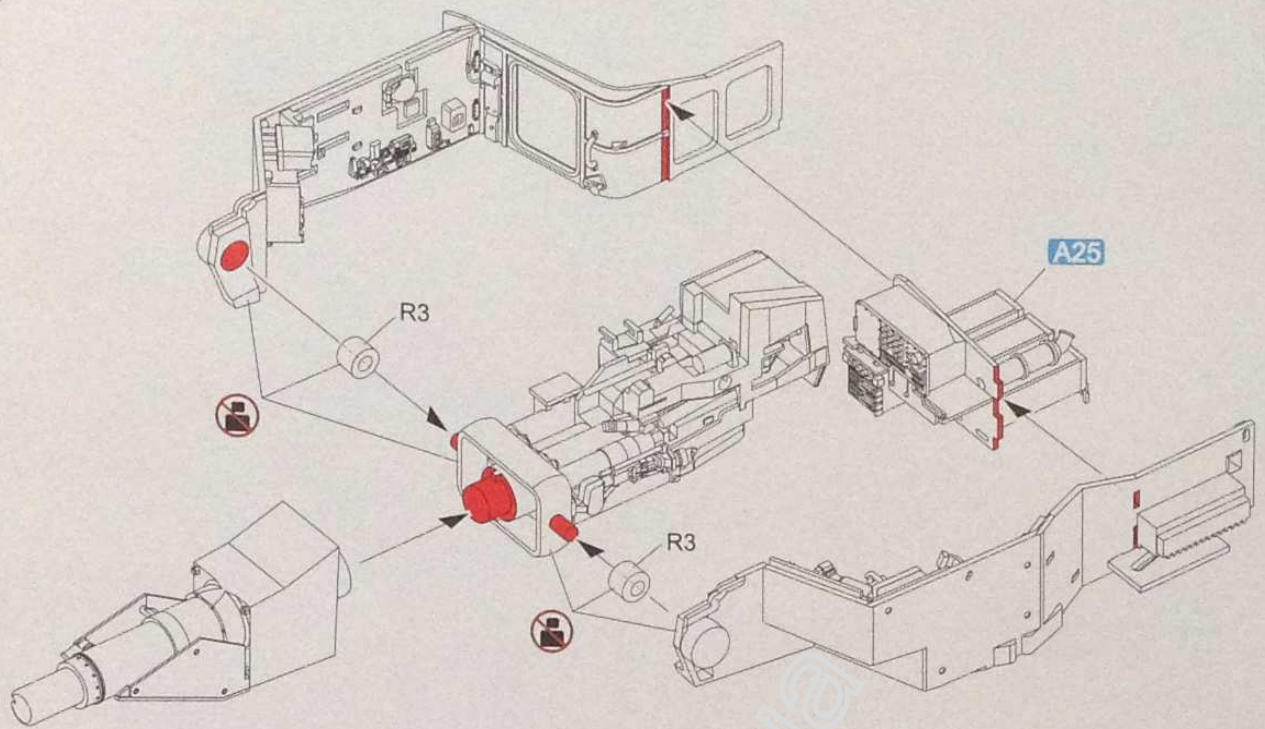
42



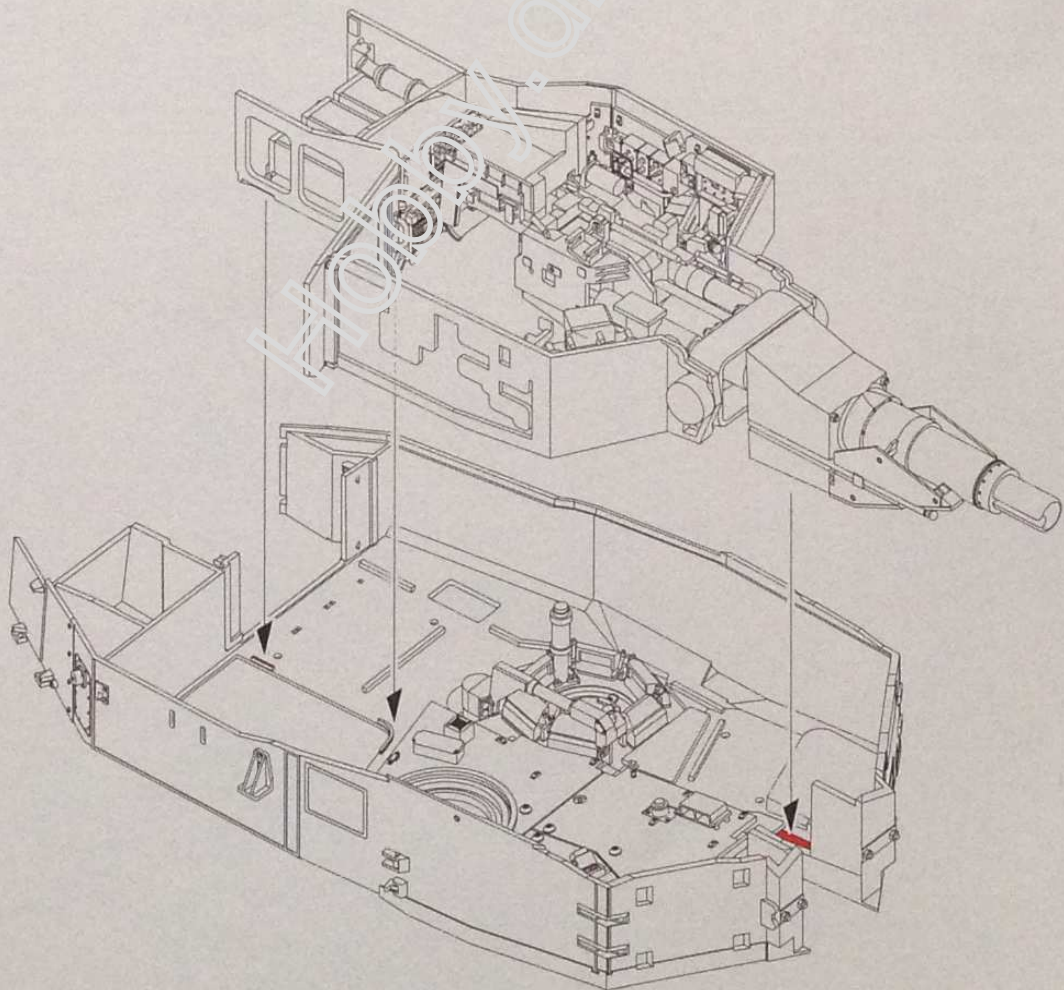
43



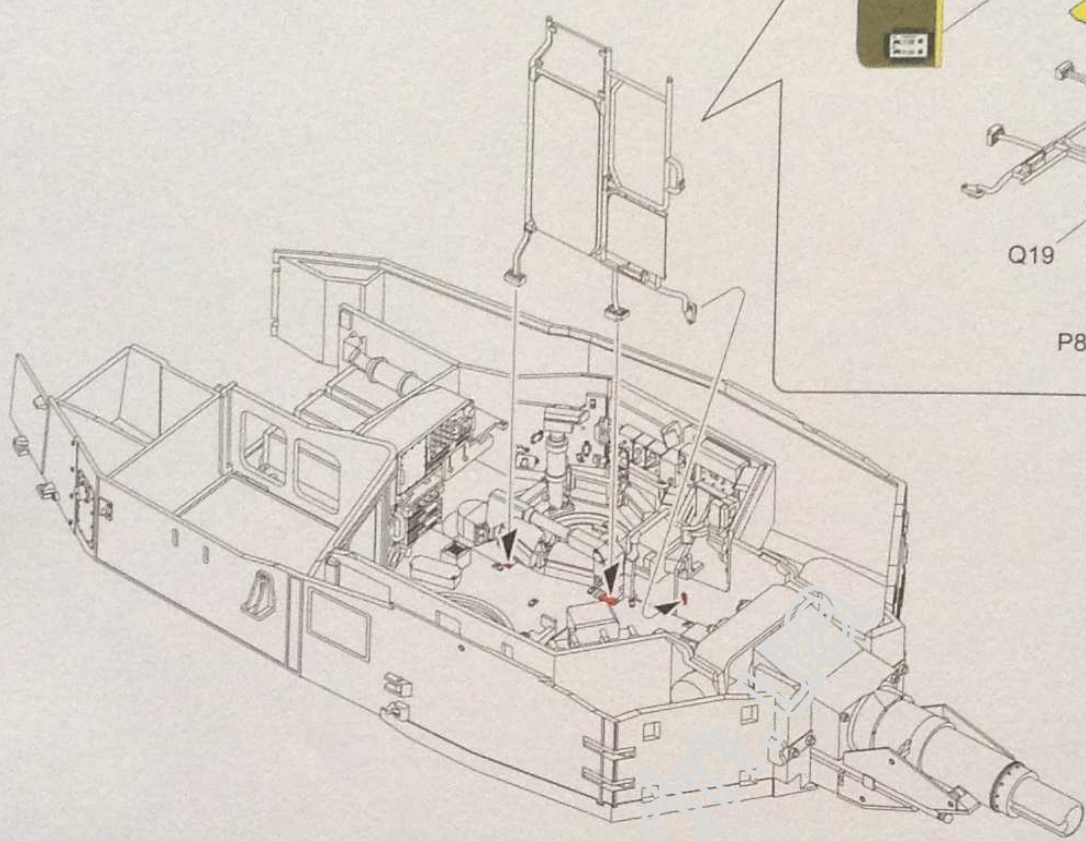
44



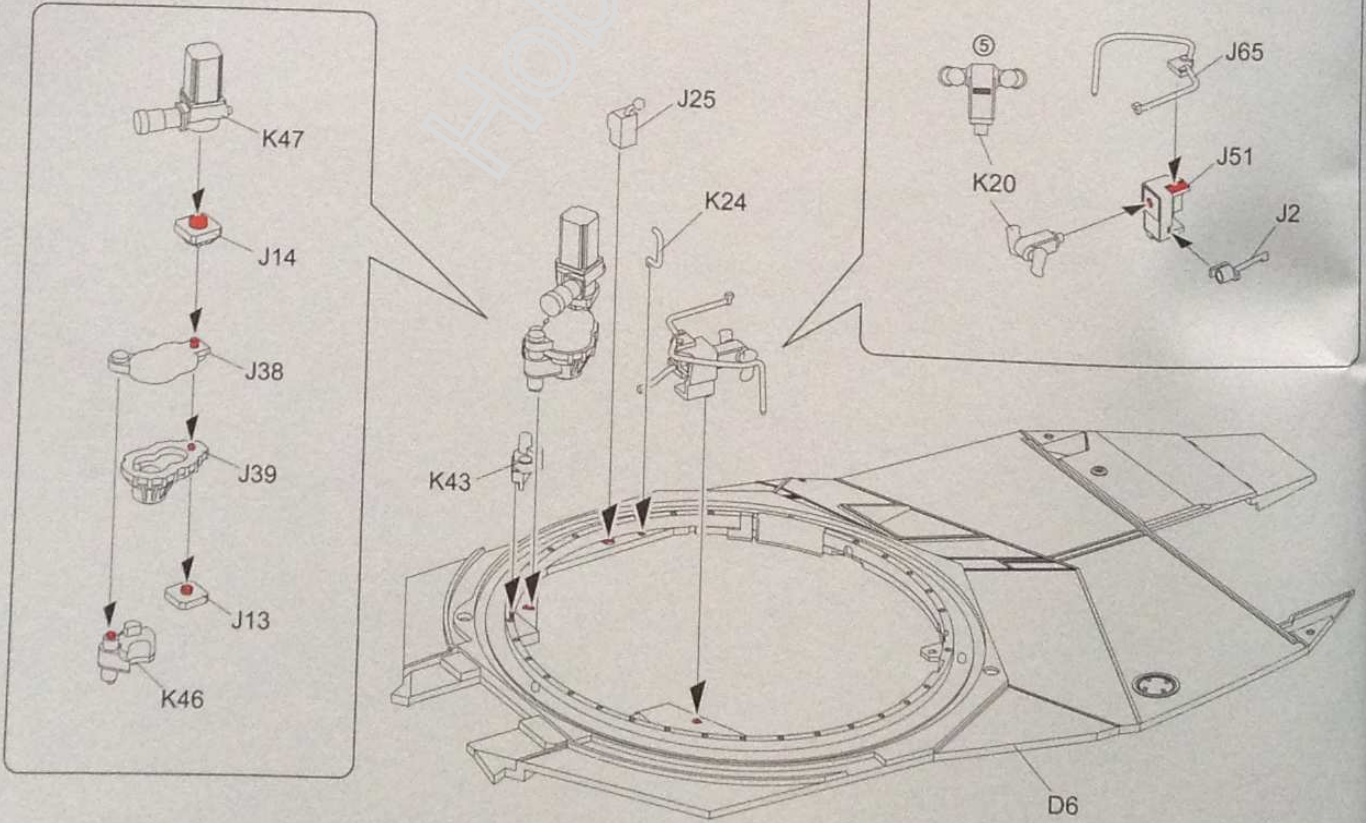
45



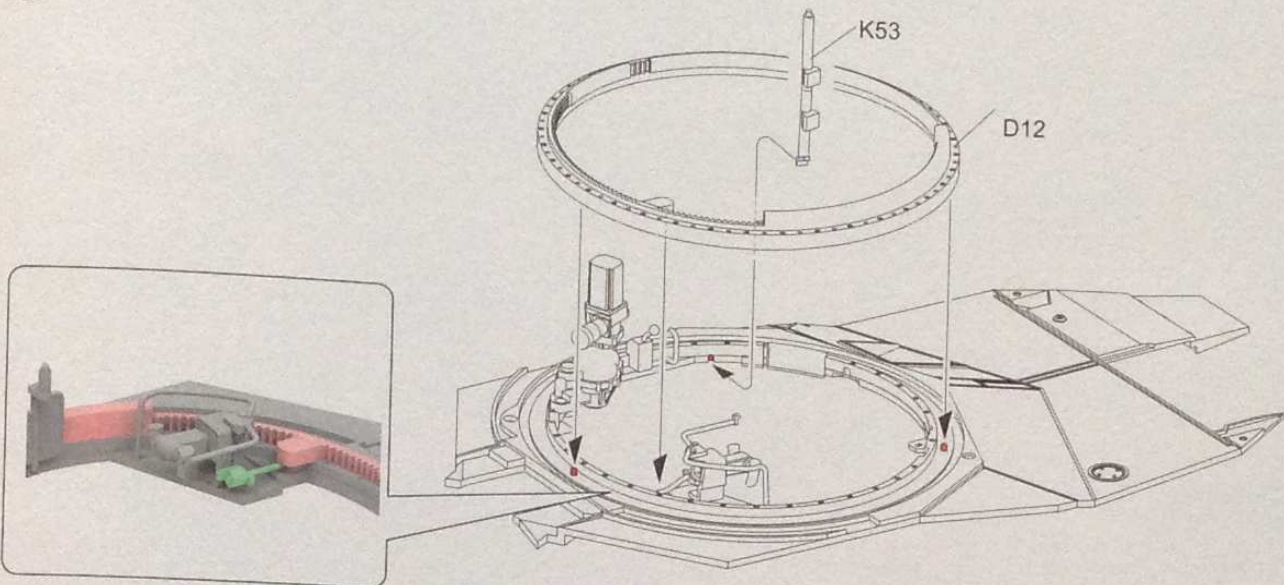
46



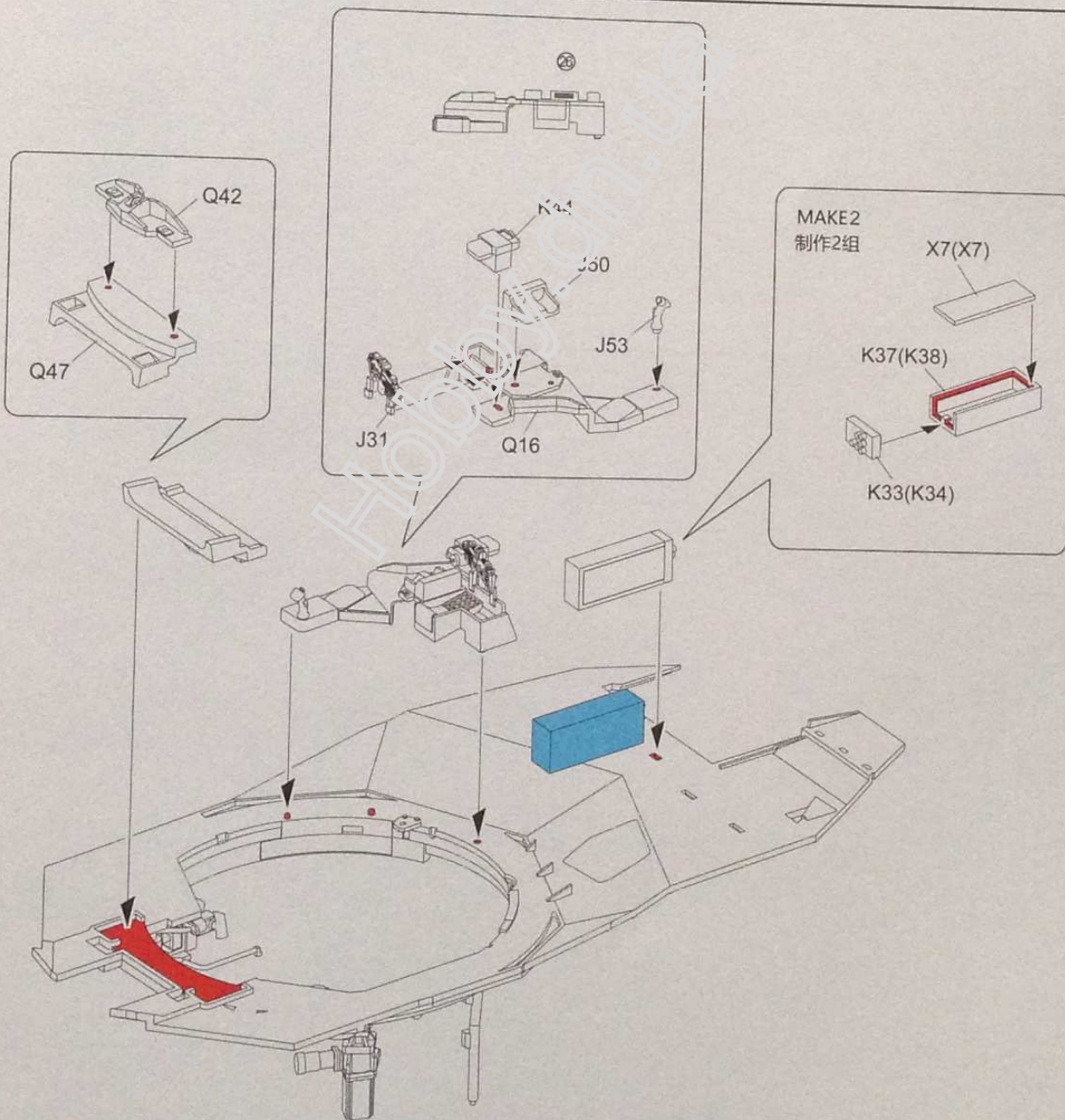
47



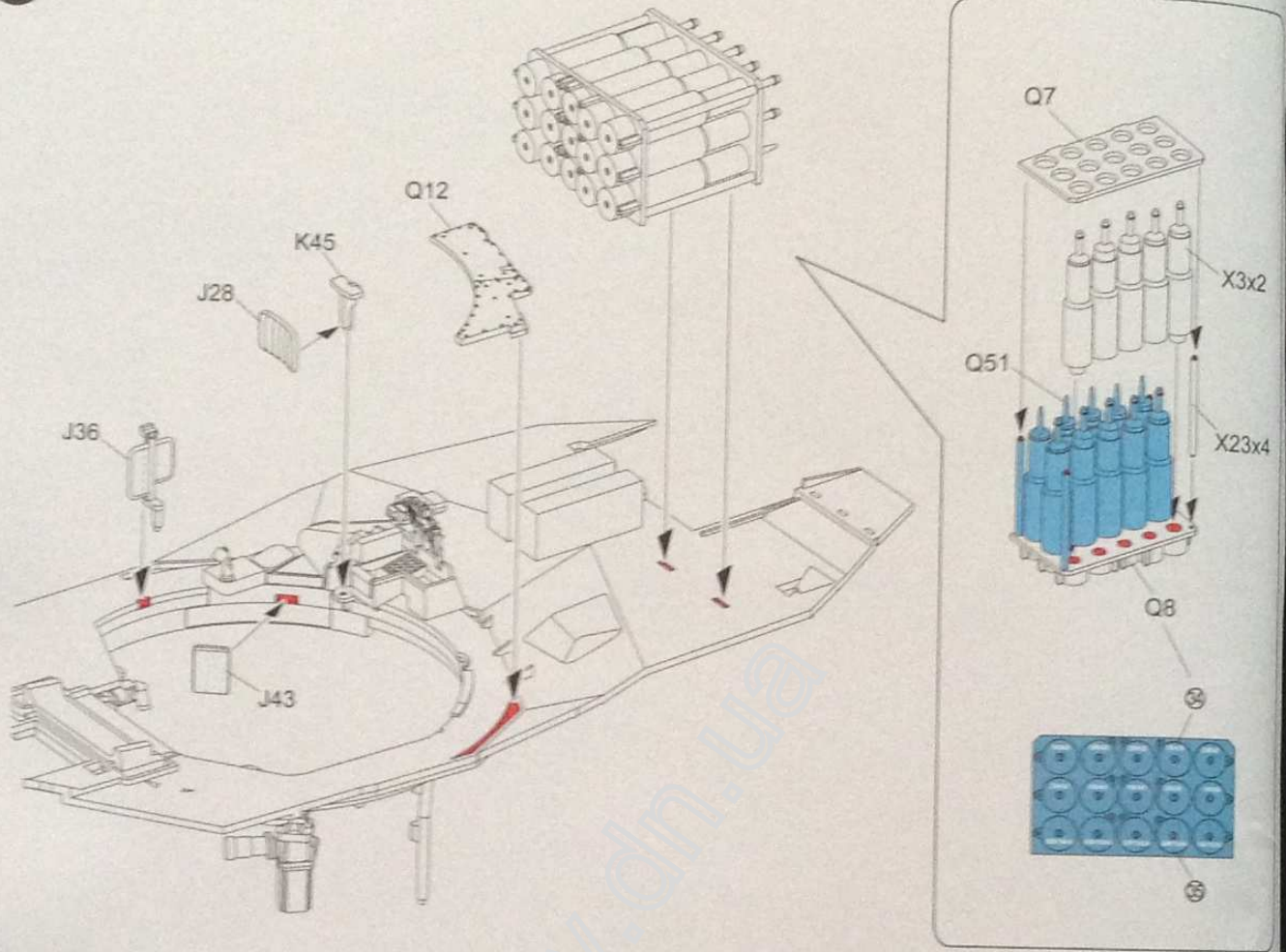
48



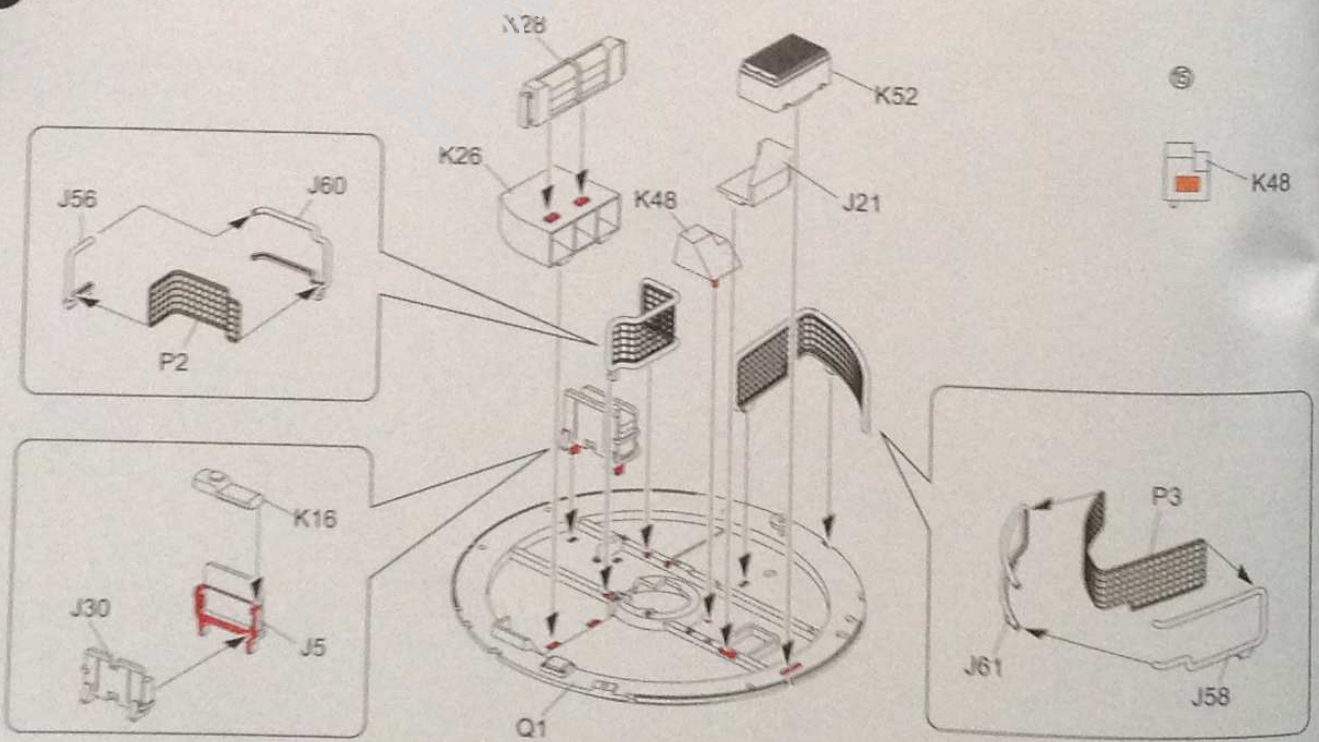
49



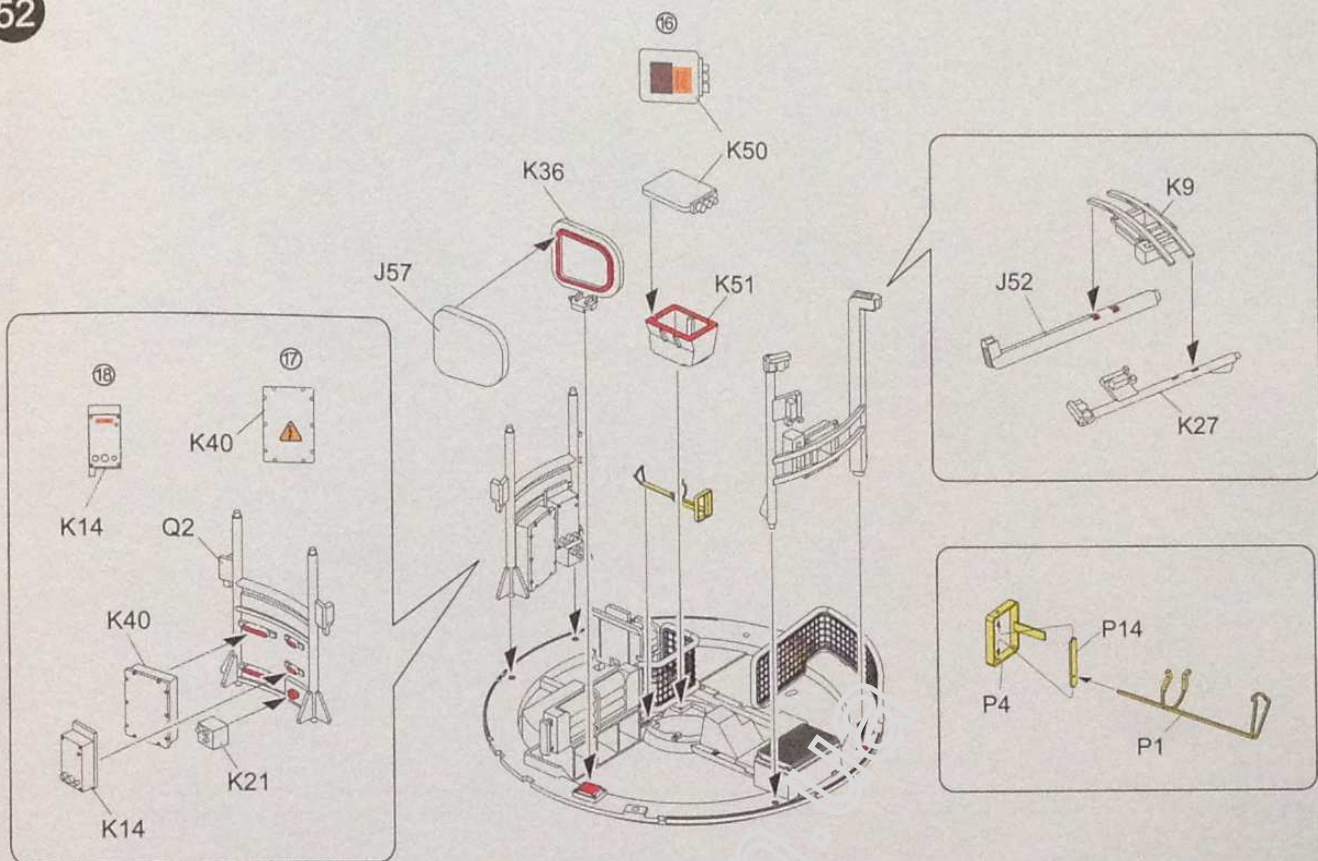
50



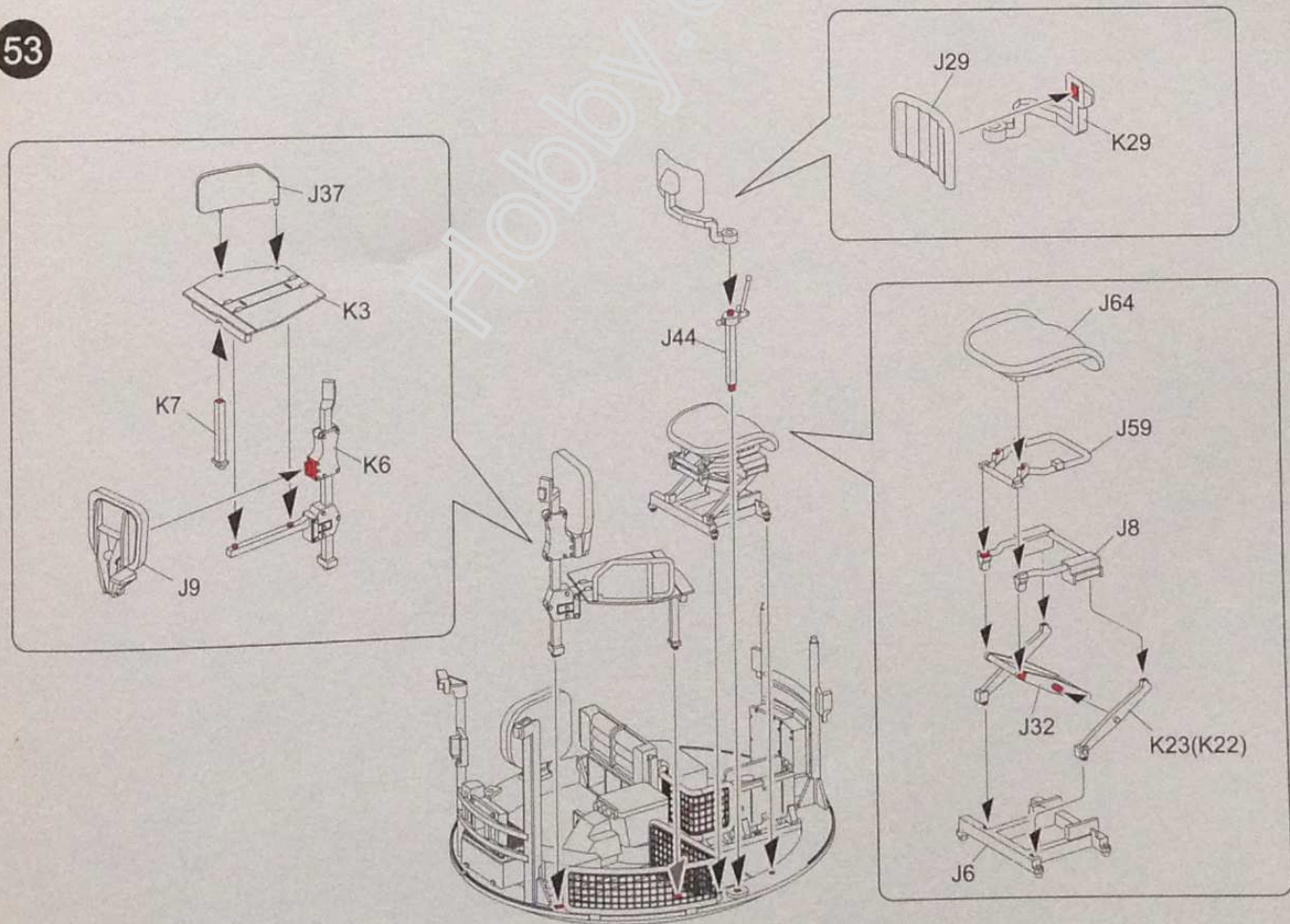
51



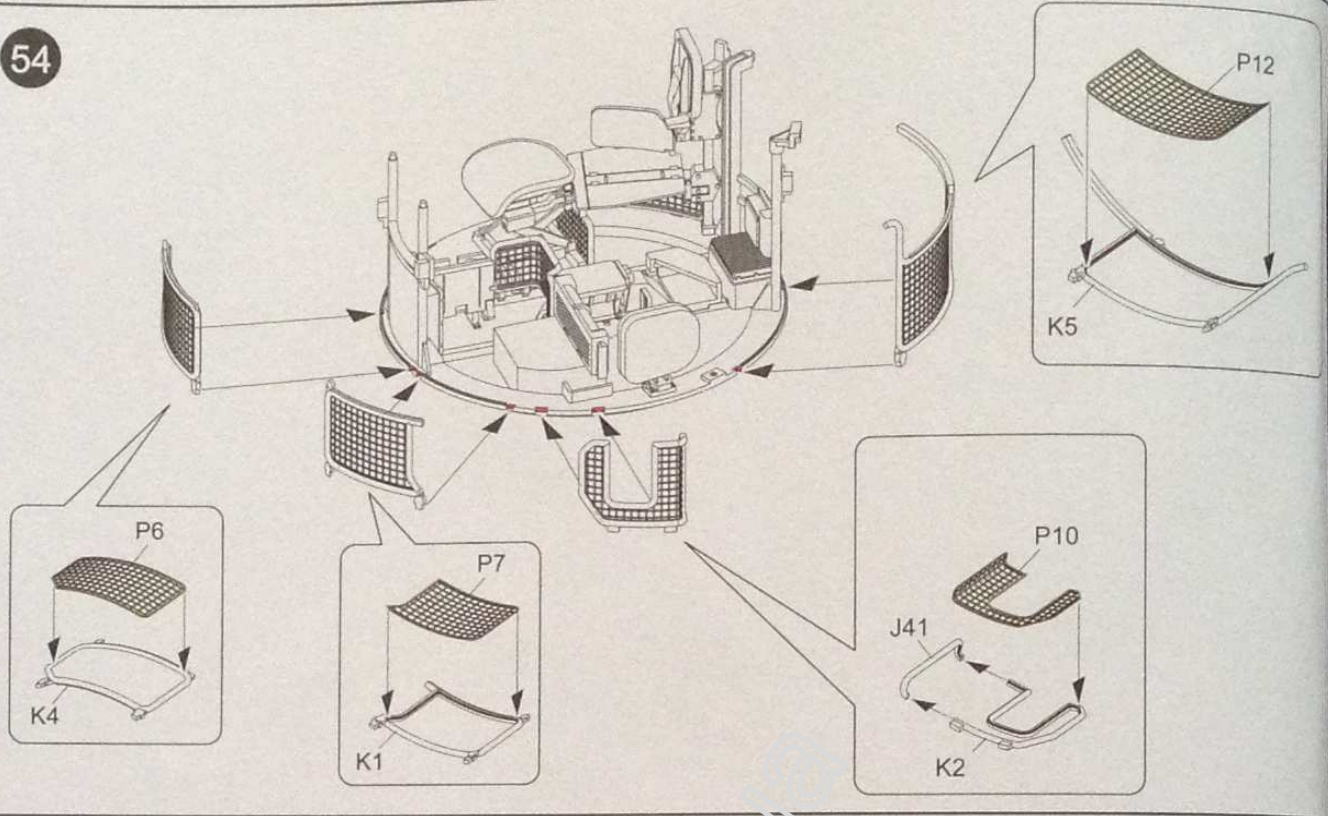
52



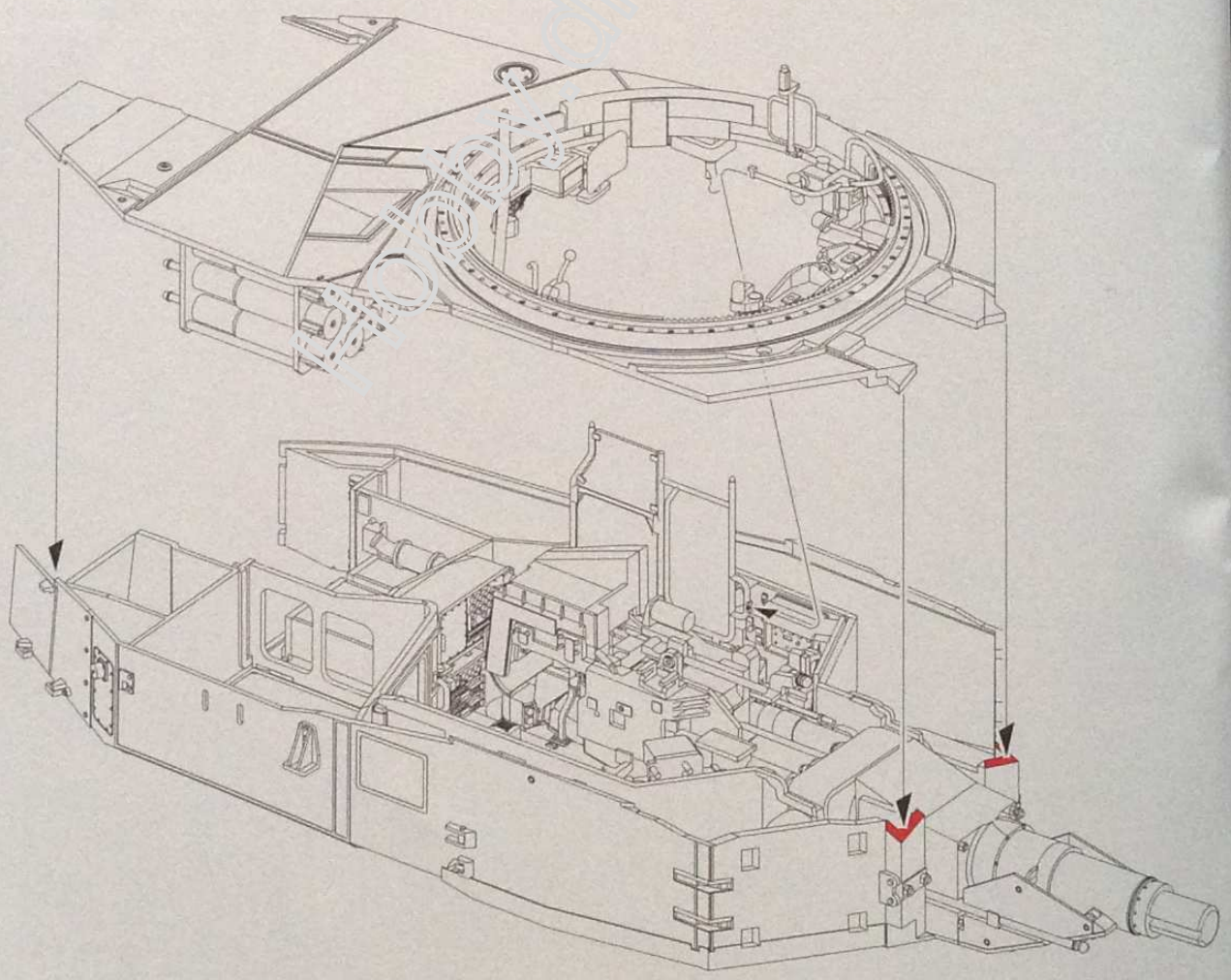
53



54



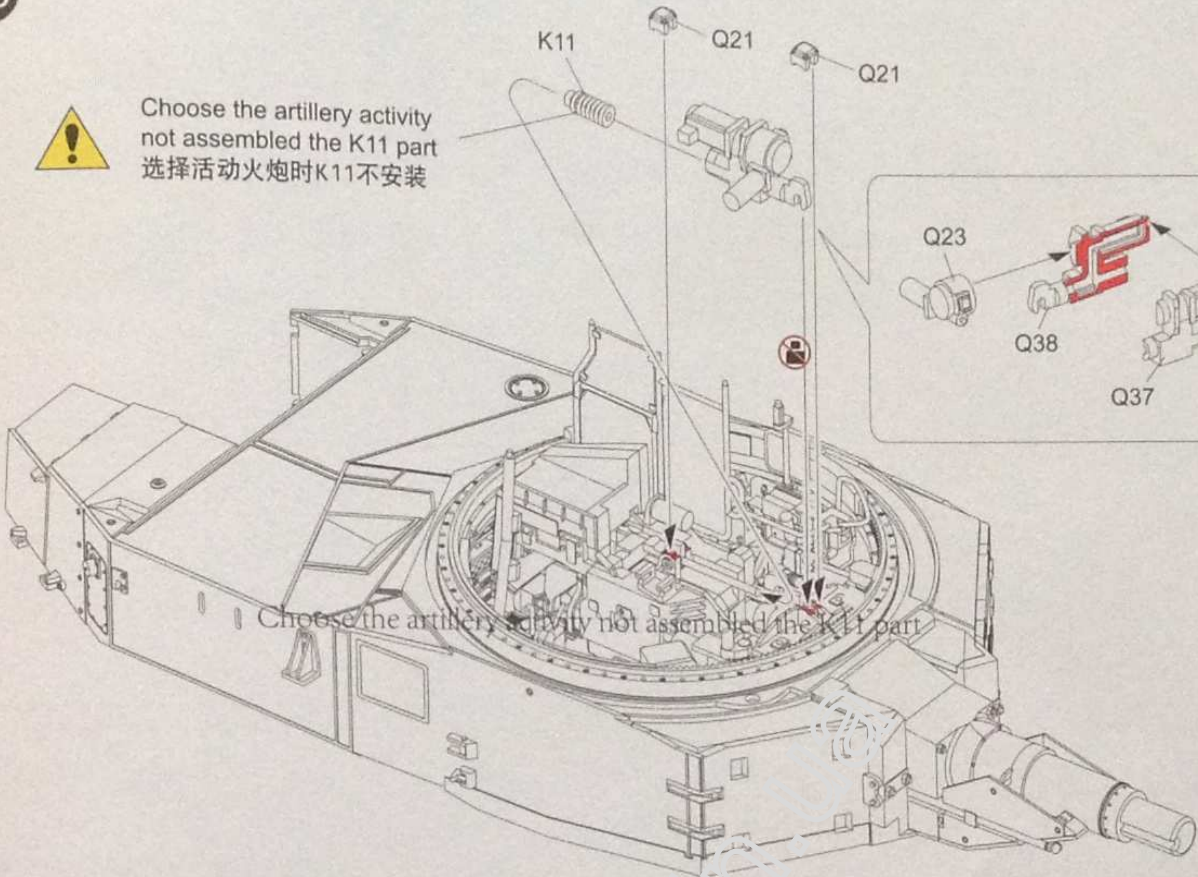
55



56

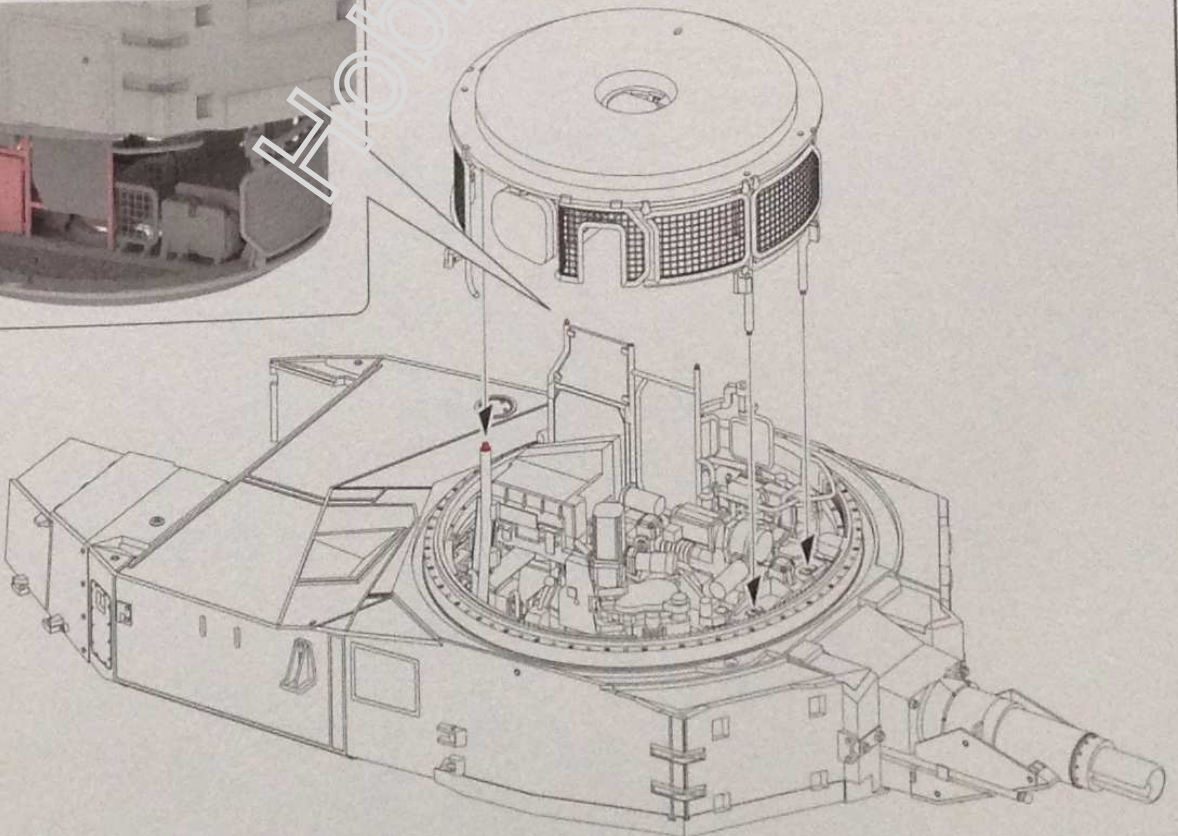
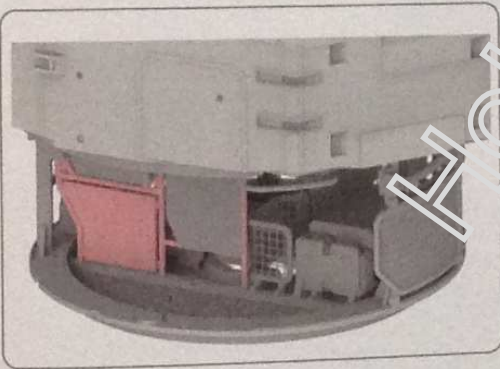


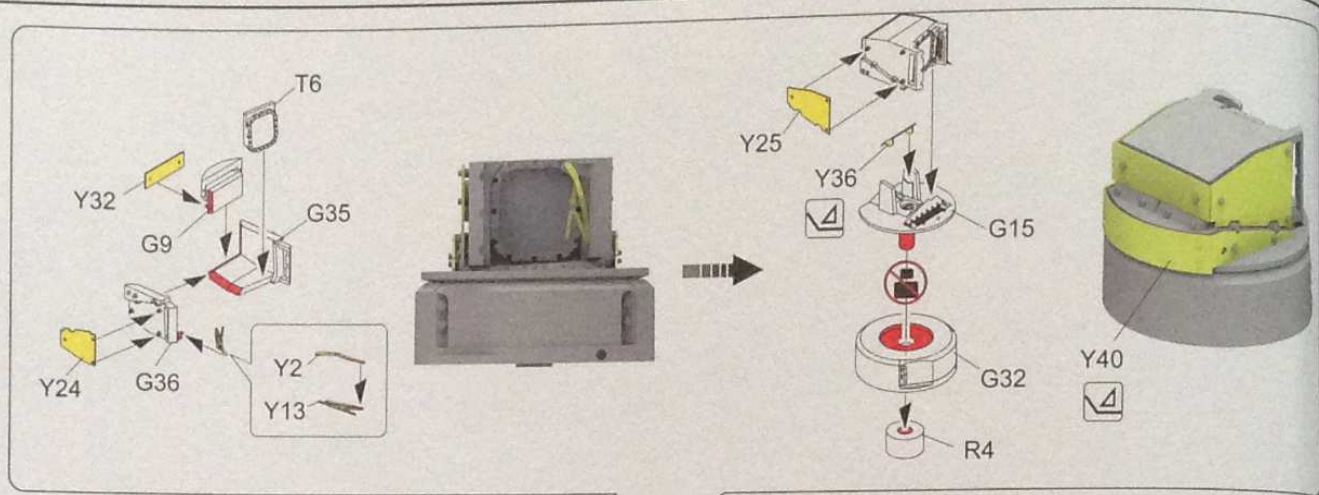
Choose the artillery activity
not assembled the K11 part
选择活动火炮时K11不安装



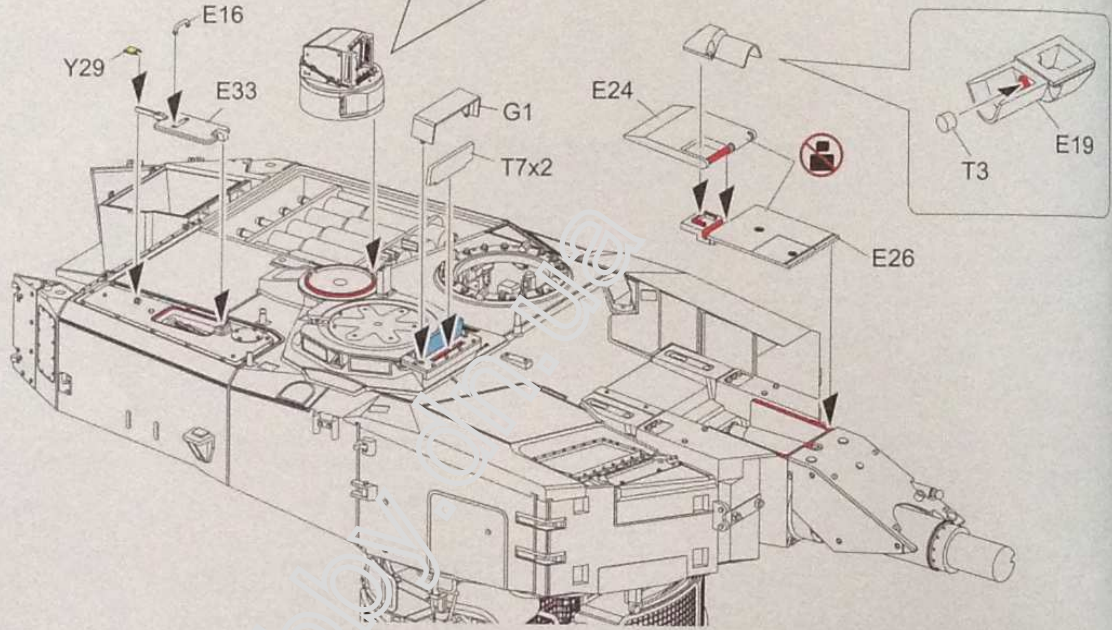
Choose the artillery activity not assembled the K11 part

57

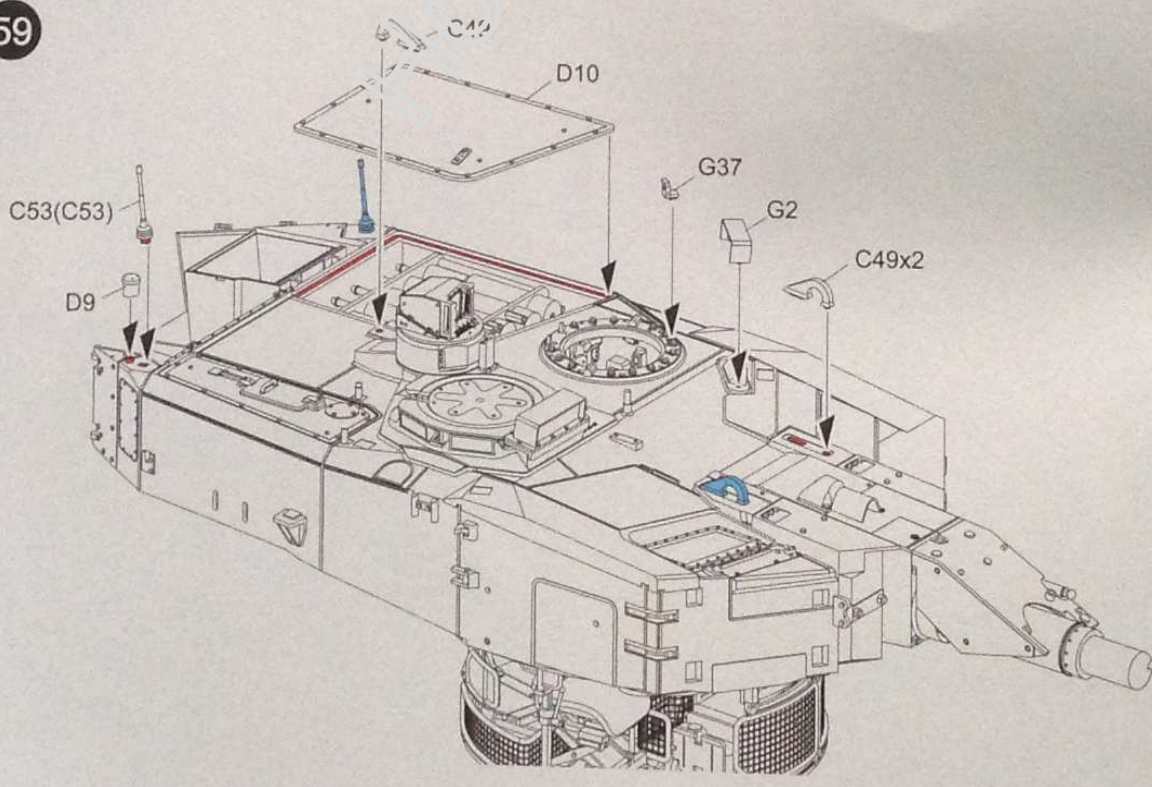




58

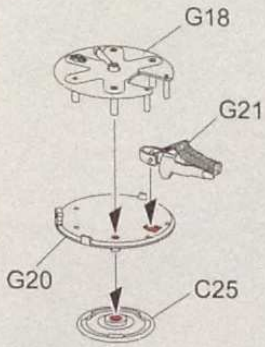


59



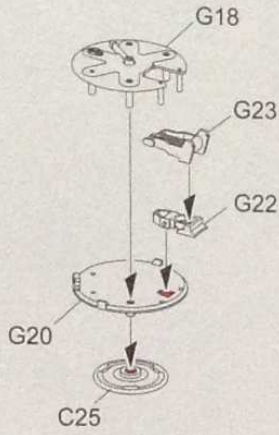
A28

Closed
关闭

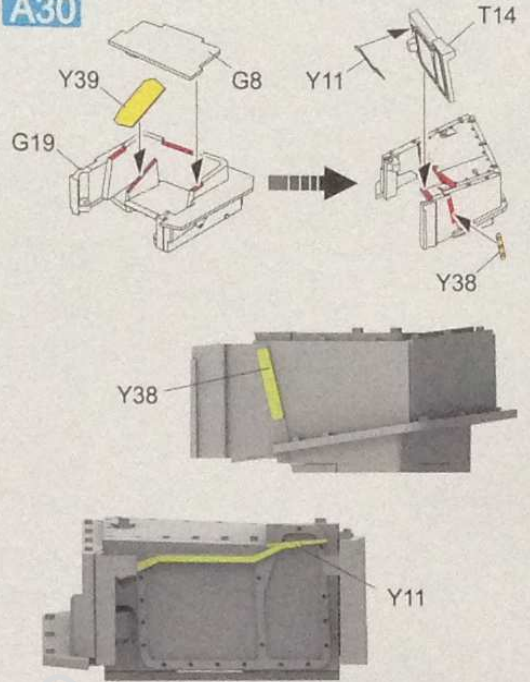


A29

Open
打开



A30



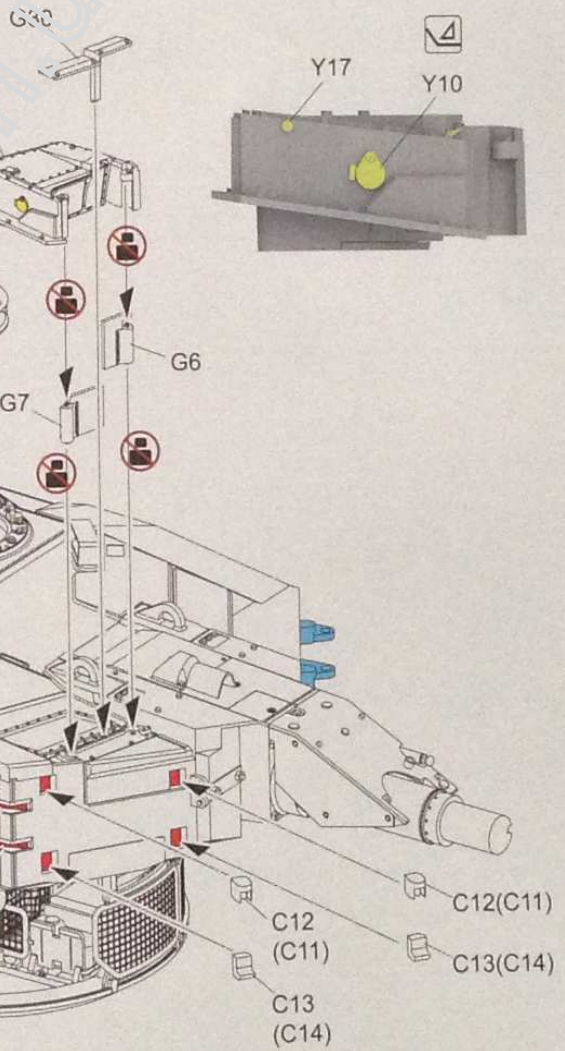
60



Open
打开
A29

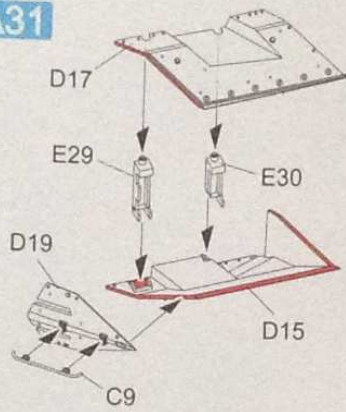


A29

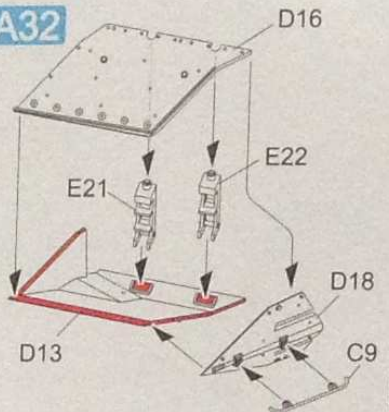


Use only for open
仅适合打开的状态

A31

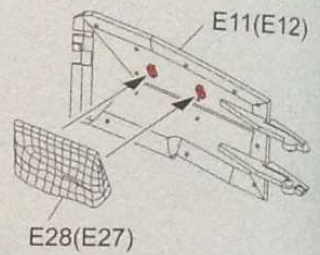


A32



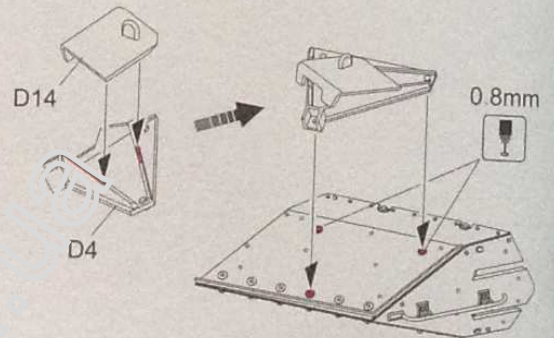
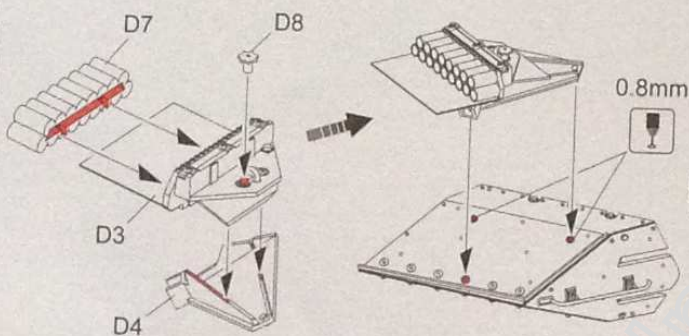
A33

MAKE2
制作2组

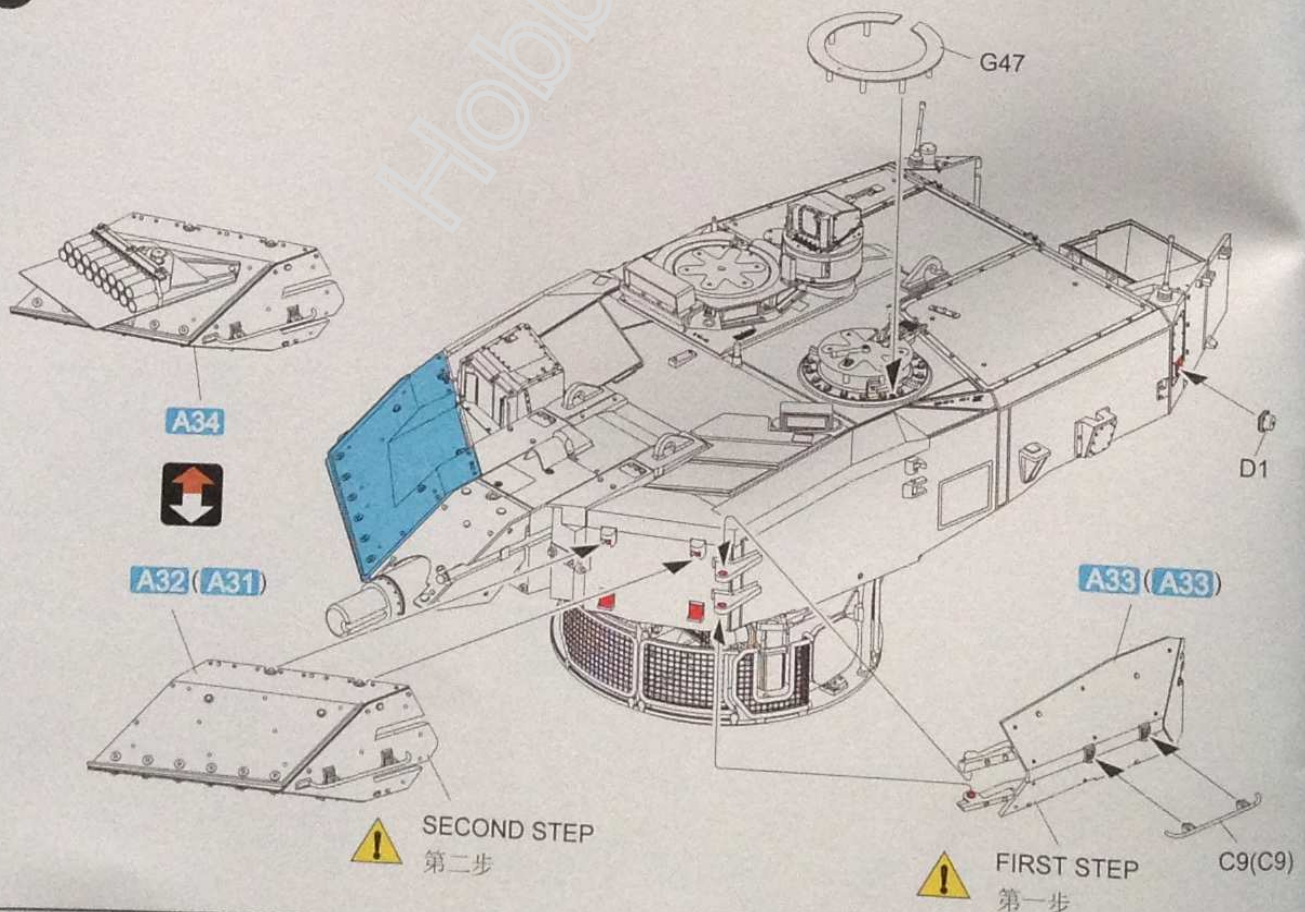


A34

Use only for exercise status
仅适用于演习状态



61



A34



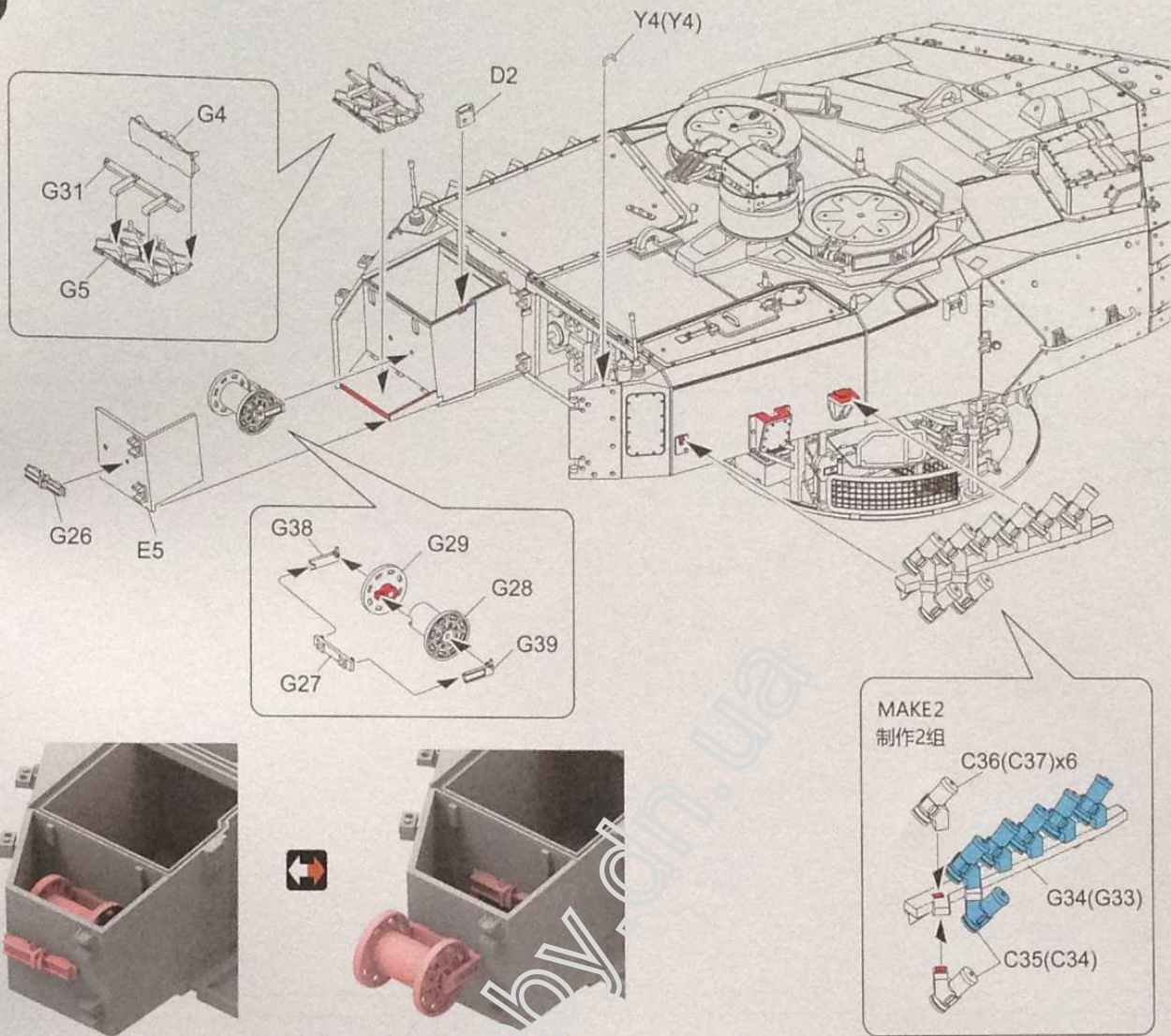
A32 (A31)

A33 (A33)

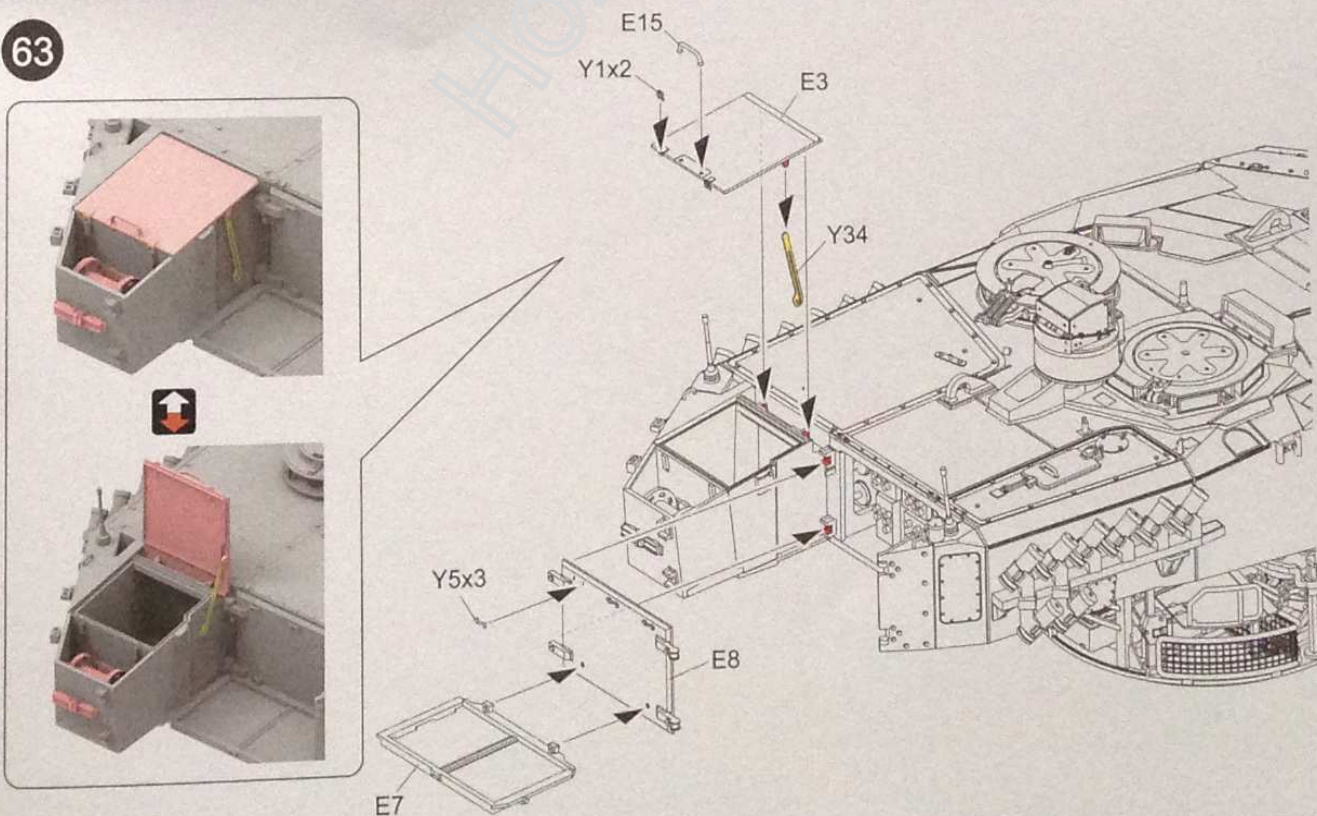
SECOND STEP
第二步

FIRST STEP
第一步

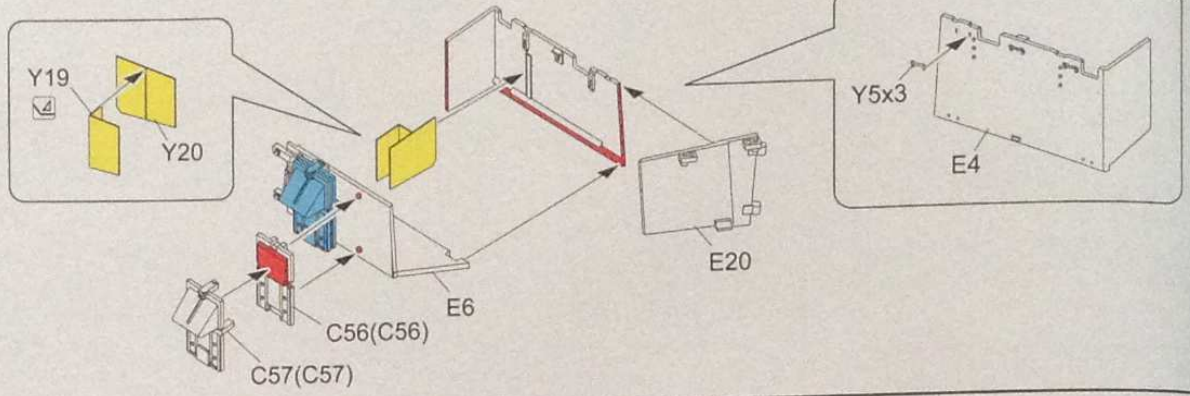
62



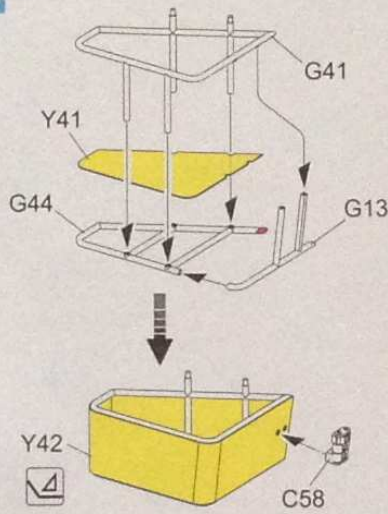
63



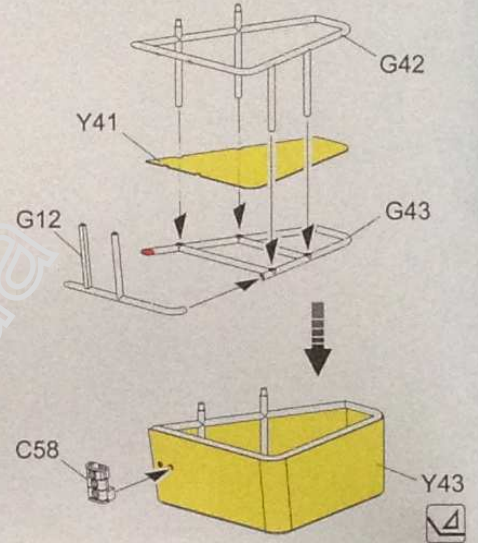
A35



A36

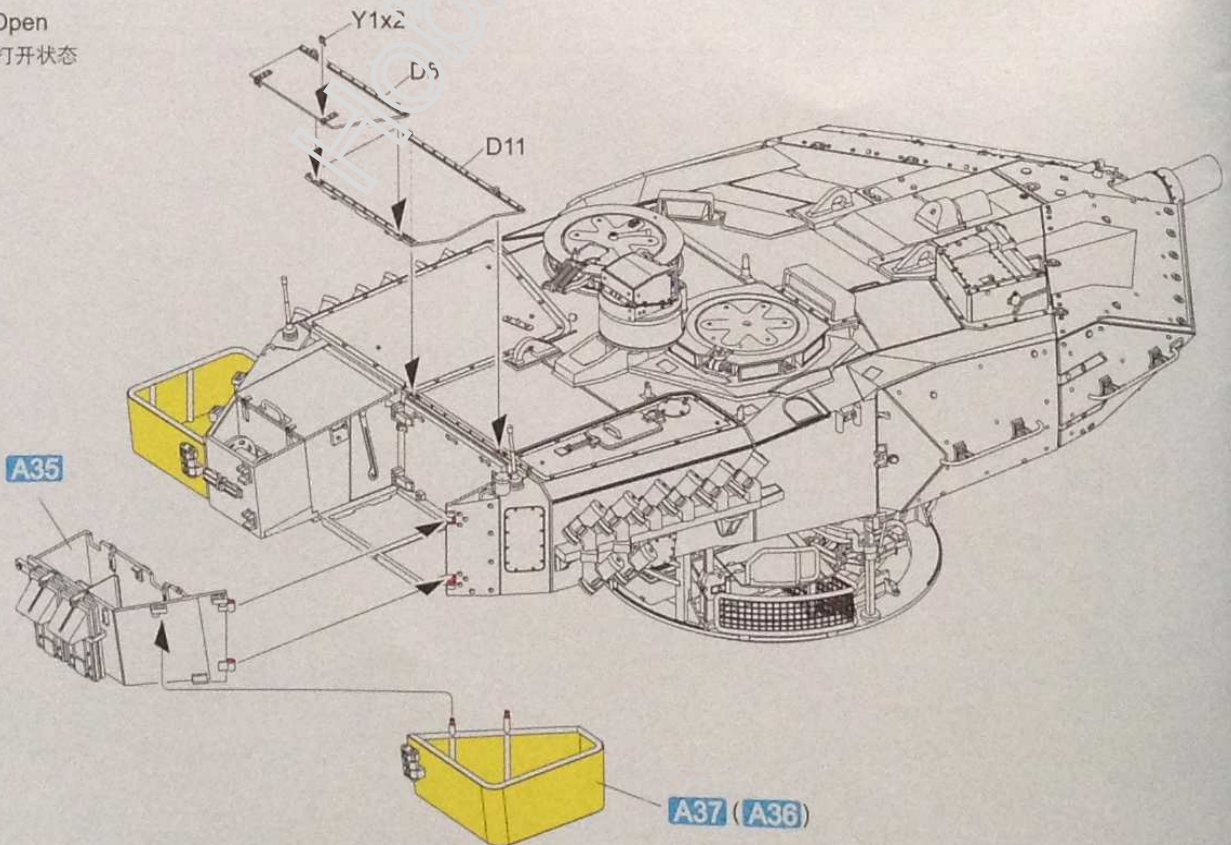


A37



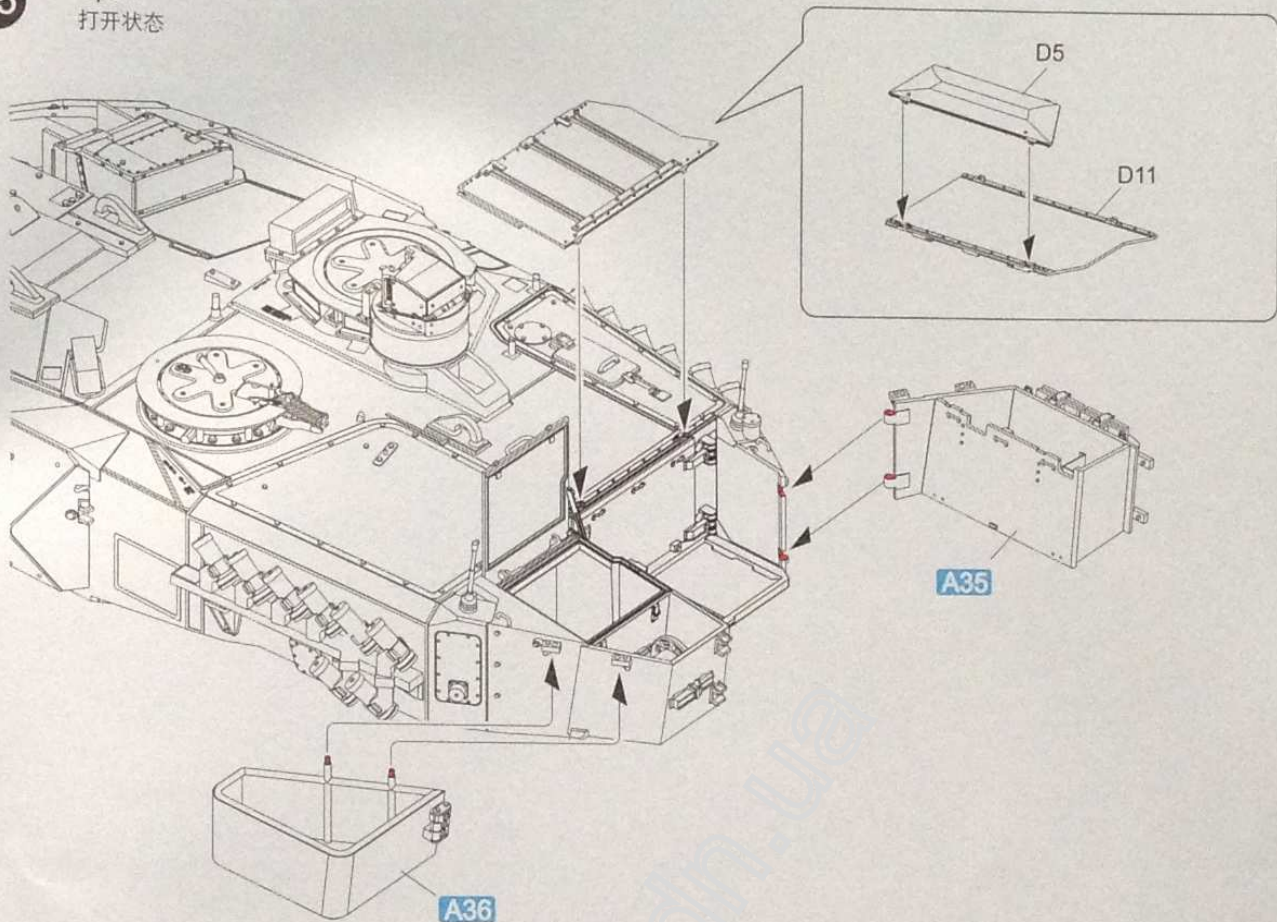
64

Open
打开状态

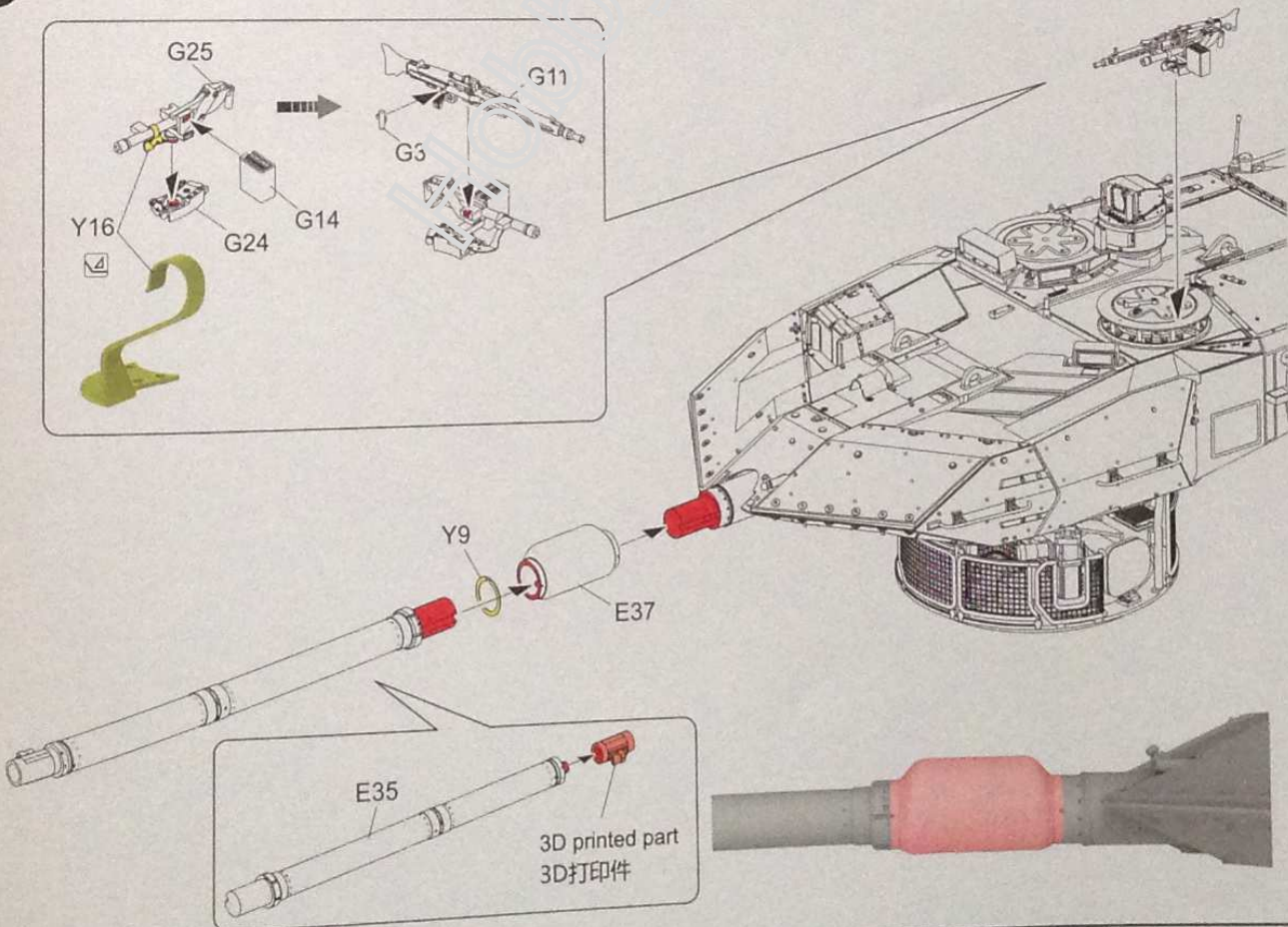


65

Open
打开状态

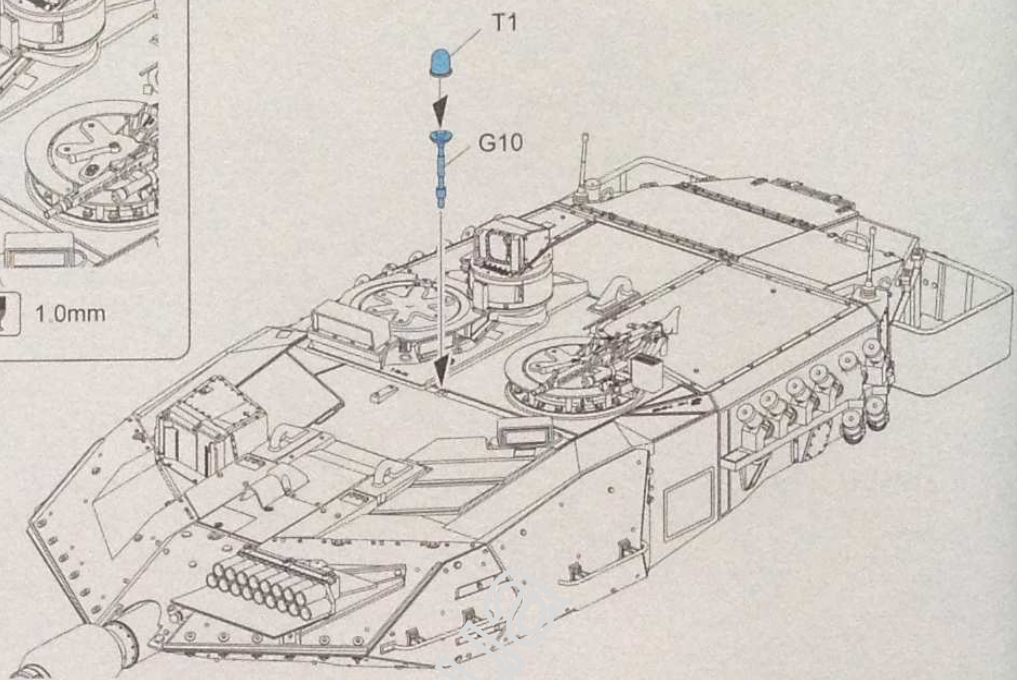
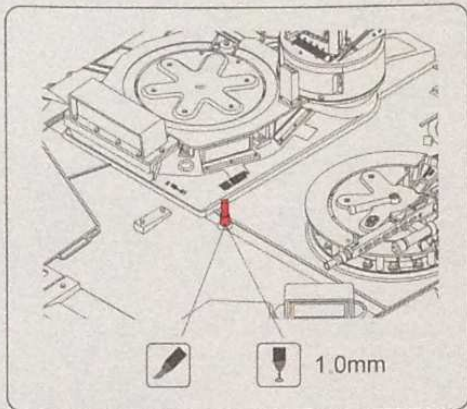


66

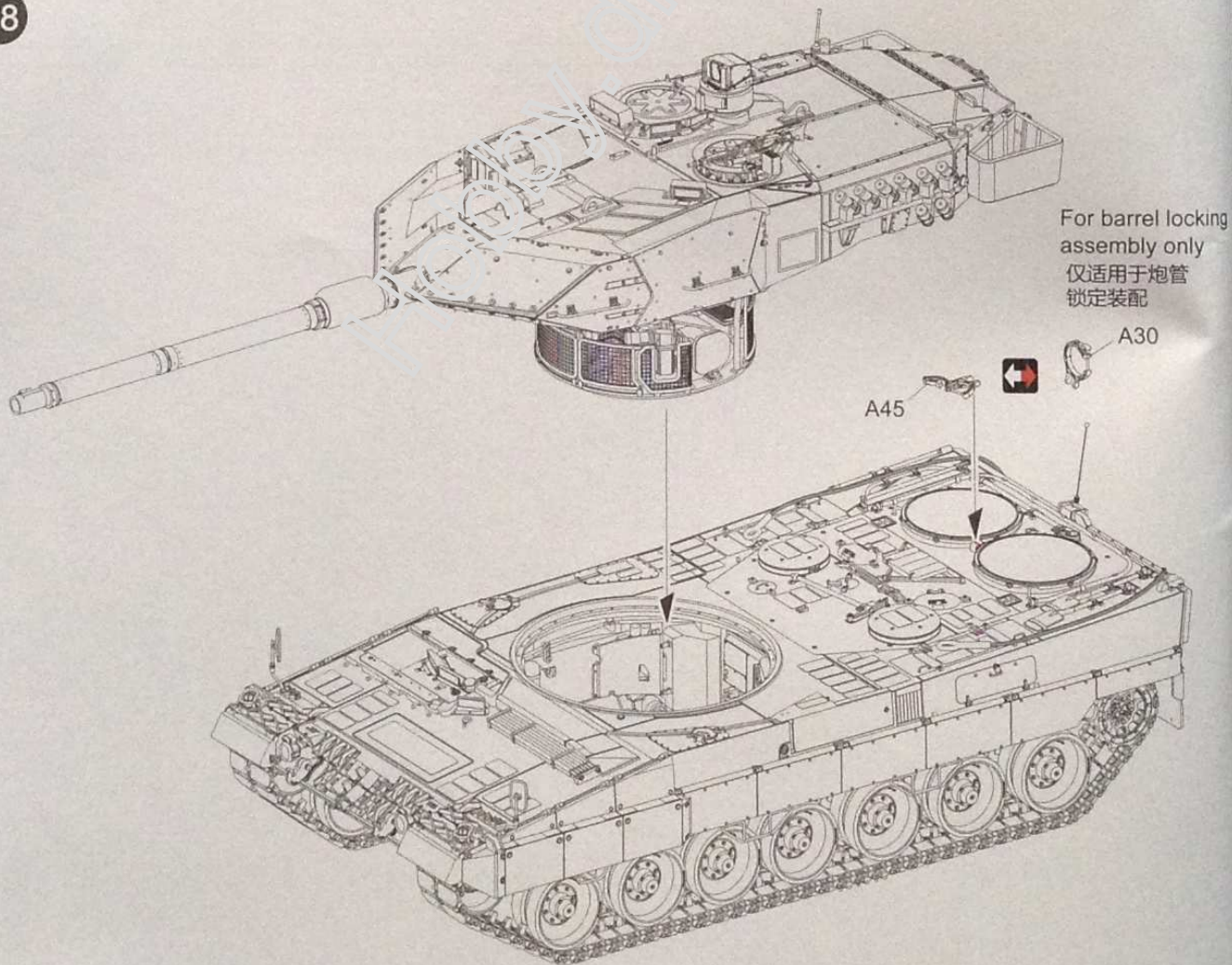


67

Use only for exercise status.
仅适用于演习状态



68



LEOPARD II A6

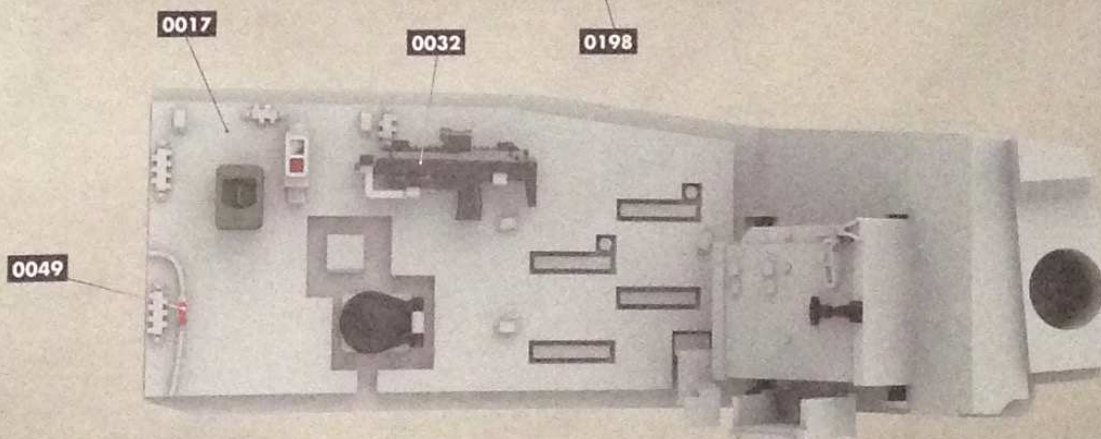
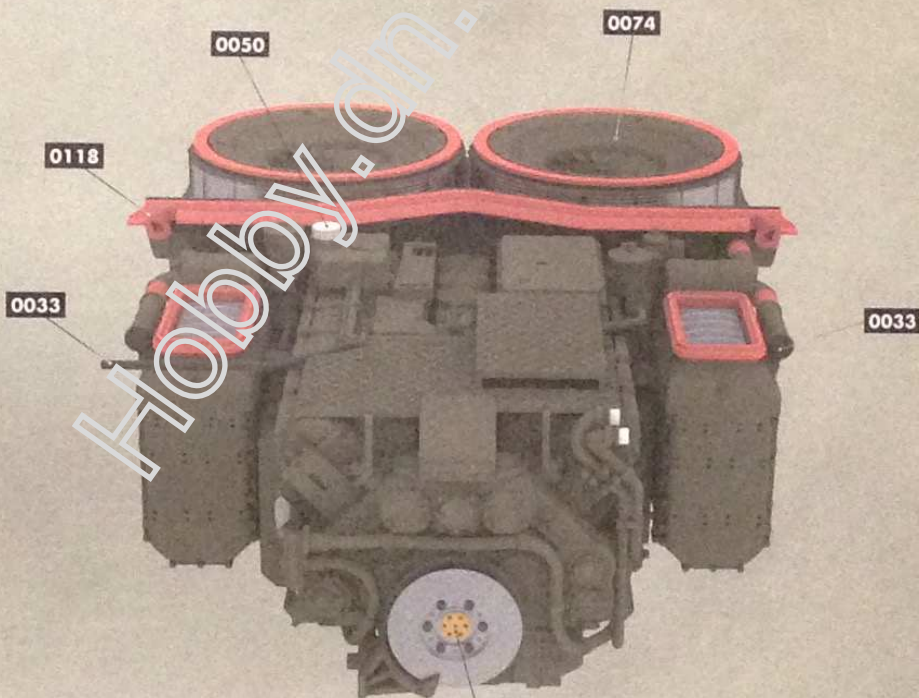
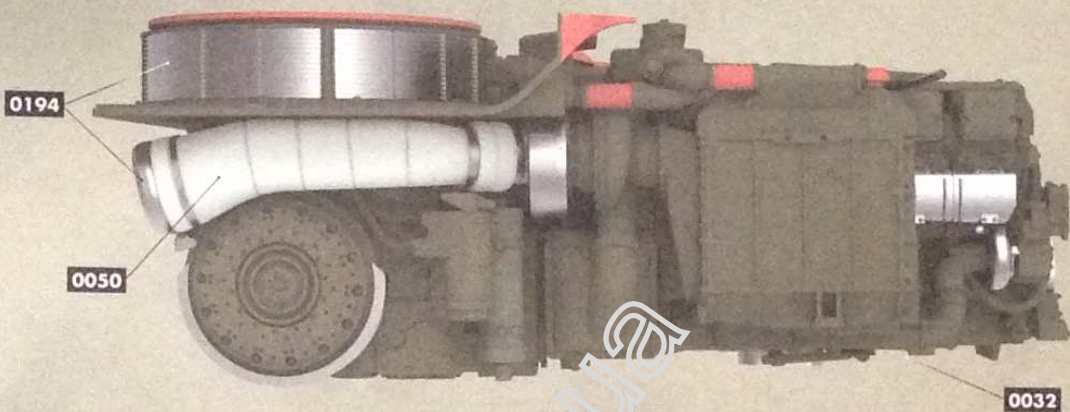
Painting and Marking Guide



by MIG Jimenez

www.ammo.es

-  A.MIG-0017 Rail 9001
-  A.MIG-0032 Satin Black
-  A.MIG-0033 Rubber & Tire
-  A.MIG-0049 Red
-  A.MIG-0050 Matt White
-  A.MIG-0074 Osen Moss
-  A.MIG-0118 Burr sand
-  A.MIG-0194 Aluminum
-  A.MIG-0198 Gold





LEOPARD II A6

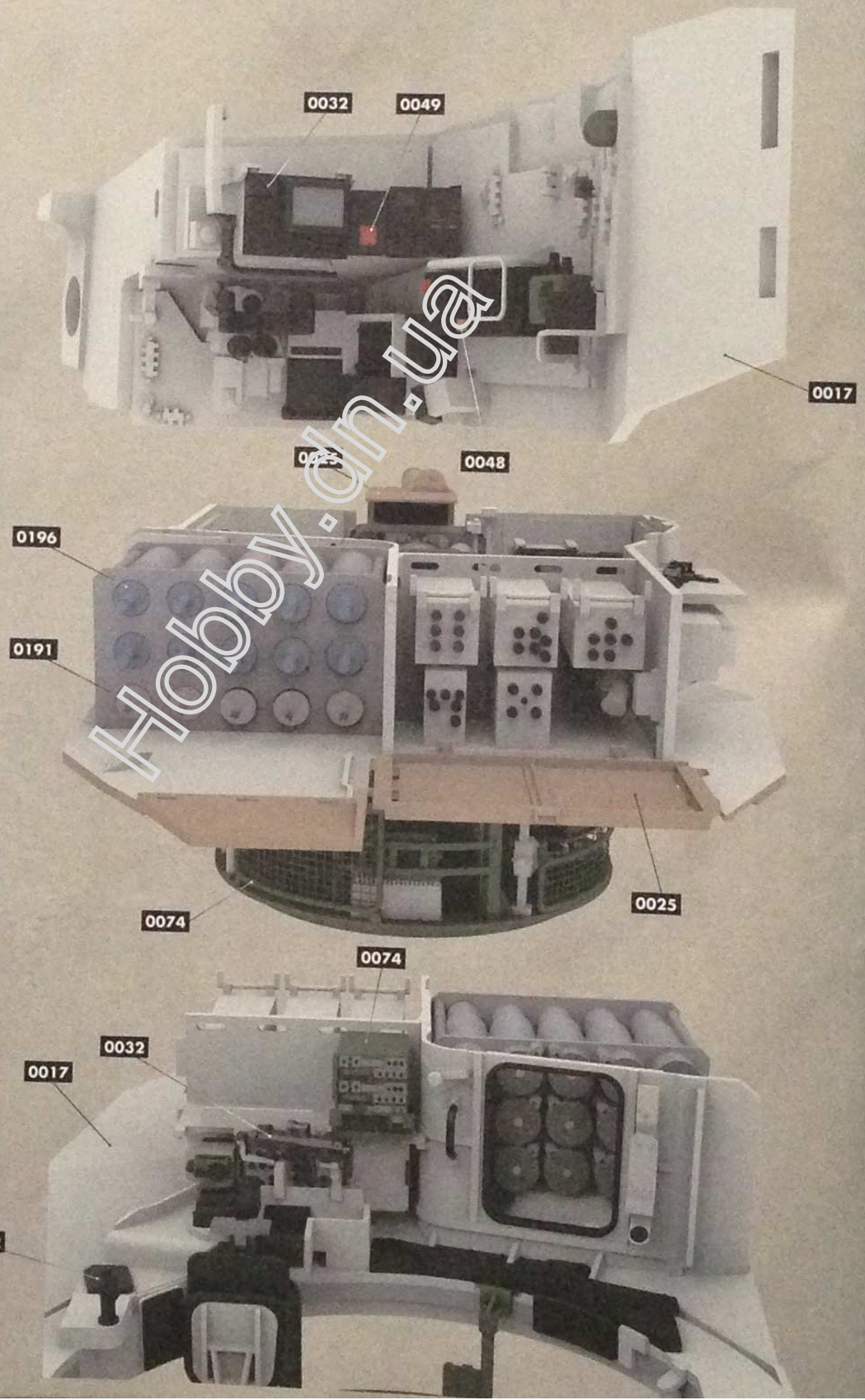
Painting and Marking Guide



by MIG Jimenez

www.ammo.es

- AMIG-0017 Ral 8001
- AMIG-0025 FS 33446
- AMIG-0032 Satin Black
- AMIG-0048 Yellow
- AMIG-0049 Red
- AMIG-0074 Green Moss
- AMIG-0191 Steel
- AMIG-0196 Metallic Blue



Hobby.dn.ua

LEOPARD II A6

Painting and Marking Guide



by MIG Jimenez

www.ammo.es

AMIG-0017 Ral 9001

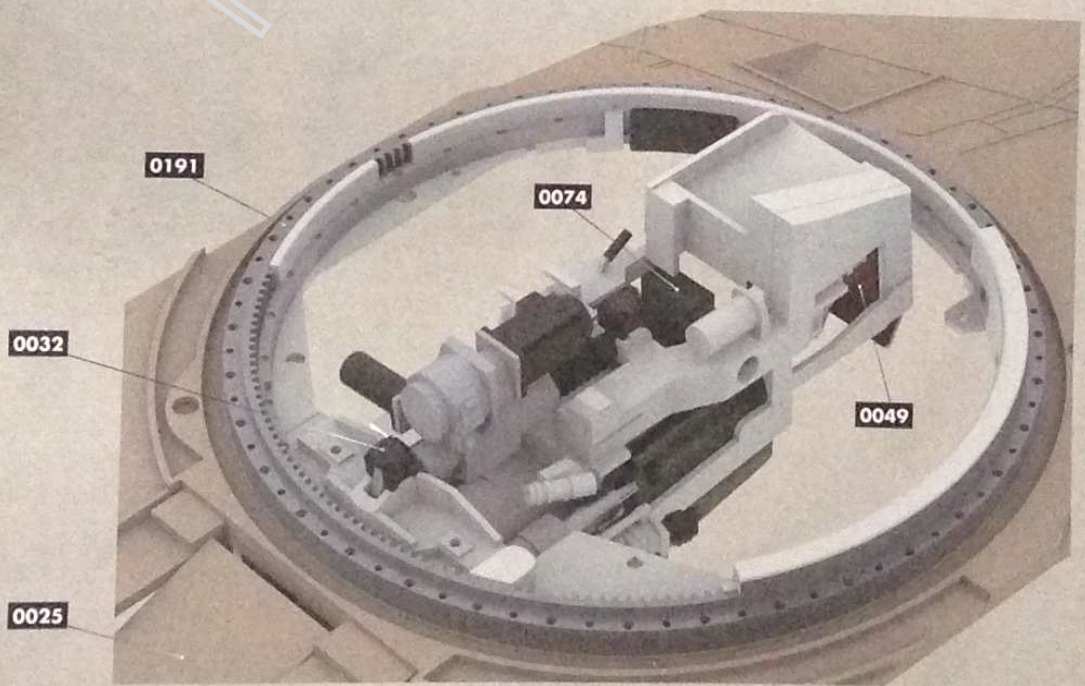
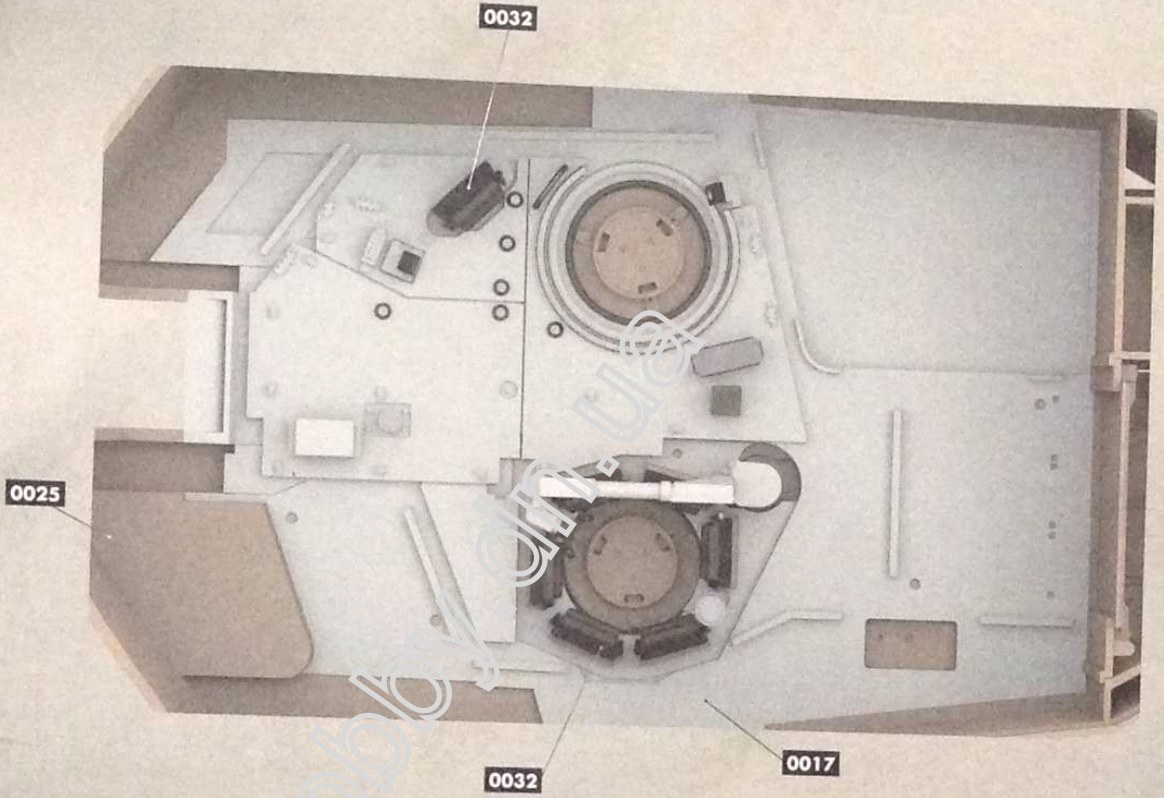
AMIG-0025 FS 33446

AMIG-0032 Satin Black

AMIG-0049 Red

AMIG-0074 Green Moss

AMIG-0191 Steel



Hobby

LEOPARD II A6

Painting and Marking Guide



by MIG Jimenez

www.ammo.es

AMIG-0017 Flat 9001

AMIG-0032 Satin Black

AMIG-0074 Green Matt

AMIG-0046 Matt Black



LEOPARD II A6

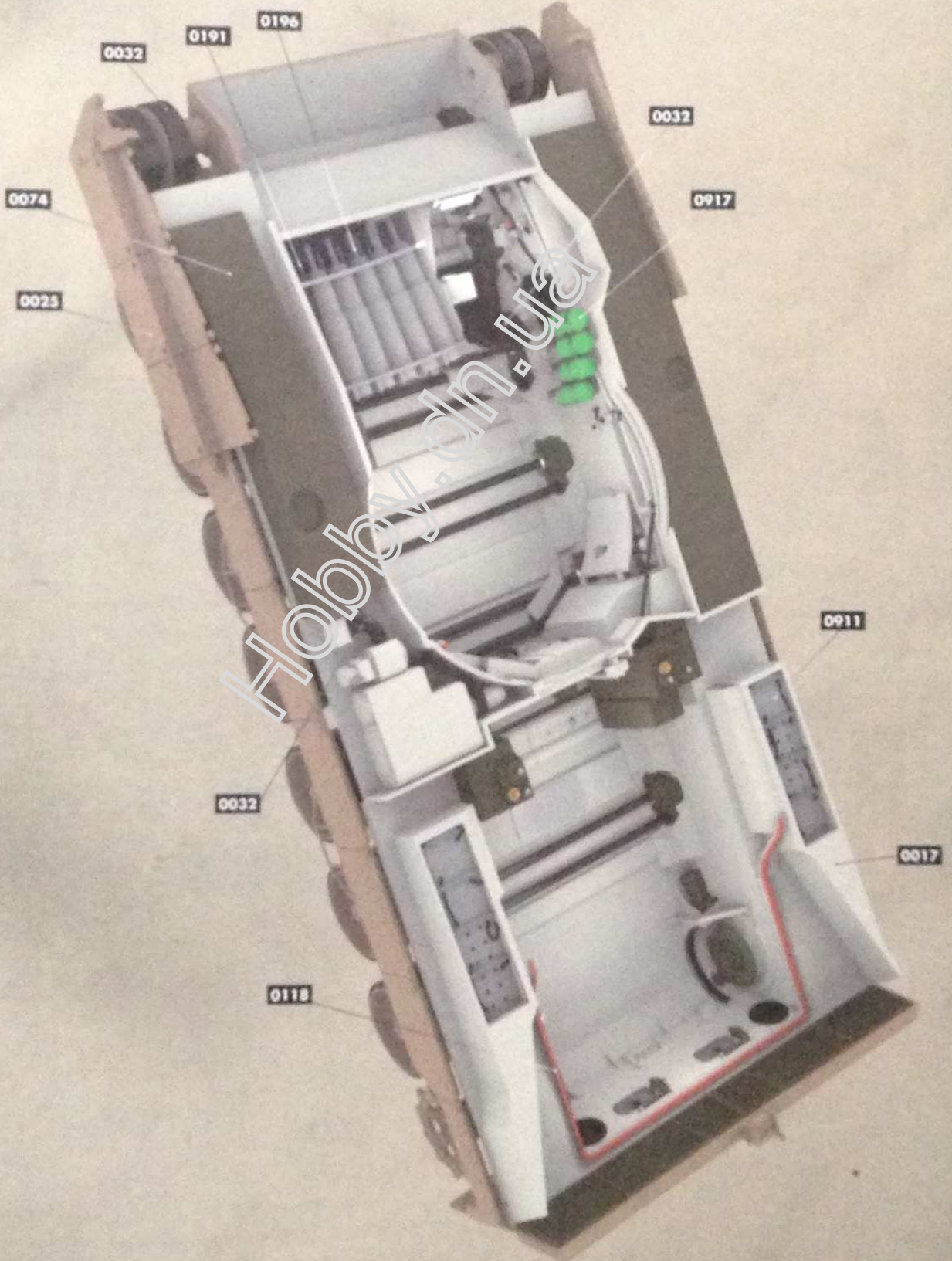
Painting and Marking Guide



by MIG Jimenez

www.ammo.es

- | | | | |
|-----------------------|----------------------|-------------------------|----------------------|
| AMMO-0017 Flat White | AMMO-0025 Flat Brown | AMMO-0002 Matt Black | AMMO-0024 Green Matt |
| AMMO-013 Matt Red | AMMO-0181 Grey | AMMO-0190 Metallic Blue | AMMO-0011 Light Blue |
| AMMO-0017 Light Green | | | |



Hobby.com.ua



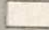









LEOPARD II A6

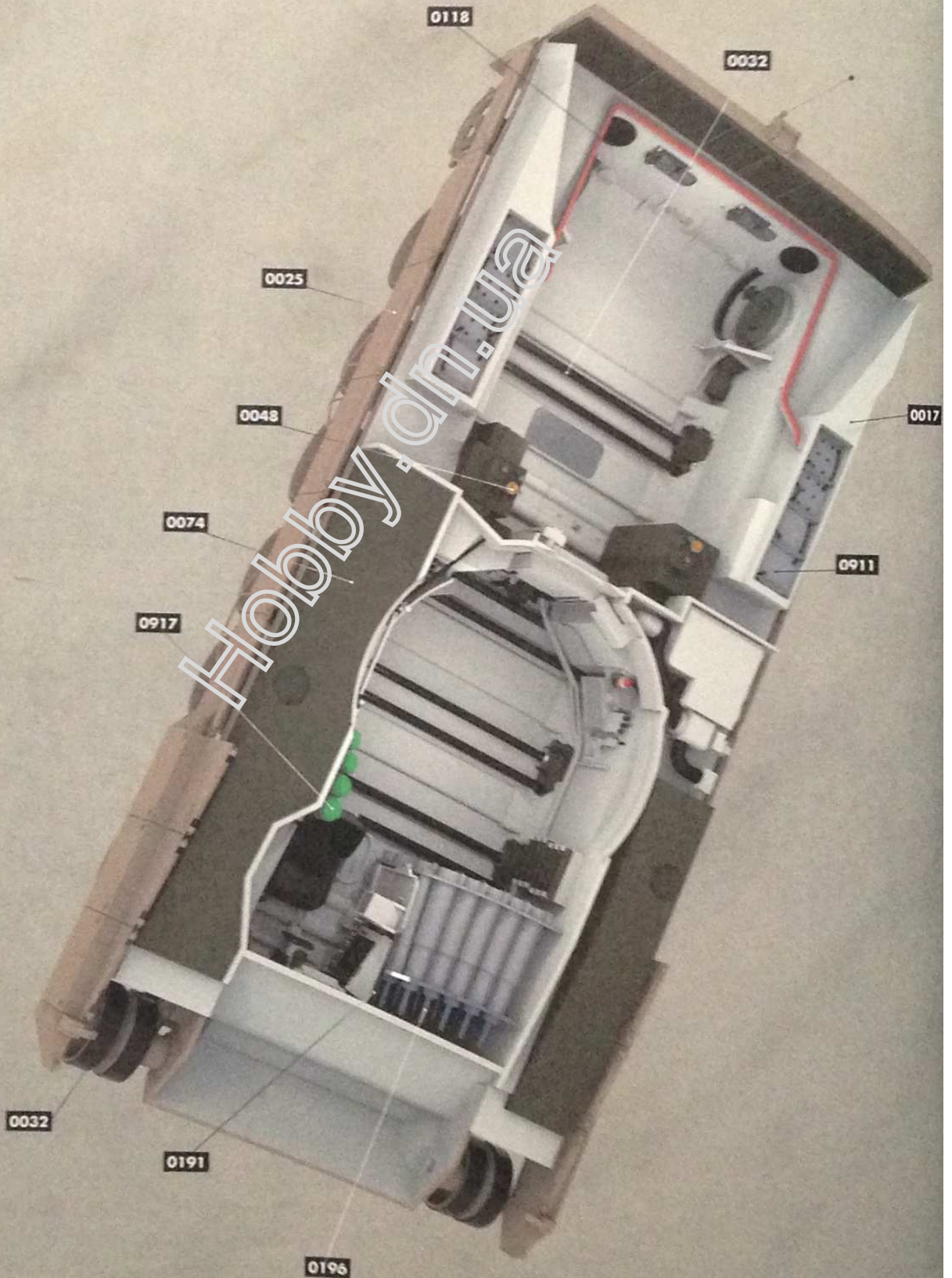
Painting and Marking Guide



by MIG Jimenez

www.ammo.es

 AMMO-0017 Put 8001	 AMMO-0025 FS 33446	 AMMO-0022 Semi Black	 AMMO-0048 Nickel
 AMMO-0074 Green Mobs	 AMMO-0118 Rust panel	 AMMO-0191 Steel	 AMMO-0196 Metallic Blue
 AMMO-0911 Grey Shine	 AMMO-0917 Light Green		



LEOPARD II

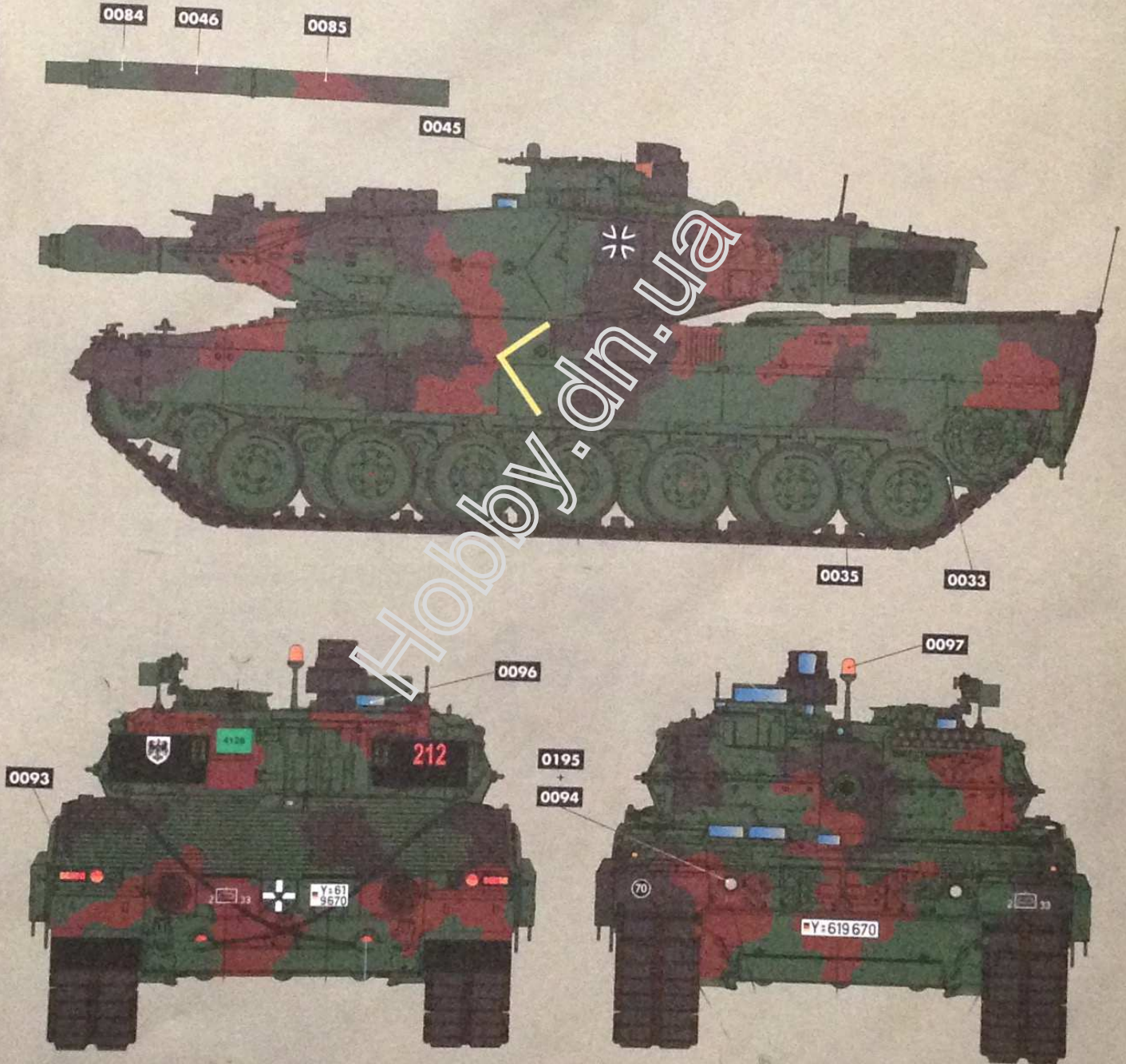
Painting and Marking Guide



www.ammo.es

- A.MIG-0032 Satin Black
- A.MIG-0033 Rubber & Tins
- A.MIG-0035 Dark Tracks
- A.MIG-0045 Gun Metal
- A.MIG-0046 Matt Black
- A.MIG-0064 Nato Green
- A.MIG-0065 Nato Brown
- A.MIG-0083 Crystal Red
- A.MIG-0094 Crystal Glass
- A.MIG-0086 Crystal Periscope Green
- A.MIG-0097 Crystal Orange
- A.MIG-0195 Silver

2st. 1st Platoon, 2nd Company, 33rd Armour
German Army Combat Training Centre



WEATHERING STEPS WITH AMMO PRODUCTS

1 GENERAL WASH A.MIG-1008 Dark Wash	3 STREAKING A.MIG-1253 Streakingbrusher Grime	5 RAINMARKS A.MIG-1208 Rainmarks Effects	7 MUD A.MIG-1703 Moist Ground	9 FUEL A.MIG-1409 Fuel Stains
2 FILTER A.MIG-1508 Green for Gray Green	4 WHEELS WASH A.MIG-1403 Earth	6 DUST A.MIG-3030 Factory Dirt Ground Pigment	8 SPLASHES A.MIG-1752 Loose Ground	10 OIL A.MIG-1408 Fresh Engine Oil



LEOPARD II

Painting and Marking Guide



by MIG Jimenez

www.ammo.es

- | | | | |
|--------------------------|------------------------------------|---------------------------|------------------------|
| A.MIG-0032 Swrn Black | A.MIG-0033 Rubber & Tires | A.MIG-0036 Dark Tracks | A.MIG-0046 Gun Metal |
| A.MIG-0046 Mud Black | A.MIG-0084 Nato Green | A.MIG-0085 Nato Brown | A.MIG-0093 Crystal Red |
| A.MIG-0094 Crystal Glass | A.MIG-0096 Crystal Periscope Green | A.MIG-0097 Crystal Orange | A.MIG-0195 Silver |

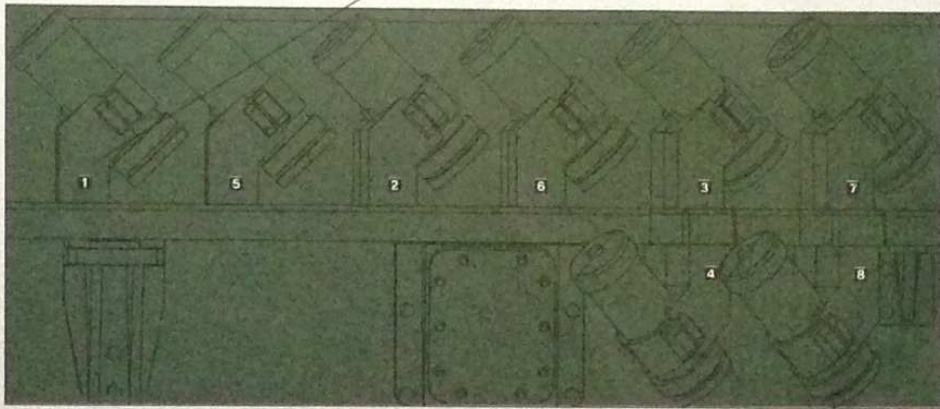
3rd Company 104th armour battalion
from pfreimd.



WEATHERING STEPS WITH AMMO PRODUCTS

- | | | | | |
|--|---|---|--|--|
| 1 GENERAL WASH
A.MIG-1008 Dark Wash | 3 STREAKING
A.MIG-1253 Streakingbrusher Grime | 5 RAINMARKS
A.MIG-1208 Rainmarks Effects | 7 MUD
A.MIG-1703 Moist Ground | 9 FUEL
A.MIG-1409 Fuel Stains |
| 2 FILTER
A.MIG-1508 Green for Grny Green | 4 WHEELS WASH
A.MIG-1403 Earth | 6 DUST
A.MIG-3030 Factory Dirt-Ground Pigment | 8 SPLASHES
A.MIG-1752 Loose Ground | 10 OIL
A.MIG-1408 Fresh Engine Oil |

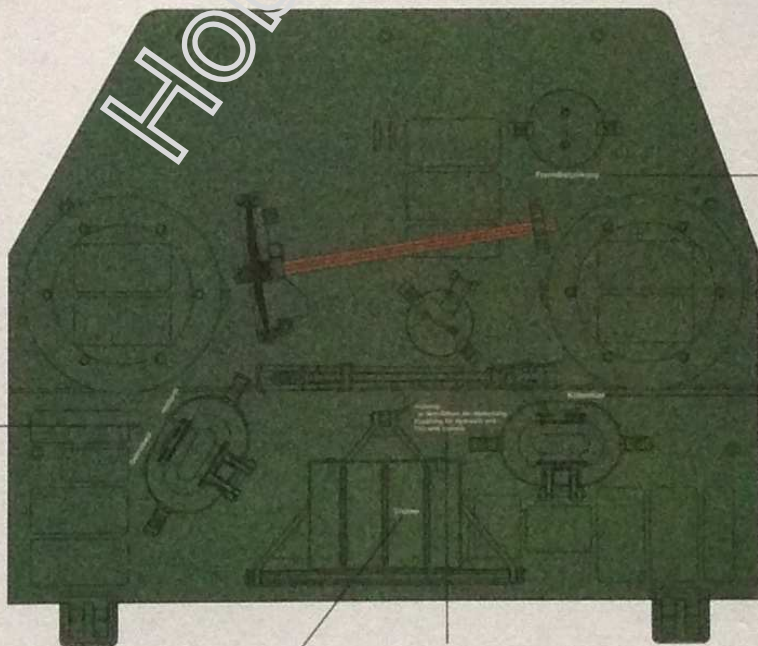
84



32



Hobby-dn.ua



79

78

77

80

81