

LIMITED EDITION

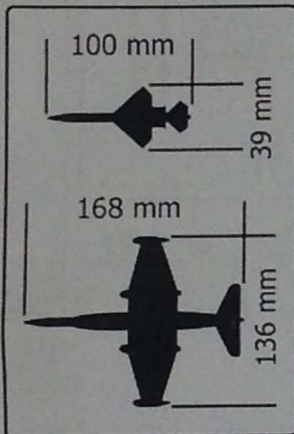
SOVA-M  
SVM-14013

B-57E &  
CIM-10A  
Bomarc



UNASSEMBLED PLASTIC MODEL KITS

SCALE:1/144



DECALS



ONE VERSION OF COLOURING

CIM-10 Bomarc is an American long range stationary surface-to-air missile (SAM) system, created in the late 50s. The first modification of the CIM-10A missile entered mass production in 1960. The missile had a liquid booster and a pulsed Doppler radar. Its range at a supersonic speed (up to 2.8 M) was approximately 450 km. By the early 1970s, the rapid growth of the USSR's strategic missiles arsenal led to the fact that strategic bombers were no longer considered as a main air threat. Under these circumstances, the Bomarc SAM system was hopelessly outdated and was withdrawn from service.

The model is executed on technology short run and is intended only for experienced modelers.

Word-wide distributor for Sova-M kits:  
ModelSvit Balkans Ltd. 4003 Plovdiv,  
Bulgaria 9, zk Maritza Gardens.  
Tel. +359 32 397 069,  
E-Mail: modelsvitbalkans@gmail.com  
MADE IN UKRAINE

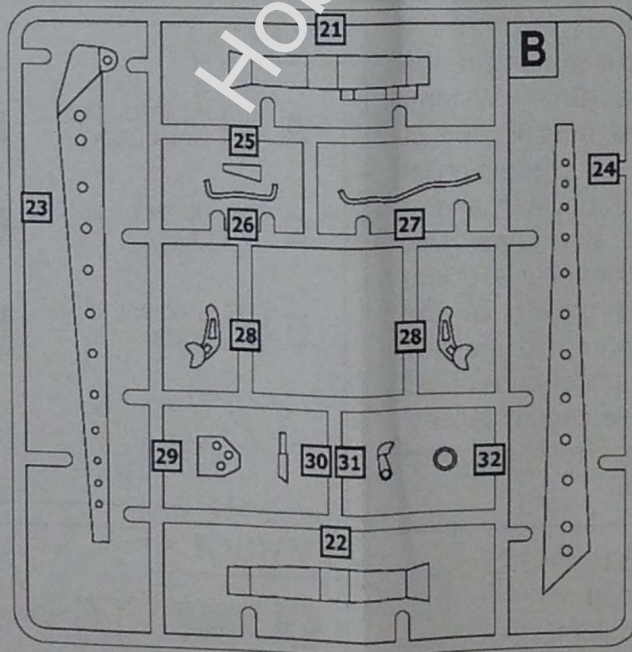
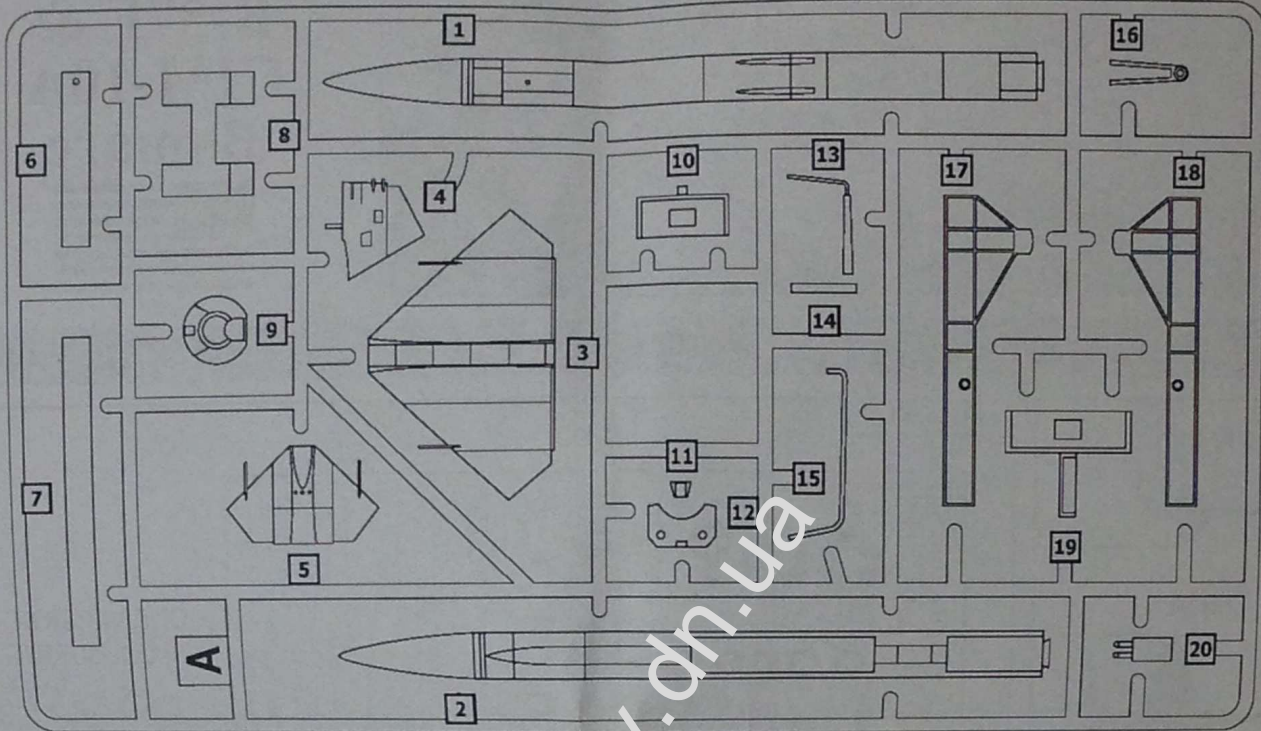
PAINTS

- |                                 |                                  |
|---------------------------------|----------------------------------|
| <b>A</b> HUMBROL 147 LIGHT GREY | <b>B</b> HUMBROL 34 WHITE        |
| <b>C</b> HUMBROL 11 SILVER      | <b>D</b> HUMBROL 27004 GUN METAL |
| <b>E</b> HUMBROL 33 BLACK       | <b>F</b> HUMBROL 21 BLACK        |

SYMBOLS

- |                                  |                   |               |
|----------------------------------|-------------------|---------------|
| <b>1</b> STAGES OF ASSEMBLY      | TO PAINT          | TO BEND       |
| <b>1</b> NUMBER PARTS            | GLUE              | SCRATCH BUILT |
| APPLY DECALS                     | DON'T GLUE        | OPEN HOLE     |
| <b>x2</b> QUANTITY OF OPERATIONS | НА ВИБІР OPTIONAL | CAT OUT       |

# SET OF THE PARTS

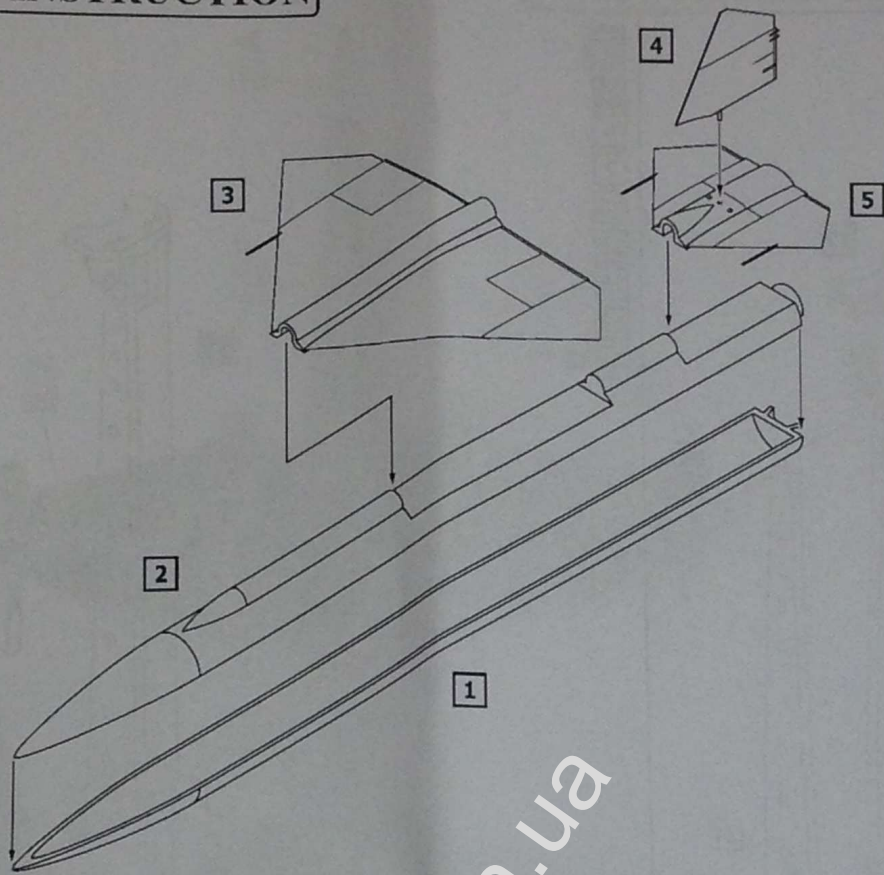


x2

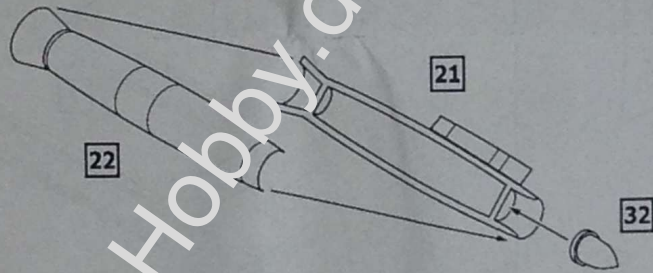
# ASSEMBLY INSTRUCTION



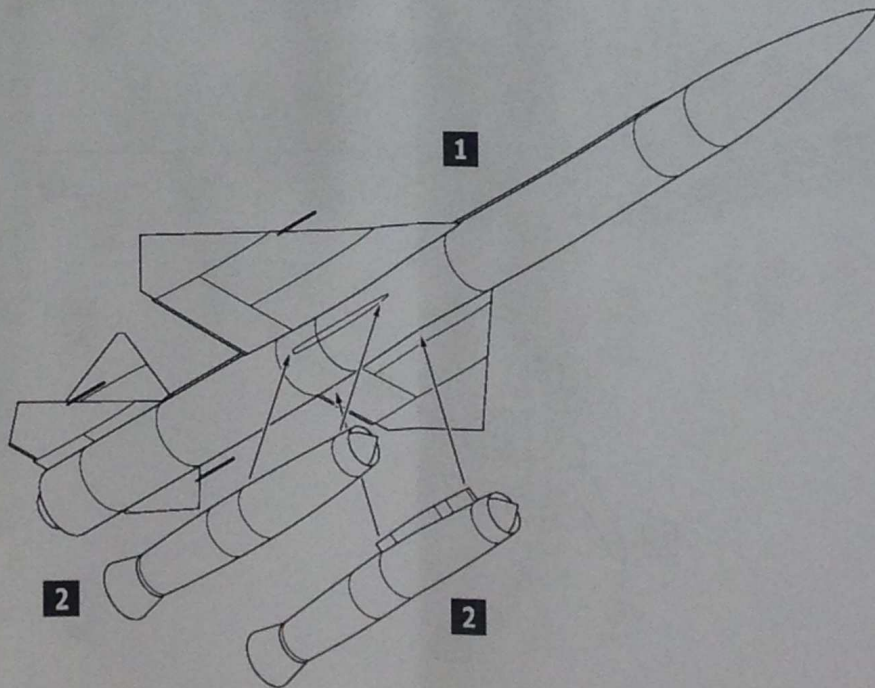
- 1**
- 1**
- 2**
- 3**
- 4**
- 5**



- 2** x2
- 21** x2
- 22** x2
- 32** x2



- 3**
- 1**
- 2** x2



# ASSEMBLY INSTRUCTION



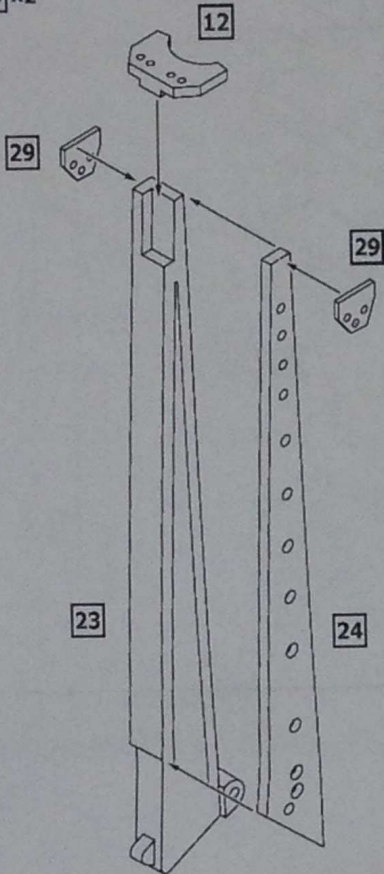
**4**

12

23

24

29 x2



**5**

4

6

7

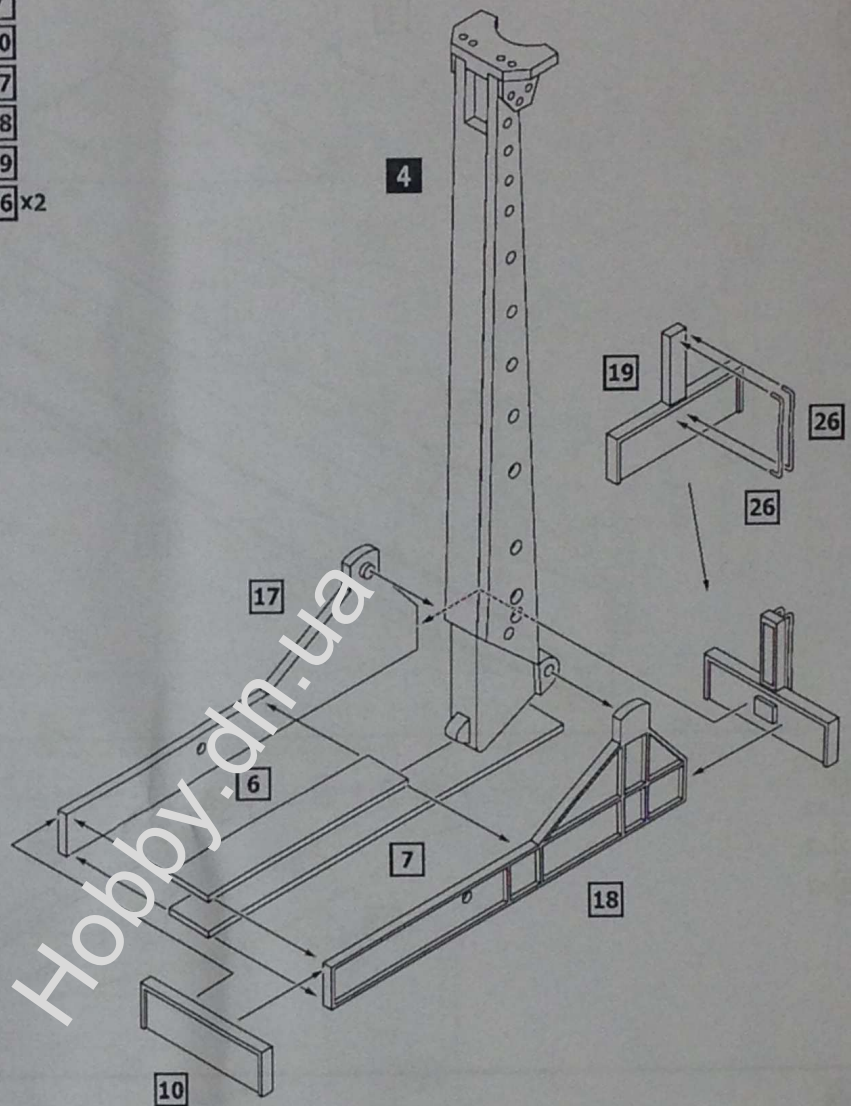
10

17

18

19

26 x2

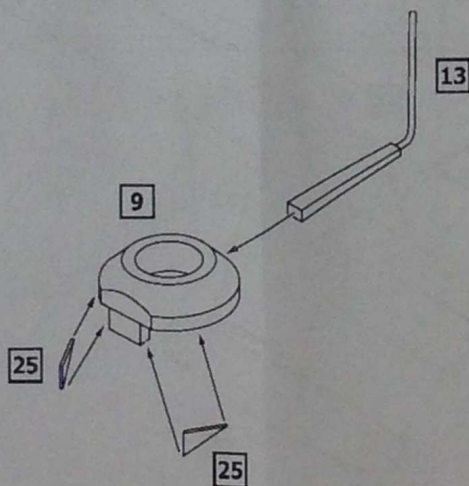


**6**

9

13

25 x2



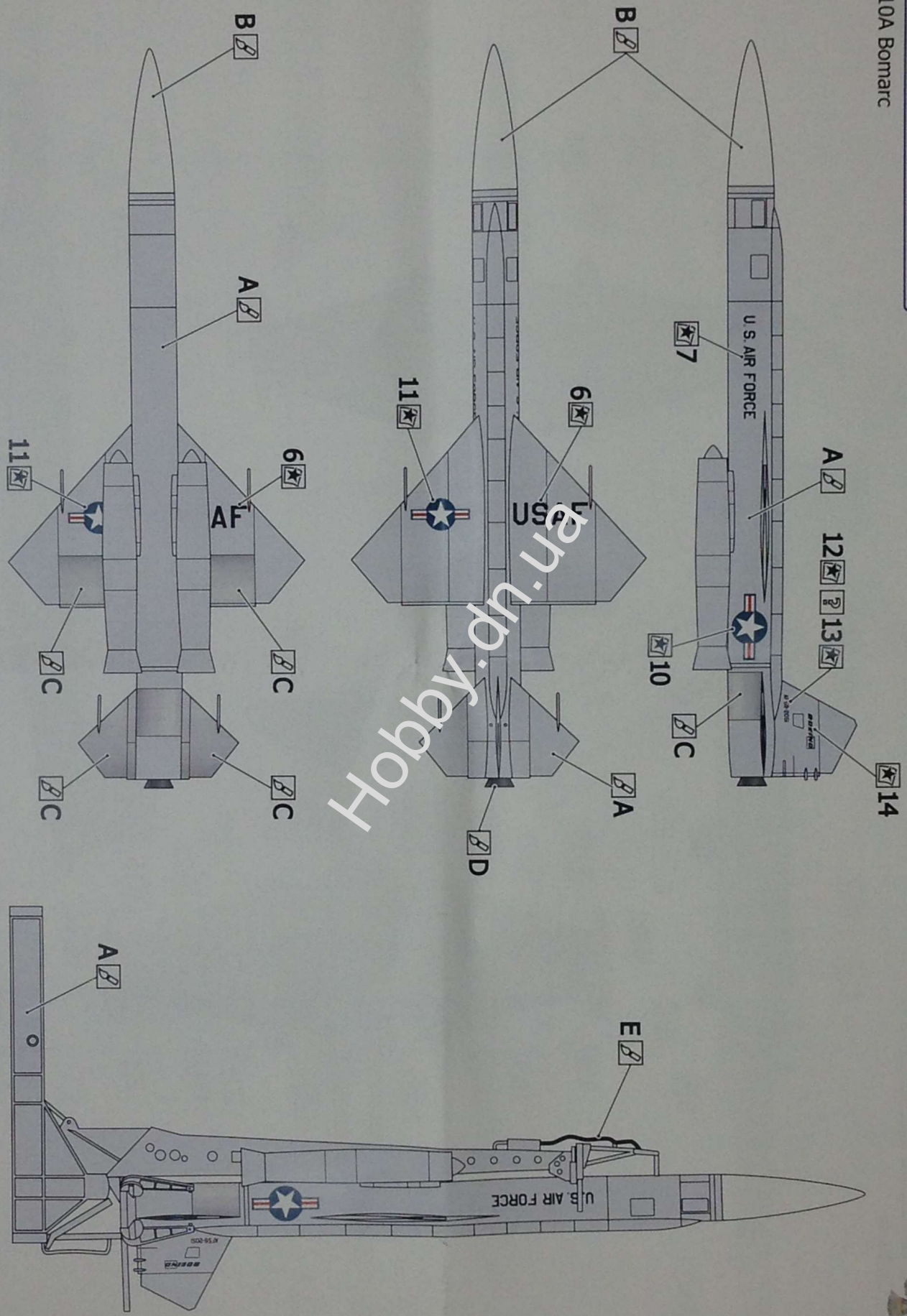
# MARKING & PAINTING

B-57E Canberra



# MARKING & PAINTING

CIM-10A Bomarc



# ASSEMBLY INSTRUCTION



7

3

5

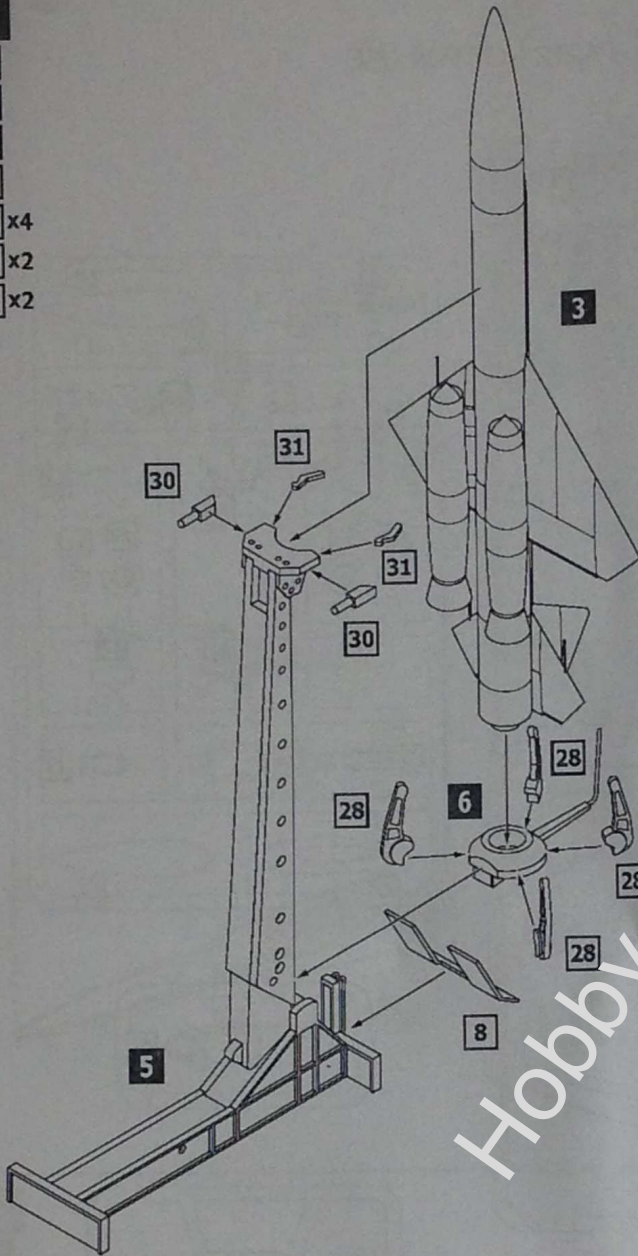
6

8

28 x4

30 x2

31 x2



8

7

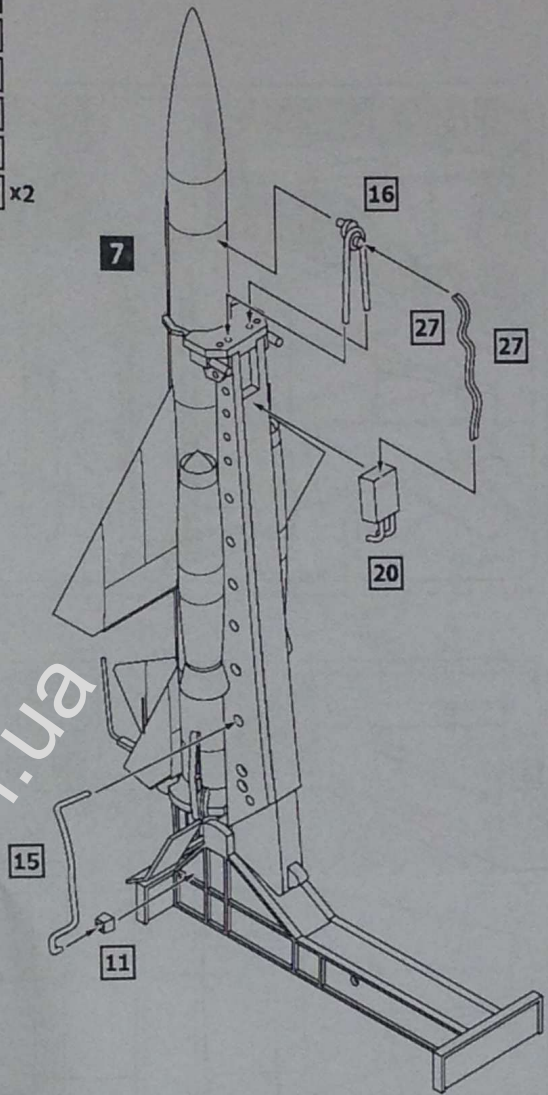
11

15

16

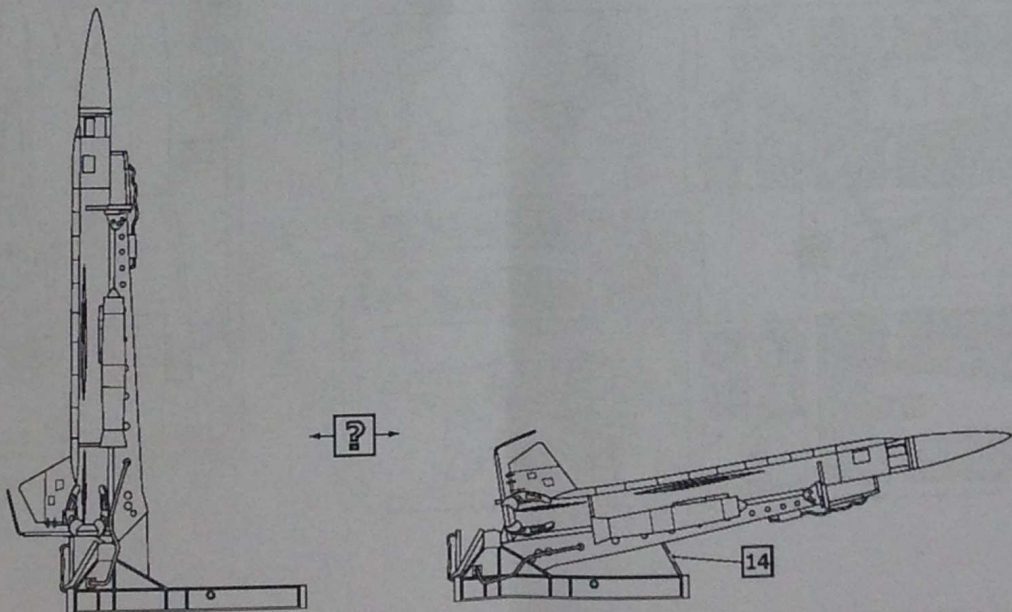
20

27 x2




9

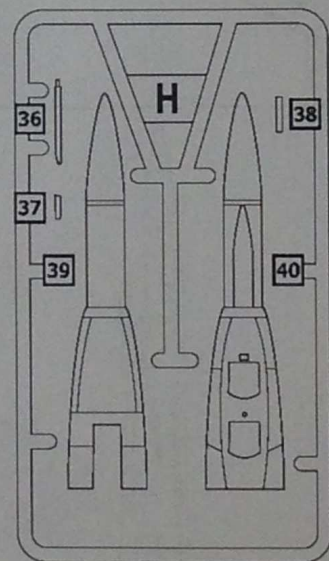
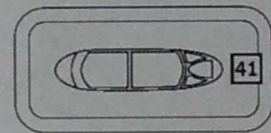
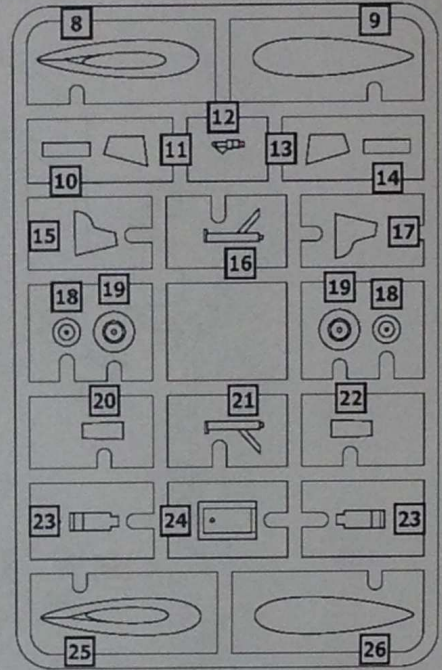
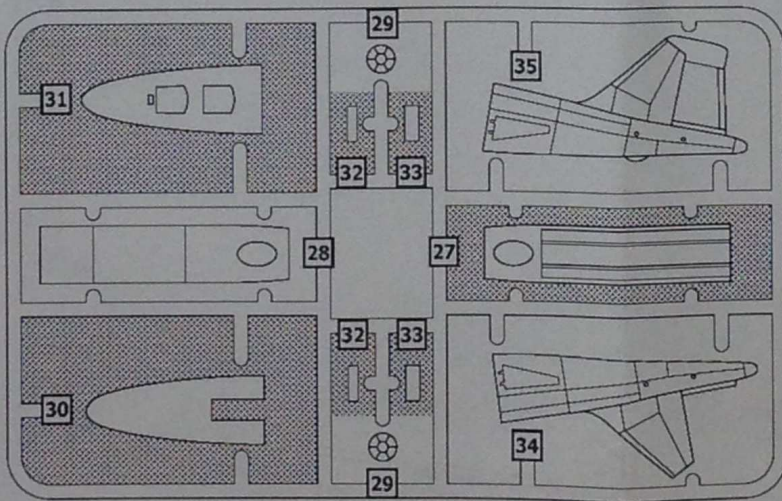
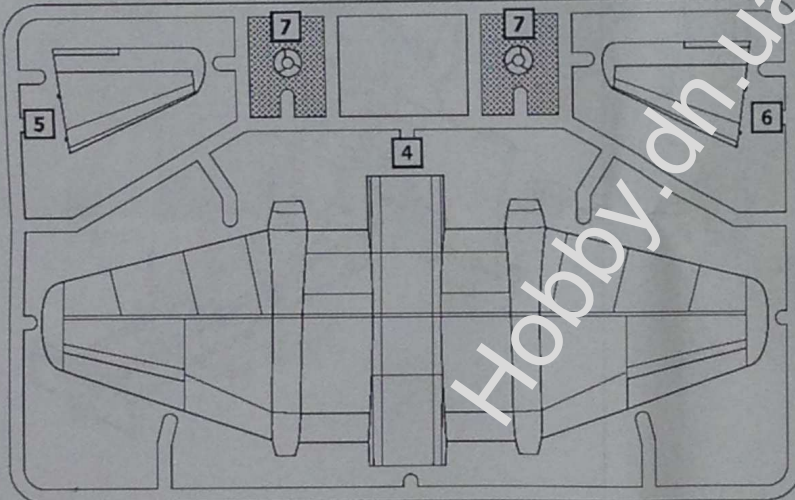
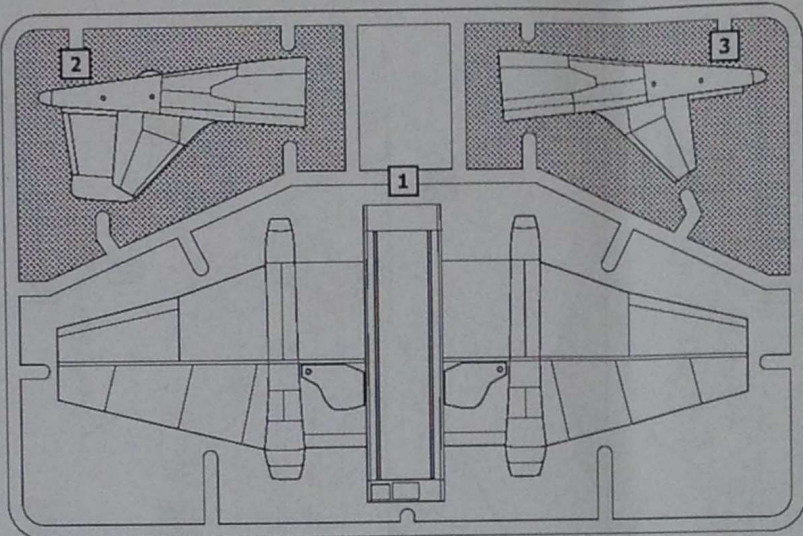
14



# SET OF THE PARTS



 PARTS NOT FOR USE



Hobby.dh.ua



# ASSEMBLY INSTRUCTION



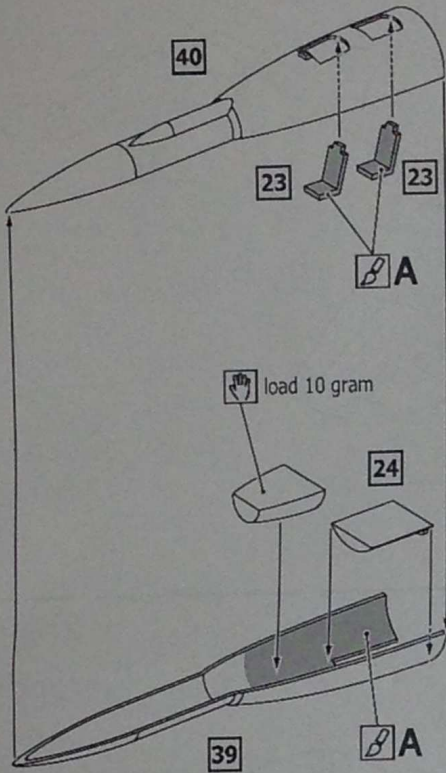
**1**

23 x2

24

39

40



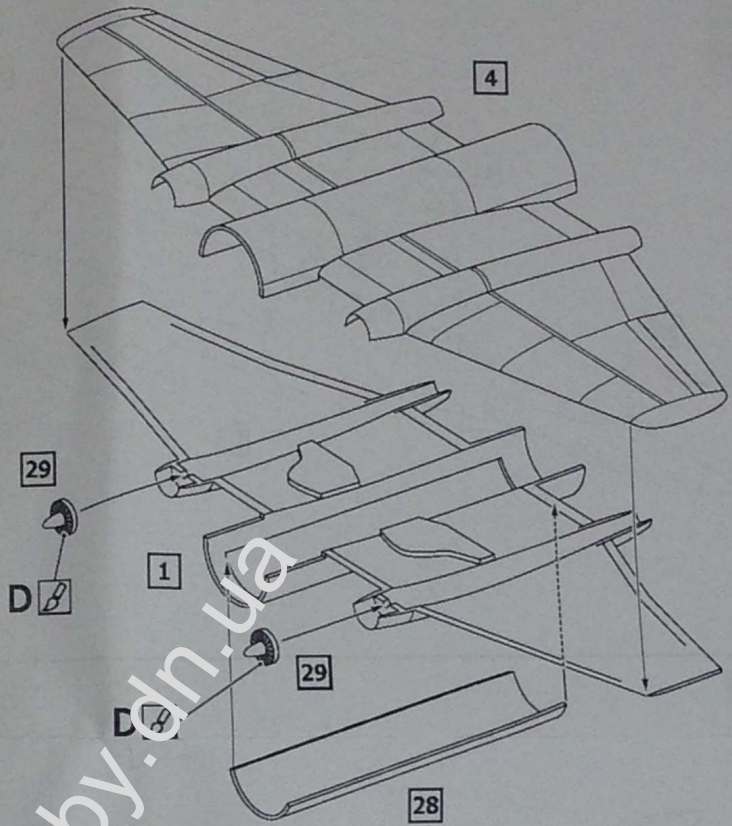
**2**

1

4

28

29 x2



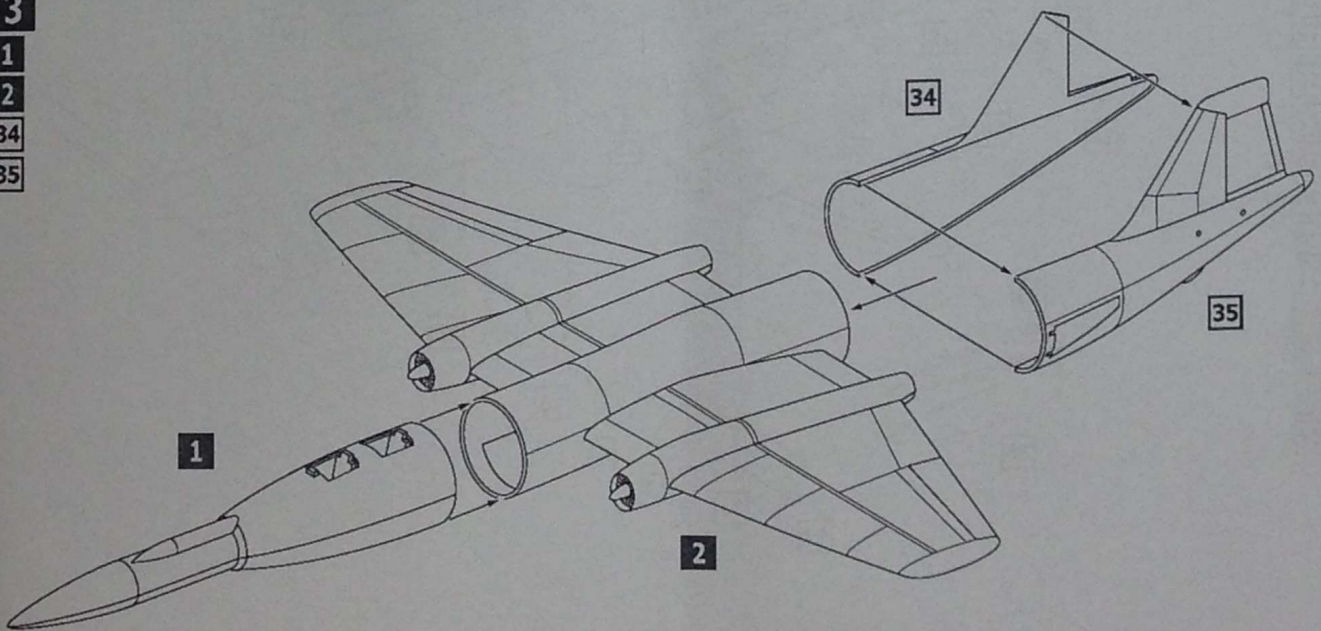
**3**

1

2

34

35



# ASSEMBLY INSTRUCTION

