



LIMITED EDITION

SOVA-M
SVM-4801

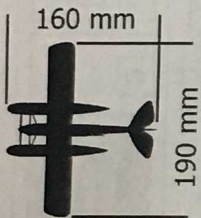
DH-60G
Coupe



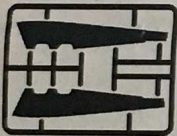
UNASSEMBLED PLASTIC MODEL KITS

SCALE:1/72

DECALS



123 parts



ONE VERSION
OF COLOURING

G-AAUR
 1 G-AAUR
 G-AA
 G-AA

THE BRITISH ARCTIC AIR-ROUTE EXPEDITION
 THE BRITISH ARCTIC AIR-ROUTE EXPEDITION

AUR
 AUR

SVM-4801
 DH-60G Coupe

De Havilland DH-60 became an ancestor of the whole Moth airplanes family, which made a revolution in aircraft building of Great Britain. DH-60 prototype made its maiden flight in February 1925. The final version of the airplane was approved in 1927 and was produced in some modifications. 1640 airplanes of given type were produced in total. DH-60 was used as a tourist and sports airplane and as an airplane for a long-distance flight.

The model is executed on technology short run and is intended only for experienced modelers.

Word-wide distributor for Sova-M kits:
 ModelSvit Balkans Ltd. 4003 Plovdiv,
 Bulgaria 9, zc Maritza Gardens.
 Tel. +359 32 397 069,
 E-Mail: modelsvitbalkans@gmail.com
 MADE IN UKRAINE

PAINTS


- | | |
|------------------------------|--------------------------------|
| A HUMBROL 19 RED | B HUMBROL 11 SILVER |
| C HUMBROL 33 BLACK | D HUMBROL 27003 STEEL |
| E HUMBROL 53 GUNMETAL | F HUMBROL 113 RUST |
| G HUMBROL 110 WOOD | H HUMBROL 56 ALUMINIUM |
| J HUMBROL 62 LEATHER | K HUMBROL 64 LIGHT GREY |

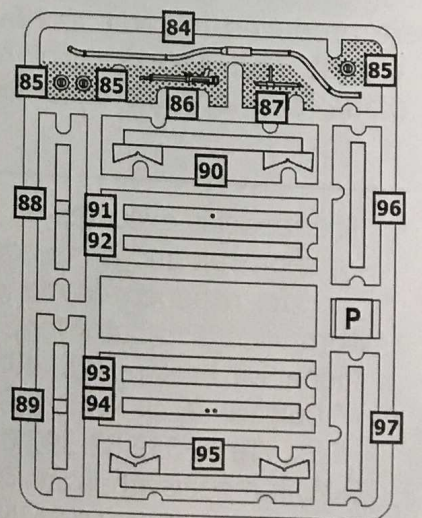
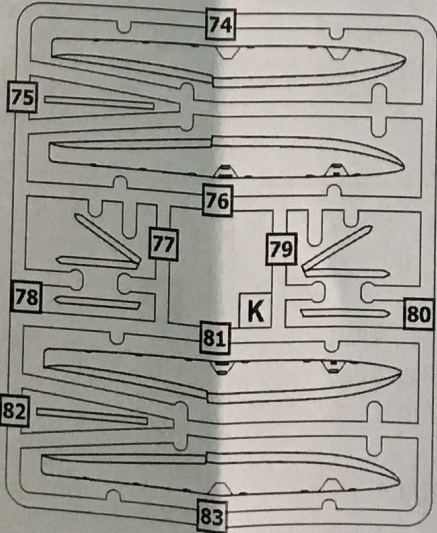
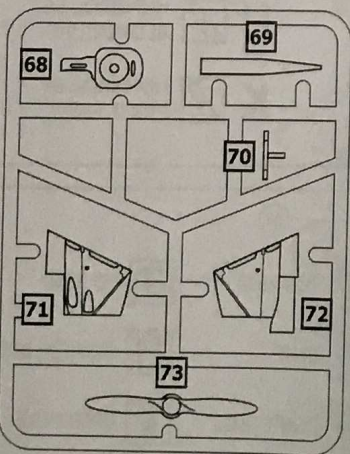
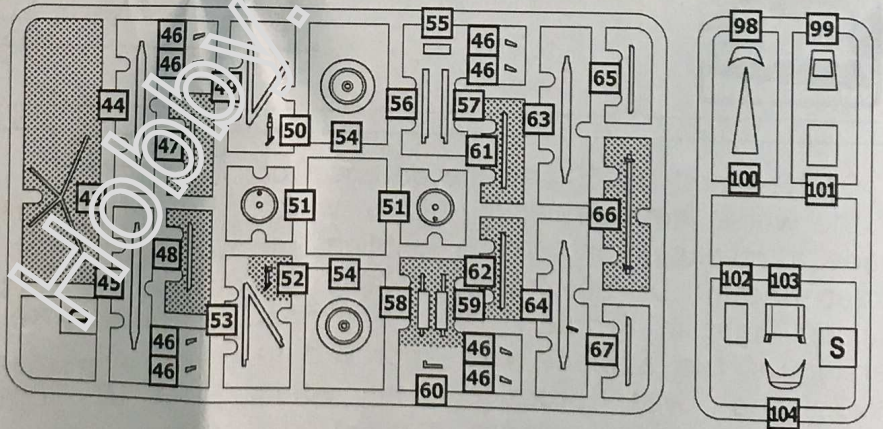
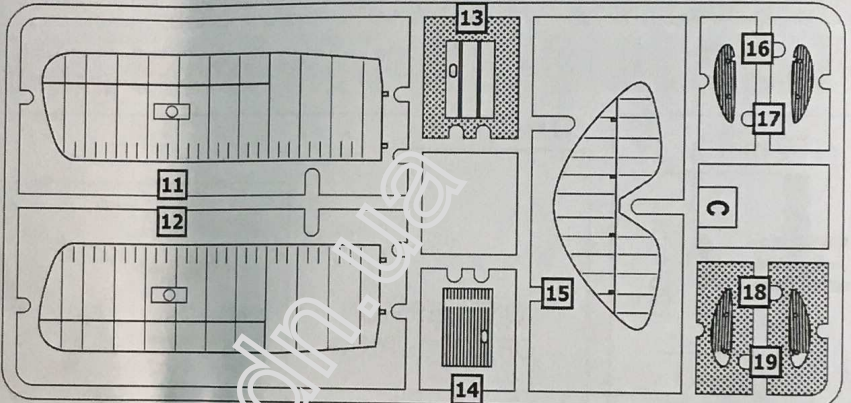
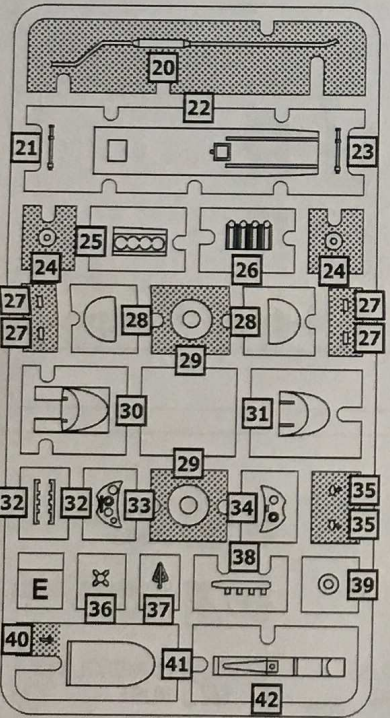
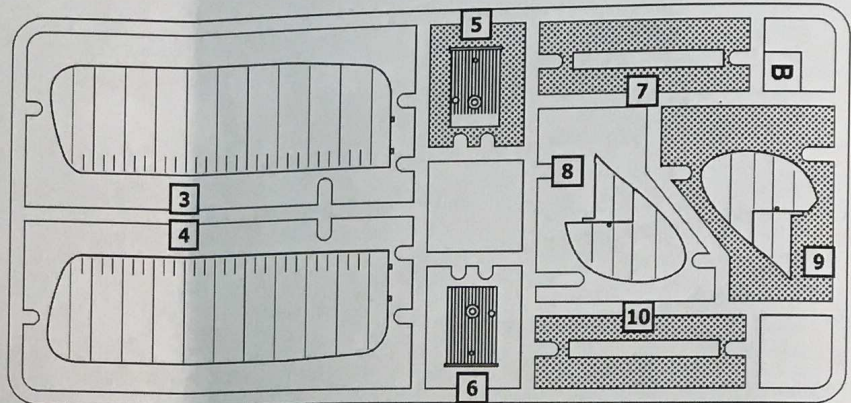
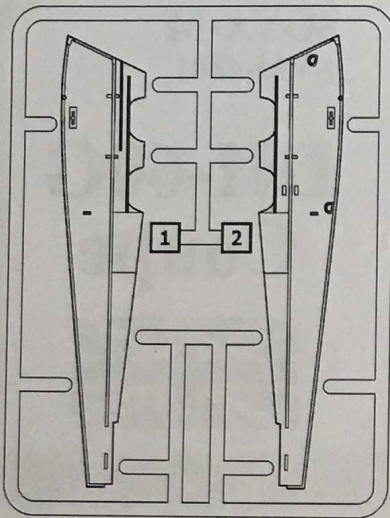
SYMBOLS

- | | | |
|----------------------------------|-------------------|---------------|
| 1 STAGES OF ASSEMBLY | TO PAINT | TO BEND |
| 1 NUMBER PARTS | GLUE | SCRATCH BUILT |
| APPLY DECALS | DON'T GLUE | OPEN HOLE |
| x2 QUANTITY OF OPERATIONS | НА ВИБІР OPTIONAL | CAT OUT |

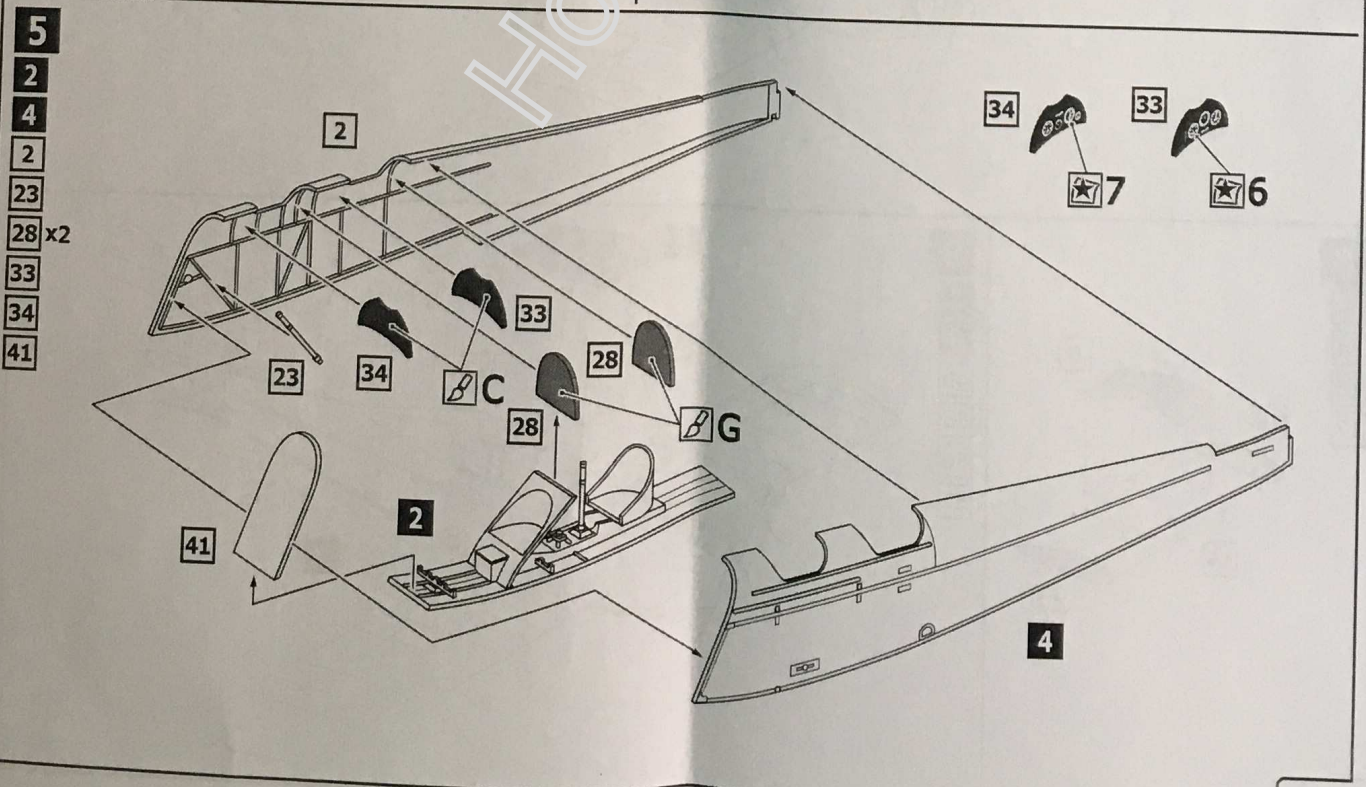
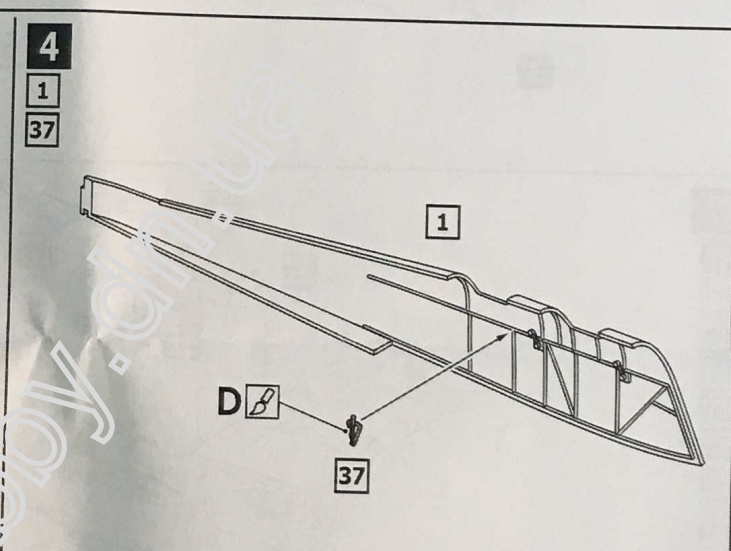
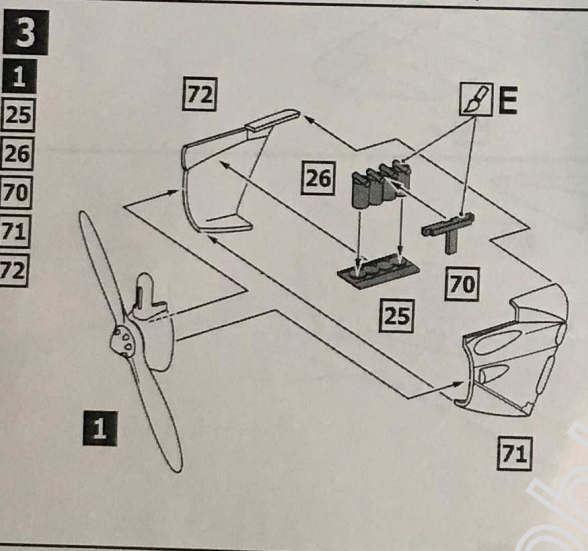
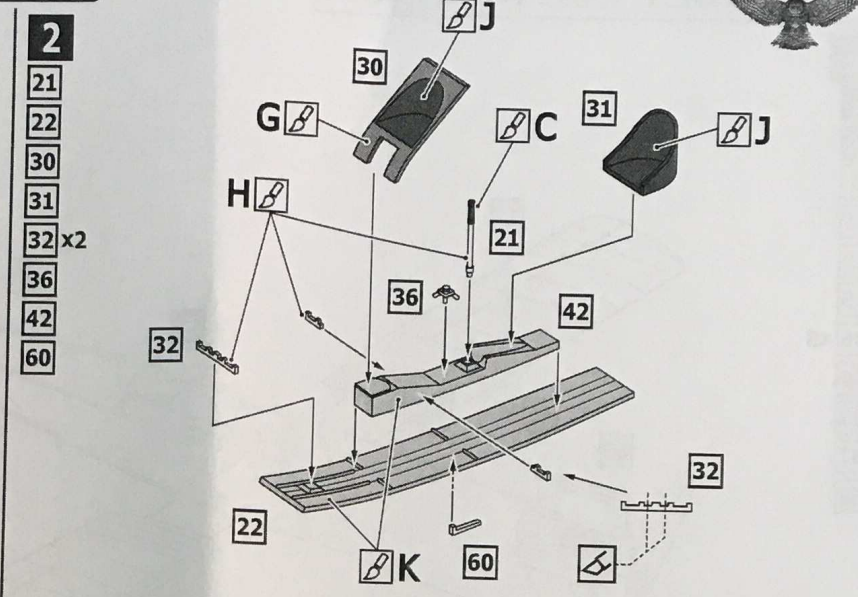
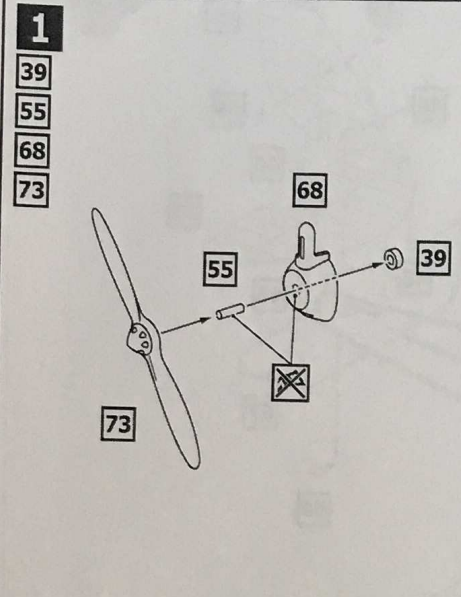
SET OF THE PARTS



 PARTS NOT FOR USE



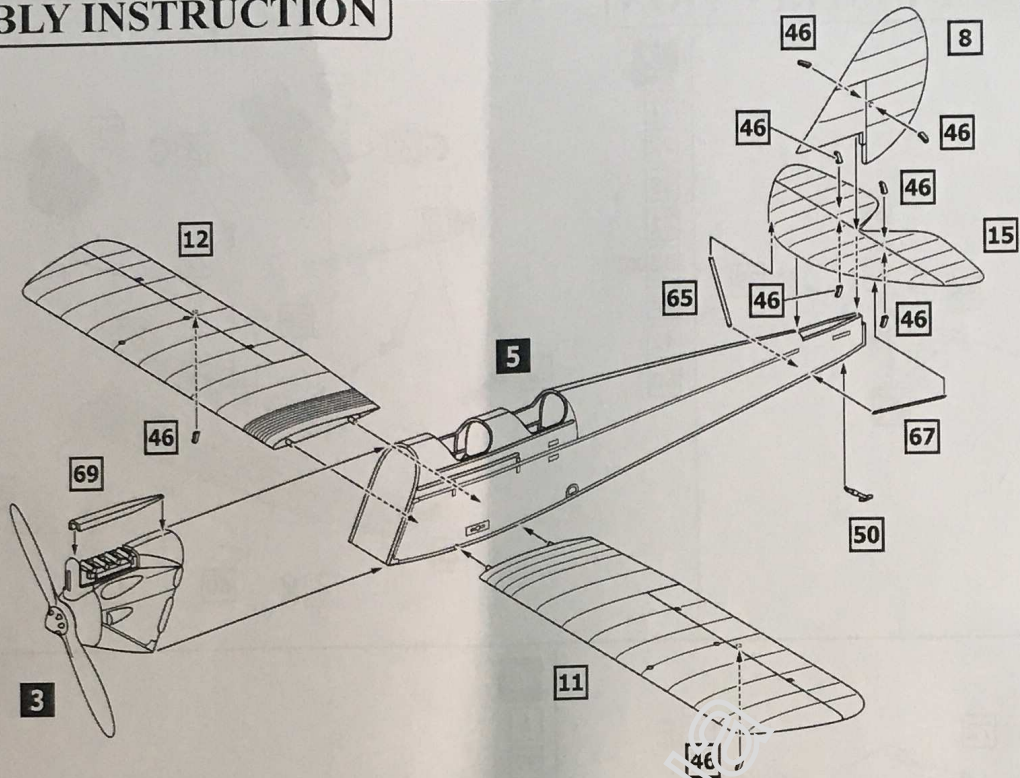
ASSEMBLY INSTRUCTION



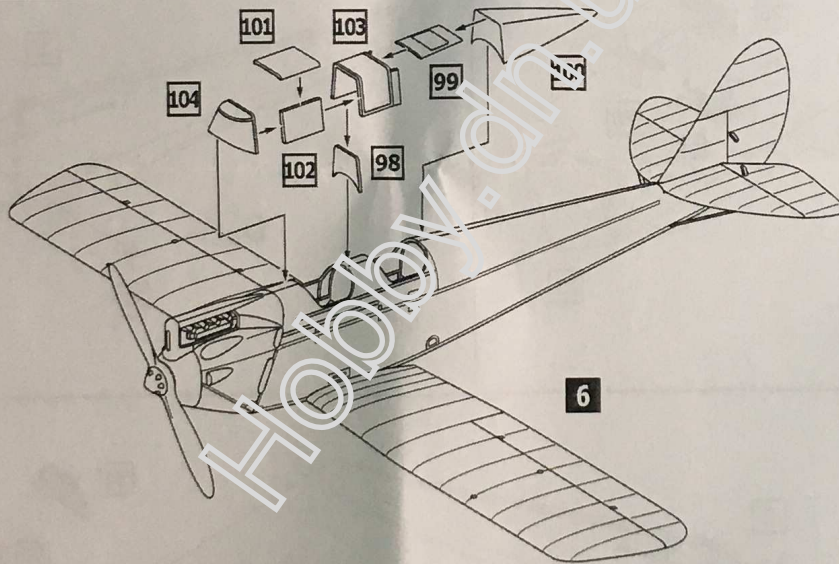
ASSEMBLY INSTRUCTION



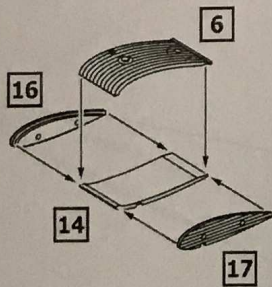
- 6**
- 3**
- 5**
- 8**
- 11**
- 12**
- 15**
- 46 x8**
- 50**
- 65**
- 67**
- 69**



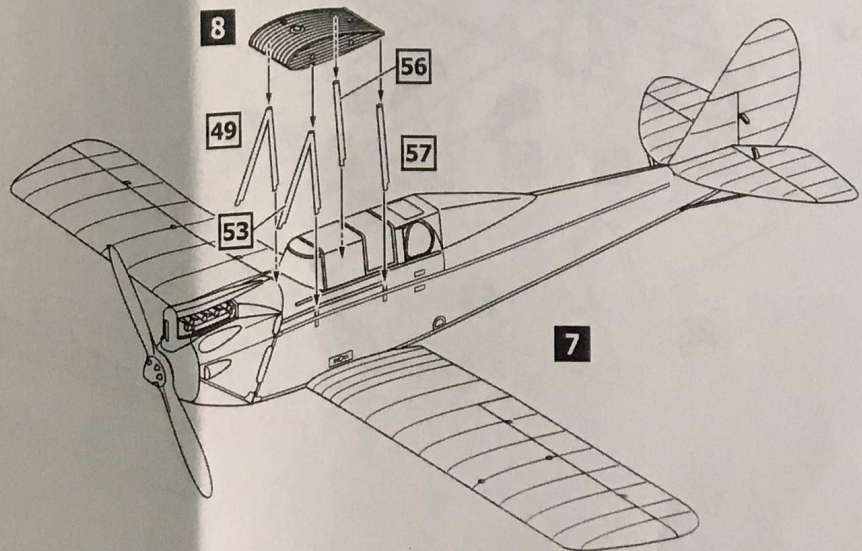
- 7**
- 6**
- 98**
- 99**
- 100**
- 101**
- 102**
- 103**
- 104**



- 8**
- 6**
- 14**
- 16**
- 17**



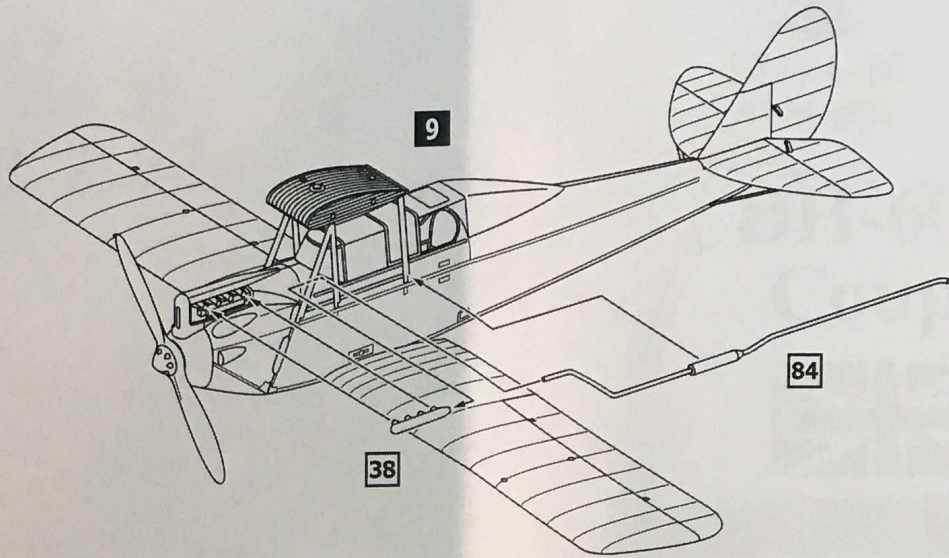
- 9**
- 7**
- 8**
- 49**
- 53**
- 56**
- 57**



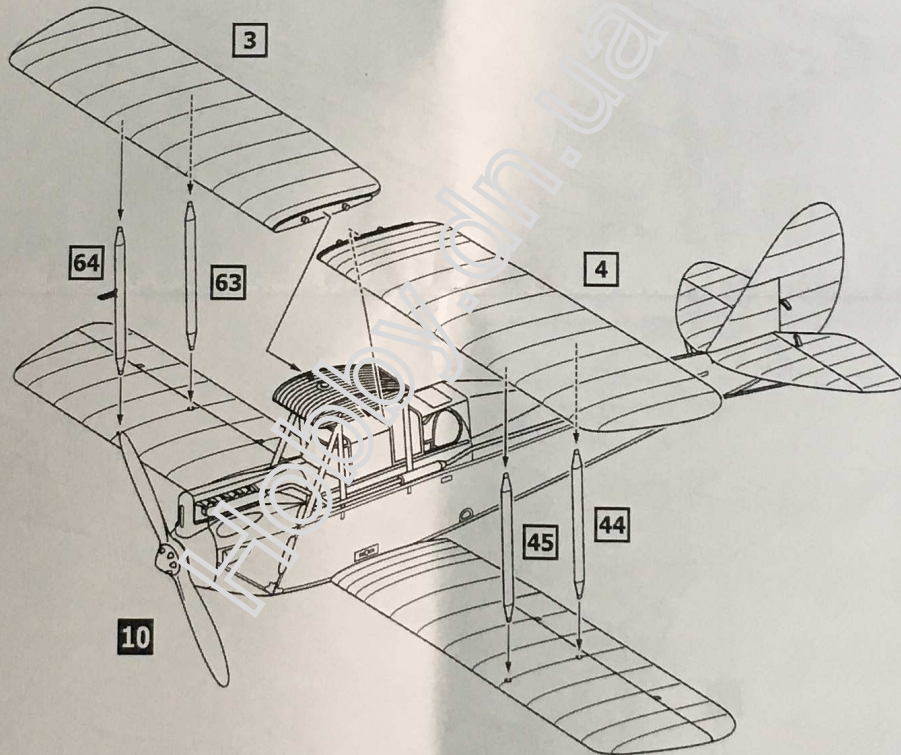
ASSEMBLY INSTRUCTION



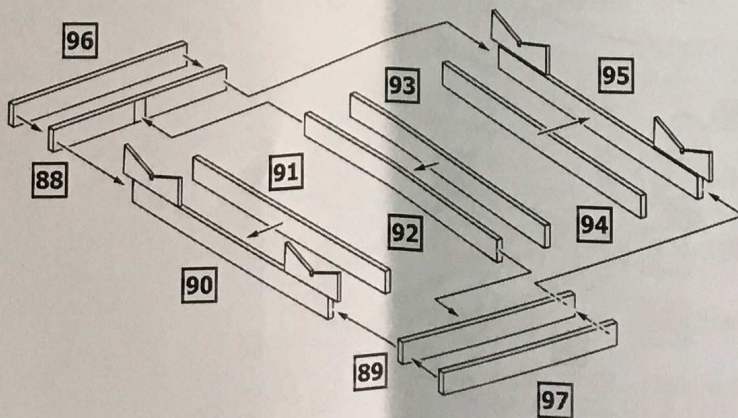
- 10
- 9
- 38
- 84



- 11
- 10
- 3
- 4
- 44
- 45
- 63
- 64



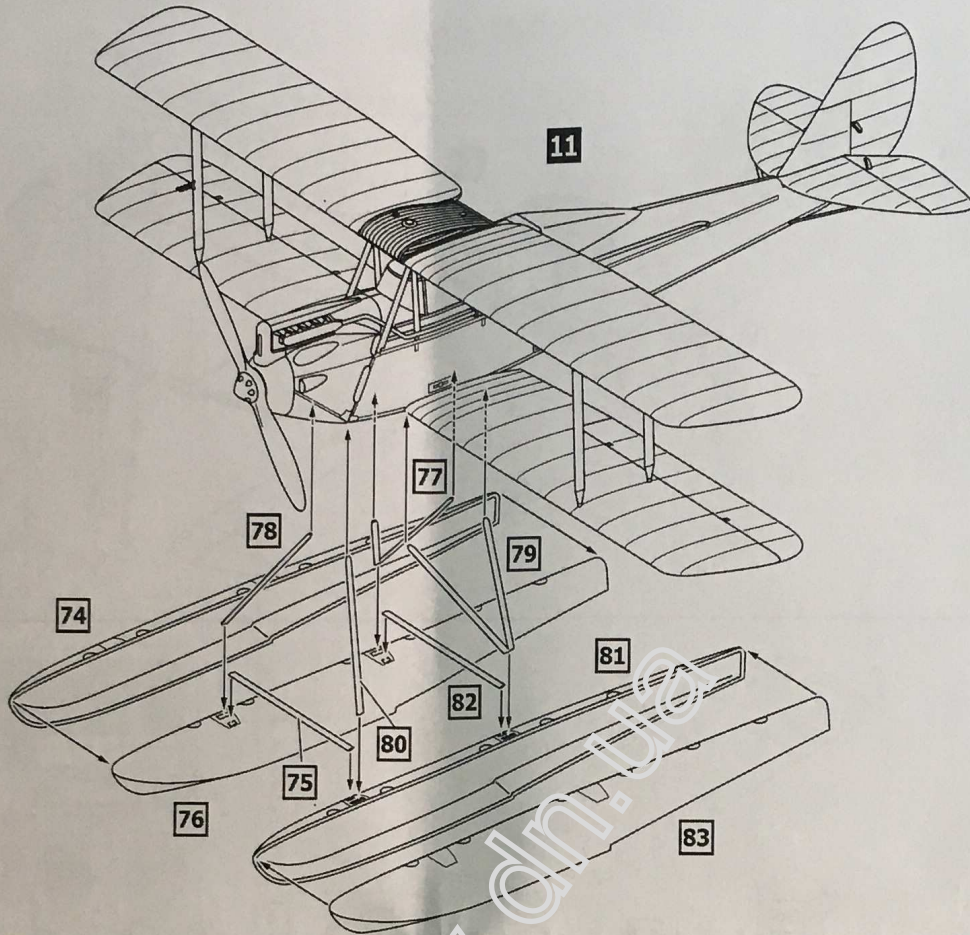
- 12
- 88
- 89
- 90
- 91
- 92
- 93
- 94
- 95
- 96
- 97



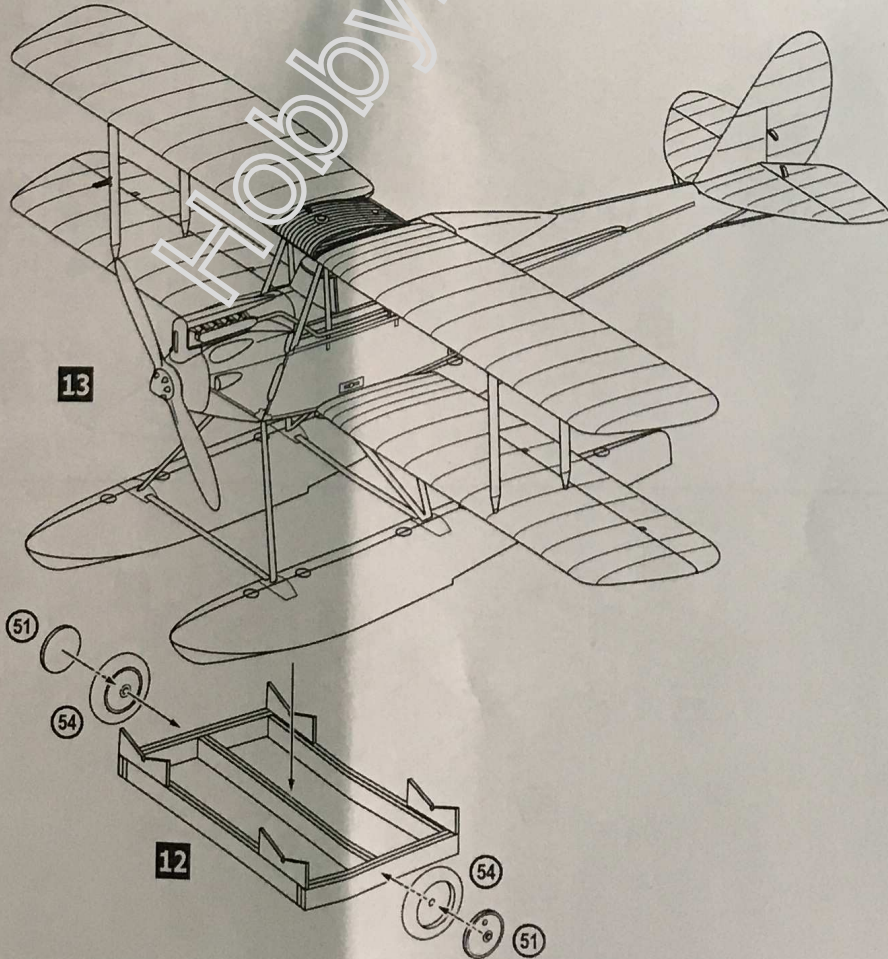
ASSEMBLY INSTRUCTION



- 13**
- 11**
- 74**
- 75**
- 76**
- 77**
- 78**
- 79**
- 80**
- 81**
- 82**
- 83**



- 14**
- 12**
- 13**
- 51** x2
- 54** x2



MARKING & PAINTING

DH-60G Gipsy Moth Coupe

