



LIMITED EDITION

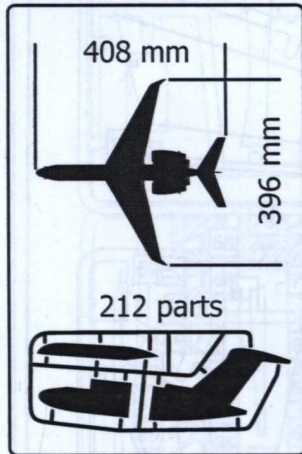
SOVA-M
SVM-72017

Gulfstream
G-550
JSTARS

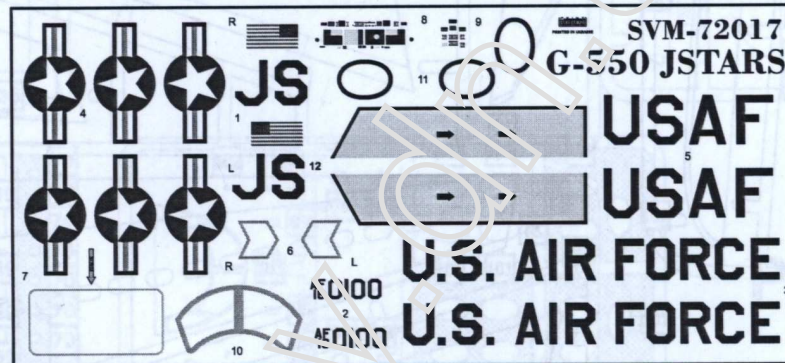


UNASSEMBLED PLASTIC MODEL KITS

SCALE:1/72



DECALS



ONE VERSION OF COLOURING

The Gulfstream G550 is a business jet aircraft produced by General Dynamics' Gulfstream Aerospace unit in Savannah, Georgia, US. The certification designation is GV-SP. There were 450 Gulfstream G550s in active service as of January 2016. The G550 (GV-SP) with improved engines received its FAA type certificate on August 14, 2003.

PAINTS

- | | |
|---------------------------------------|----------------------------------|
| A HUMBROL 129 US GULL GREY | B HUMBROL 27004 GUN METAL |
| C HUMBROL 33 BLACK | D HUMBROL 56 ALUMINIUM |
| E HUMBROL 27003 POLISHED STEEL | F HUMBROL 145 MEDIUM GREY |

The model is executed on technology short run and is intended only for experienced modelers.

Word-wide distributor for Sova-M kits:
ModelSvit Balkans Ltd. 4003 Plovdiv,
Bulgaria 9, zk Maritza Gardens.
Tel. +359 32 397 069,
E-Mail: modelsvitbalkans@gmail.com
MADE IN UKRAINE

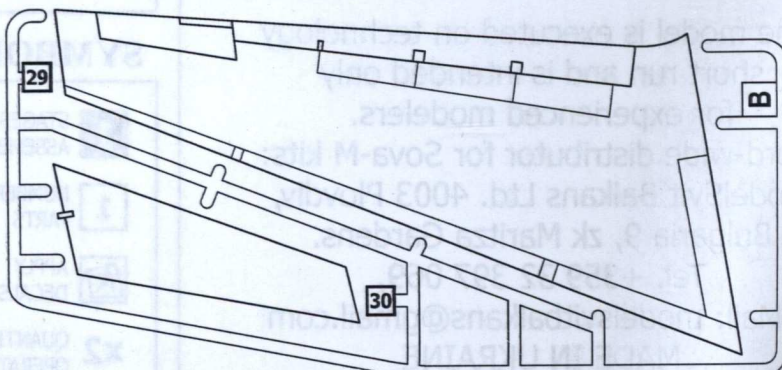
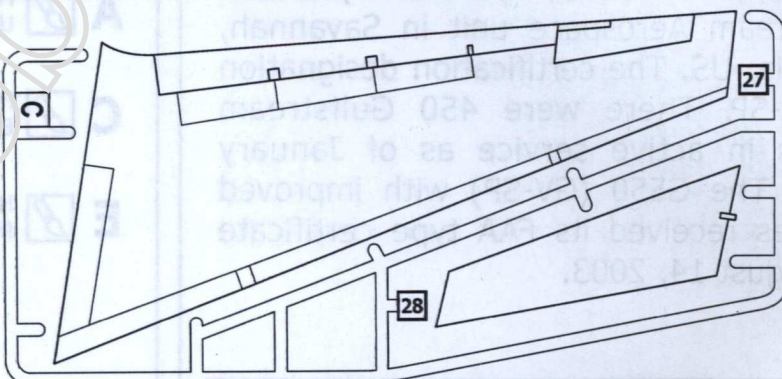
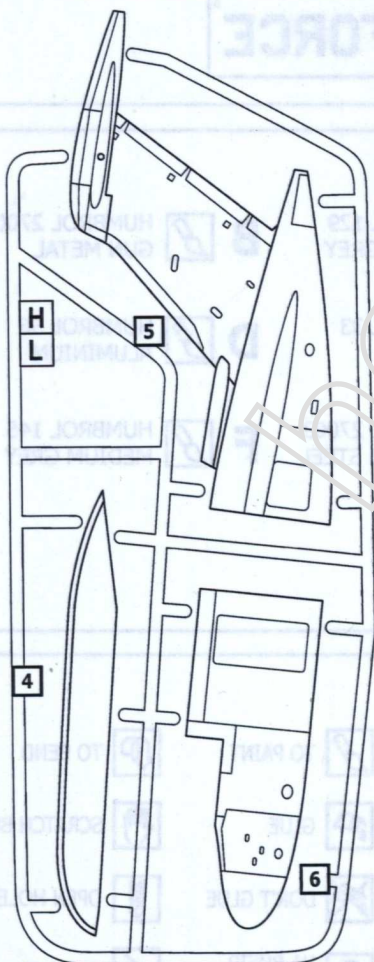
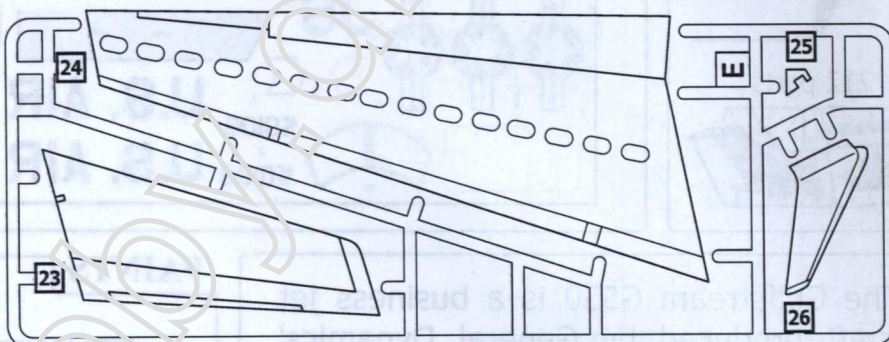
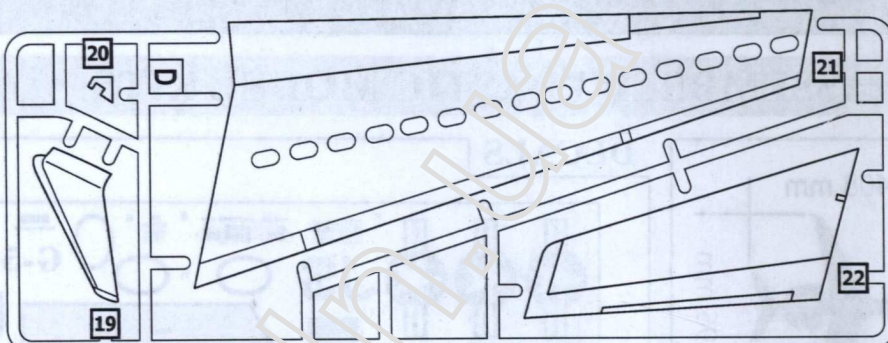
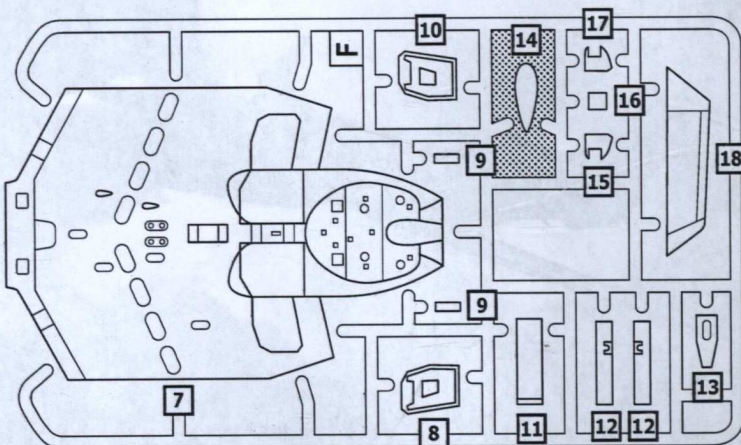
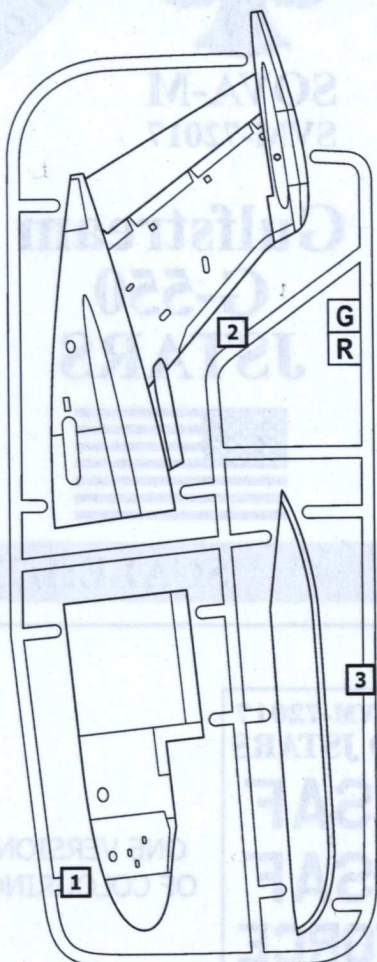
SYMBOLS

- | | | |
|----------------------------------|-------------------|---------------|
| 1 STAGES OF ASSEMBLY | TO PAINT | TO BEND |
| 1 NUMBER PARTS | GLUE | SCRATCH BUILT |
| APPLY DECALS | DON'T GLUE | OPEN HOLE |
| x2 QUANTITY OF OPERATIONS | НА ВИБІР OPTIONAL | CAT OUT |

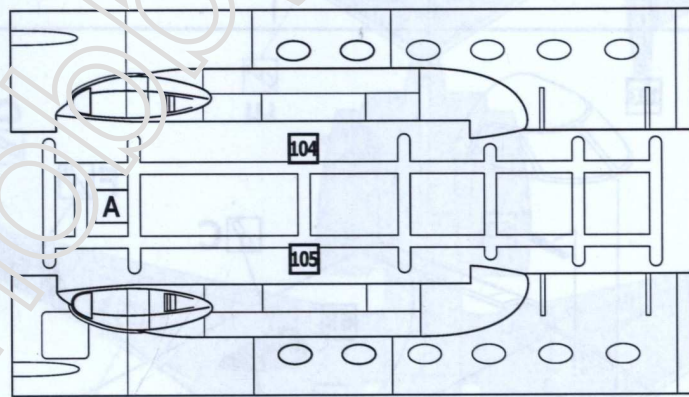
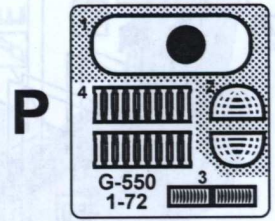
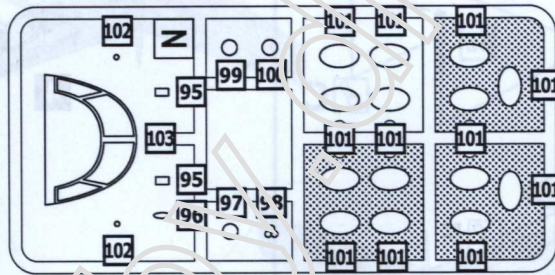
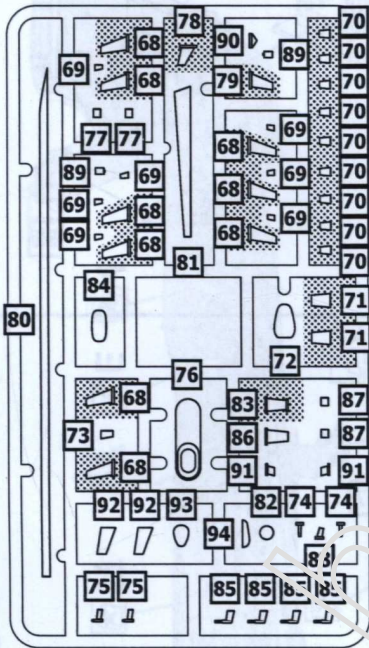
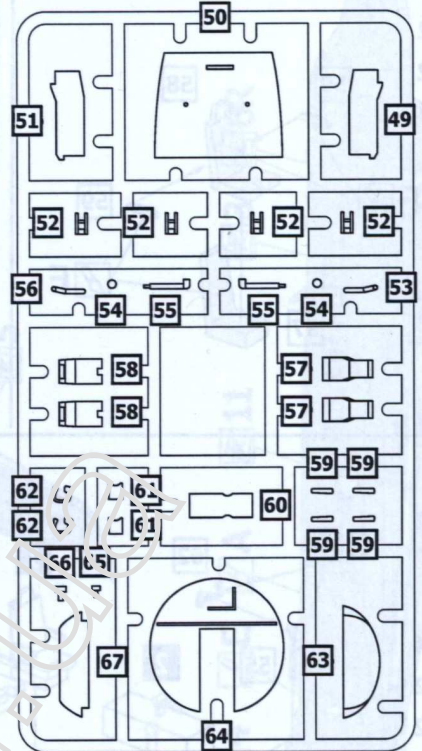
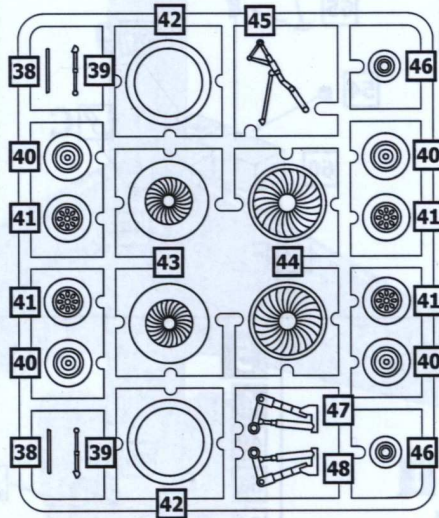
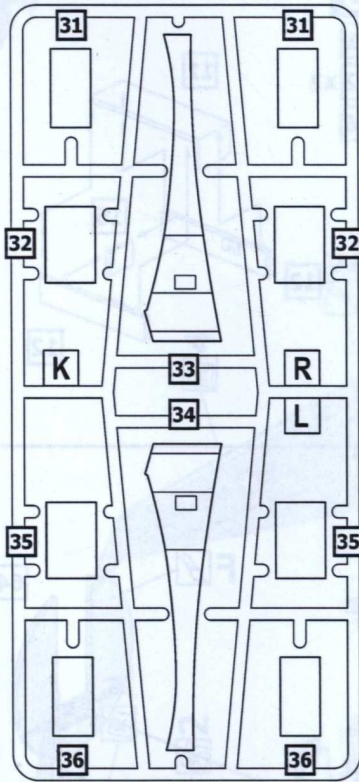
SET OF THE PARTS



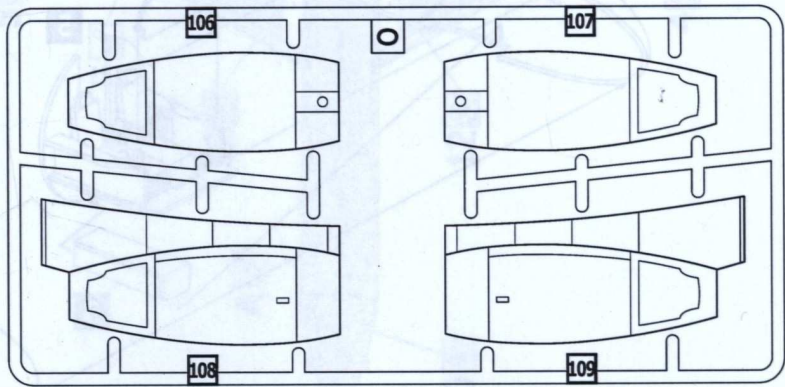
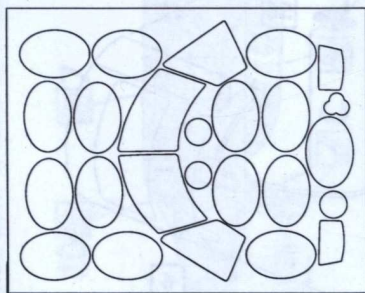
PARTS NOT FOR USE



SET OF THE PARTS



MASKS FOR PAINTING МАСКИ ДЛЯ ОКРАСКИ ФОНАРЯ



ASSEMBLY INSTRUCTION

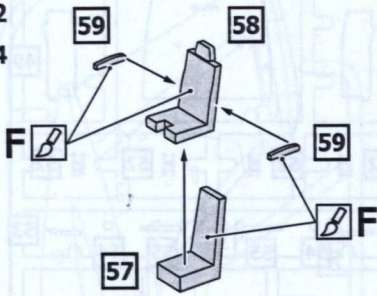


1 x2

57 x2

58 x2

59 x4



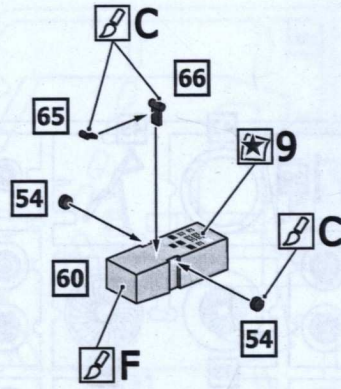
2

54 x2

60

65

66

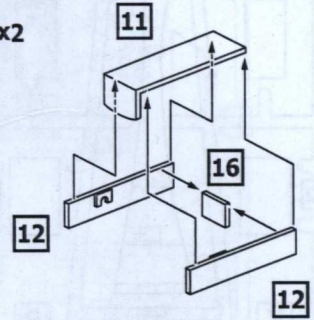


3

11

12 x2

16



4

1 x2

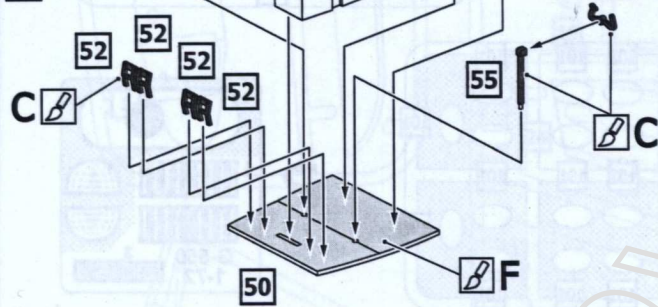
2

50

52 x4

55 x2

62 x2



5

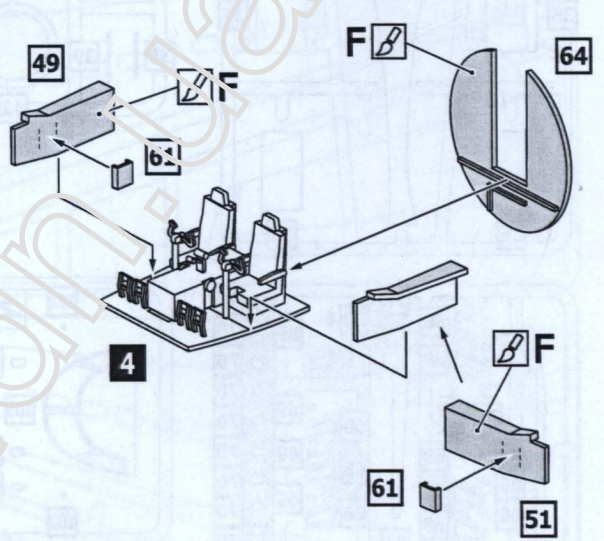
4

49

51

61 x2

64



6

3

5

1

6

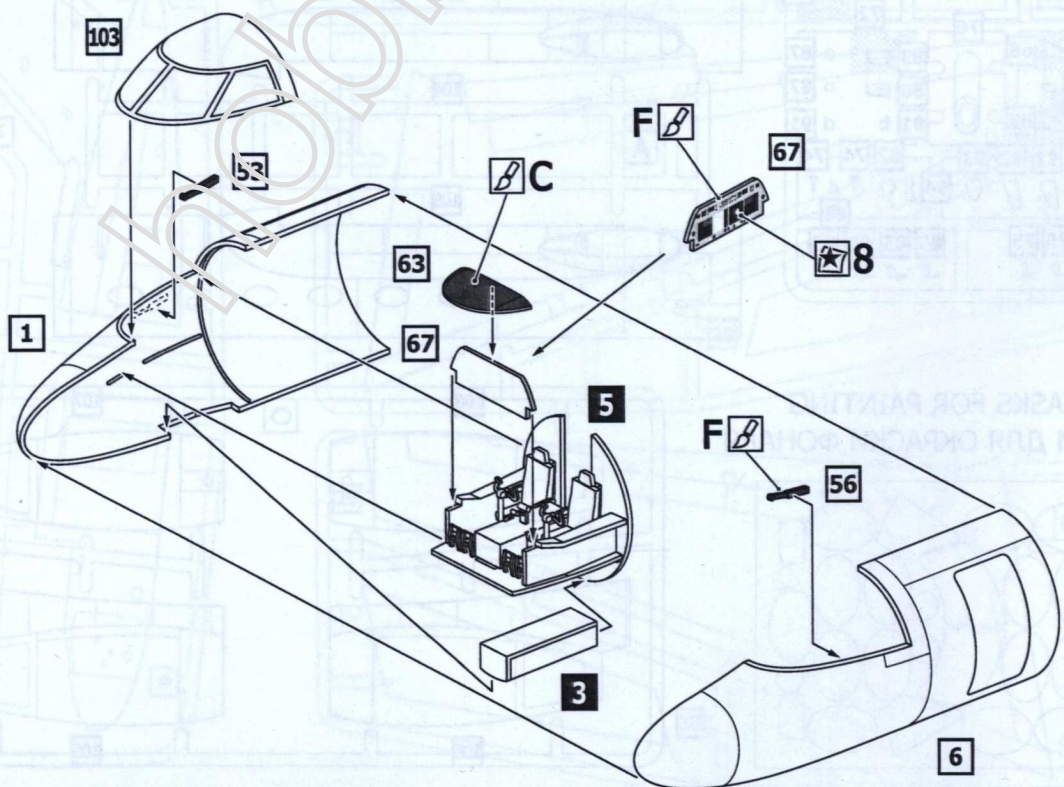
53

56

63

67

103



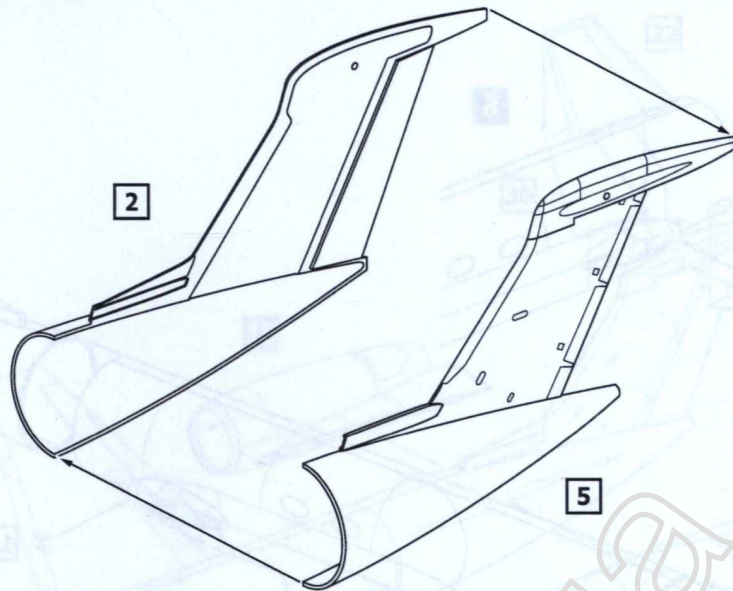
ASSEMBLY INSTRUCTION



7

2

5

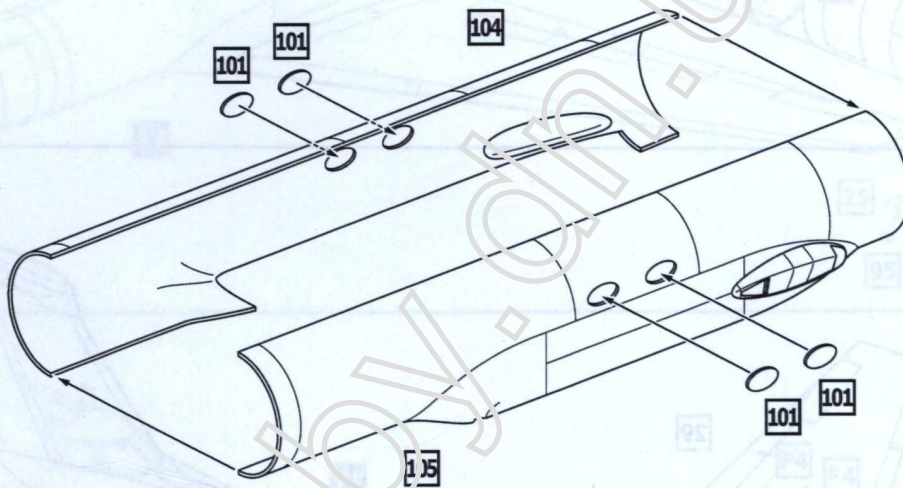


8

101 x4

104

105



9

34

35 x2

36 x2

42

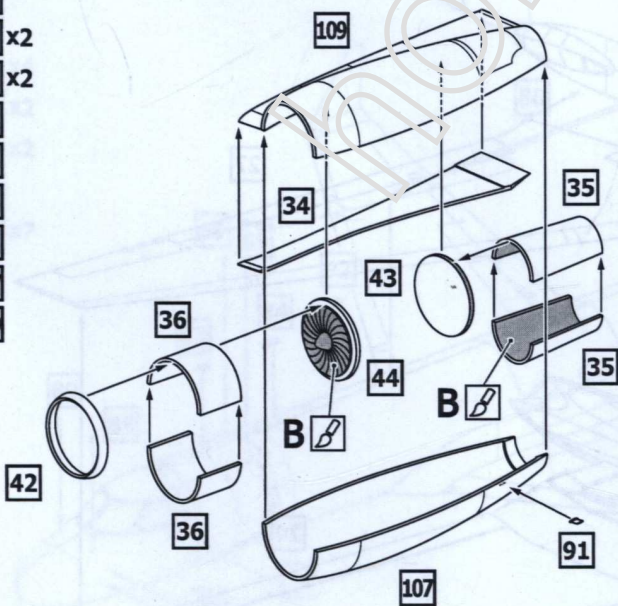
43

44

91

107

109



10

31 x2

32 x2

33

42

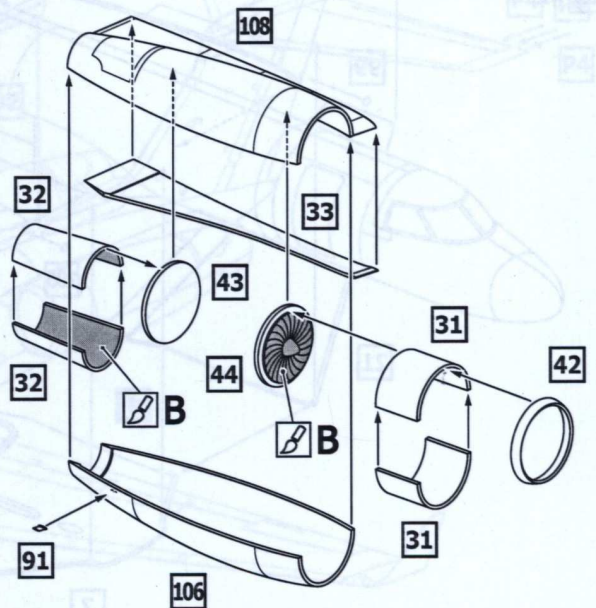
43

44

91

106

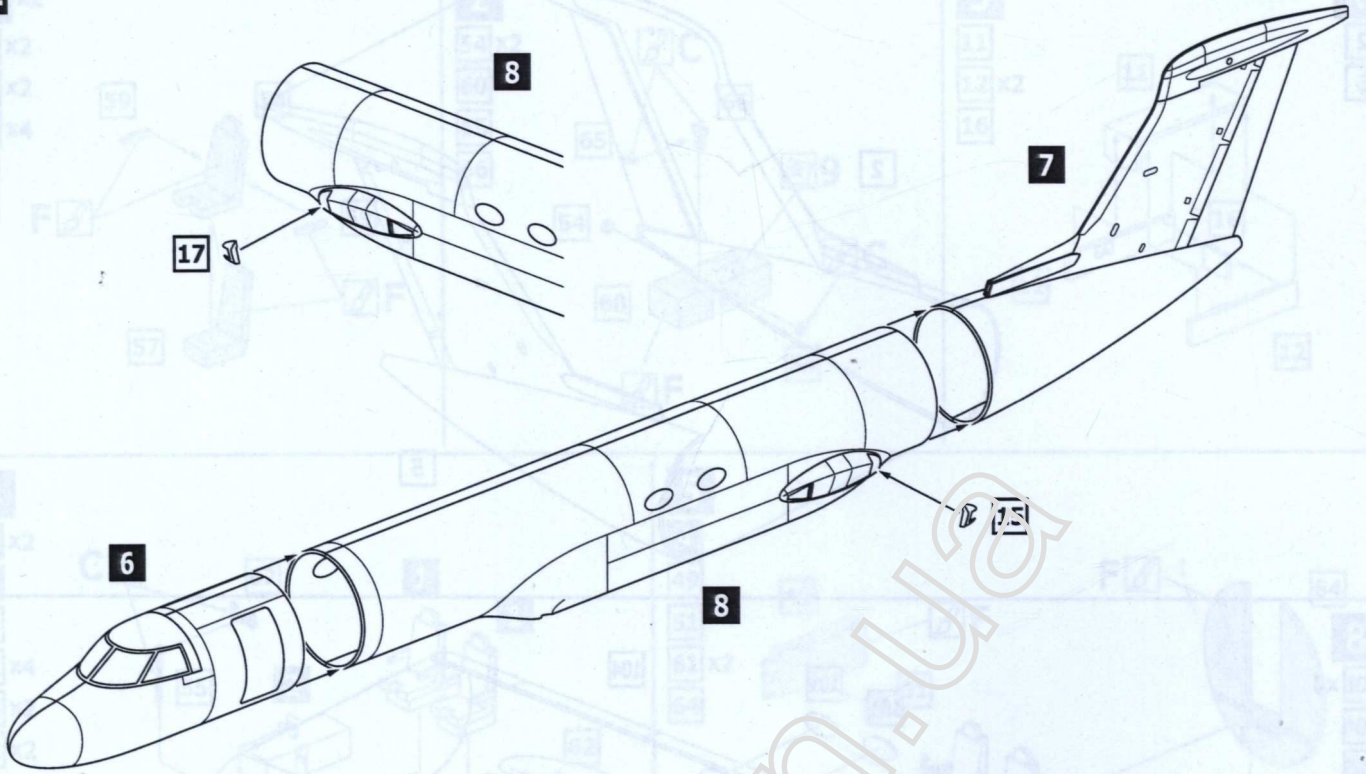
108



ASSEMBLY INSTRUCTION

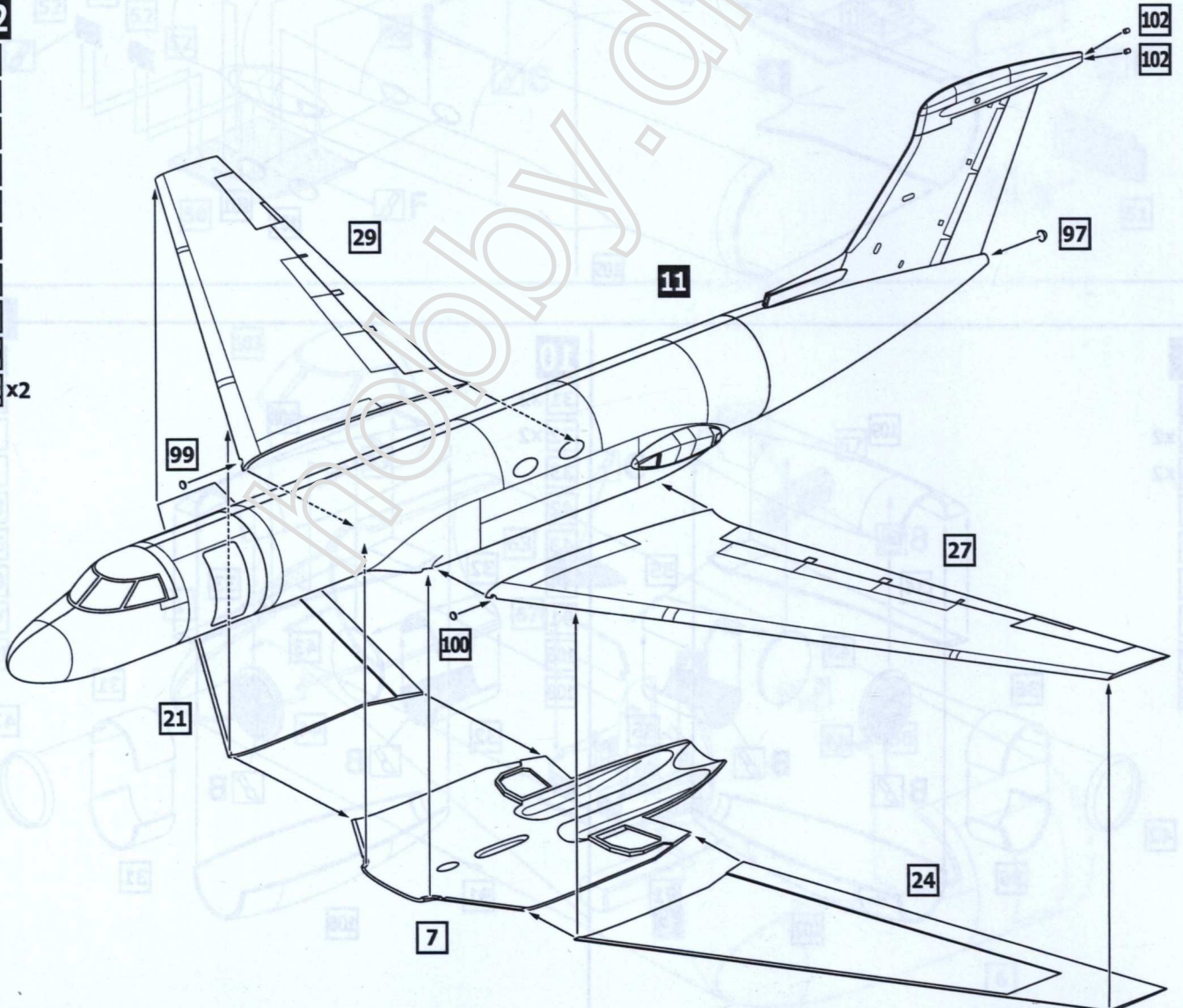


- 11
- 6
- 7
- 8
- 15
- 17



12

- 11
- 7
- 21
- 24
- 27
- 29
- 97
- 99
- 100
- 102 x2



ASSEMBLY INSTRUCTION



13

9

10

12

19

20

22

23

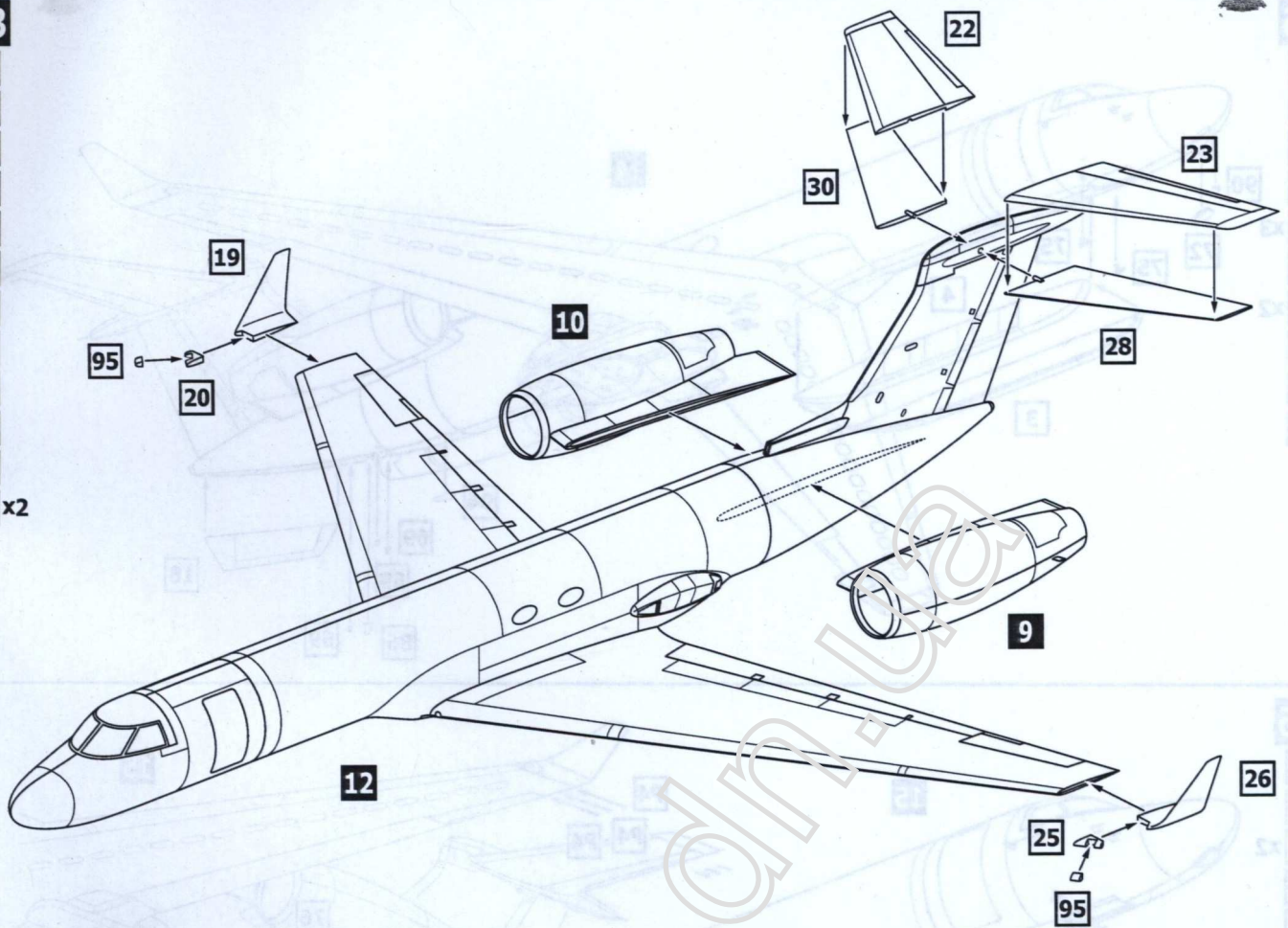
25

26

28

30

95 x2



14

13

69 x2

73

74 x2

80

81

84

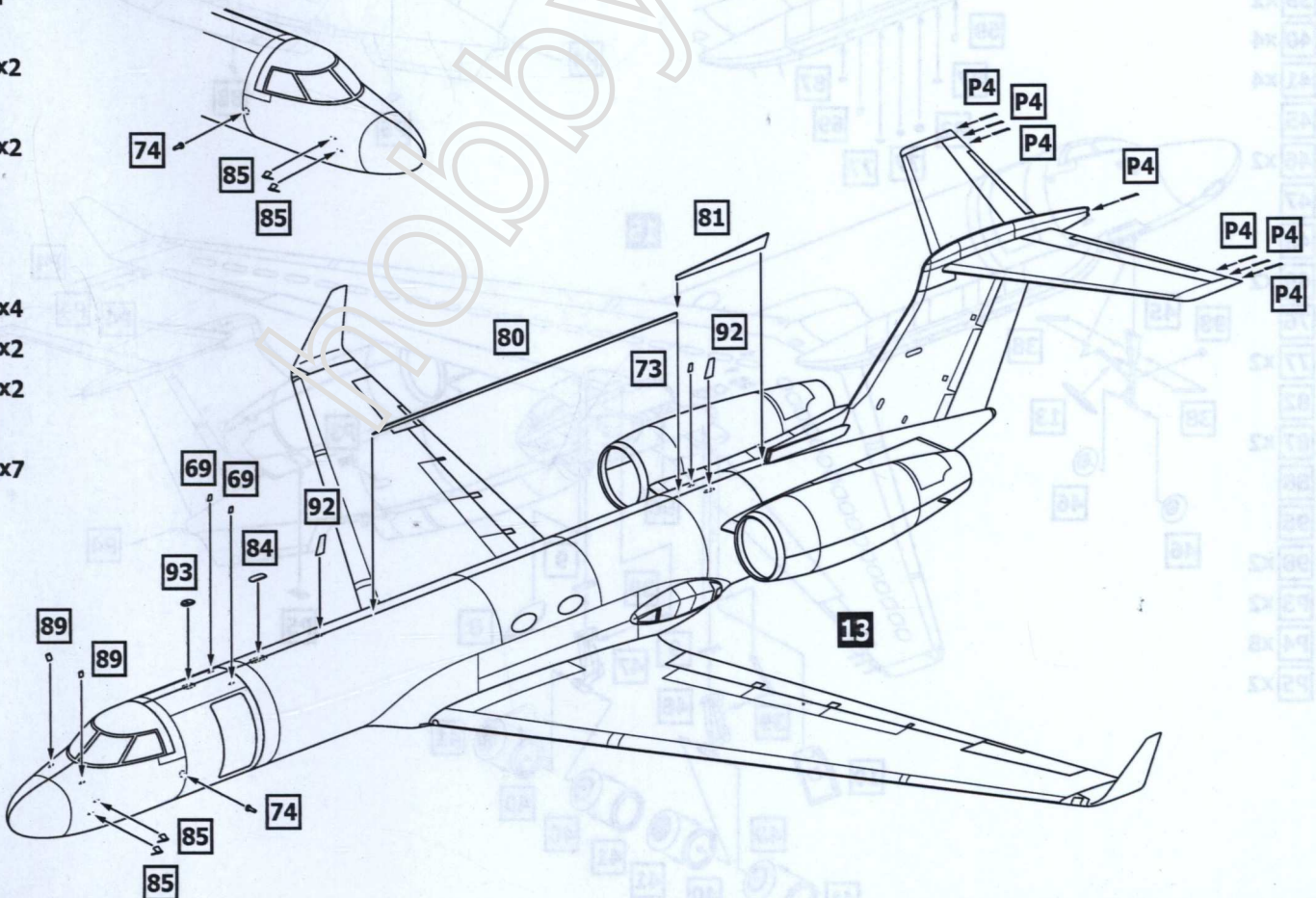
85 x4

89 x2

92 x2

93

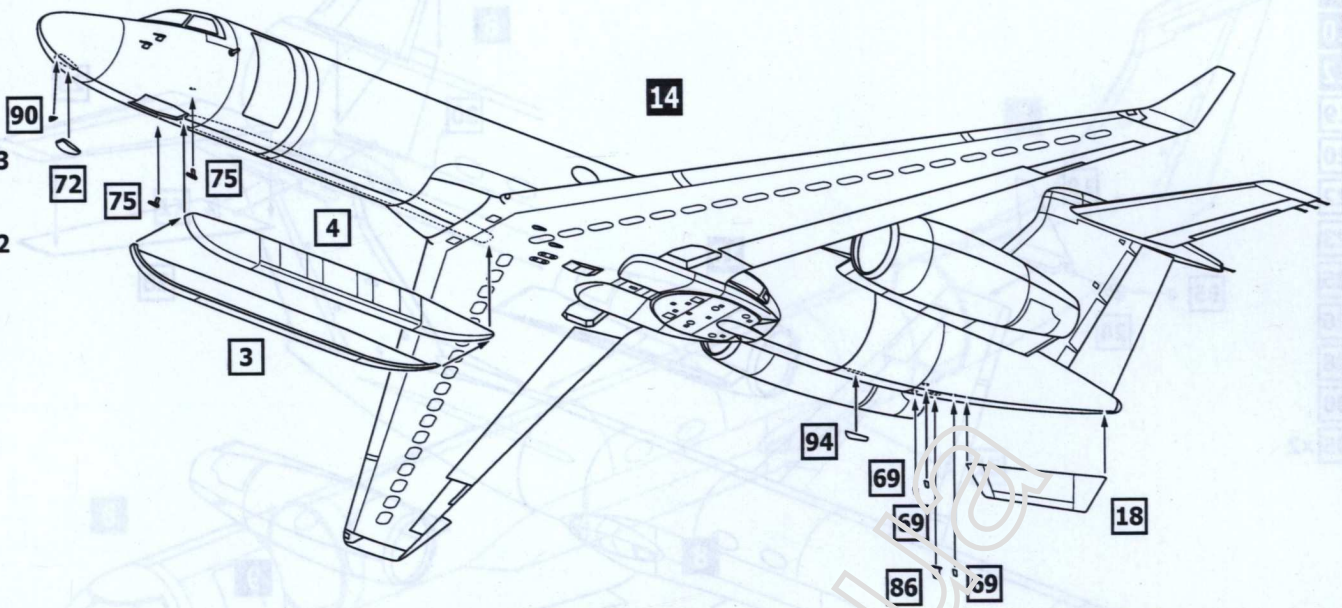
P4 x7



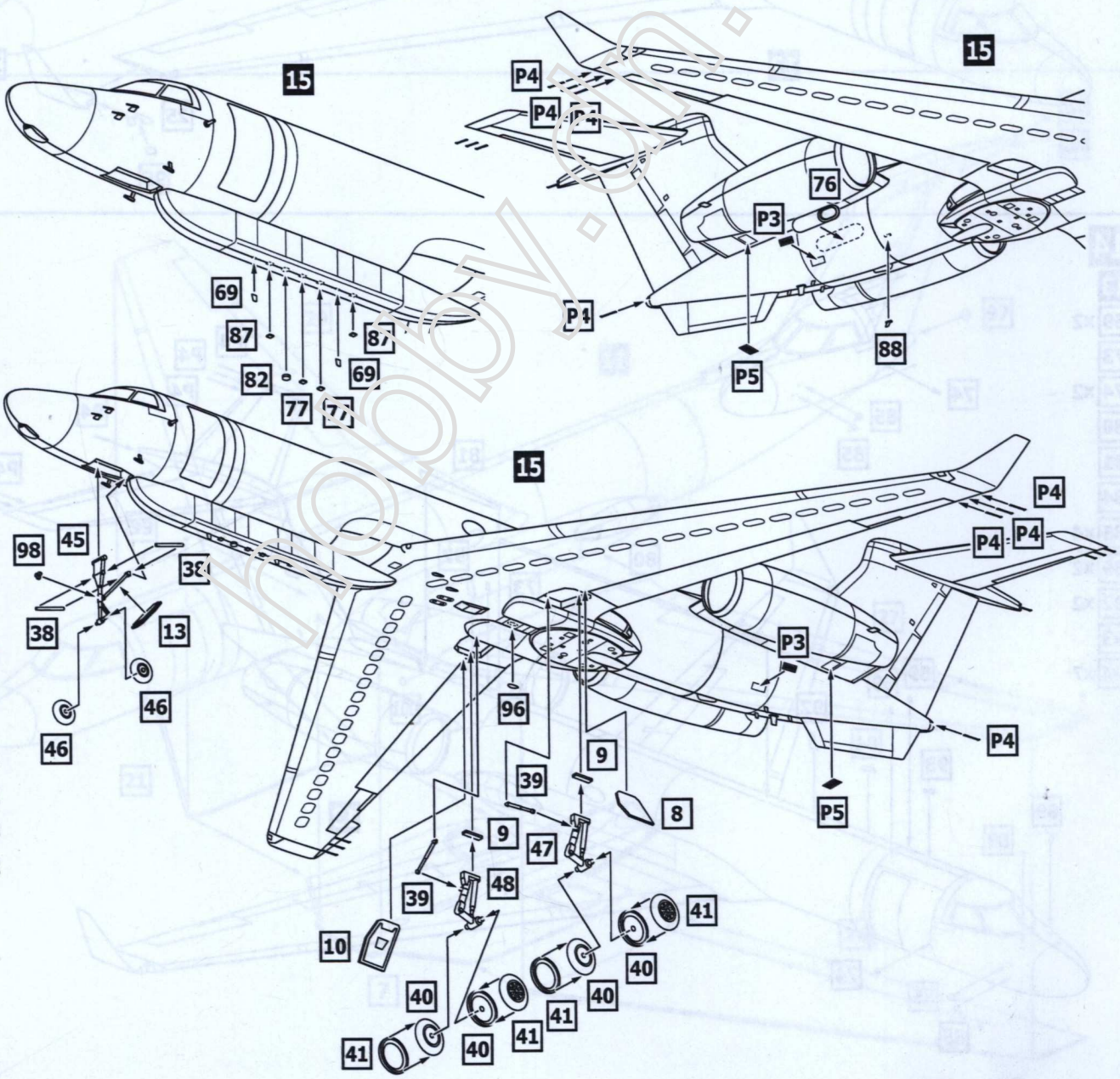
ASSEMBLY INSTRUCTION



- 15**
- 14**
- 3**
- 4**
- 18**
- 69** x3
- 72**
- 75** x2
- 86**
- 90**
- 94**



- 16**
- 15**
- 8**
- 9** x2
- 10**
- 13**
- 38** x2
- 39** x2
- 40** x4
- 41** x4
- 45**
- 46** x2
- 47**
- 48**
- 69** x2
- 76**
- 77** x2
- 82**
- 87** x2
- 88**
- 96**
- 98** x2
- P3** x2
- P4** x8
- P5** x2



MARKING & PAINTING

Gulfstream G-550 JSTARS

