



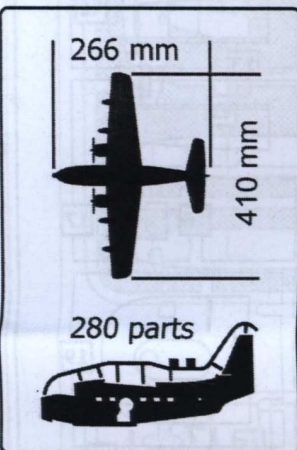
LIMITED EDITION

SOVA-M
SVM-72027

UF-2 Albatross



UNASSEMBLED PLASTIC MODEL KITS SCALE: 1/72



DECALS

ONE VERSION OF COLOURING

First prototype of amphibian airplane rose into the air in October 1947. Good speed characteristics were ensured by two ten-cylinder engines R-1820-76A, 1425 h.p. each. After the test program, US Navy has adopted new hydroplan for armament. First serial amphibians were produced by Grumman company in June 1949 in SA-16A version (Search Amphibian). In January 1956 new version SA-16B was built with the larger wing-span. Hydroplanes were actively used during the Korean war and in Vietnam. After long patrolling, additional fuselage tank and two suspended vessels under the wing were installed – this allowed to prolong the flight, total duration being 12-14 hours. In Korea and in Vietnam crews of amphibians managed to save lives of 229 pilots. In total 464 aircraft were built in various modifications.

PAINTS

A HUMBROL 34 WHITE	B HUMBROL 18 ORANGE
C HUMBROL 123 DARK SEA GREY	D HUMBROL 145 MEDIUM GREY
E HUMBROL 33 BLACK	F HUMBROL 19 RED
G HUMBROL 182 RUBBER	

SYMBOLS

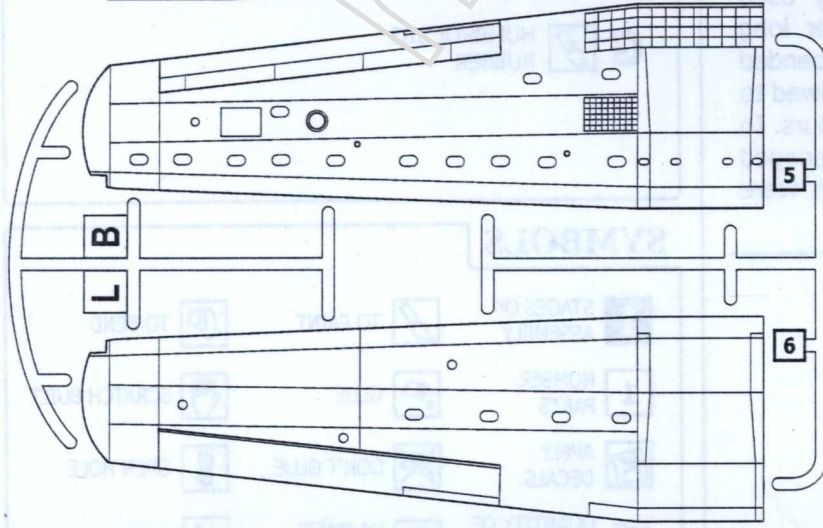
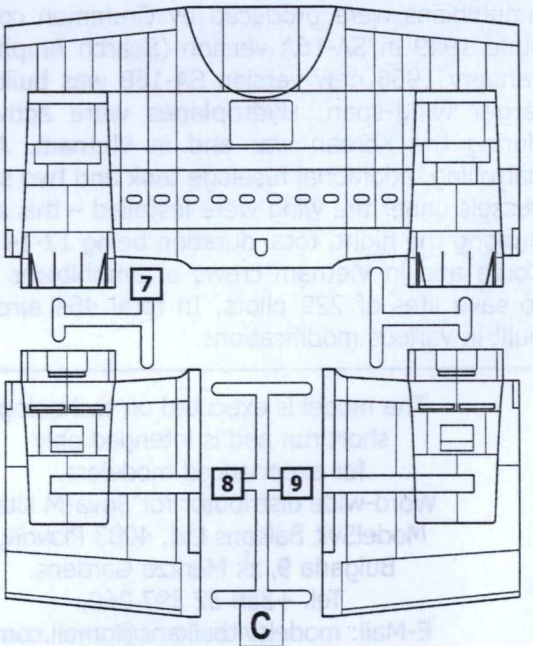
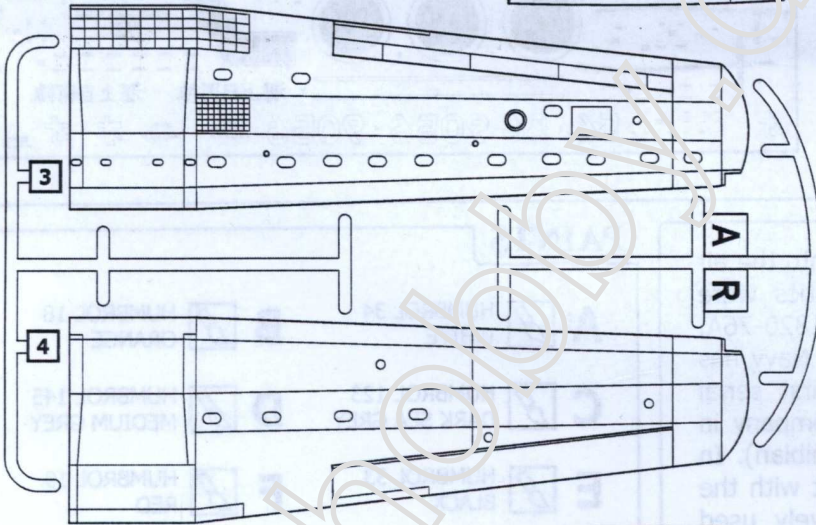
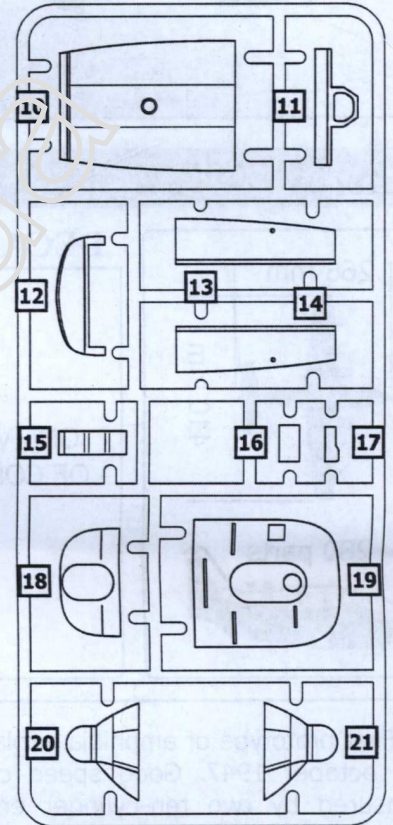
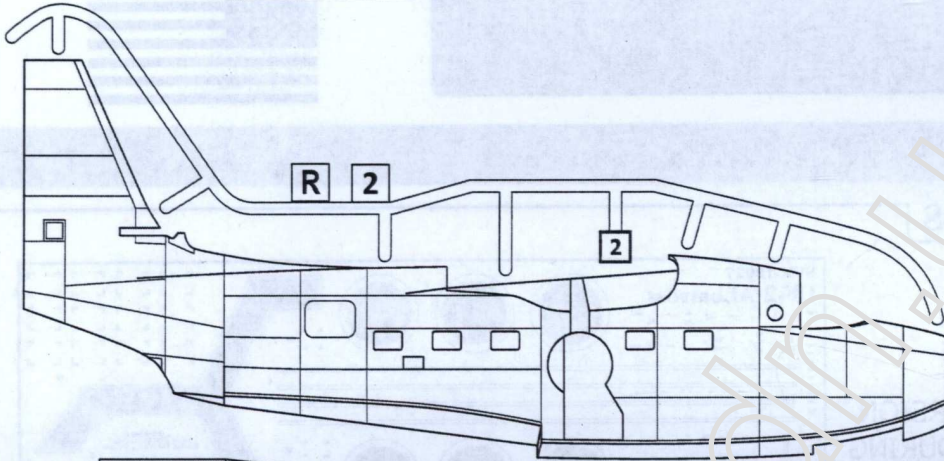
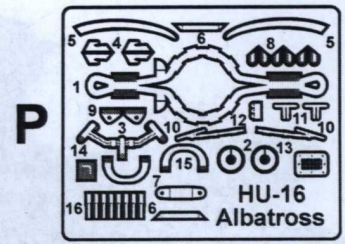
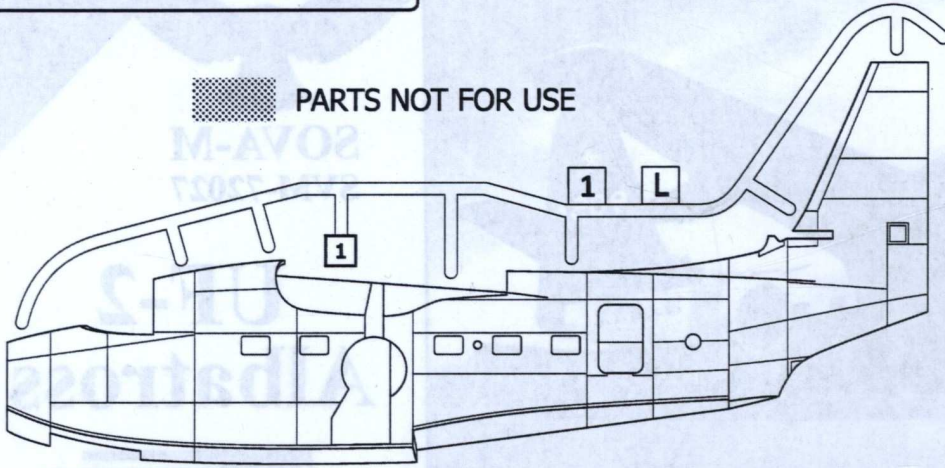
1 STAGES OF ASSEMBLY	TO PAINT	TO BEND
1 NUMBER PARTS	GLUE	SCRATCH BUILT
APPLY DECALS	DON'T GLUE	OPEN HOLE
x2 QUANTITY OF OPERATIONS	НА ВИБІР OPTIONAL	CAT OUT

The model is executed on technology short run and is intended only for experienced modelers.
 World-wide distributor for Sova-M kits:
 ModelSvit Balkans Ltd. 4003 Plovdiv,
 Bulgaria 9, zk Maritza Gardens.
 Tel. +359 32 397 069,
 E-Mail: modelsvitbalkans@gmail.com
 MADE IN UKRAINE

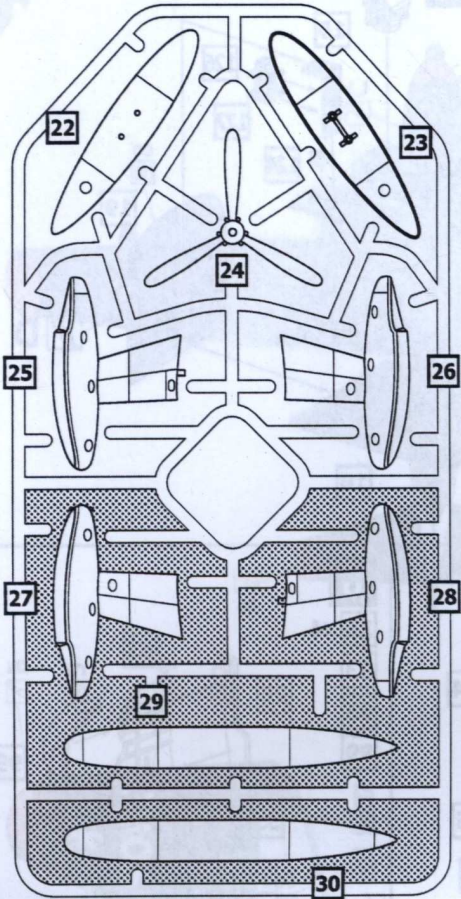
SET OF THE PARTS



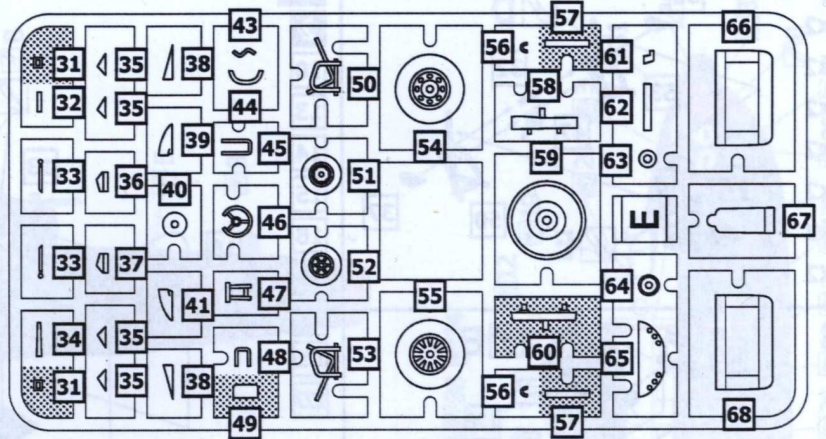
 PARTS NOT FOR USE



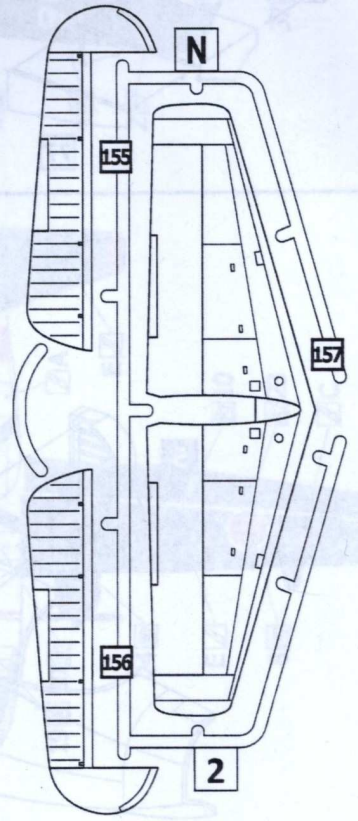
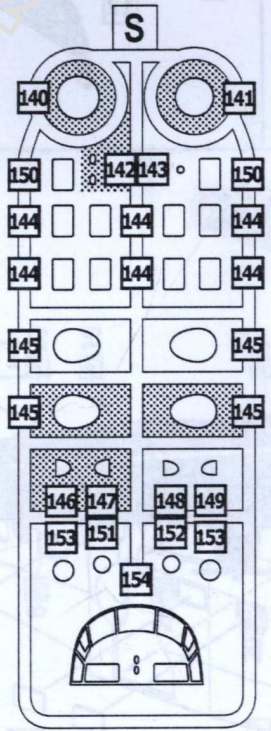
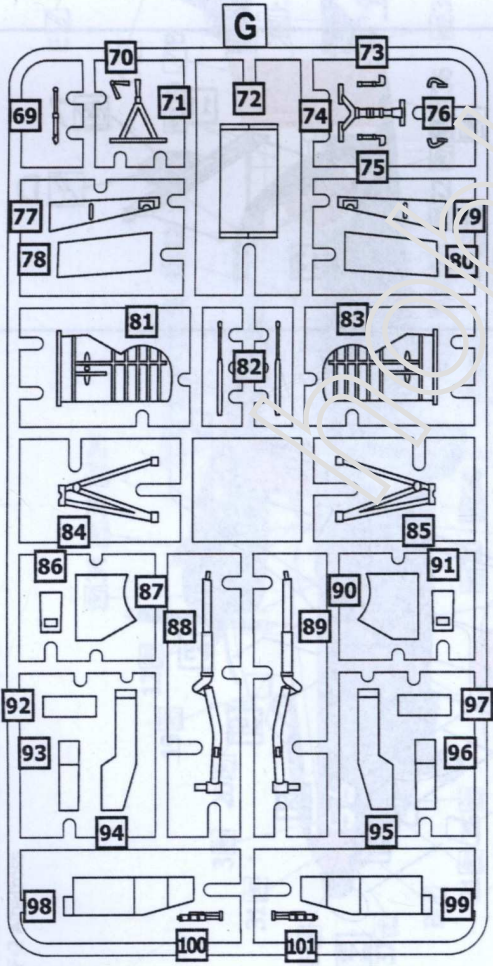
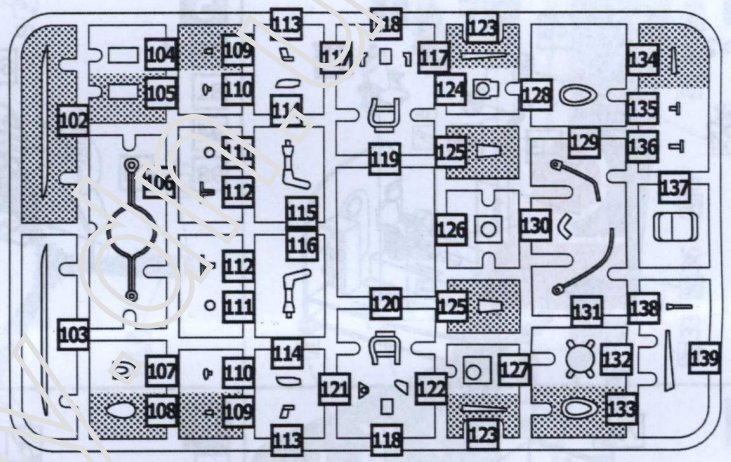
SET OF THE PARTS



x2



x2

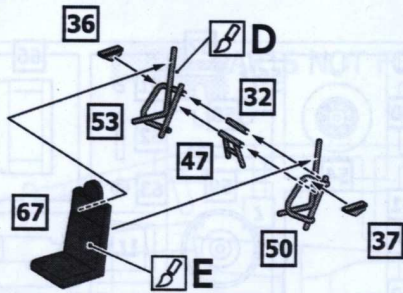


ASSEMBLY INSTRUCTION



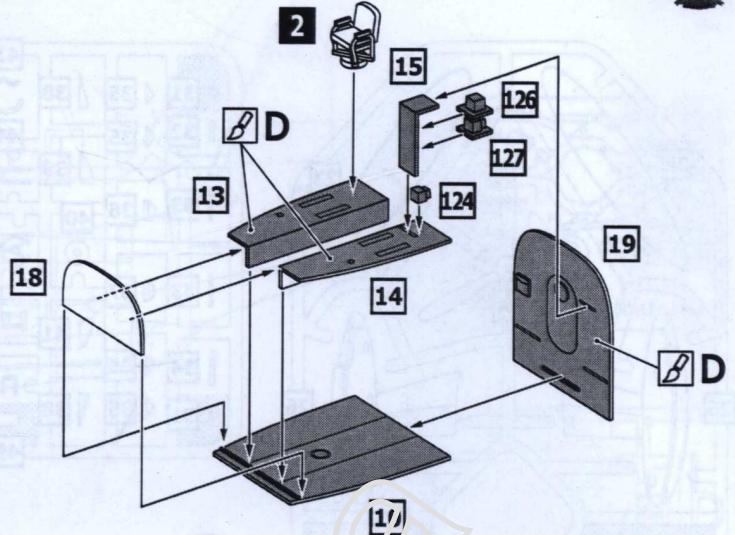
1 x2

- 32 x2
- 36 x2
- 37 x2
- 47 x2
- 50 x2
- 53 x2
- 67 x2



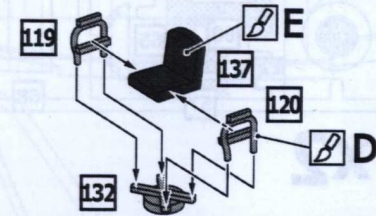
3

- 2
- 10
- 13
- 14
- 15
- 18
- 19
- 124
- 126
- 127



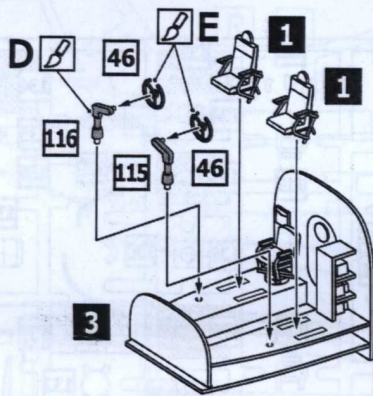
2

- 119
- 120
- 132
- 137



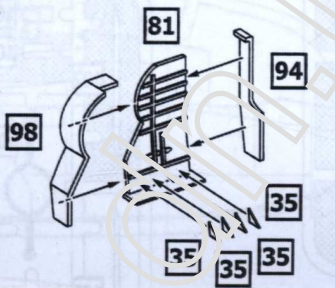
4

- 1 x2
- 3
- 46 x2
- 115
- 116



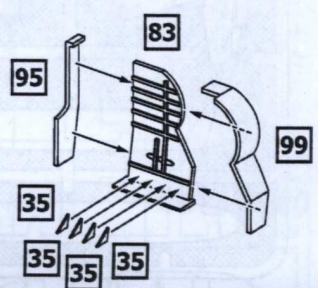
5

- 35 x4
- 81
- 94
- 98



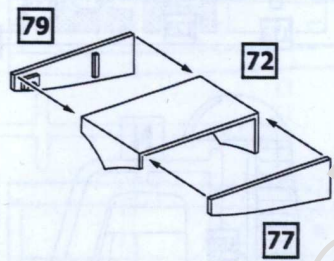
5

- 75 x4
- 83
- 95
- 99



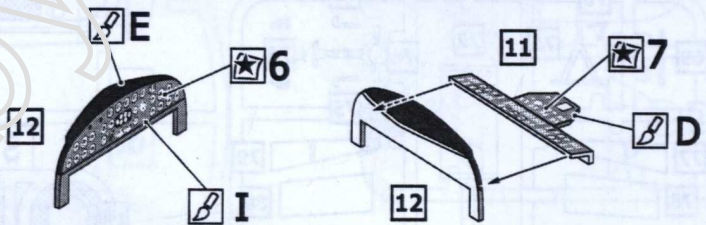
7

- 72
- 77
- 79



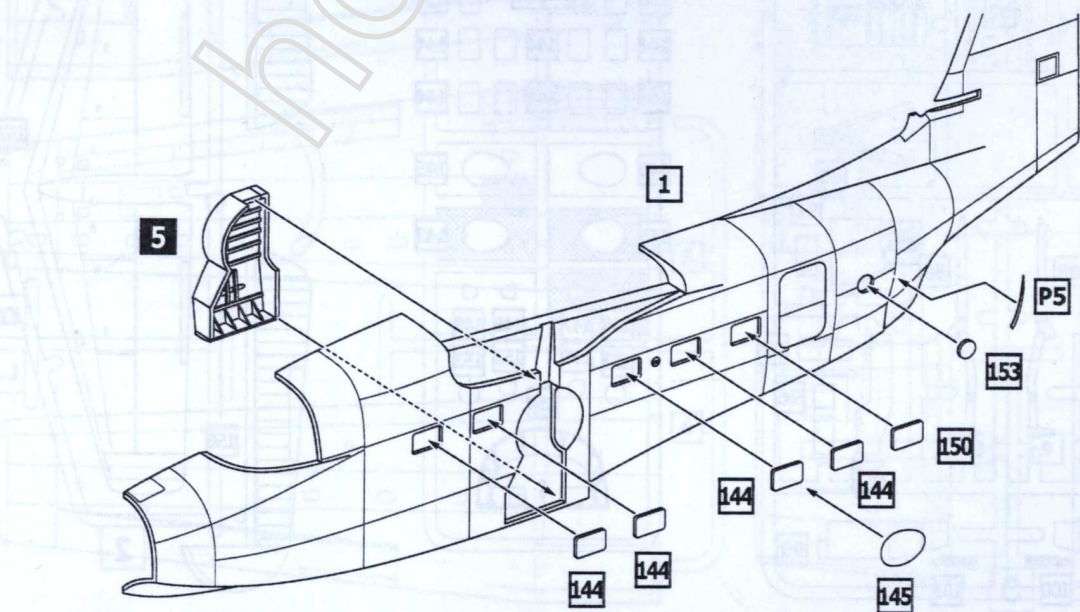
8

- 11
- 12



9

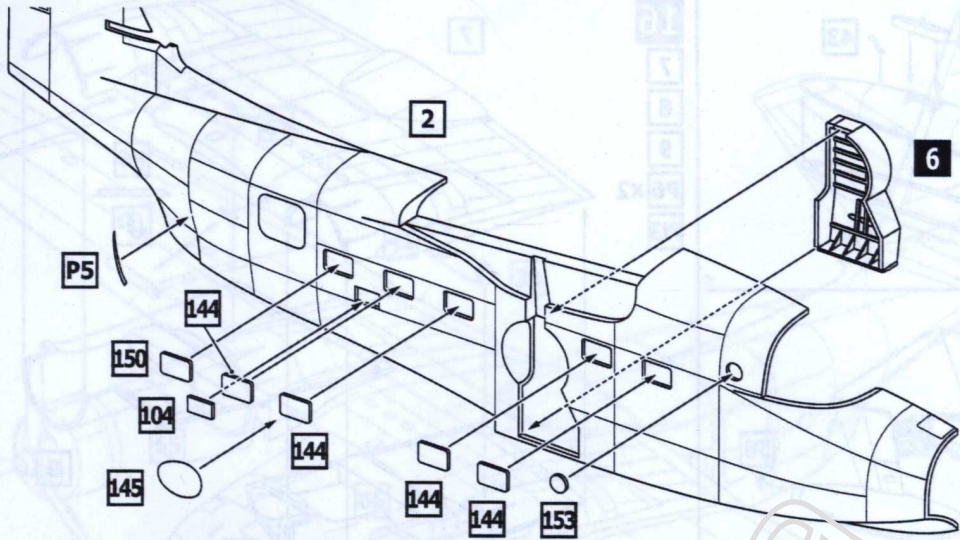
- 5
- 1
- 144 x4
- 145
- 150
- 153
- P5



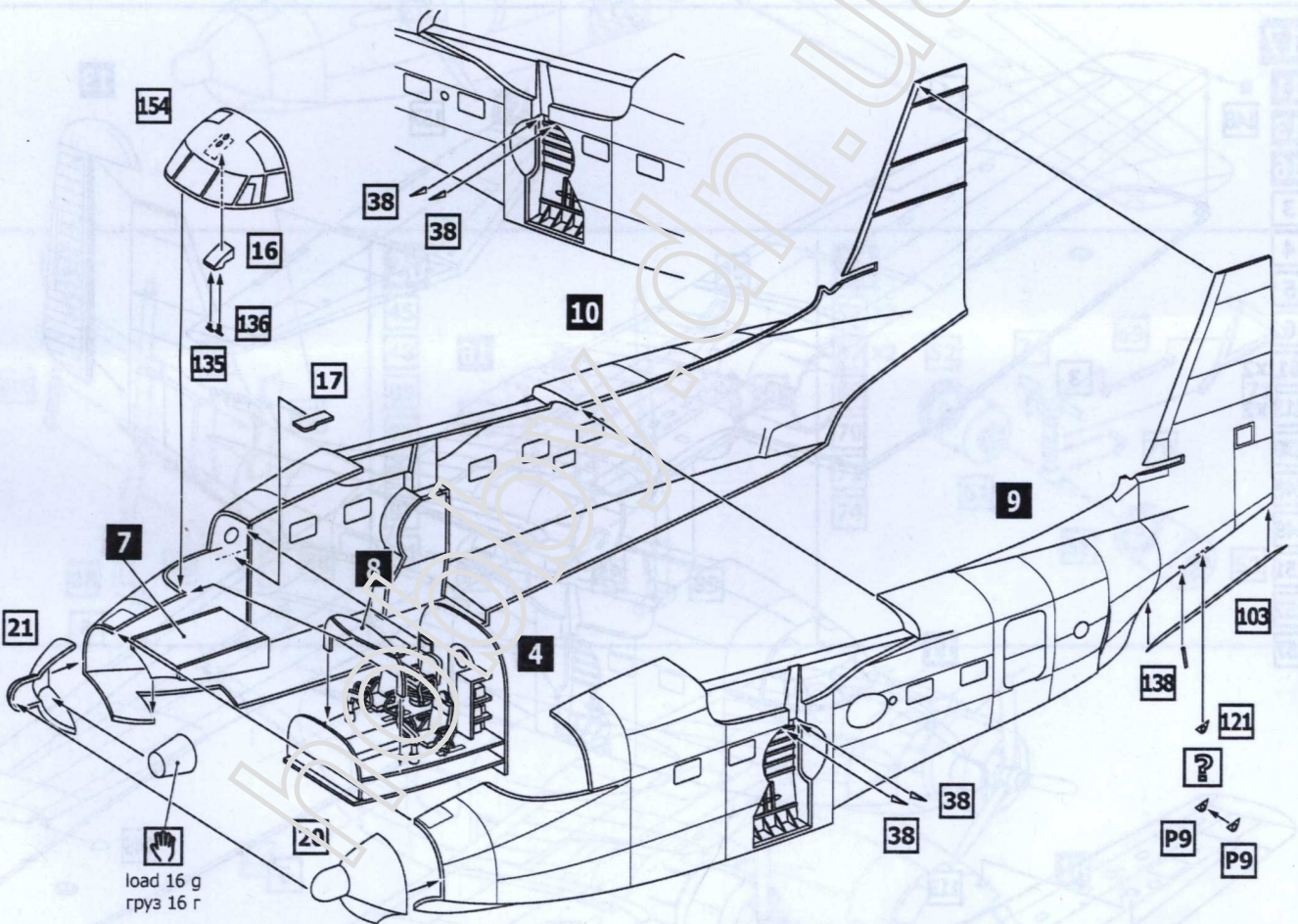
ASSEMBLY INSTRUCTION



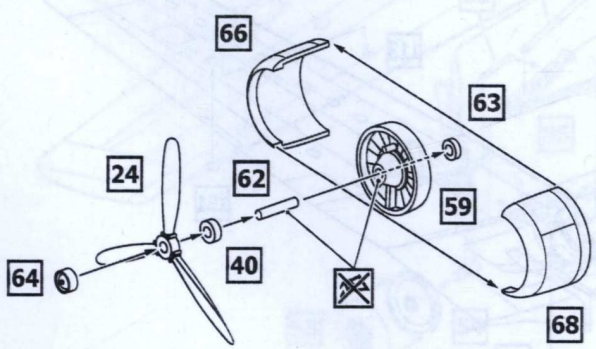
- 10**
- 6**
- 2**
- 104**
- 144** x4
- 145**
- 150**
- 153**
- P5**



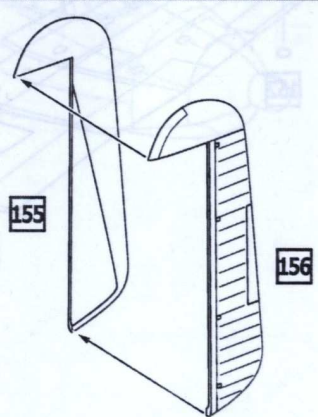
- 11**
- 4**
- 7**
- 8**
- 9**
- 10**
- 16**
- 17**
- 20**
- 21**
- 38** x4
- 103**
- 121**
- 135**
- 136**
- 138**
- 154**
- P9** x2



- 12** x2
- 24** x2
- 40** x2
- 59** x2
- 62** x2
- 63** x2
- 64** x2
- 66** x2
- 68** x2



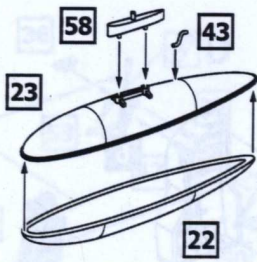
- 13**
- 155**
- 156**



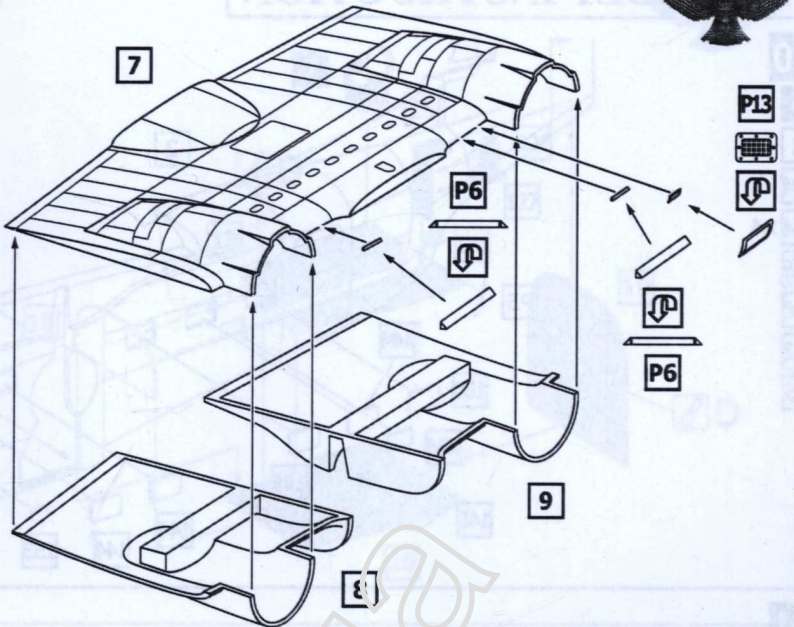
ASSEMBLY INSTRUCTION



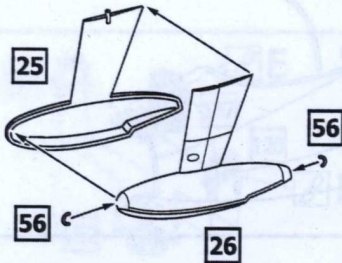
- 14** x2
- 22** x2
- 23** x2
- 43** x2
- 58** x2



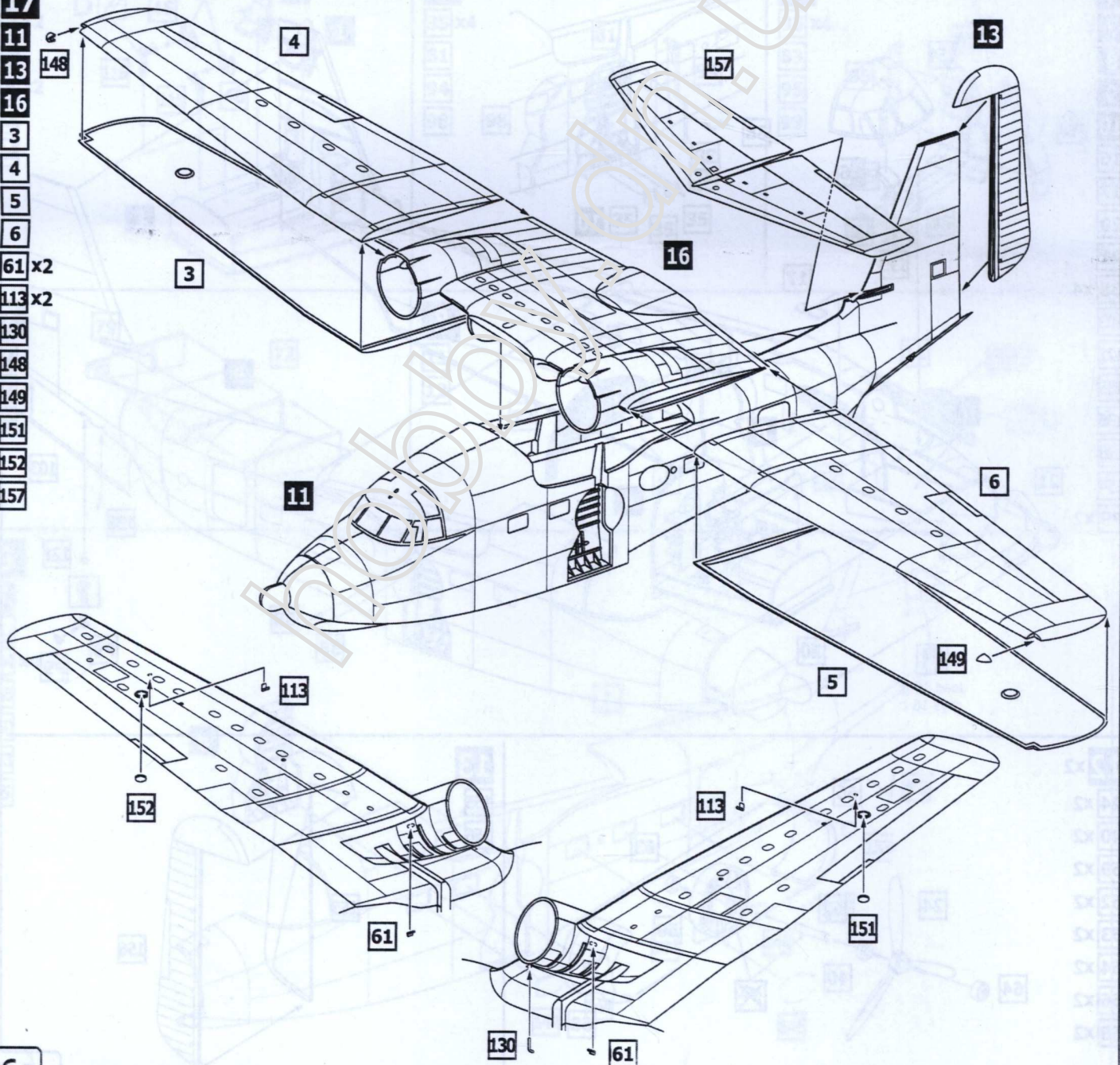
- 16**
- 7**
- 8**
- 9**
- P6** x2
- P13**



- 15** x2
- 25** x2
- 26** x2
- 56** x4



- 17**
- 11**
- 13** 148
- 16**
- 3**
- 4**
- 5**
- 6**
- 61** x2
- 113** x2
- 130**
- 148**
- 149**
- 151**
- 152**
- 157**



ASSEMBLY INSTRUCTION



18

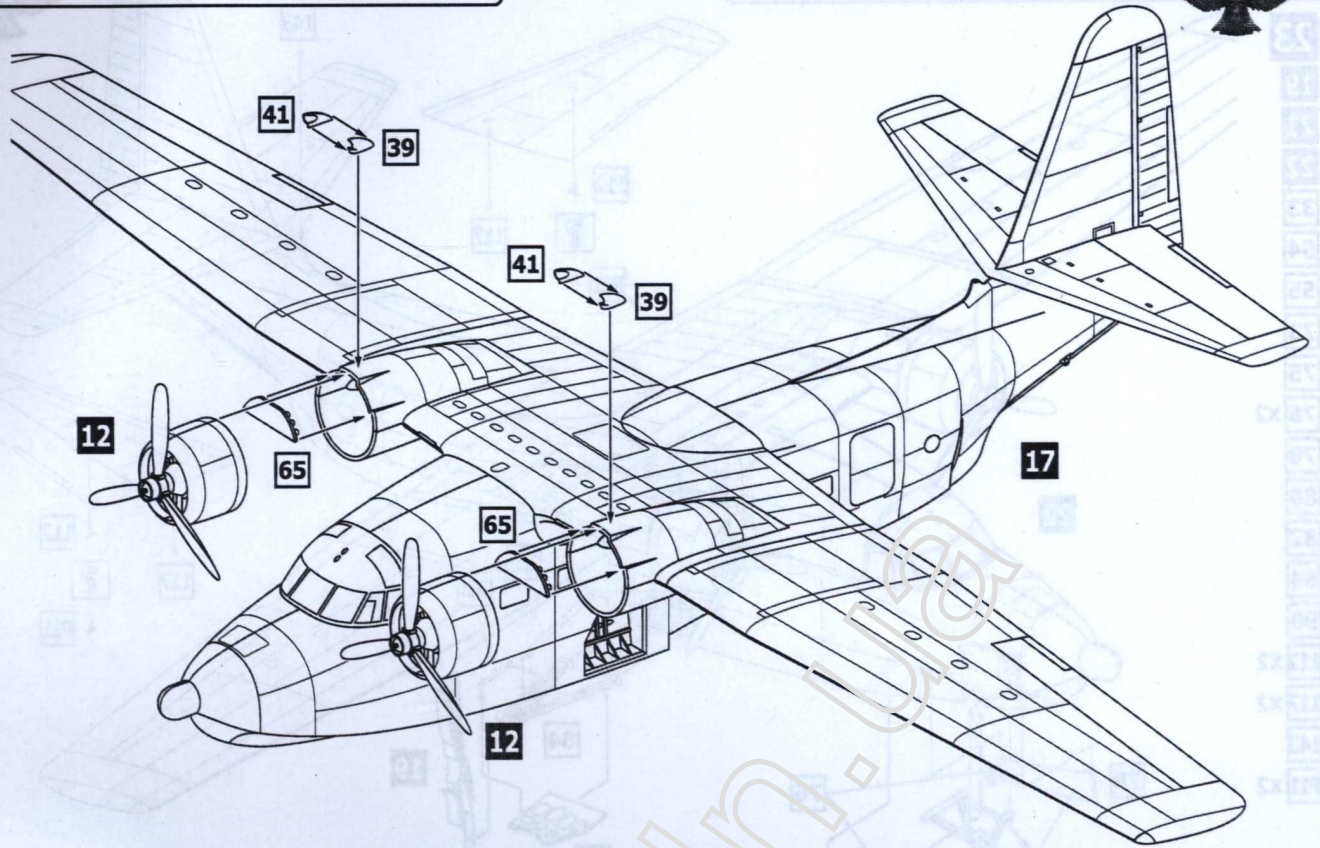
12 x2

17

39 x2

41 x2

65 x2



19

45

48

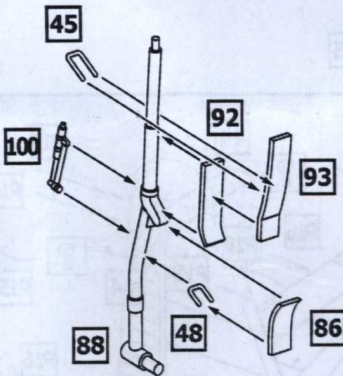
86

88

92

93

100



20

45

48

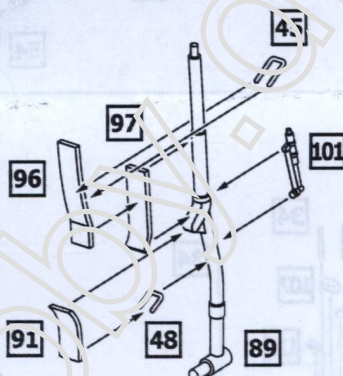
89

91

96

97

101



21

51 x2

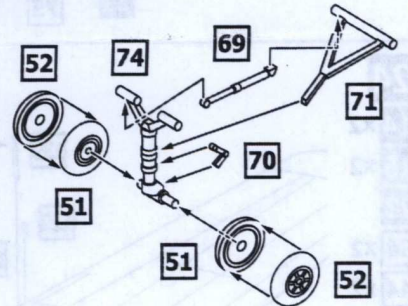
52 x2

69

70

71

74



22

18

20

33

54

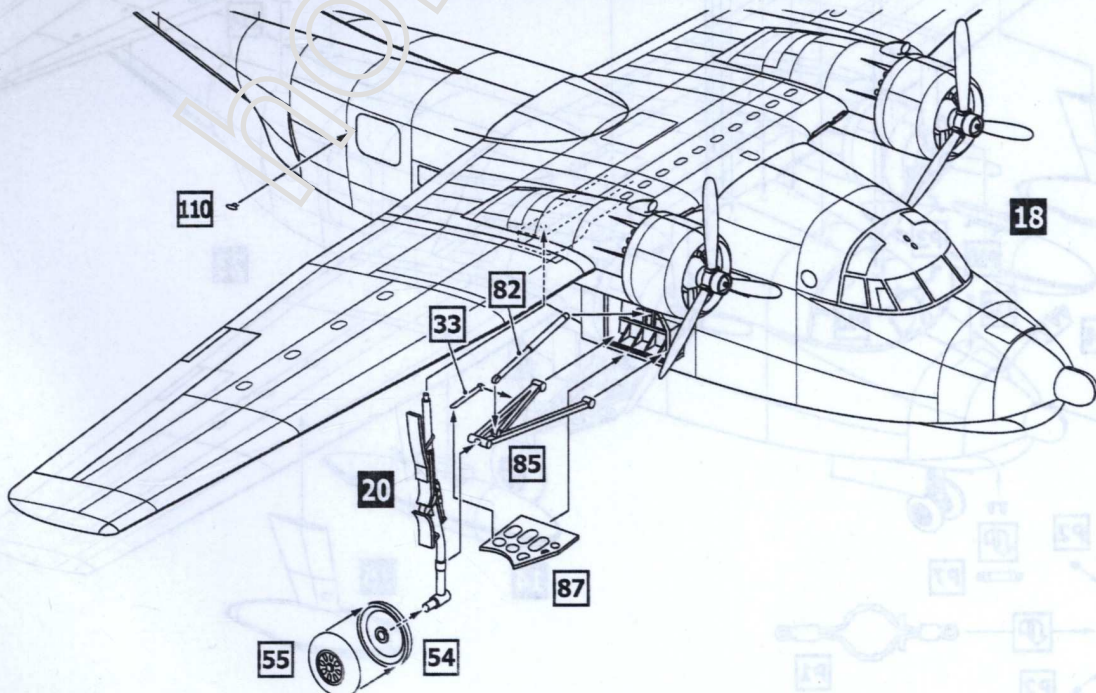
55

82

85

87

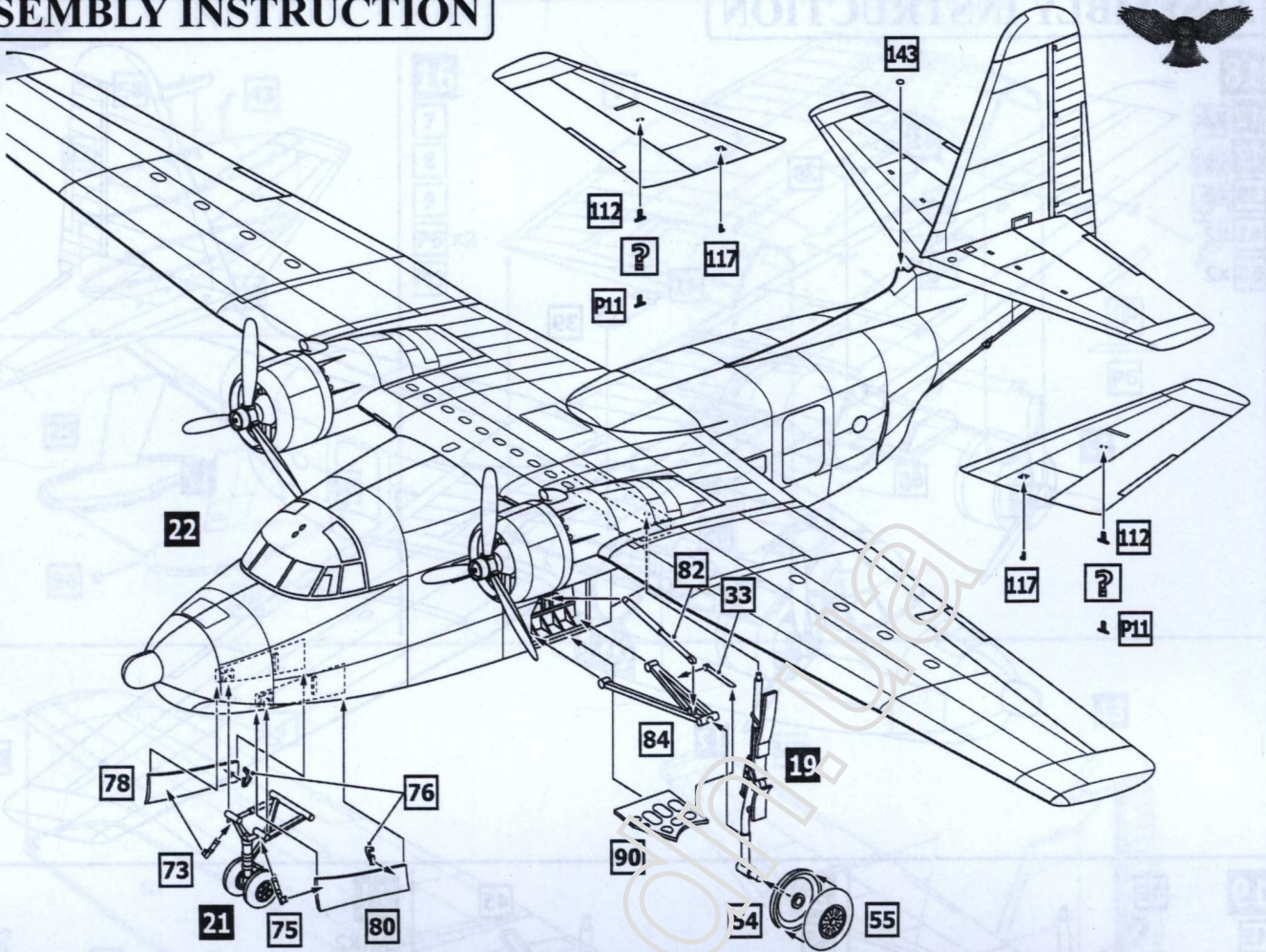
110



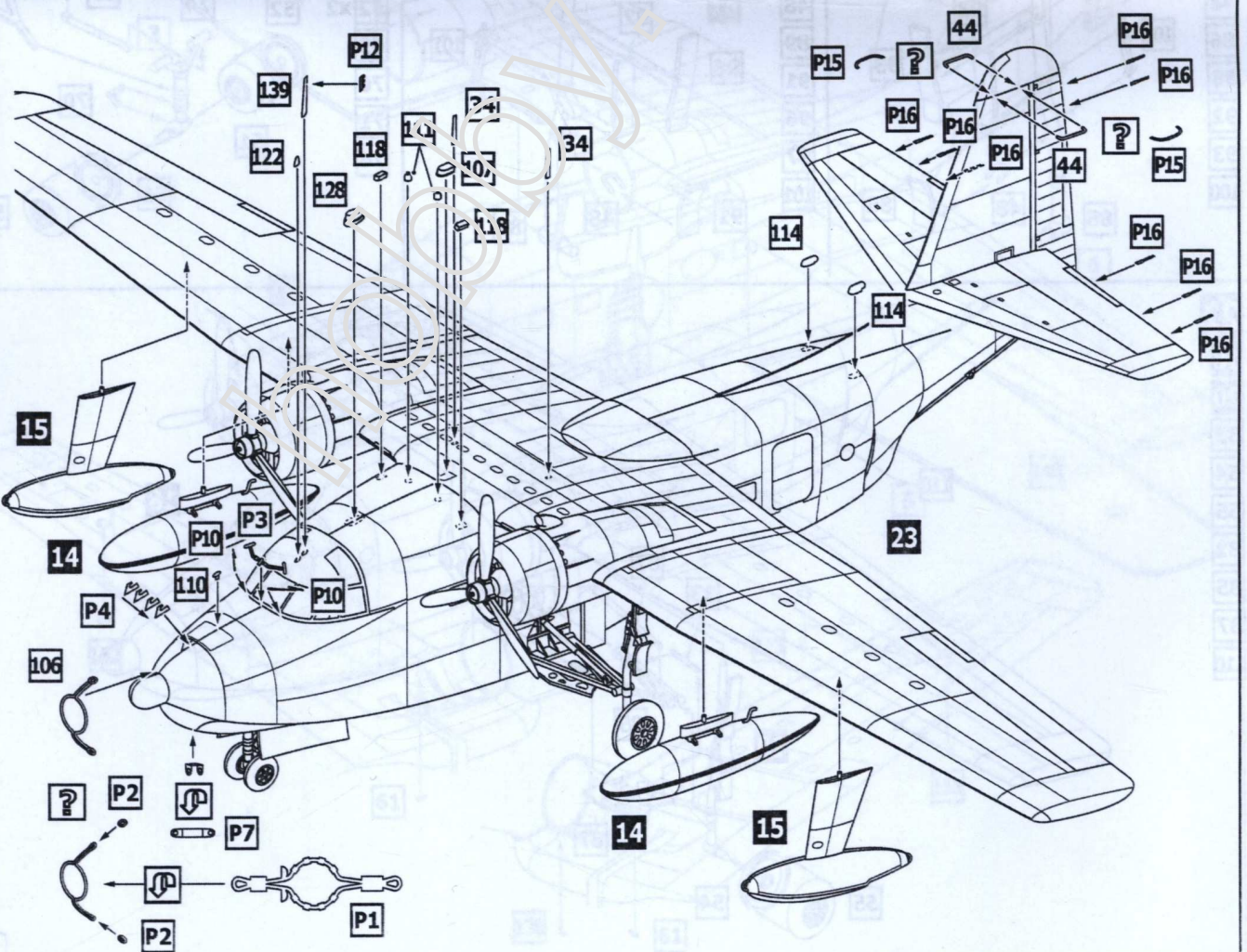
ASSEMBLY INSTRUCTION



- 23**
- 19**
- 21**
- 22**
- 33**
- 54**
- 55**
- 73**
- 75**
- 76** x2
- 78**
- 80**
- 82**
- 84**
- 90**
- 112** x2
- 117** x2
- 143**
- P11** x2



- 24**
- 14** x2
- 15** x2
- 23**
- 34** x2
- 44** x2
- 106**
- 107**
- 110**
- 111** x2
- 114** x2
- 118** x2
- 122**
- 128**
- 139**
- P1**
- P2** x2
- P3**
- P4** x4
- P7**
- P10** x2
- P12**
- P15** x2
- P16** x8



MARKING & PAINTING

UF-2 Albatross

