



LIMITED EDITION

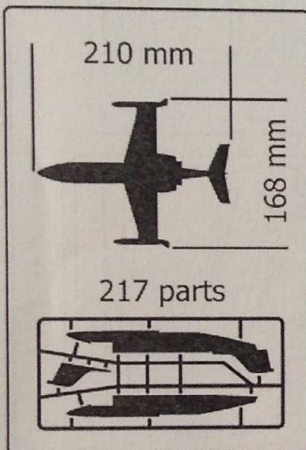
SOVA-M  
SVM-72028

Learjet 35A

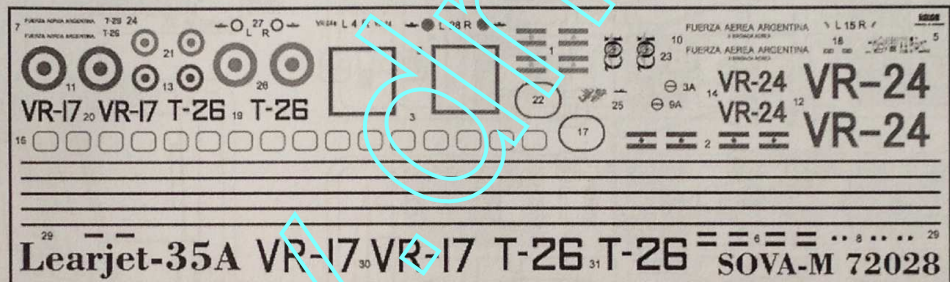


UNASSEMBLED PLASTIC MODEL KITS

SCALE:1/72



DECALS



THREE VERSIONS OF COLOURING

VR-17  
72028

The Learjet Model 35 and Model 36 are a series of American multi-role business jets and military transport aircraft manufactured by Learjet. When used by the United States Air Force they carry the designation C-21A. Its cabin can be arranged for 6-8 passengers. The longer-range Model 36 has a shortened passenger area to provide more space in the aft fuselage for fuel tanks. This testbed aircraft first flew in May, 1971.

The model is executed on technology short run and is intended only for experienced modelers.  
Word-wide distributor for Sova-M kits:  
ModelSvit Balkans Ltd. 4003 Plovdiv,  
Bulgaria 9, zk Maritza Gardens.  
Tel. +359 32 397 069,  
E-Mail: modelsvitbalkans@gmail.com  
MADE IN UKRAINE

PAINTS


- |                                       |                                  |
|---------------------------------------|----------------------------------|
| <b>A</b> HUMBROL 127 GHOST GREY       | <b>B</b> HUMBROL 22 WHITE        |
| <b>C</b> HUMBROL 27002 POL. ALUMINIUM | <b>D</b> HUMBROL 27004 GUN METAL |
| <b>E</b> HUMBROL 145 MEDIUM GREY      | <b>F</b> HUMBROL 33 BLACK        |
| <b>G</b> HUMBROL 11 SILVER            | <b>H</b> HUMBROL 19 RED          |

SYMBOLS

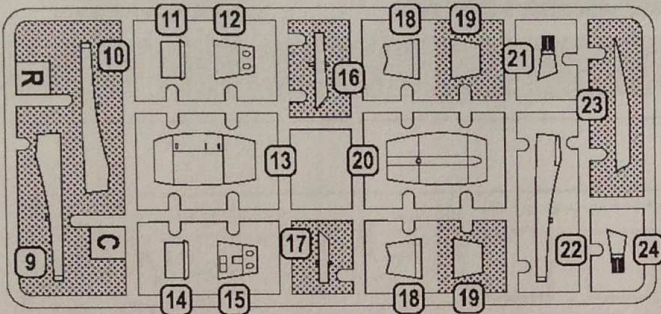
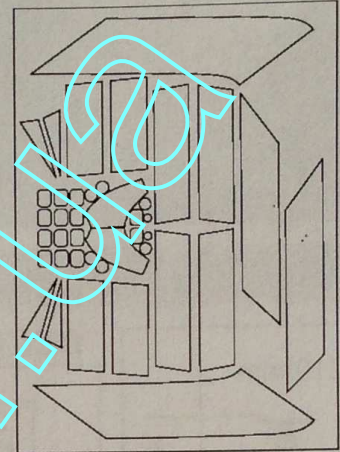
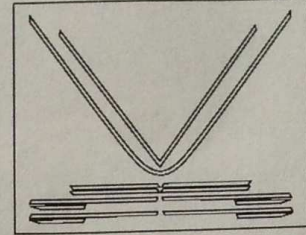
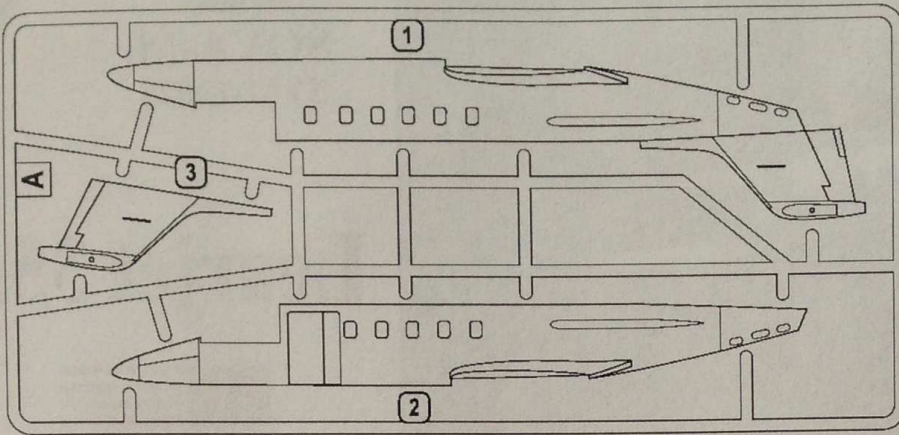
- |                                  |                   |               |
|----------------------------------|-------------------|---------------|
| <b>1</b> STAGES OF ASSEMBLY      | TO PAINT          | TO BEND       |
| <b>1</b> NUMBER PARTS            | GLUE              | SCRATCH BUILT |
| APPLY DECALS                     | DON'T GLUE        | OPEN HOLE     |
| <b>x2</b> QUANTITY OF OPERATIONS | НА ВИБІР OPTIONAL | CAT OUT       |

# SET OF THE PARTS

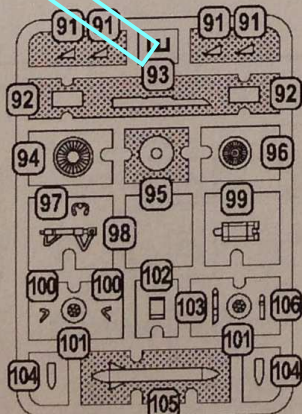
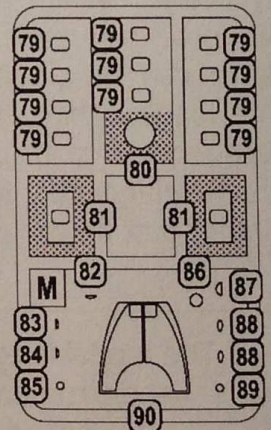
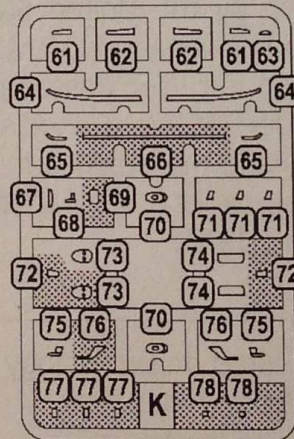
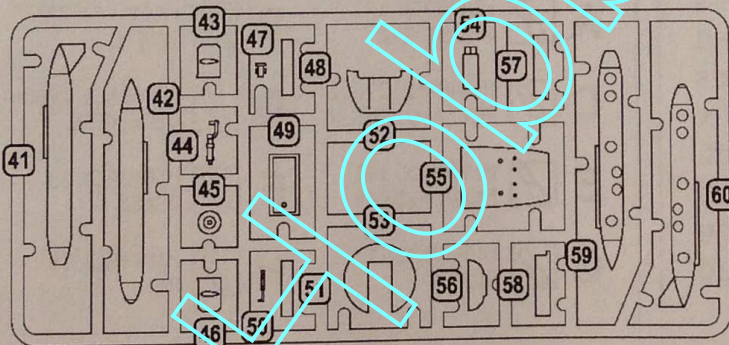
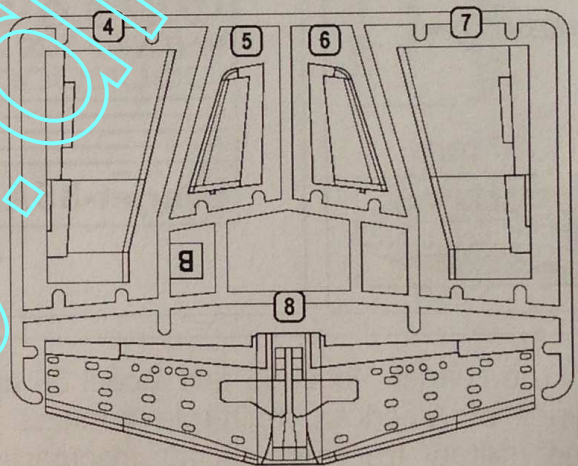
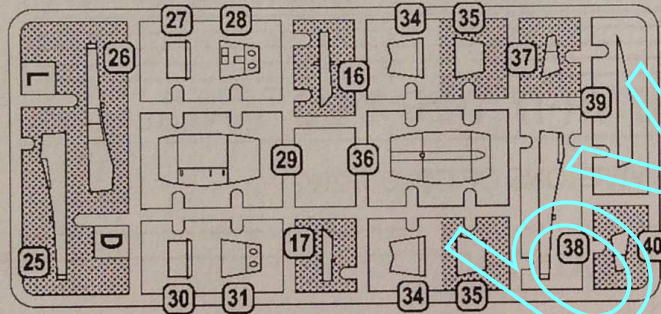
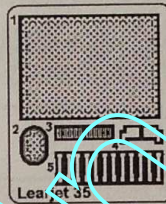


 PARTS NOT FOR USE

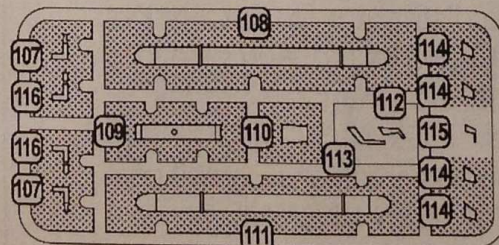
MASKS FOR PAINTING



**P**

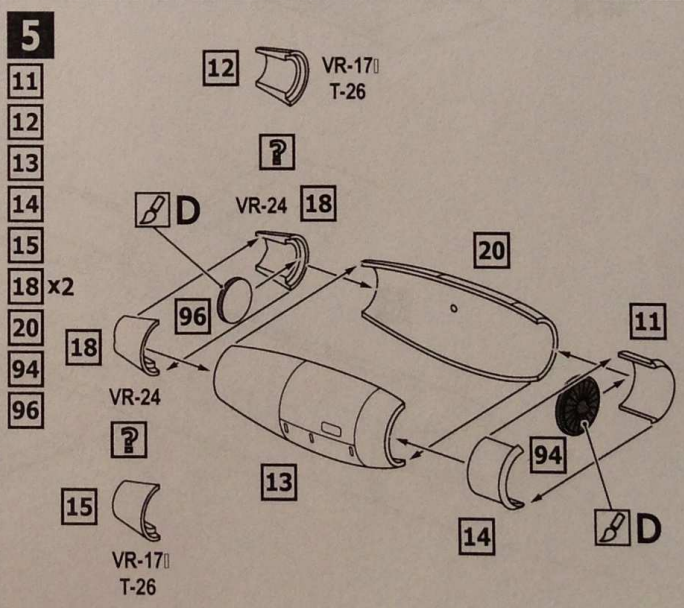
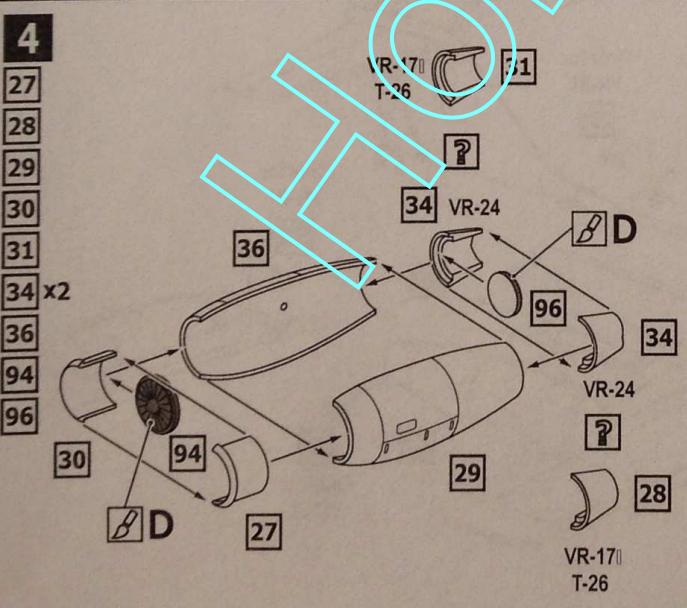
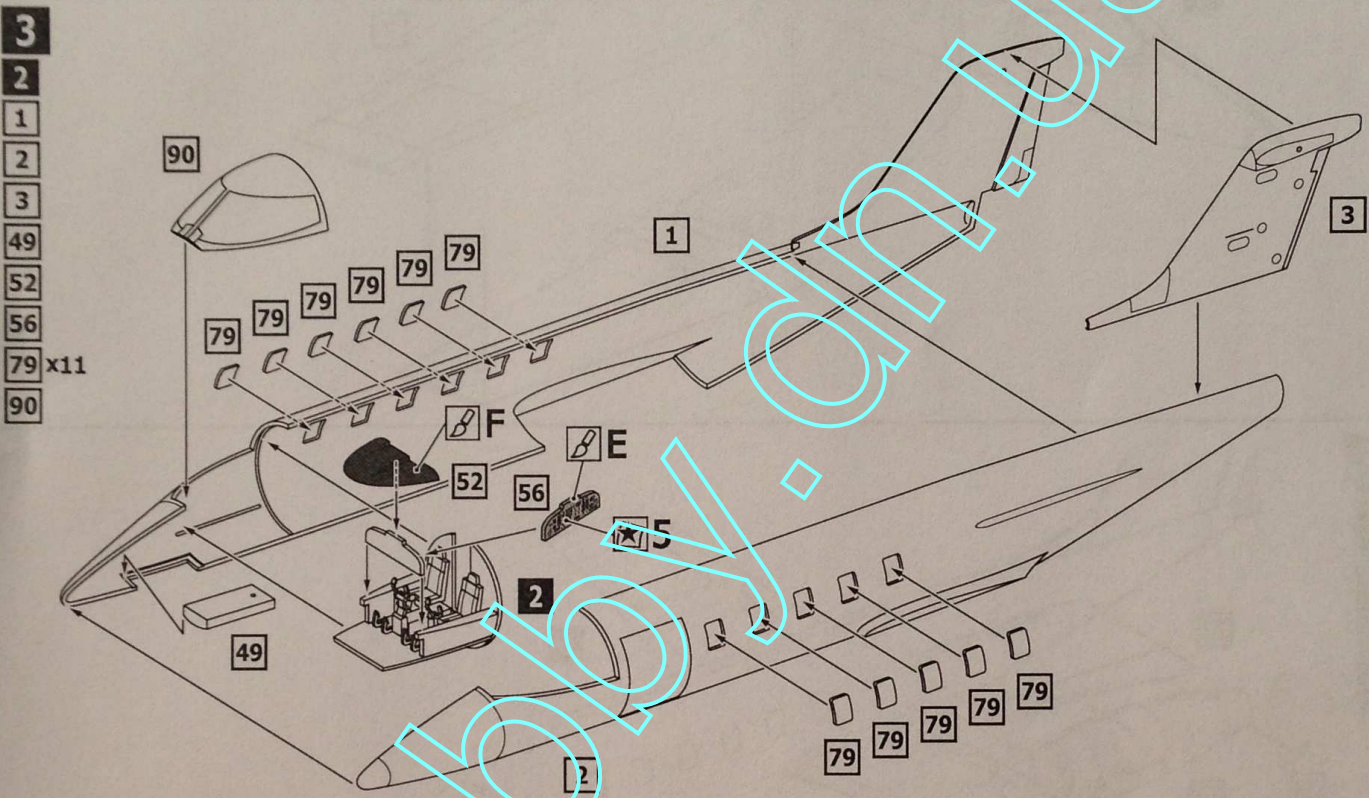
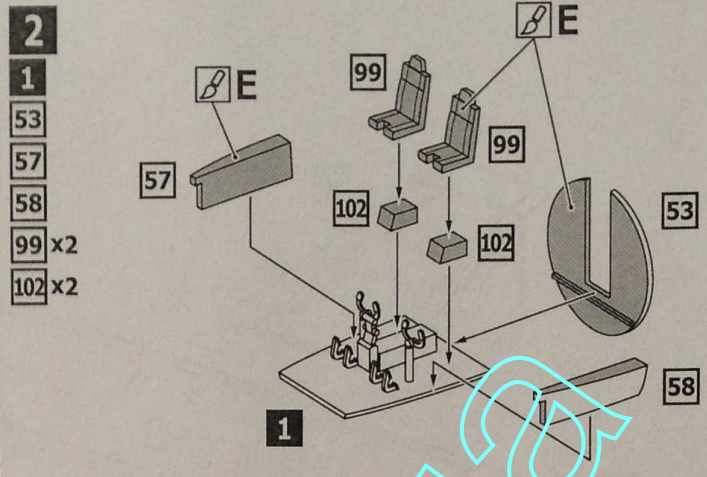
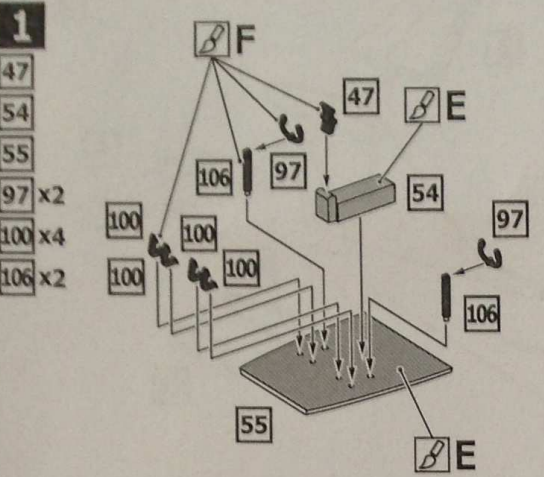


**x2**



**x2**

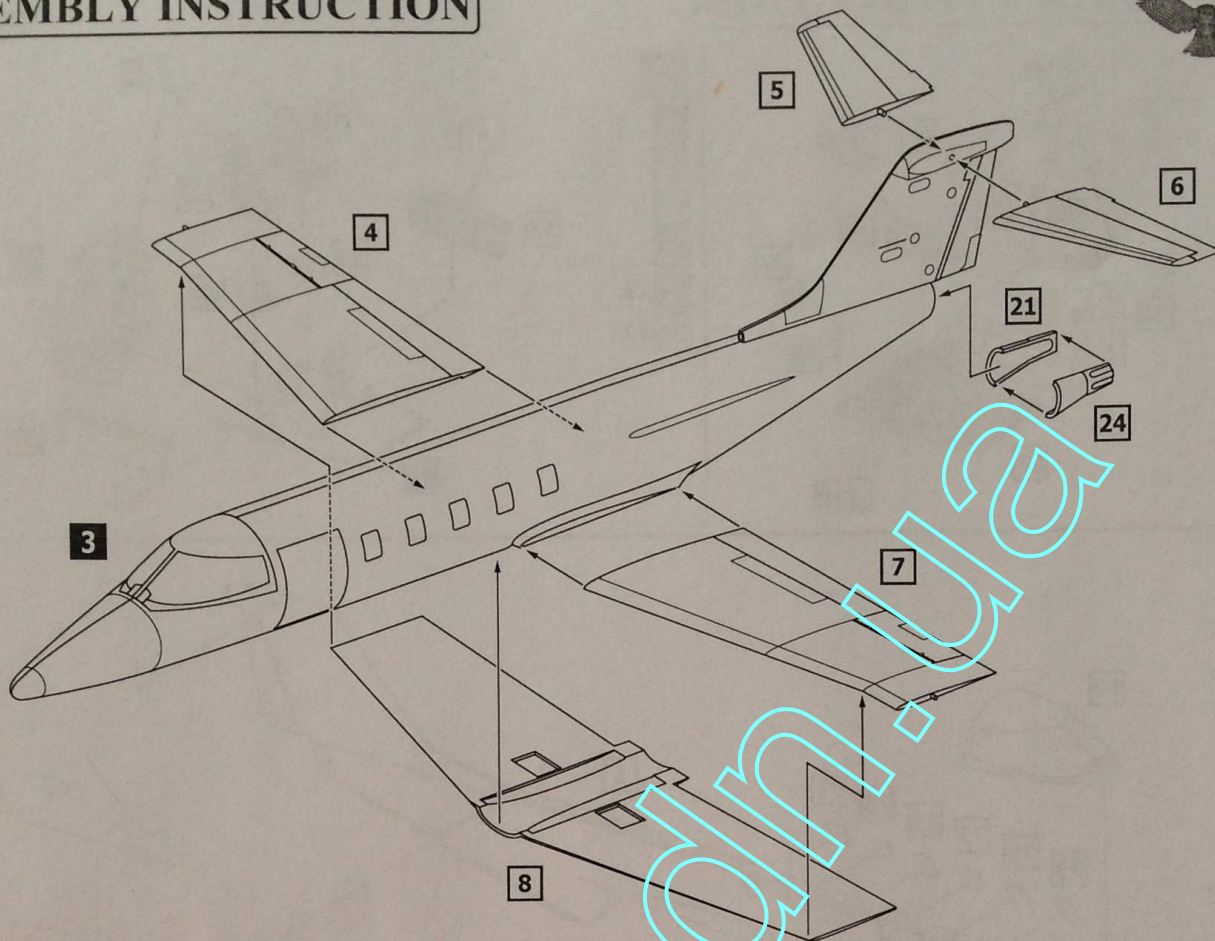
# ASSEMBLY INSTRUCTION



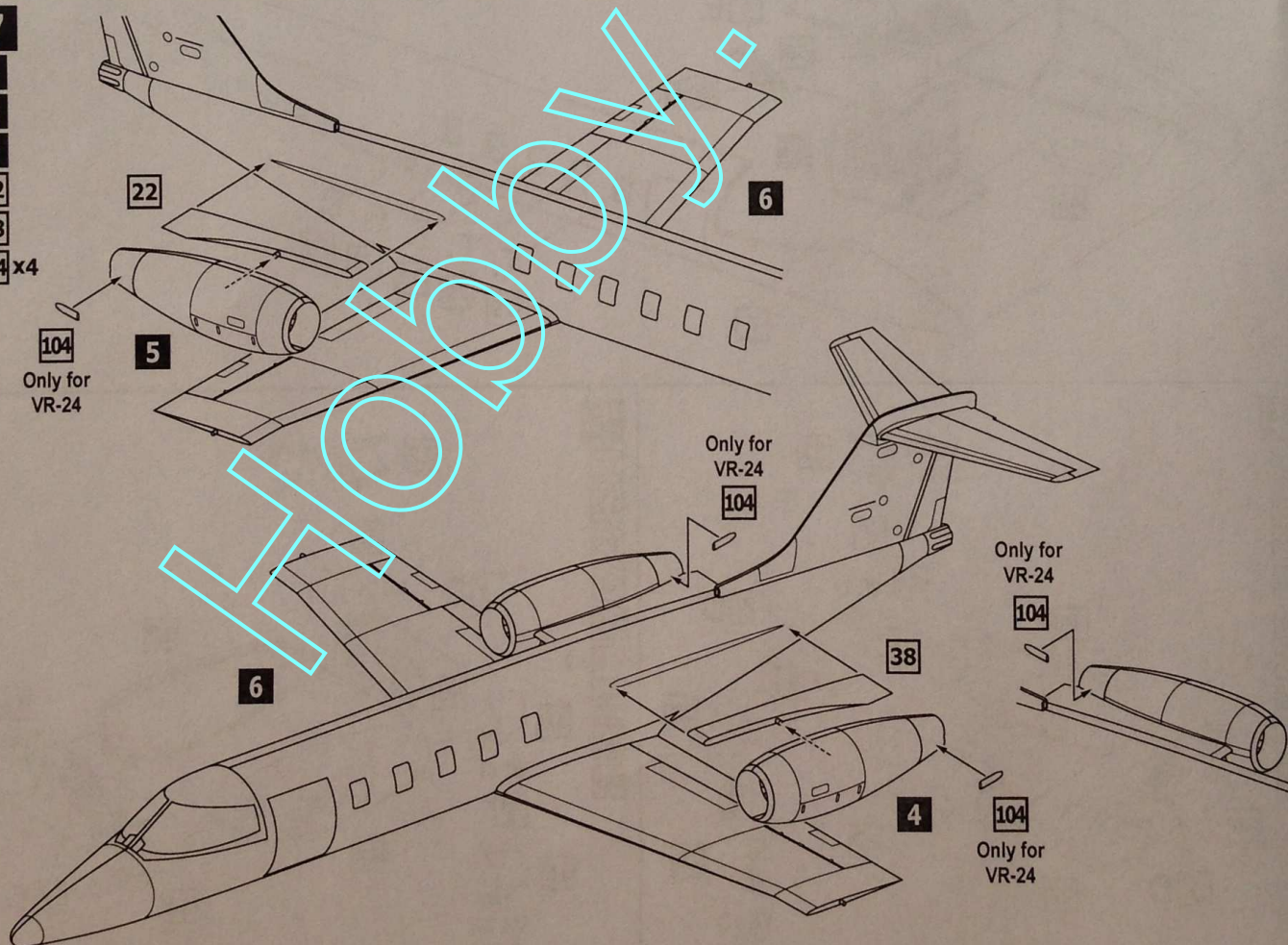
# ASSEMBLY INSTRUCTION



- 6
- 3
- 4
- 5
- 6
- 7
- 8
- 21
- 24



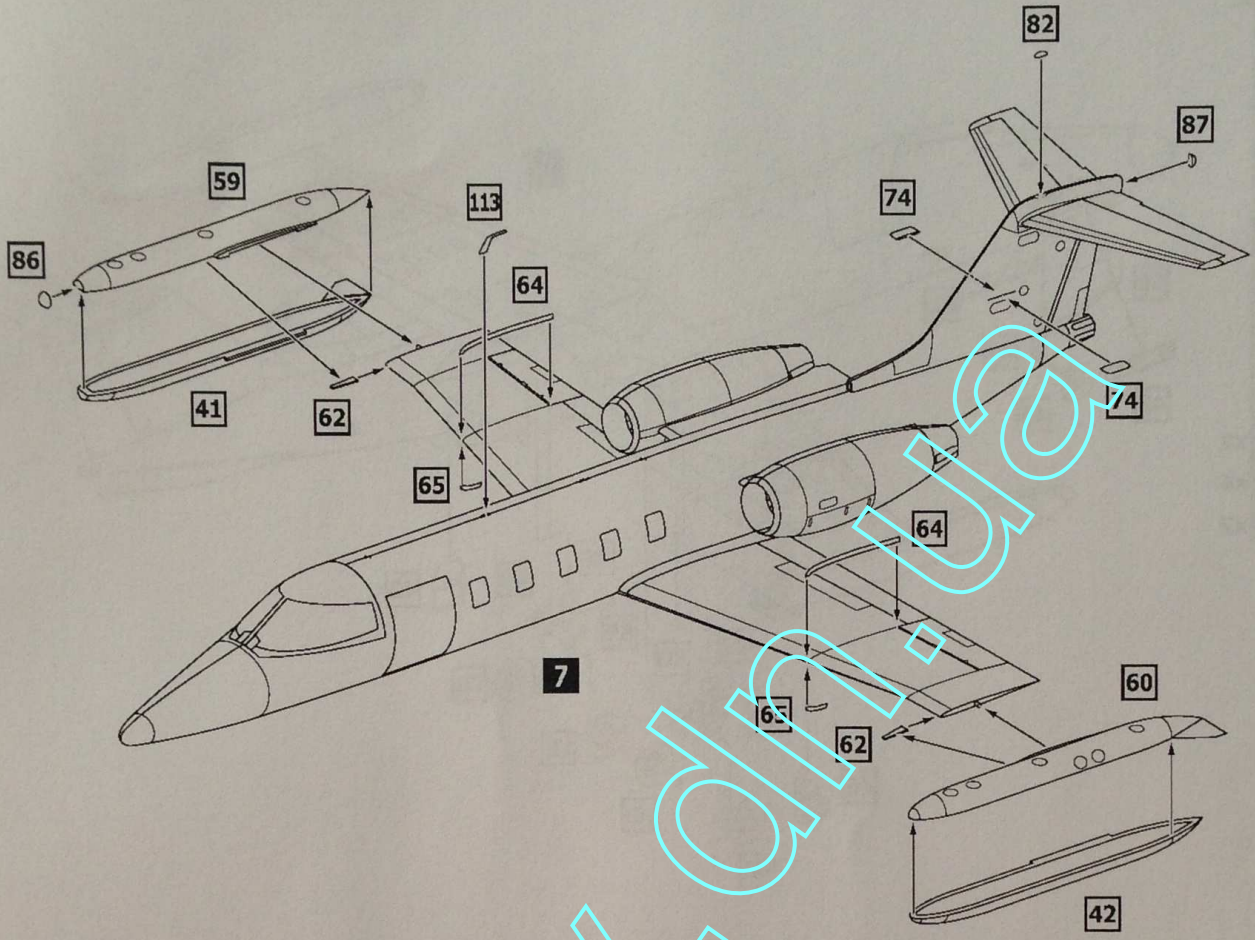
- 7
- 4
- 5
- 6
- 22
- 38
- 104 x4



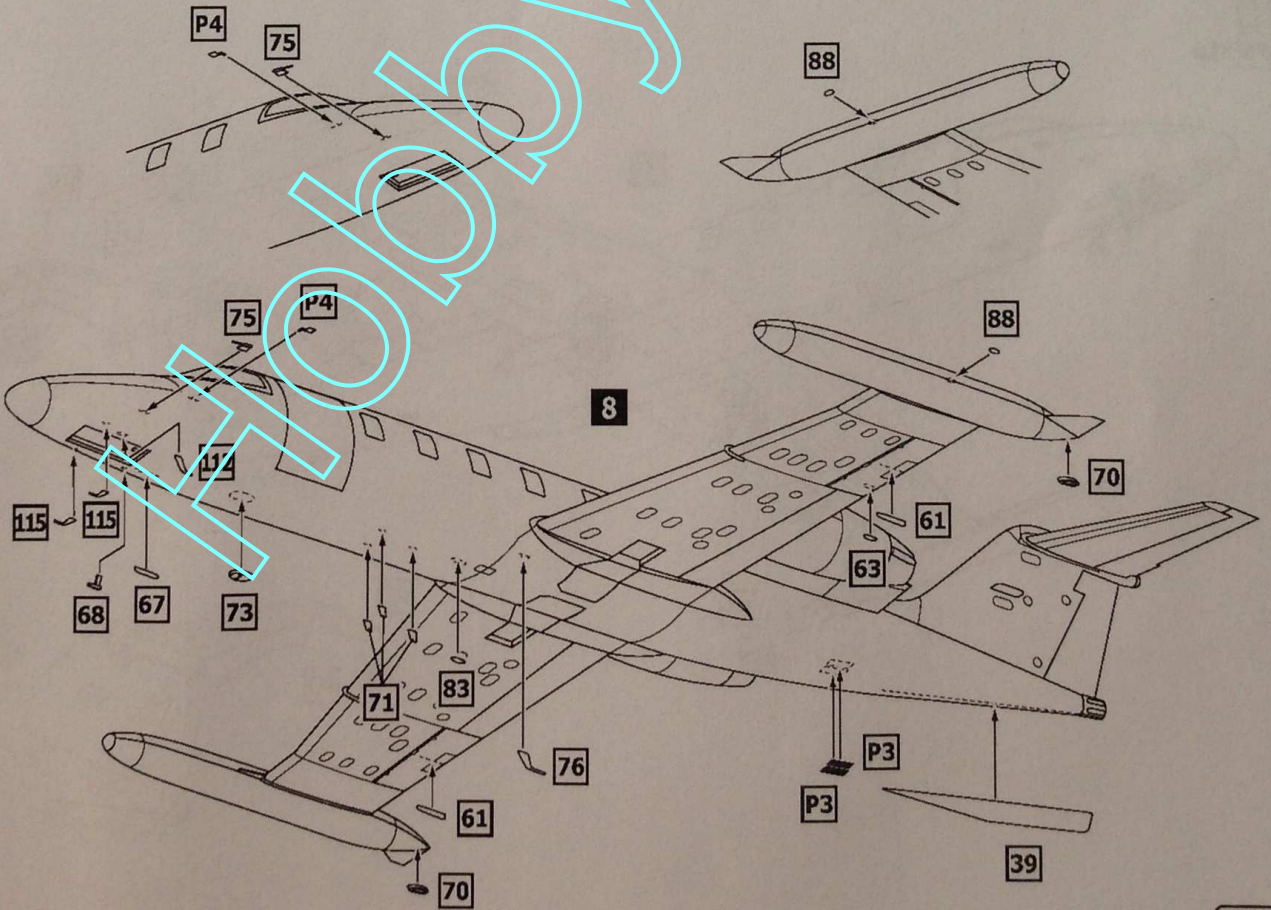
# ASSEMBLY INSTRUCTION



- 8**
- 7**
- 41**
- 42**
- 59**
- 60**
- 62 x2**
- 64 x2**
- 65 x2**
- 74 x2**
- 82**
- 86**
- 87**
- 113**



- 9**
- 8**
- 39**
- 61 x2**
- 63**
- 67**
- 68**
- 70 x2**
- 71 x3**
- 73**
- 75 x2**
- 76**
- 83**
- 88 x2**
- 112**
- 115 x2**
- P3 x2**
- P4 x2**



# ASSEMBLY INSTRUCTION



**10**

**9**

**43**

**44**

**45**

**46**

**48**

**50**

**51**

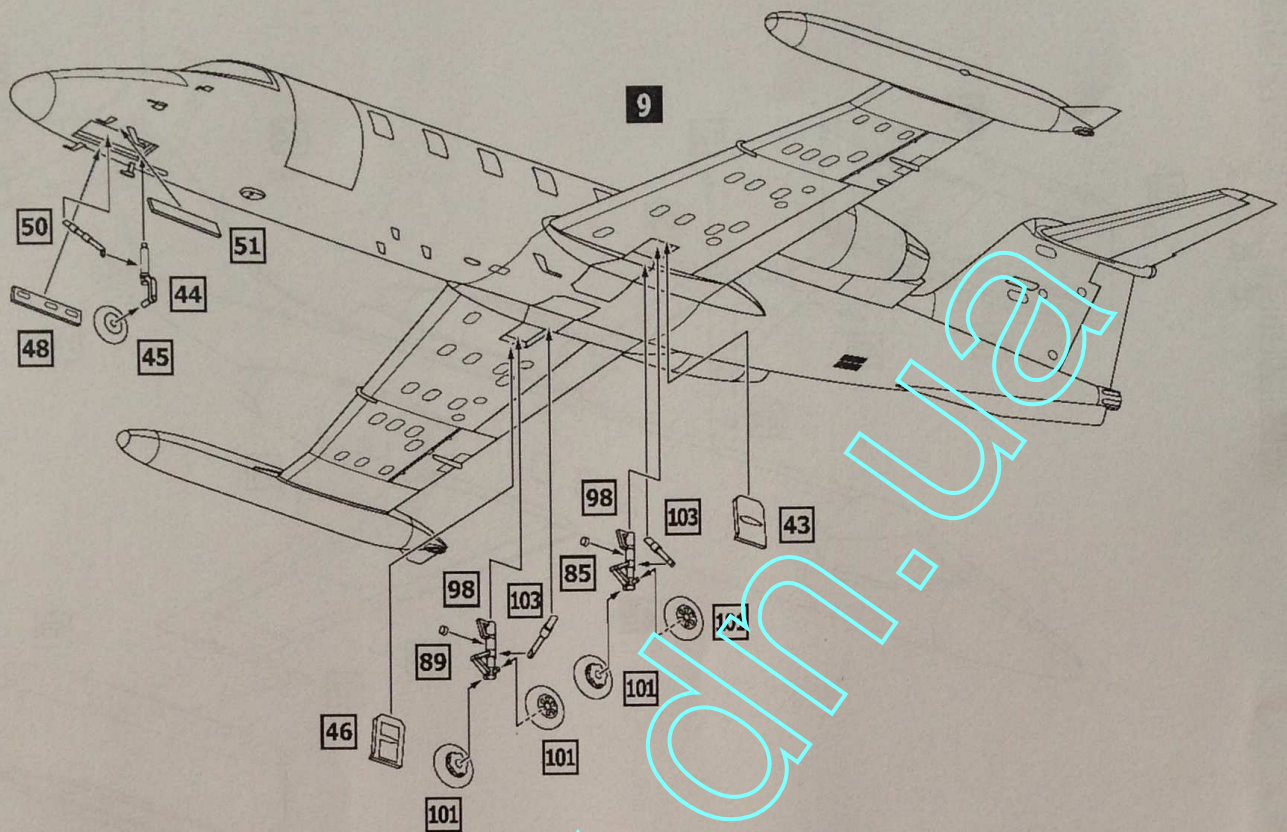
**85**

**89**

**98** x2

**101** x4

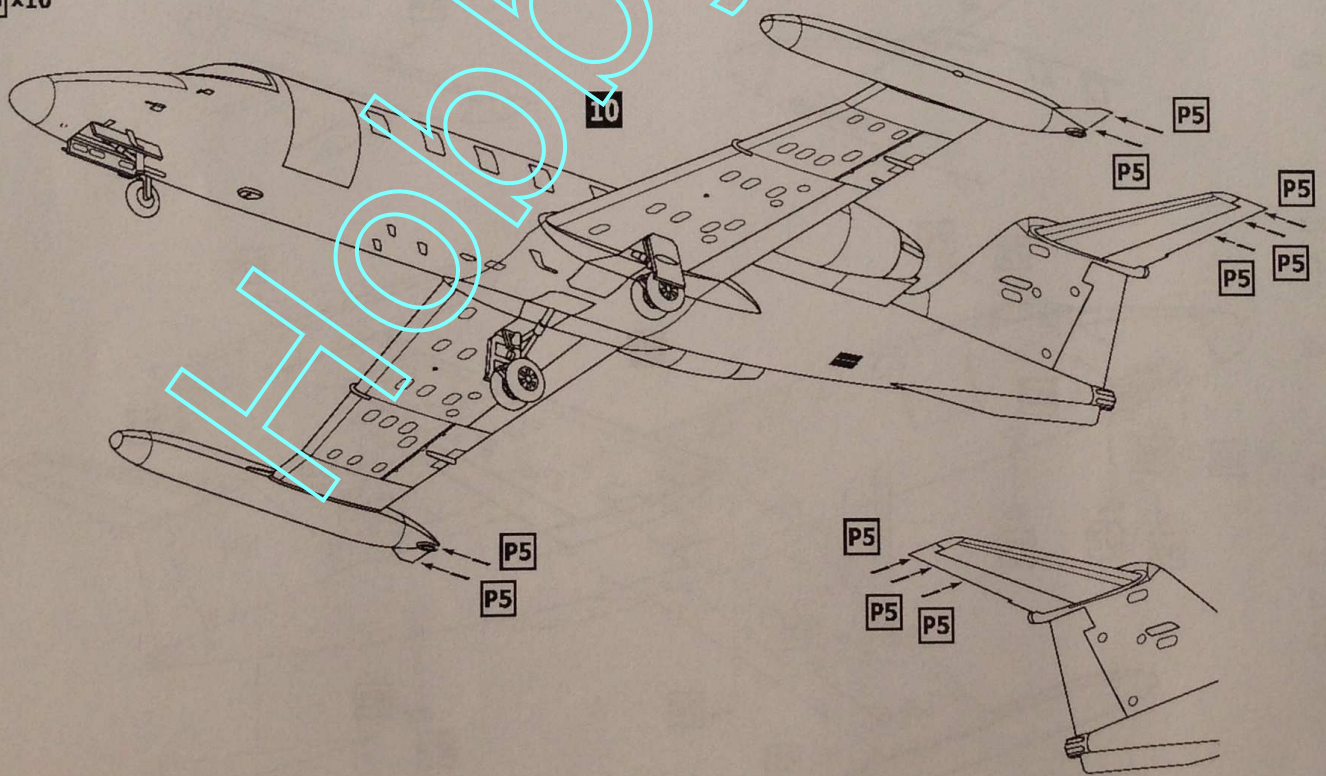
**103** x2



**11**

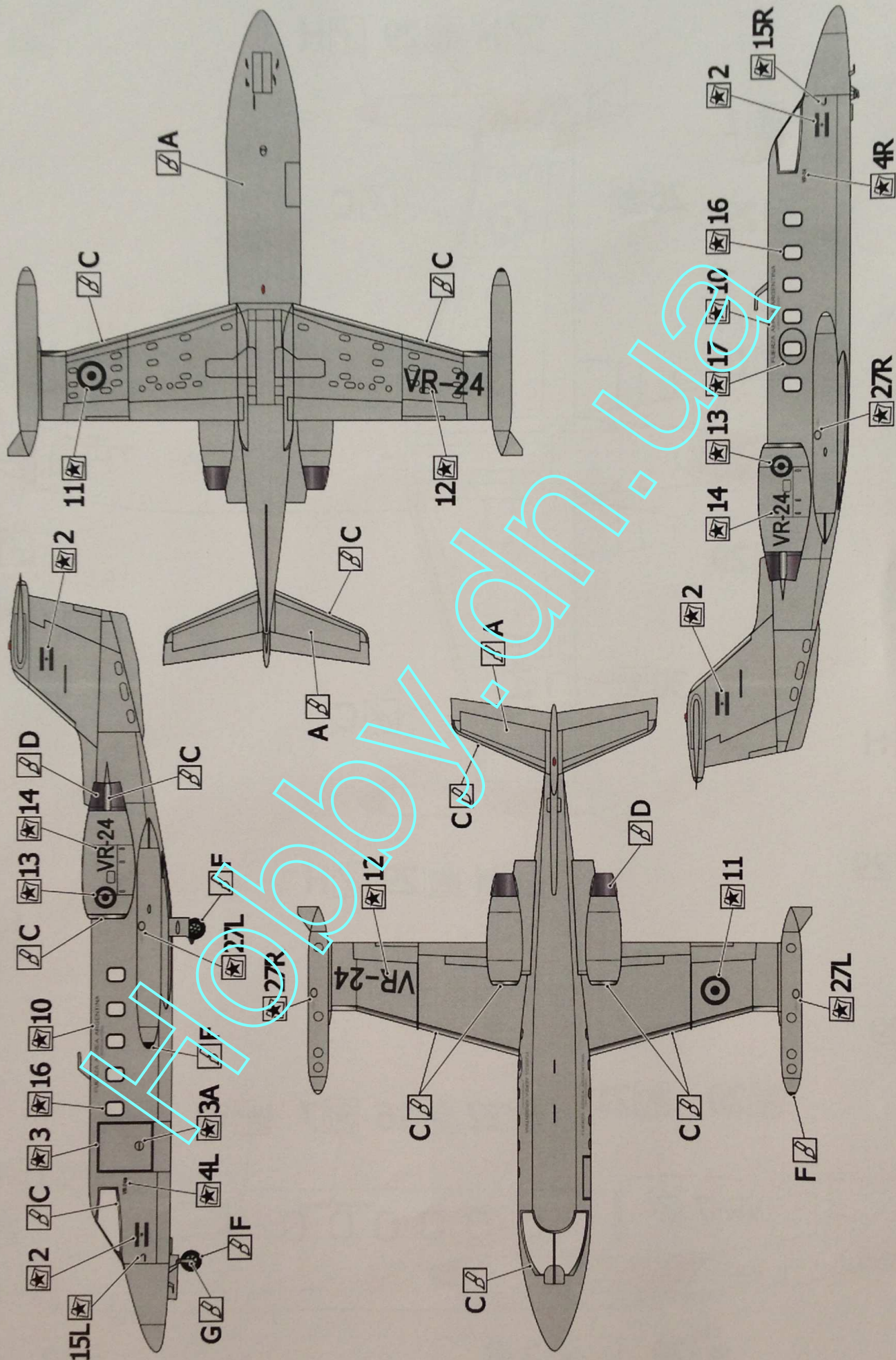
**10**

**P5** x10



# MARKING & PAINTING

Learjet 35A







# MARKING & PAINTING

Learjet 35A

