



LIMITED EDITION

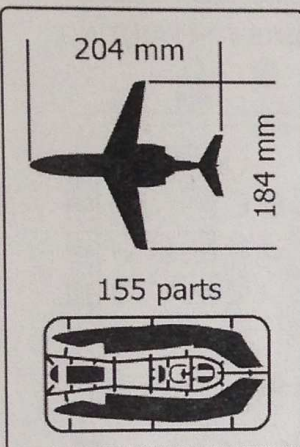
SOVA-M
SVM-72044

Hawker
T-400

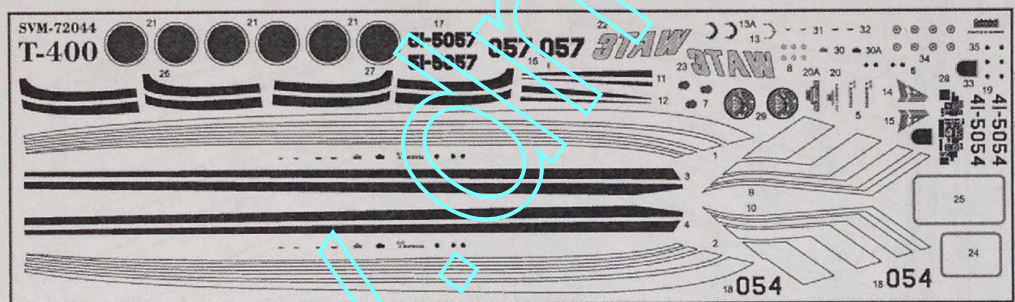


UNASSEMBLED PLASTIC MODEL KITS

SCALE:1/72



DECALS



TWO VERSIONS OF COLOURING

The Hawker 400 is a light business jet. Initially designed and built by Mitsubishi, it has been further developed and updated by the Beech Aircraft Company, now part of Textron Aviation. It was produced over 30 years under the names such as Mitsubishi Diamond, Diamond II, Beechjet 400/400A, and Hawker 400XP; military version T-1 Jayhawk was also produced. In total, over 900 Hawker 400s have been delivered. Since 2017, a factory-engineered and supported upgrade to Hawker 400XPR is provided, reducing fuel consumption by 16-20%, and improving range by as much as 33%.

The model is executed on technology short run and is intended only for experienced modelers.

Word-wide distributor for Sova-M kits:
ModelSvit Balkans Ltd. 4003 Plovdiv,
Bulgaria 9, zk Maritza Gardens.
Tel. +359 32 397 069,
E-Mail: modelsvitbalkans@gmail.com
MADE IN UKRAINE

PAINTS

- | | | | | | |
|----------|--|---------------------------------|----------|--|----------------------------|
| A | | HUMBROL 22
WHITE | B | | HUMBROL 19
RED |
| C | | HUMBROL 27002
POL. ALUMINIUM | D | | HUMBROL 27004
GUN METAL |
| E | | HUMBROL 145
MEDIUM GREY | F | | HUMBROL 33
BLACK |

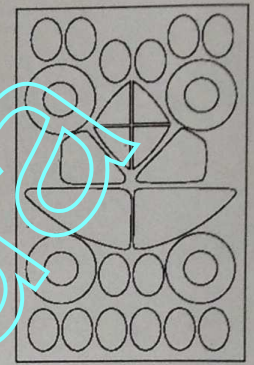
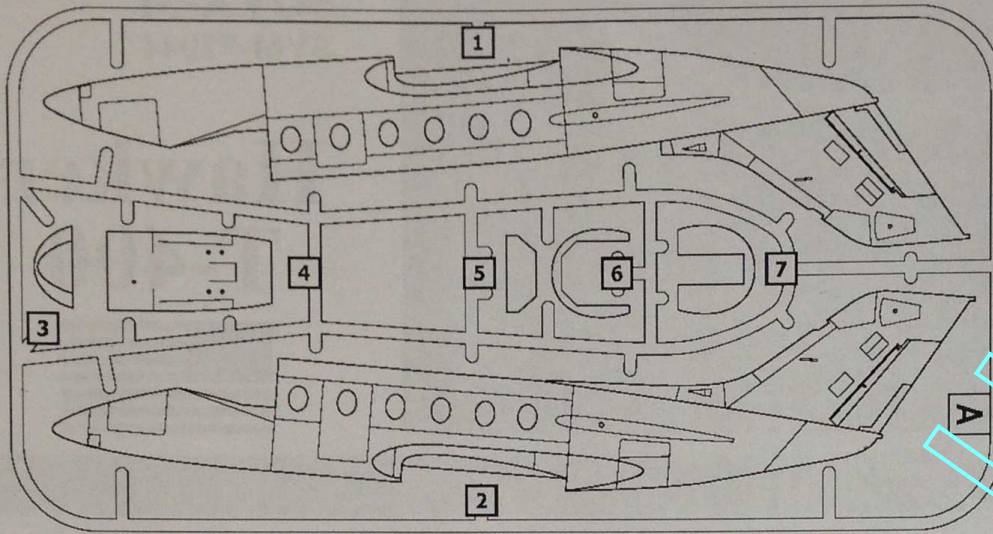
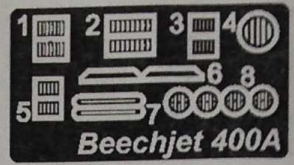
SYMBOLS

- | | | | | | |
|-----------|------------------------|--|----------------------|--|---------------|
| 1 | STAGES OF ASSEMBLY | | TO PAINT | | TO BEND |
| 1 | NUMBER PARTS | | GLUE | | SCRATCH BUILT |
| | APPLY DECALS | | DON'T GLUE | | OPEN HOLE |
| x2 | QUANTITY OF OPERATIONS | | НА ВИБІР
OPTIONAL | | CAT OUT |

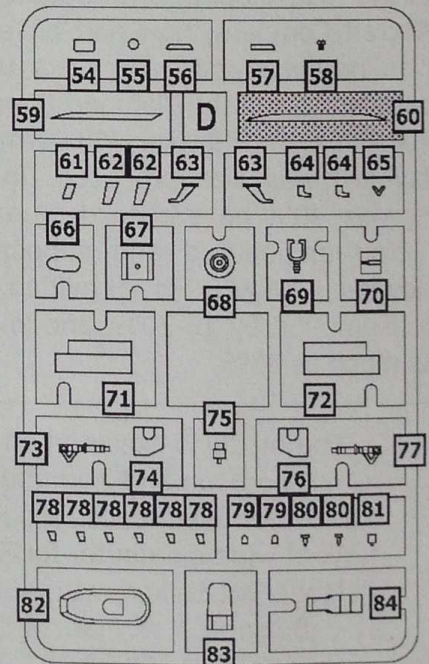
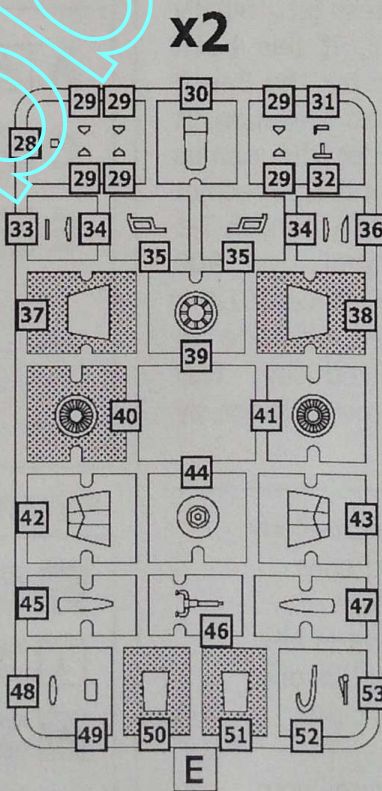
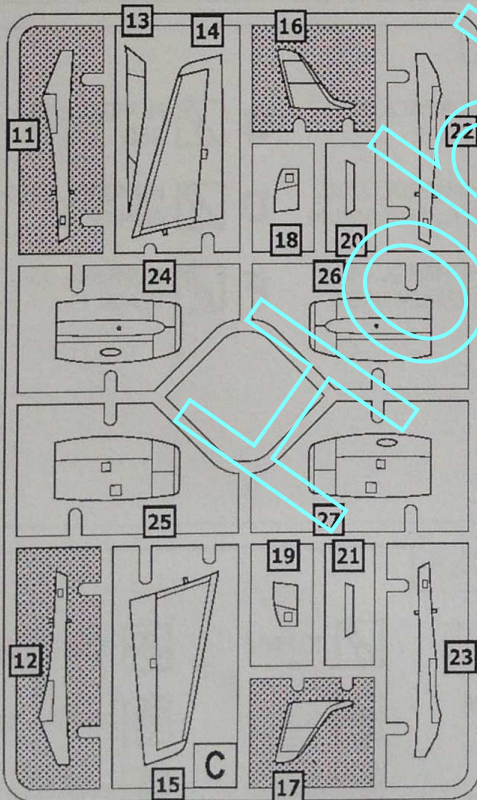
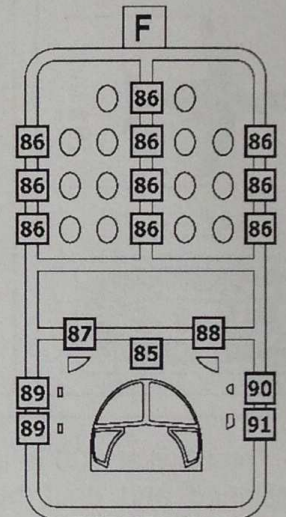
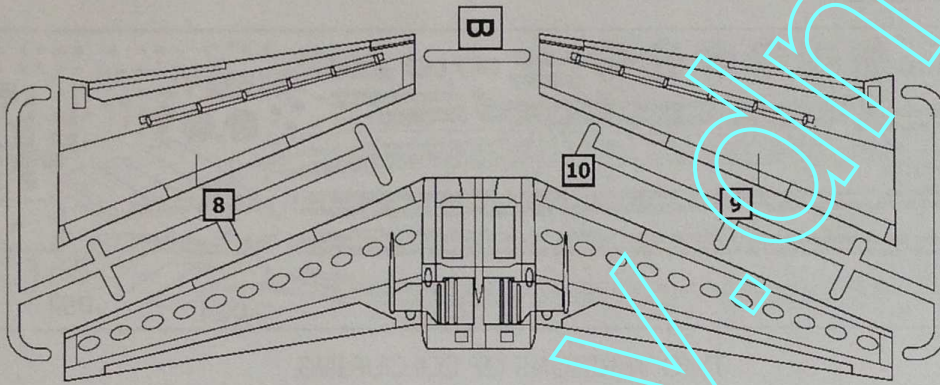
SET OF THE PARTS



P



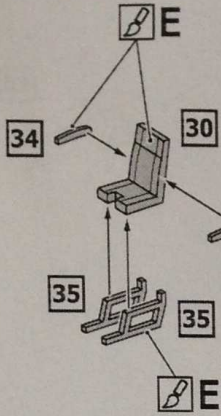
MASKS FOR PAINTING



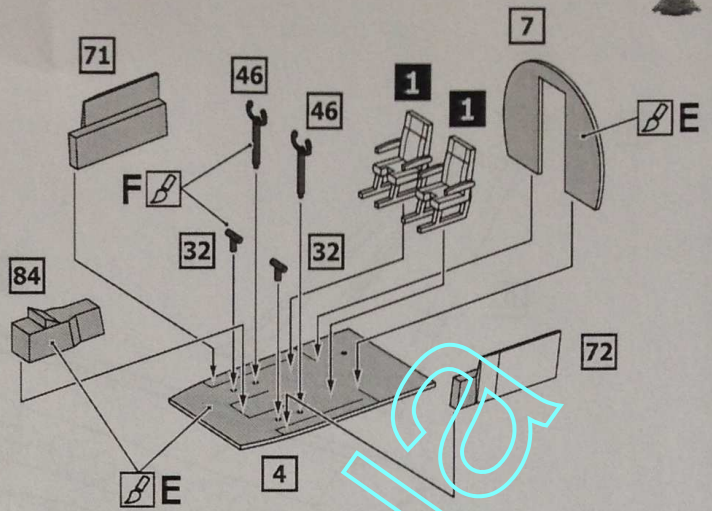
ASSEMBLY INSTRUCTION



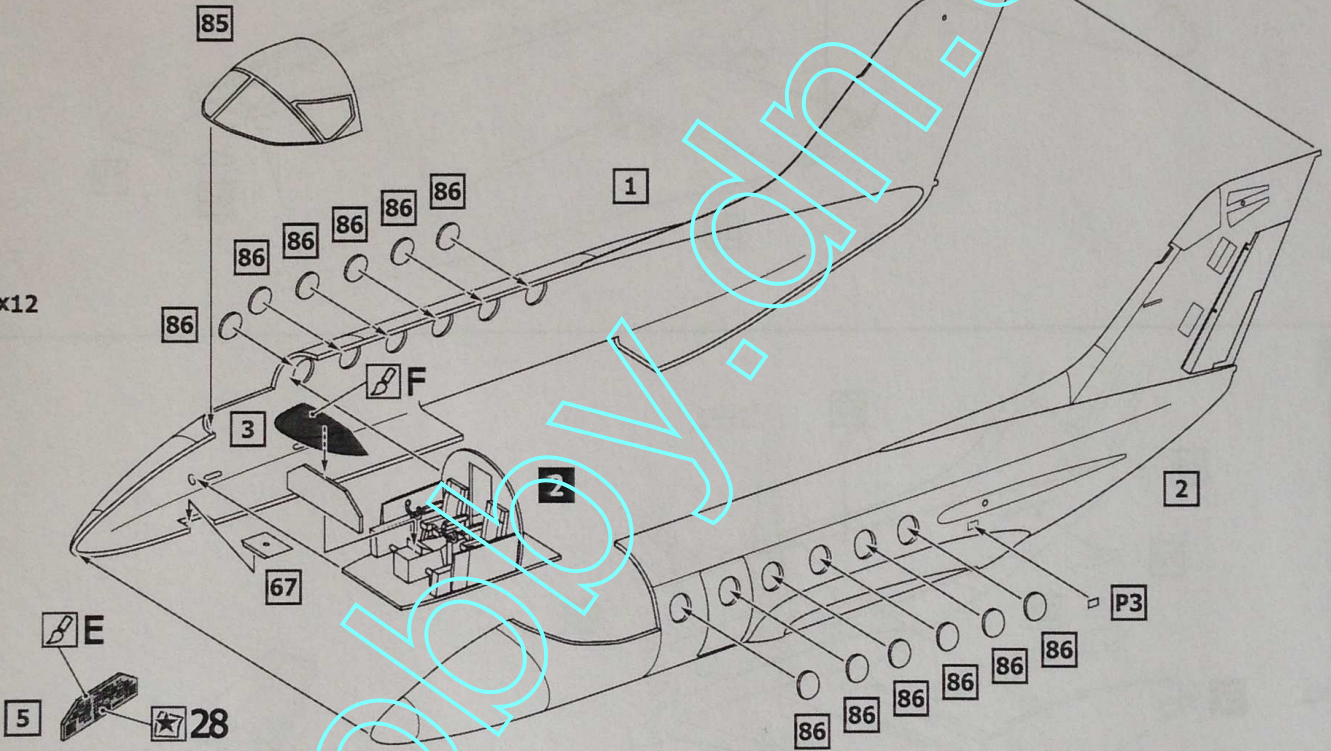
- 1** x2
- 30** x2
- 34** x4
- 35** x4



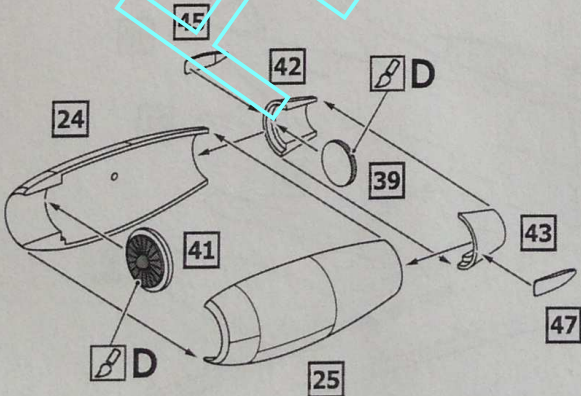
- 2**
- 1** x2
- 4**
- 7**
- 32** x2
- 46** x2
- 71**
- 72**
- 84**



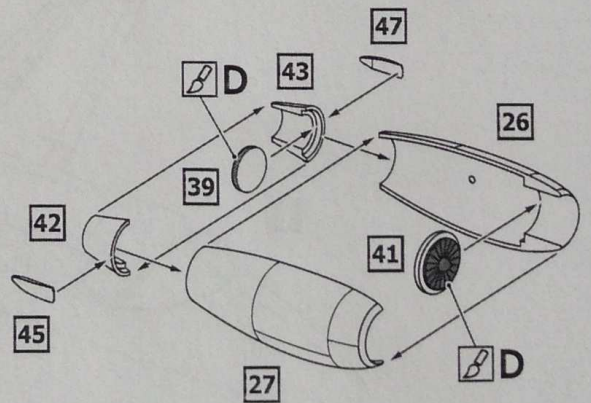
- 3**
- 2**
- 1**
- 2**
- 3**
- 5**
- 67**
- 85**
- 86** x12
- P3**



- 4**
- 24**
- 25**
- 39**
- 41**
- 42**
- 43**
- 45**
- 47**



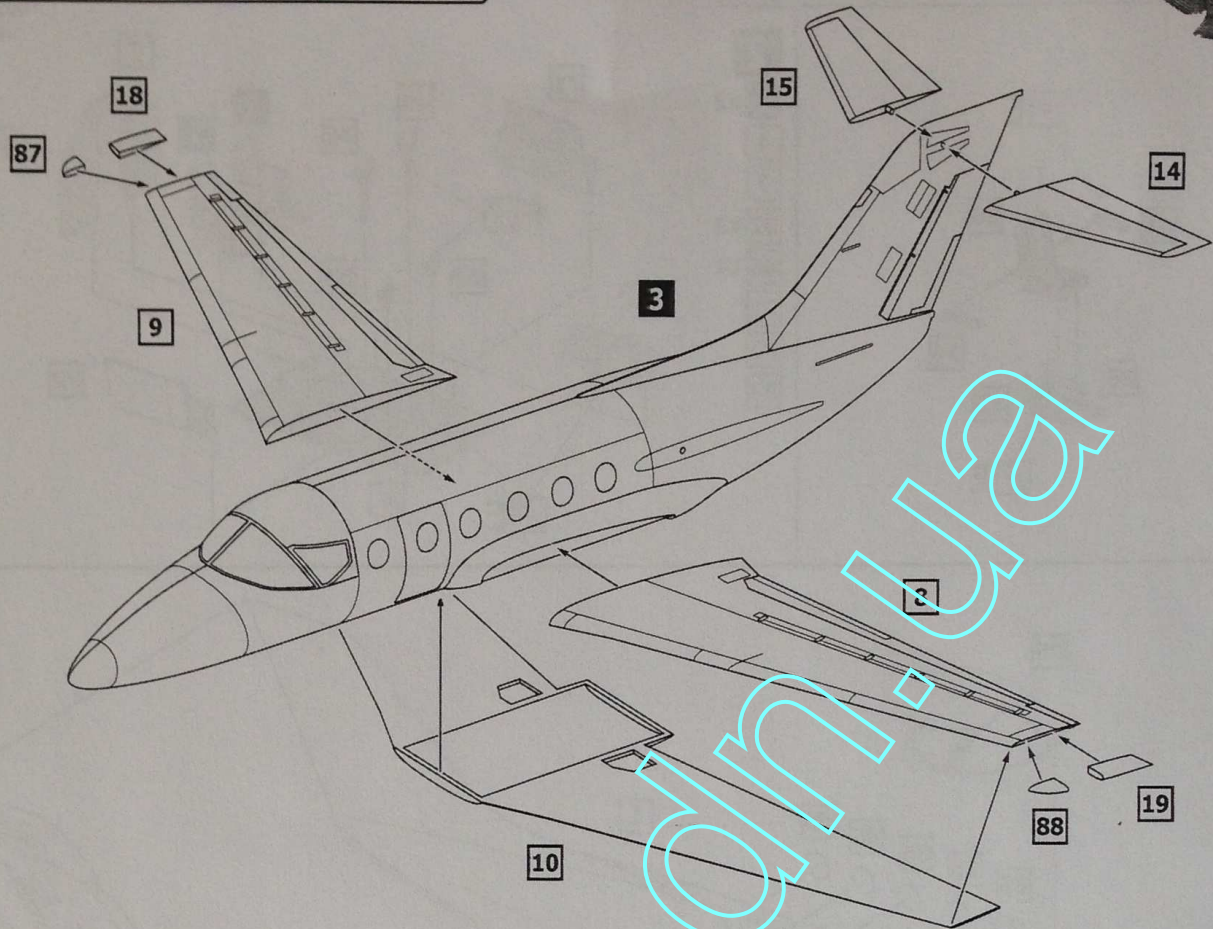
- 5**
- 26**
- 27**
- 39**
- 41**
- 42**
- 43**
- 45**
- 47**



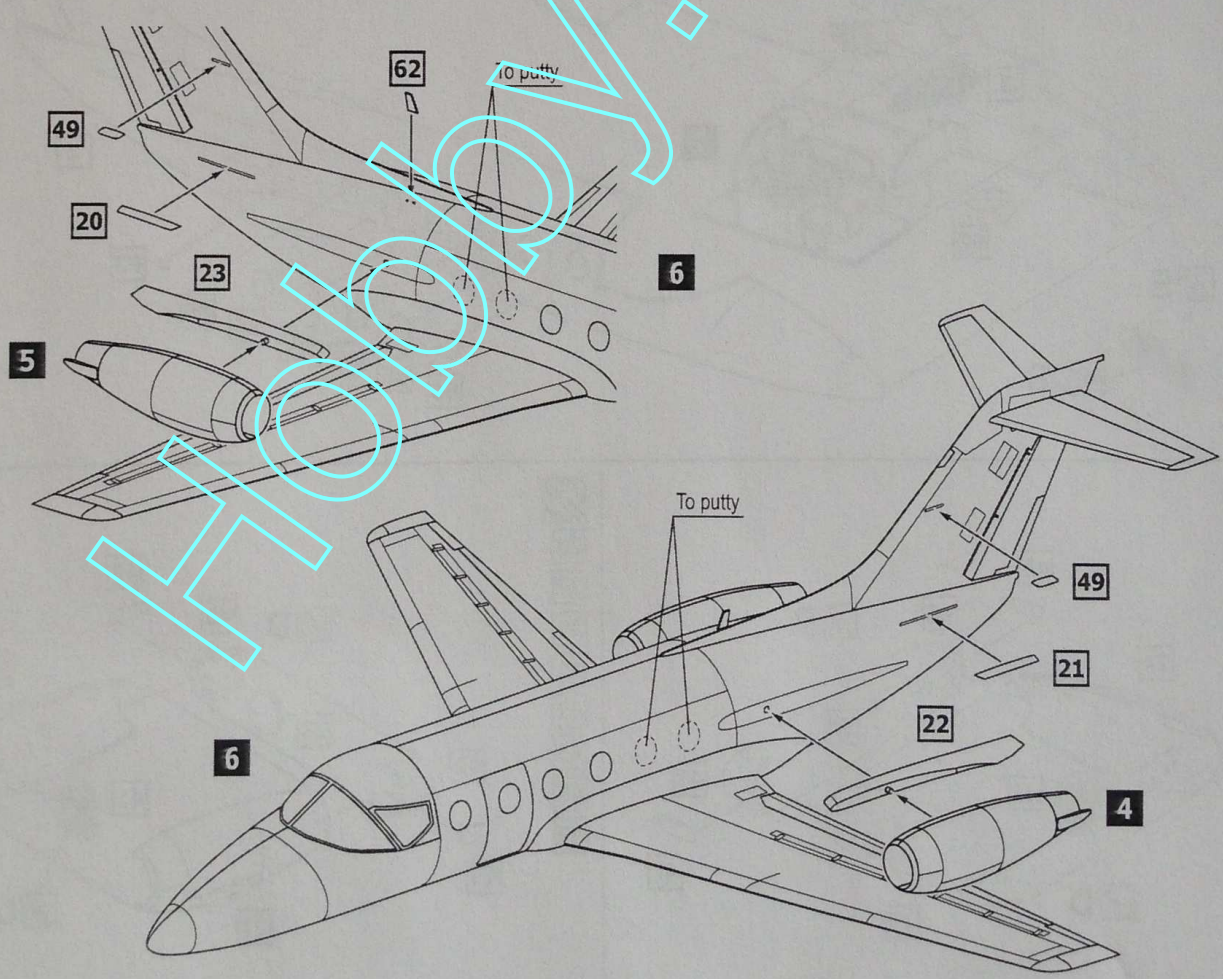
ASSEMBLY INSTRUCTION



- 6
- 3
- 8
- 9
- 10
- 14
- 15
- 18
- 19
- 87
- 88



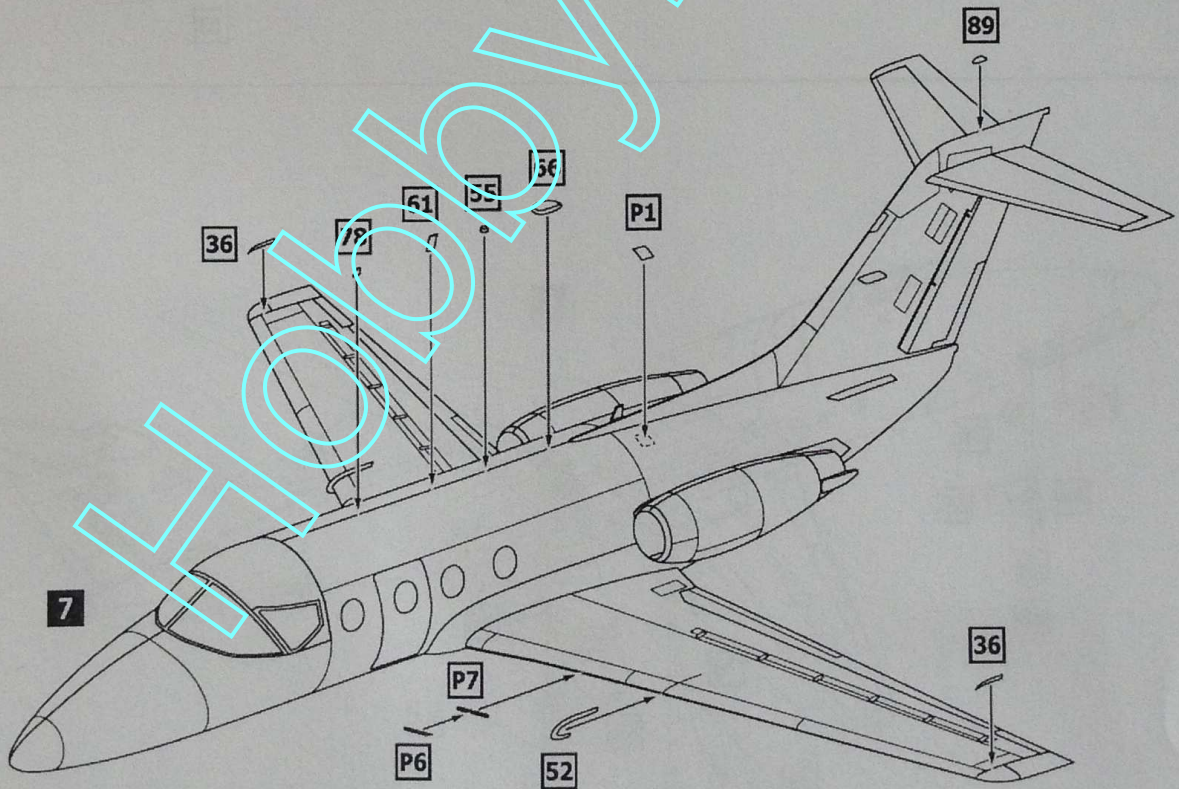
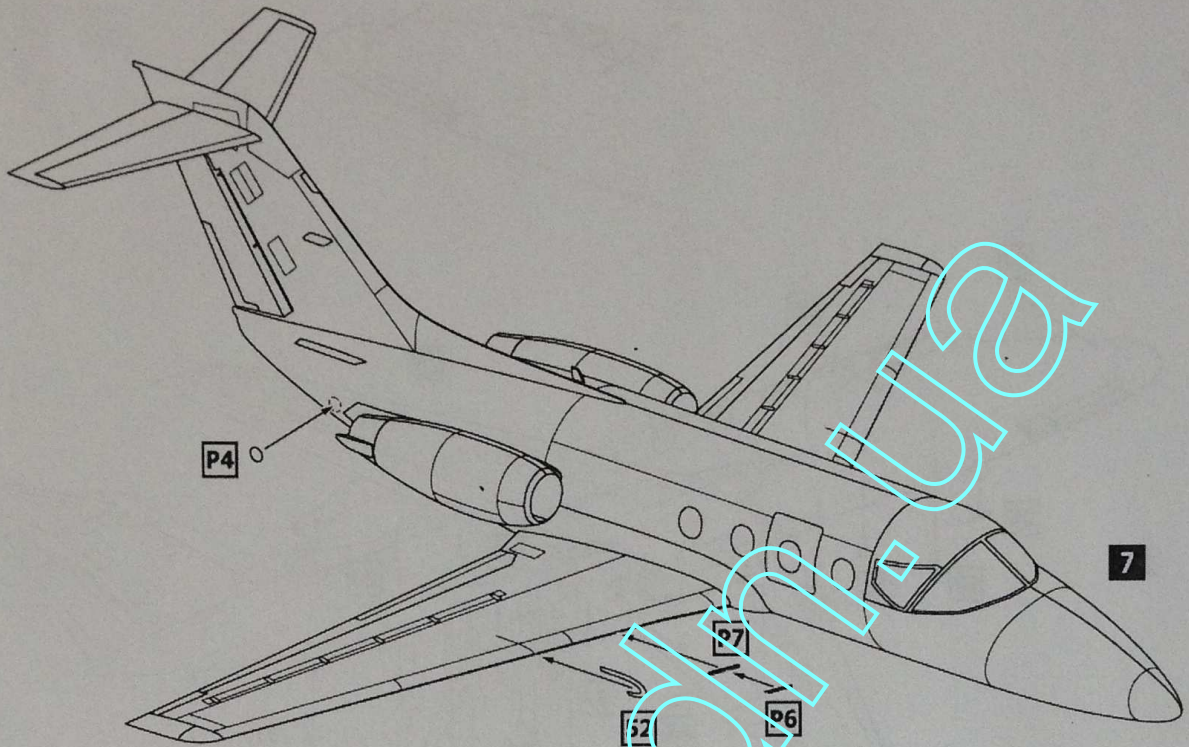
- 7
- 4
- 5
- 6
- 20
- 21
- 22
- 23
- 49 x2
- 62



ASSEMBLY INSTRUCTION



- 8**
- 7**
- 36** x2
- 52** x2
- 55**
- 61**
- 66**
- 78**
- 89**
- P6** x2
- P7** x2
- P1**
- P4**



ASSEMBLY INSTRUCTION



9

8

13

28 x2

29 x12

31 x2

48 x2

56

57

59

62

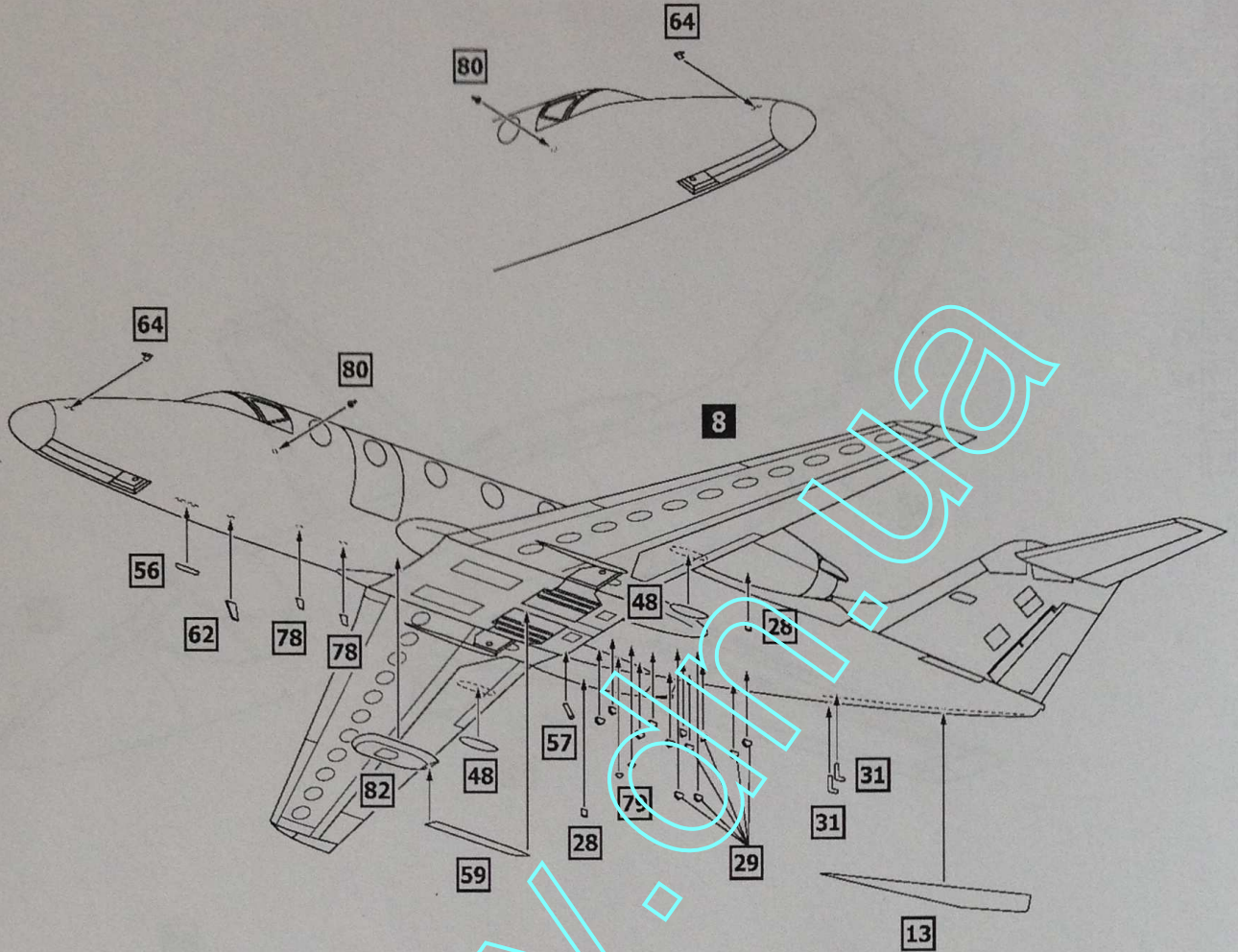
64 x2

78 x2

79 x2

80 x2

82



10

9

33 x2

44 x2

53 x2

65

68

69

70

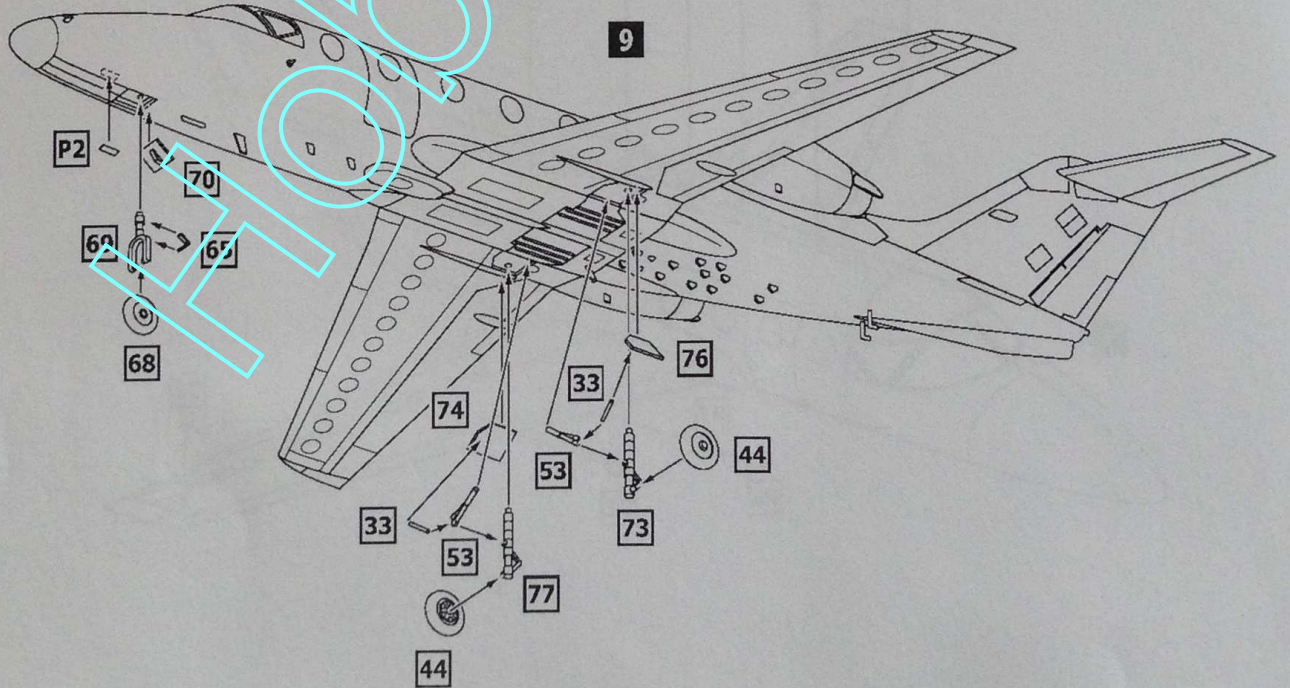
73

74

76

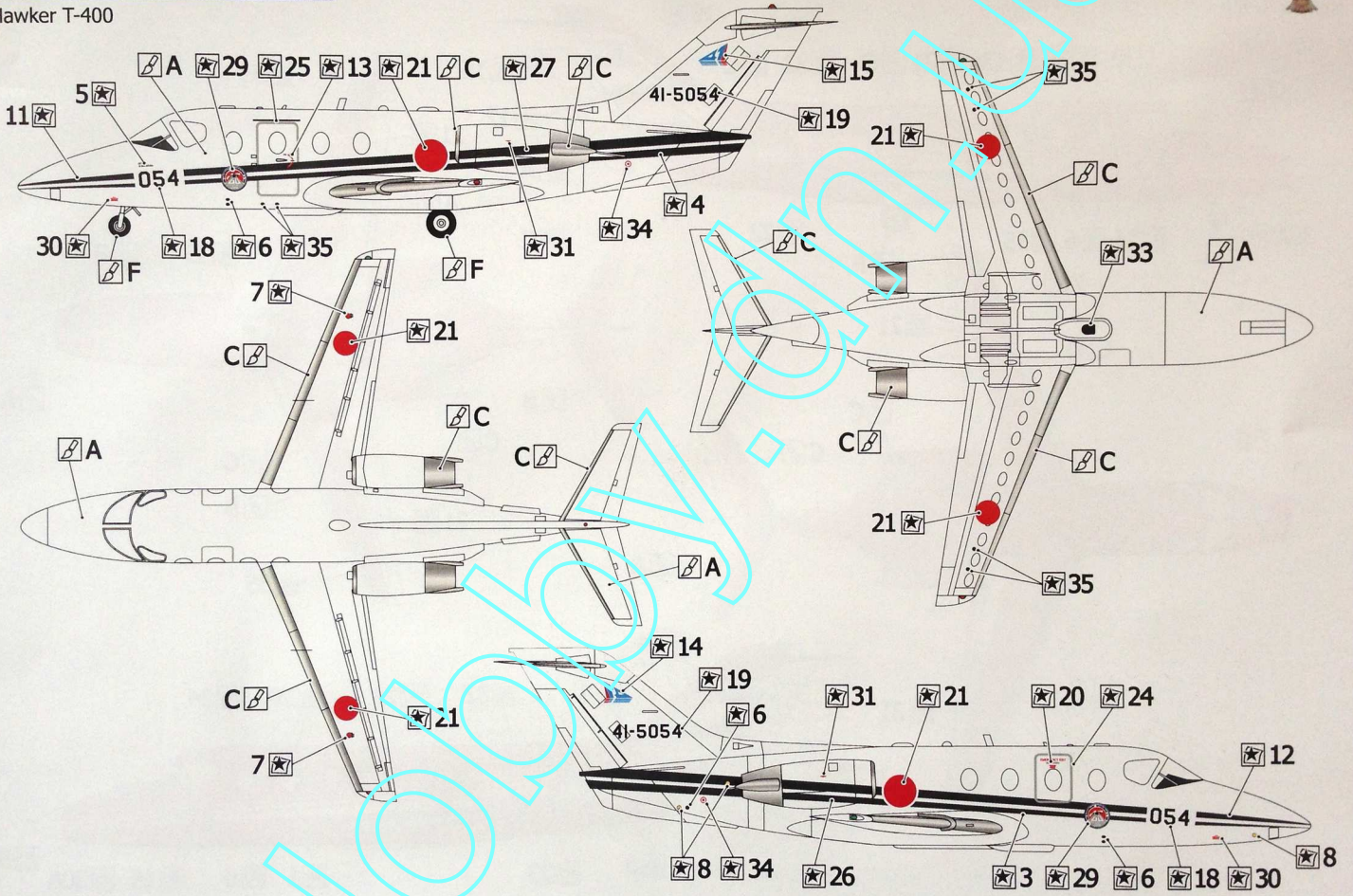
77

P2



MARKING & PAINTING

Hawker T-400



MARKING & PAINTING

Hawker T-400

