



LIMITED EDITION

SOVA-M  
SVM-72049

# Learjet 36A



USA

UNASSEMBLED PLASTIC MODEL KITS

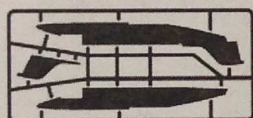
SCALE:1/72

210 mm

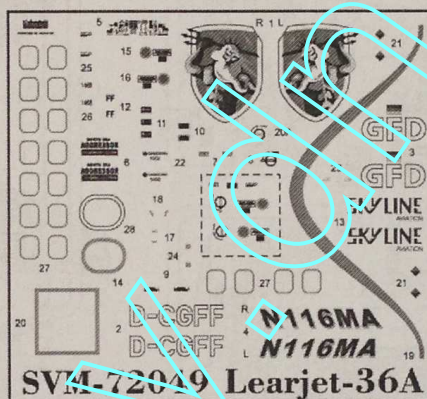


168 mm

234 parts



## DECALS



TWO VERSIONS OF COLOURING

The Learjet Model 35 and Model 36 are a series of American multi-role business jets and military transport aircraft, manufactured by Learjet. When used by the United States Air Force they carry the designation C-21A. Its cabin can be arranged for 6-8 passengers. The longer-range Model 36 has a shortened passenger area to provide more space in the aft fuselage for fuel tanks. This testbed aircraft first flew in May, 1971.

The model is executed on technology short run and is intended only for experienced modelers.

World-wide distributor for Sova-M kits:  
ModelSvit Balkans Ltd. 4003 Plovdiv,  
Bulgaria 9, zk Maritza Gardens.

Tel. +359 32 397 069,

E-Mail: modelsvitbalkans@gmail.com

MADE IN UKRAINE


## PAINTS

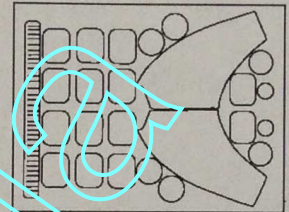
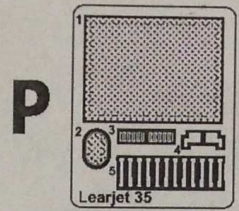
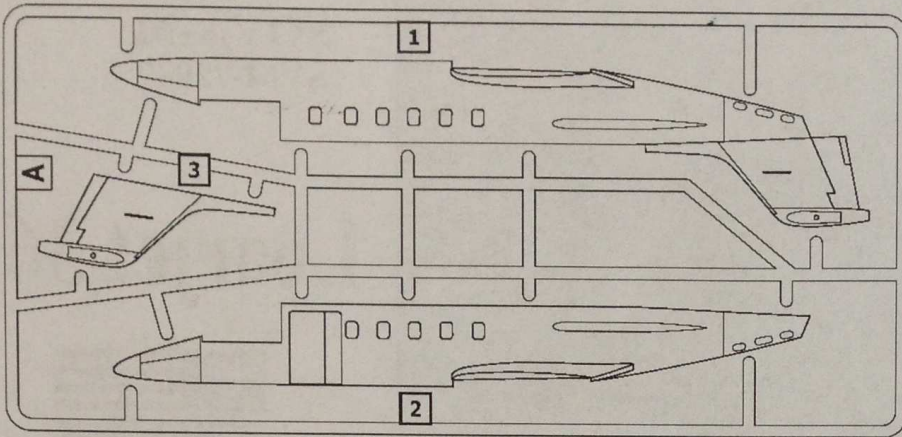
- |          |  |                                 |          |  |                            |
|----------|--|---------------------------------|----------|--|----------------------------|
| <b>A</b> |  | HUMBROL 14<br>BLUE              | <b>B</b> |  | HUMBROL 126<br>MEDIUM GREY |
| <b>C</b> |  | HUMBROL 27002<br>POL. ALUMINIUM | <b>D</b> |  | HUMBROL 27004<br>GUN METAL |
| <b>E</b> |  | HUMBROL 145<br>MEDIUM GREY      | <b>F</b> |  | HUMBROL 33<br>BLACK        |
| <b>G</b> |  | HUMBROL 22<br>WHITE             | <b>H</b> |  | HUMBROL 19<br>RED          |

## SYMBOLS

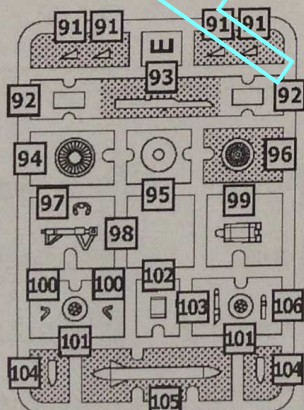
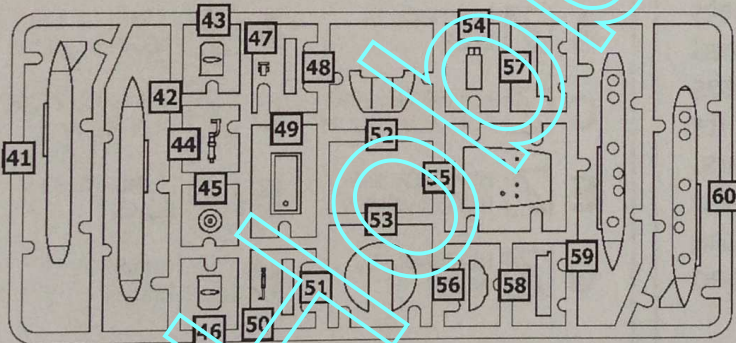
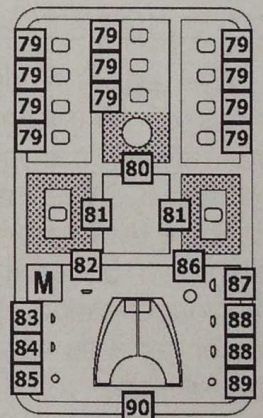
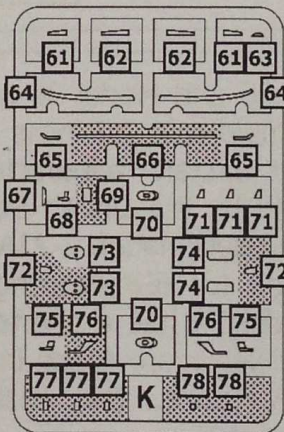
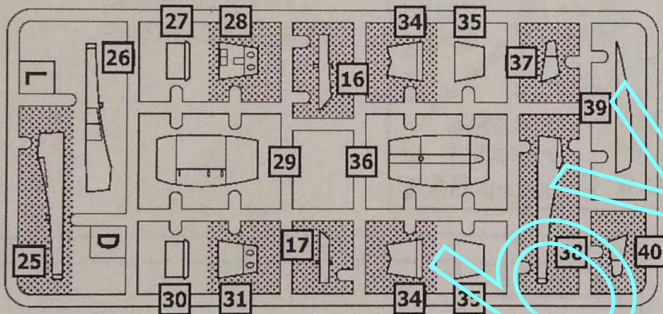
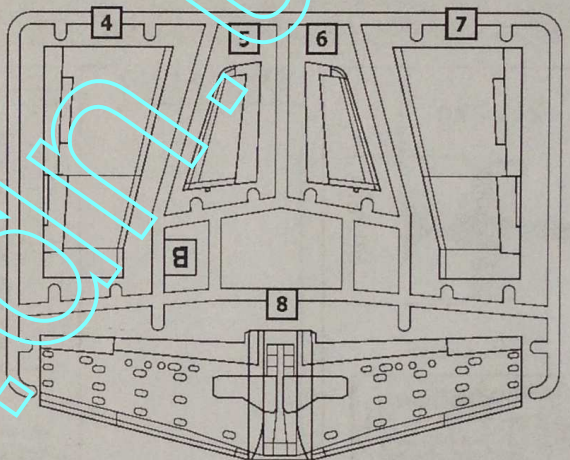
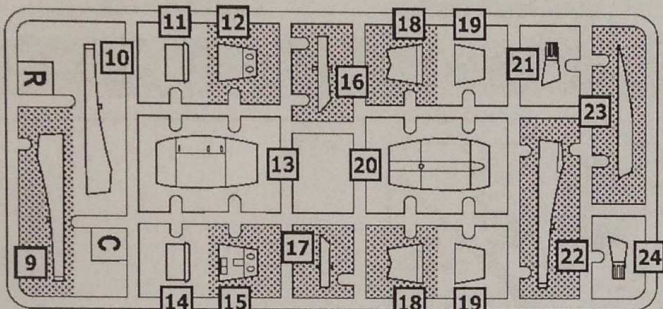
- |           |                        |  |                      |  |               |
|-----------|------------------------|--|----------------------|--|---------------|
| <b>1</b>  | STAGES OF ASSEMBLY     |  | TO PAINT             |  | TO BEND       |
| <b>1</b>  | NUMBER PARTS           |  | GLUE                 |  | SCRATCH BUILT |
|           | APPLY DECALS           |  | DON'T GLUE           |  | OPEN HOLE     |
| <b>x2</b> | QUANTITY OF OPERATIONS |  | НА ВИБІР<br>OPTIONAL |  | CAT OUT       |

# SET OF THE PARTS

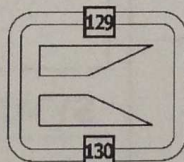
 PARTS NOT FOR USE



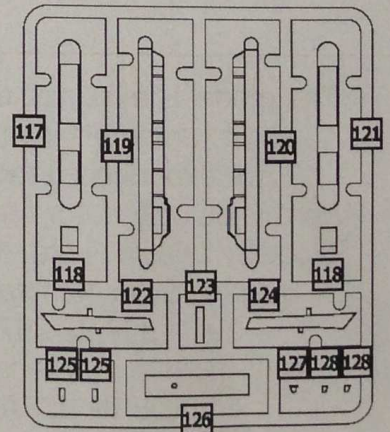
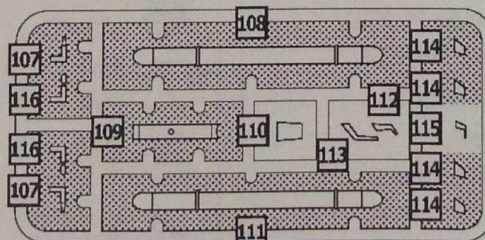
MASKS FOR PAINTING



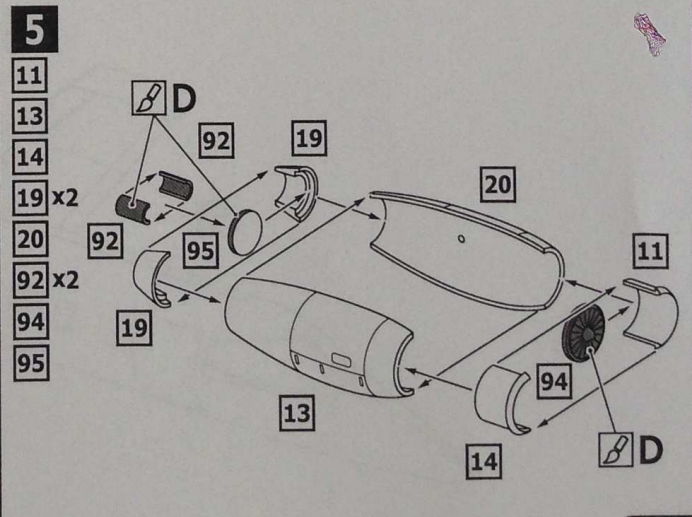
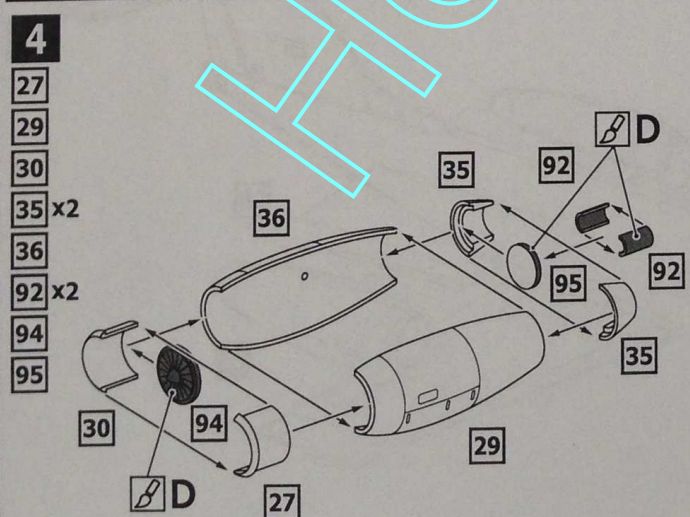
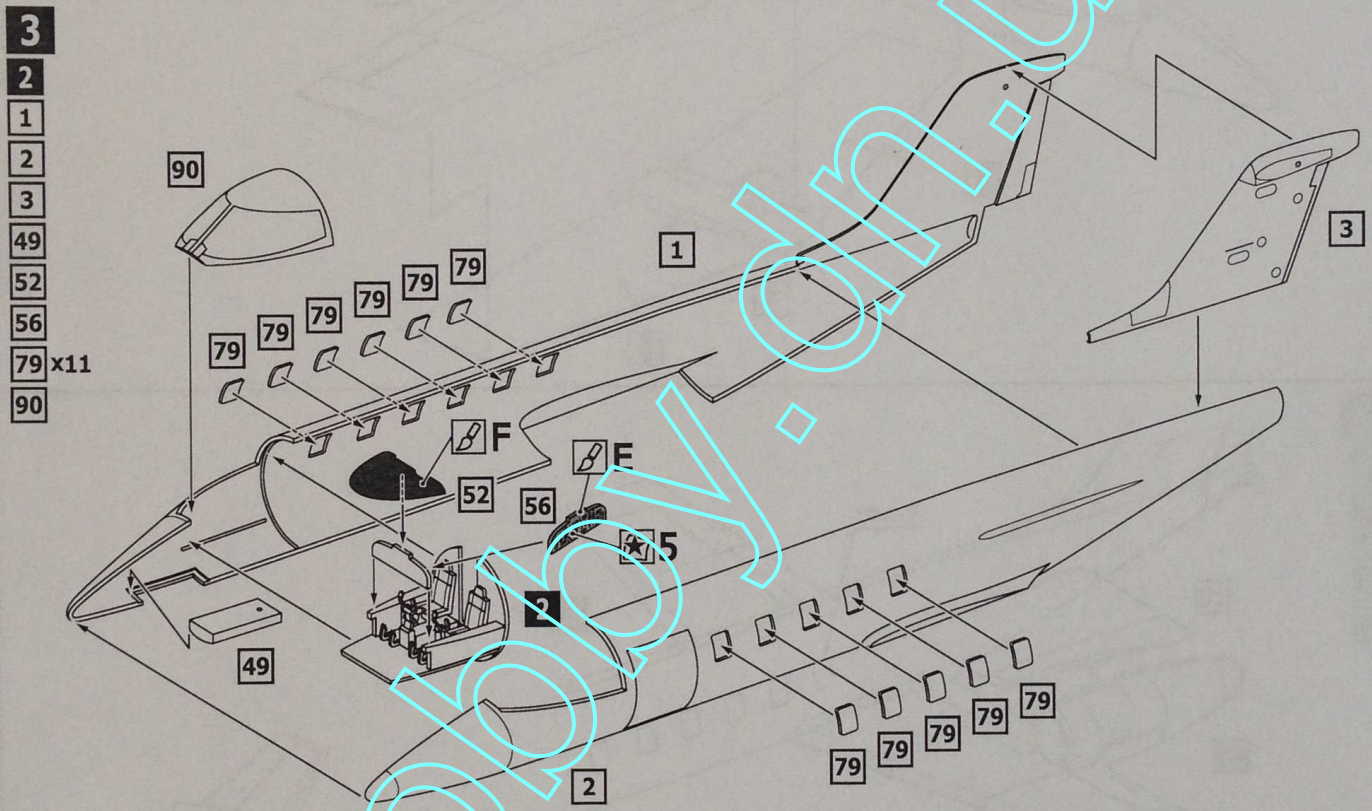
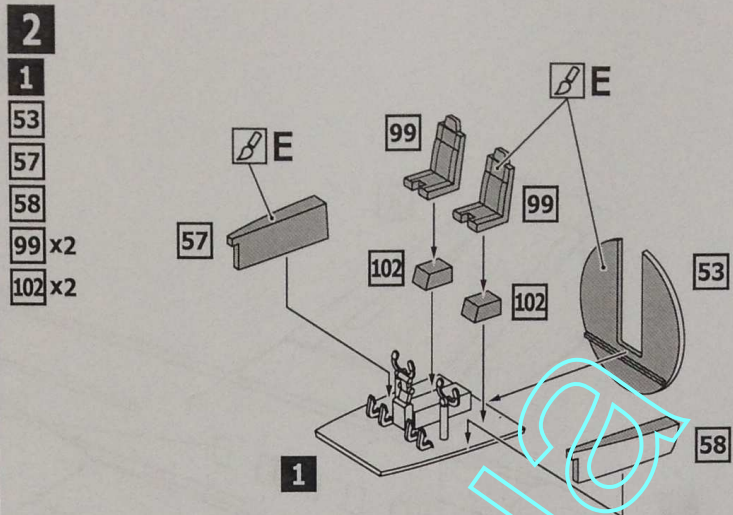
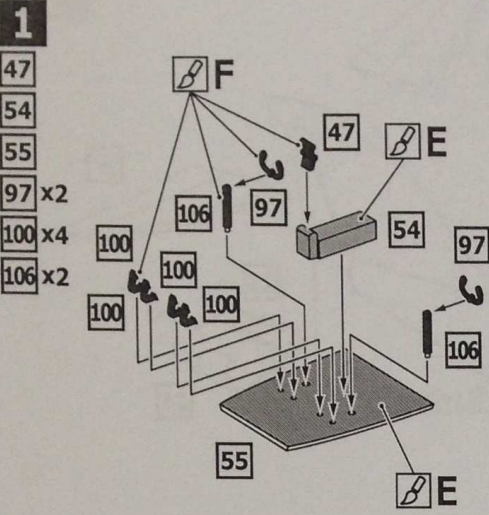
x2



x2



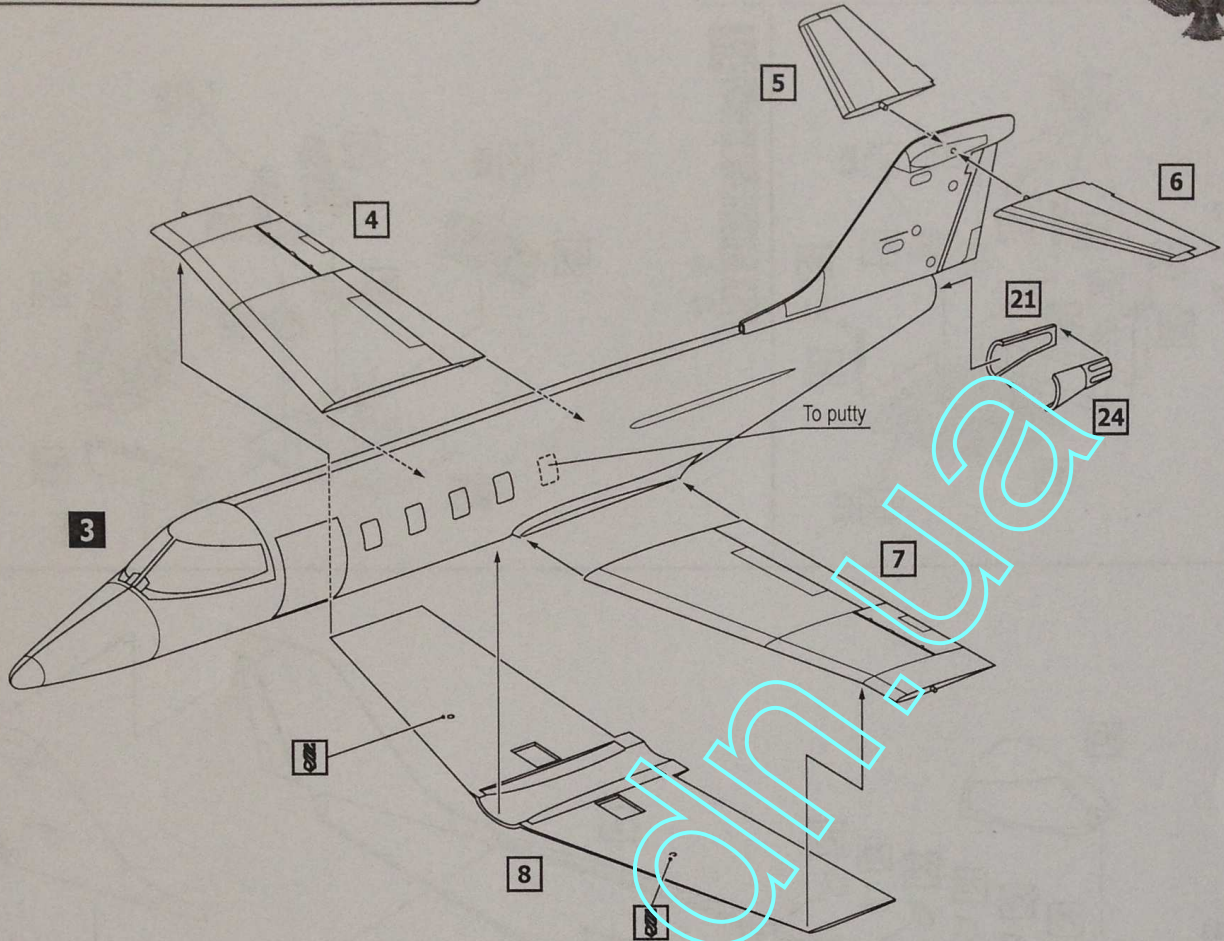
# ASSEMBLY INSTRUCTION



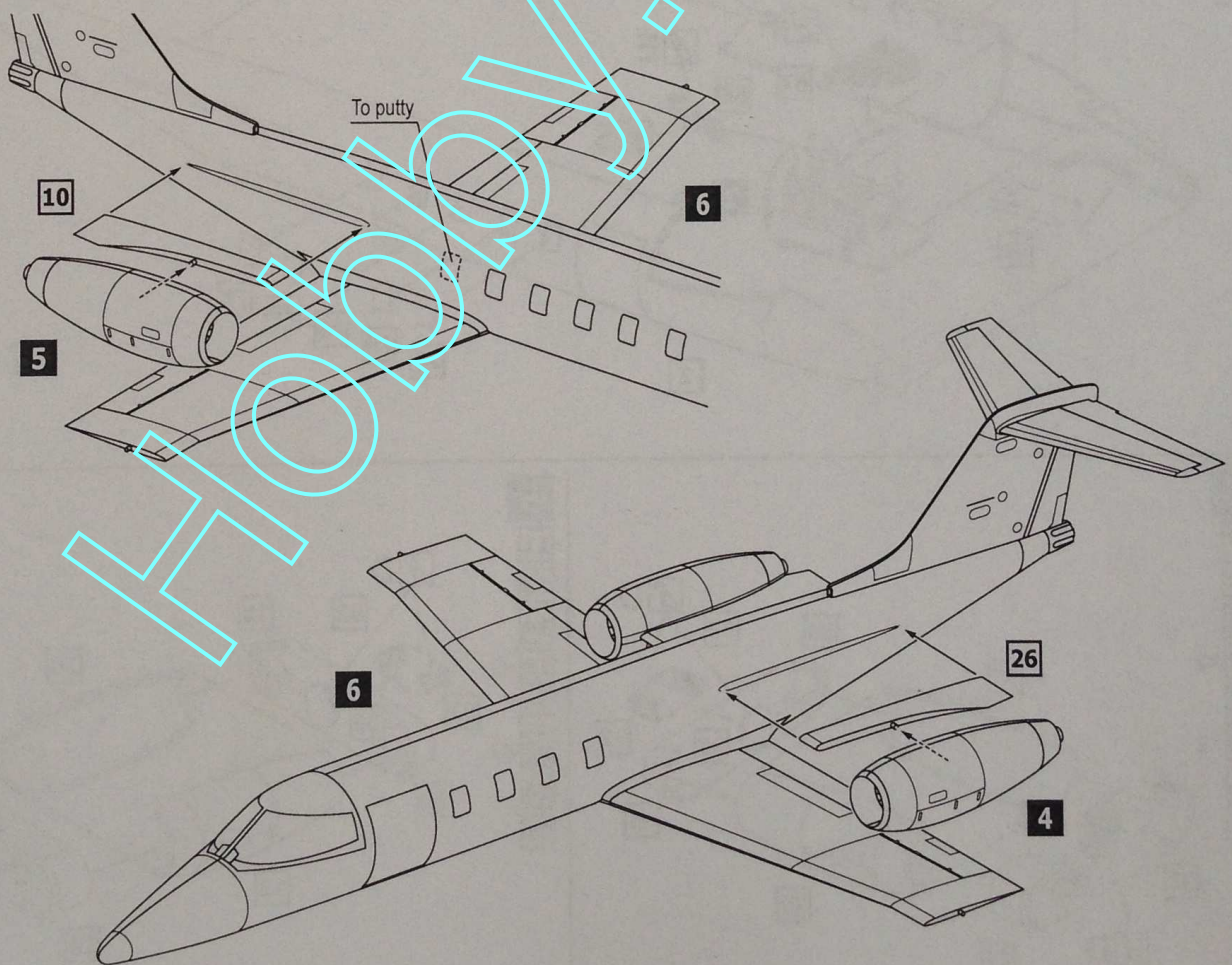
# ASSEMBLY INSTRUCTION



- 6
- 3
- 4
- 5
- 6
- 7
- 8
- 21
- 24



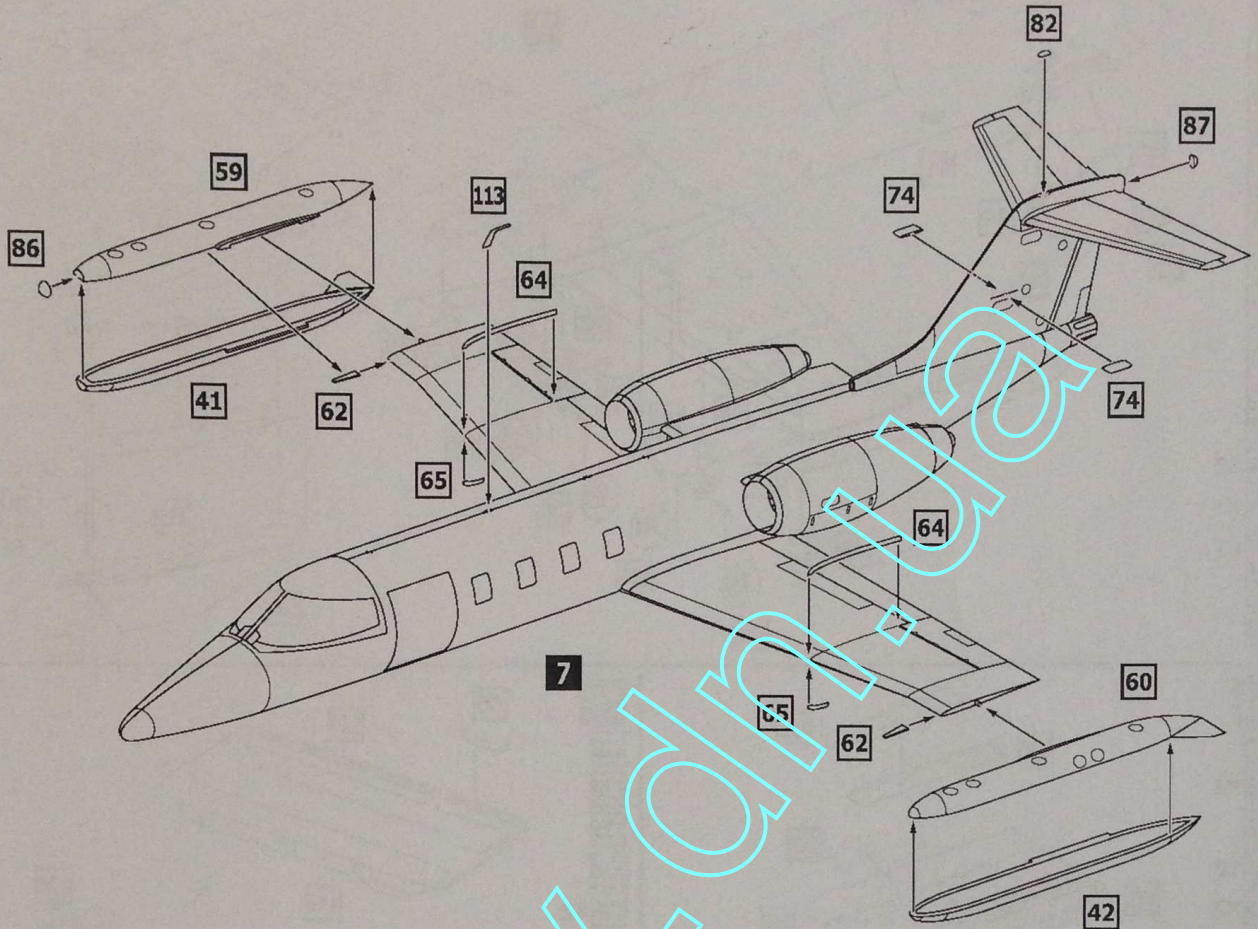
- 7
- 4
- 5
- 6
- 10
- 26



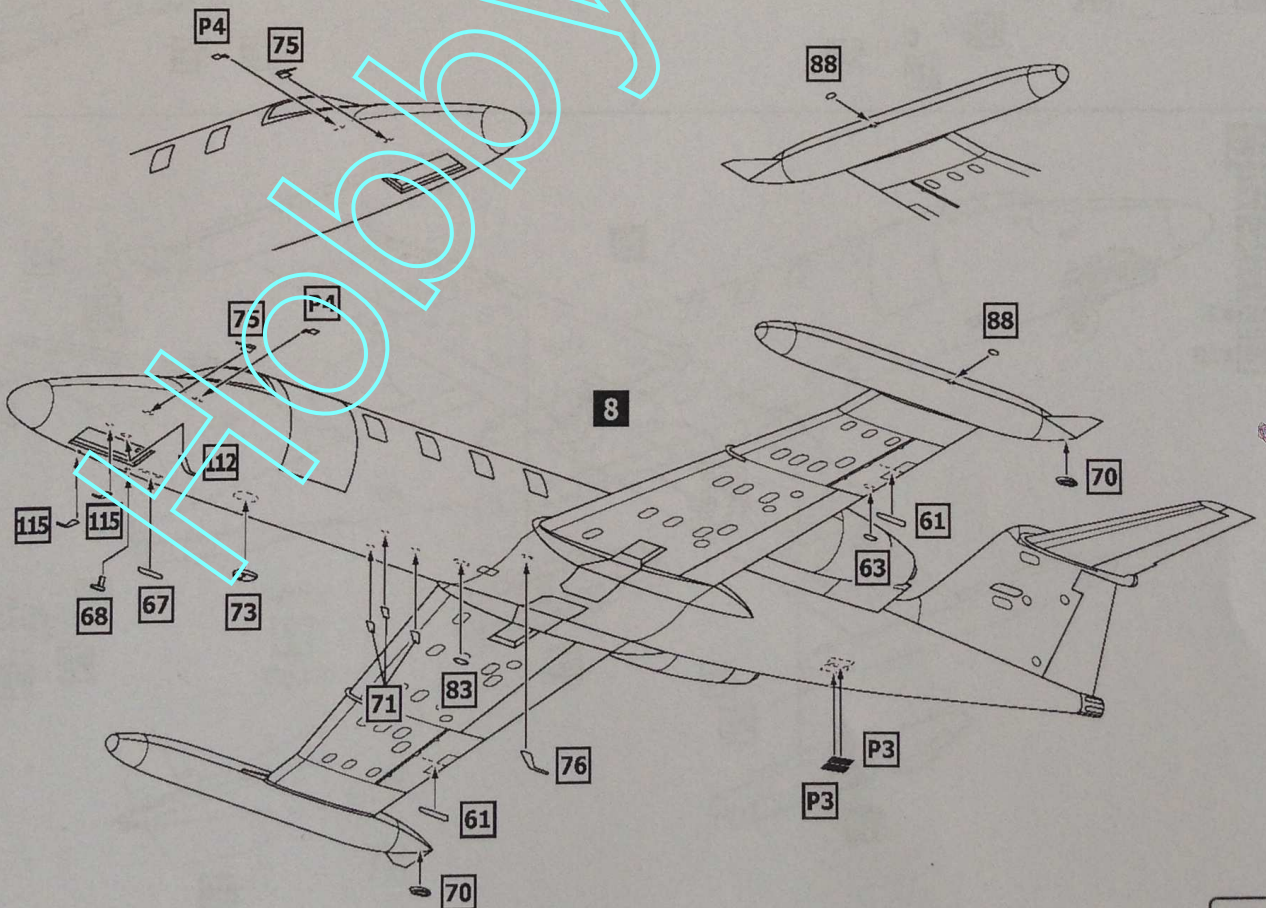
# ASSEMBLY INSTRUCTION



- 8**
- 7**
- 41**
- 42**
- 59**
- 60**
- 62 x2**
- 64 x2**
- 65 x2**
- 74 x2**
- 82**
- 86**
- 87**
- 113**



- 9**
- 8**
- 61 x2**
- 63**
- 67**
- 68**
- 70 x2**
- 71 x3**
- 73**
- 75 x2**
- 76**
- 83**
- 88 x2**
- 112**
- 115 x2**
- P3 x2**
- P4 x2**



# ASSEMBLY INSTRUCTION



**10**

**9**

**39**

**43**

**44**

**45**

**46**

**48**

**50**

**51**

**85**

**89**

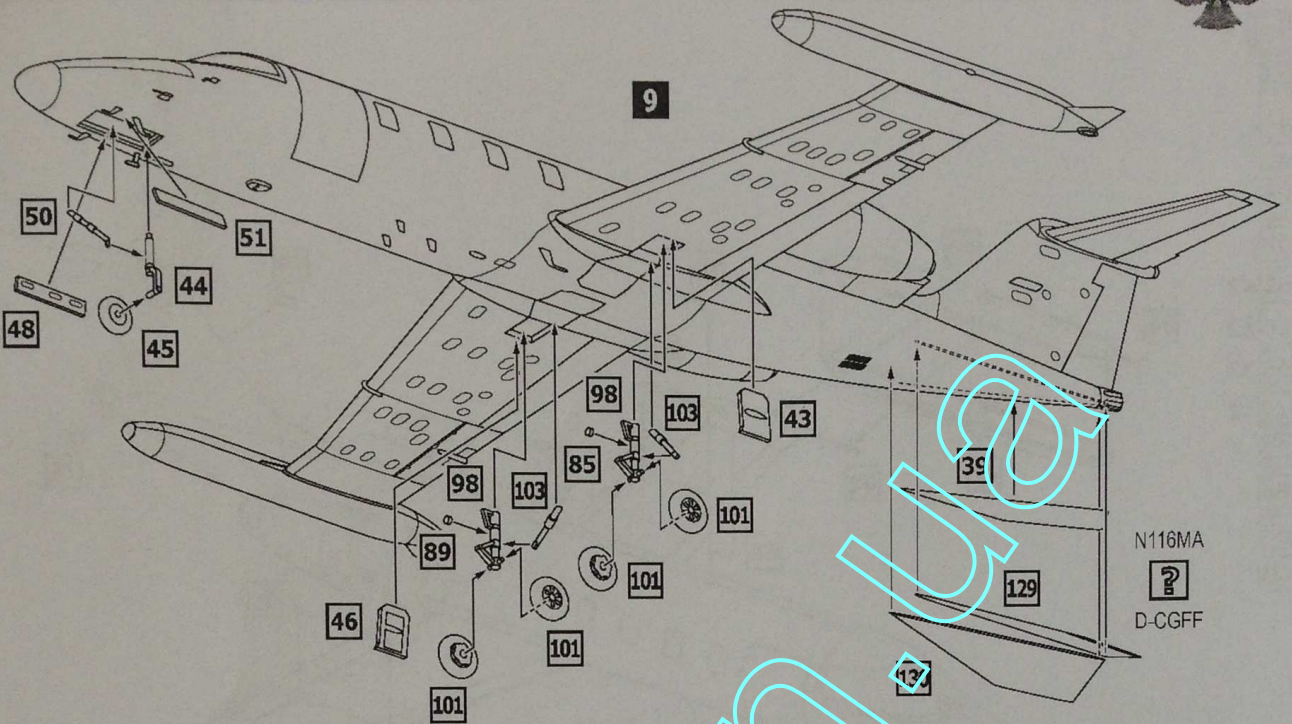
**98 x2**

**101 x4**

**103 x2**

**129**

**130**



N116MA

**?**  
D-CGFF

**11**

**117**

**118 x2**

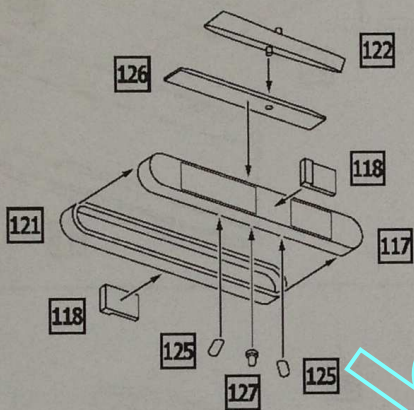
**121**

**122 x8**

**125 x2**

**126**

**127**



**12**

**119**

**120**

**123**

**124**

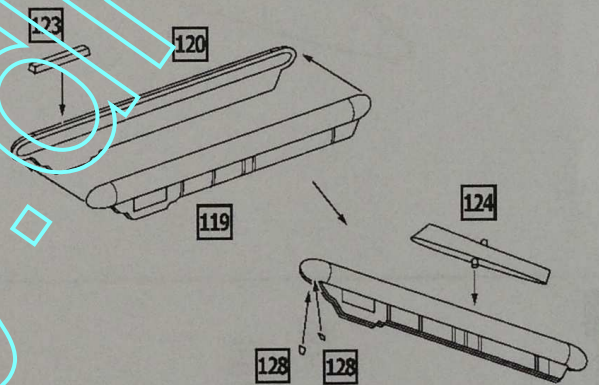
**128 x2**

**123**

**124**

**128**

**128**



**13**

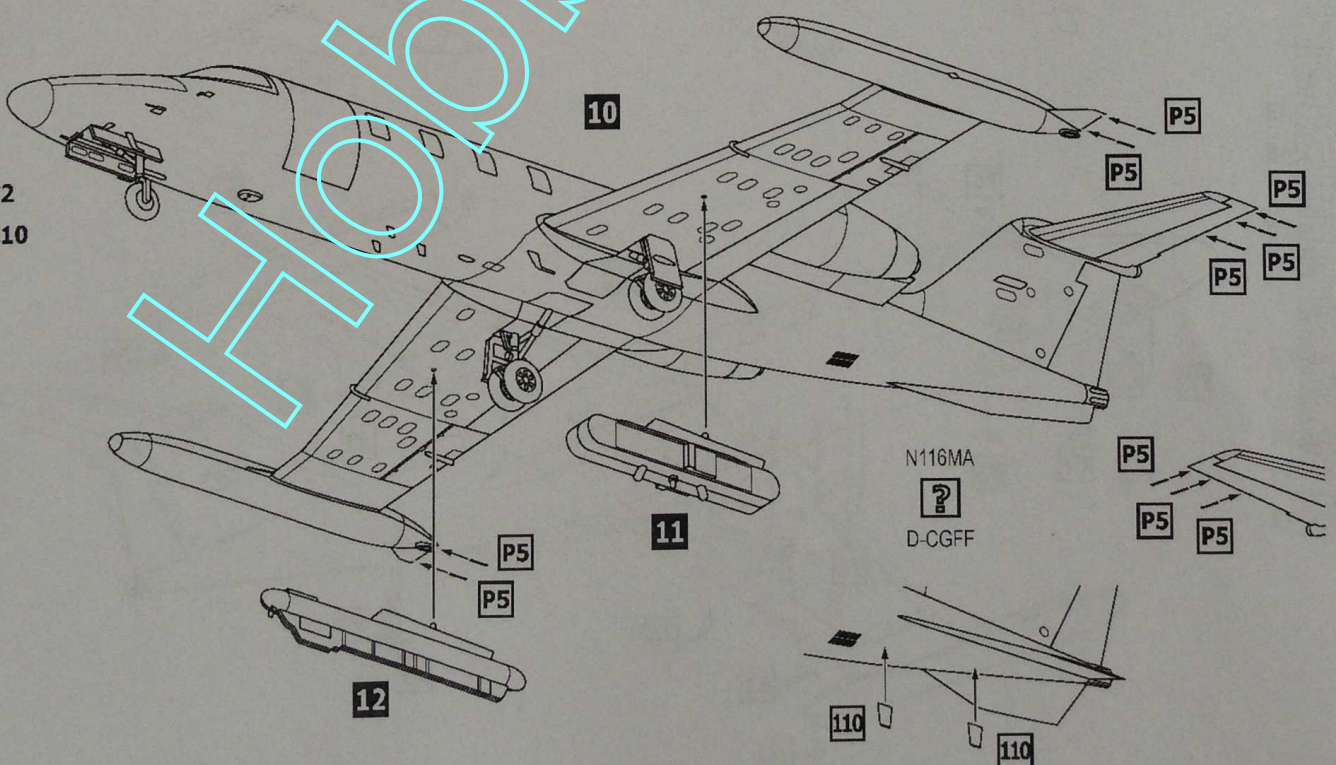
**10**

**11**

**12**

**110 x2**

**P5 x10**

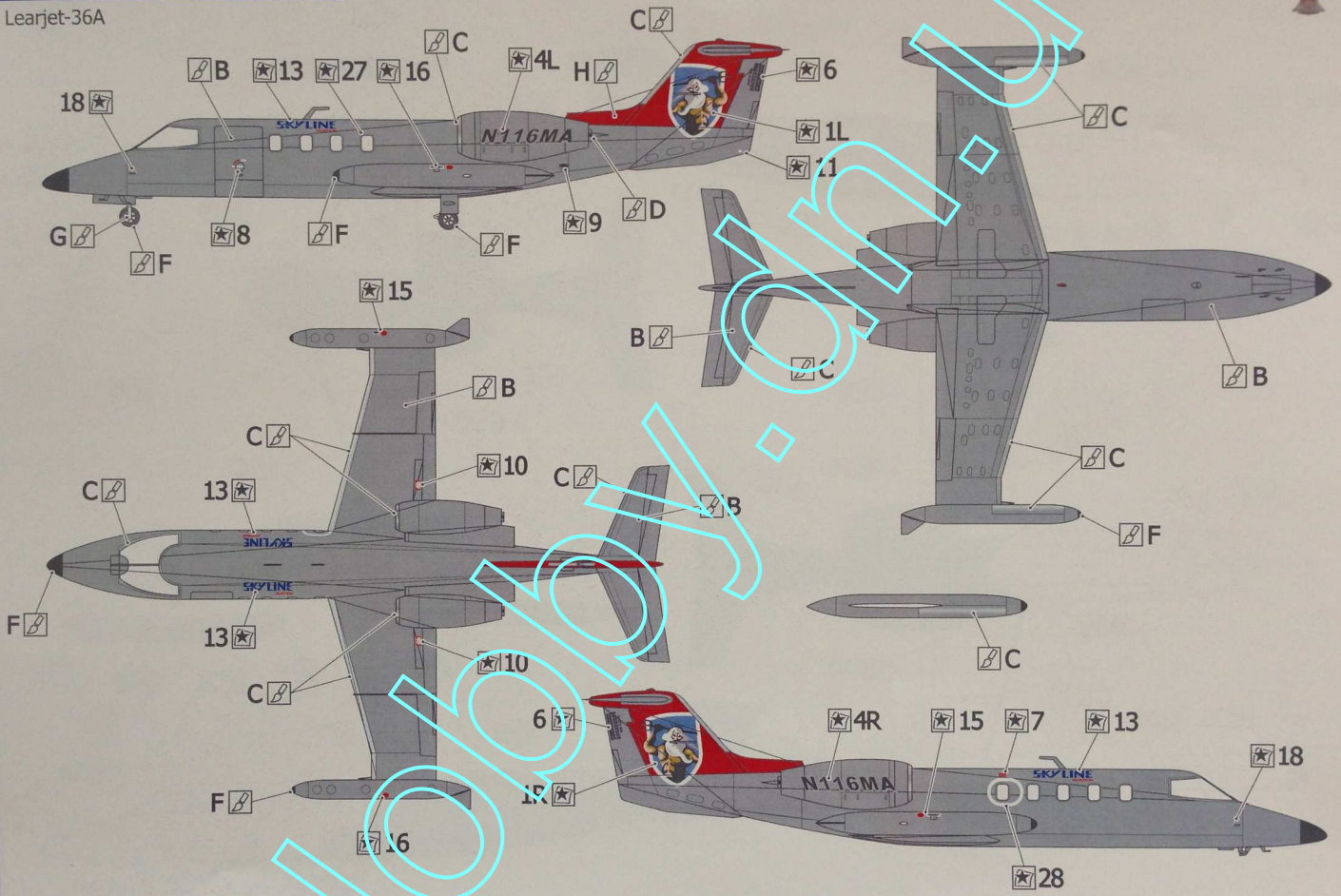


N116MA

**?**  
D-CGFF

# MARKING & PAINTING

Learjet-36A



# MARKING & PAINTING

Learjet-36A

