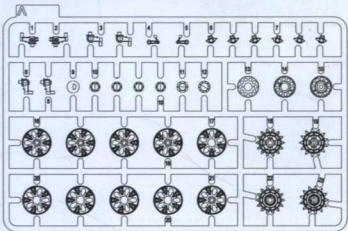
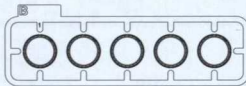


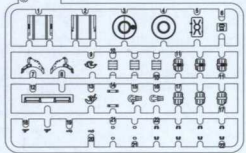
PARTS



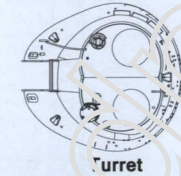
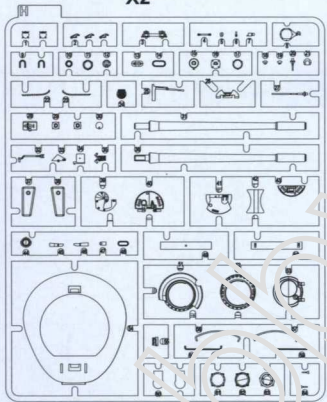
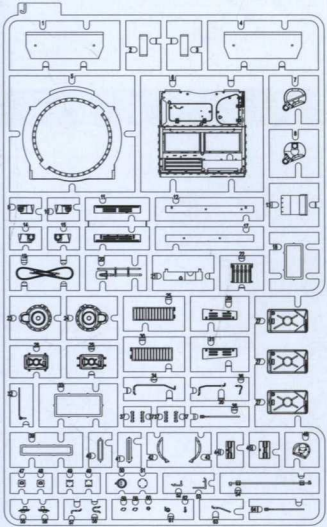
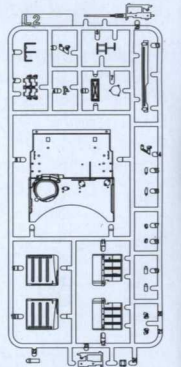
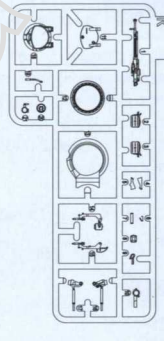
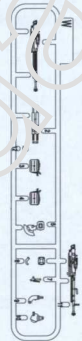
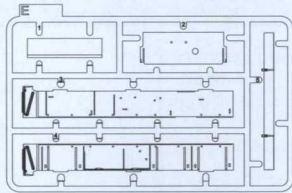
X2



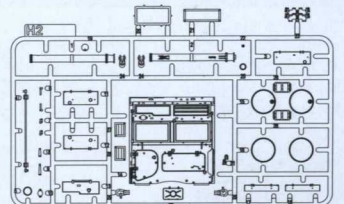
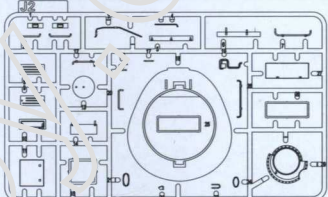
X4



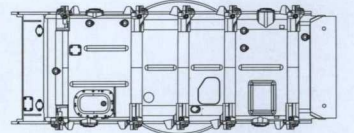
X2



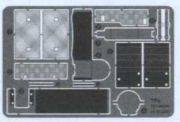
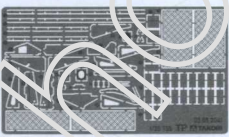
Turret



Decal

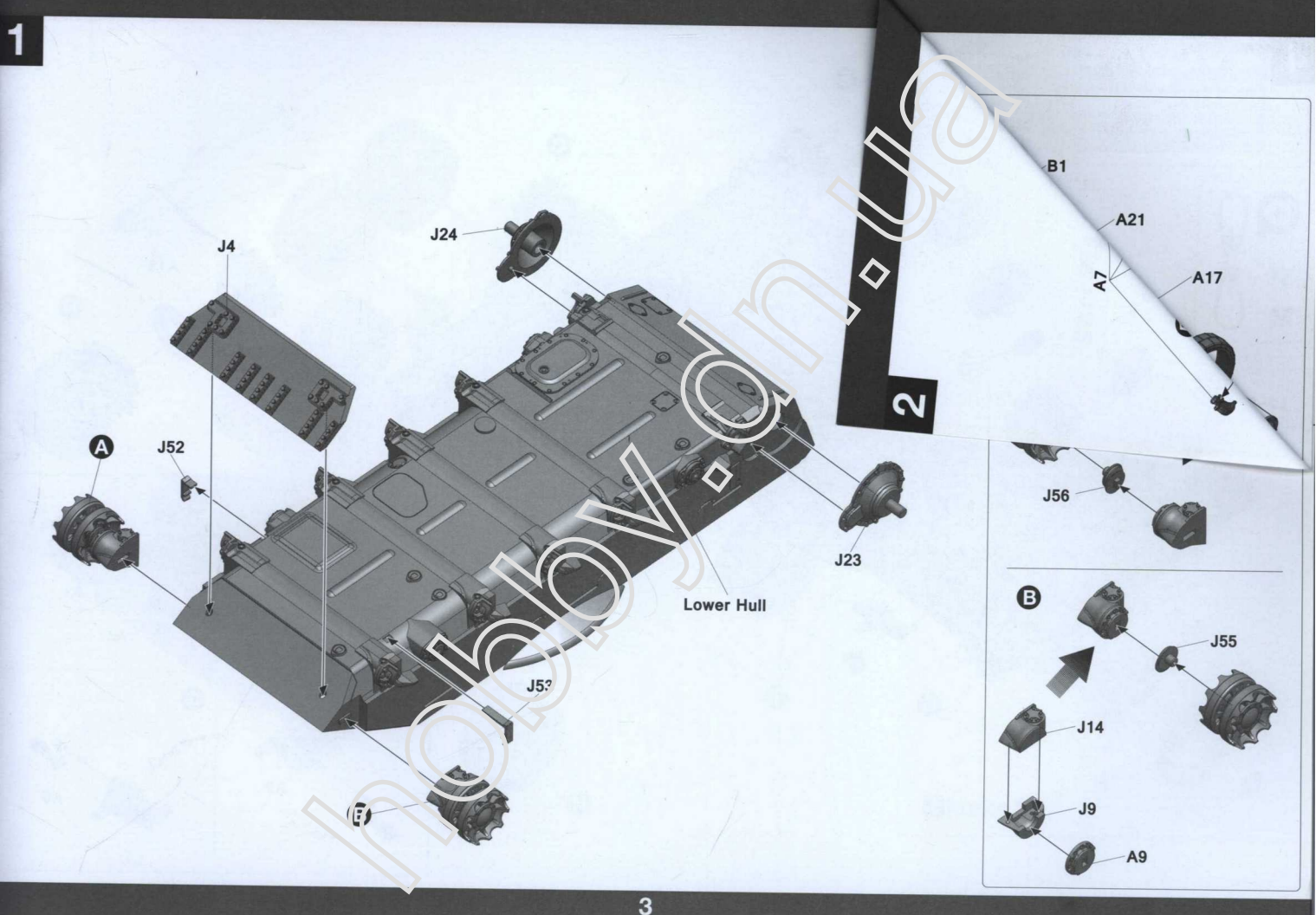


Lower Hull

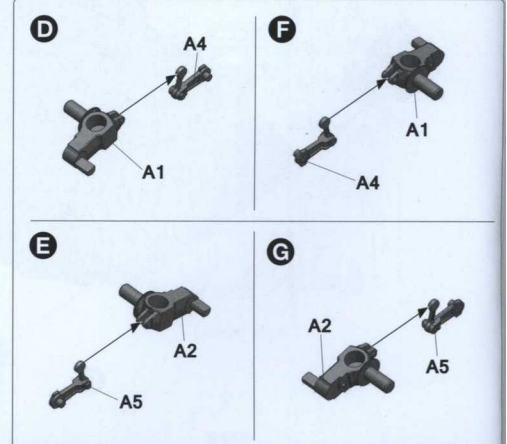
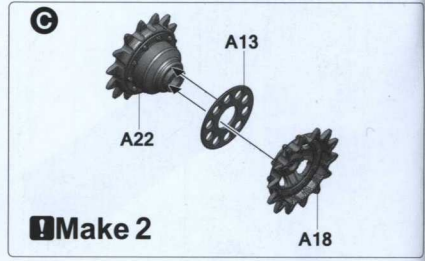
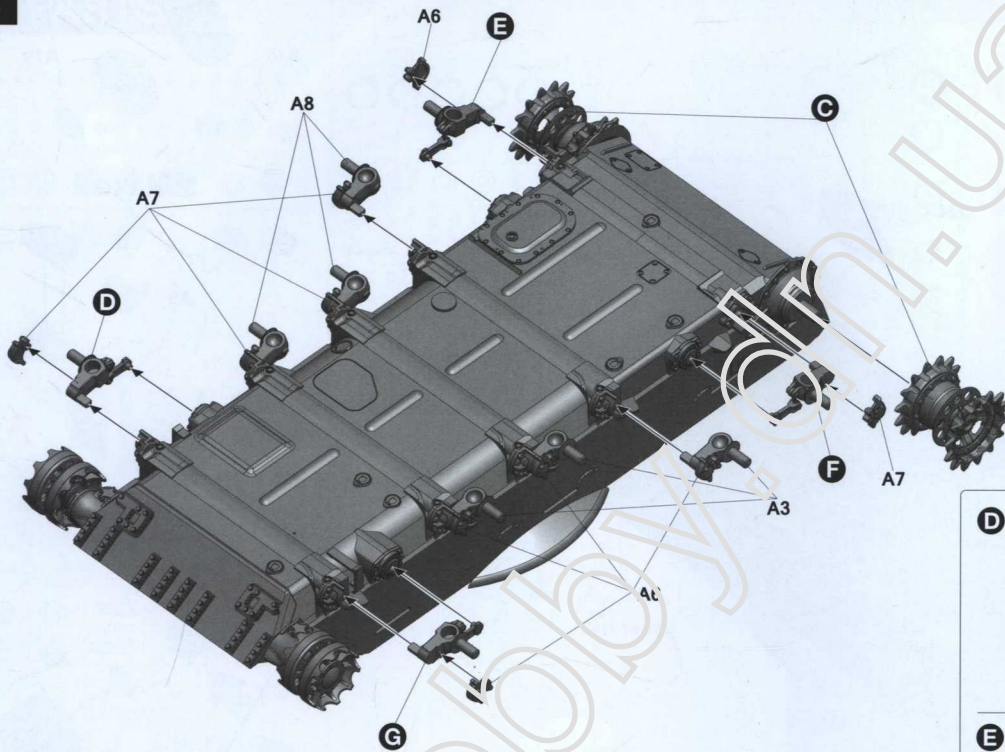


X184

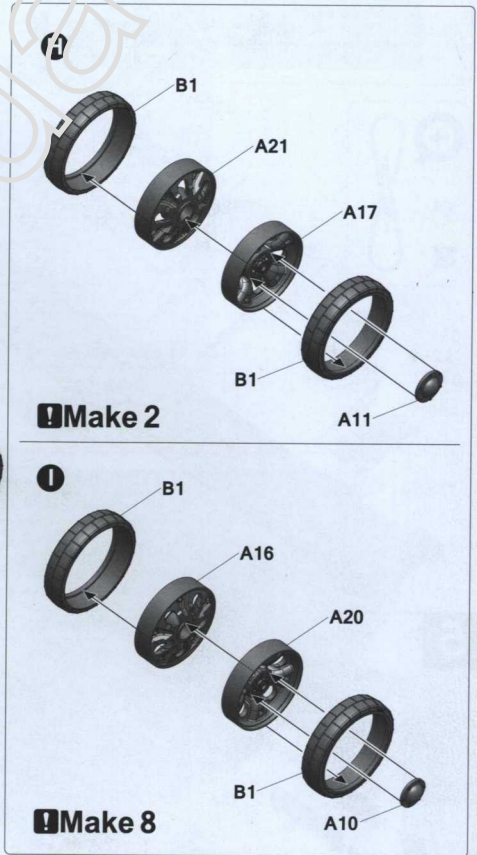
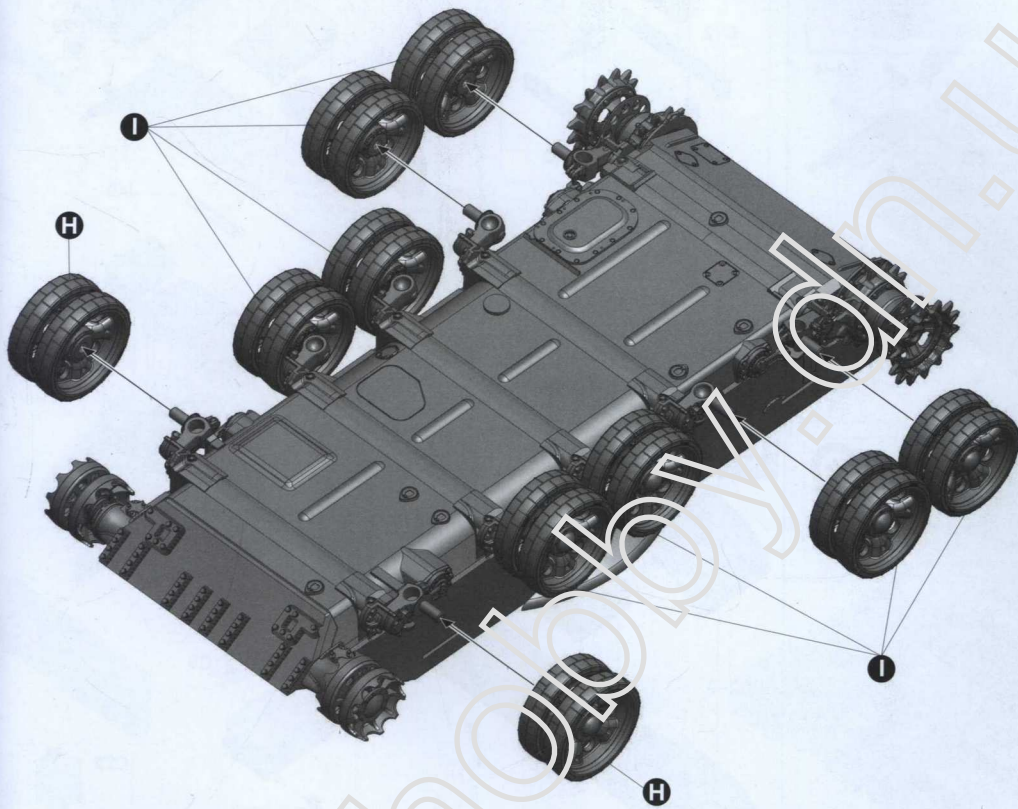
Cable



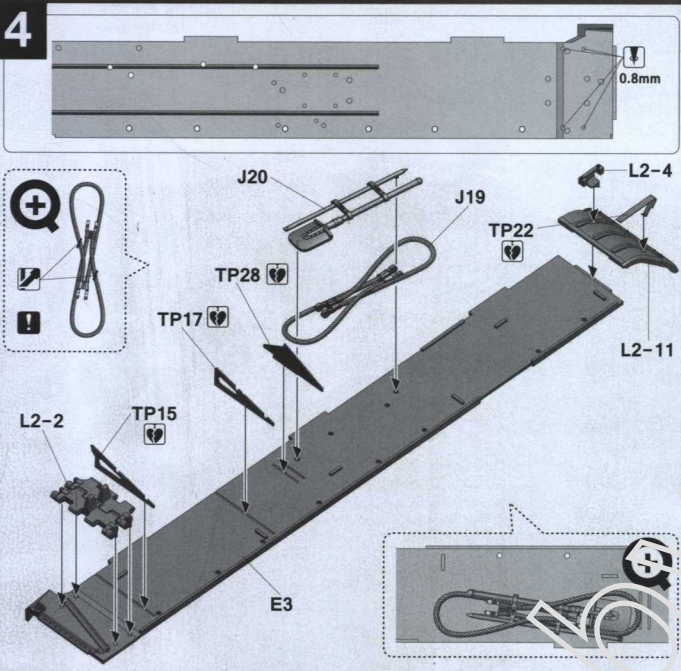
2



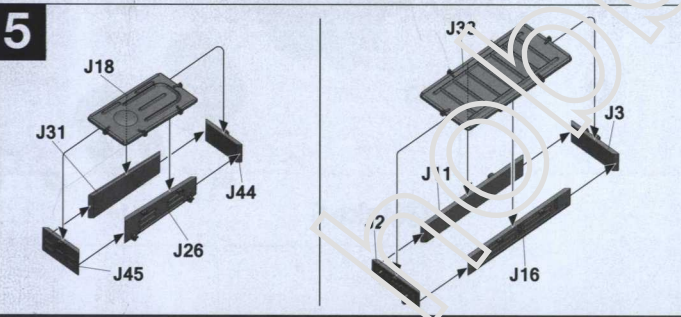
3



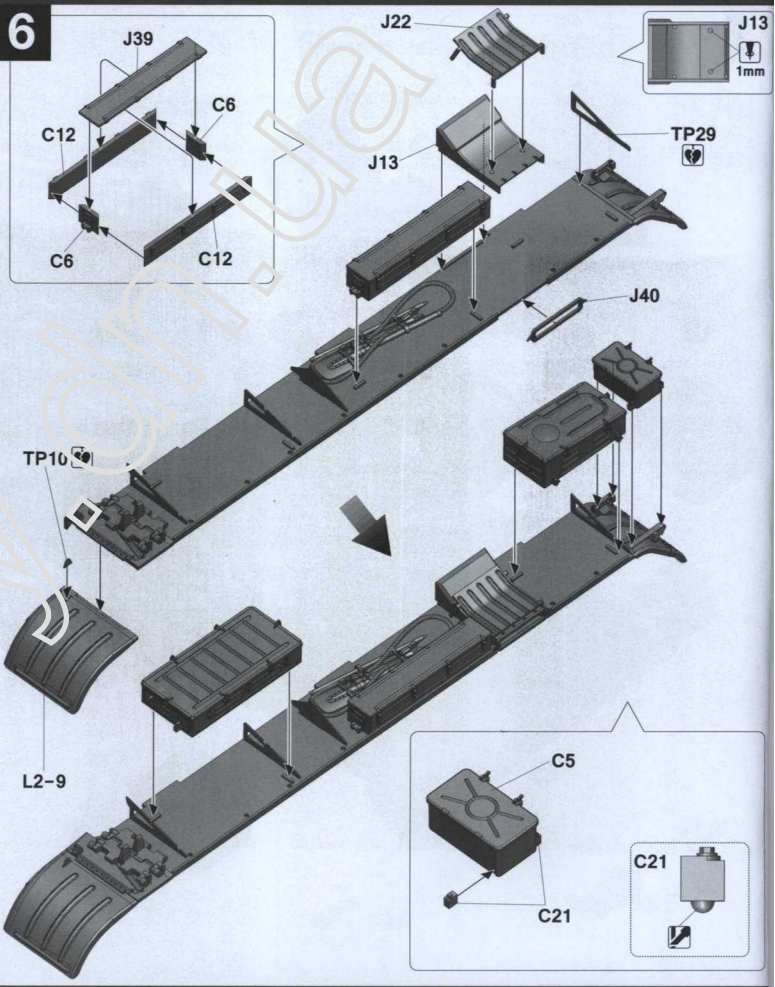
4



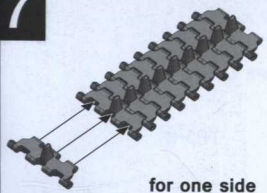
5



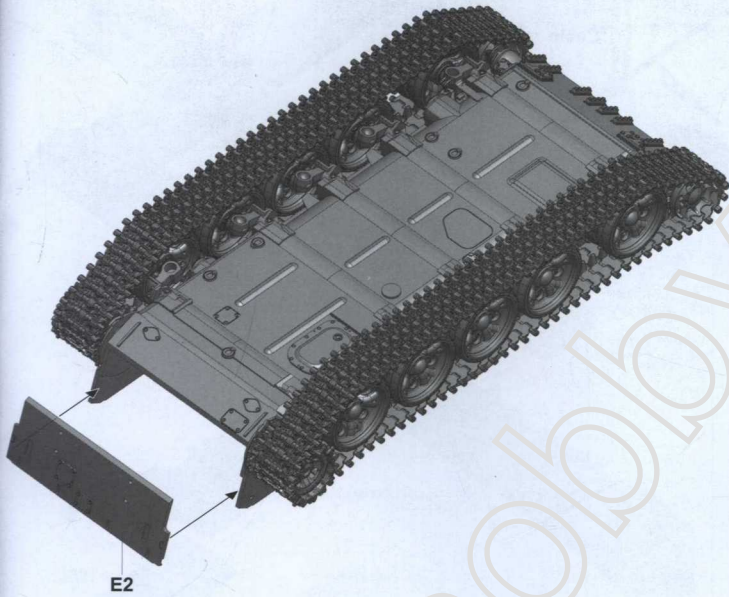
6



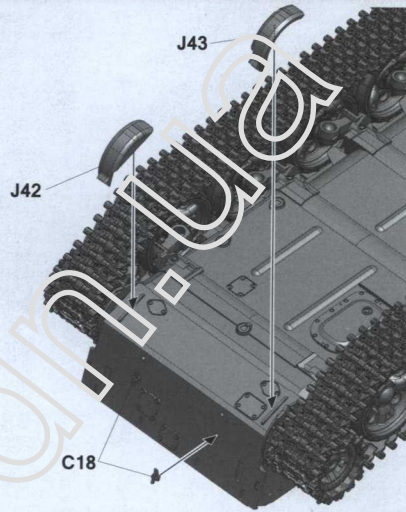
7



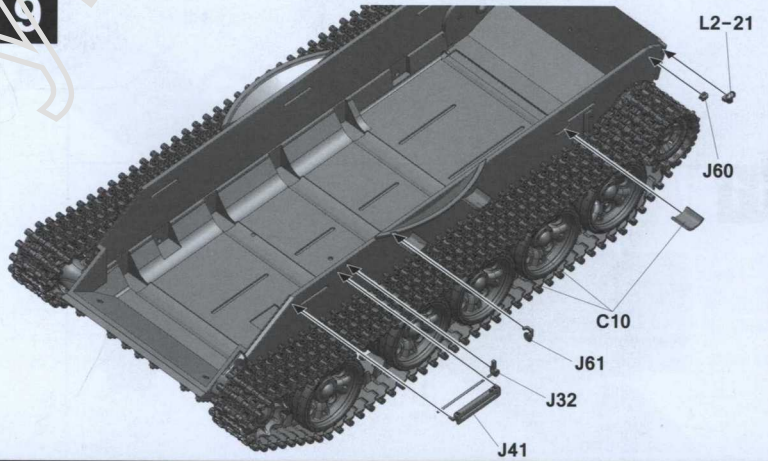
for one side
Make 92



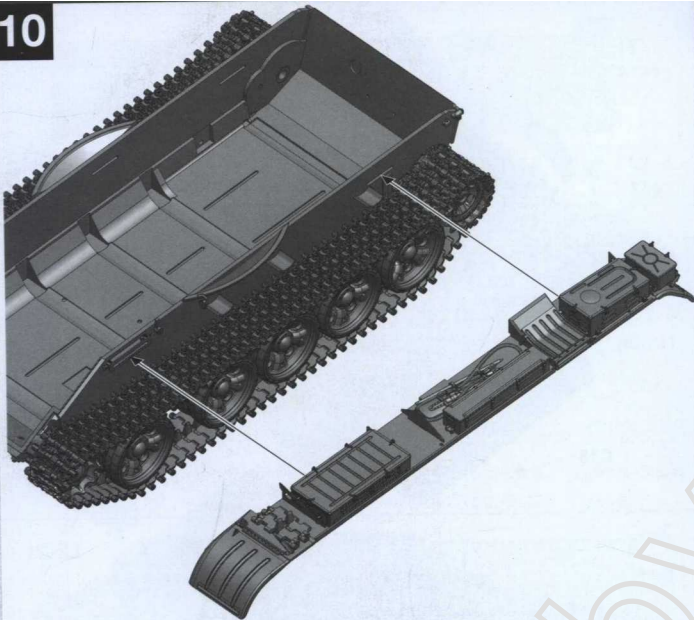
8



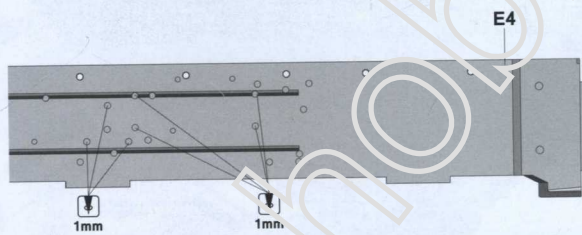
9



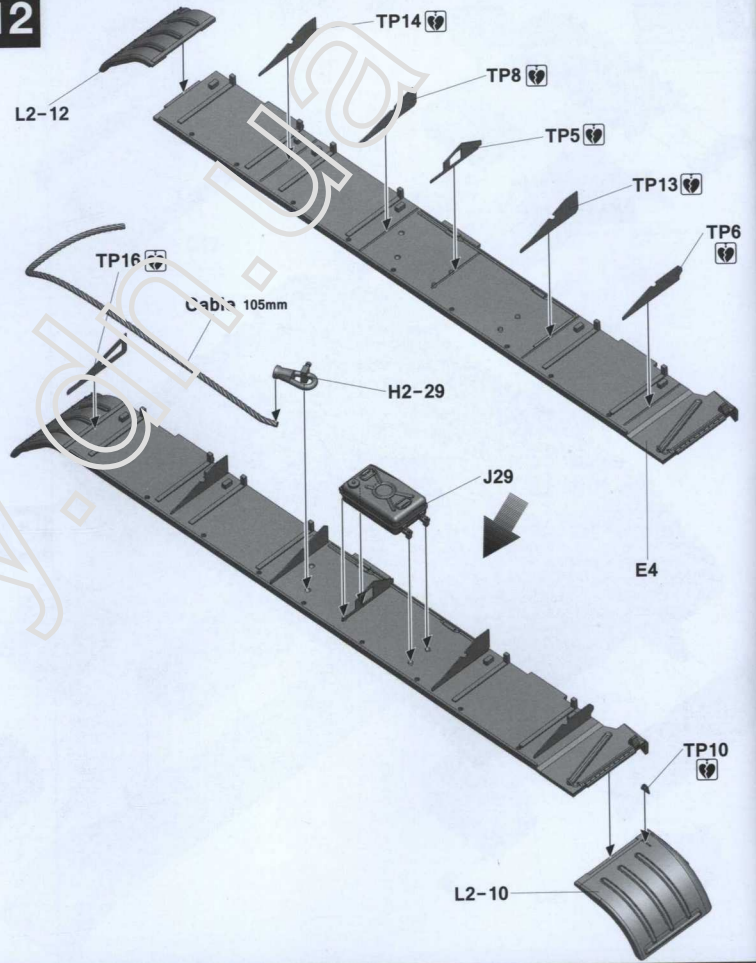
10



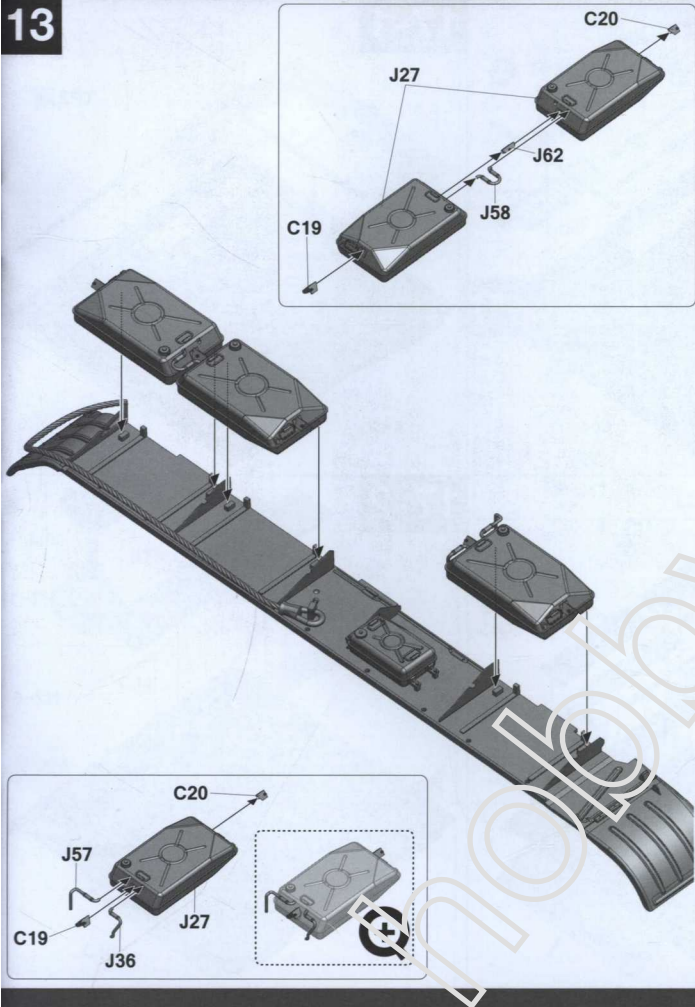
11



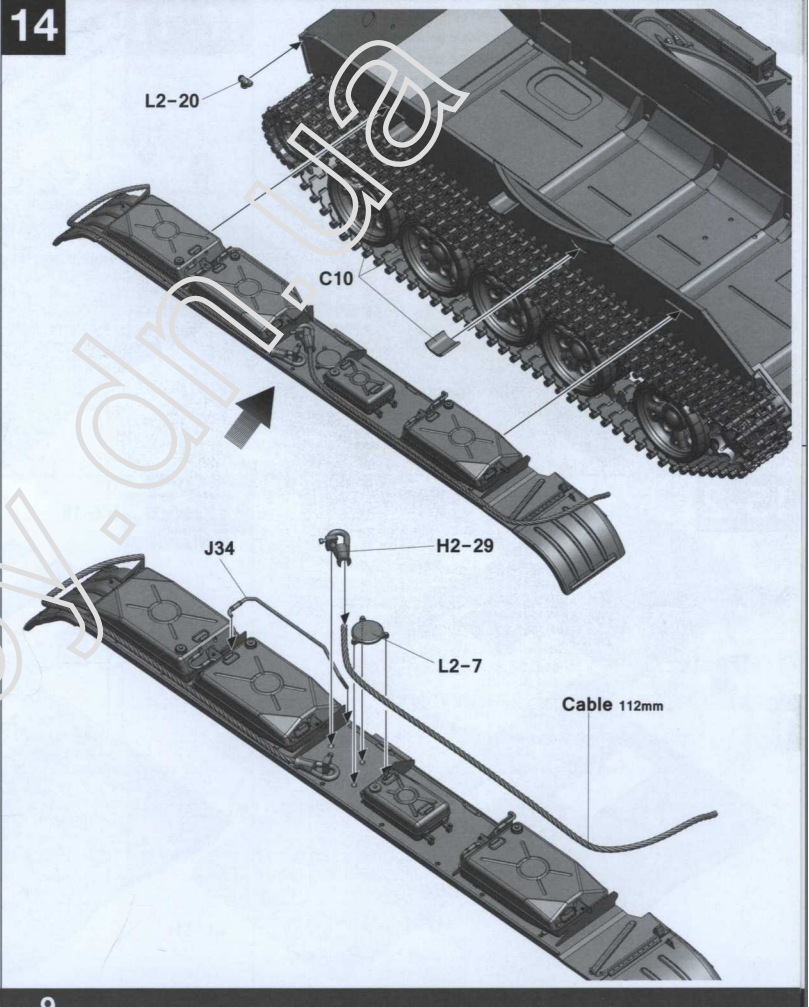
12



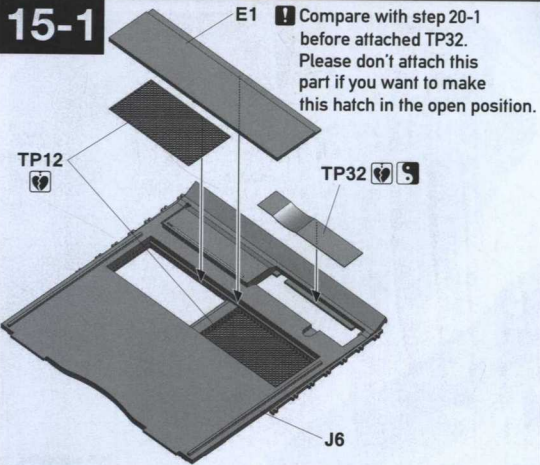
13



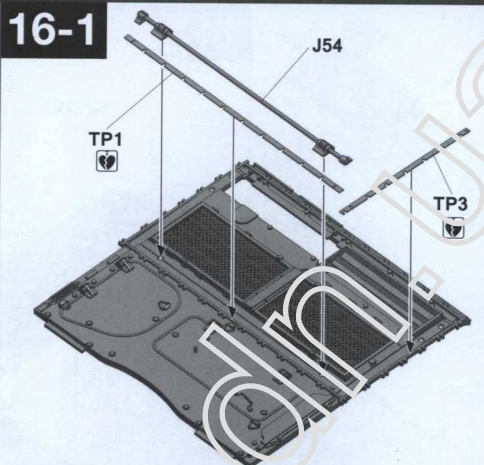
14



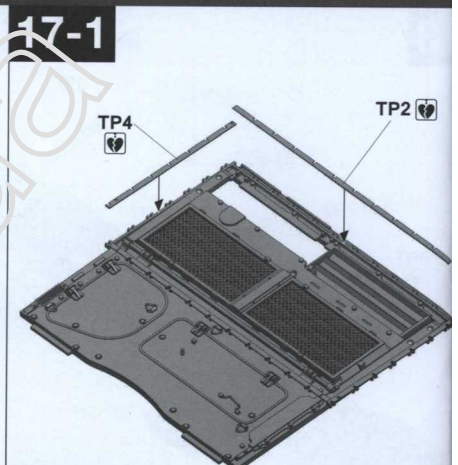
15-1



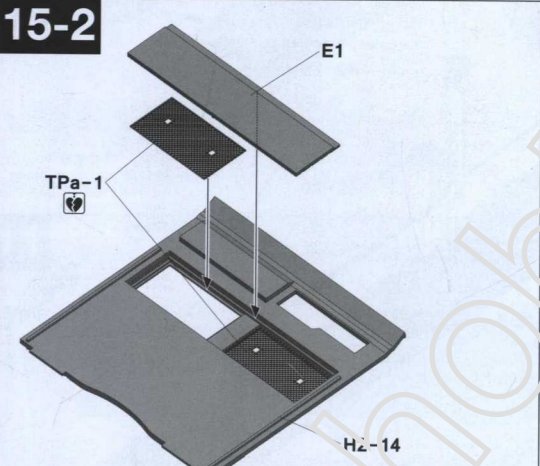
16-1



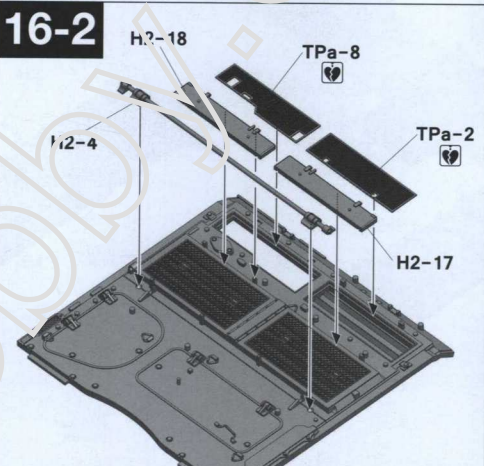
17-1



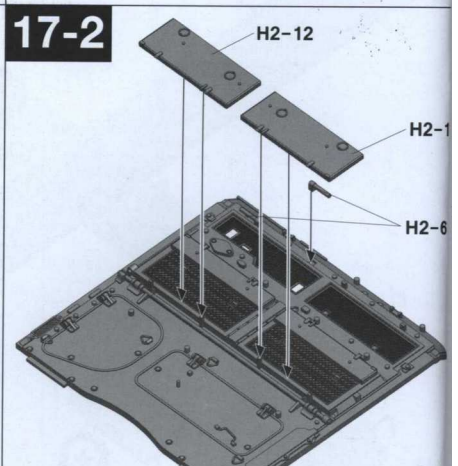
15-2



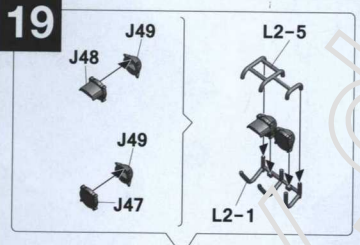
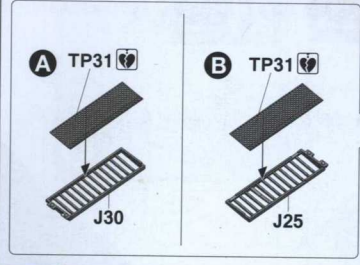
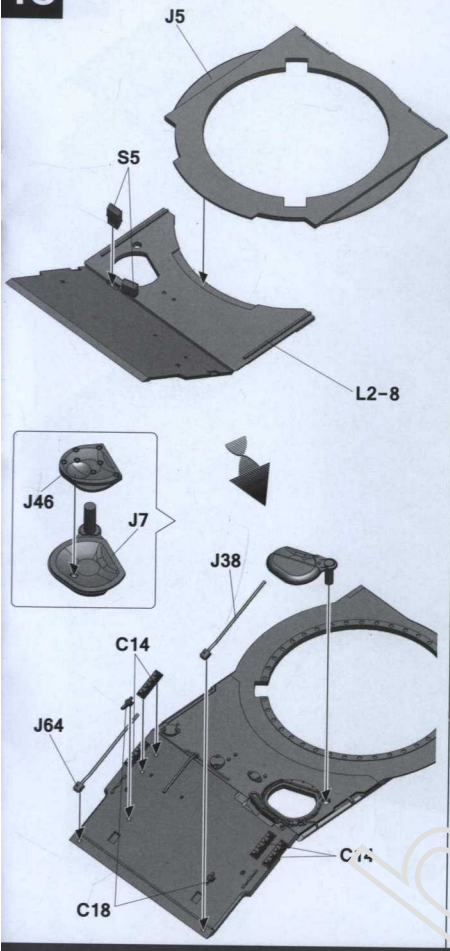
16-2



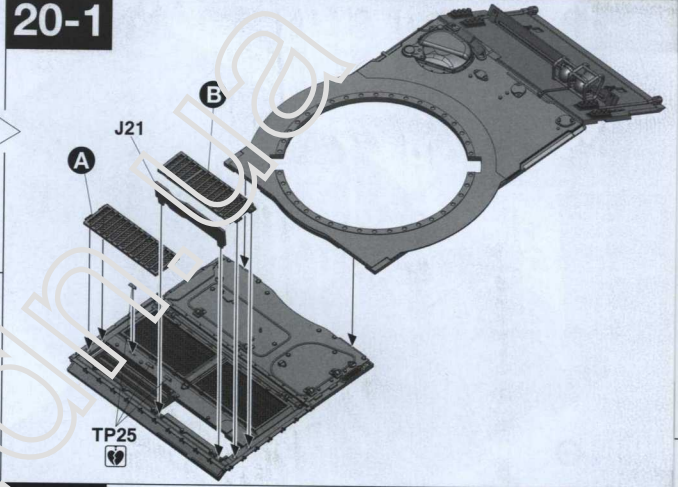
17-2



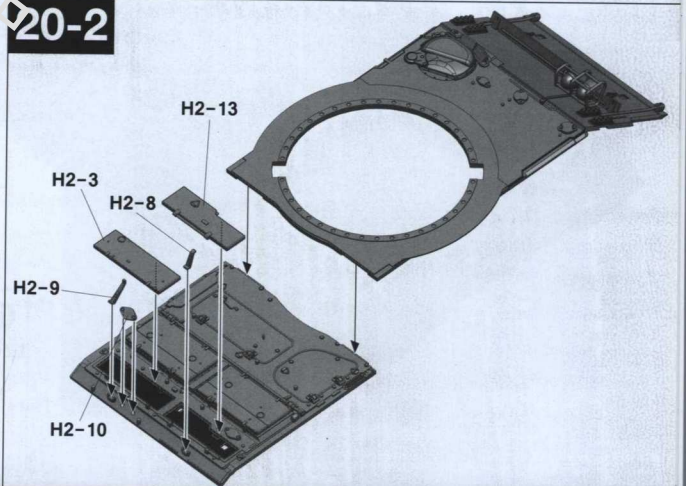
18



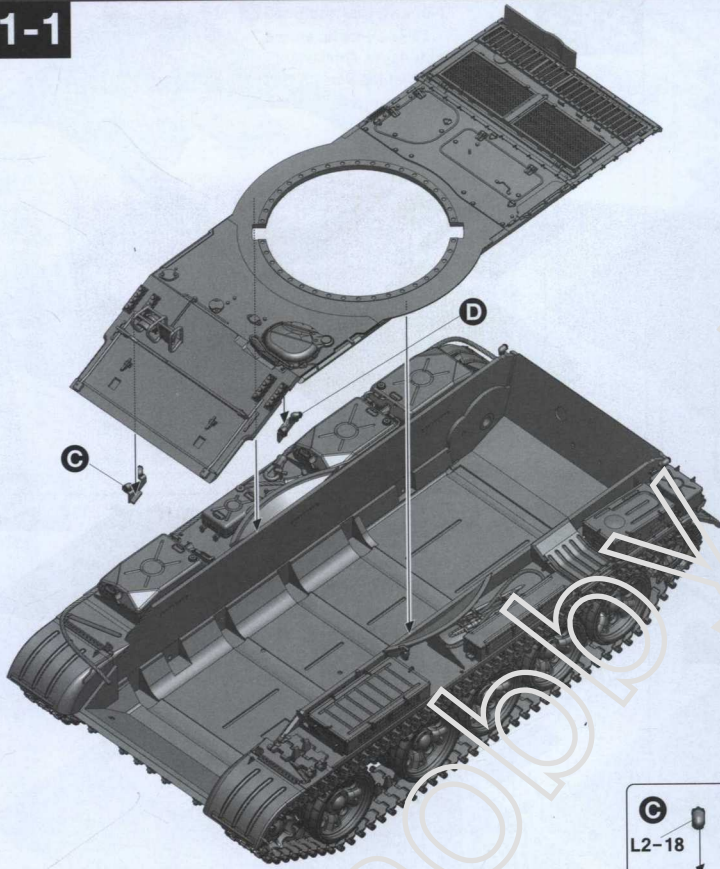
20-1



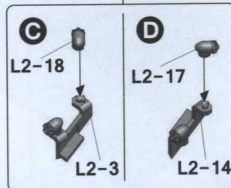
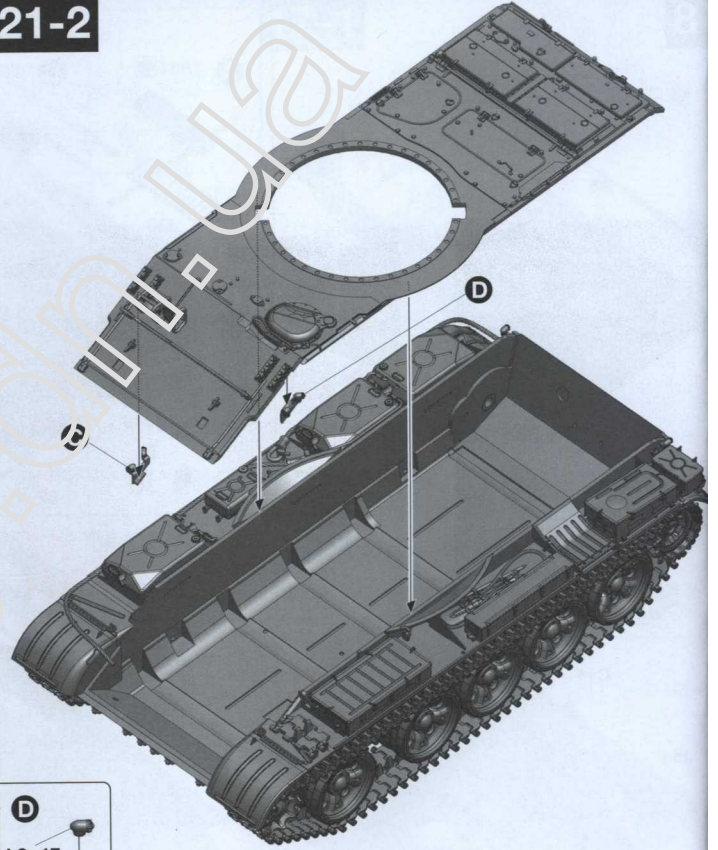
20-2

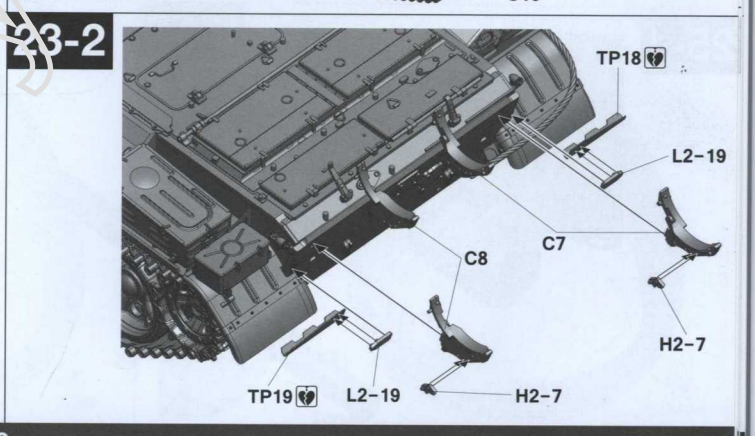
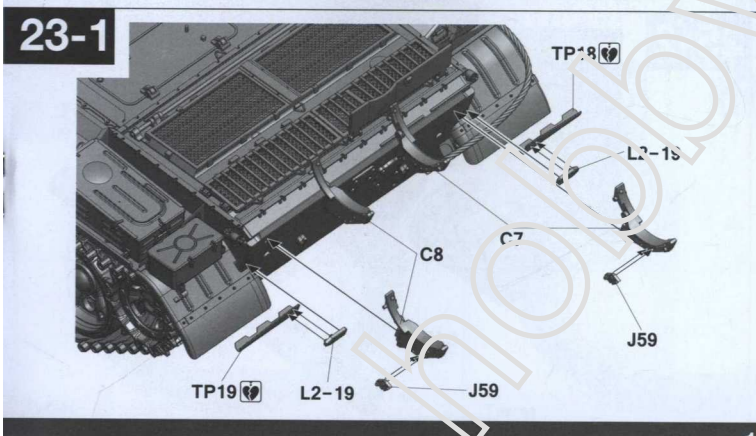
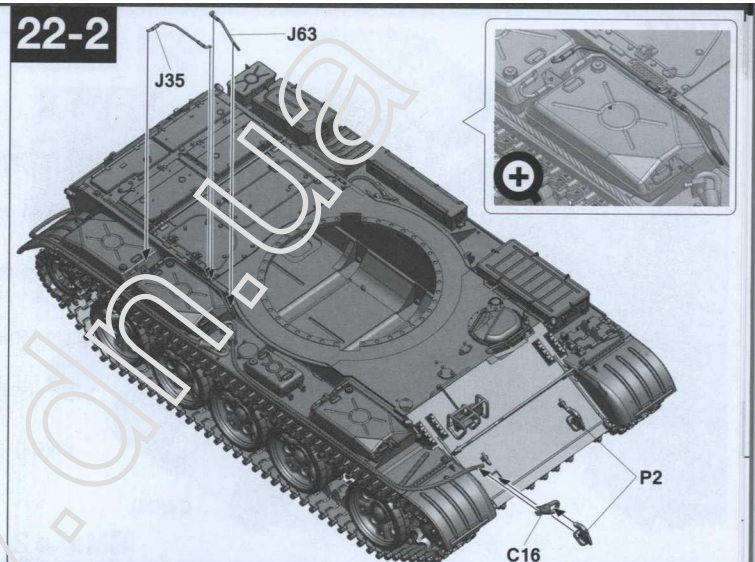
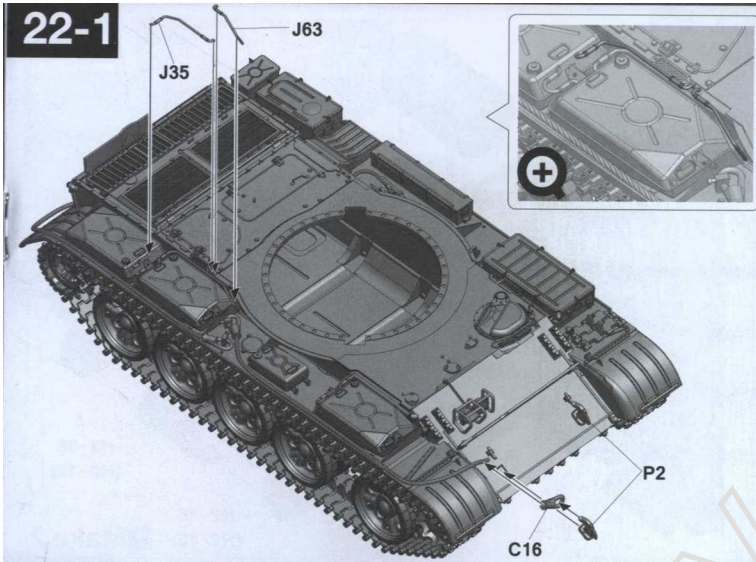


21-1

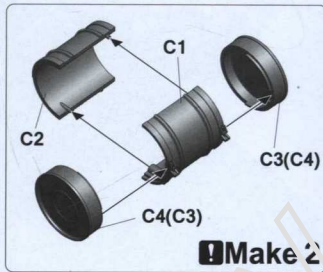
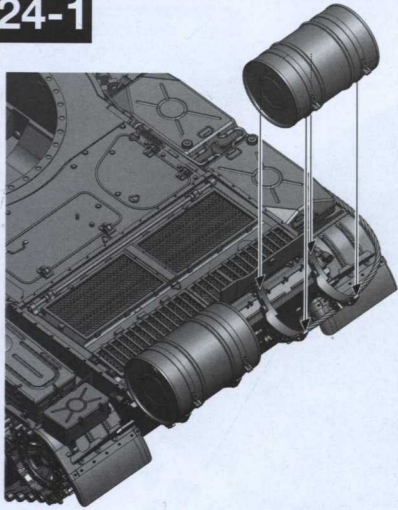


21-2

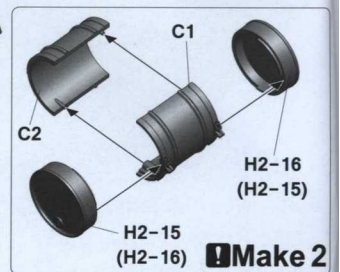
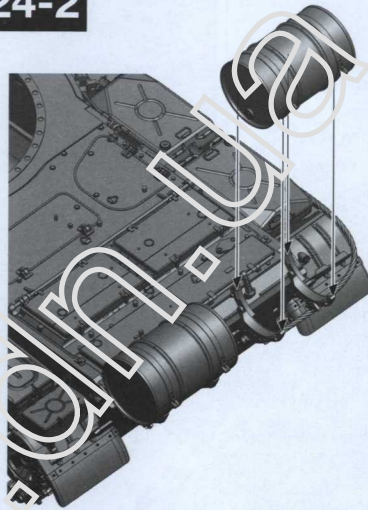




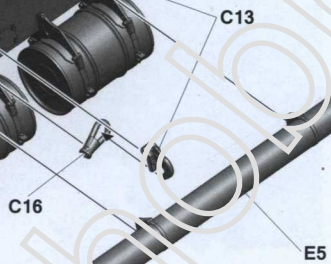
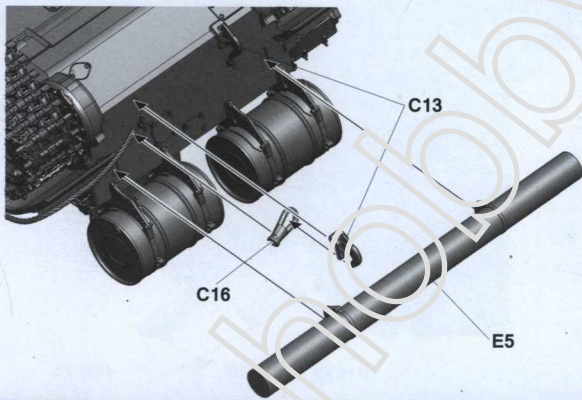
24-1



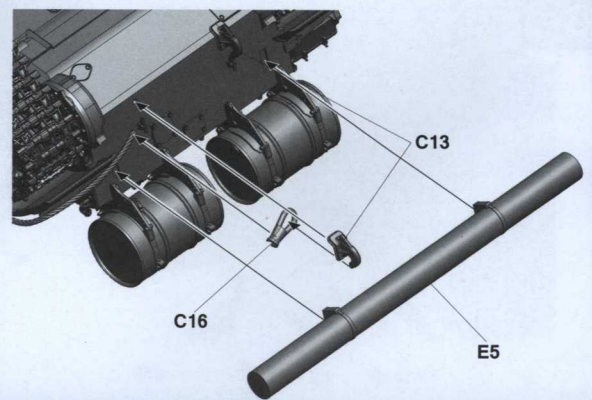
24-2

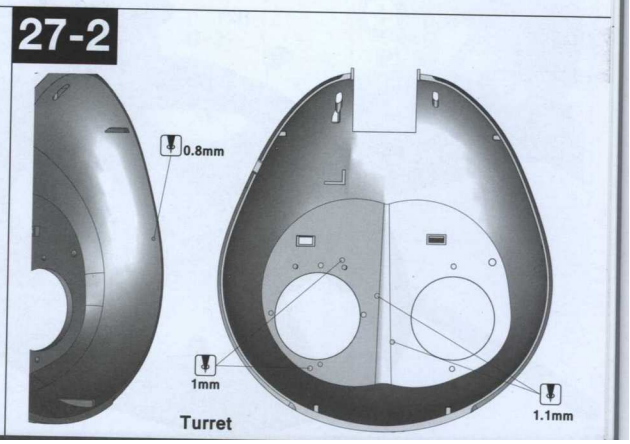
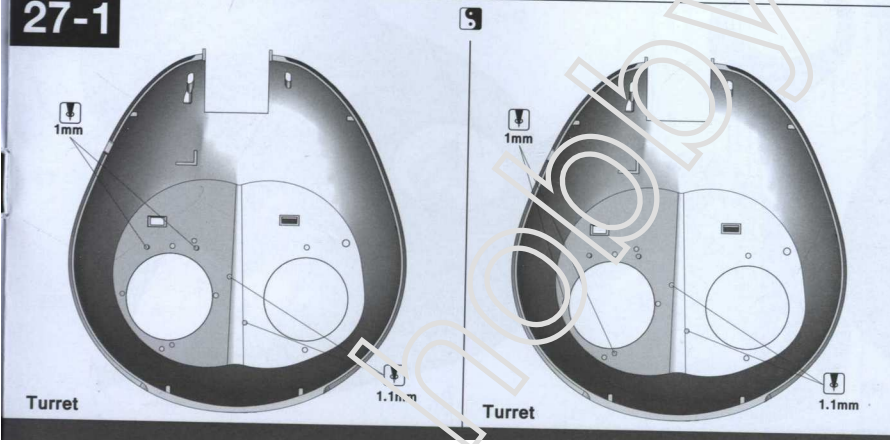
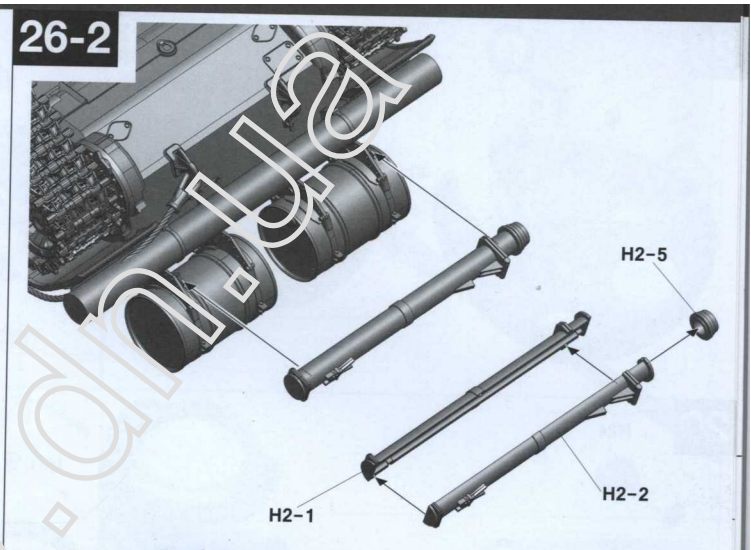
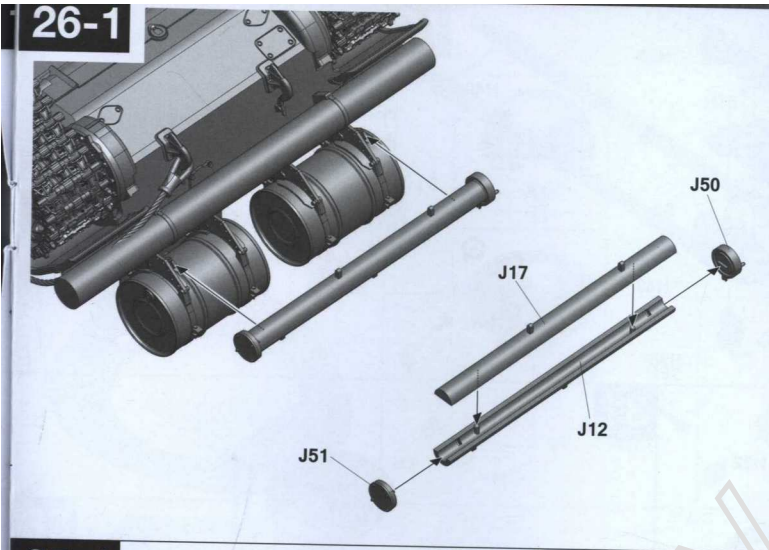


25-1

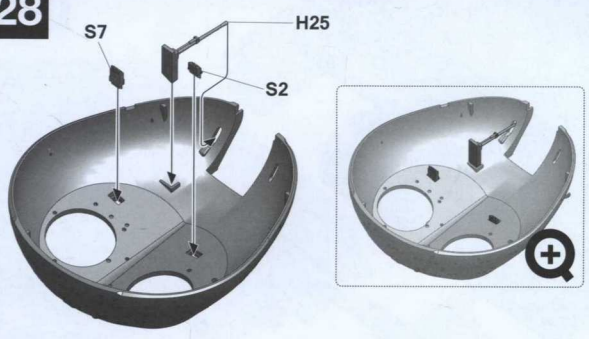


25-2

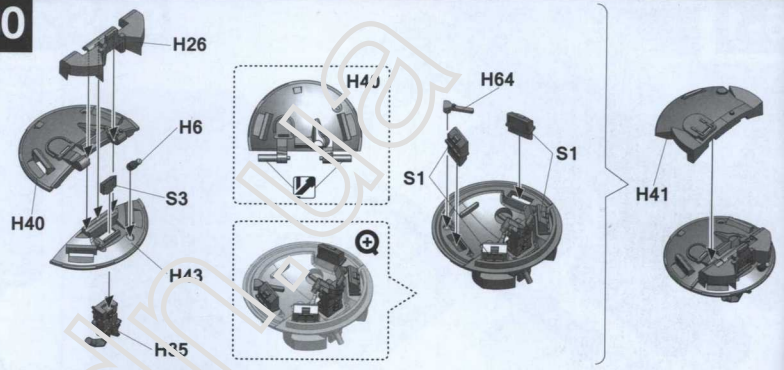




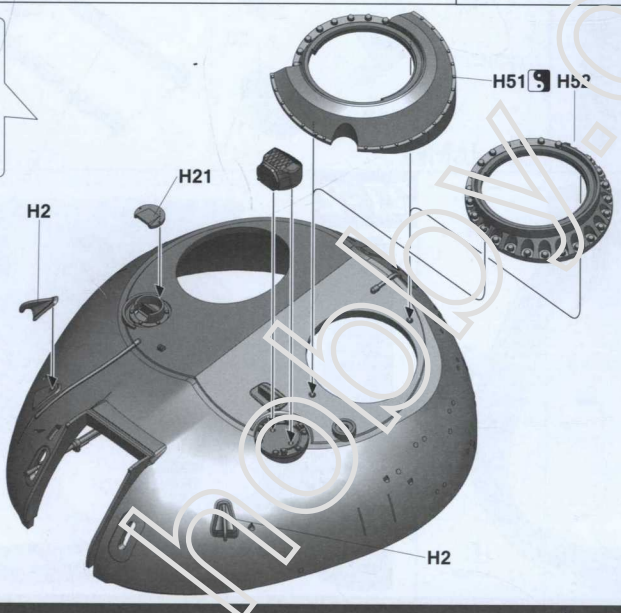
28



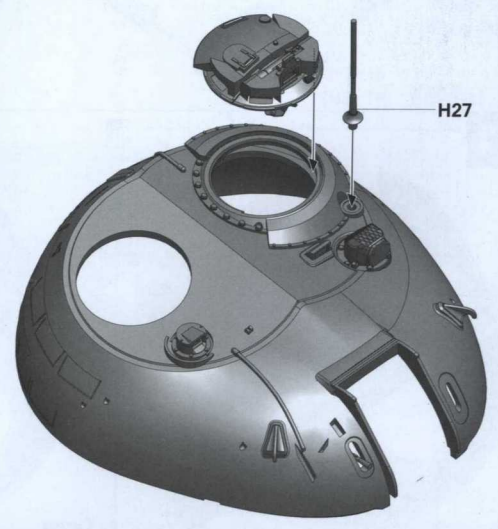
30



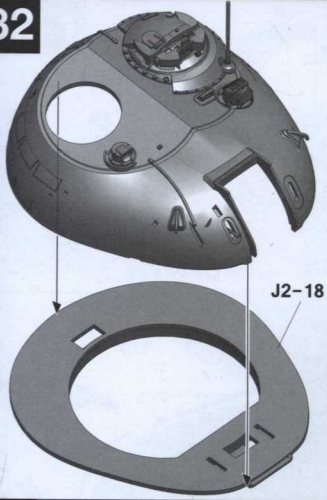
29



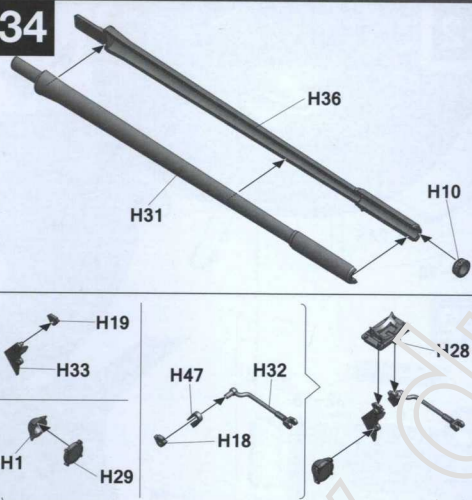
31



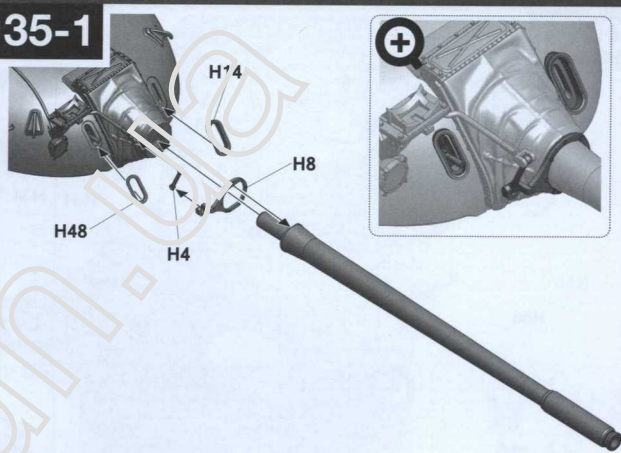
32



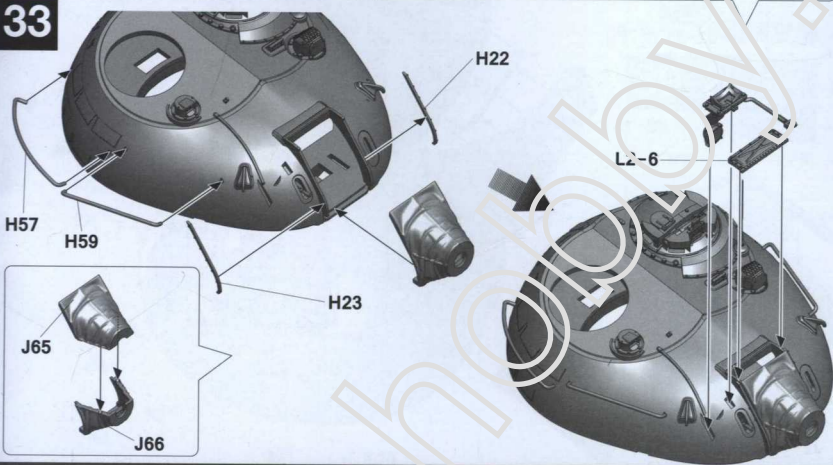
34



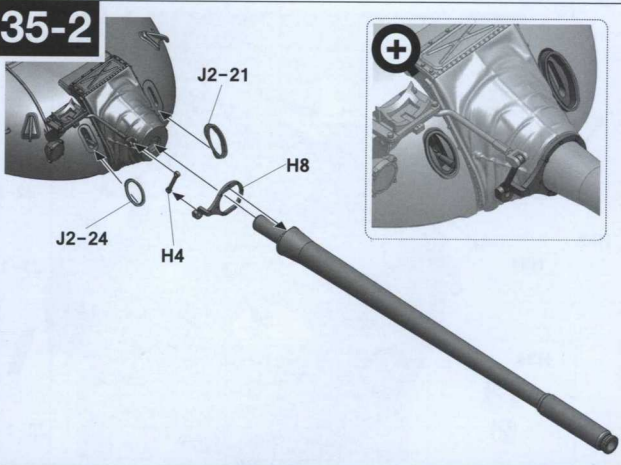
35-1



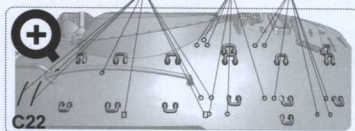
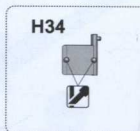
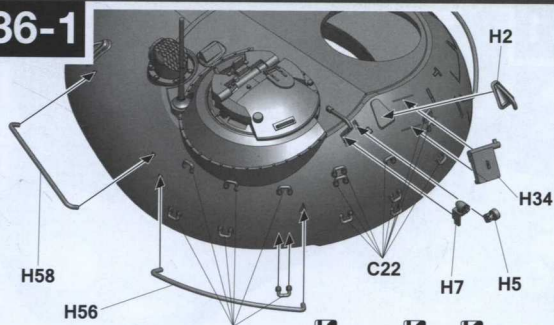
33



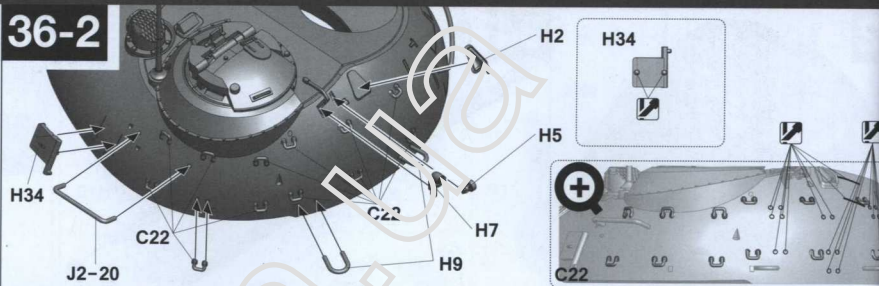
35-2



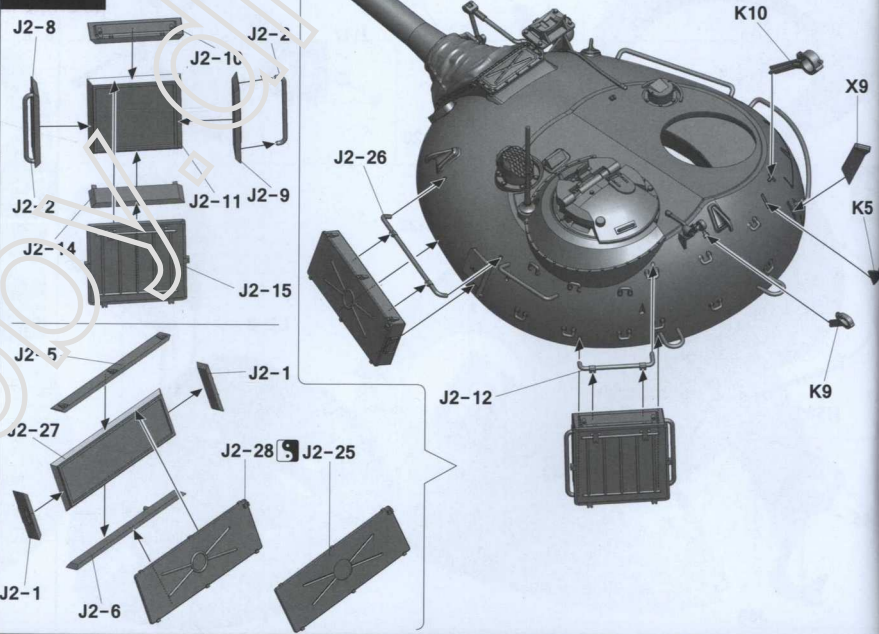
236-1



36-2



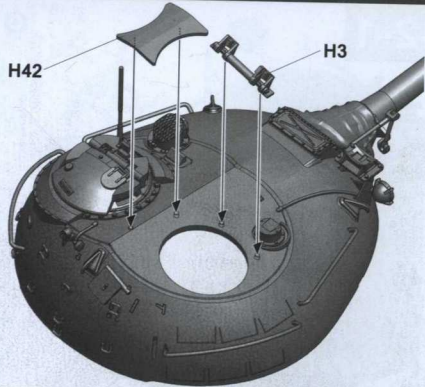
37-2



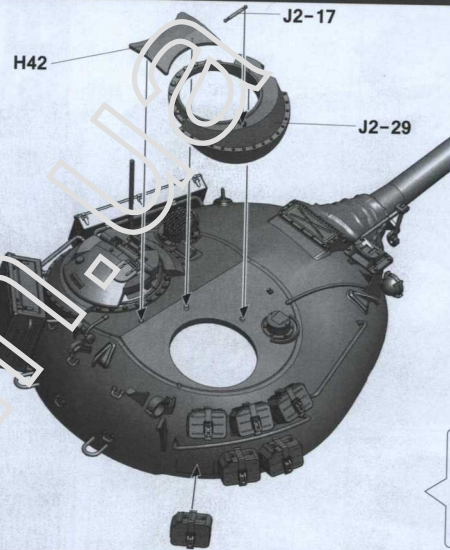
5

2

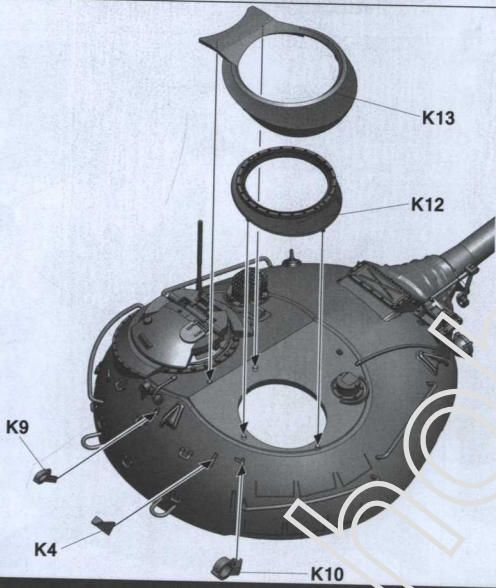
38-1



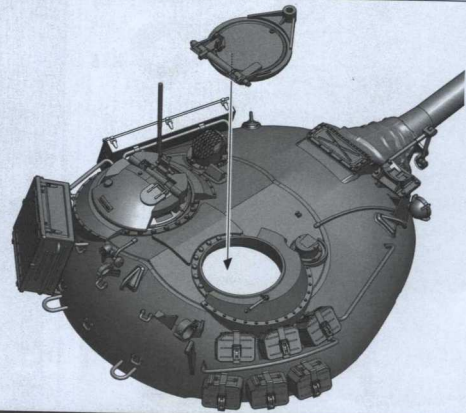
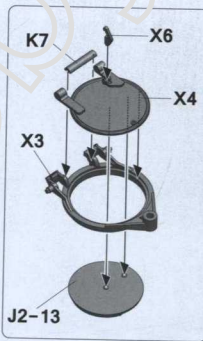
38-2



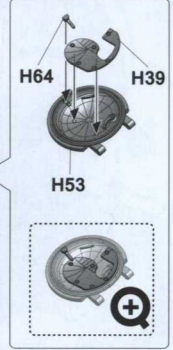
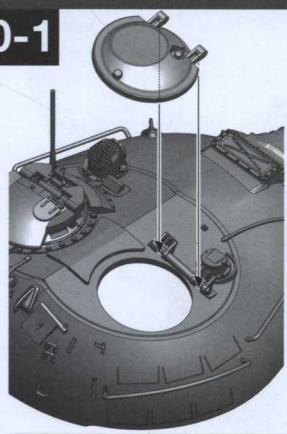
5



39-2

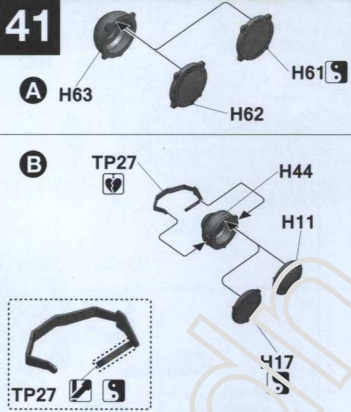


40-1

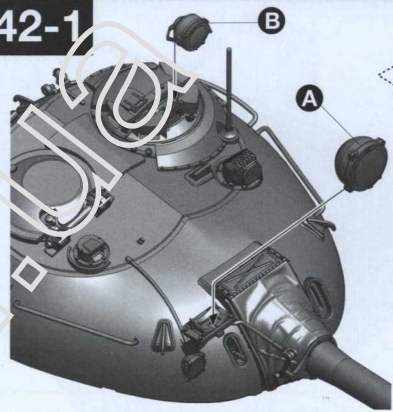


S

41

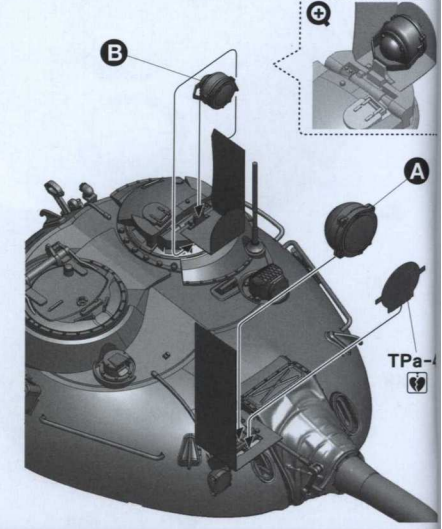
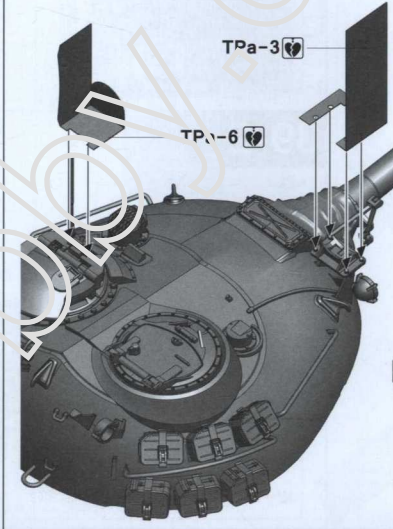
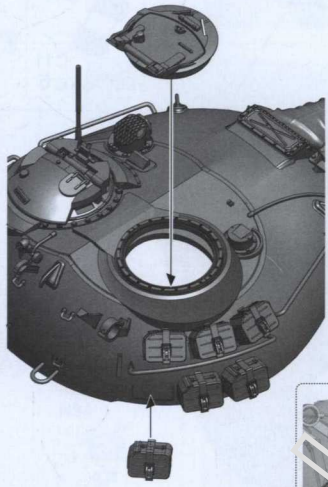


42-1

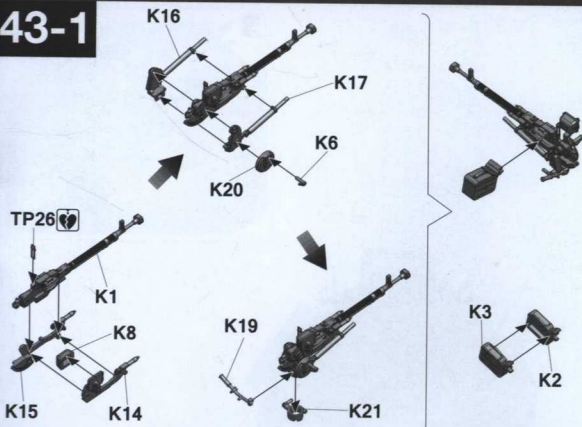


S

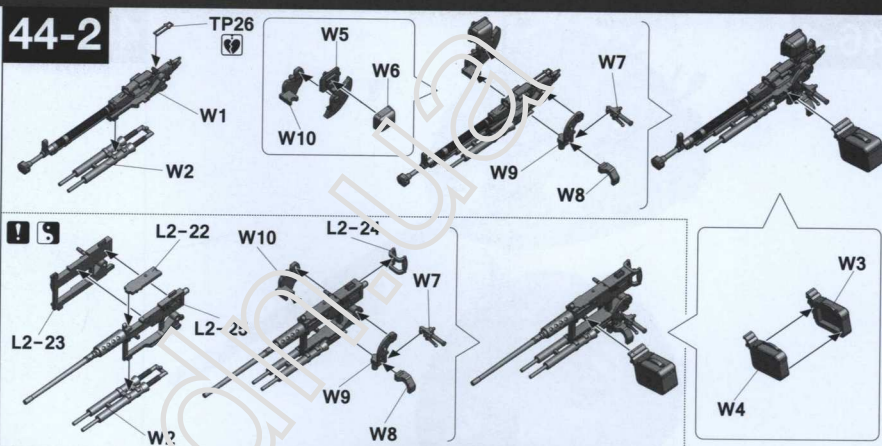
2



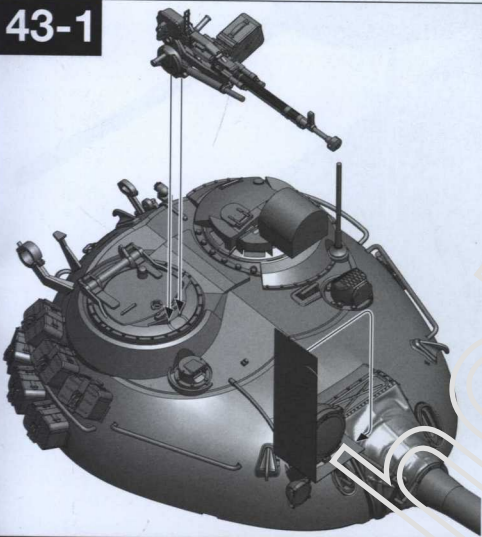
43-1



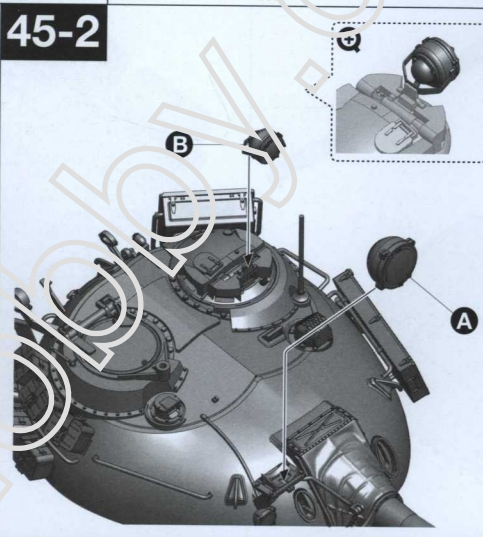
44-2



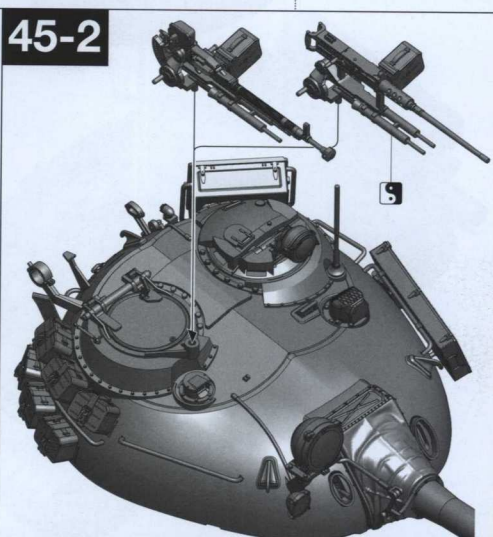
43-1



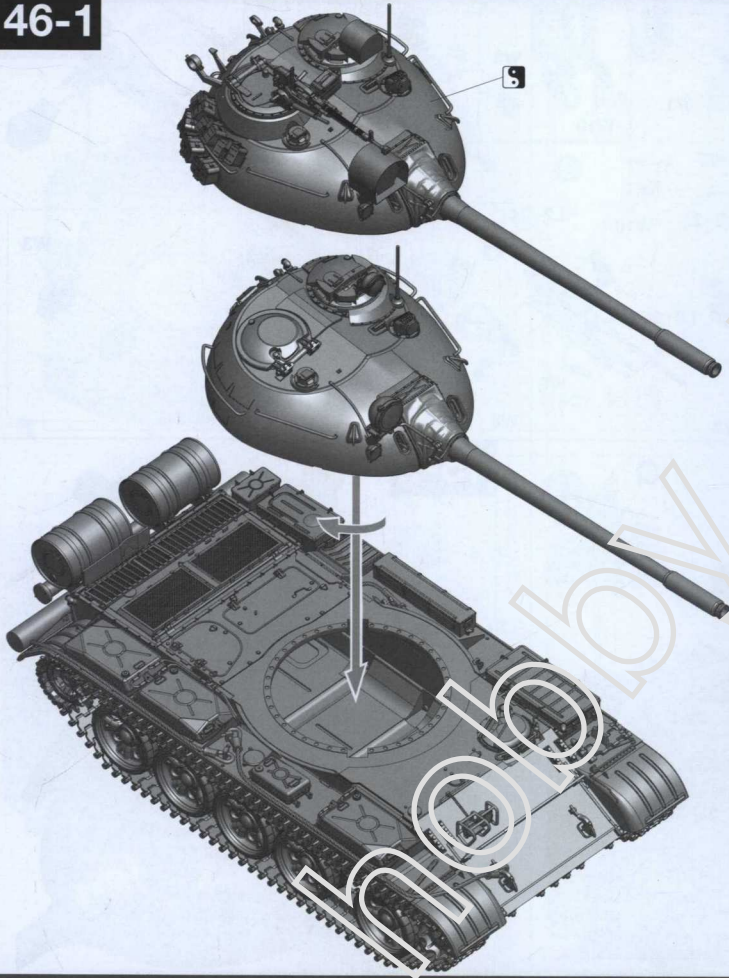
45-2



45-2



2 46-1



46-2

