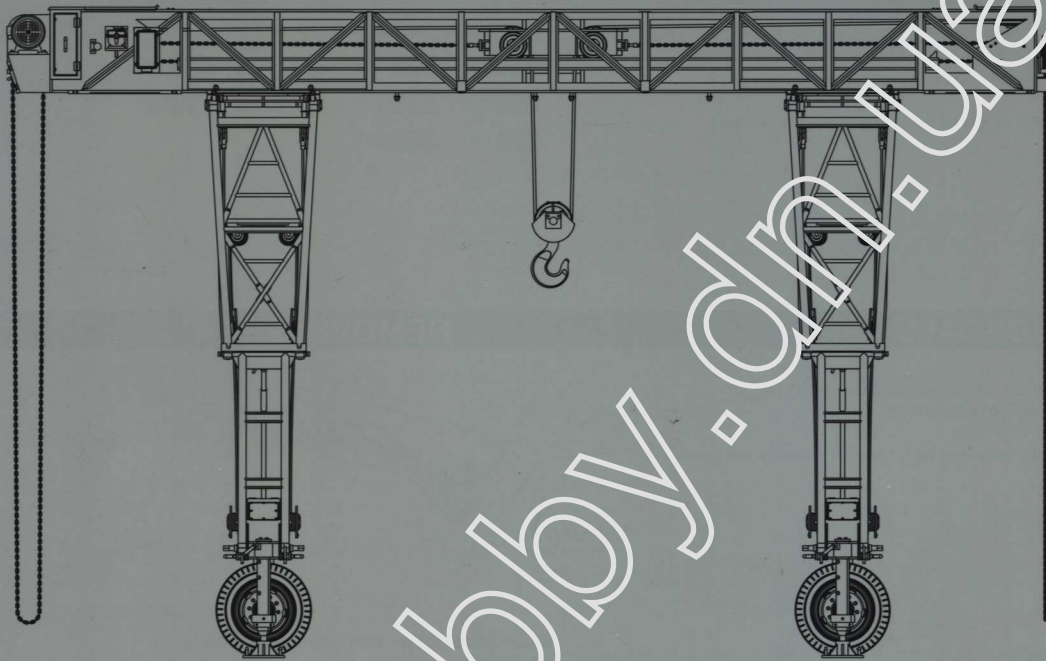


FRIES KRAN 16t STRABOKRAN

1943/44 Production



At the outset of WWII, German armored units were equipped with mostly light armoured tanks, accompanied by repair echelons consisting of gantry cranes with lifting capacities of up to 6 tons. However, after facing heavier Soviet tanks on the eastern front, the Wehrmacht began suffering heavy losses and soon realized the need for more heavily armored tanks to fight on the rapidly evolving battlefield. This led to the development of the heavy tanks such as the Tigers & Panthers, weighing as much as 30 tons. The existing gantry cranes in field maintenance units were too weak to service the new heavy tanks, so the Germans turned to the mobile gantry cranes manufactured by J.S Fries Frankfurt am Main which were developed in the 1930's for lifting heavy loads in ports & railroad facilities.

The Strabokran (Strassen bock kran, or road gantry crane) consisted of a horizontal gantry supported by a pair of collapsible support towers. The gantry housed a winch on a rail-mounted trolley. A motor was mounted at one end for power steering, and a hand-powered chain wheel was mounted at the opposite end for driving the horizontal movement of the trolley. Each of the twin support towers consisted of four hinged steel sections which were erected by cables via a hand-cranked winch mounted in the base of each tower, and then locked together. Strabokrans with 15t, 16t and 20t lifting capacities were developed in different years, and were towed by Sd.Kfz 8 and Sd.Kfz. 9 halftracks. Approximately 100 Strabokrans were built, some of which were license-built at the company Stratenwerth in Duisburg until the war's end, and were supplied to units equipped with Tiger's & Panthers, as well as V2 units.

03.02.2109

READ BEFORE ASSEMBLY

CAUTION

- Read carefully and fully understand the instructions before commencing assembly. A supervising adult should also read the instructions if a child assembles the model.
- When assembling this kit, tools including knives used. Extra care should be taken to avoid personal injury.
- Keep out of reach of small children. Children must not be allowed to suck any part, or pull vinyl bag over their heads.



Optional



Do Not Cement



Drill

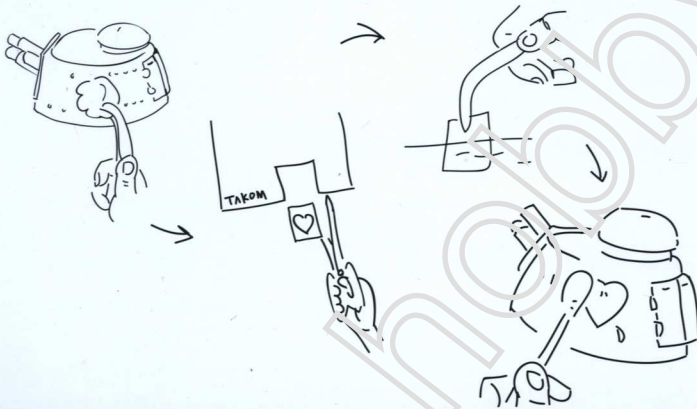
PAINTS REQUIRED

Color info and profiles by Mig Jimenez

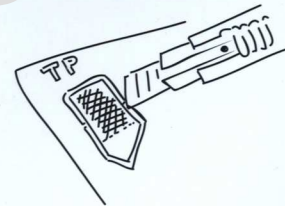
A.MIG 033	Rubber & Tires	A.MIG 050	Matt White	A.MIG 052	Polished Metal	A.MIG 195	Silver
A.MIG 010	Dunkelblau Mid war	A.MIG 053	Olivgrun Opt.2	A.MIG 011	Dunkelgelb Aus '44 DGI	A.MIG 001	Olivgrun Opt.1
A.MIG 015	Schokobraun	A.MIG 014	White Crisp				

APPLYING DECALS

1. Clean the model surface with a wet cloth.
2. Cut out each decal design from sheet, and dip it in tepid water for 15-20 sec.
3. Hold the backing sheet edge and slide decal onto the model.
4. Move decal into position by wetting decal with finger.
5. Press decal gently down with a soft cloth until excess water and air bubbles are gone.



REMOVING PE



Be careful not to hurt when removing PE parts.

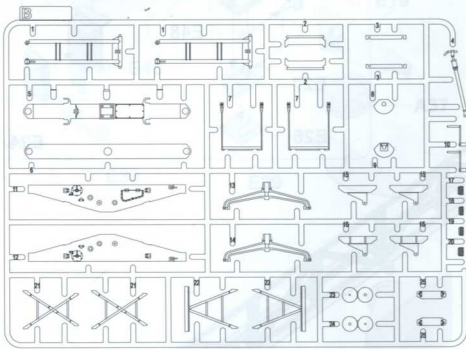


Secure using instant glue (not included).

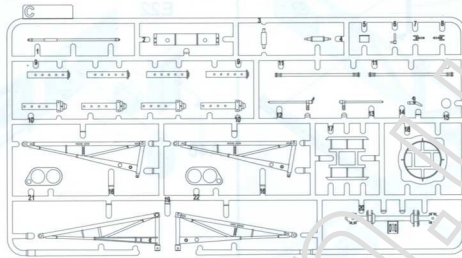


Finish using file.

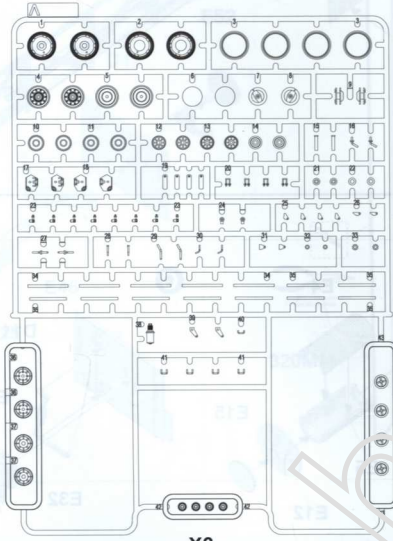
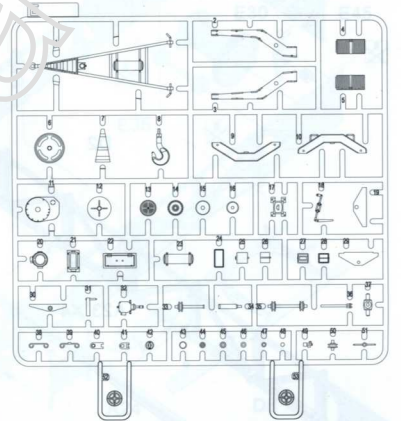
PARTS



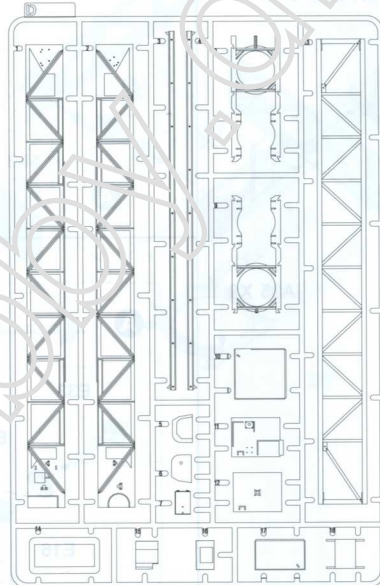
X2



X2



X2



X8

Chain



Nylon Rope 2



Nylon Rope 1

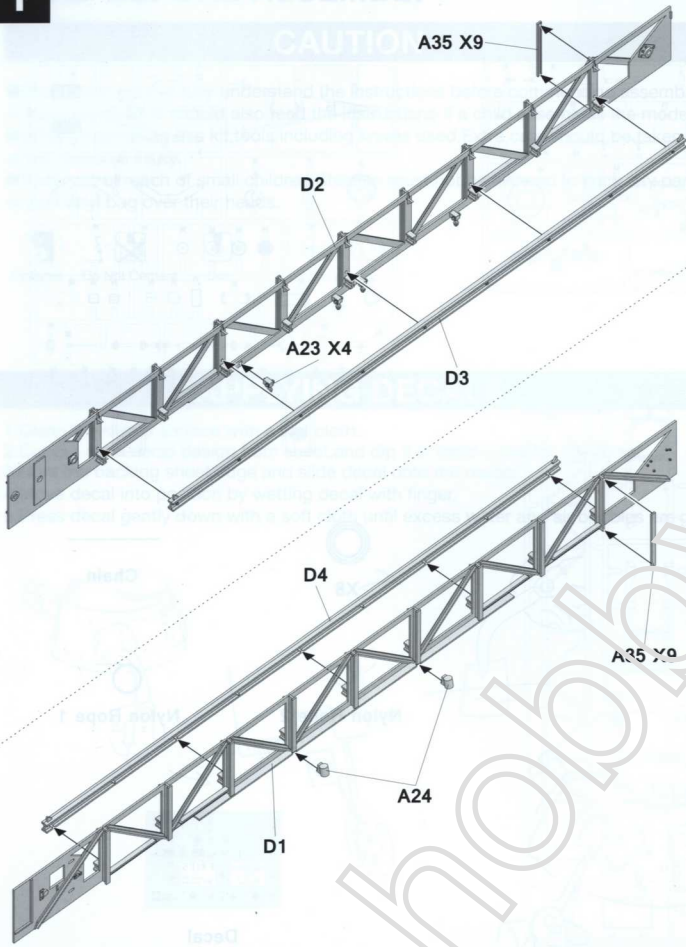


Decal

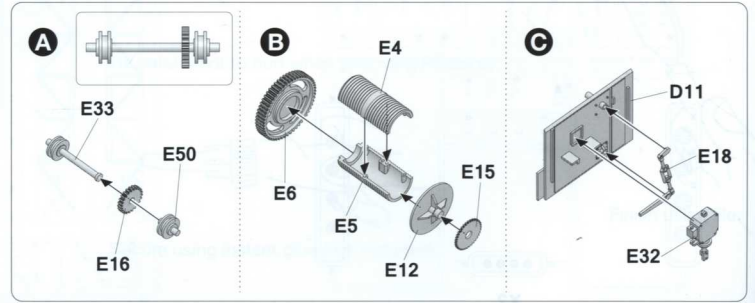
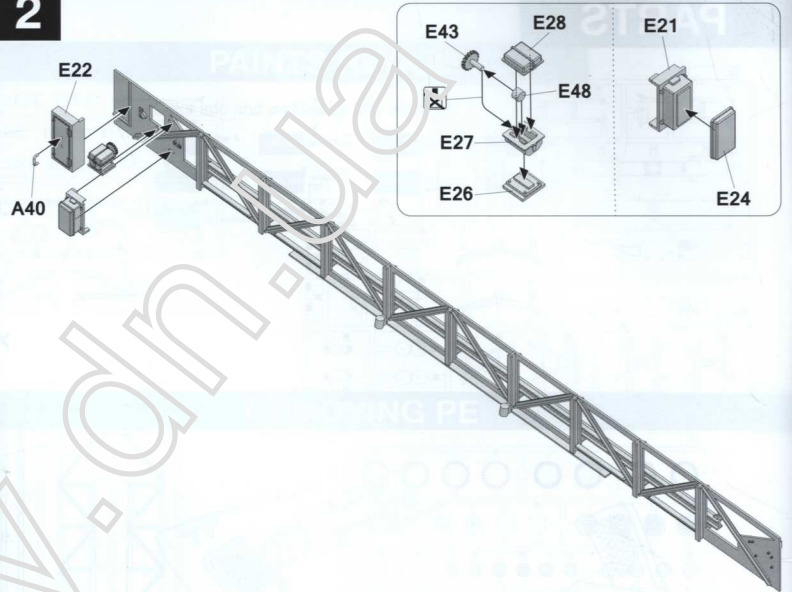
1

READ BEFORE ASSEMBLY

CAUTION

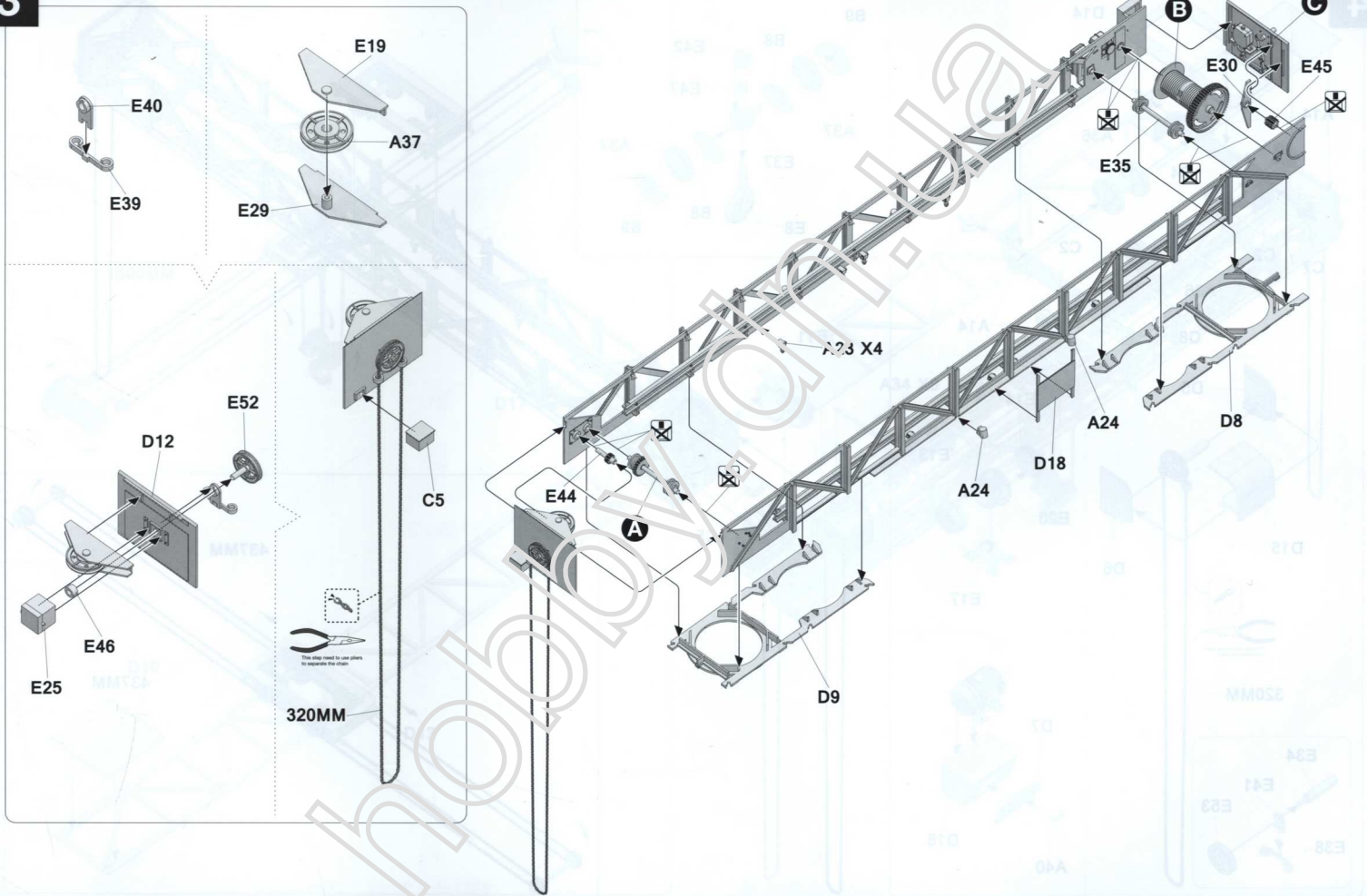


2

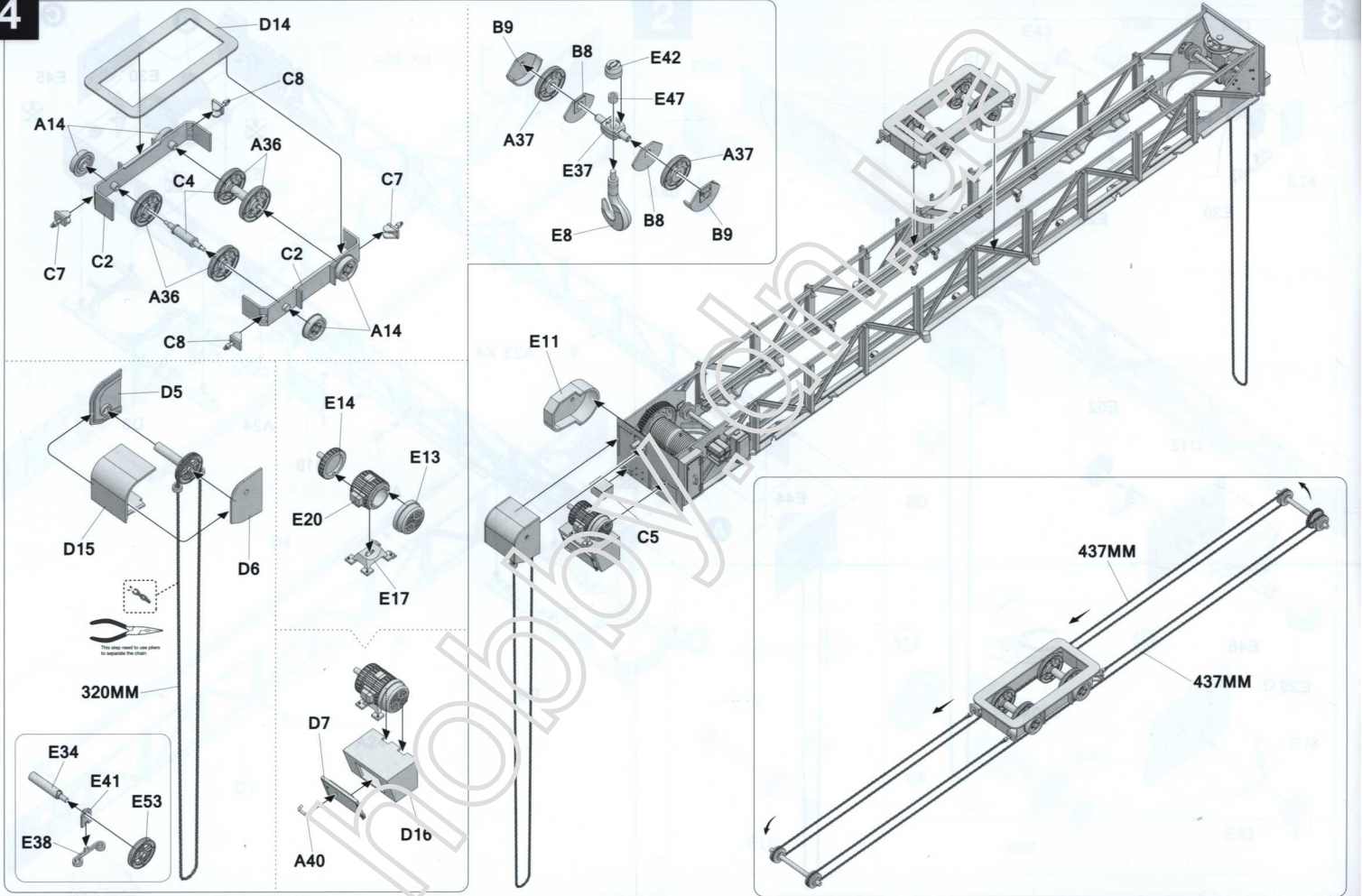


3

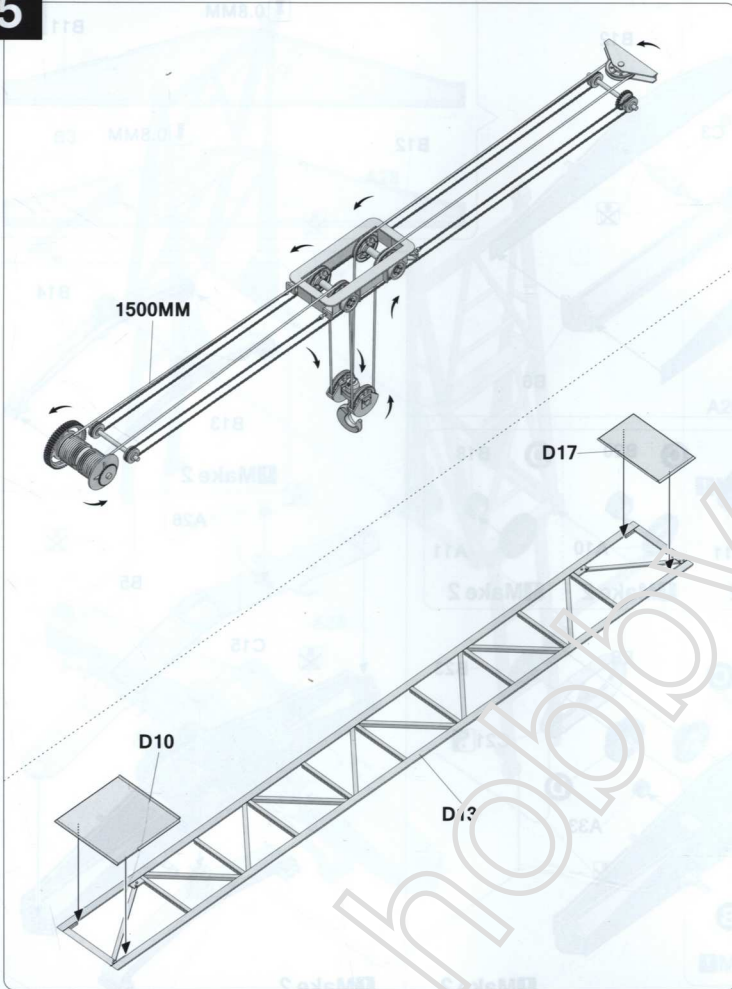
3



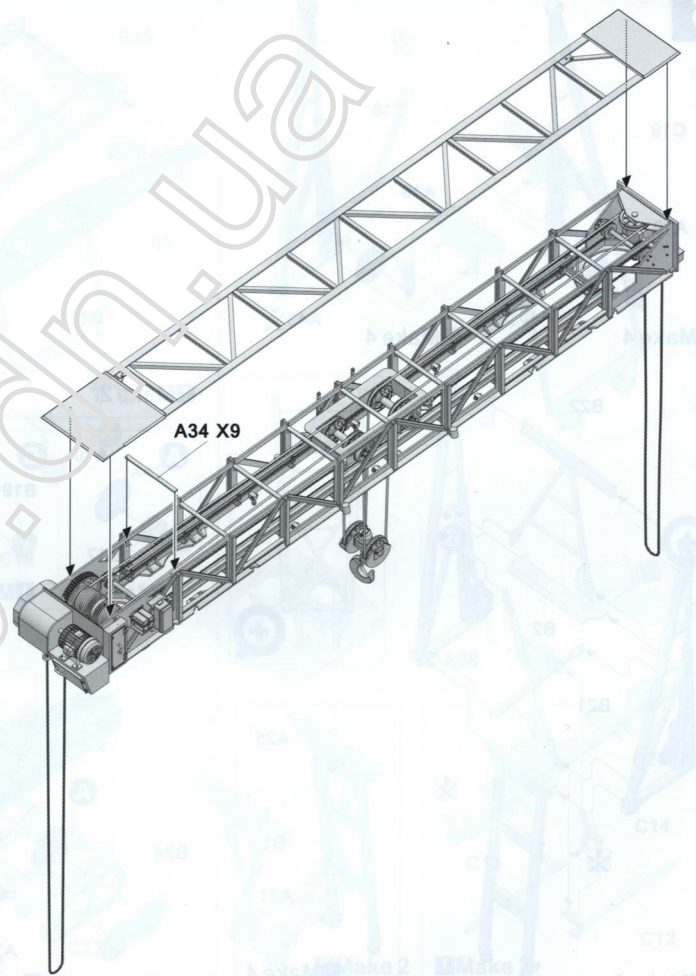
4



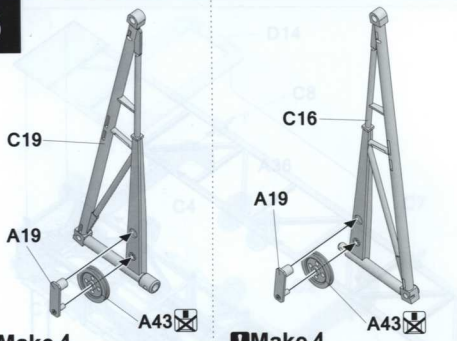
5



6

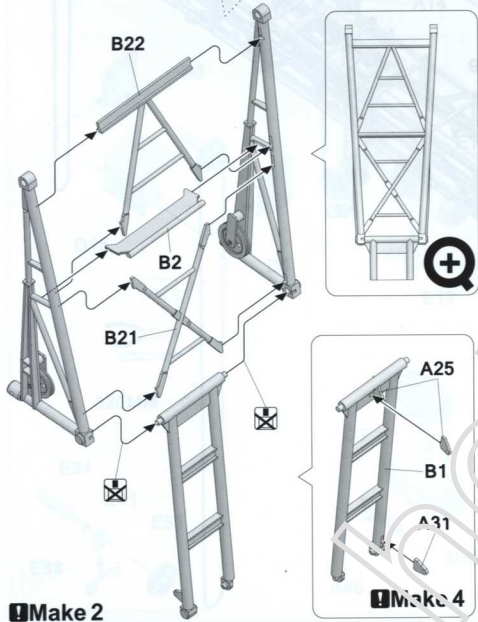


6



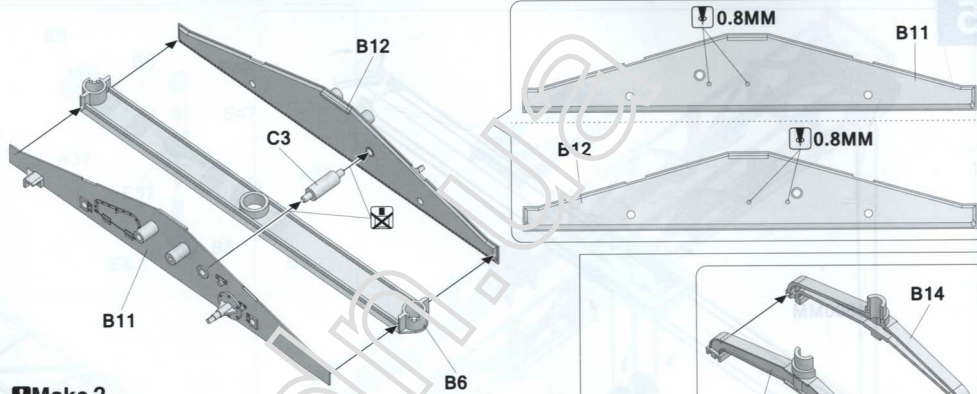
Make 4

Make 4

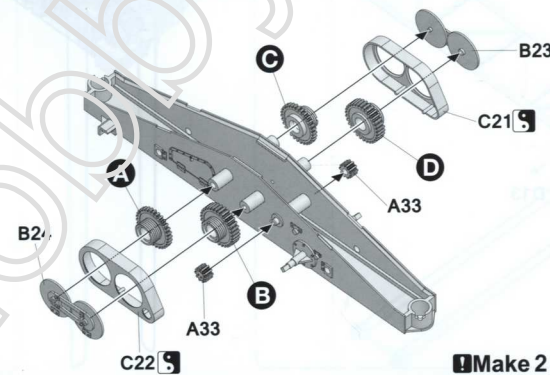
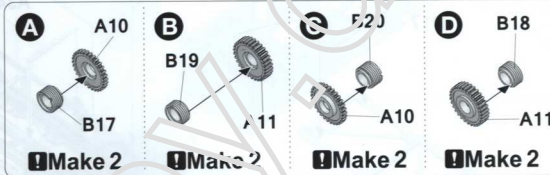
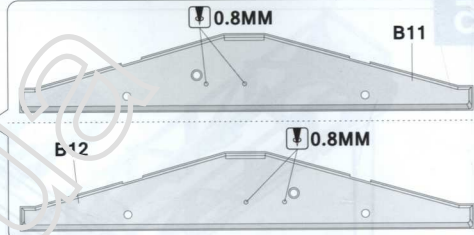


Make 2

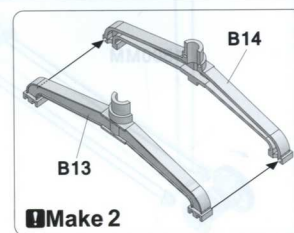
Make 4



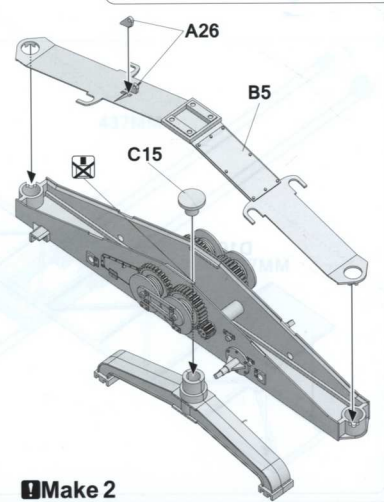
Make 2



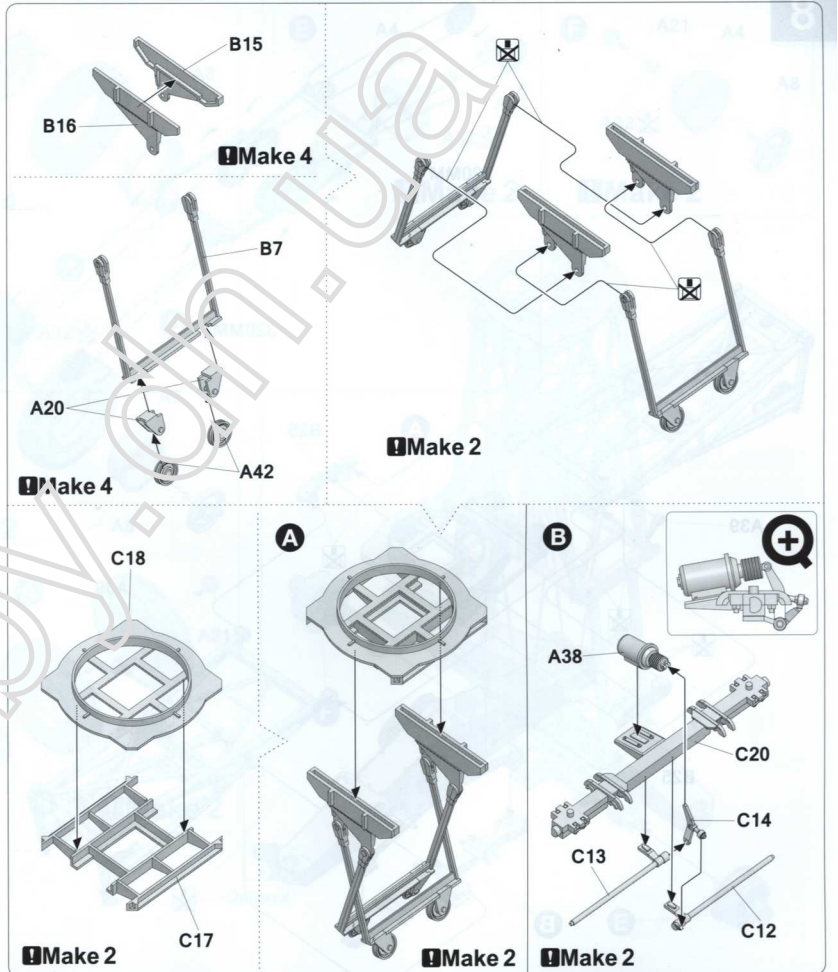
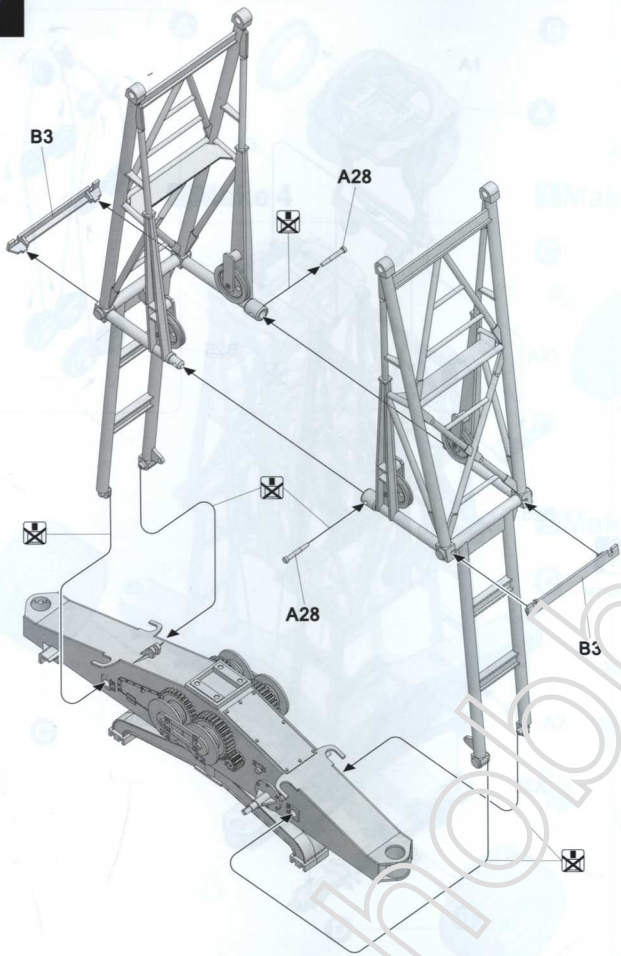
Make 2

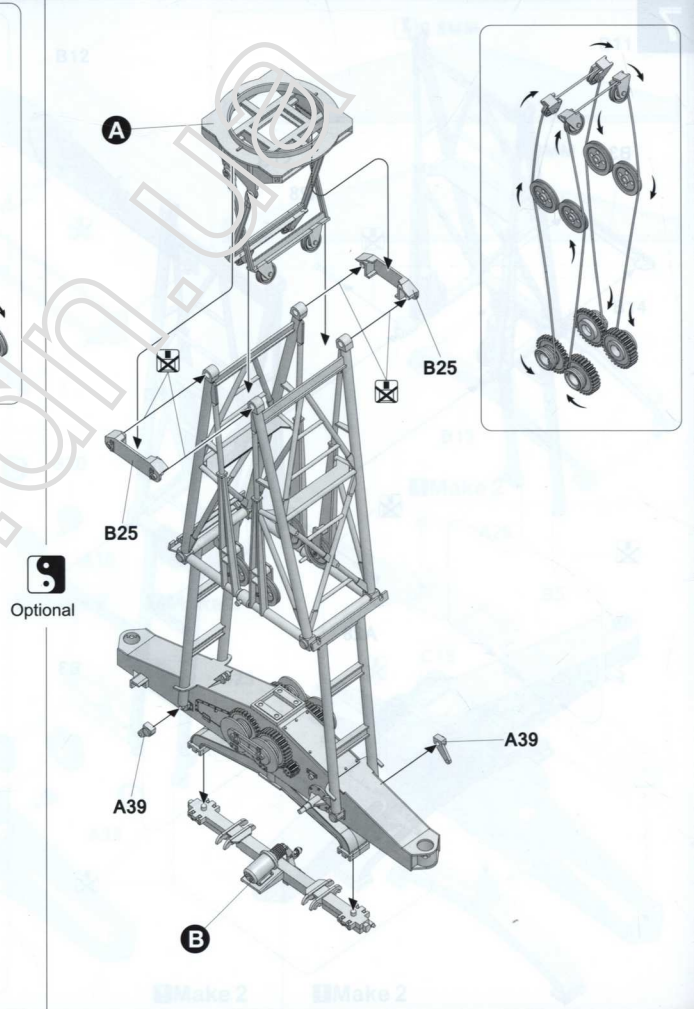
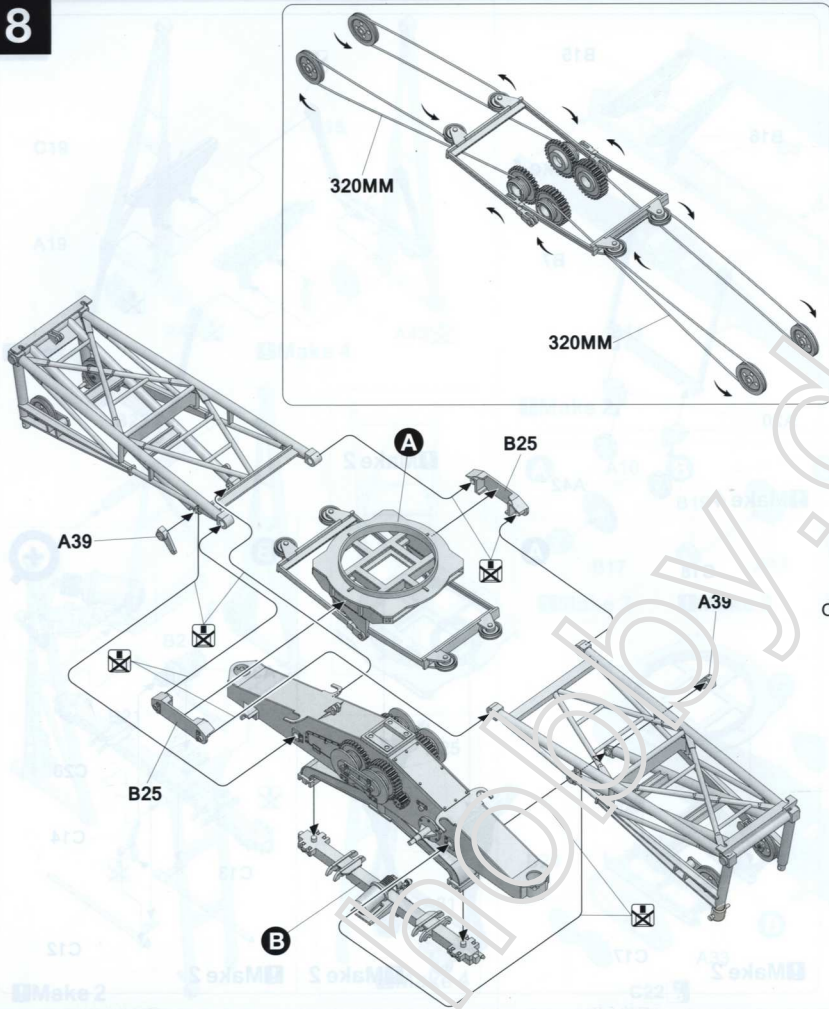


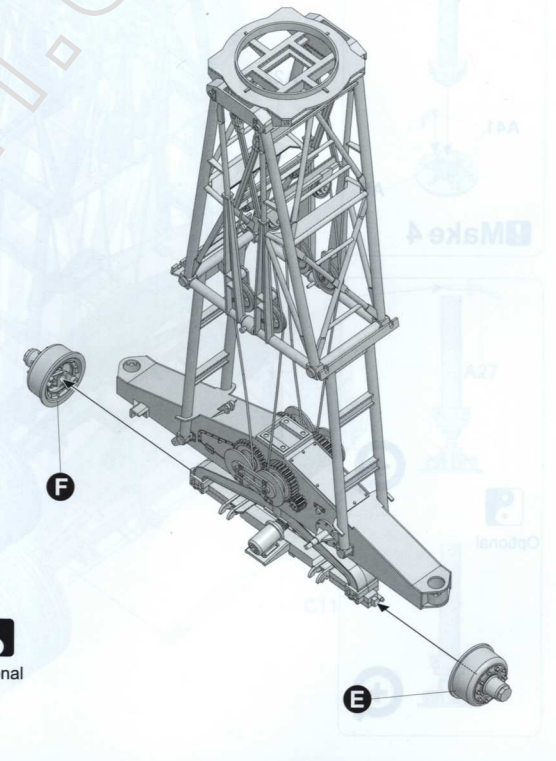
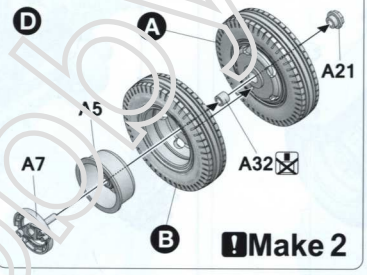
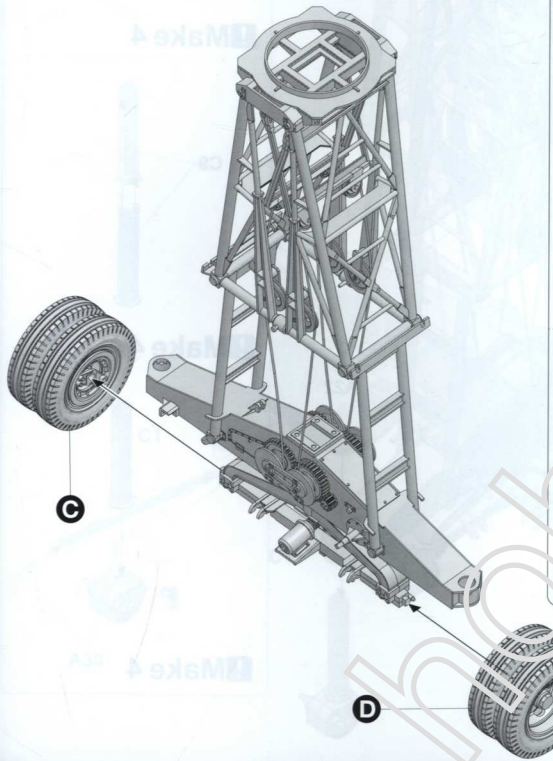
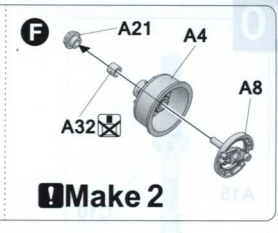
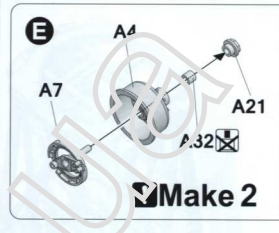
Make 2



Make 2

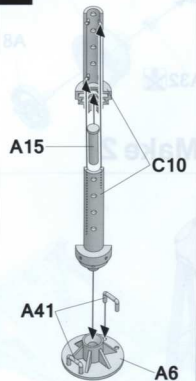




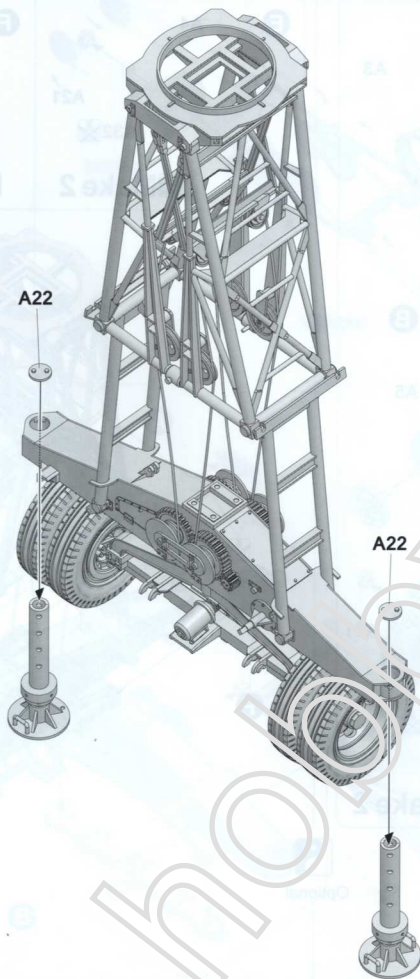
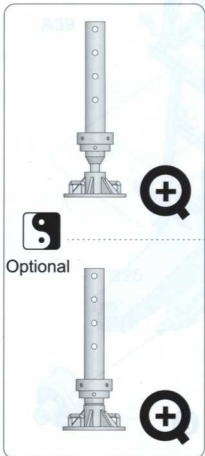


 Optional

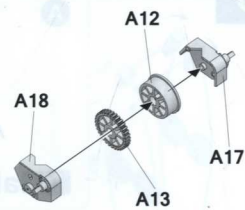
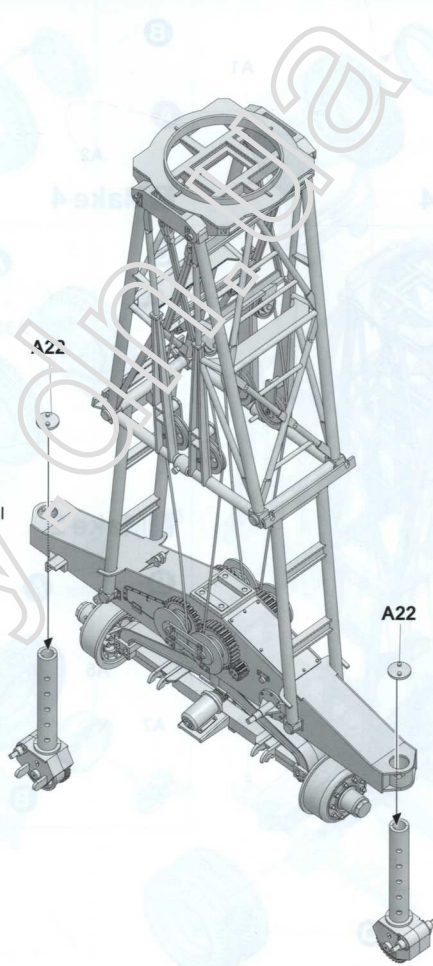
10



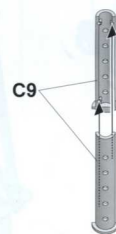
Make 4



Optional



Make 4

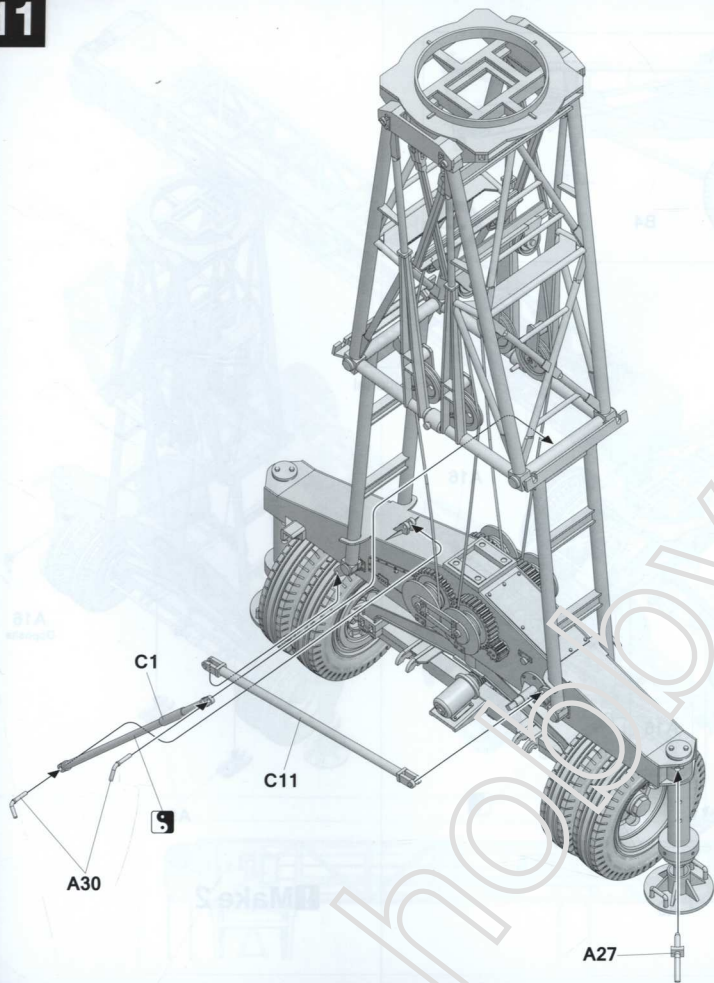


Make 4

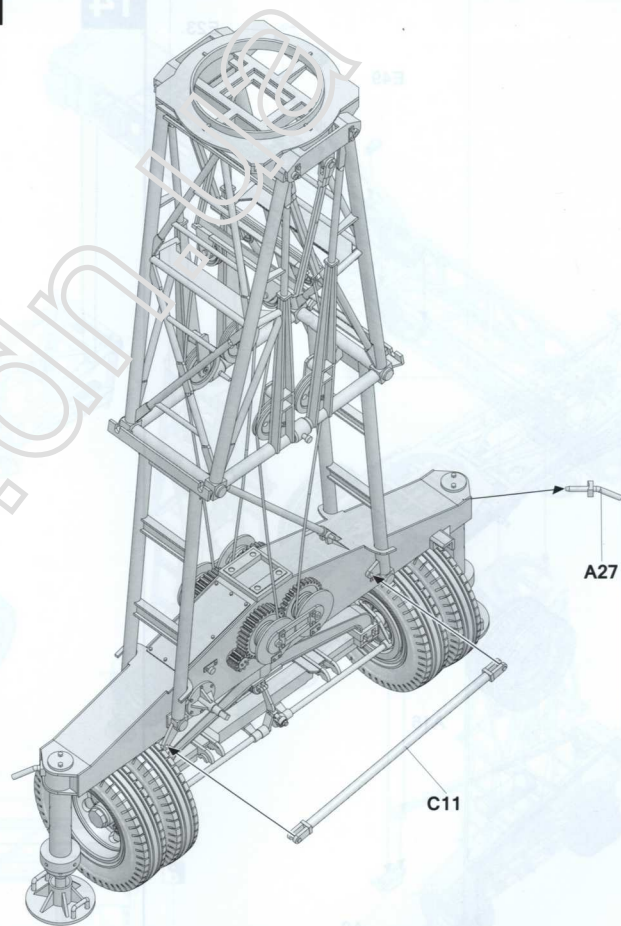


Make 4

11

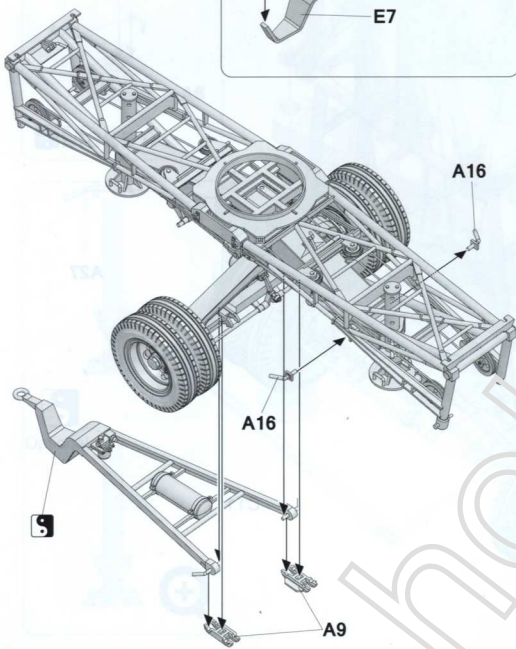
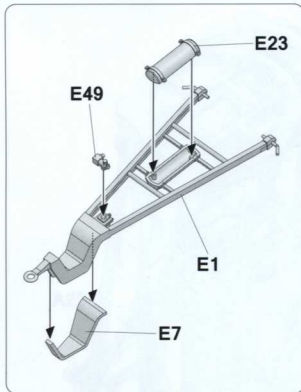


12

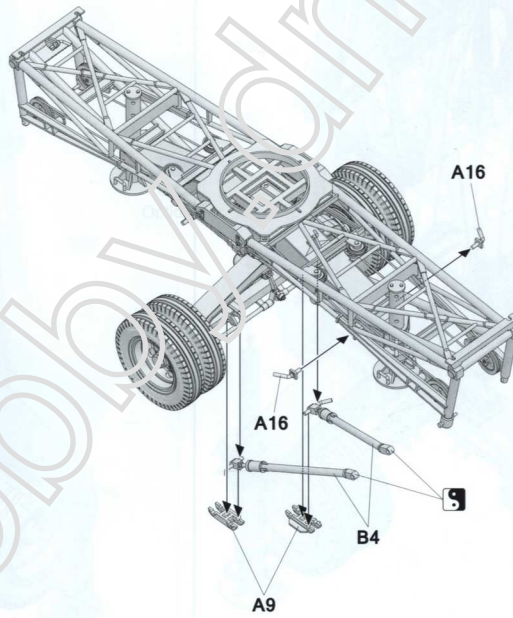
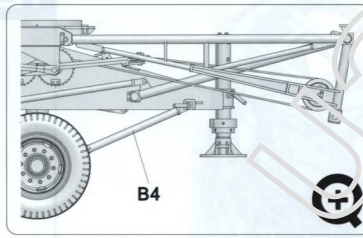


12

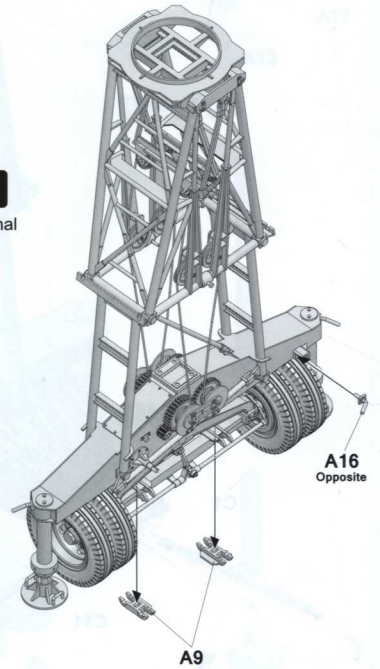
13



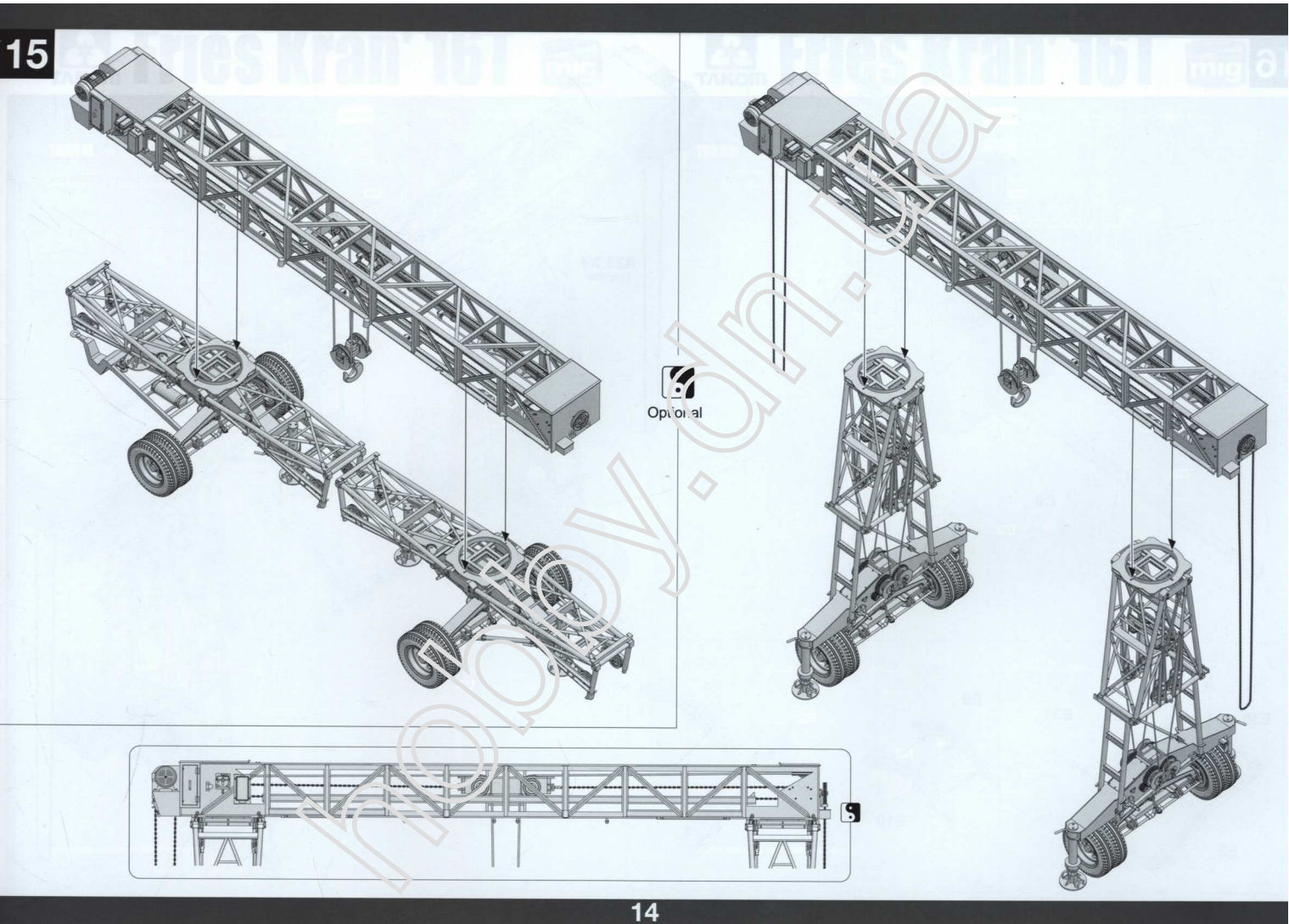
14

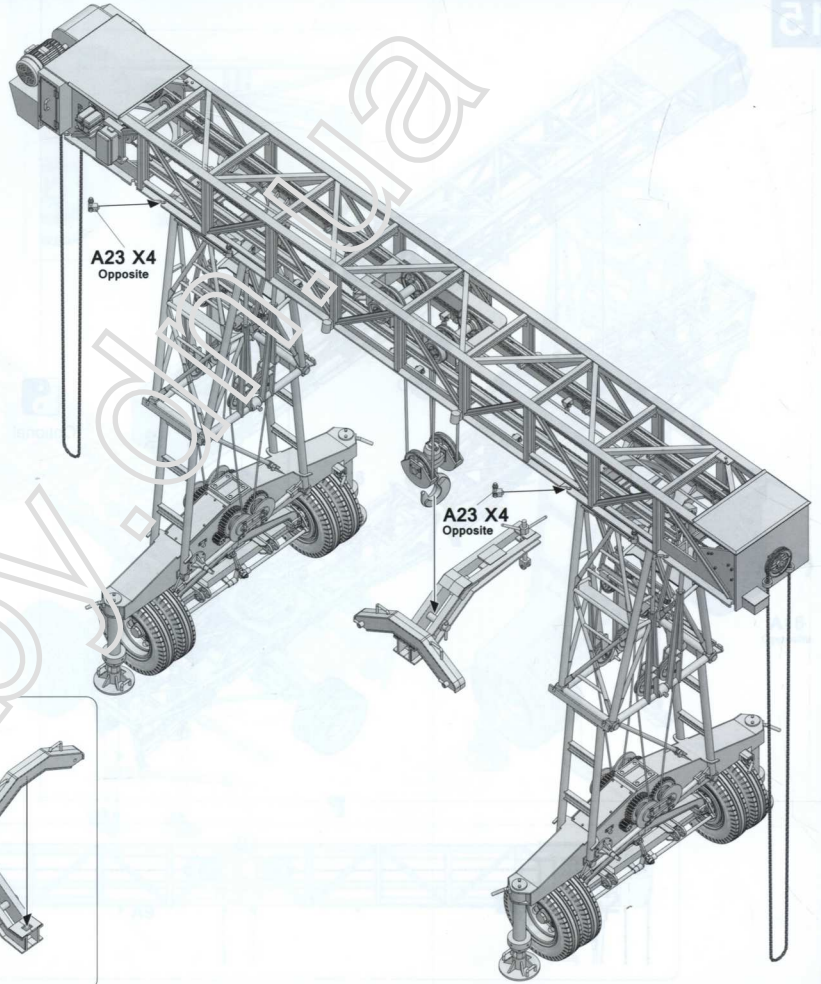
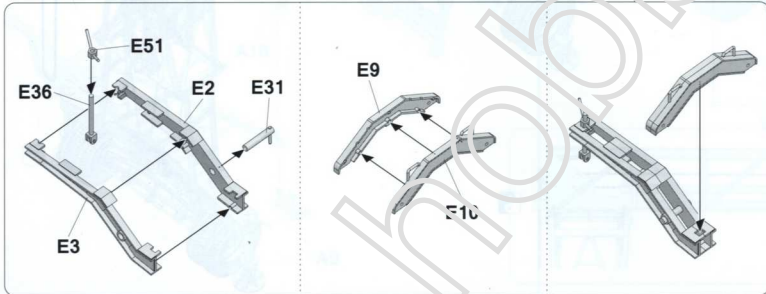
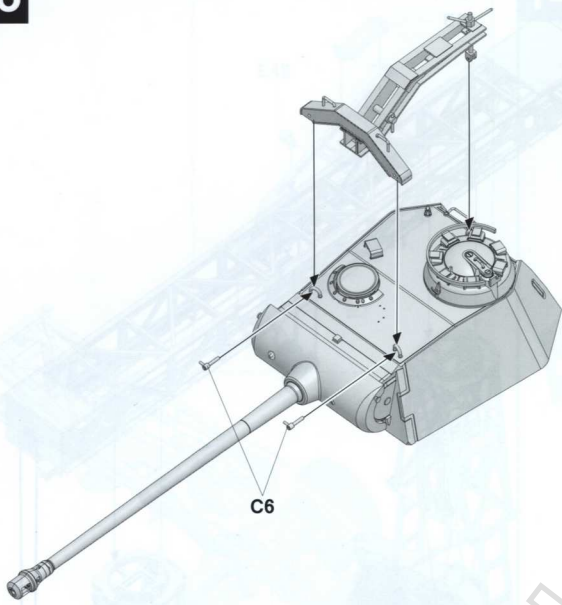


Optional



Make 2







Fries Kran' 16T

www.migimenez.com



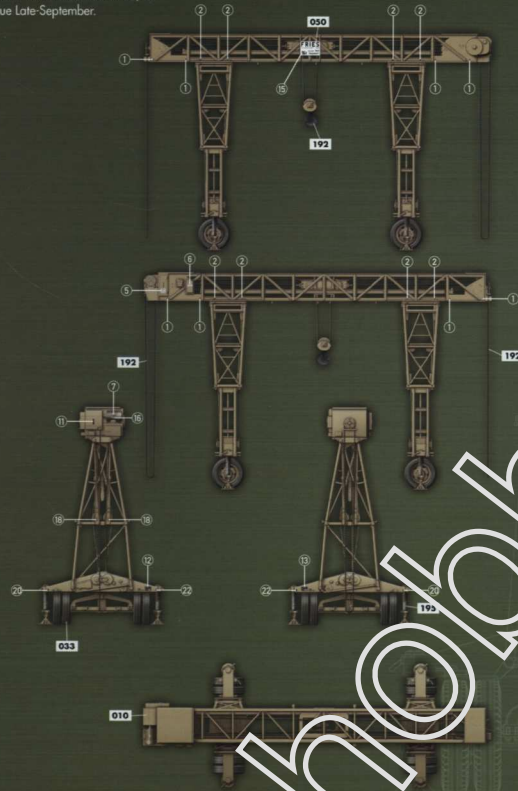
Painting and Marking Guide

A.MIG 033 Rubber & Tires A.MIG 050 Matt White A.MIG 192 Polished Metal A.MIG 195 Silver

A.MIG 010 Dunkelgelb
Mid war

TAKOM Ref: 2109

1/35 'Fries Kran' 16T Strabokran 1943/44
production, due Late-September.



WEATHERING STEPS WITH AMMO PRODUCTS

- | | | | |
|--|--|--|--|
| 1 GENERAL WASH
A.MIG-1001 Brown Wash for German Yellow | 3 STRAIGHTEN
A.MIG-1203 Straking Gelms | 5 RUST
A.MIG-3510 Rust | 7 SPLASHER
A.MIG-1753 Turned Oil |
| 2 FILTER
A.MIG-1511 Brown for Dark Yellow | 4 RUST
A.MIG-3510 Rust | 6 RUST
A.MIG-3015 Black Dust | 8 GREASE & OIL
A.MIG-1408 Fresh Engine Oil |



Fries Kran' 16T

www.migimenez.com



Painting and Marking Guide

A.MIG 033 Rubber & Tires A.MIG 050 Matt White A.MIG 192 Polished Metal A.MIG 195 Silver

A.MIG 004 Cleargreen A.MIG 011 Dunkelgelb
AUS 44 DG 1

TAKOM Ref: 2109

1/35 'Fries Kran' 16T Strabokran 1943/44
production, due Late-September.



WEATHERING STEPS WITH AMMO PRODUCTS

- | | | | |
|--|--|--|--|
| 1 GENERAL WASH
A.MIG-1001 White Korps Wash | 3 STRAIGHTEN
A.MIG-1201 Straking Gelms For DAK | 5 RUST
A.MIG-1408 Kurst Gelb | 7 SPLASHER
A.MIG-1753 Turned Oil |
| 2 FILTER
A.MIG-1511 Brown for Dark Yellow | 4 RUST
A.MIG-1204 Straking Rust Effects | 6 RUST
A.MIG-3013 Puddle | 8 GREASE & OIL
A.MIG-1408 Fresh Engine Oil |

03.03.2109



Fries Kran' 16T

www.migjimez.com



Painting and Marking Guide

AMMO 033 Rubber & Tires
AMMO 050 Matt White
AMMO 192 Polished Metal
AMMO 195 Silver

TAKOM Ref: 2109

1/35 'Fries Kran' 16T Strabokran 1943/44 production, due Late-September.

AMMO 001 Olingrün Opt.1
AMMO 010 Dunkelgelb Mid war
AMMO 015 Schokobraun



WEATHERING STEPS WITH AMMO PRODUCTS

- | | | | |
|---|--|--|--|
| 1 GENERAL WASH
A.MIG-1008 Dark Wash | 3 STREAMING
A.MIG-1206 Dark Streaming Gels | 5 TIRE BRUSH
A.MIG-1400 K100 | 7 SPLASHES
A.MIG-1754 Damp Earth |
| 2 FILTER
A.MIG-1510 Tan for These Tone Camo | 4 RUST
A.MIG-3510 Rust | 6 DIRT
A.MIG-3004 Europe Earth | 8 GREASE & OIL
A.MIG-1408 Fresh Engine Oil |

03.03.2109



Fries Kran' 16T

www.migjimez.com



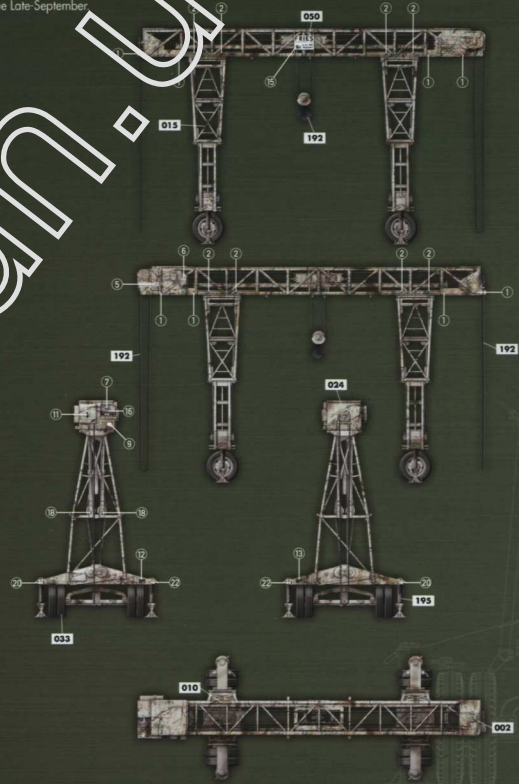
Painting and Marking Guide

AMMO 033 Rubber & Tires
AMMO 050 Matt White
AMMO 192 Polished Metal
AMMO 195 Silver

TAKOM Ref: 2109

1/35 'Fries Kran' 16T Strabokran 1943/44 production, due Late-September.

AMMO 001 Olingrün Opt.1
AMMO 010 Dunkelgelb Mid war
AMMO 015 Schokobraun
AMMO 024 Washable White Camo



WEATHERING STEPS WITH AMMO PRODUCTS

- | | | | |
|---|--|--|--|
| 1 GENERAL WASH
A.MIG-1019 Neutral Wash | 3 STREAMING
A.MIG-1205 Streaming Gels for White Vehicles | 5 TIRE BRUSH
A.MIG-1406 Damp Earth | 7 SPLASHES
A.MIG-1755 Wet Ground |
| 2 FILTER
A.MIG-1502 Dark Gray For White | 4 RUST
A.MIG-1204 Streaming Rust Effects | 6 DIRT
A.MIG-3004 Europe Earth | 8 GREASE & OIL
A.MIG-1408 Fresh Engine Oil |