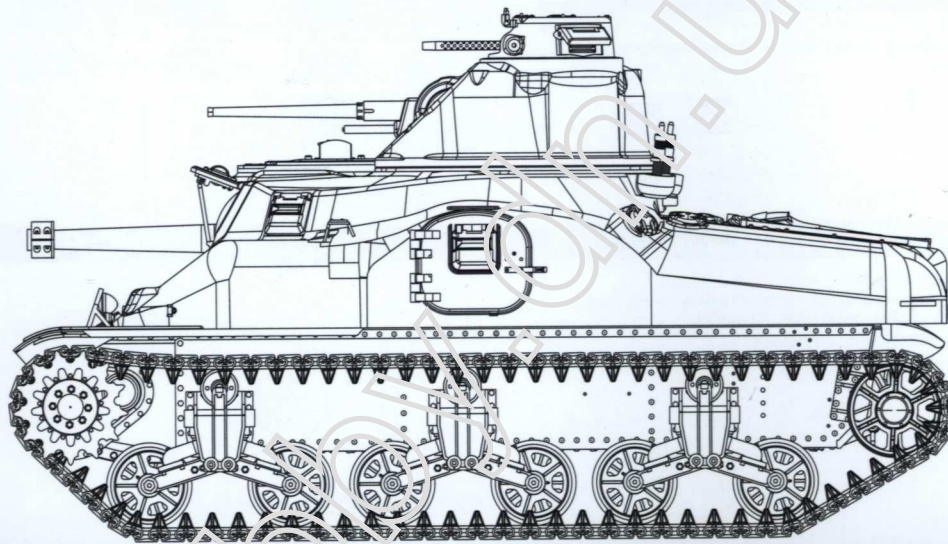


M3A1 LEE US MEDIUM TANK



The outbreak of WWII in Europe caused the U.S. Army to recognize the need for an effective tank force. Design of the Medium tank M3 commenced in July 1940, with production beginning in December, and the first units becoming operational in late 1941. The U.S. Army required a tank armed with a 75mm main gun and the United Kingdom had made an immediate demand for more medium tanks. The main design architect mounted the 75mm main gun in the right sponson, with another 37mm gun mounted in a small turret on top, which was a compromise meant to produce a tank as soon as possible until the M4 became available. In Great Britain the tank was called by two names based on the turret configuration and crew size. Tanks fitted with the U.S. style turret were called the "Lee", named after Confederate General Robert E. Lee. Variants using British style turrets were known as the "Grant", named after Union General Ulysses S. Grant. The M3 offered potent firepower and sturdy armor, but had serious shortcomings in its design and shape, including a high silhouette, and the sponson mounting the 75mm main gun, which limited the traverse and prevented the tank from taking a hull-down position. 300 tanks were produced with a large cast hull, and many used in the U.S.A. for training purposes. Multiple variants and derivatives were spawned from M3 production, including the M31 armored recovery vehicle, the M7 Priest self-propelled gun, the CDL (Canal Defense Light), and the Canadian RAM cruiser tank.

03.02.2114

READ BEFORE ASSEMBLY

CAUTION

- Read carefully and fully understand the instructions before commencing assembly. A supervising adult should also read the instructions if a child assembles the model.
- When assembling this kit, tools including knives used. Extra care should be taken to avoid personal injury.
- Keep out of reach of small children. Children must not be allowed to suck any part, or pull vinyl bag over their heads.



Remove



Drill



Be Careful



Do Not Cement



Optional



Heating



Instant Glue
for Metal

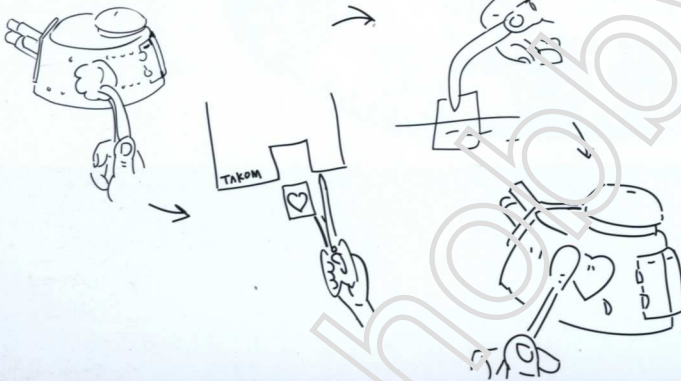
PAINTS REQUIRED

Color info and profiles by Mig Jimenez

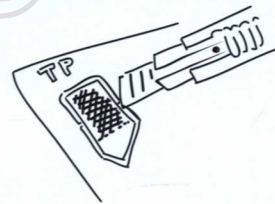
A.MIG 033	Rubber & Tires	A.MIG 035	Dark Tracks	A.MIG 036	Old Wood	A.MIG 045	Gun Metal
A.MIG 093	Crystal Red	A.MIG 094	Crystal Glass	A.MIG 195	Silver	A.MIG 096	Crystal Periscope Green
A.MIG 926	Olive Lamb Base						

APPLYING DECALS

1. Clean the model surface with a wet cloth.
2. Cut out each decal design from sheet, and dip it in tepid water for 15~20 sec.
3. Hold the backing sheet edge and slide decal onto the model.
4. Move decal into position by wetting decal with finger.
5. Press decal gently down with a soft cloth until excess water and air bubbles are gone.



REMOVING PE



Be careful not to hurt when removing PE parts.

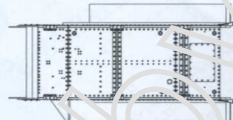
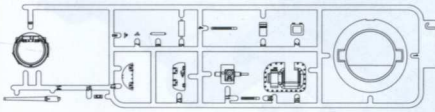
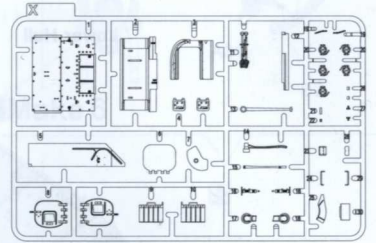
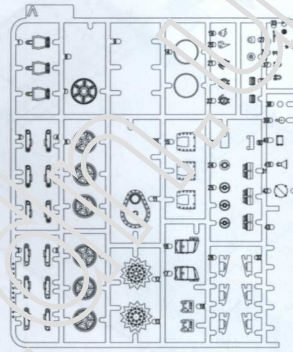
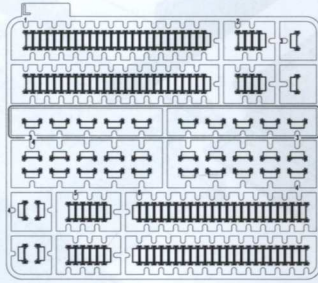
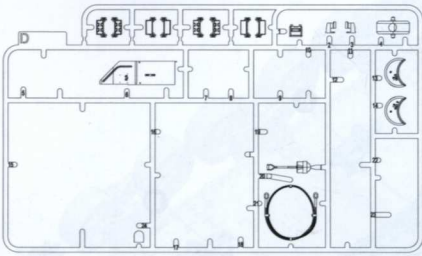


Secure using instant glue (not included).



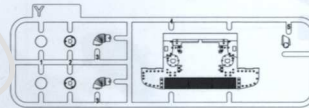
Finish using file.

PARTS

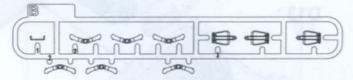


Lower Hull

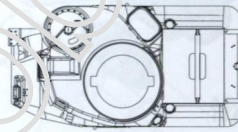
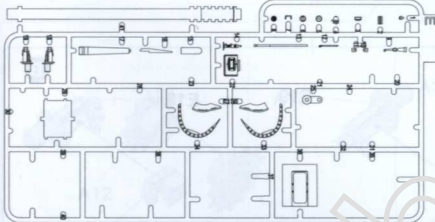
X2



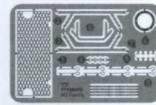
X2



Turret



Upper Hull



TP



Decal

1

BEFORE ASSEMBLY

CAUTION

PAINTS USED

PARTS

Read carefully and fully understand the instructions before commencing assembly. A supervising adult should also read the instructions if a child is assisting with the assembly of this model.

1. Click the front and rear hulls onto the base. The hulls will fit onto the raised edges of the base. The hulls will be held in place by the raised edges of the base.

2. Click the front and rear hulls onto the base. The hulls will fit onto the raised edges of the base. The hulls will be held in place by the raised edges of the base.

3. Move the front and rear hulls towards the center of the base. The hulls will be held in place by the raised edges of the base.

4. Press the front and rear hulls down onto the base. The hulls will be held in place by the raised edges of the base.

5. Press the front and rear hulls down onto the base. The hulls will be held in place by the raised edges of the base.

Lower Hull

D13

X2

D14

A11

A11

A

B

A

E19

D3

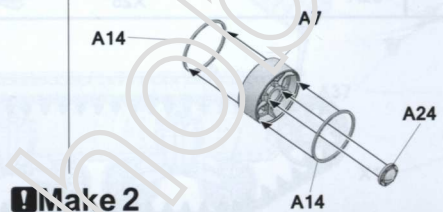
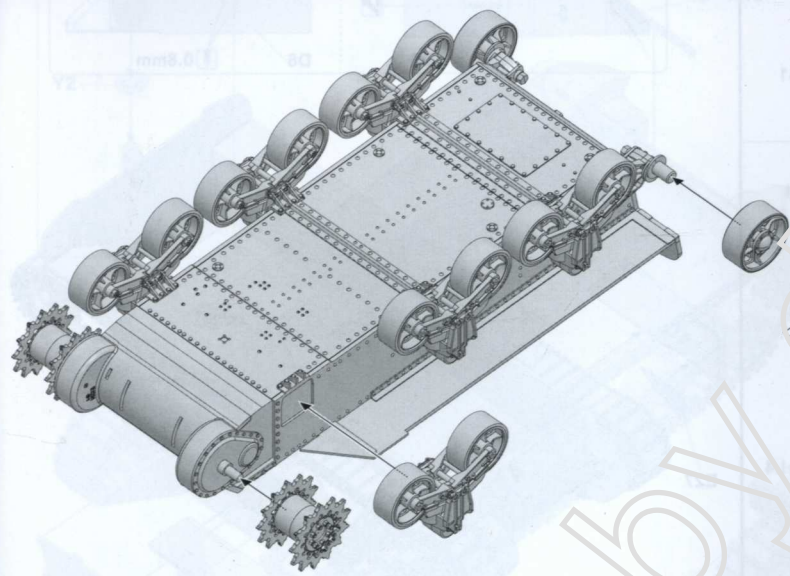
B

E18

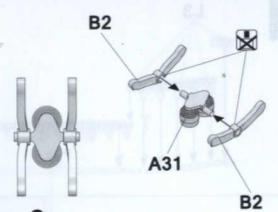
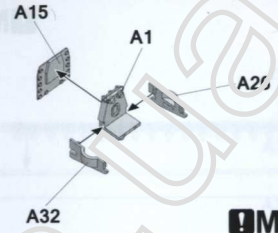
D2

3

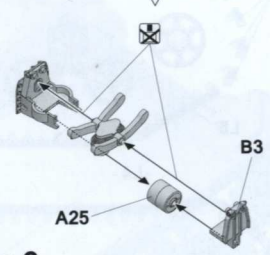
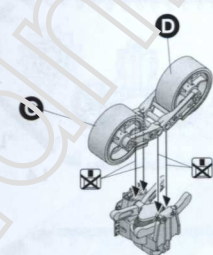
2



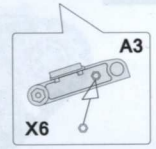
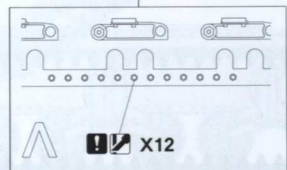
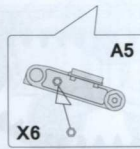
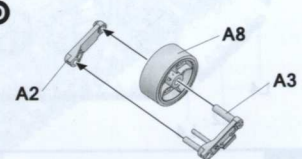
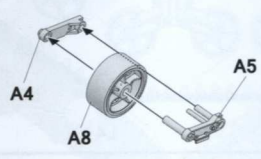
Make 2



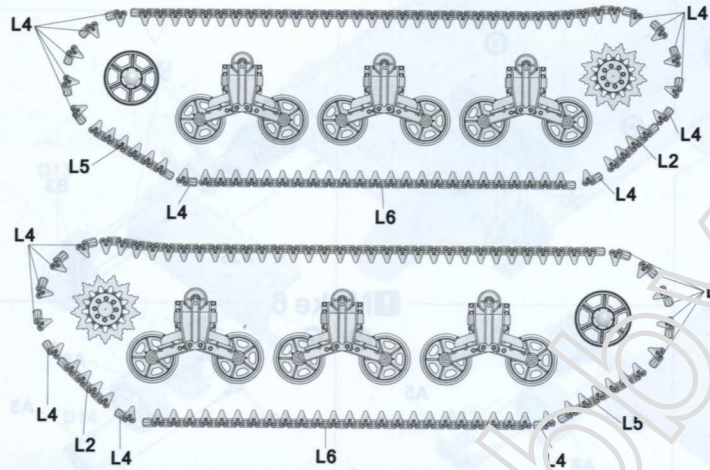
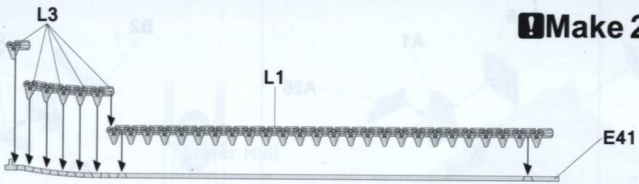
Make 6



Make 6



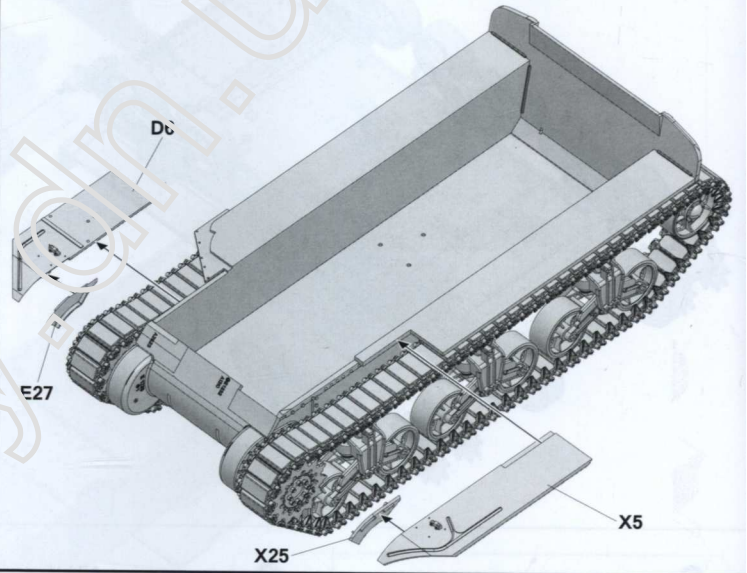
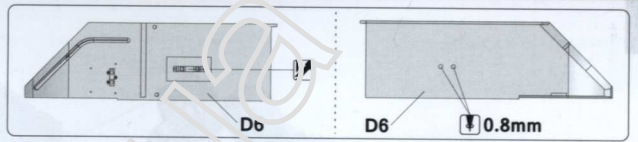
3



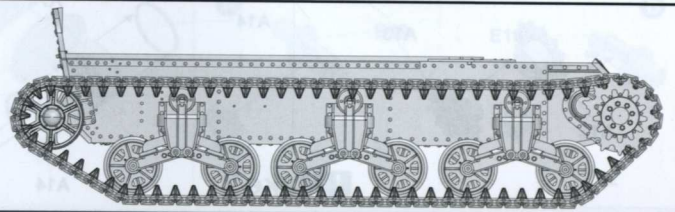
4



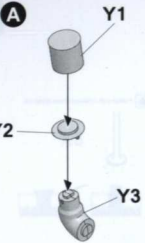
5



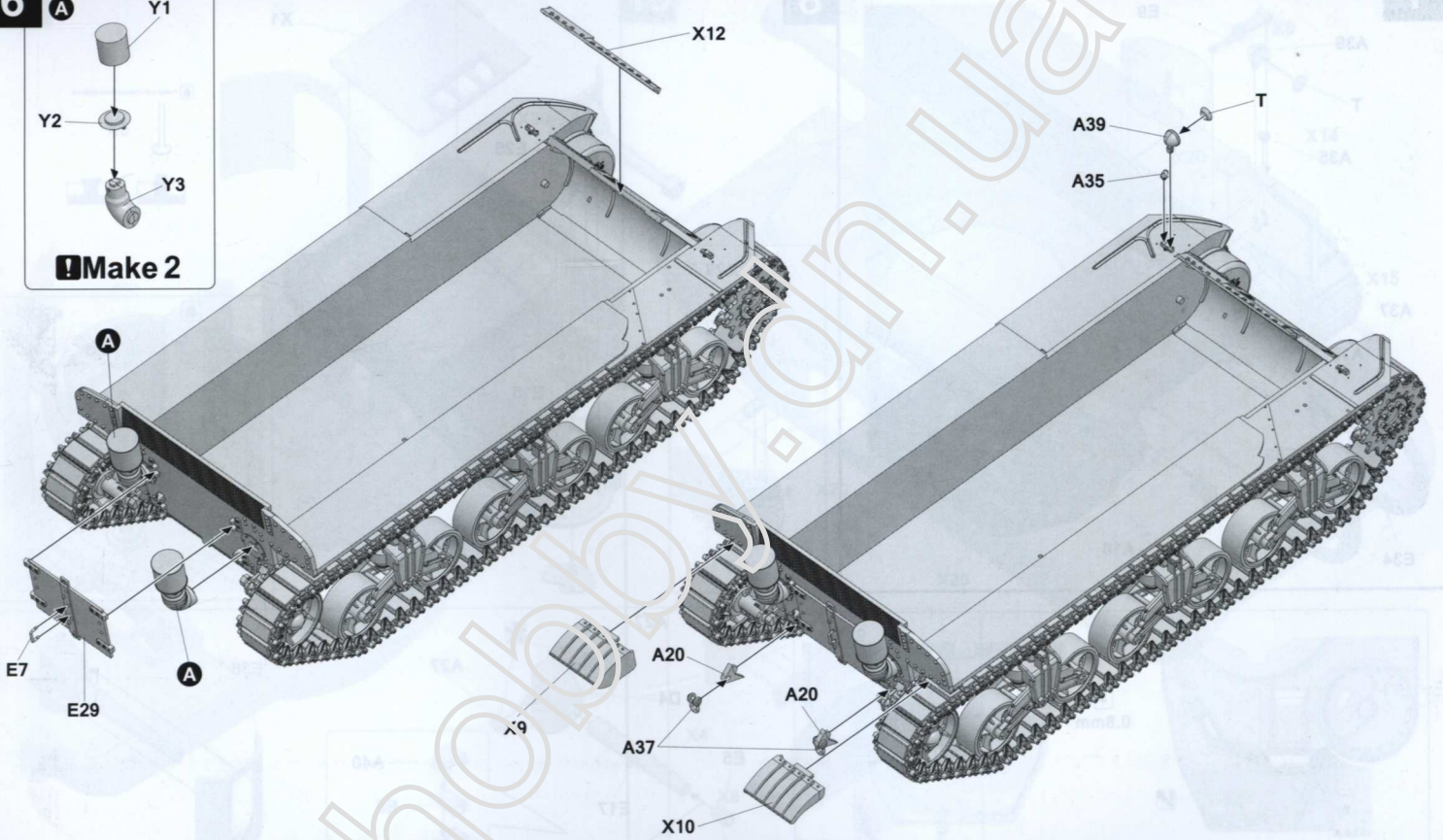
5

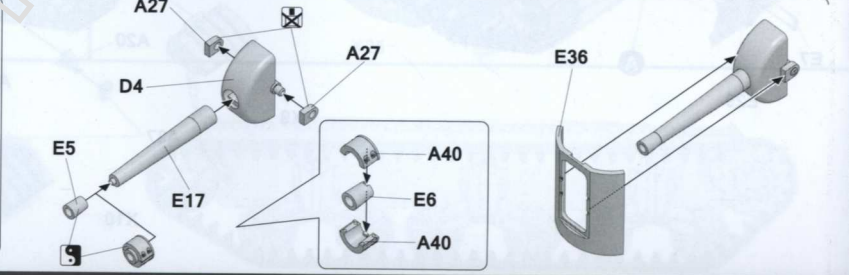
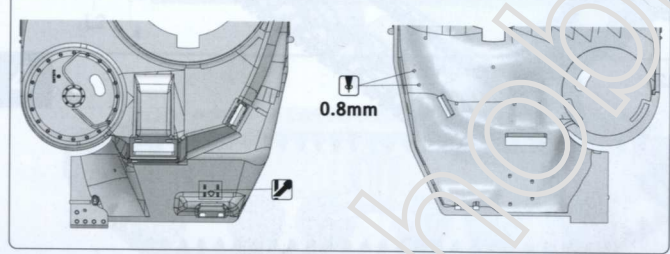
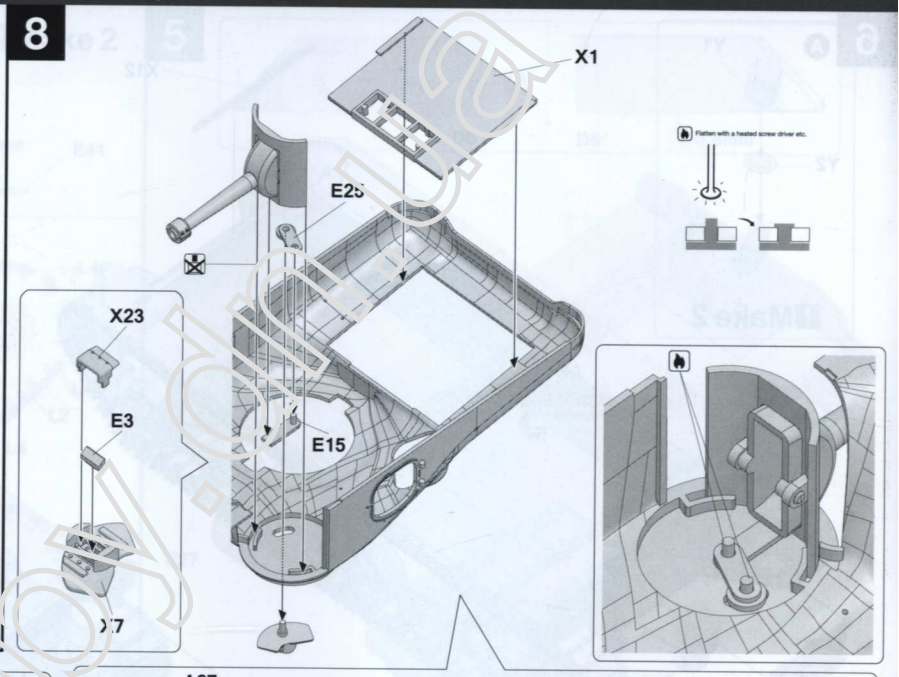
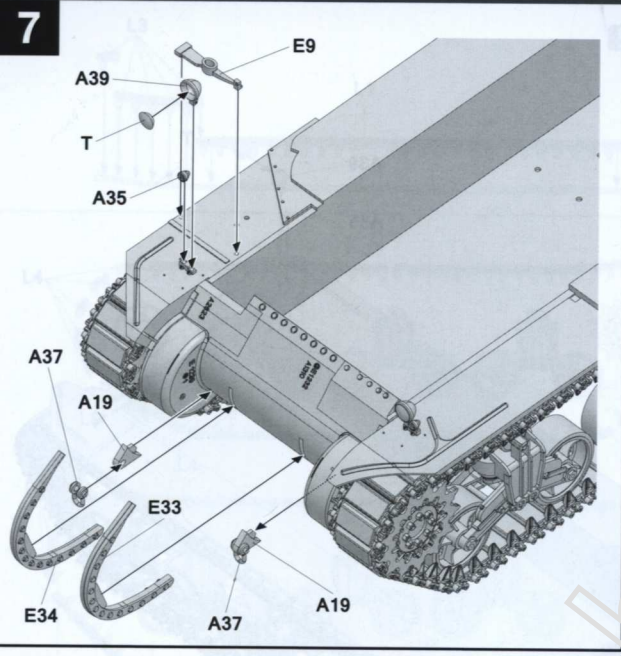


6

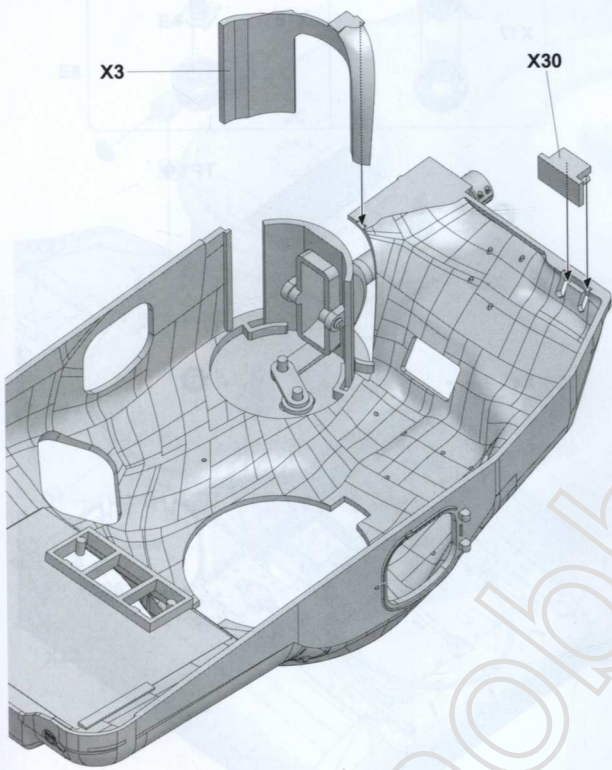


Make 2

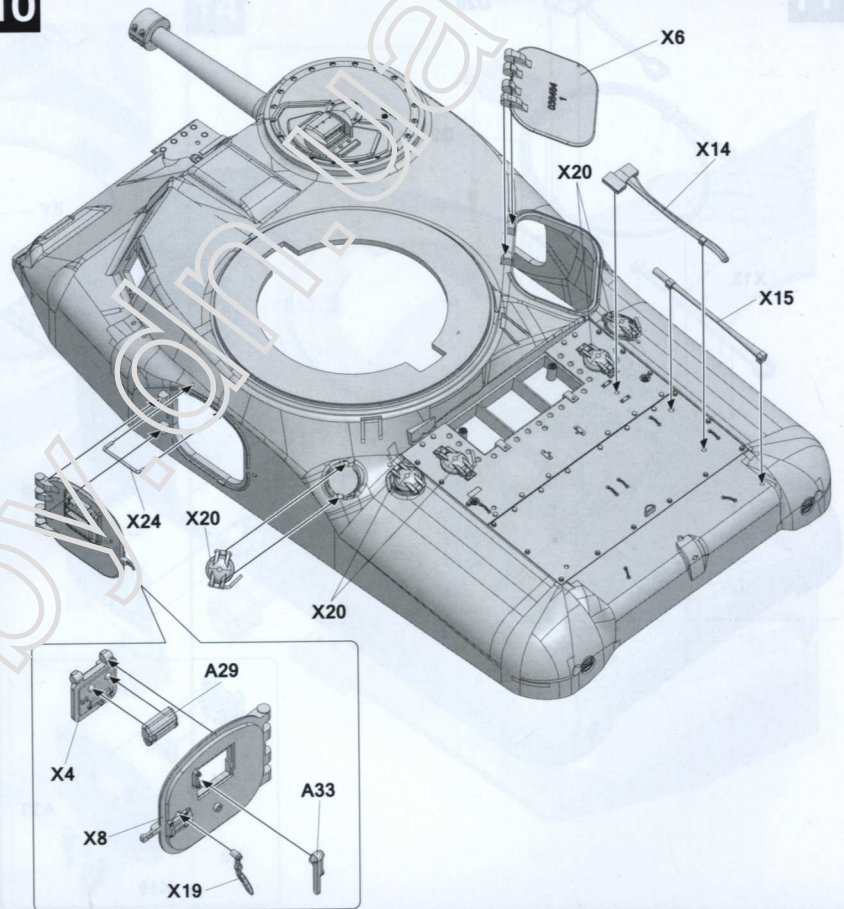




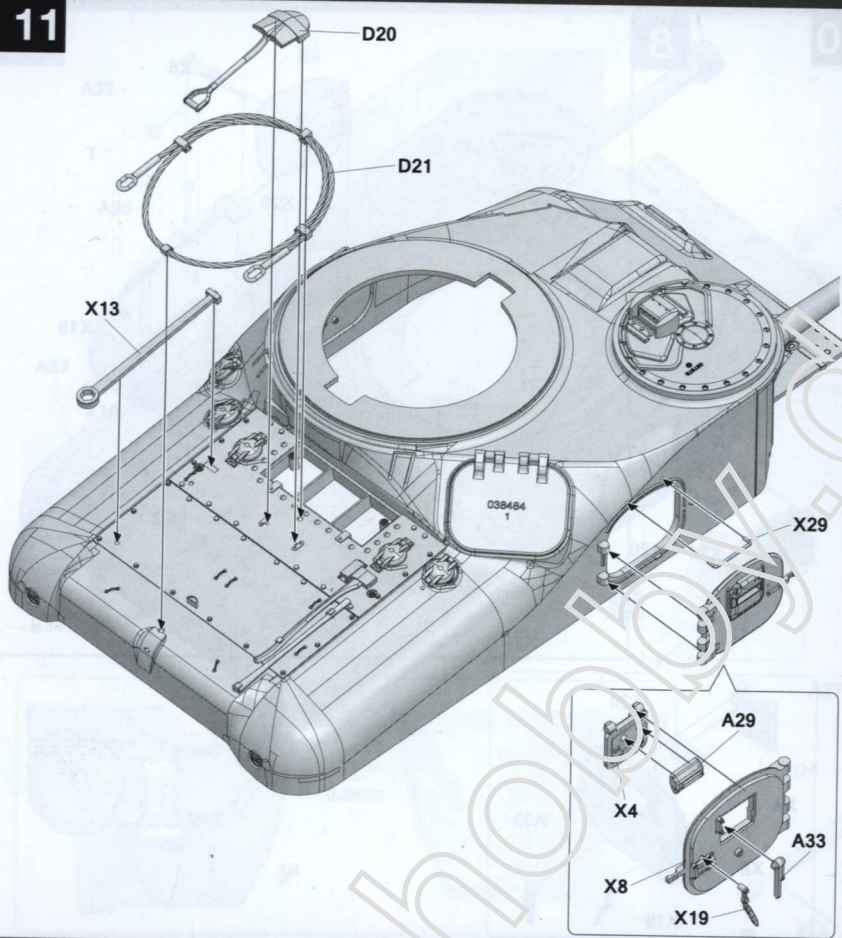
9



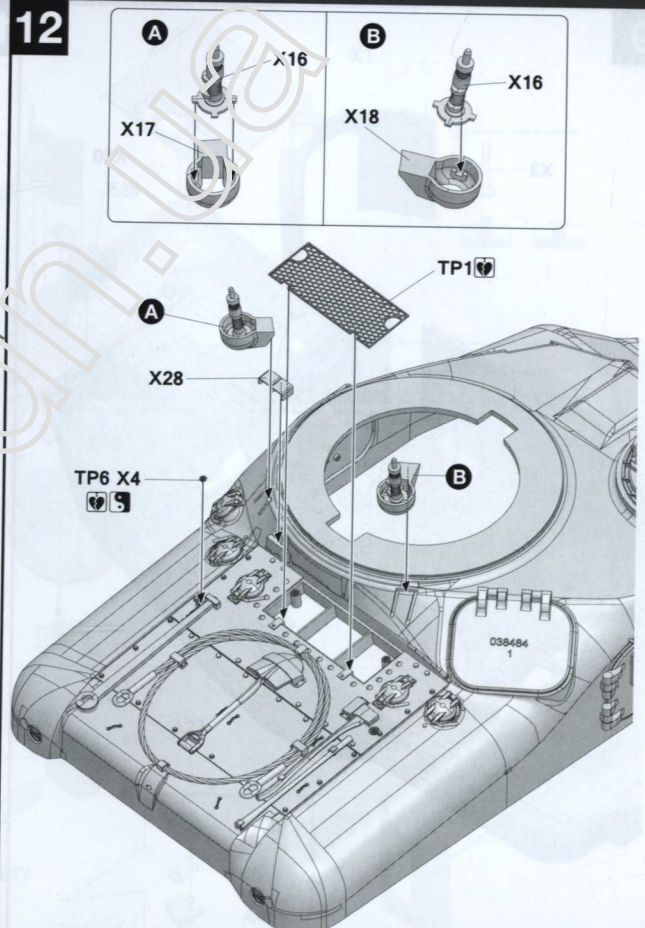
10



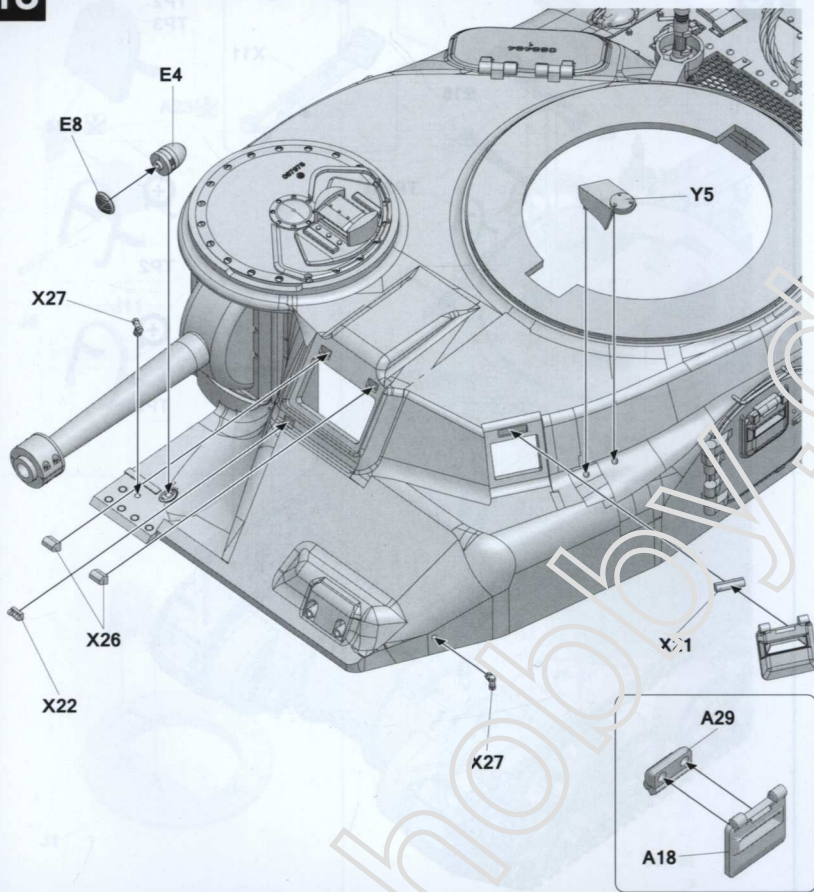
11



12

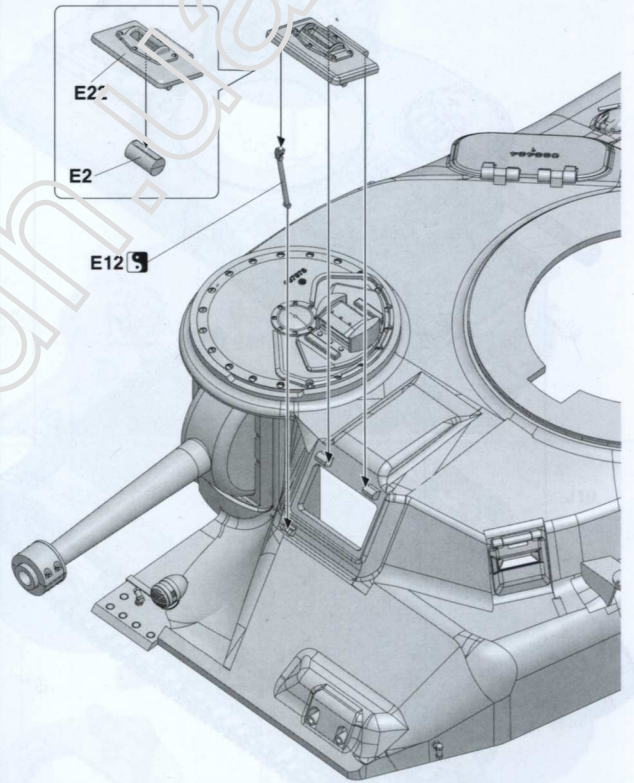


13

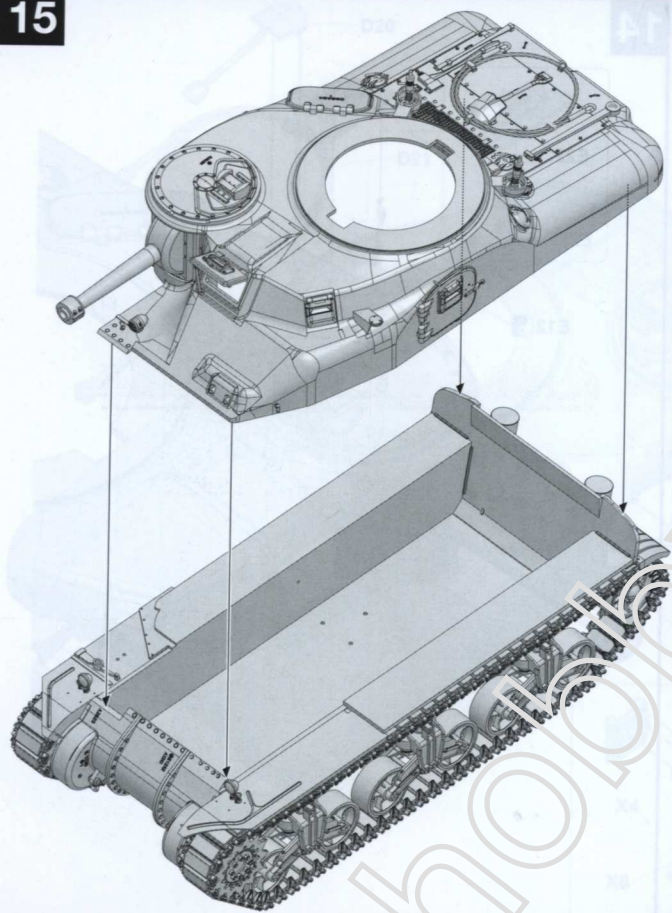


10

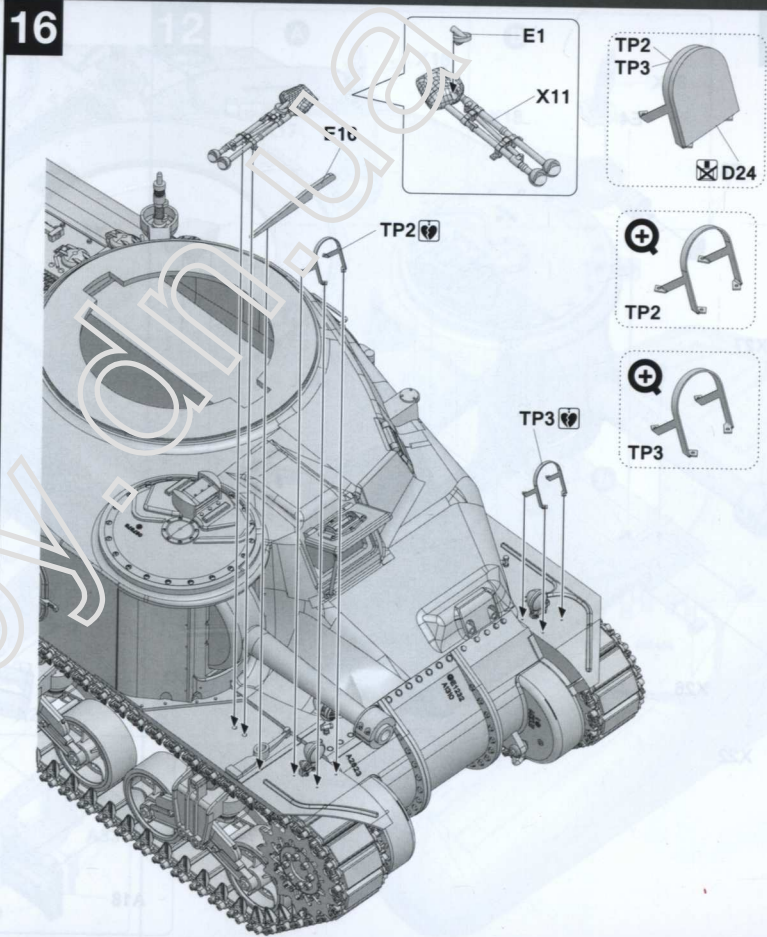
14



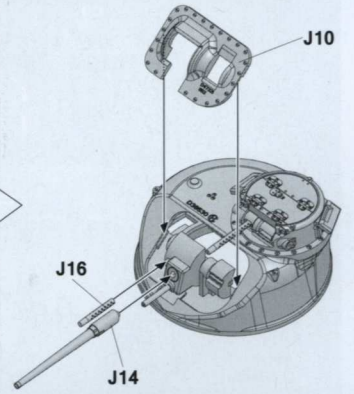
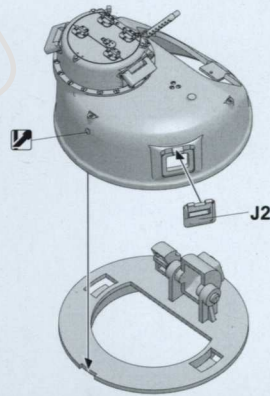
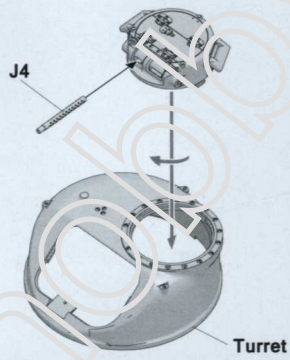
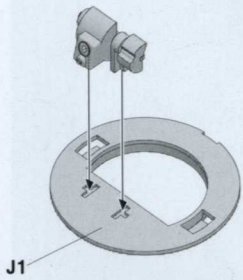
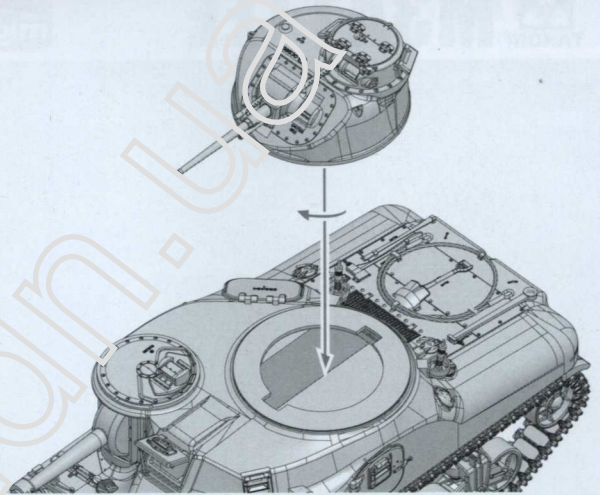
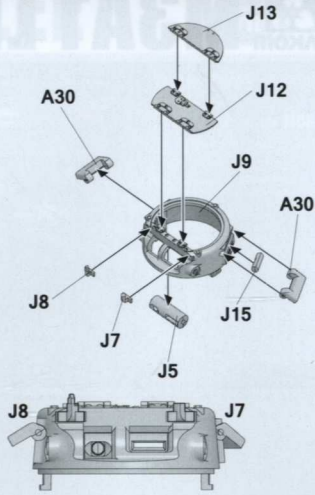
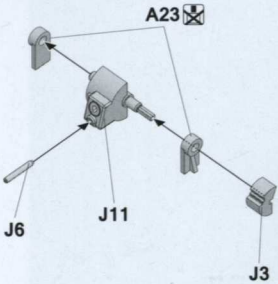
15



16



17



12



M3A1 LEE

www.migimenez.com



M3A1 LEE

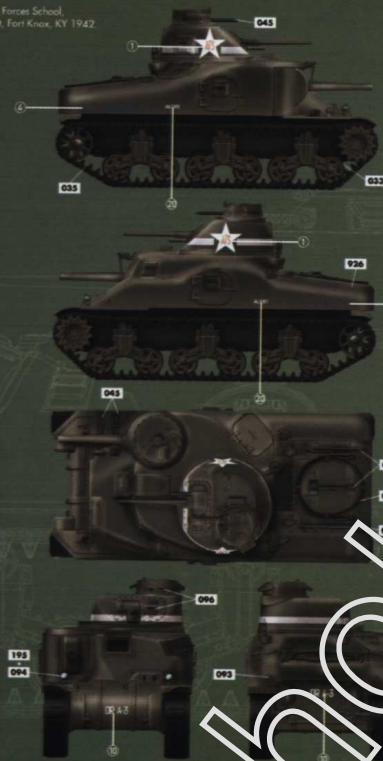
www.migimenez.com



Painting and Marking Guide

TAKOM Ref: 2114
US Medium Tank M3A1 Lee

A-35 "ALERT", Armored Forces School,
Demonstration Regiment, Fort Knox, KY 1942



WEATHERING STEPS WITH AMMO PRODUCTS

- 1 INITIAL WASH**
A.MIG-180 Dark Brown Wash for Green Vehicles
- 2 STREAMLINE**
A.MIG-1280 Dark Streaking Glaze
- 3 TRACK WASH**
A.MIG-1022 Tracks Wash
- 4 SPLASHES**
A.MIG-1733 Tarned Dirt
- 5 RUST**
A.MIG-3024 Europe Earth
- 6 MUD**
A.MIG-1704 Heavy Earth

Painting and Marking Guide

TAKOM Ref: 2114
US Medium Tank M3A1 Lee

B-10 "ROOTS", Armored Forces School,
Demonstration Regiment, Fort Knox, KY 1942



WEATHERING STEPS WITH AMMO PRODUCTS

- 1 INITIAL WASH**
A.MIG-180 Dark Brown Wash for Green Vehicles
- 2 STREAMLINE**
A.MIG-1280 Dark Streaking Glaze
- 3 TRACK WASH**
A.MIG-1022 Tracks Wash
- 4 SPLASHES**
A.MIG-1733 Tarned Dirt
- 5 RUST**
A.MIG-3024 Europe Earth
- 6 MUD**
A.MIG-1704 Heavy Earth

hobby.dn.ua

03.03.2114



M3A1 LEE

www.migjimez.com

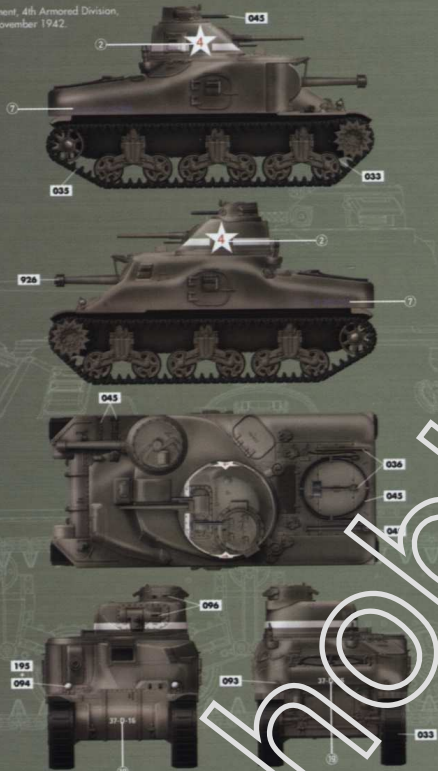


Painting and Marking Guide

TAKOM Ref: 2114
US Medium Tank M3A1 Lee

D-16, 37th Armored Regiment, 4th Armored Division,
Tennessee Maneuvers, 3 November 1942.

- A.MIG 033 Rubber & Tires
- A.MIG 035 Dark Tracks
- A.MIG 036 Old Wood
- A.MIG 045 Gun Metal
- A.MIG 093 Crystal Red
- A.MIG 094 Crystal Glass
- A.MIG 096 Crystal Perceptec Green
- A.MIG 195 Silver
- A.MIG 926 Olive Drab Base



WEATHERING STEPS WITH AMMO PRODUCTS

- | | | | |
|---|--|---|--|
| 1 GENERAL WASH
A.MIG-105 Dark Brown Wash for Green Vehicles | 2 STREAKING
A.MIG-1208 Rainmarks | 3 TRACK WASH
A.MIG-1002 Tracks Wash | 7 SPLASHES
A.MIG-1752 Loose Ground |
| 2 FILTER
A.MIG-1507 TAN for Yellow Green | 4 RUST
A.MIG-3510 Rust | 4 DIRT
A.MIG-3013 Rubble | 8 MUD
A.MIG-1703 Mudd Ground |

03.03.2114



M3A1 LEE

www.migjimez.com



Painting and Marking Guide

TAKOM Ref: 2114
US Medium Tank M3A1 Lee

E-5, 31st Armored Regiment, 7th Armored Division,
Louisiana Maneuvers, 3 October 1942.

- A.MIG 033 Rubber & Tires
- A.MIG 035 Dark Tracks
- A.MIG 036 Old Wood
- A.MIG 045 Gun Metal
- A.MIG 093 Crystal Red
- A.MIG 094 Crystal Glass
- A.MIG 096 Crystal Perceptec Green
- A.MIG 195 Silver
- A.MIG 926 Olive Drab Base



WEATHERING STEPS WITH AMMO PRODUCTS

- | | | | |
|---|---|---|--|
| 1 GENERAL WASH
A.MIG-105 Dark Brown Wash for Green Vehicles | 2 STREAKING
A.MIG-1208 Dark Streaking Green | 3 TRACK WASH
A.MIG-1002 Tracks Wash | 7 SPLASHES
A.MIG-1752 Loose Ground |
| 2 FILTER
A.MIG-1507 TAN for Yellow Green | 4 RUST
A.MIG-3510 Rust | 4 DIRT
A.MIG-3004 Europe Earth | 8 MUD
A.MIG-1703 Mudd Ground |

03.03.2114



M3A1 LEE

www.migimenez.com



Painting and Marking Guide

TAKOM Ref: 2114
US Medium Tank M3A1 Lee

'GALDY DUCHESS', Armored Forces School,
Demonstration Regiment, Fort Knox, KY 1942.

- A.MIG 033 Rubber & Tires
- A.MIG 035 Dark Tracks
- A.MIG 036 Old Wood
- A.MIG 045 Gun Metal
- A.MIG 093 Crystal Red
- A.MIG 094 Crystal Glass
- A.MIG 096 Crystal Petrol/Green
- A.MIG 195 Silver
- A.MIG 926 Olive Drab Base



WEATHERING STEPS WITH AMMO PRODUCTS

- | | | | |
|---|--|---|---|
| 1 GENERAL WASH
A.MIG-105 Dark Brown Wash for Green Vehicles | 3 STREAKING
A.MIG-1206 Dark Drecking Grime | 5 TRACK WASH
A.MIG-1002 Tracks Wash | 7 SPLASHES
A.MIG-1753 Turned Dirt |
| 2 FILTER
A.MIG-1507 TAN for Yellow Green | 4 RUST
A.MIG-3510 Rust | 6 DIRT
A.MIG-3004 Europe Earth | 8 MUD
A.MIG-1704 Heavy Earth |

03.03.2114



M3A1 LEE

www.migimenez.com



Painting and Marking Guide

TAKOM Ref: 2114
US Medium Tank M3A1 Lee

H-15, 37th Armored Regiment, 2nd Armored Division,
Tennessee Maneuvers, 15 October 1942.

- A.MIG 033 Rubber & Tires
- A.MIG 035 Dark Tracks
- A.MIG 036 Old Wood
- A.MIG 045 Gun Metal
- A.MIG 093 Crystal Red
- A.MIG 094 Crystal Glass
- A.MIG 096 Crystal Petrol/Green
- A.MIG 195 Silver
- A.MIG 926 Olive Drab Base



WEATHERING STEPS WITH AMMO PRODUCTS

- | | | | |
|---|--|---|--|
| 1 GENERAL WASH
A.MIG-105 Dark Brown Wash for Green Vehicles | 3 STREAKING
A.MIG-1208 Flammants | 5 TRACK WASH
A.MIG-1002 Tracks Wash | 7 SPLASHES
A.MIG-1752 Lower Ground |
| 2 FILTER
A.MIG-1507 TAN for Yellow Green | 4 RUST
A.MIG-3510 Rust | 6 DIRT
A.MIG-3013 Rubble | 8 MUD
A.MIG-1703 Muddy Ground |

03.03.2114



M3A1 LEE

www.migimenez.com



Painting and Marking Guide

A.MIG 033 Rubber & Tire	A.MIG 035 Dark Treads	A.MIG 036 Old Wood	A.MIG 045 Gun Metal
A.MIG 093 Crystal Red	A.MIG 094 Crystal Green	A.MIG 096 Crystal Orange Green	A.MIG 195 Silver
A.MIG 928 Olive Drab Base			

TAKOM Ref: 2114
US Medium Tank M3A1 Lee

Pilot M3A1, Serial Number 1962, Aberdeen Proving Grounds, February 1942.



WEATHERING STEPS WITH AMMO PRODUCTS

- | | | | |
|---|--|---------------------------|-------------------------------------|
| 1 GENERAL WASH
A.MIG-1000 Dark Brown Wash for Green Vehicles | 2 STREAKING
A.MIG-1208 Dark Streaking Glaze | 3 RUST
A.MIG-3004 Rust | 4 SPLASHES
A.MIG-1754 Damp Earth |
| 2 FLESH
A.MIG-1507 Tint for Yellow Green | 4 RUST
A.MIG-3070 Rust | 5 RUST
A.MIG-3004 Rust | 4 RUST
A.MIG-1700 Wet Mud |

