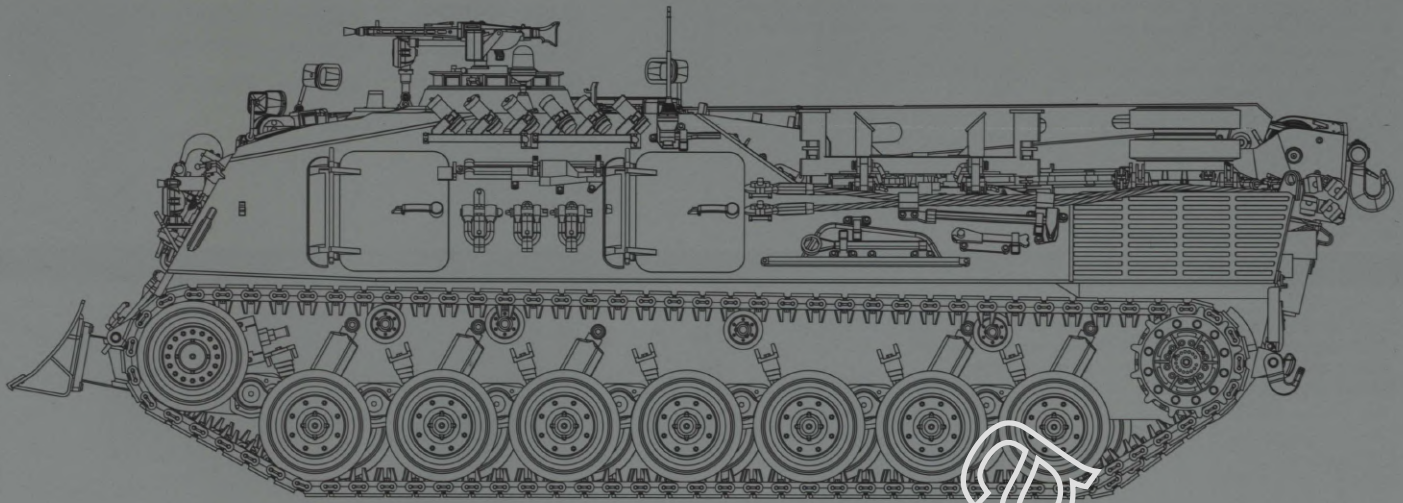


# BERGEPANZER 2



Based on the German Leopard 1 tank, the Bergepanzer 2 armored recovery vehicle is designed to ensure the mobility of armored forces by recovering & repairing damaged and broken down Leopard tanks. These vehicles are operated by the logistical forces and tank grenadier companies of the Bundeswehr, as well as foreign operators of the Leopard 1 tank. Weighing in at 40.8 tons, some 480 units were produced between 1965-1969.

The vehicle is supported by a crew of 4: the commander, driver, machine gunner, and radio operator. The welded construction offers the same protection as the Leopard 1, with 25-35mm thick armor at the sides and 10mm armor on the roof, and offers NBC protection and a fire warning & suppression system. Combat protection is provided by a bow-mounted MG-3 and a roof mounted MG-3 AA gun, and six 76mm smoke grenade launchers. The Bergepanzer 2 is powered by a 830 hp 10 cylinder MTU M2038 C16 500 multi-fuel engine pack reaching a top speed of 62 km/h with a range of 850km.

The vehicle is equipped with a boom for lifting engines in & out of tanks, as well as a spade & winch system for recovering bogged down vehicles. The Bergepanzer 2 serves in multiple armies around the world to this day.

03.02.2122

## READ BEFORE ASSEMBLY

### CAUTION

- Read carefully and fully understand the instructions before commencing assembly. A supervising adult should also read the instructions if a child assembles the model.
- When assembling this kit, tools including knives used. Extra care should be taken to avoid personal injury.
- Keep out of reach of small children. Children must not be allowed to suck any part, or pull vinyl bag over their heads.



Optional



Do Not Cement



Be Careful



Instant Glue for Metal

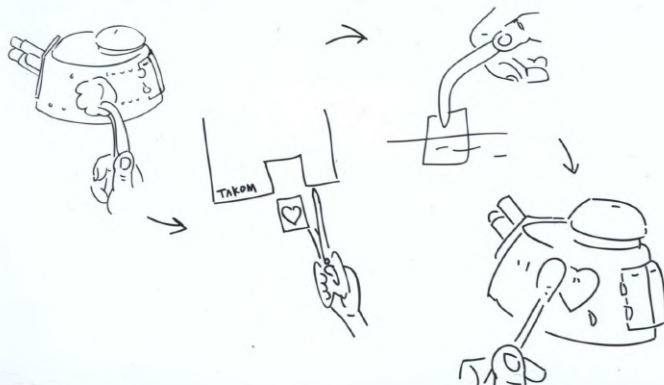
### PAINTS REQUIRED

Color info and profiles by Mig Jimenez

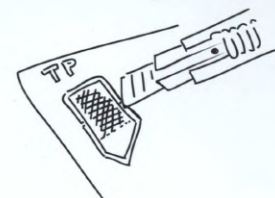
A.MIG-0010 Rubber & Tires	A.MIG-0015 Dark Tracks	A.MIG-0017 New Wood	A.MIG-0045 Gun Metal
A.MIG-0100 Silver	A.MIG-0018 Crystal Periscope Green	A.MIG-0019 Crystal Orange	A.MIG-0023 Crystal Red
A.MIG-0034 Crystal Glass	A.MIG-0084 Nato Green	A.MIG-0048 Matt Black	A.MIG-0085 Nato Brown
A.MIG-0019 Desert Sand	A.MIG-0049 Red	A.MIG-0019 Matt White	

## APPLYING DECALS

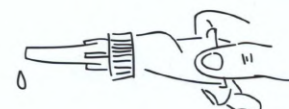
1. Clean the model surface with a wet cloth.
2. Cut out each decal design from sheet, and dip it in tepid water for 15-20 sec.
3. Hold the backing sheet edge and slide decal onto the model.
4. Move decal into position by wetting decal with finger.
5. Press decal gently down with a soft cloth until excess water and air bubbles are gone.



## REMOVING PE



Be careful not to hurt when removing PE parts.



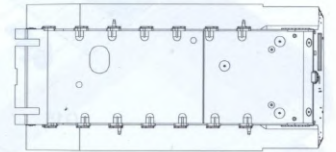
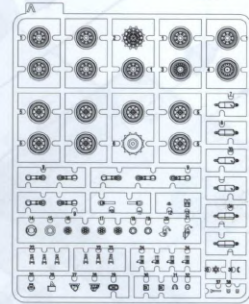
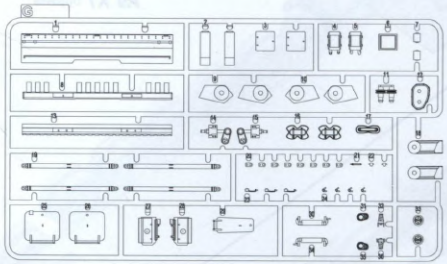
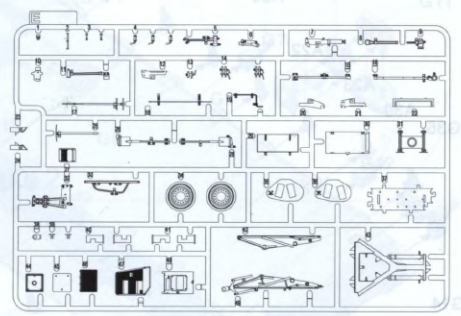
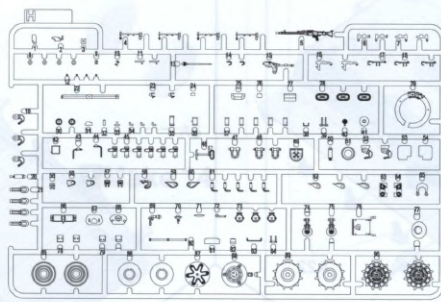
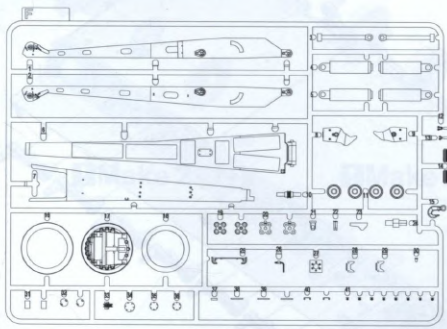
Secure using instant glue (not included).



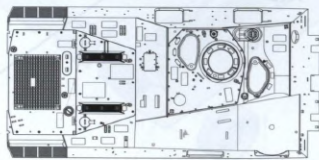
Finish using file.



# PARTS



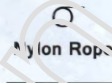
Lower Hull



Upper Hull



Poly Cap B X6



Nylon Rope X3



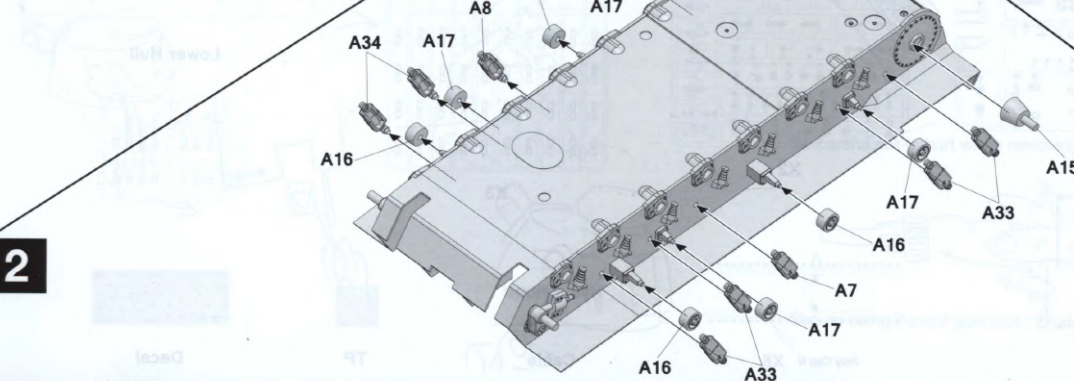
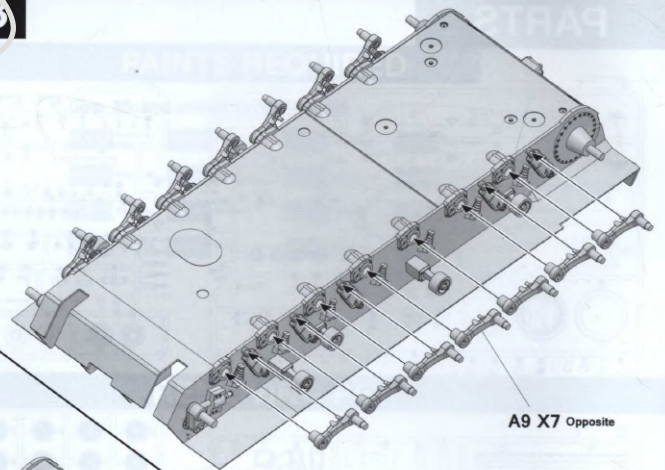
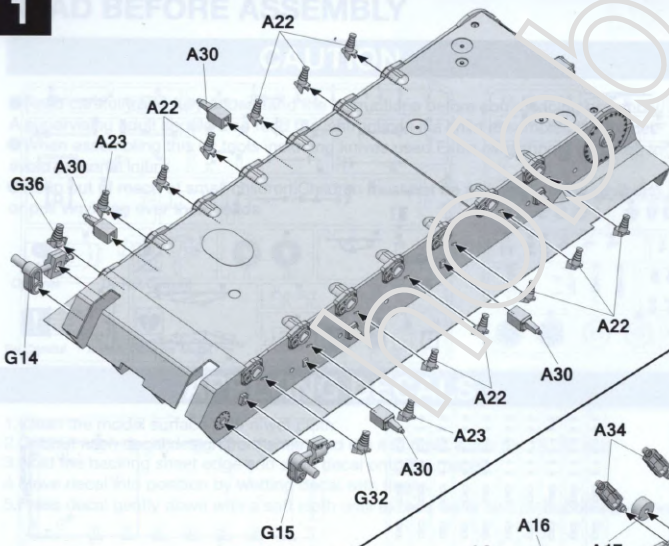
TP



Decal

2

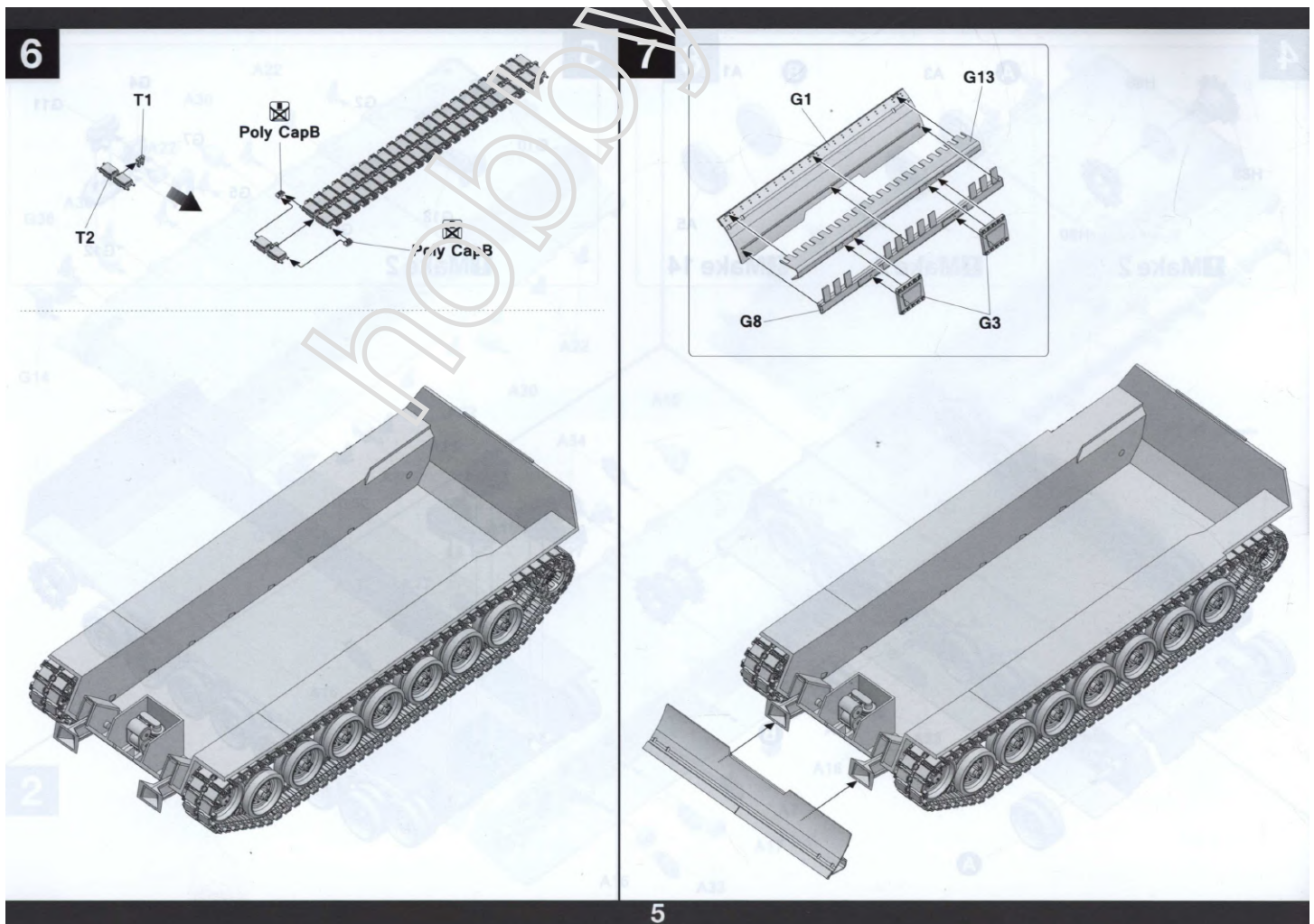
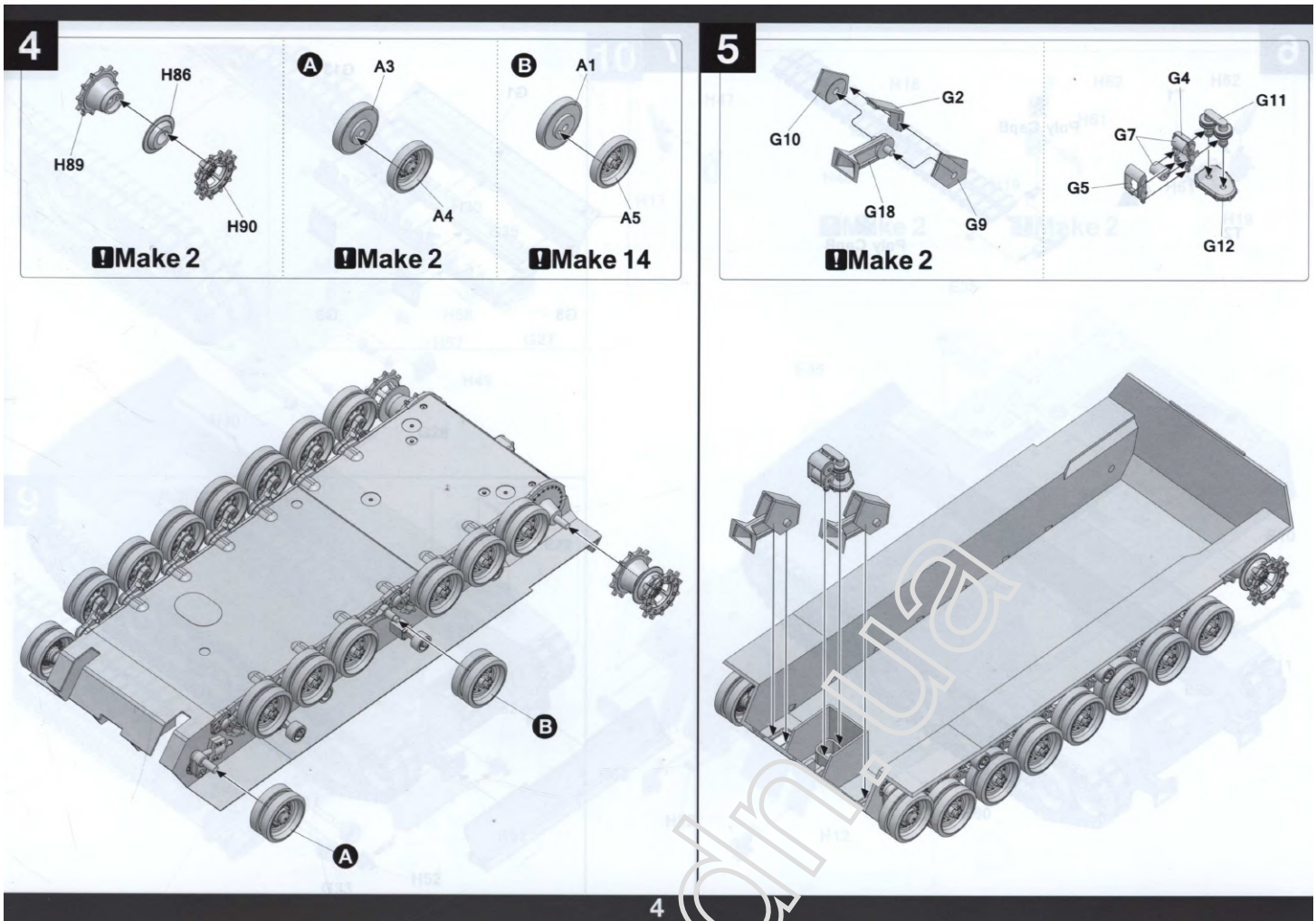
1 READ BEFORE ASSEMBLY



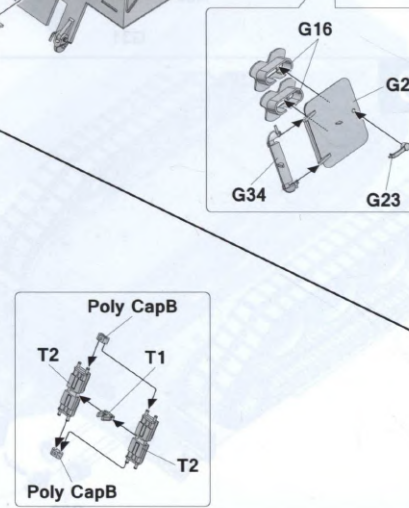
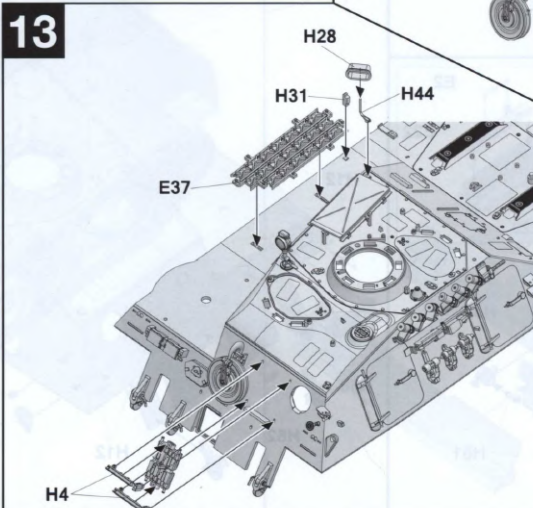
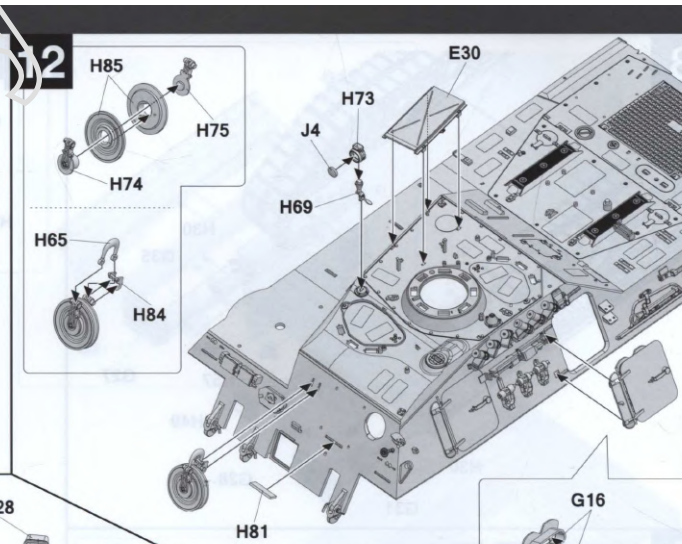
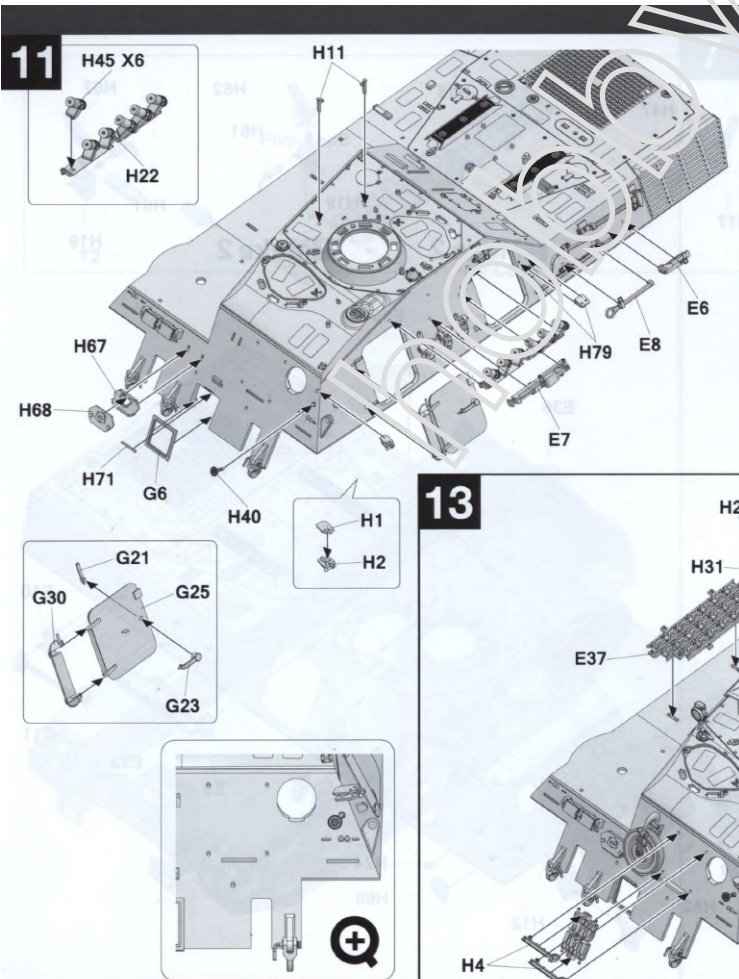
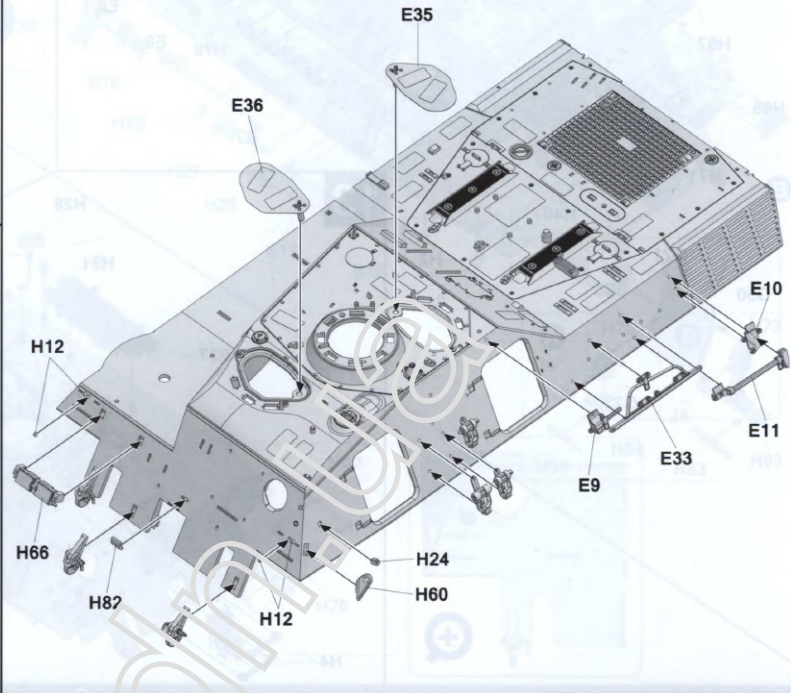
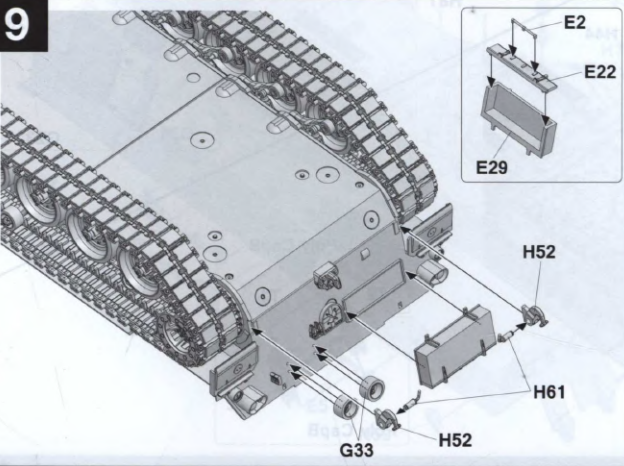
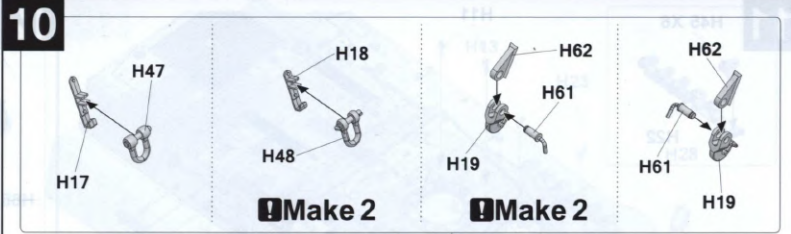
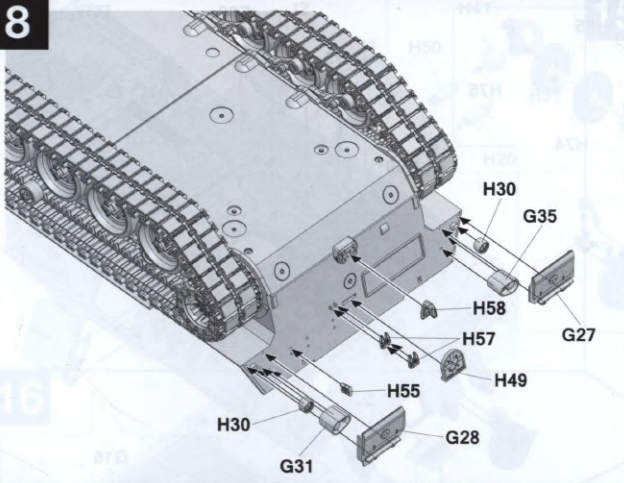
2

3

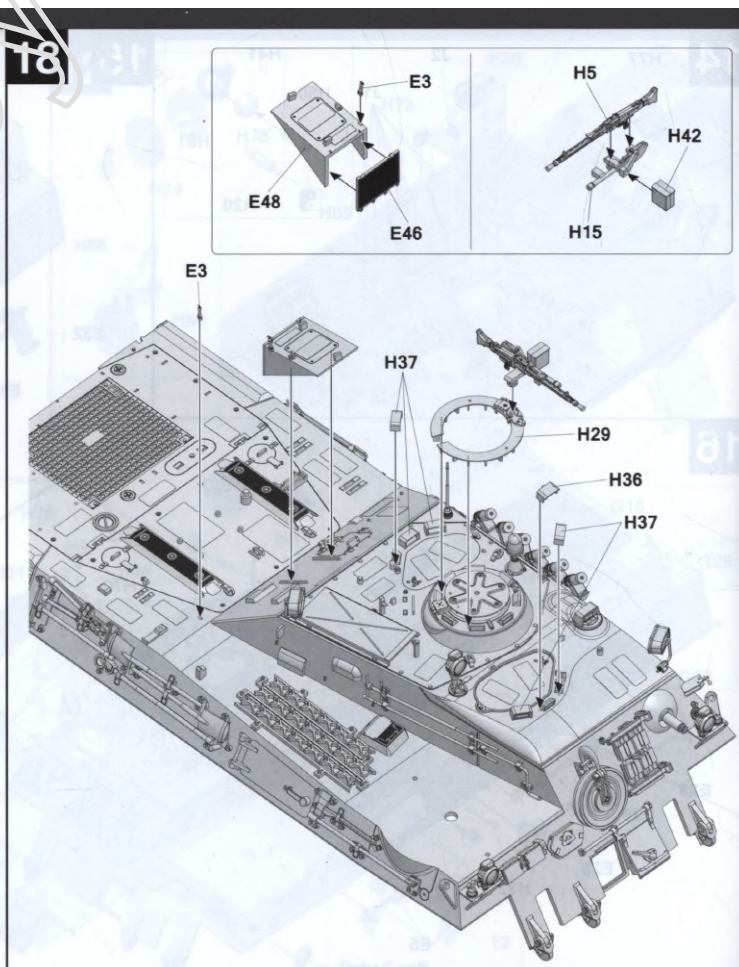
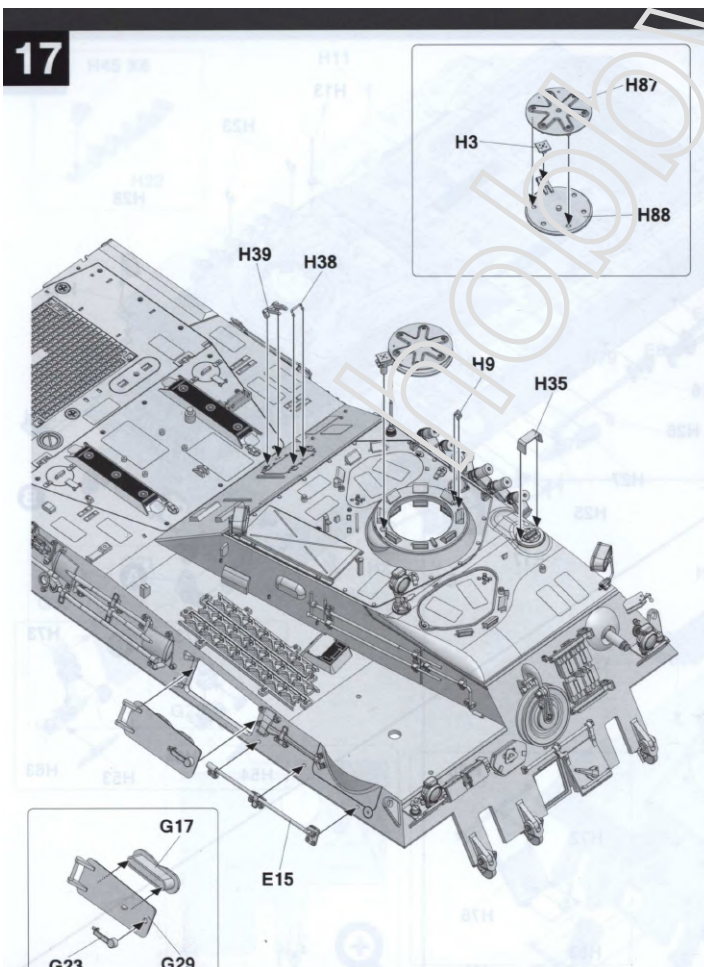
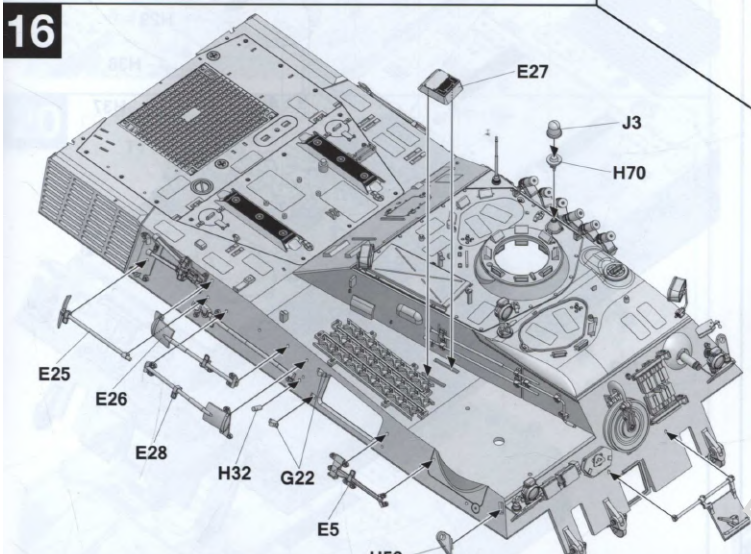
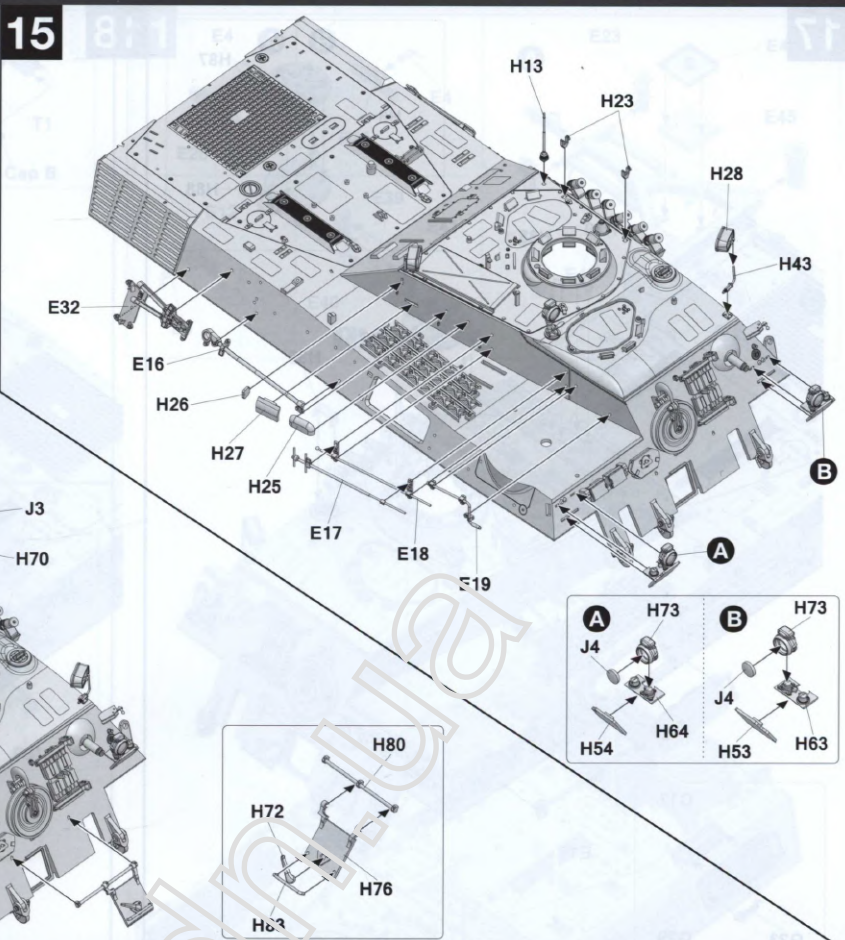
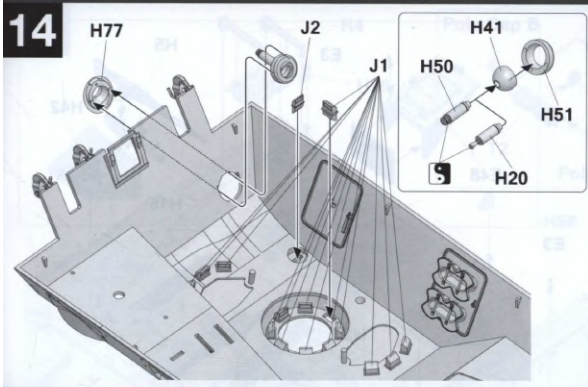






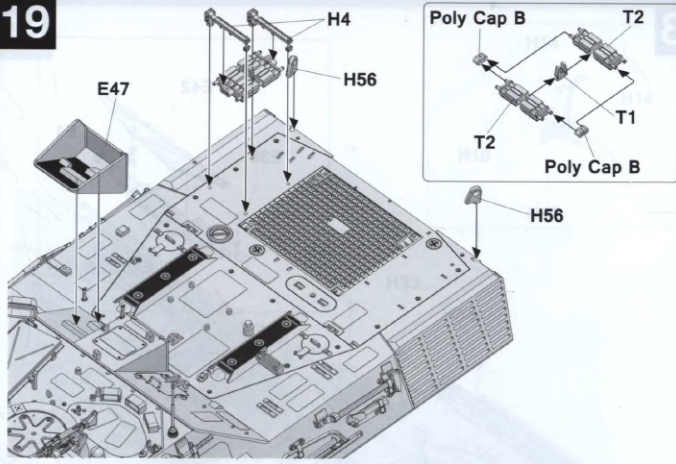




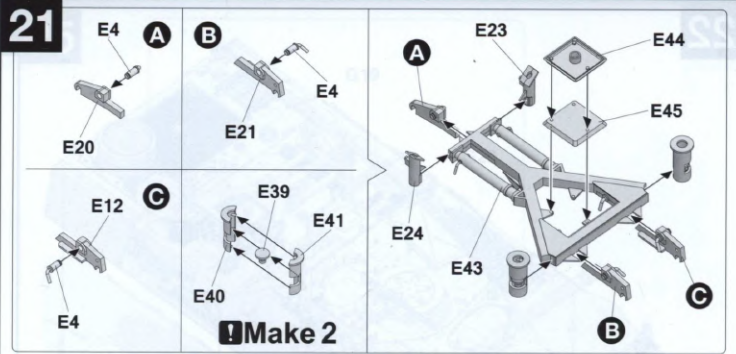




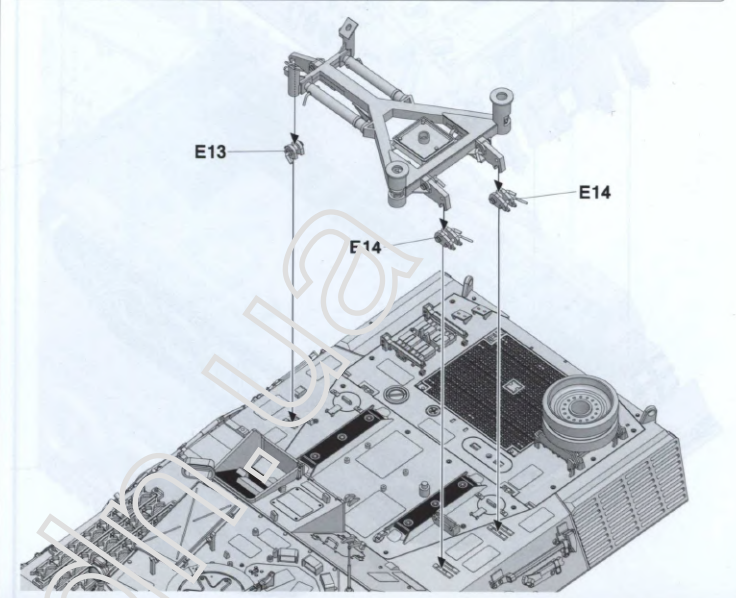
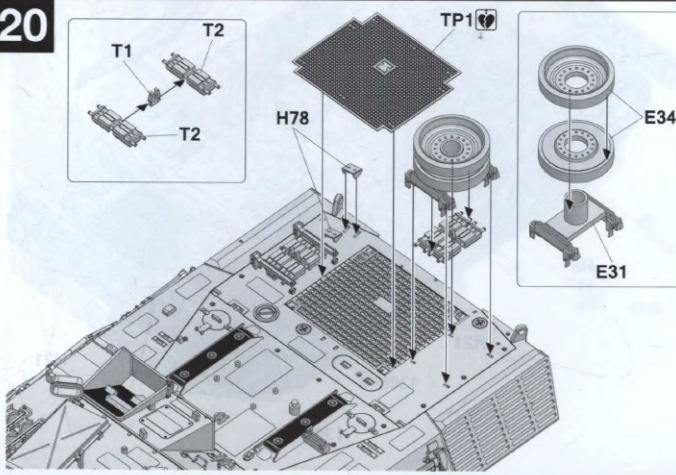
19



21

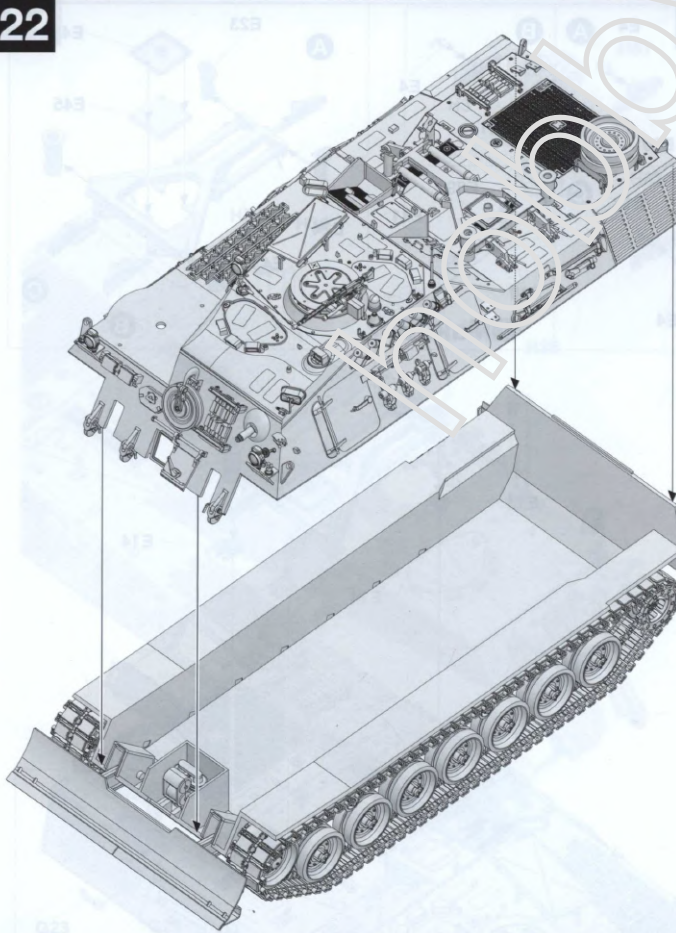


20

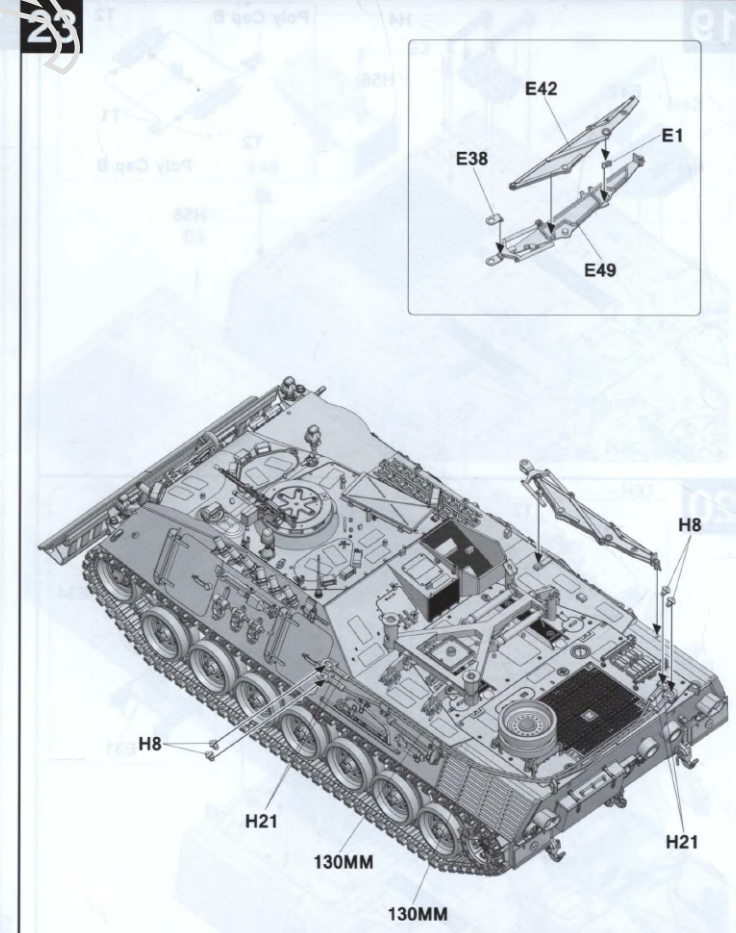


10

22



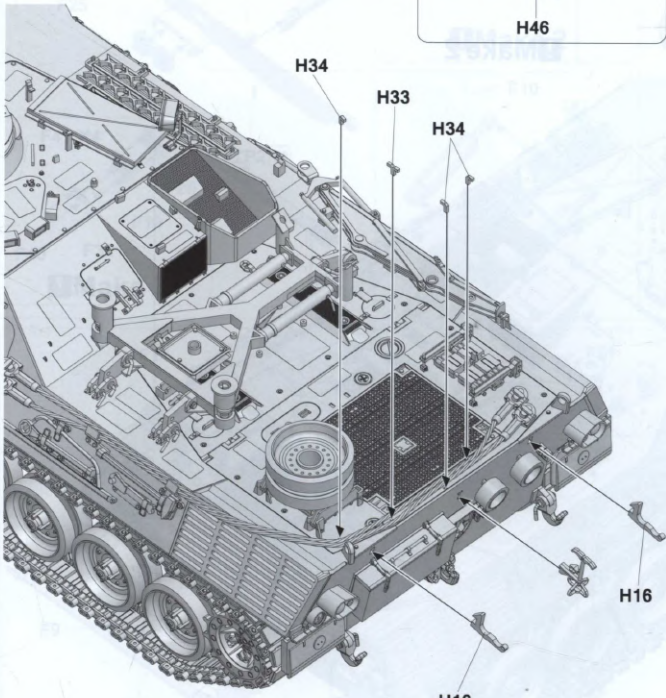
23



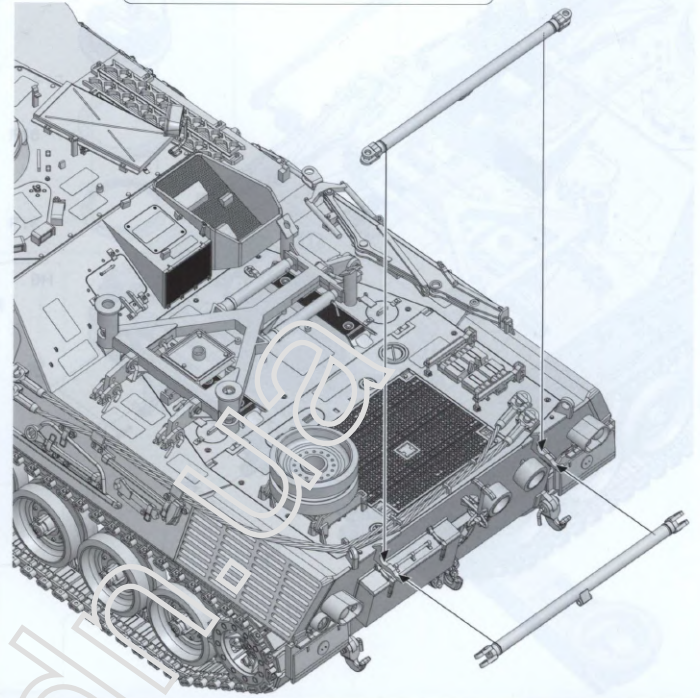
11



24

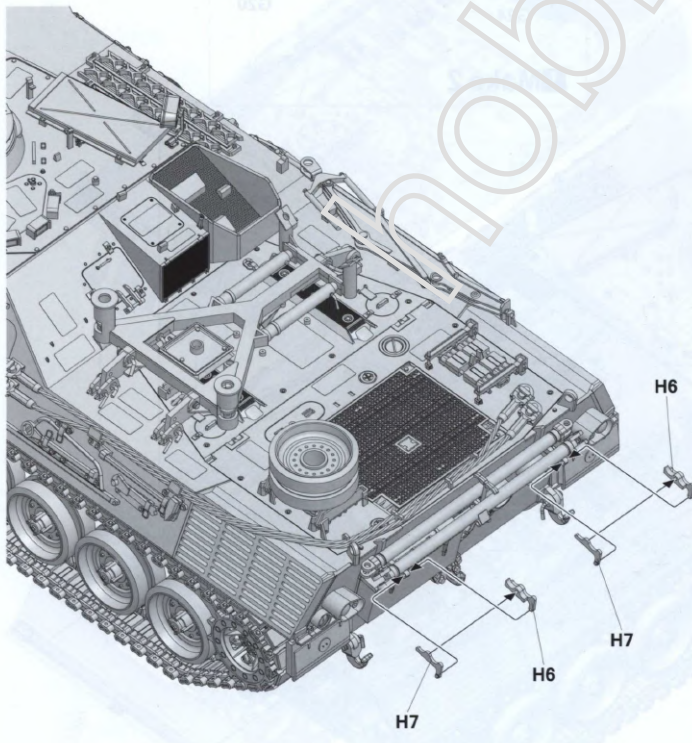


25

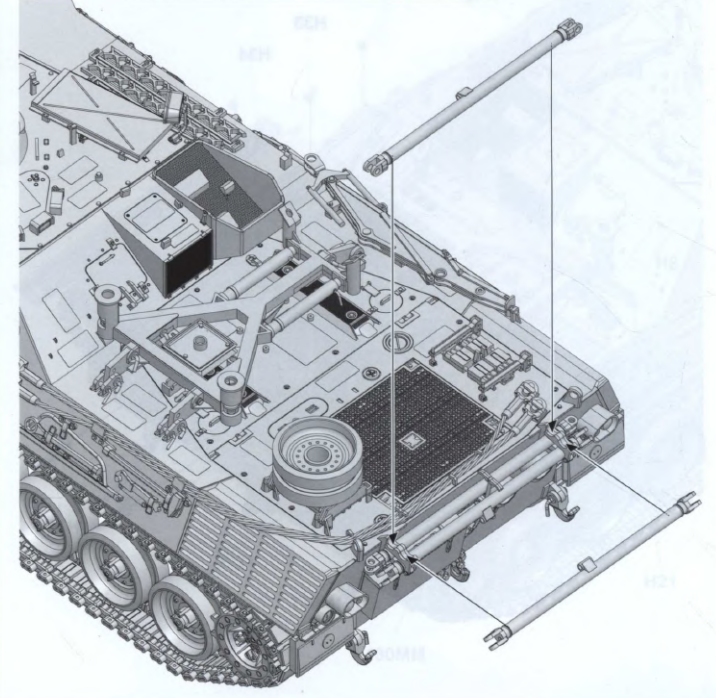


12

26

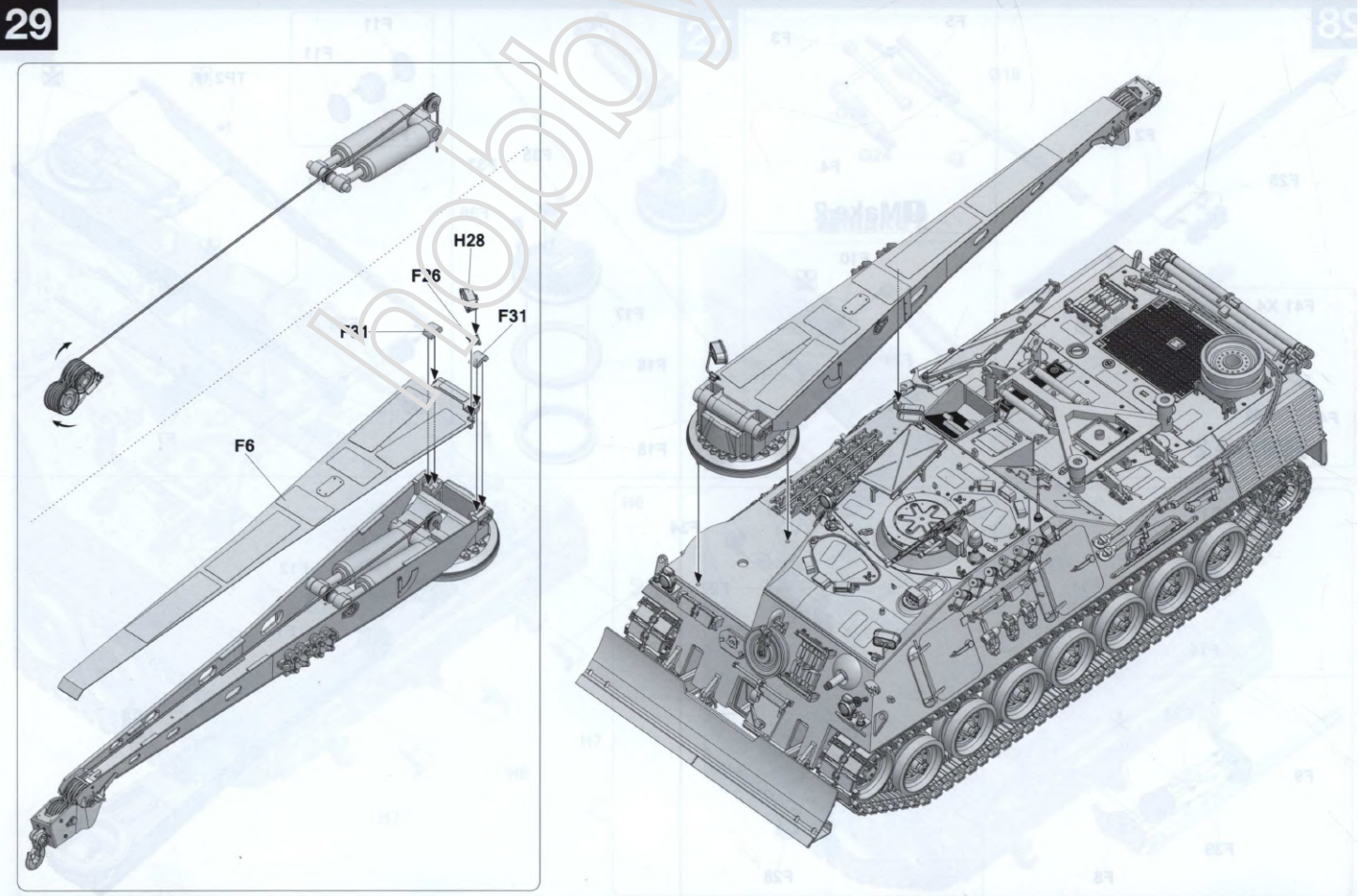
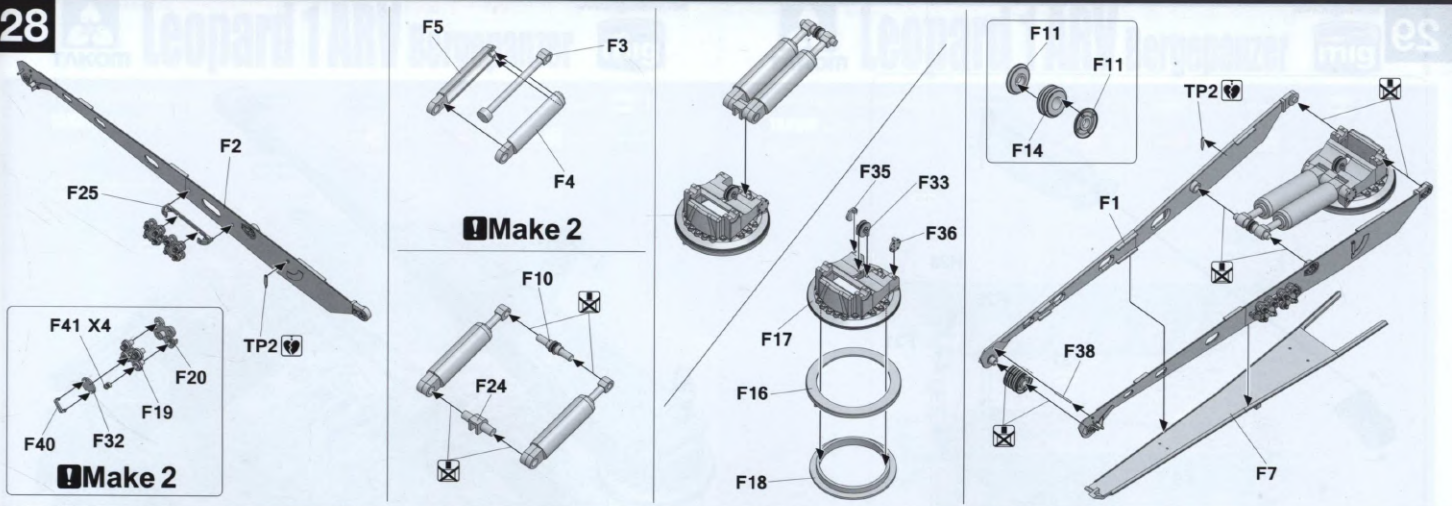


27



13







03.03.2122



# Leopard 1 ARV Bergepanzer

www.migimenez.com



Painting and Marking Guide

TAKOM Ref: 2122

Leopard 1 ARV Bergepanzer

3./Panzerarmeeberbattalion 401, Hagenow 2004



WEATHERING STEPS WITH AMMO PRODUCTS

- 1 GENERAL WASH: A.MIG-1008 Dark Wash
- 2 FILTER: A.MIG-1910 Tan for 3 Tone Camo
- 3 STREAMING: A.MIG-1283 Streaming/Grime Grease
- 4 TRACK WASH: A.MIG-1002 Tracks Wash
- 5 RAINMARKS: A.MIG-1208 Rainmarks Effects
- 6 DIRT: A.MIG-2013 Rabble
- 7 MUD & SPLASHES: A.MIG-1704 Heavy Earth / A.MIG-1753 Toned Df
- 8 GREASE & OIL: A.MIG-1408 Fresh Engine Oil

03.03.2122



# Leopard 1 ARV Bergepanzer

www.migimenez.com



Painting and Marking Guide

TAKOM Ref: 2122

Leopard 1 ARV Bergepanzer

Chilean



WEATHERING STEPS WITH AMMO PRODUCTS

- 1 GENERAL WASH: A.MIG-1008 Dark Wash
- 2 FILTER: A.MIG-1503 Coyote Dust
- 3 STREAMING: A.MIG-1287 Streaming Grease for US Modern Vehicles
- 4 RAINMARKS: A.MIG-1288 Streaming/Grime Dust
- 5 TRACKS WASH: A.MIG-1002 Tracks Wash
- 6 DIRT: A.MIG-2012 Sand
- 7 MUD & SPLASHES: A.MIG-1702 Clay-Light Soil / A.MIG-1752 Dry Earth
- 8 GREASE & OIL: A.MIG-1408 Fresh Engine Oil

03.03.2122



# Leopard 1 ARV Bergepanzer

www.migimenez.com

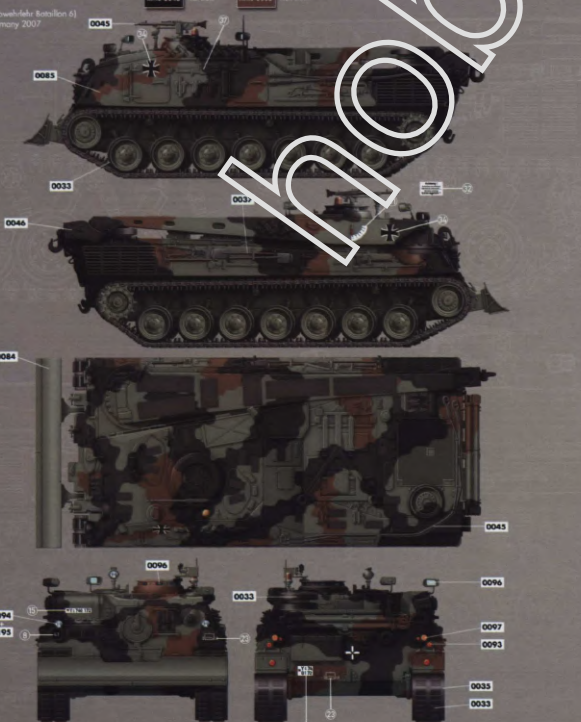


Painting and Marking Guide

TAKOM Ref: 2122

Leopard 1 ARV Bergepanzer

Höbtl LA (Flugabwehrabtl. Battalion 6), Ulftberg, Germany 2007



WEATHERING STEPS WITH AMMO PRODUCTS

- 1 GENERAL WASH: A.MIG-1008 Dark Wash
- 2 FILTER: A.MIG-1910 Tan for 3 Tone Camo
- 3 STREAMING: A.MIG-1283 Streaming/Grime Grease
- 4 TRACK WASH: A.MIG-1002 Tracks Wash
- 5 RAINMARKS: A.MIG-1208 Rainmarks Effects
- 6 DIRT: A.MIG-2013 Rabble
- 7 MUD & SPLASHES: A.MIG-1704 Heavy Earth / A.MIG-1753 Toned Df
- 8 GREASE & OIL: A.MIG-1408 Fresh Engine Oil

03.03.2122



# Leopard 1 ARV Bergepanzer

www.migimenez.com

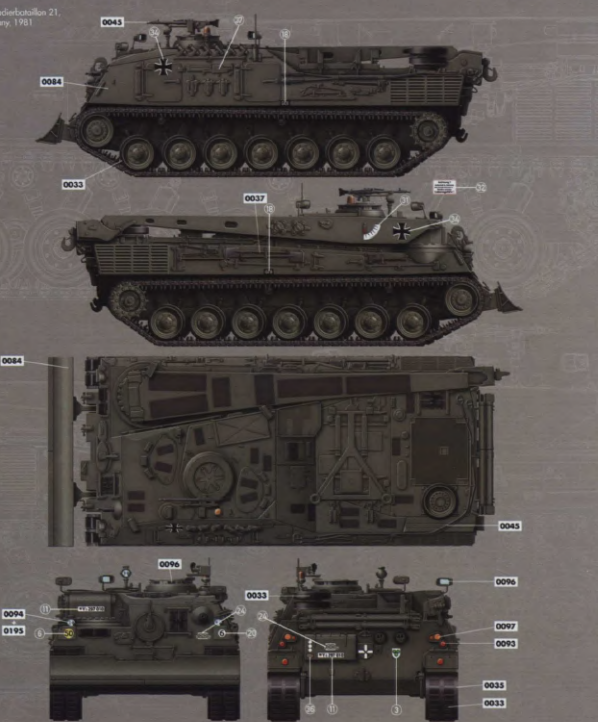


Painting and Marking Guide

TAKOM Ref: 2122

Leopard 1 ARV Bergepanzer

Panzerarmeeberbattalion 21, West Germany 1961



WEATHERING STEPS WITH AMMO PRODUCTS

- 1 GENERAL WASH: A.MIG-1005 Dark Brown Wash for Green
- 2 FILTER: A.MIG-1508 Green for Grey Green
- 3 STREAMING: A.MIG-1288 Streaming/Grime Dust
- 4 TRACKS WASH: A.MIG-1002 Tracks Wash
- 5 RAINMARKS: A.MIG-1288 Streaming/Grime Dust
- 6 DIRT: A.MIG-3028 Clay Dark Dust
- 7 MUD & SPLASHES: A.MIG-1703 Wet Ground / A.MIG-1752 Loose Ground
- 8 GREASE & OIL: A.MIG-1408 Fresh Engine Oil



### Painting and Marking Guide

TAKOM Ref: 2122

Leopard 1 ARV Bergepanzer

Panzergrenadierbataillon 51,  
Wassersburgplatz Haus,  
Münster, West Germany, 1984



#### WEATHERING STEPS WITH AMMO PRODUCTS

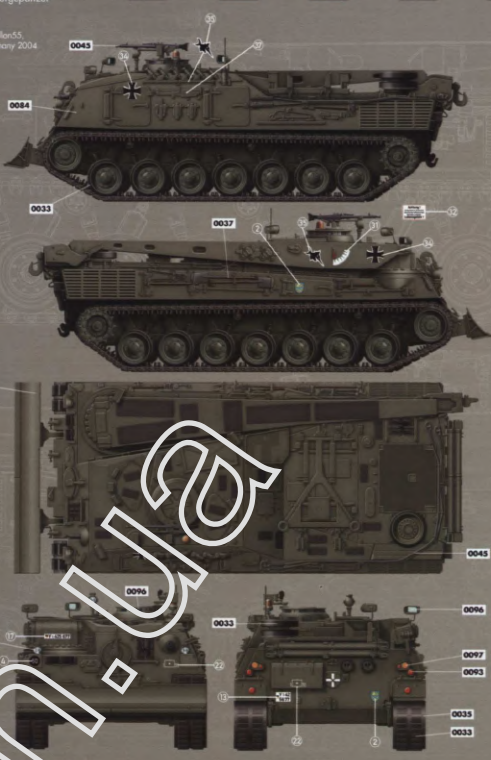
- 1 GENERAL WASH**  
A.MIG-1008 Dark Wash
- 2 STREAMING**  
A.MIG-1303 Streaming Grime
- 3 DIRT**  
A.MIG-1258 Streamingbrusher Dust
- 4 MUD & SPLASHES**  
A.MIG-1705 (Hot Mud) / A.MIG-1754 Damp Earth
- 5 TRACK WASH**  
A.MIG-1002 Tracks Wash
- 6 DIRT**  
A.MIG-3004 Europe Earth
- 7 GREASE & OIL**  
A.MIG-1408 Fresh Engine Oil
- 8 FILTER**  
A.MIG-1508 Green
- 9 PAINTMARKS**  
A.MIG-1258 Streamingbrusher Dust
- 10 TRACKS WASH**  
A.MIG-1002 Tracks Wash
- 11 DIRT**  
A.MIG-3028 City Dark Dust
- 12 MUD & SPLASHES**  
A.MIG-1703 Wet Ground / A.MIG-1752 Loose Ground
- 13 GREASE & OIL**  
A.MIG-1408 Fresh Engine Oil

### Painting and Marking Guide

TAKOM Ref: 2122

Leopard 1 ARV Bergepanzer

Rotarmir/Verbandsflotilla 05,  
Hornberg/Efm, Germany, 2004



#### WEATHERING STEPS WITH AMMO PRODUCTS

- 1 GENERAL WASH**  
A.MIG-1008 Dark Wash
- 2 STREAMING**  
A.MIG-1303 Streaming Grime
- 3 DIRT**  
A.MIG-1258 Streamingbrusher Dust
- 4 MUD & SPLASHES**  
A.MIG-1705 (Hot Mud) / A.MIG-1754 Damp Earth
- 5 TRACKS WASH**  
A.MIG-1002 Tracks Wash
- 6 DIRT**  
A.MIG-3028 City Dark Dust
- 7 GREASE & OIL**  
A.MIG-1408 Fresh Engine Oil
- 8 FILTER**  
A.MIG-1508 Green
- 9 PAINTMARKS**  
A.MIG-1258 Streamingbrusher Dust
- 10 TRACKS WASH**  
A.MIG-1002 Tracks Wash
- 11 DIRT**  
A.MIG-3028 City Dark Dust
- 12 MUD & SPLASHES**  
A.MIG-1703 Wet Ground / A.MIG-1752 Loose Ground
- 13 GREASE & OIL**  
A.MIG-1408 Fresh Engine Oil

hobby.com.ua