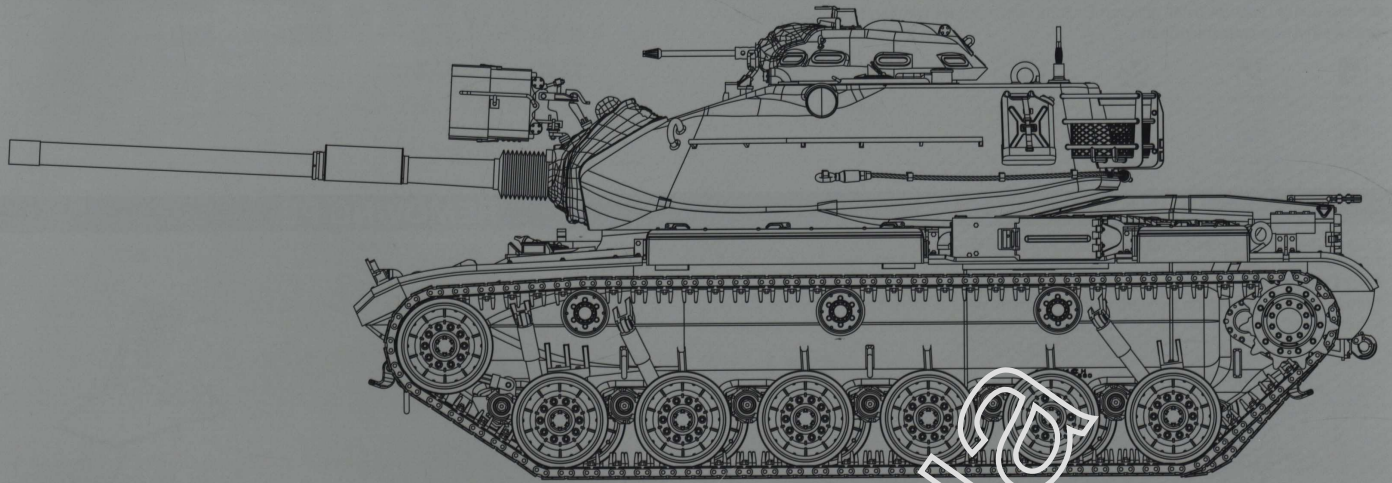


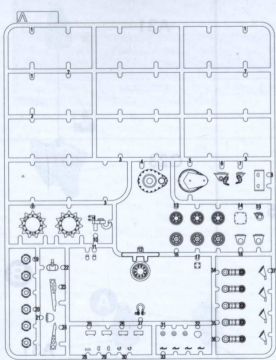
M60A1 U.S. ARMY MAIN BATTLE TANK



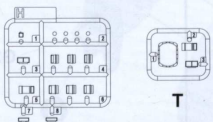
Evolving from the M48 through the M60, the M60A1 Patton tank was produced from 1962 through 1980. This newer variant featured a redesigned wedge-shaped turret with improved ballistic protection and a new mounting for the 105mm M68 main gun (modified from the excellent British L7 with a vertical sliding breech block), which could fire HE, Frag, AP, and HEAT rounds. Additional armament consisted of a coaxially mounted 7.62 mm M73 machine gun and a 12.7 mm M85 machine gun mounted in the commander's cupola. Further improvements consisted of increased armor thickness on the glacis and hull sides, as well as the installation of shock absorbers at the first two and last two road wheel stations. Powered by the improved 643 hp Continental AVDS-1790-2A V-12 twin turbo diesel engine coupled to the Allison CD-850-6A powershift cross-drive transmission, the tank weighed 58 tons and was served by a crew of four -- commander, gunner, loader, and driver. This vehicle became the main battle tank fielded by the US Armed forces through the 1960's into the early 1970's, and was also exported to serve in the armed forces of Argentina, Austria, Ethiopia, Italy, Jordan, Iran, Israel, Morocco, Sudan and Turkey.

03.02.2132

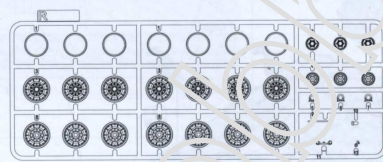
PARTS



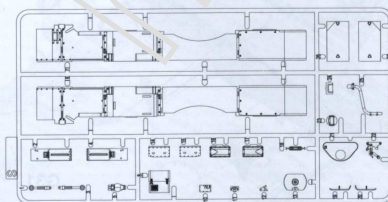
X2



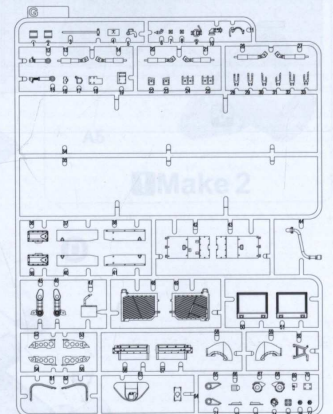
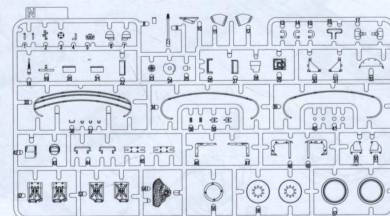
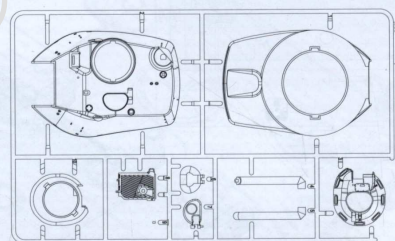
T



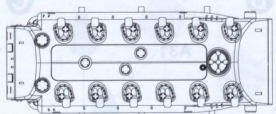
X2



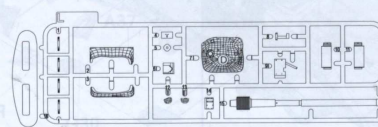
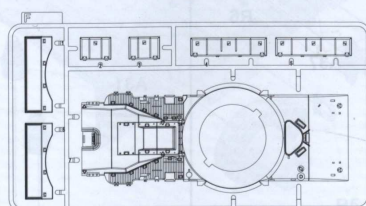
CH



Cable



Lower Hull



X2

Steel Pins

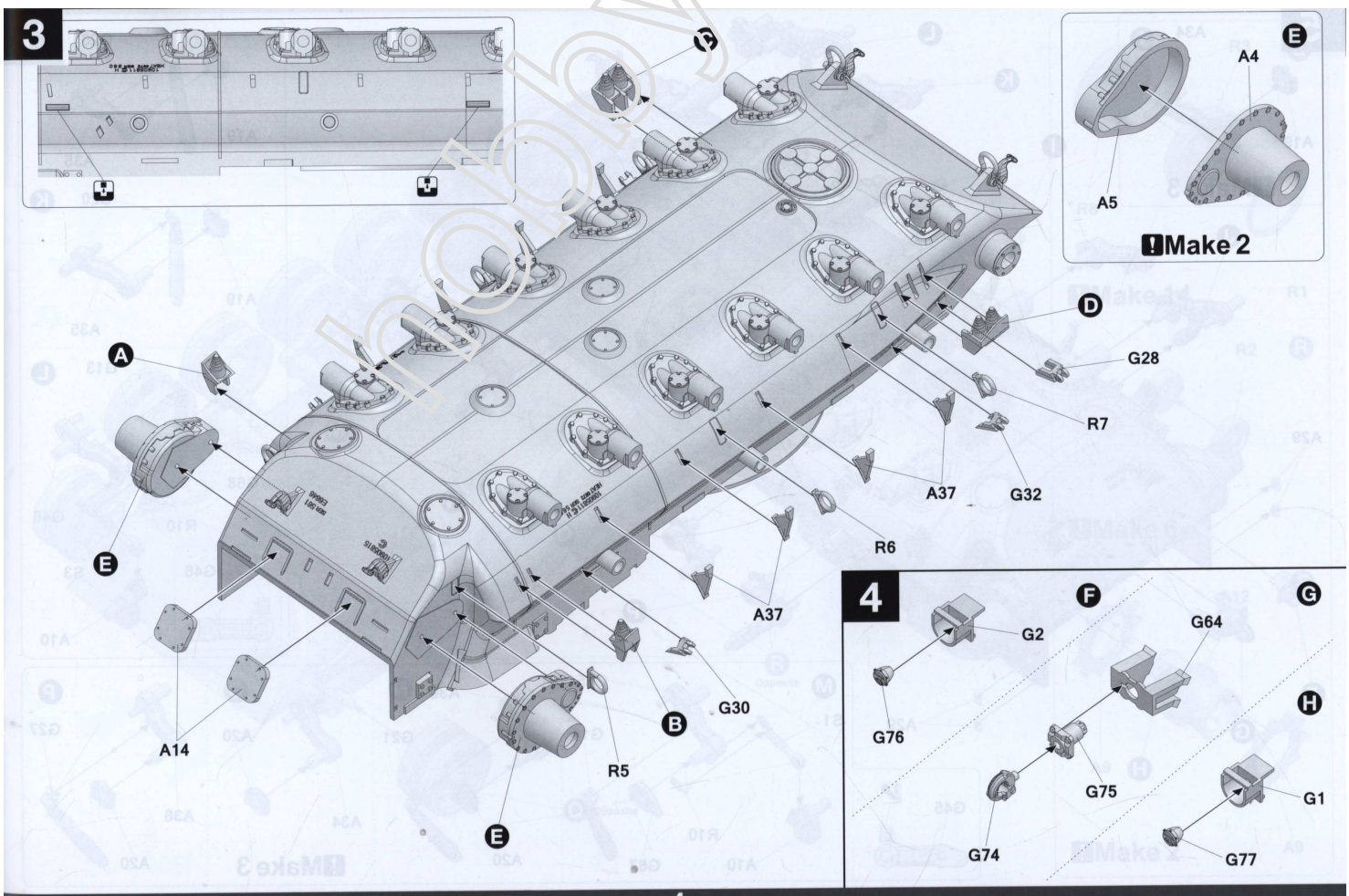
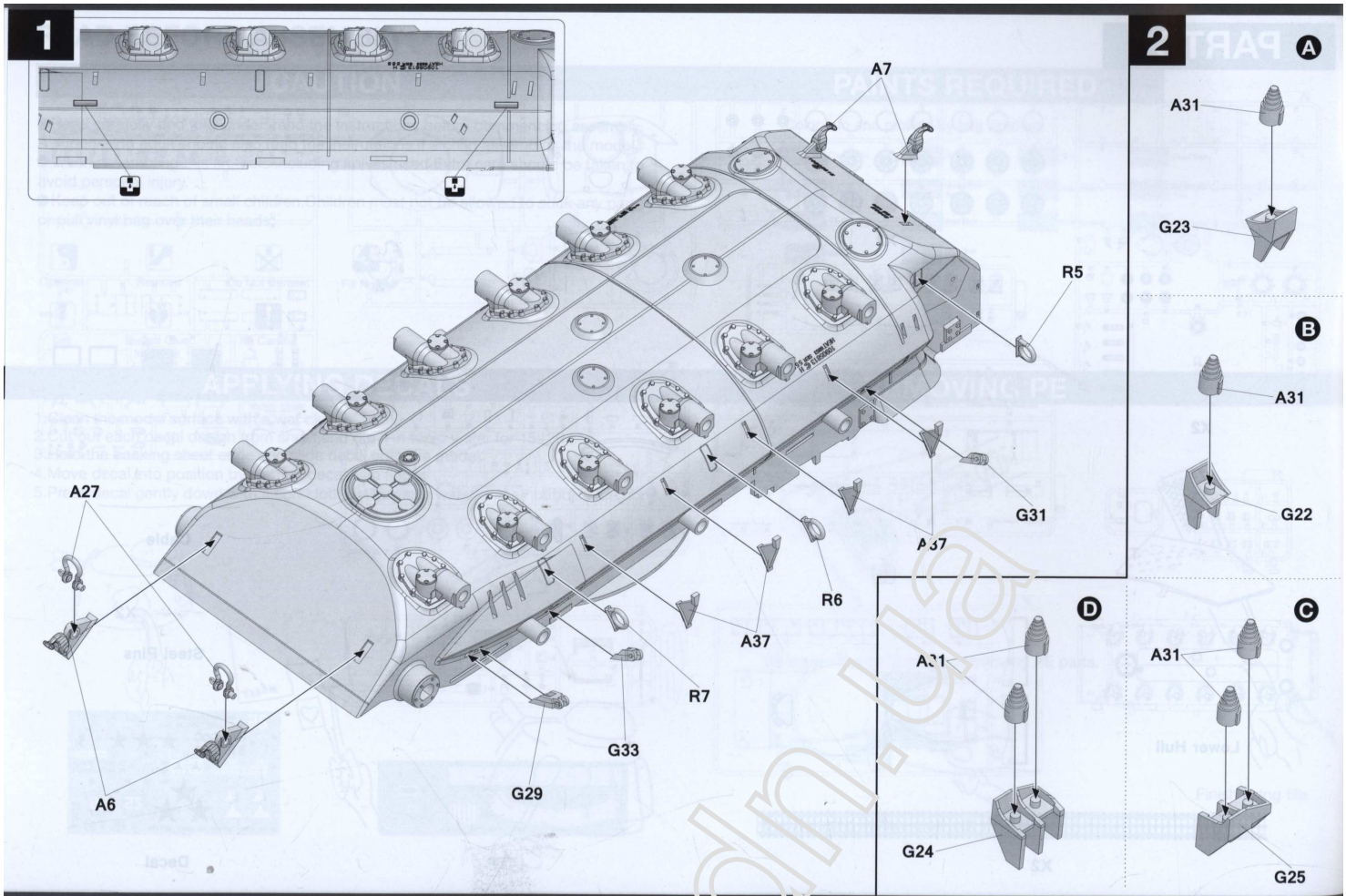


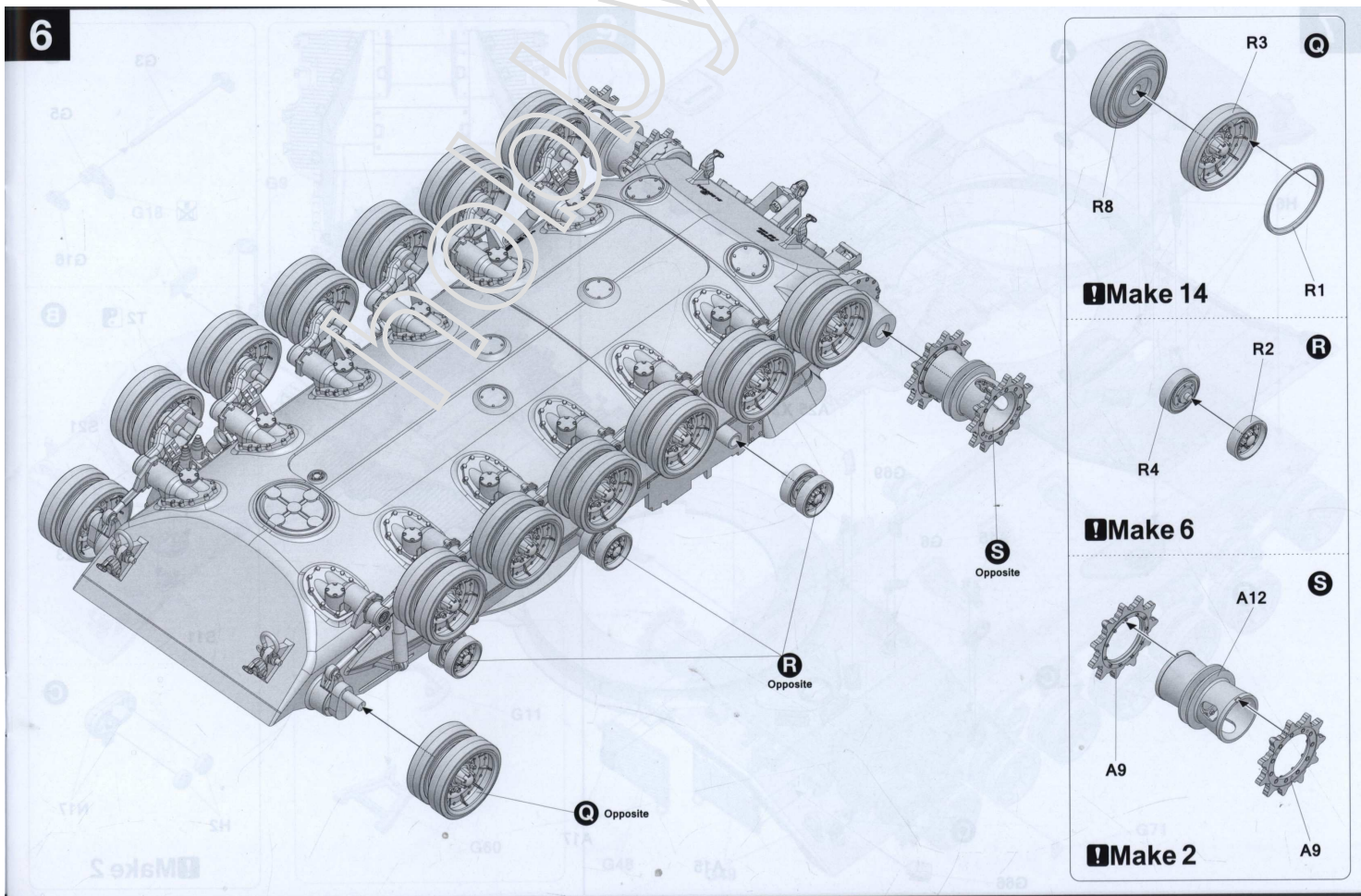
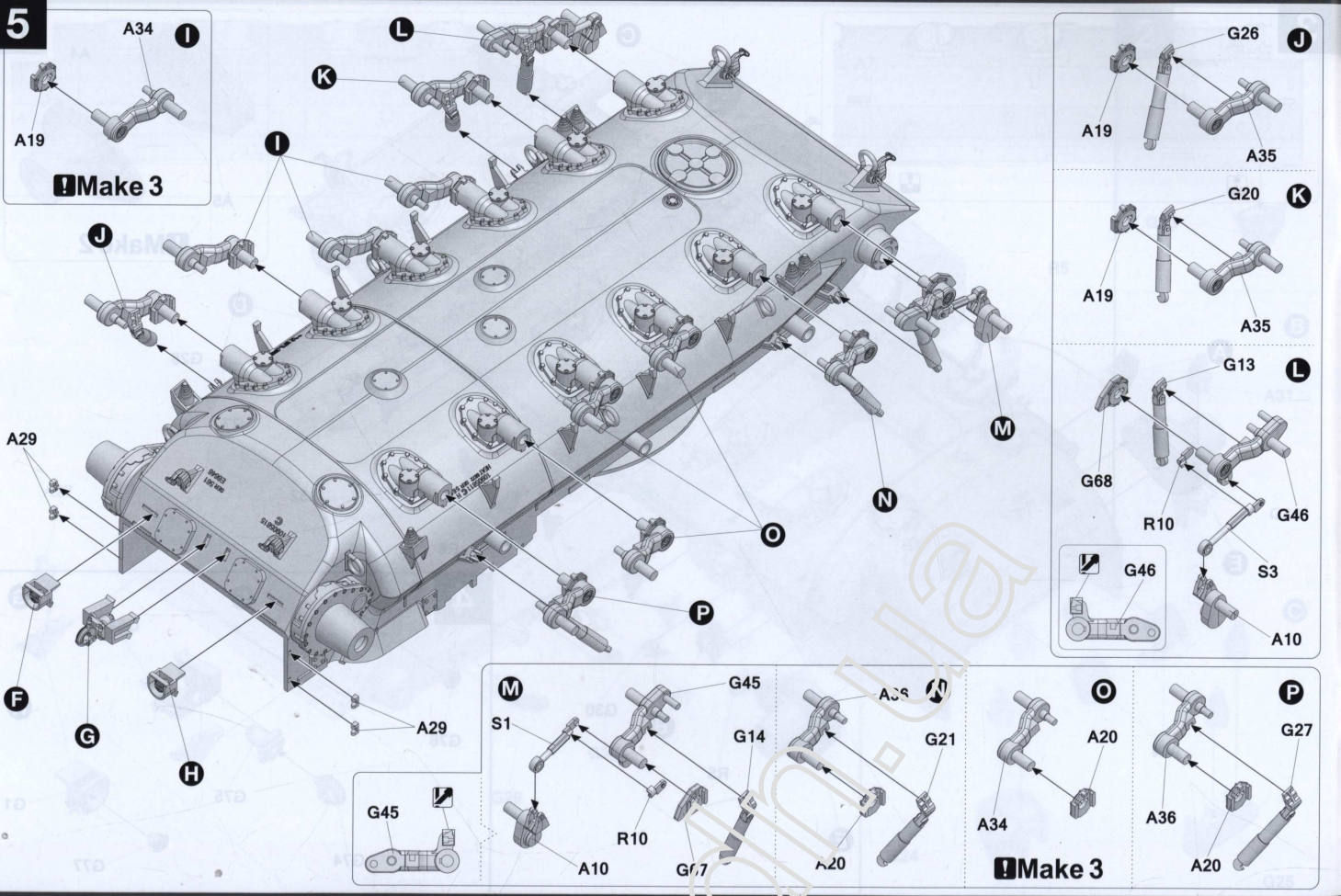
TP



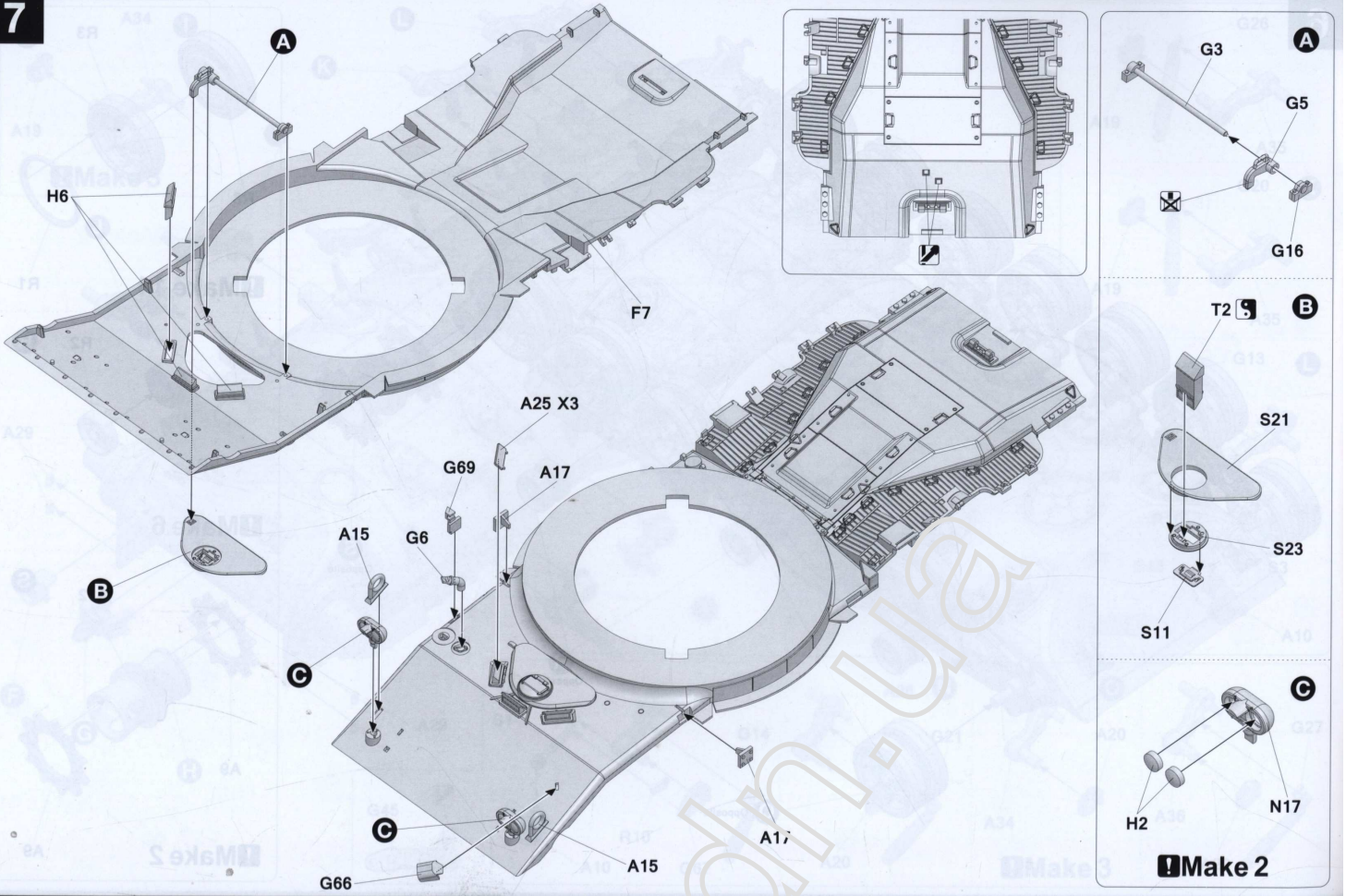
Decal

X2

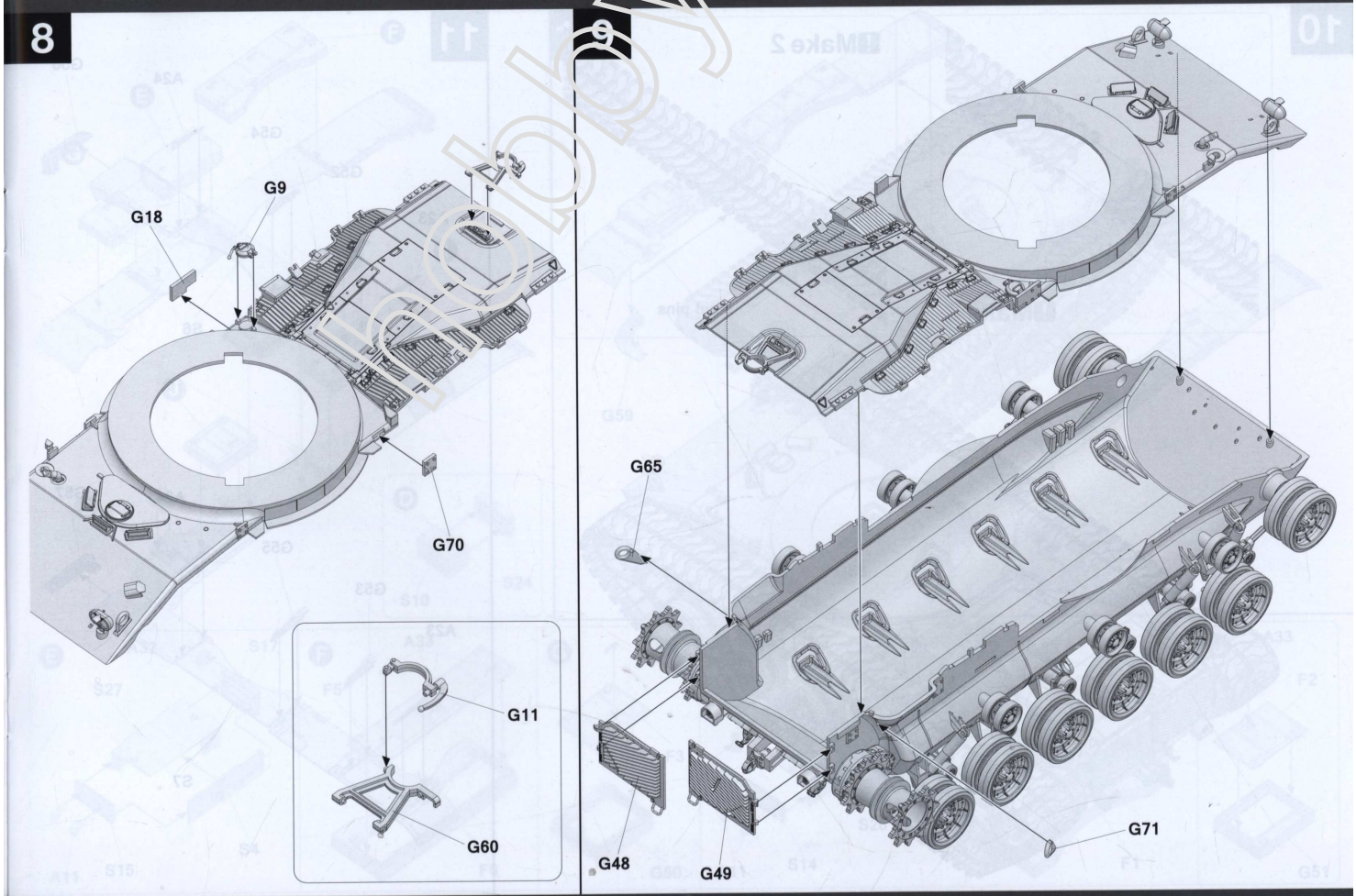




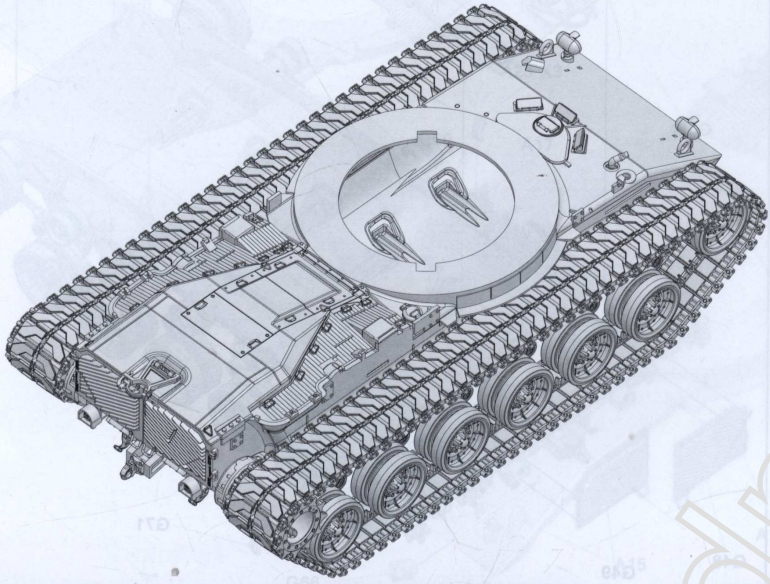
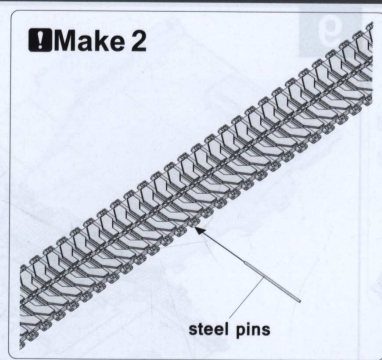
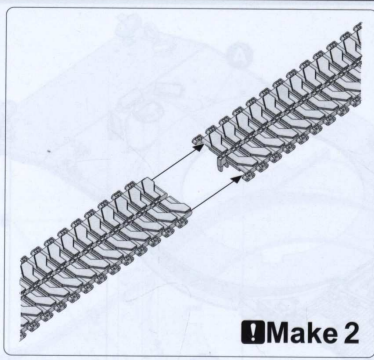
7



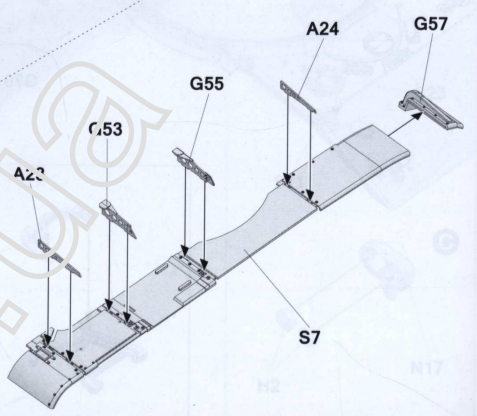
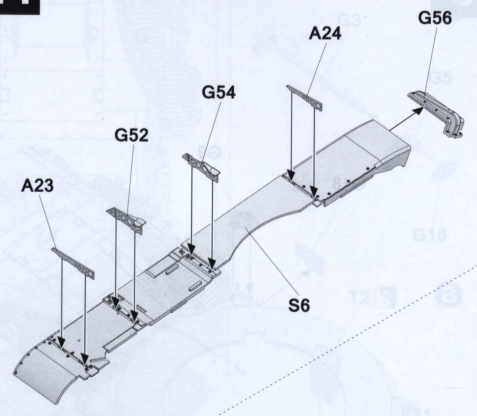
8



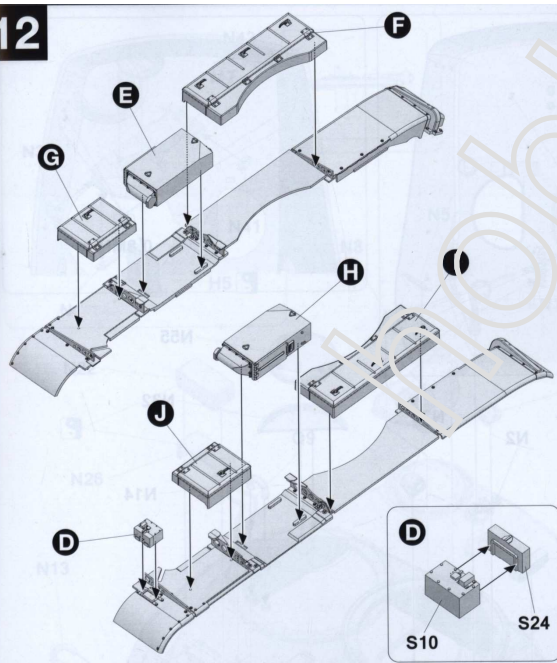
10



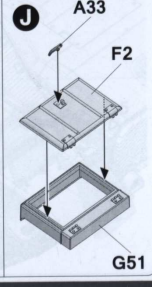
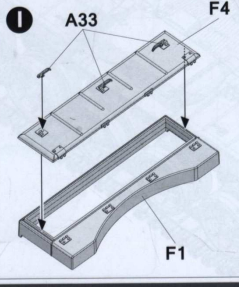
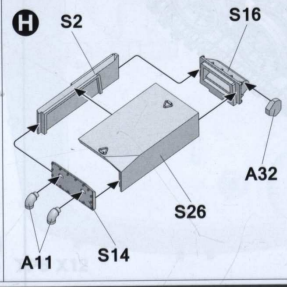
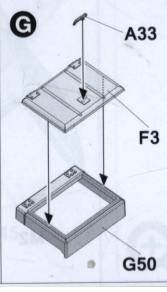
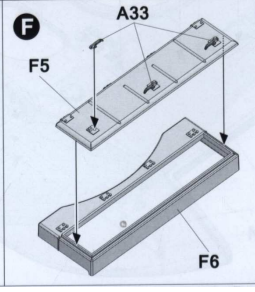
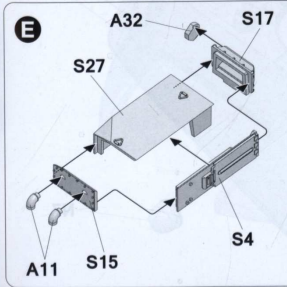
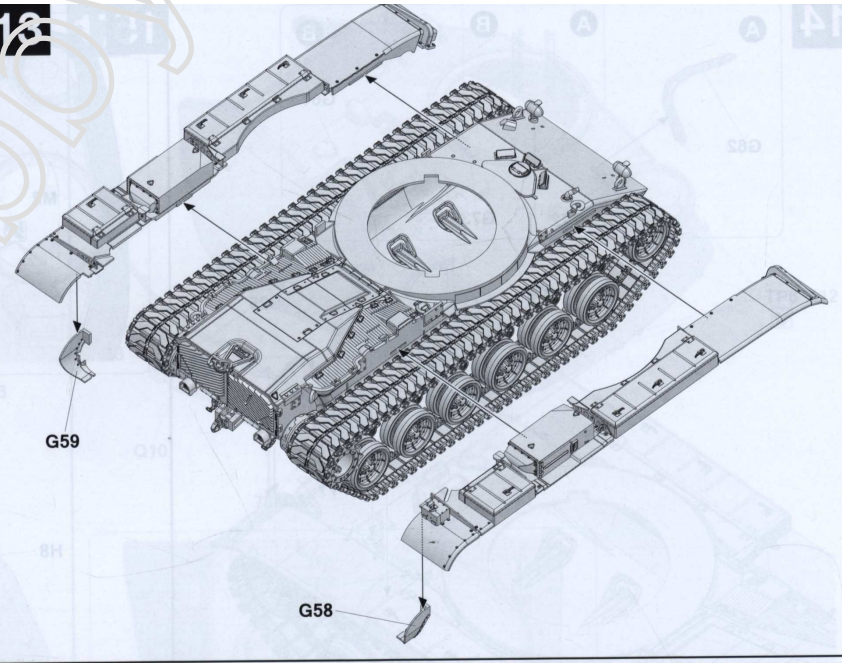
11



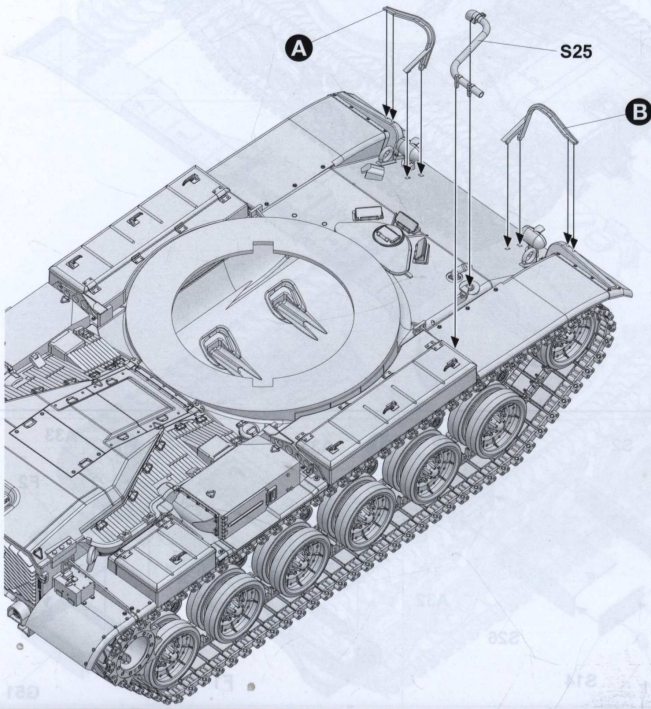
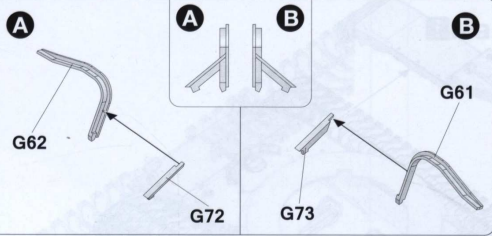
12



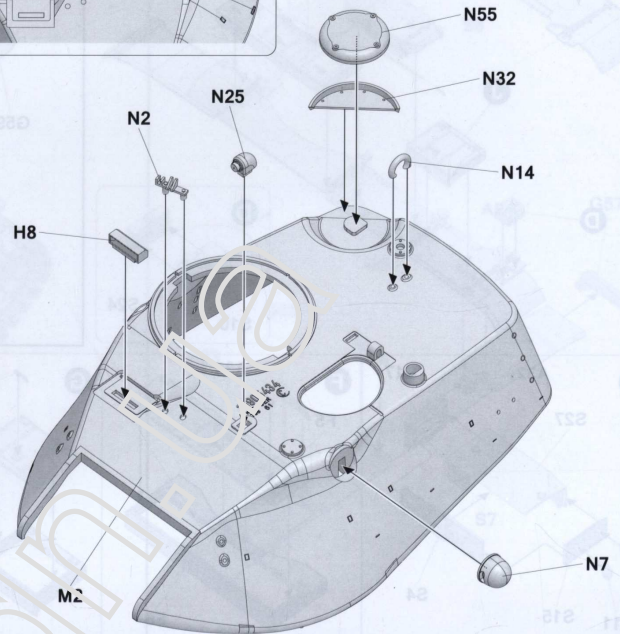
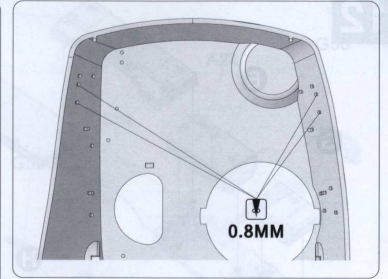
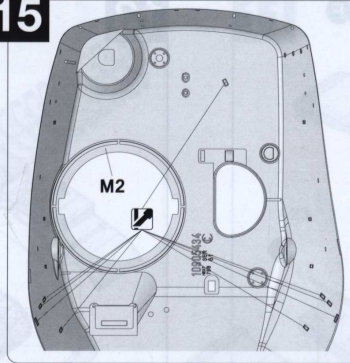
13



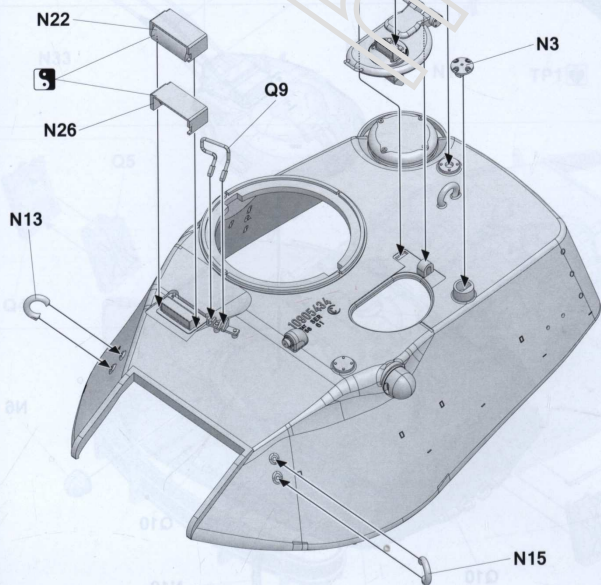
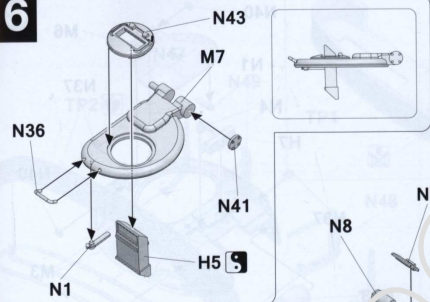
14



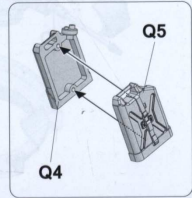
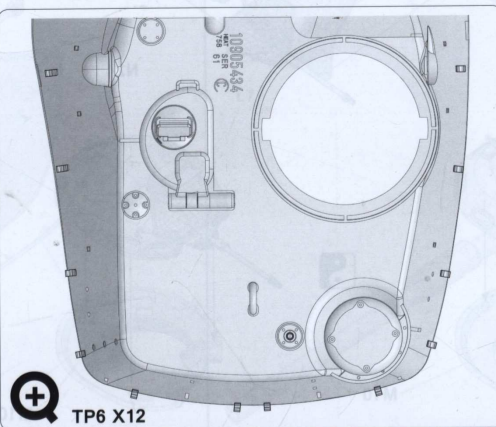
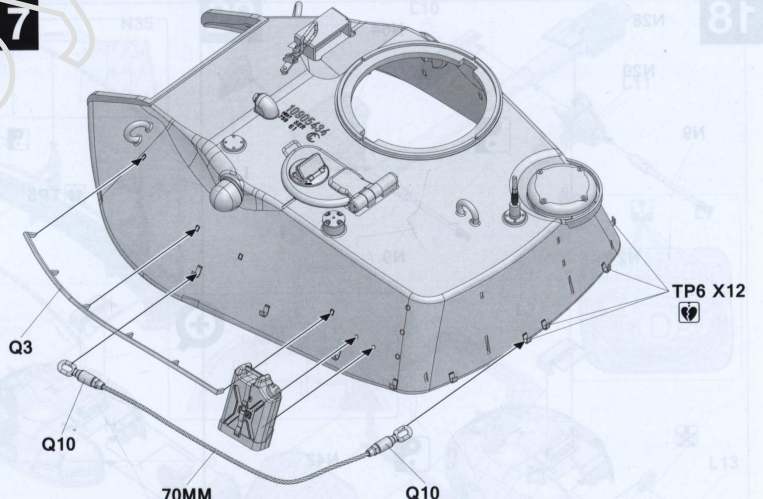
15



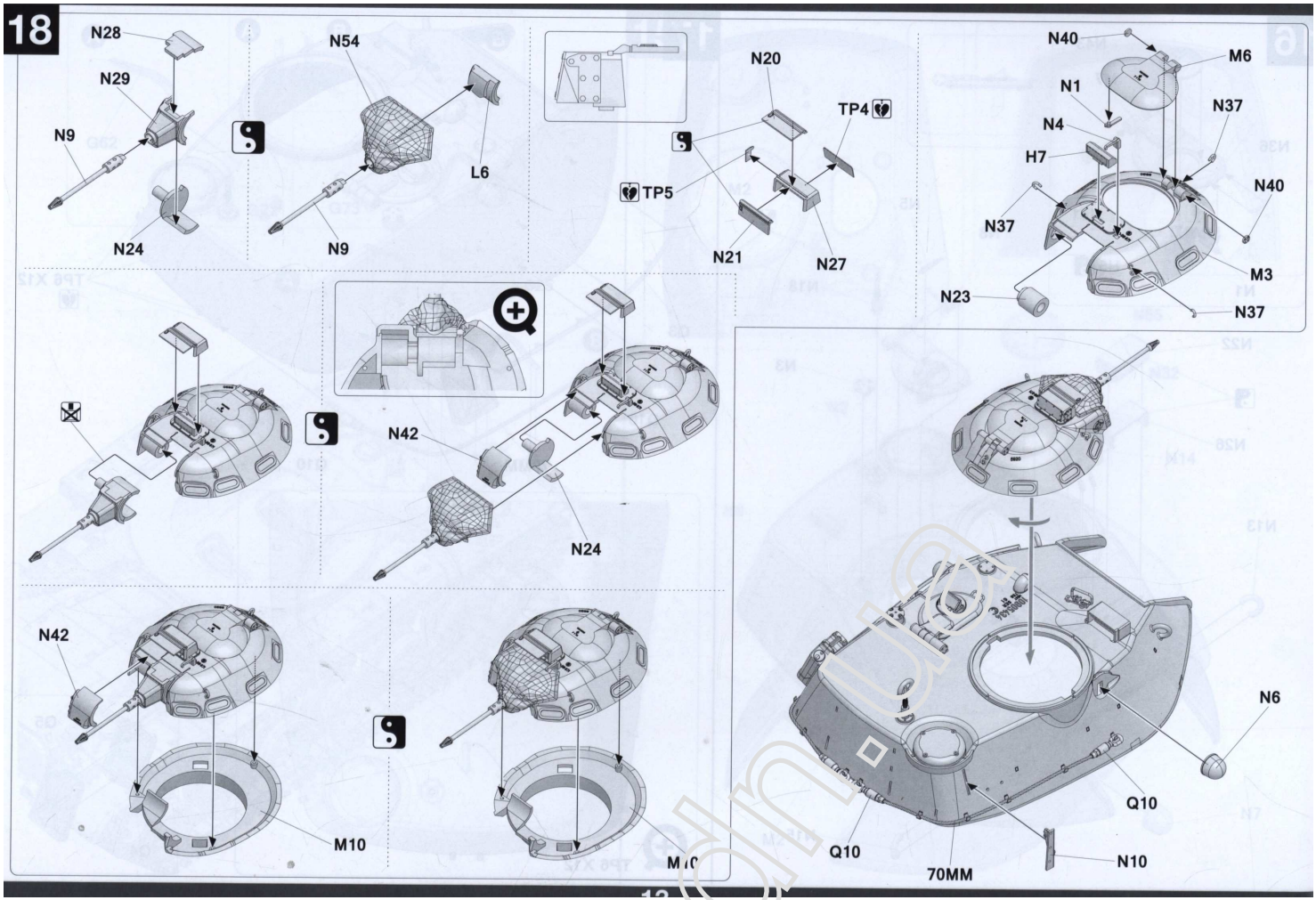
16



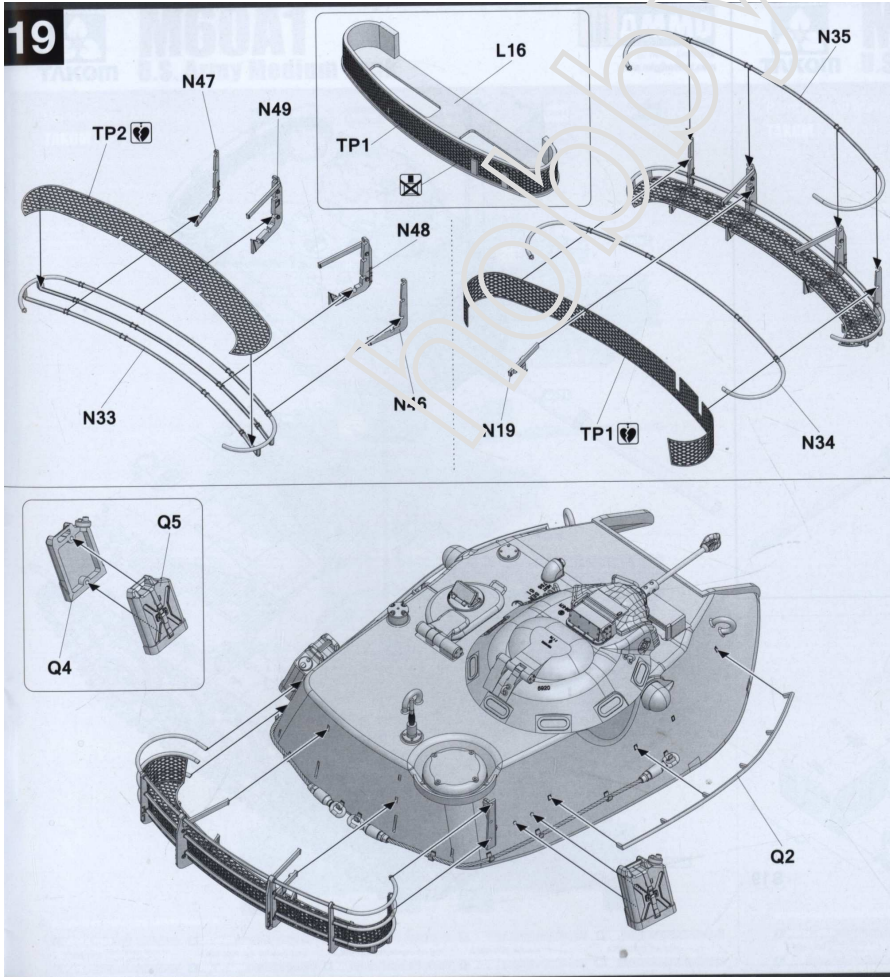
17



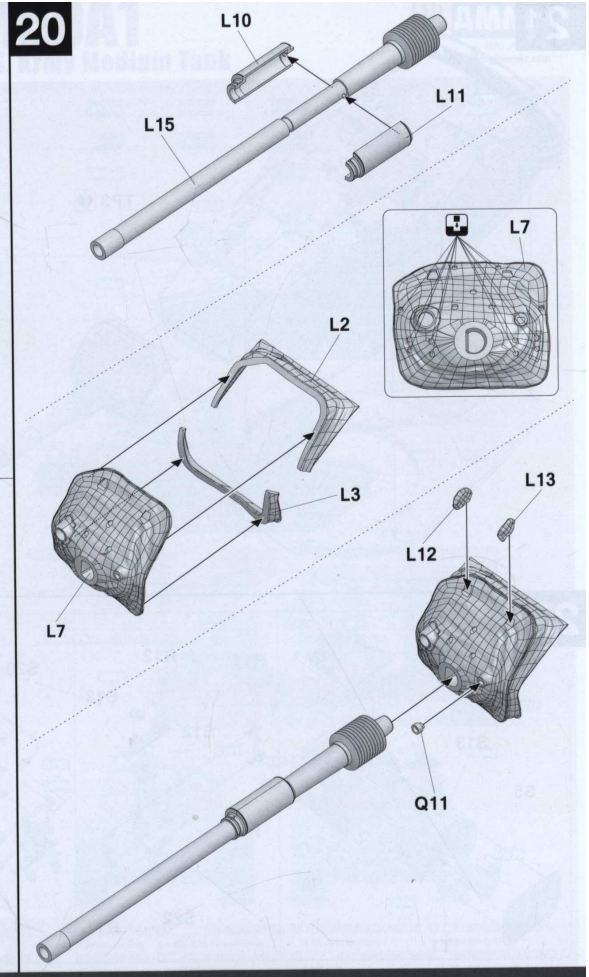
18

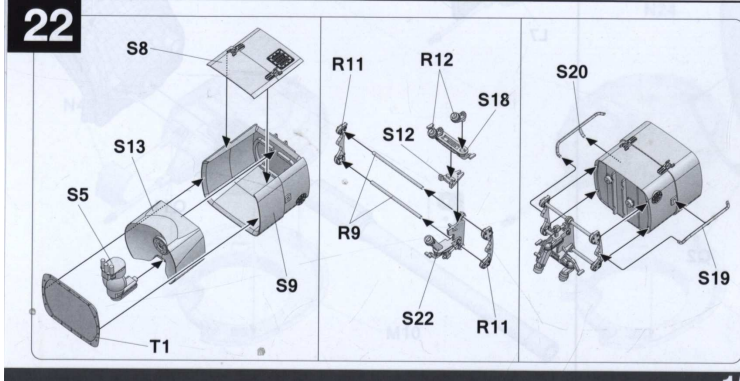
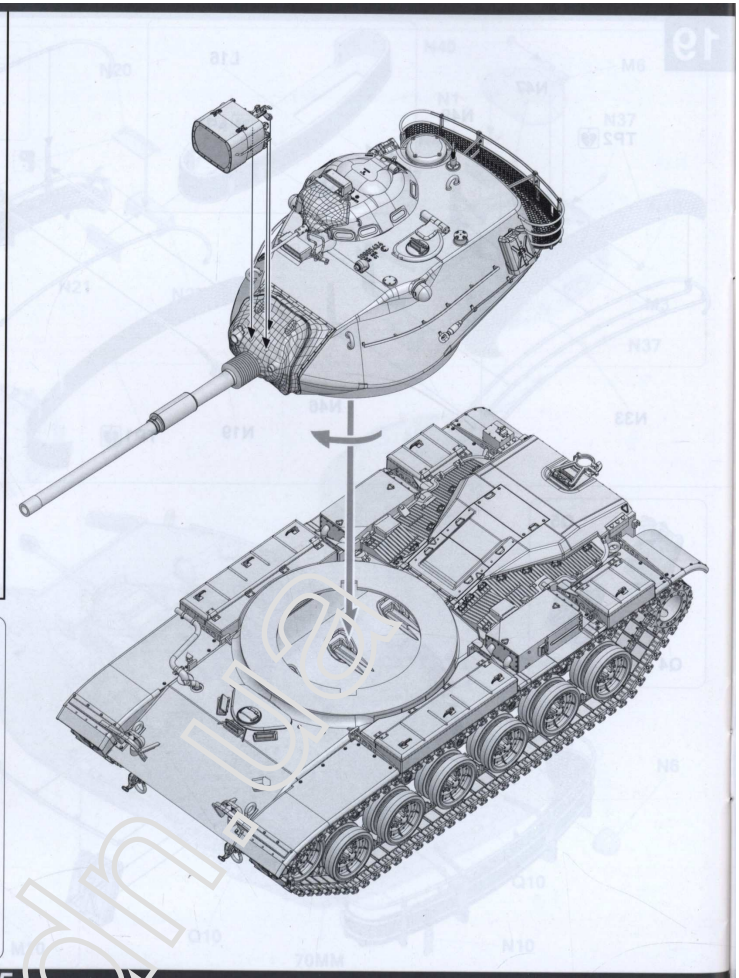
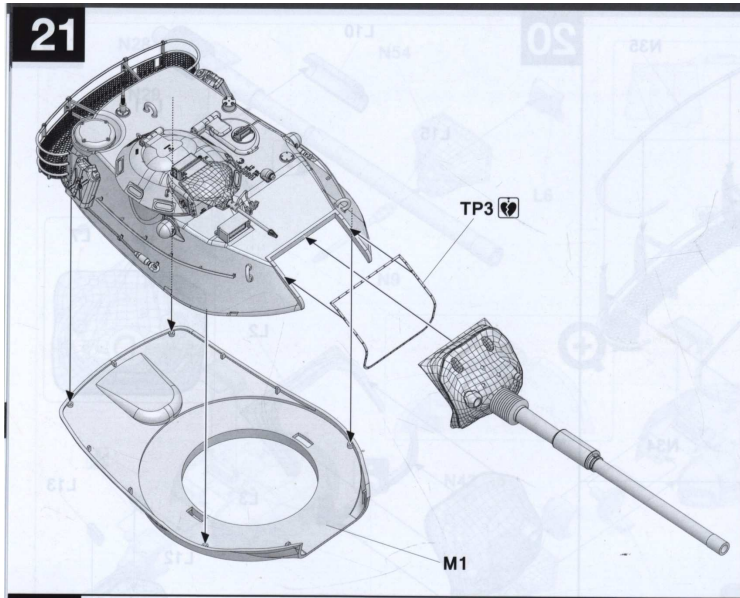


19



20





Painting and Marking Guide

TAKOM Ref: 2132
M60A1 U.S. Army Medium Tank

U.S. Army, 1st Battalion, 72nd Armored Regiment, 2nd Infantry Division, Republic of Korea, December, 1971

WEATHERING STEPS WITH AMMO PRODUCTS

| | | | | |
|---|--|--|-------------------------------------|---------------------------------------|
| 1 GENERAL WASH A.MIG-1006 Dark Brown Wash for Green Vehicles | 3 STREAKING A.MIG-1206 Dark Streaking Grime | 5 BARNMARKS A.MIG-1258 Streaking/Grime Dust | 7 MUD A.MIG-1705 Wet Mud | 9 FUEL A.MIG-1409 Fuel Stains |
| 2 FILTER A.MIG-1587 Tan for Yellow Green | 4 TRACKS WASH A.MIG-1002 Tracks Wash | 6 DUST A.MIG-3011 Airfield Dust | 8 SPLASHES A.MIG-1754 Damp Earth | 10 OIL A.MIG-1408 Fresh Engine Oil |

Painting and Marking Guide

TAKOM Ref: 2132
M60A1 U.S. Army Medium Tank

U.S. Army, A Company, 3rd Battalion, 64th Armored Regiment, 3rd Armored Division, Schweinfurt, Federal Republic of Germany, Summer, 1976

WEATHERING STEPS WITH AMMO PRODUCTS

| | | | | |
|---|---|---|---------------------------------------|---------------------------------------|
| 1 GENERAL WASH A.MIG-1006 Brown Wash for Dark Yellow | 3 STREAKING A.MIG-1253 Streaking/Grime | 5 BARNMARKS A.MIG-1208 Rainmarks Effects | 7 MUD A.MIG-1702 Moist Ground | 9 FUEL A.MIG-1409 Fuel Stains |
| 2 FILTER A.MIG-1510 Tan for 3 Tone Camo | 4 TRACKS WASH A.MIG-1002 Tracks Wash | 6 DUST A.MIG-3012 Sand | 8 SPLASHES A.MIG-1752 Loose Ground | 10 OIL A.MIG-1408 Fresh Engine Oil |

Painting and Marking Guide

TAKOM Ref: 2132

M60A1 U.S. Army Medium Tank

U.S. Army, D Company, 1st Squadron,
11th Armored Cavalry Regiment, Fulda,
Federal Republic of Germany,
Summer 1976

| | | | | |
|---------------------------|-------------------------------|------------------------|---------------------------|----------------------------|
| A.MIG-0135 Dark Tracks | A.MIG-0041 Dark Rust | A.MIG-0132 Sable Black | A.MIG-0195 Silver | A.MIG-0094 Crystal Glass |
| A.MIG-0095 Crystal Scales | A.MIG-0099 Crystal Black Blue | A.MIG-0056 Green Khaki | A.MIG-0033 Rubber & Tires | A.MIG-0081 U.S. Olive Drab |
| A.MIG-0064 Earth Brown | A.MIG-0057 Yellow Clay | A.MIG-0048 Matt Black | | |



WEATHERING STEPS WITH AMMO PRODUCTS

| | | | | |
|--|---|--|---|--|
| 1 GENERAL WASH A.MIG-1009 Brown Wash for Dark Yellow | 3 STREAKING A.MIG-1283 Streaky Grease | 5 RAINMARKS A.MIG-1258 Streakingbrusher Dust | 7 MUD A.MIG-1702 Turned Earth | 9 FUEL A.MIG-1409 Fuel Stains |
| 2 FILTER A.MIG-1510 Tan for 3 Tone Camo | 4 TRACKS WASH A.MIG-1002 Tracks Wash | 6 DUST A.MIG-3013 Rubble | 8 SPLASHES A.MIG-1751 Dry Steps | 10 OIL A.MIG-1408 Fresh Engine Oil |

Painting and Marking Guide

TAKOM Ref: 2132

M60A1 U.S. Army Medium Tank

Iranian Army, 231st Tank Battalion,
1st Armored Brigade,
92nd Armored Division,
Battle of Khoramshahr,
September 1980

| | | | | |
|---------------------------|-------------------------------|------------------------|---------------------------|----------------------------|
| A.MIG-0035 Dark Tracks | A.MIG-0041 Dark Rust | A.MIG-0032 Sable Black | A.MIG-0195 Silver | A.MIG-0094 Crystal Glass |
| A.MIG-0095 Crystal Scales | A.MIG-0099 Crystal Black Blue | A.MIG-0056 Green Khaki | A.MIG-0033 Rubber & Tires | A.MIG-0081 U.S. Olive Drab |
| A.MIG-0064 Earth Brown | A.MIG-0057 Yellow Clay | A.MIG-0048 Matt Black | | |



WEATHERING STEPS WITH AMMO PRODUCTS

| | | | | |
|--|---|--|---|--|
| 1 GENERAL WASH A.MIG-1009 Brown Wash for Dark Yellow | 3 STREAKING A.MIG-1283 Streaky Grease | 5 RAINMARKS A.MIG-1208 Rainner's Effects | 7 MUD A.MIG-1701 Thick Soil | 9 FUEL A.MIG-1409 Fuel Stains |
| 2 FILTER A.MIG-1510 Tan for 3 Tone Camo | 4 TRACKS WASH A.MIG-1002 Tracks Wash | 6 DUST A.MIG-3018 Middle East Dust | 8 SPLASHES A.MIG-1750 Dry Earth | 10 OIL A.MIG-1408 Fresh Engine Oil |

hobbyonline.com