

FV 432 MK.2/1 CHIEFTAIN MK.5

1+1



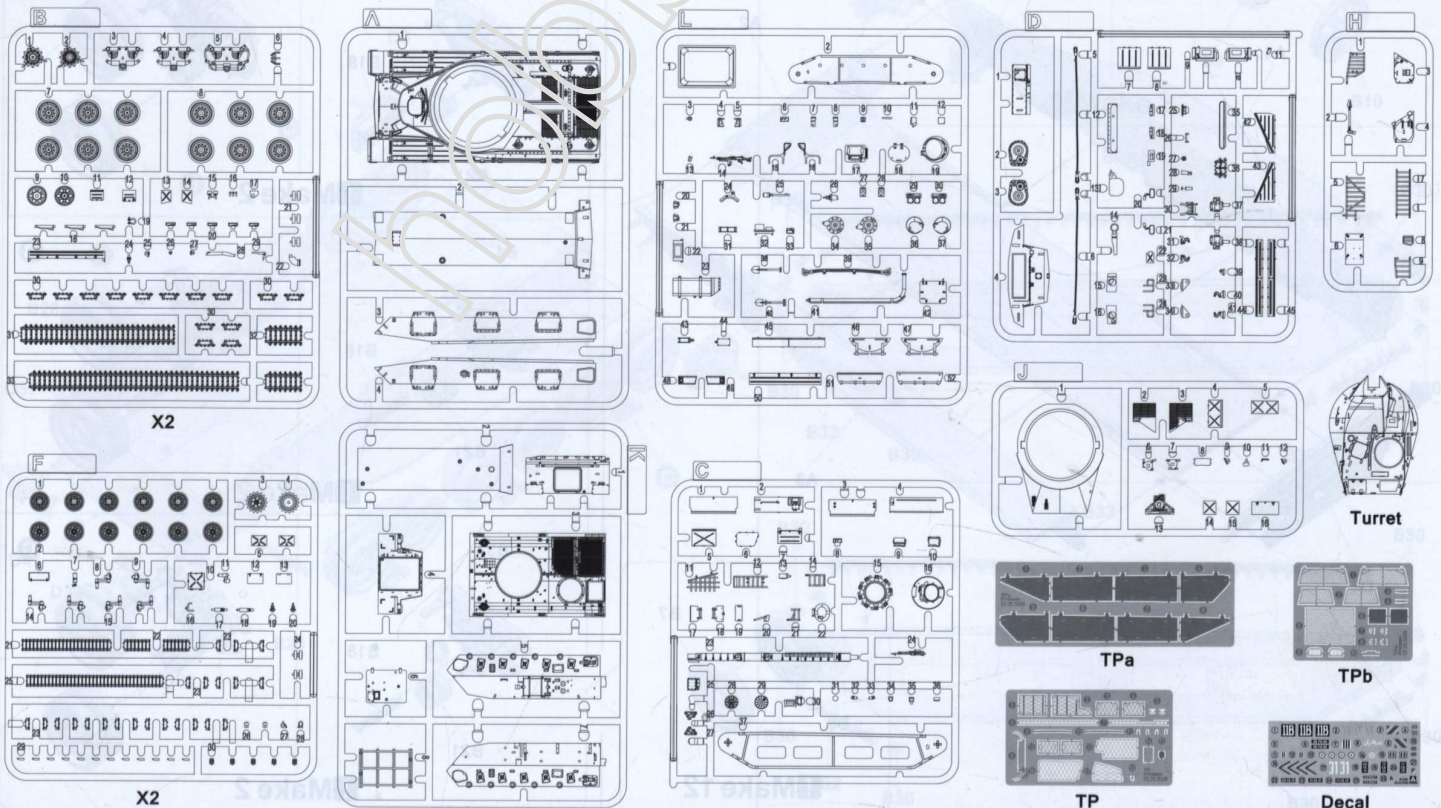
1/72
No. 5008

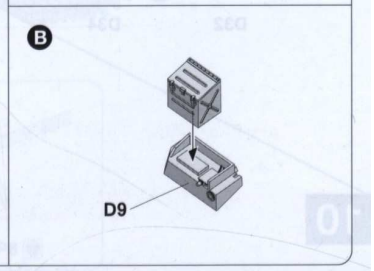
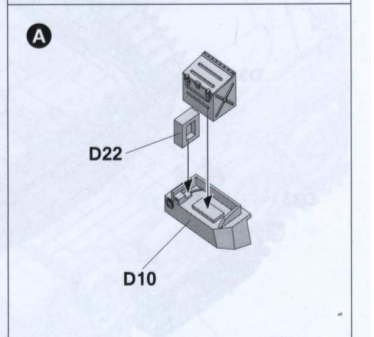
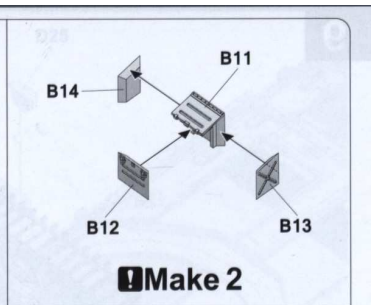
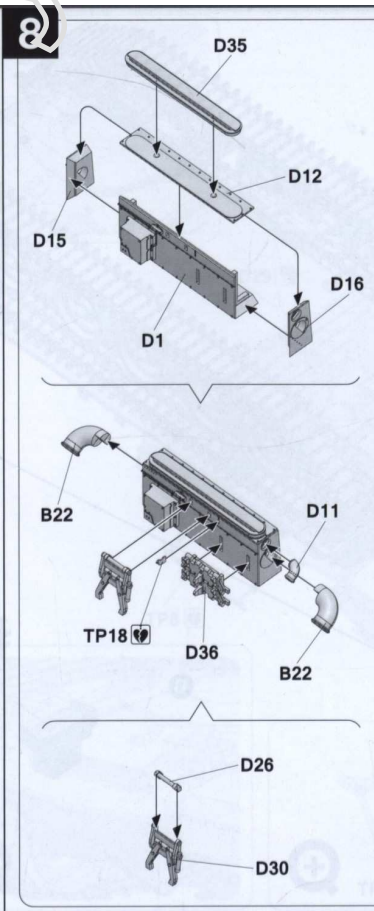
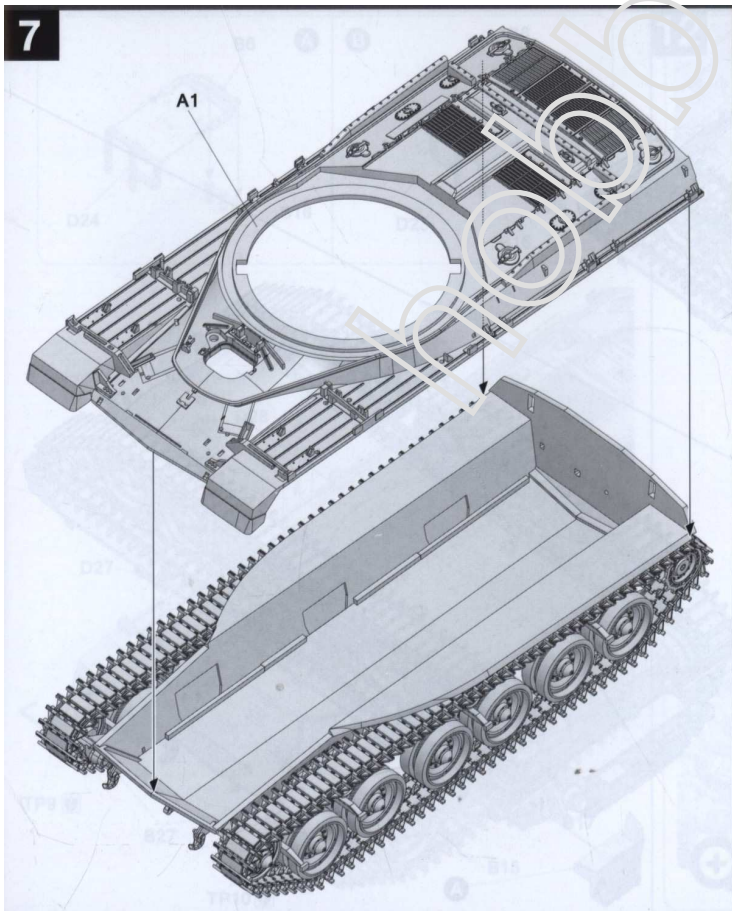
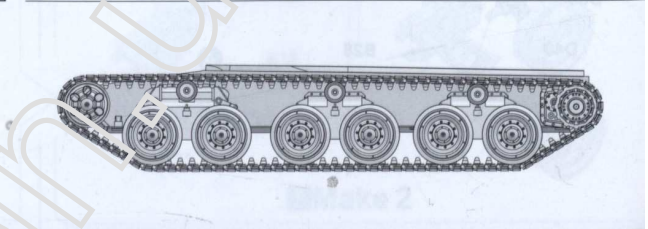
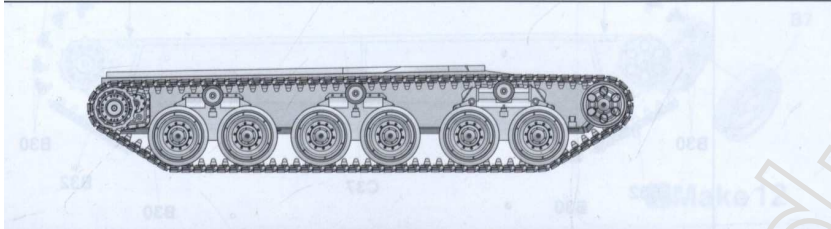
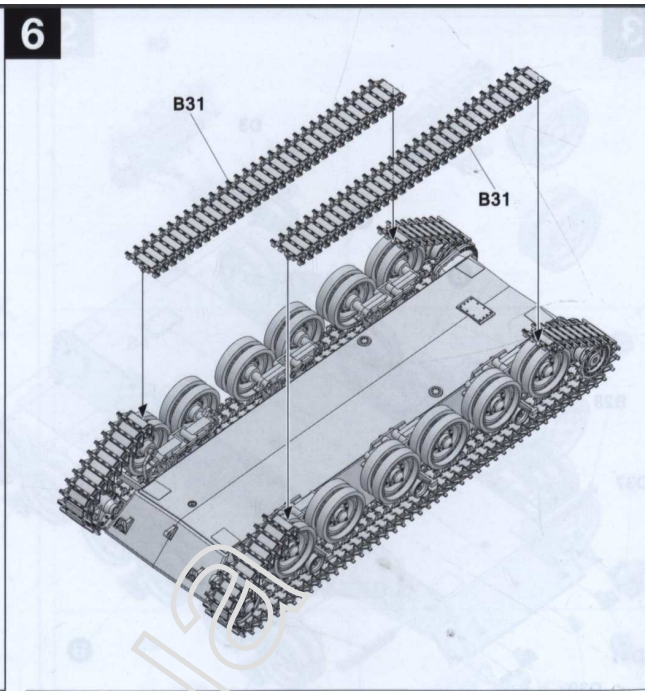
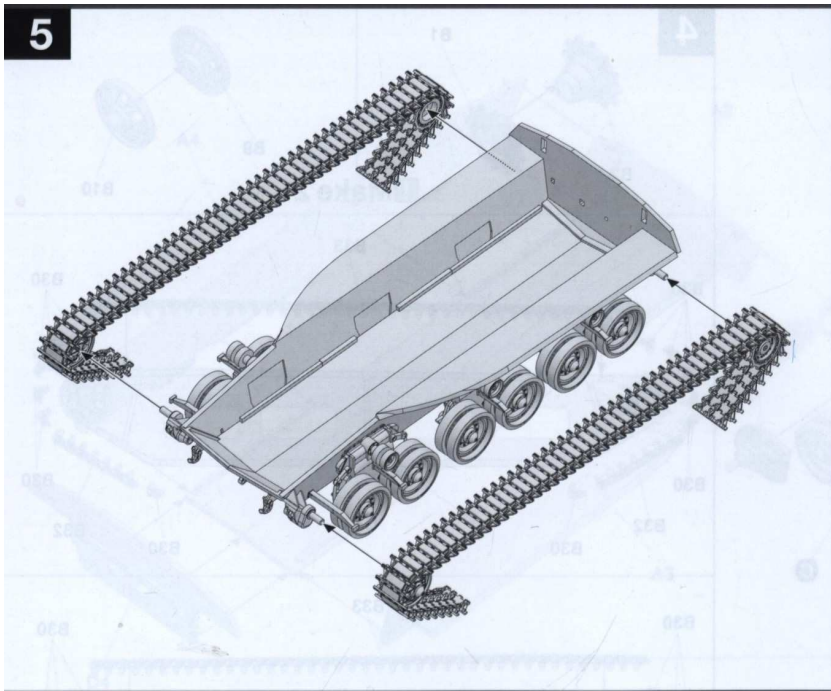
JASON 2020

03.02.5008

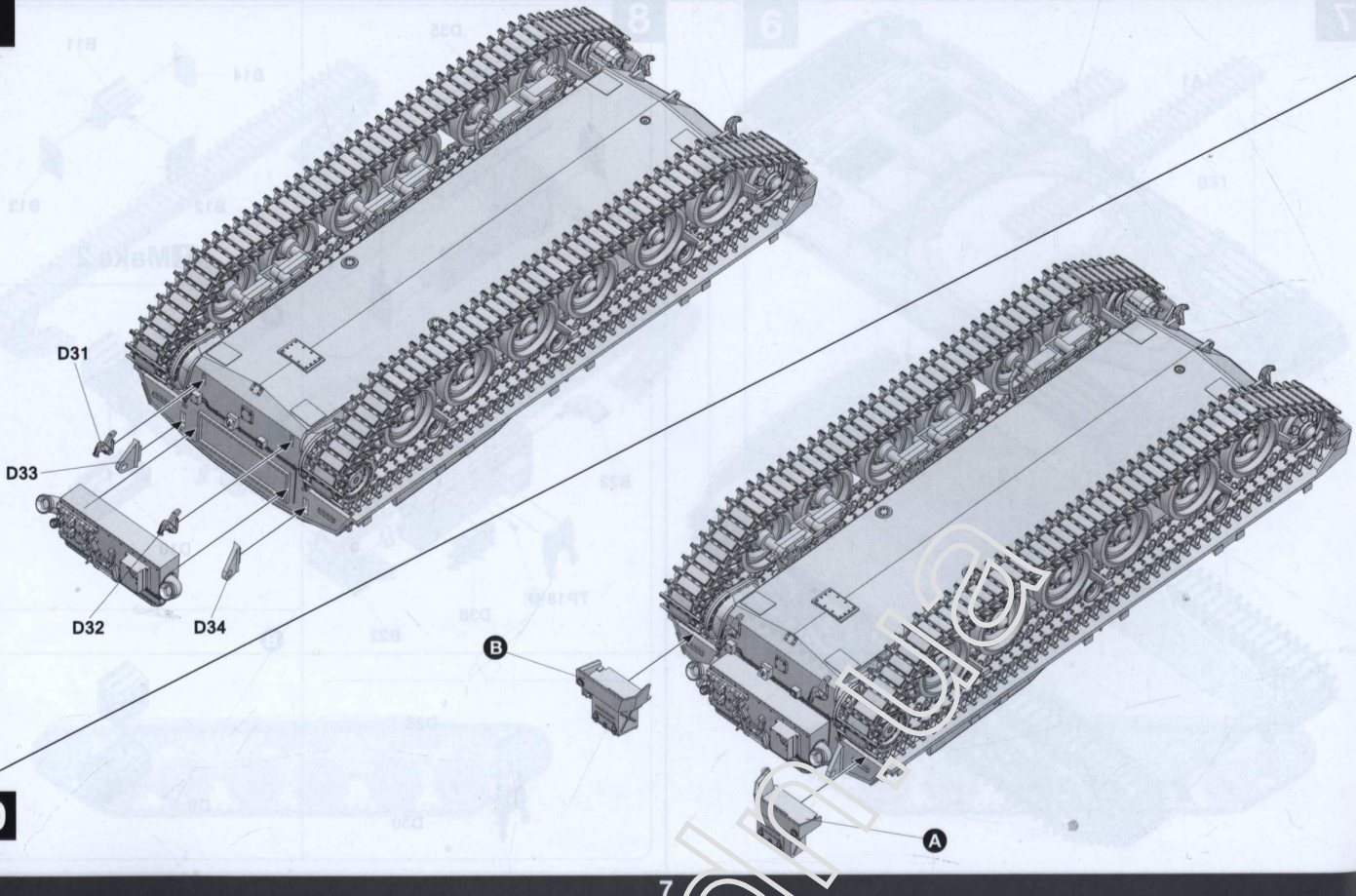


PARTS





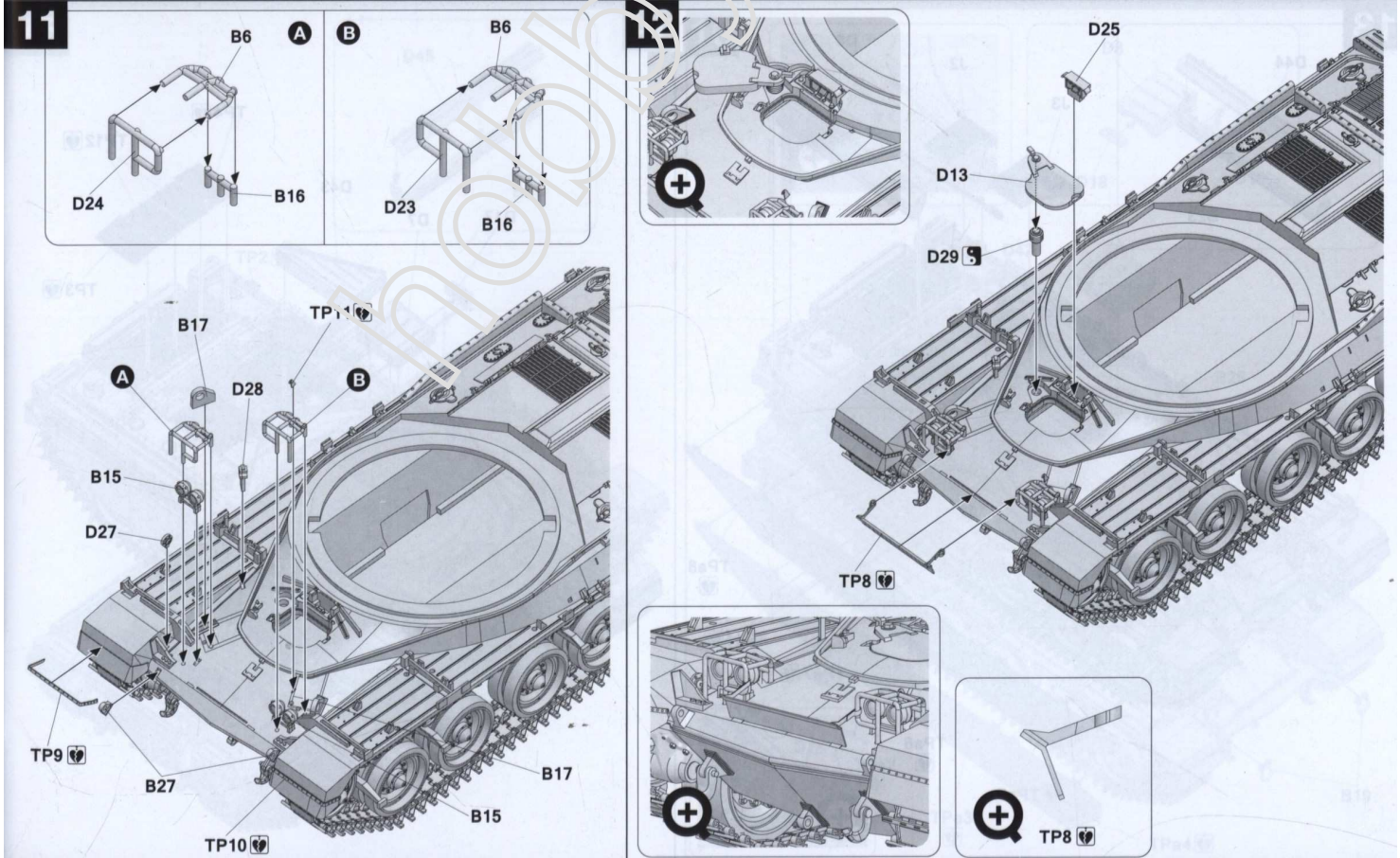
9



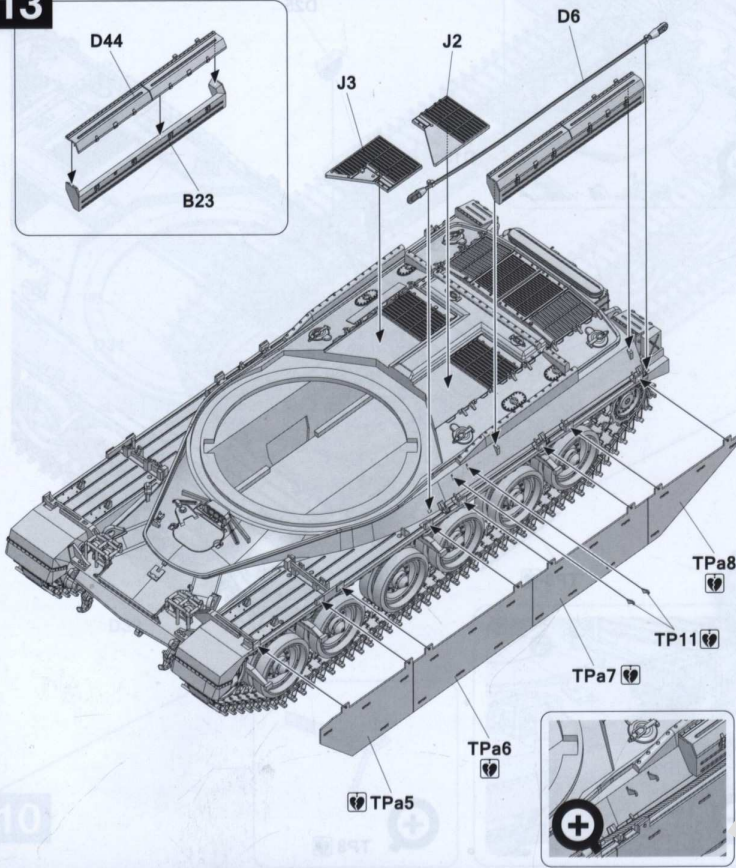
10



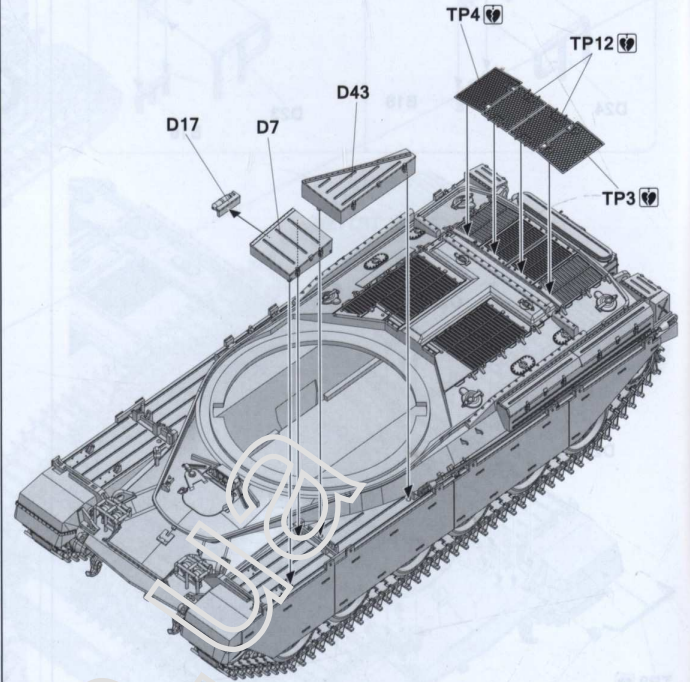
11



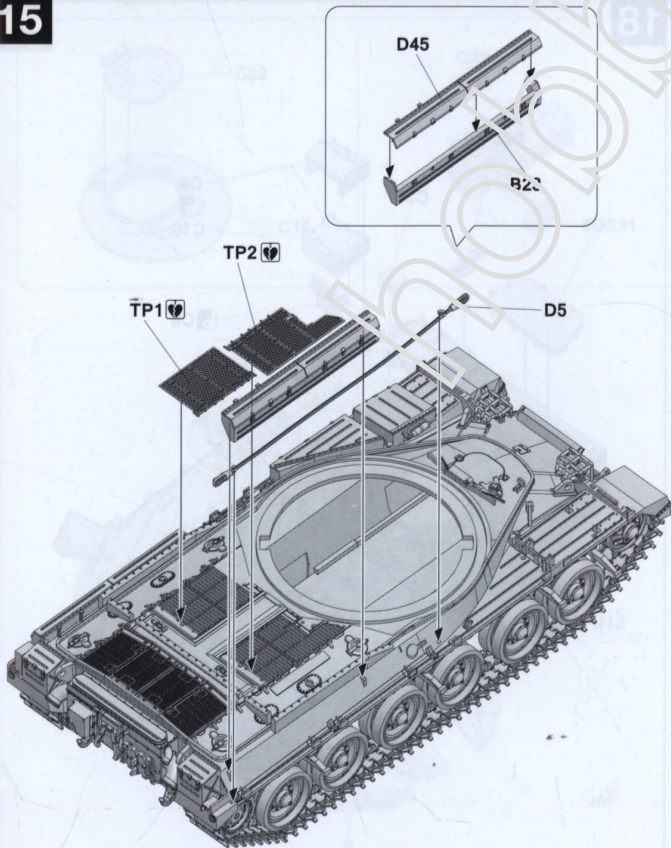
13



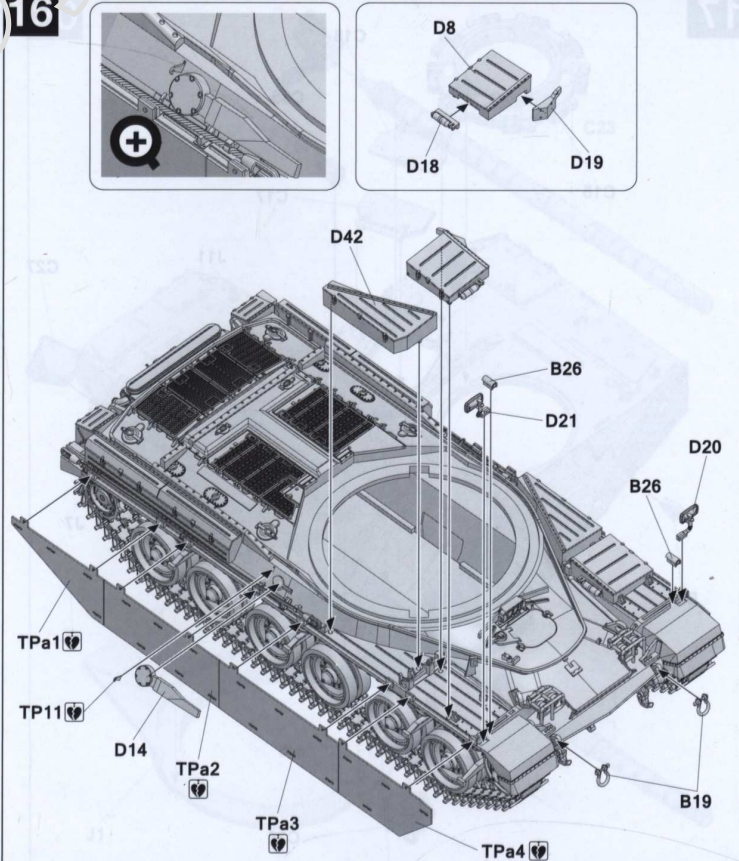
14



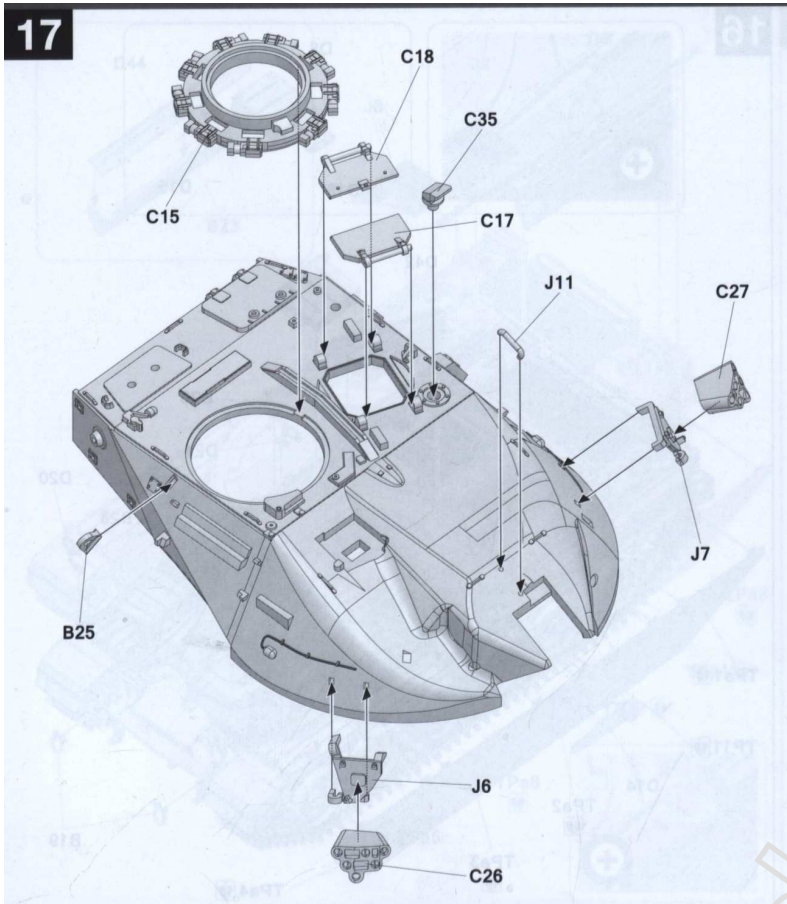
15



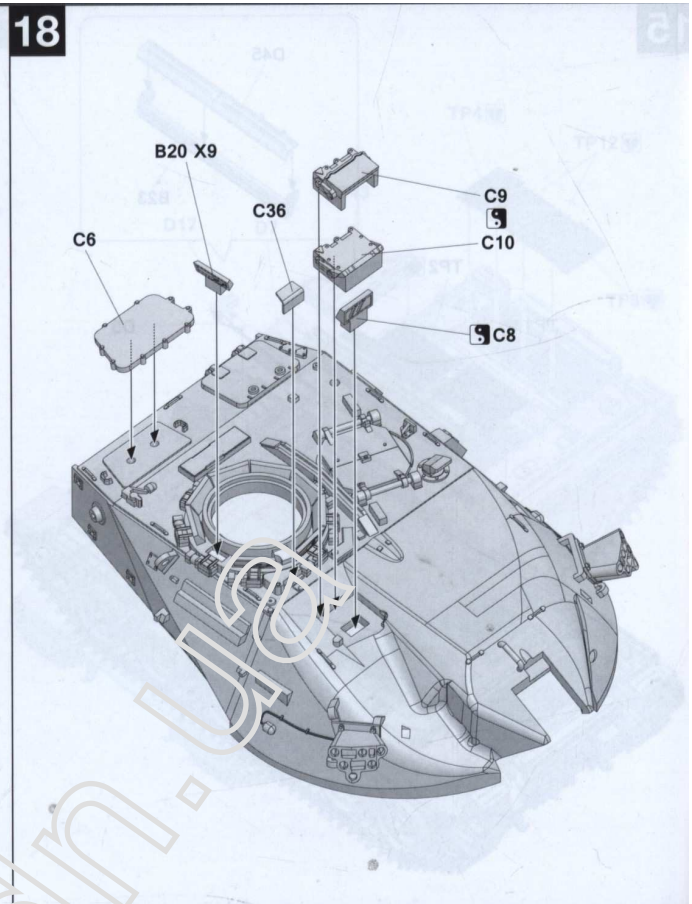
16



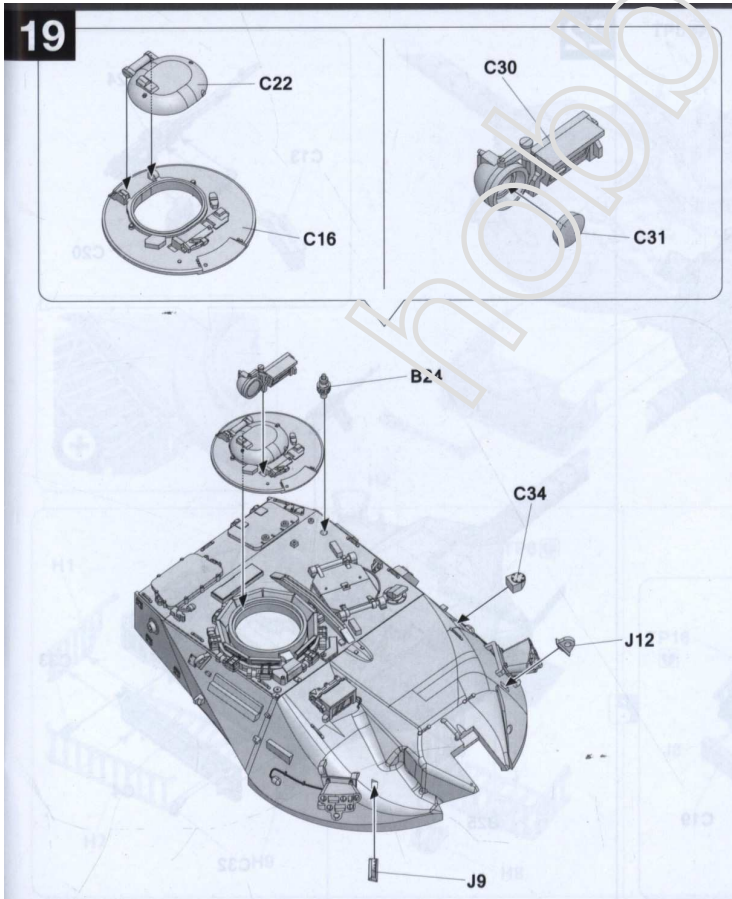
17



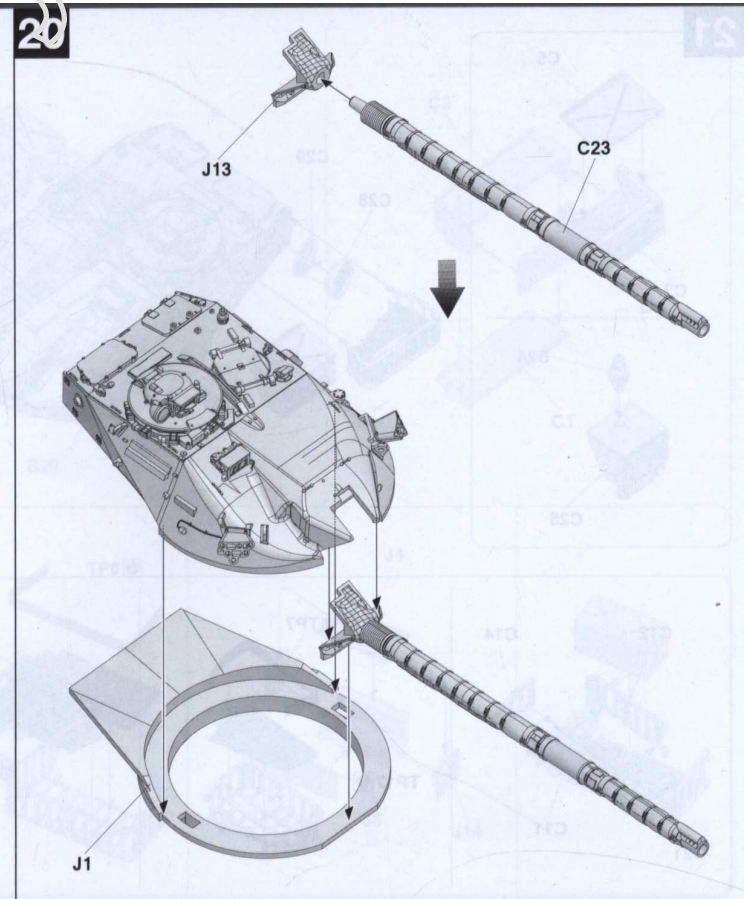
18



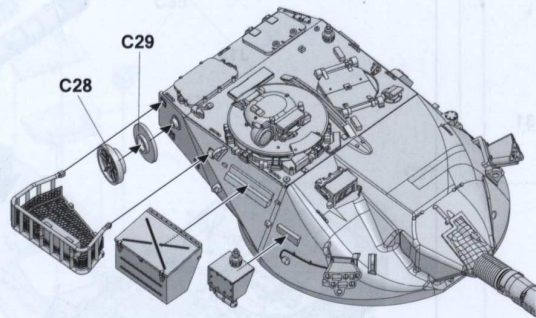
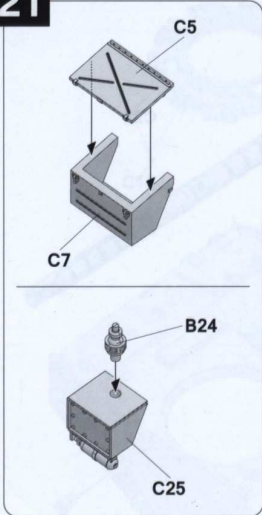
19



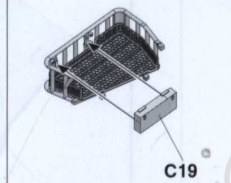
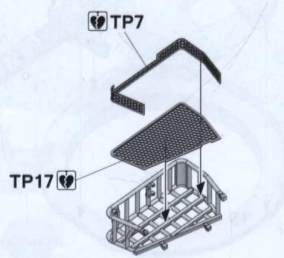
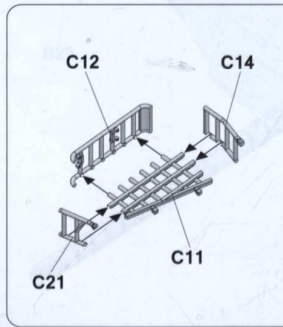
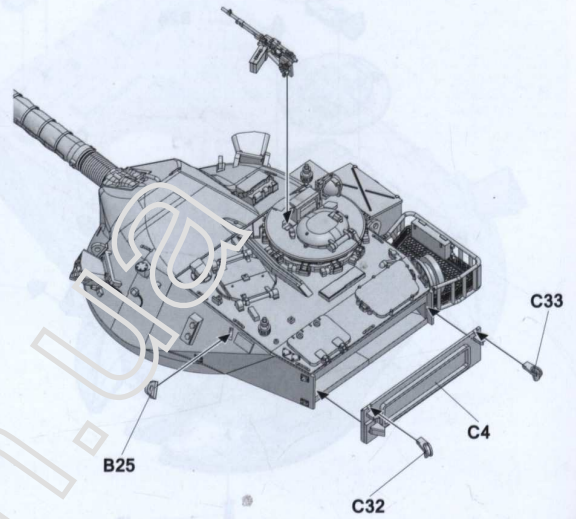
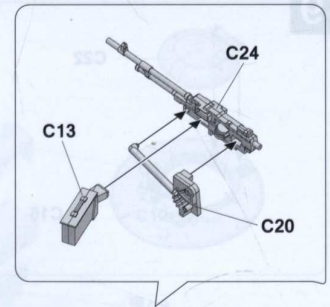
20



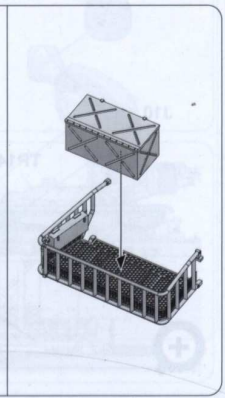
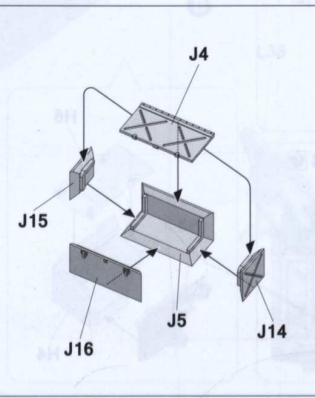
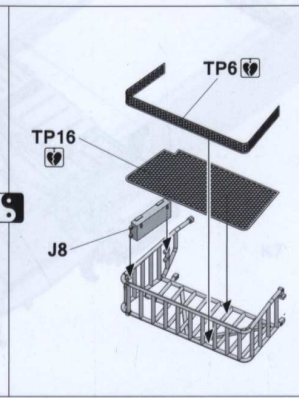
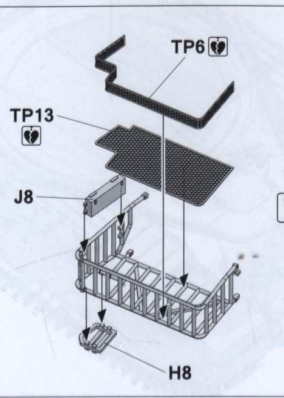
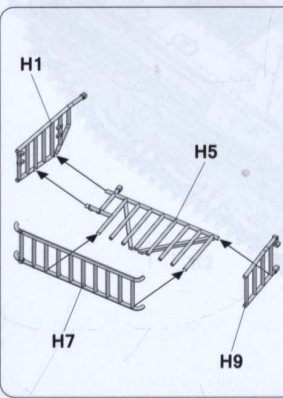
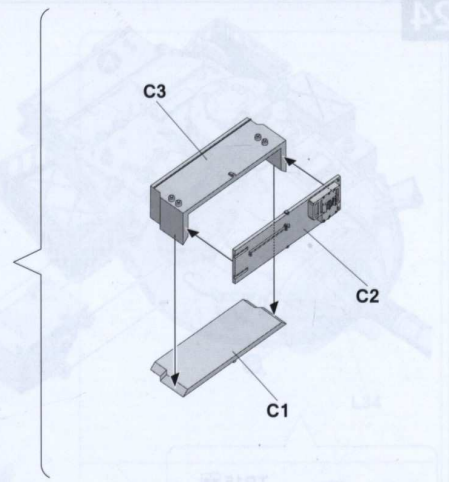
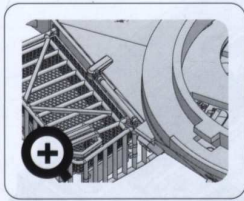
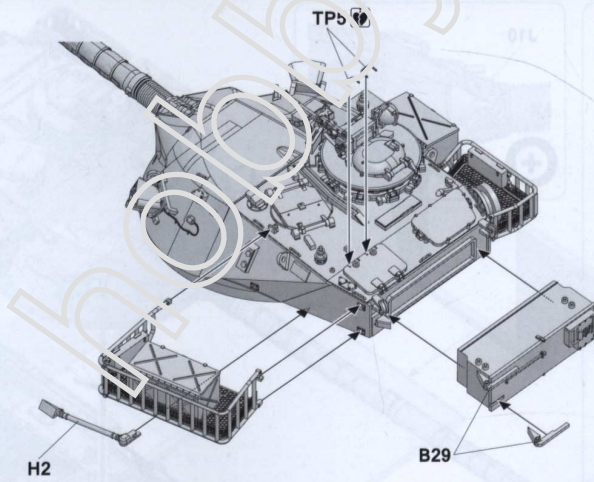
21



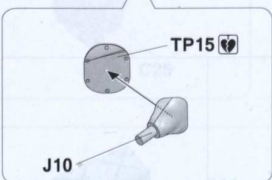
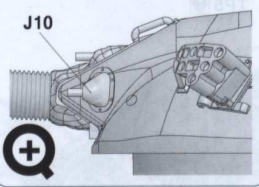
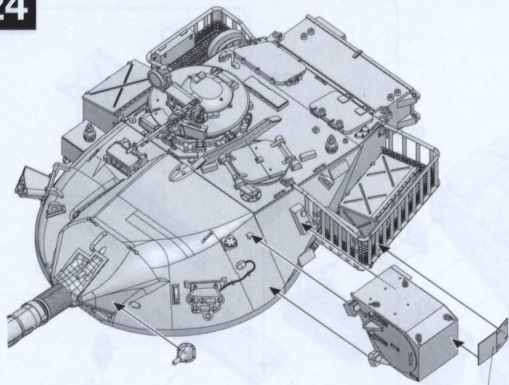
22



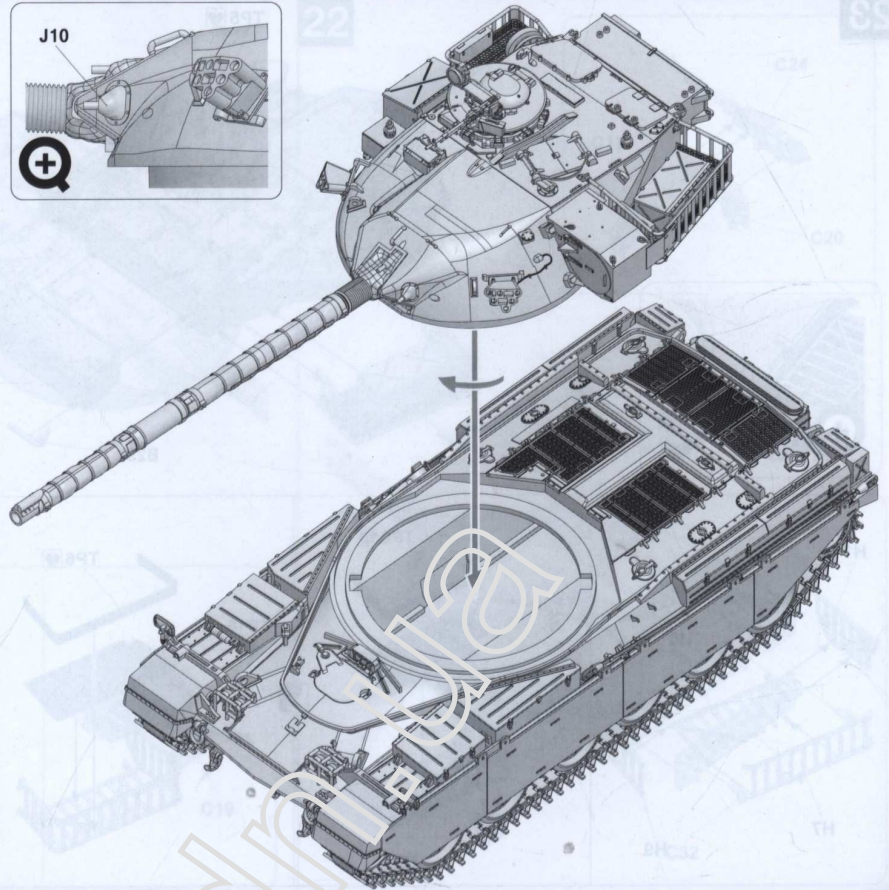
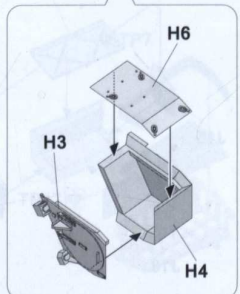
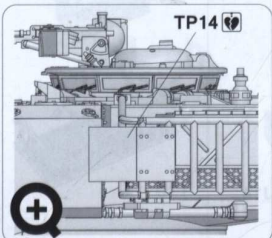
23



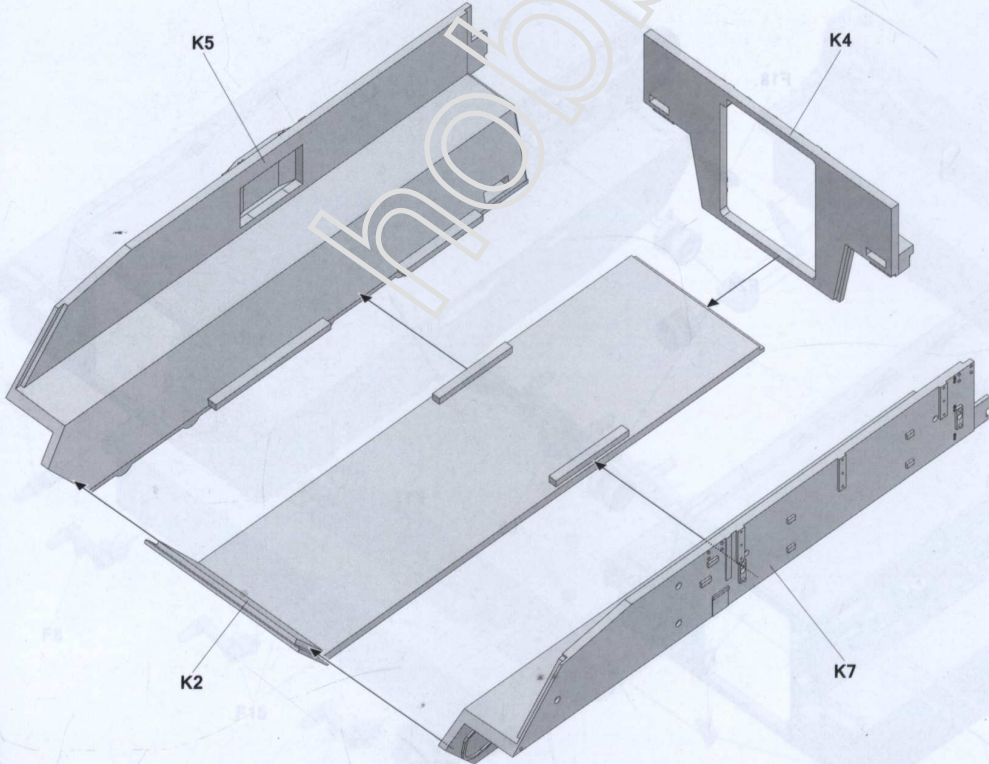
24



TP14



25

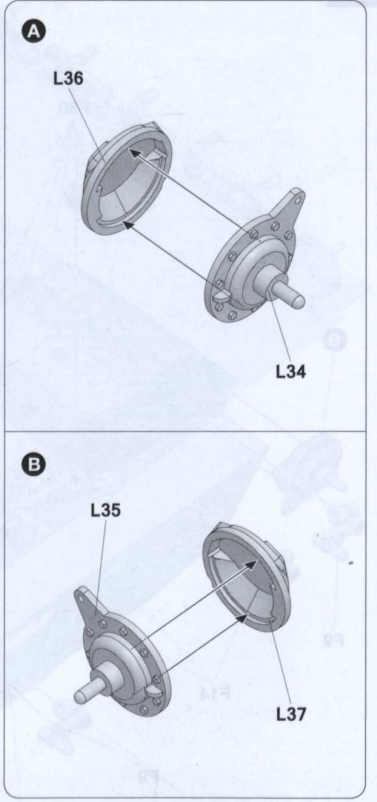


K5

K4

K2

K7



A

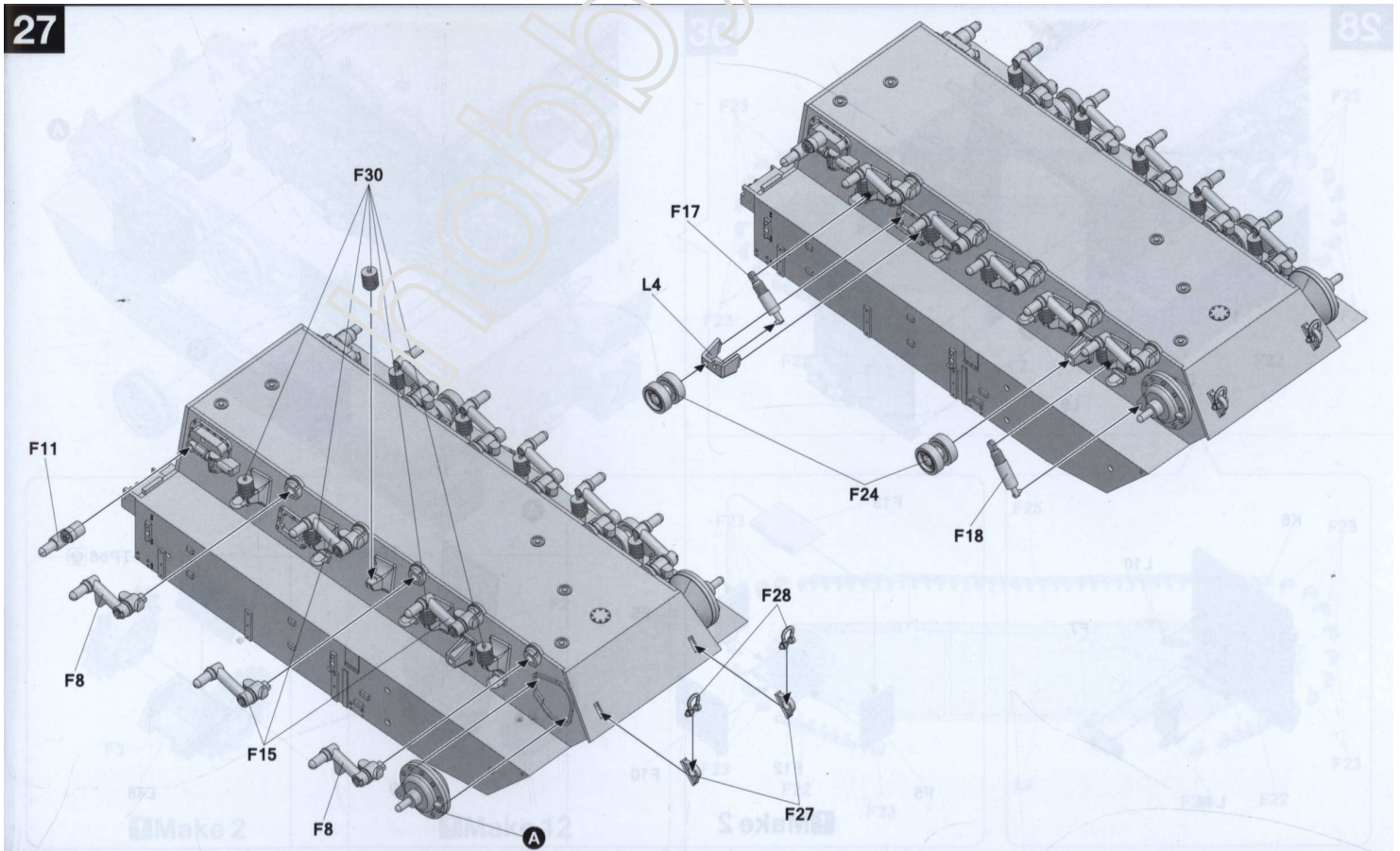
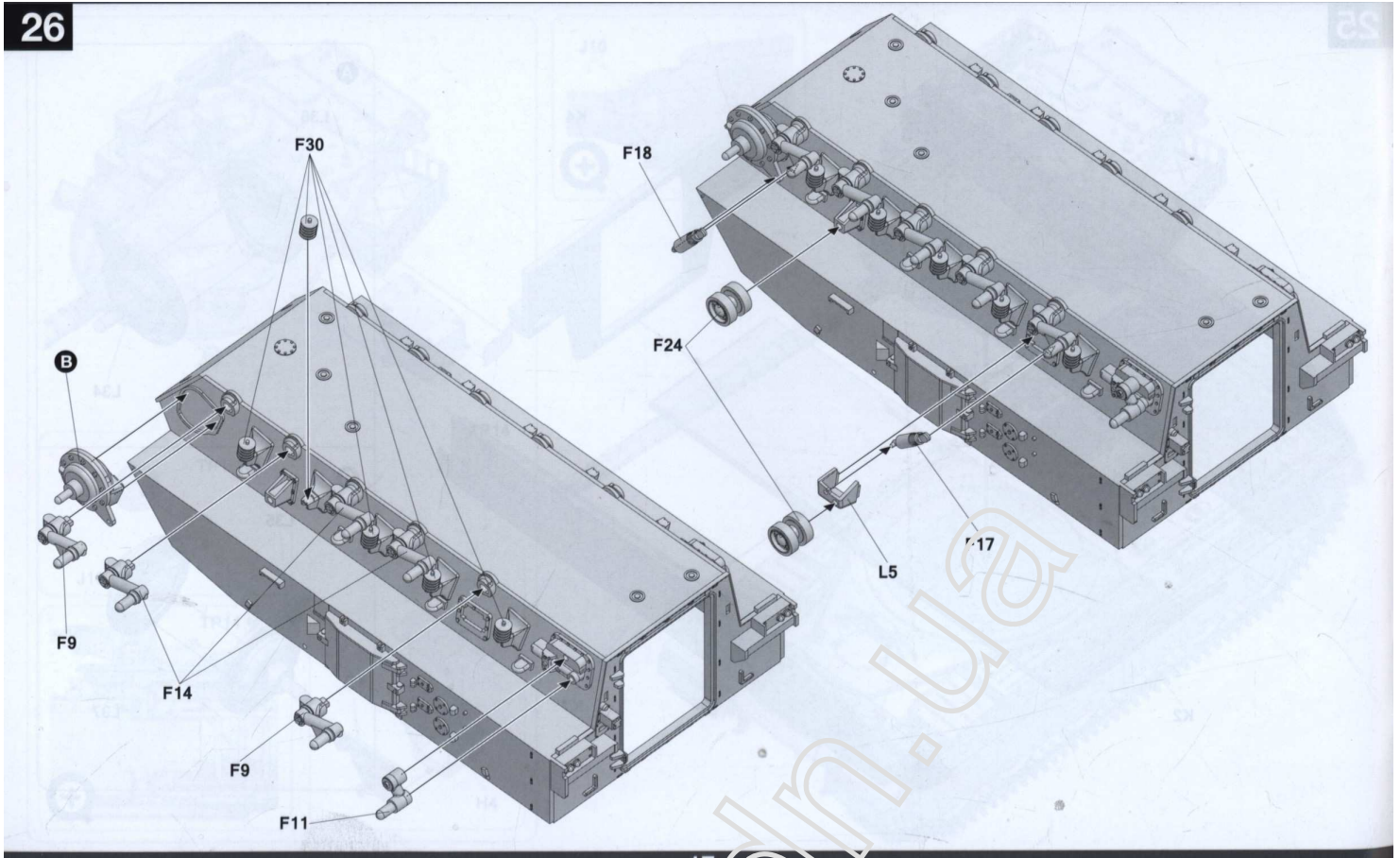
L36

L34

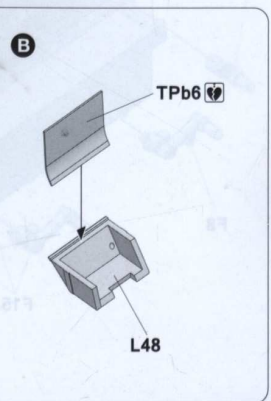
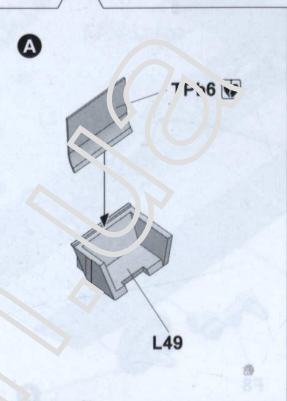
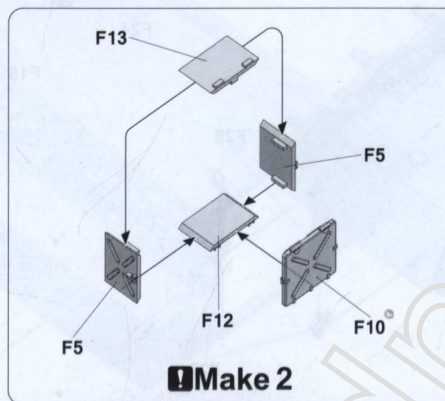
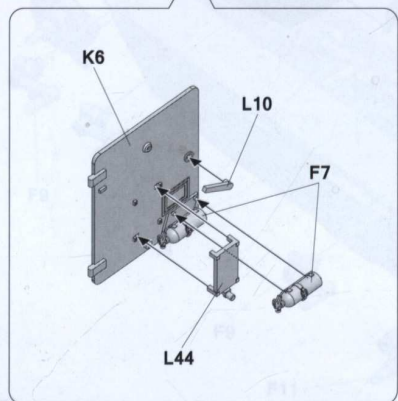
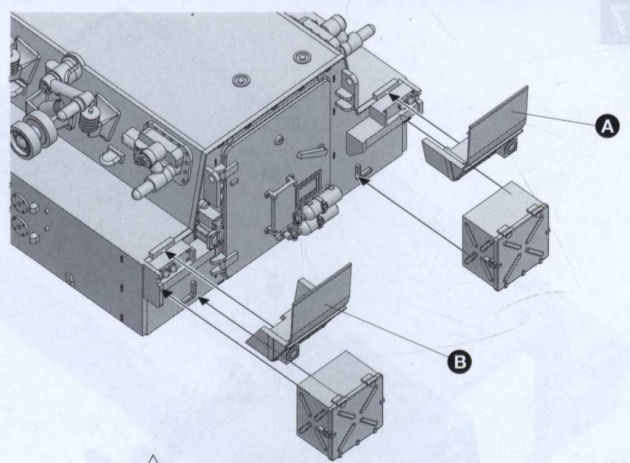
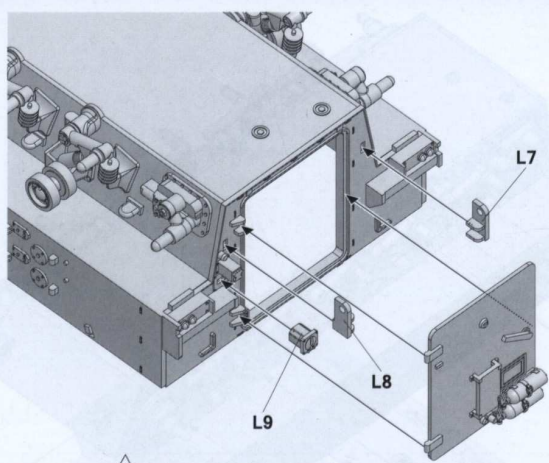
B

L35

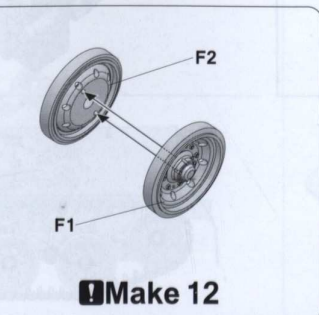
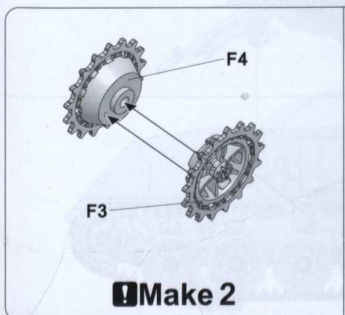
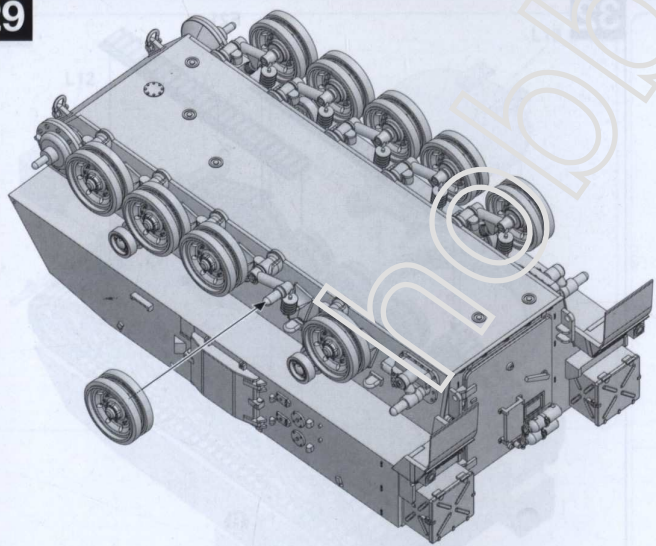
L37



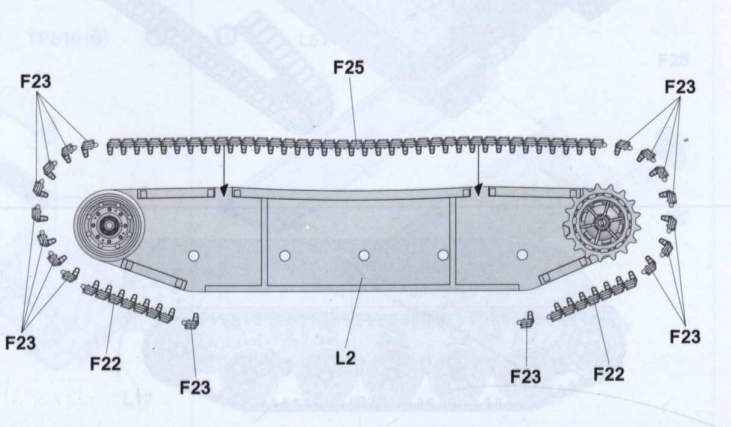
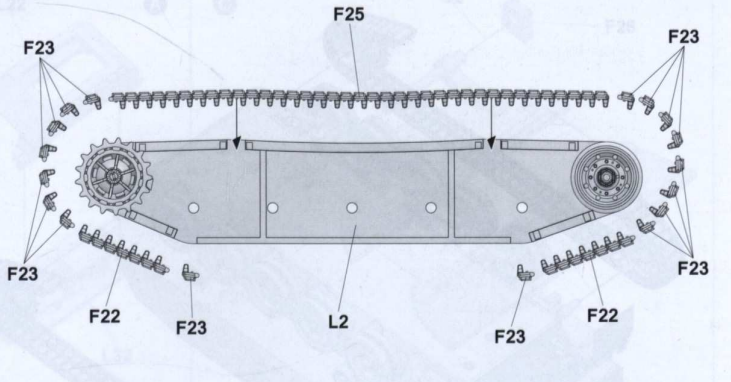
28



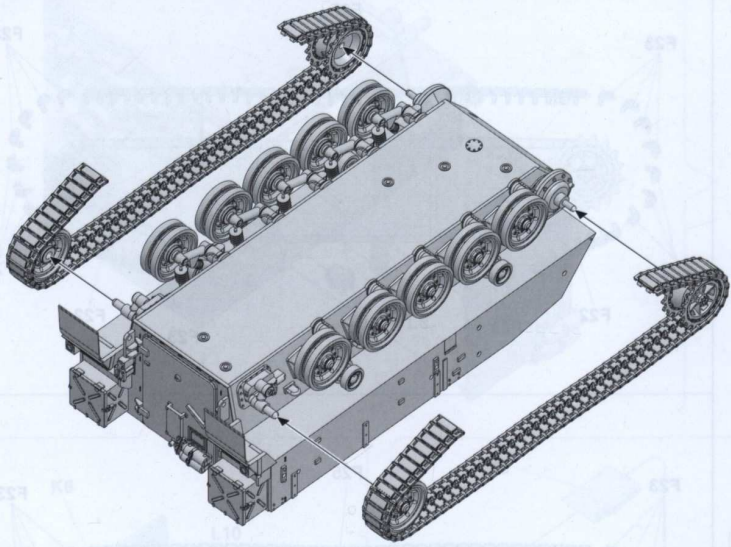
29



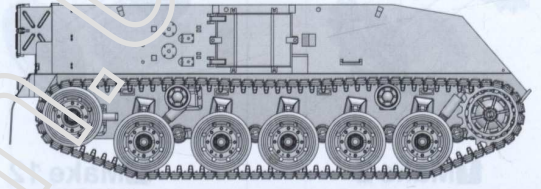
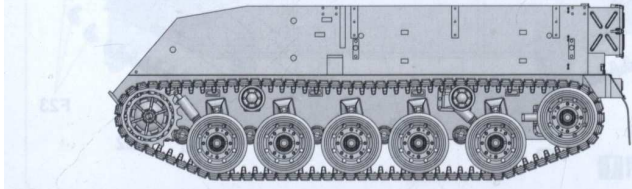
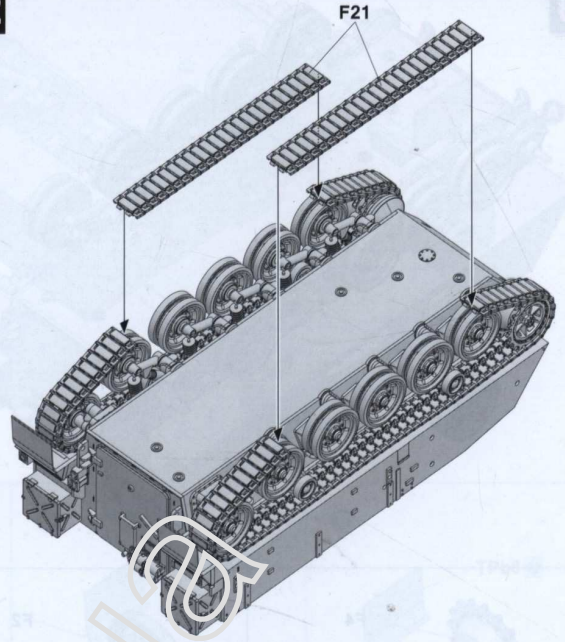
30



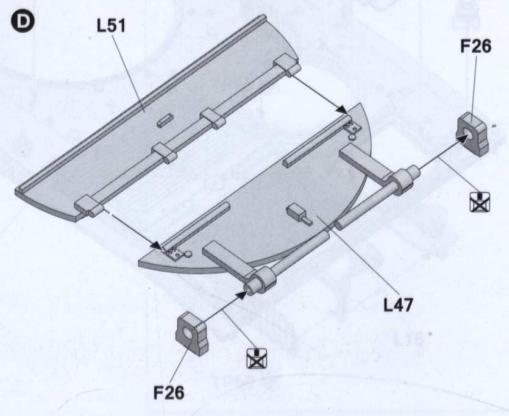
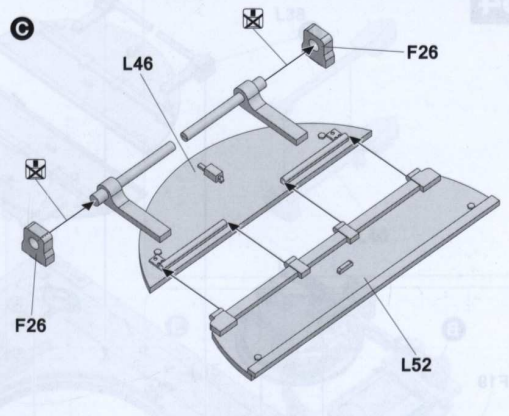
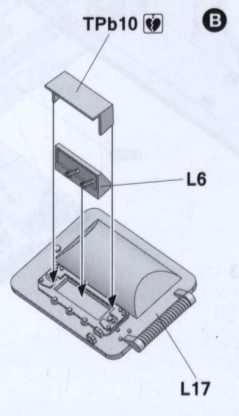
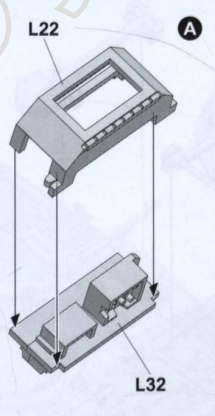
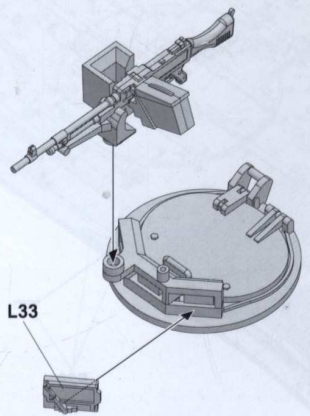
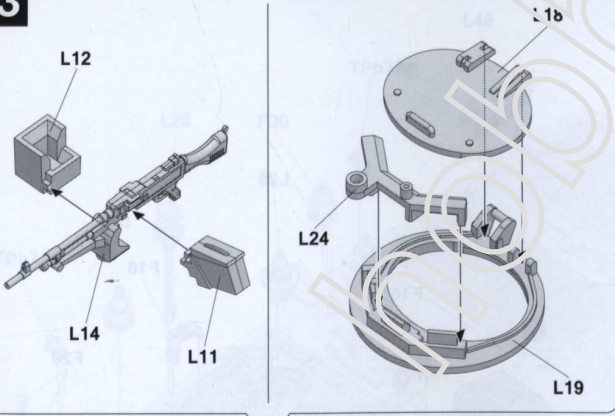
31



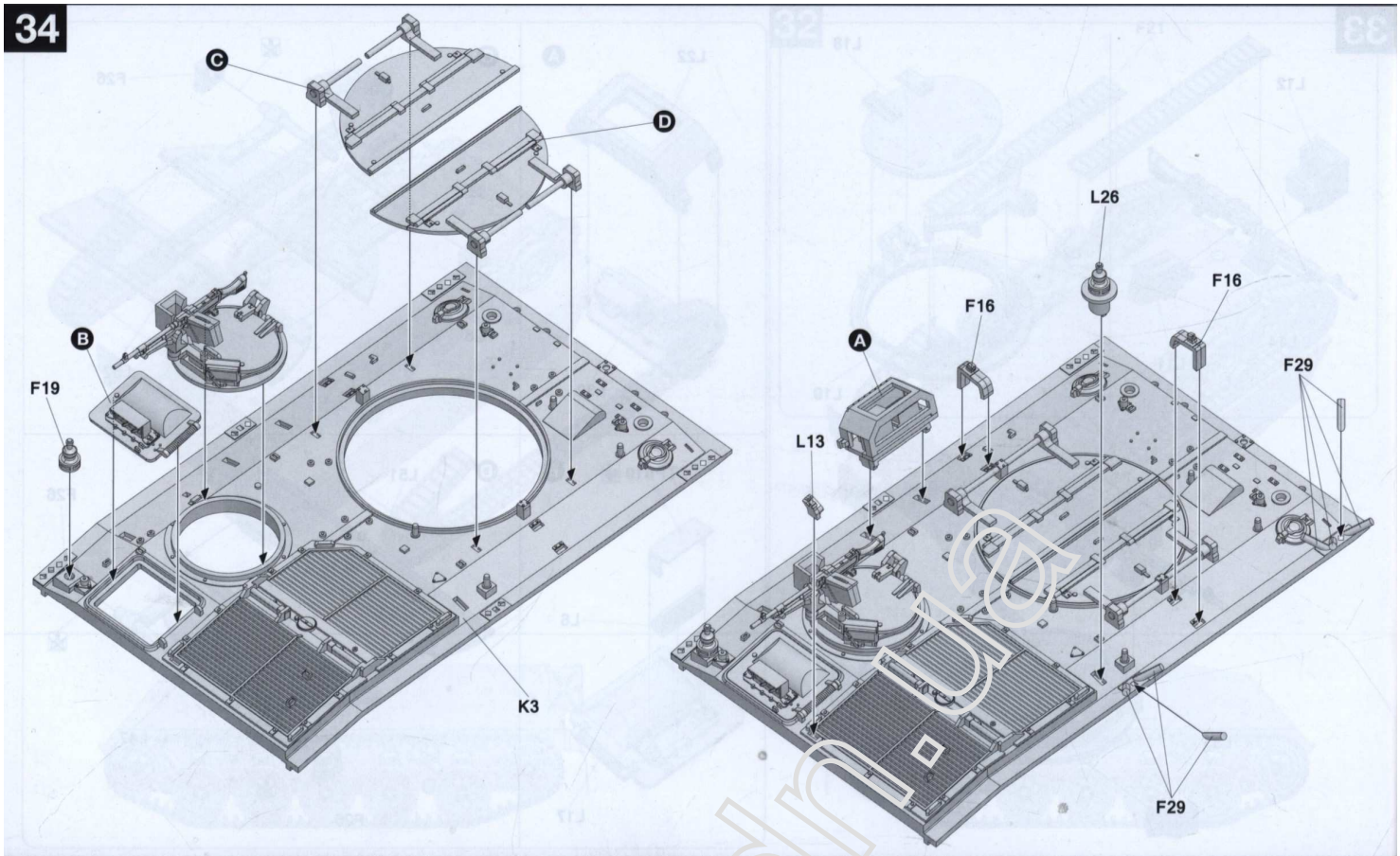
32



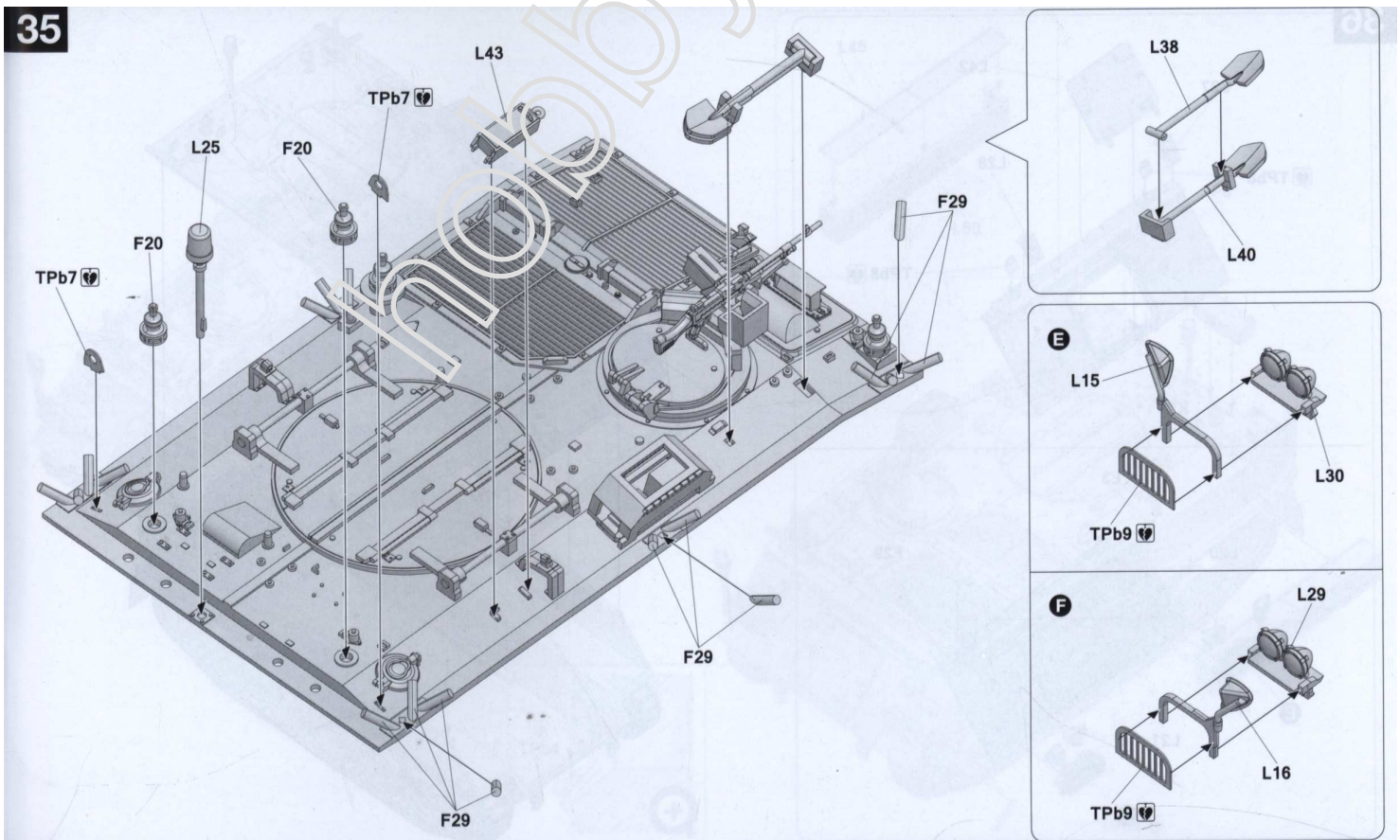
33



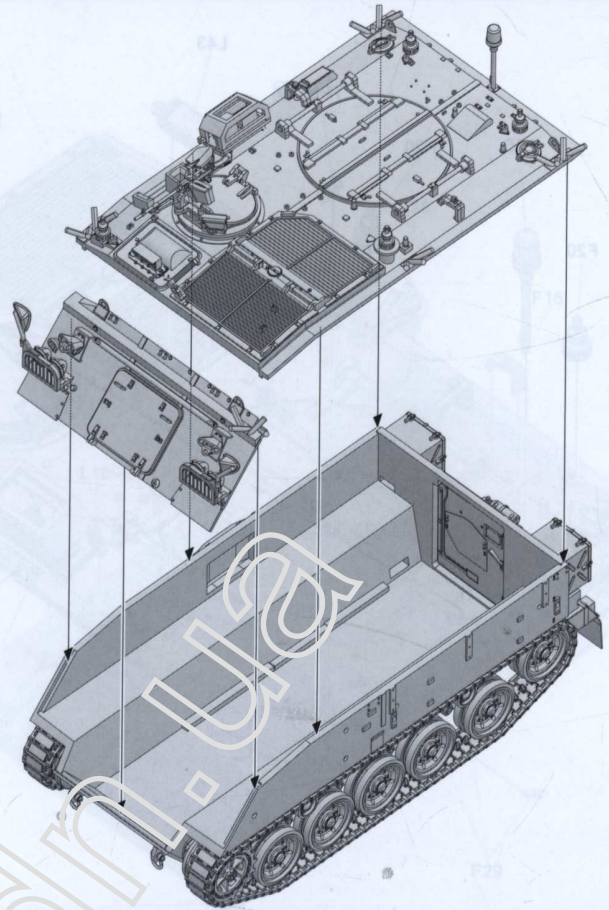
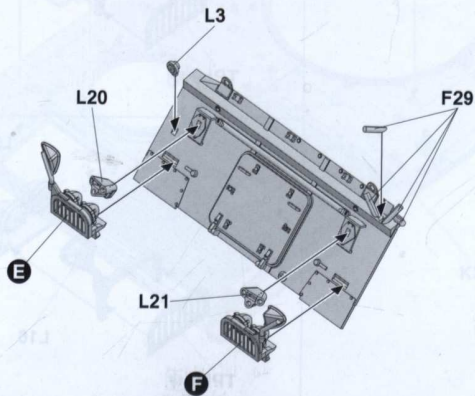
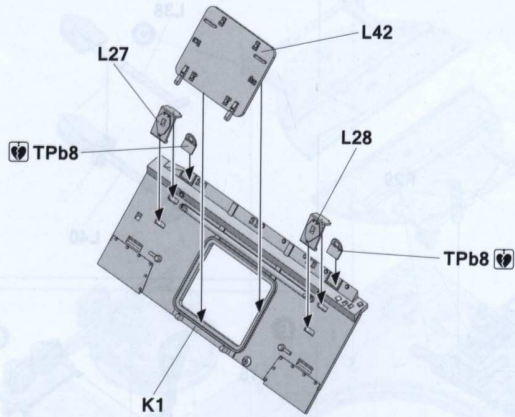
34



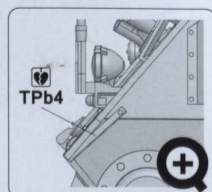
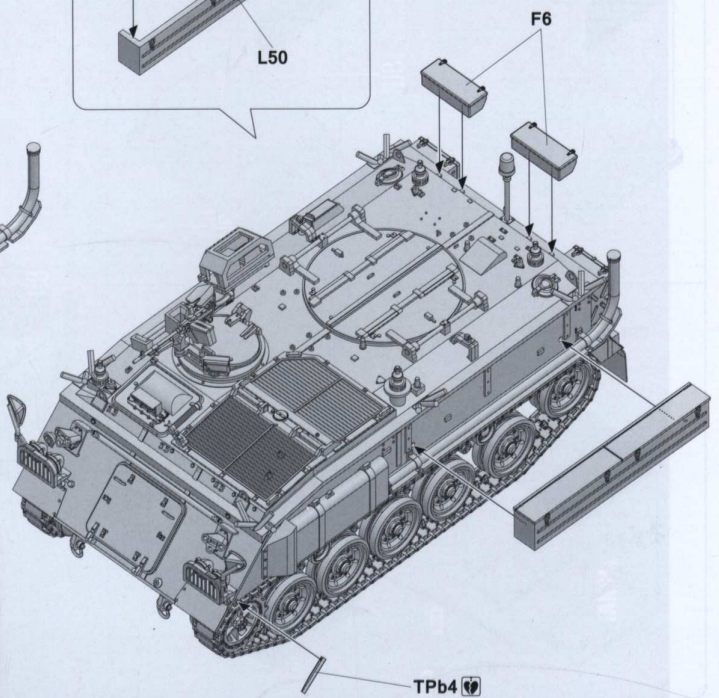
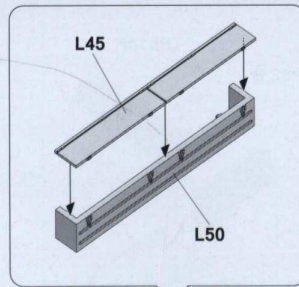
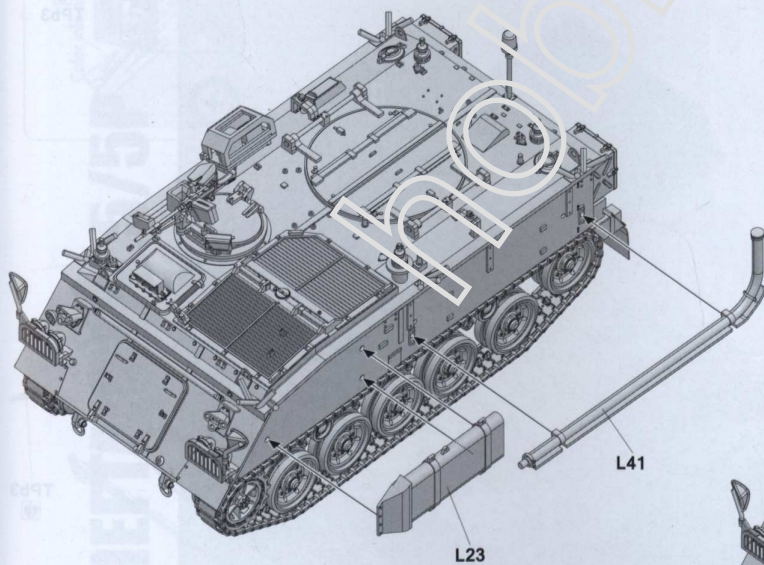
35

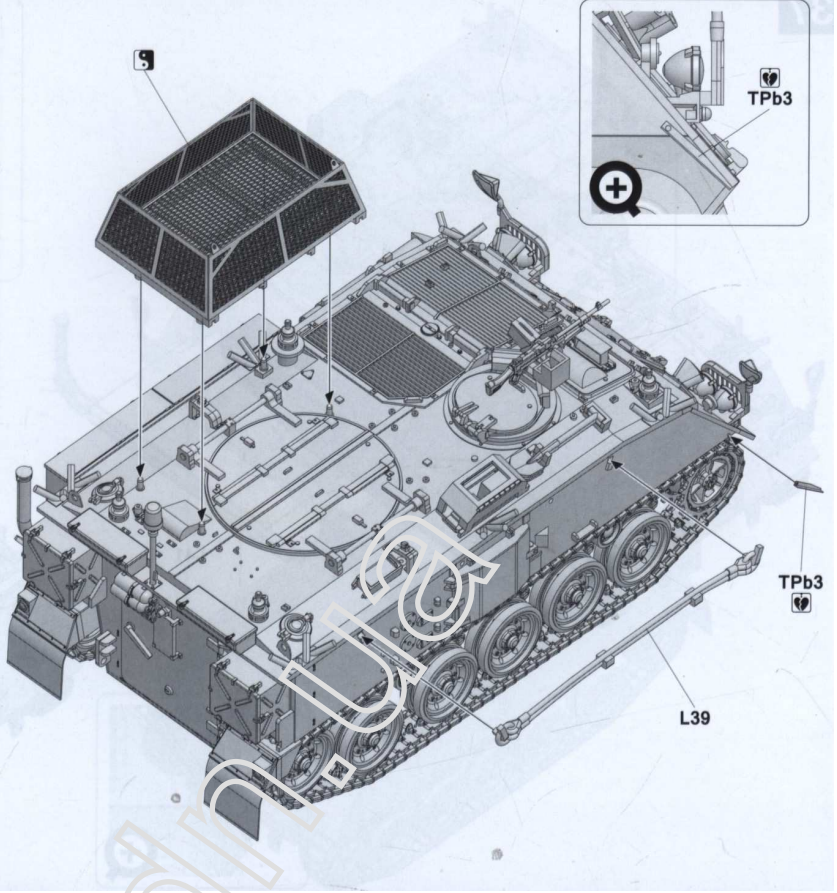
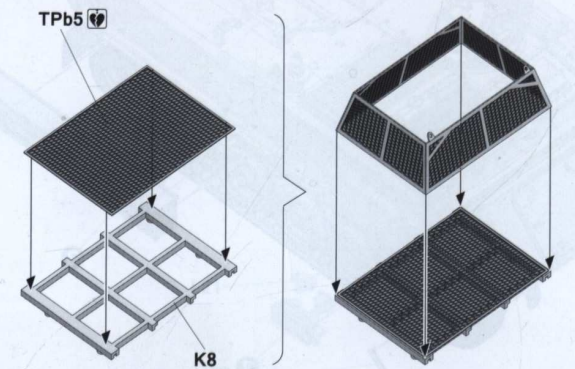
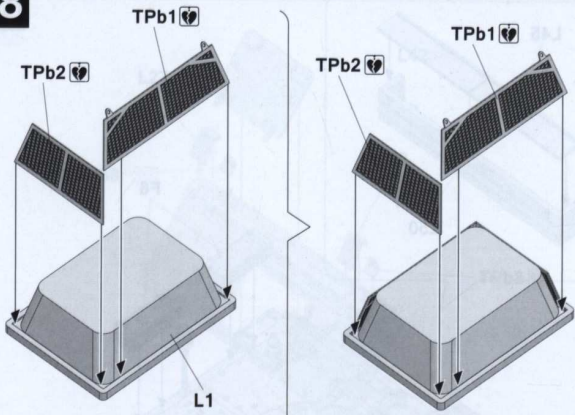


36



37



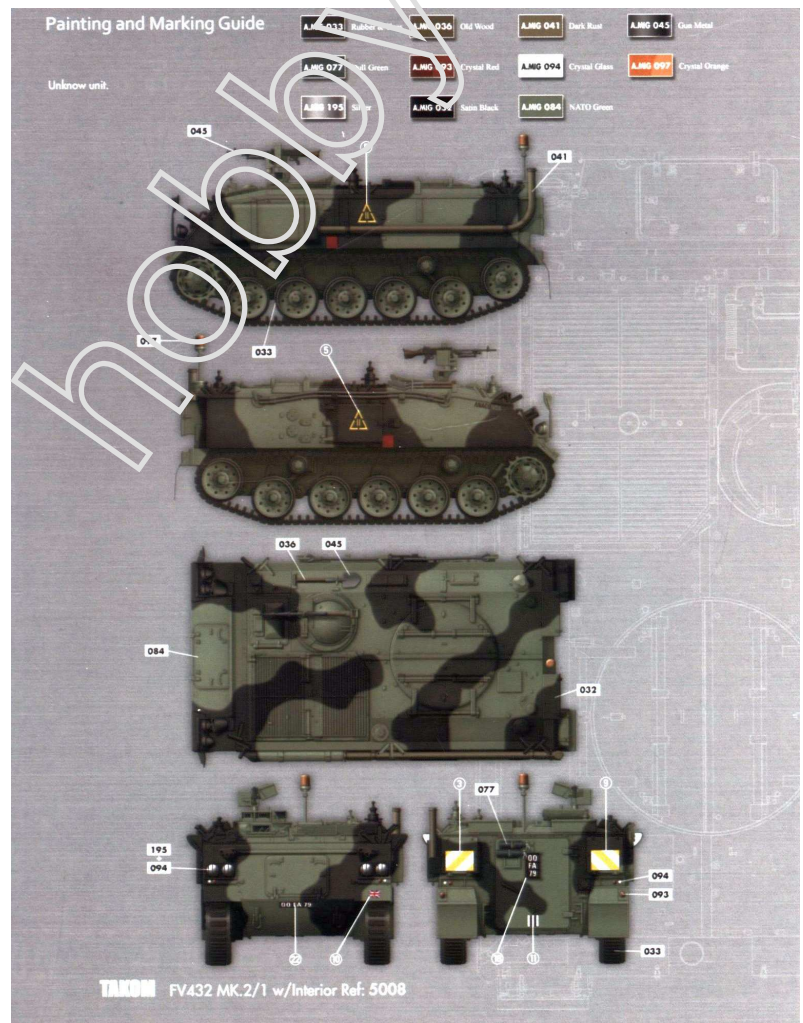
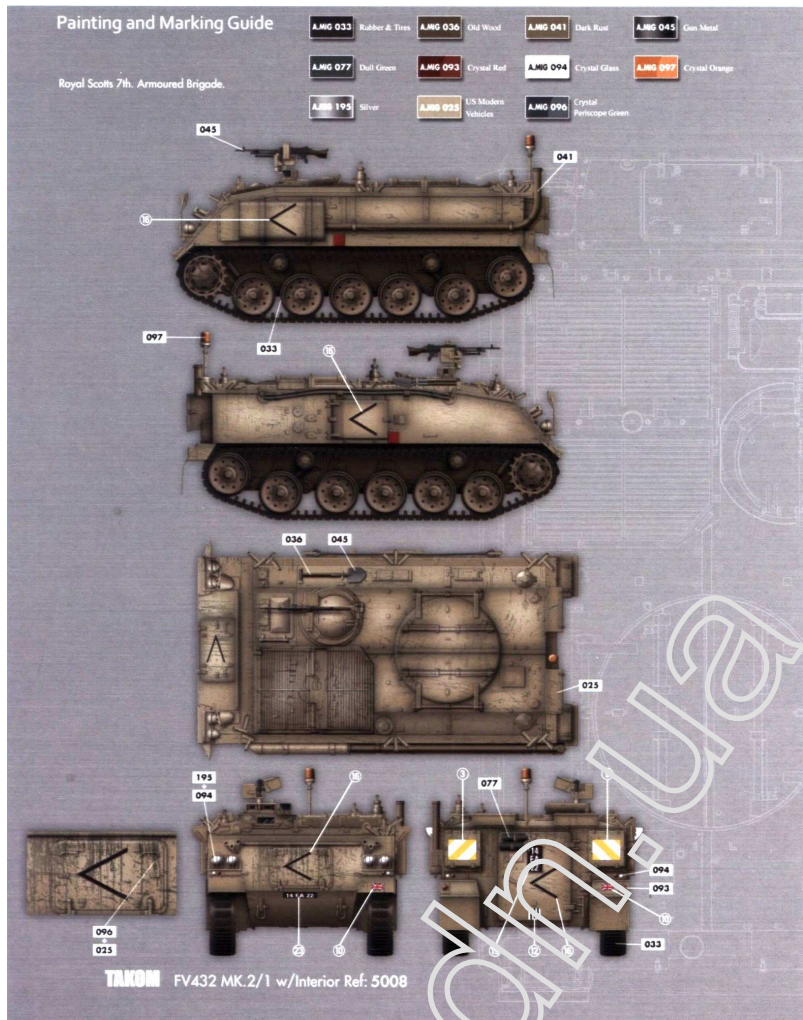


Painting and Marking Guide

Unknown unit: BATUS, 1991

| | | | |
|-------------------------|-----------------------------------|----------------------------|-----------------------------|
| A.MIG 031 Rubber Black | A.MIG 041 Dark Rust | A.MIG 045 Gun Metal | Crystal Glass |
| A.MIG 075 Crystal Smoke | A.MIG 090 Crystal Periscope Green | A.MIG 061 Warm Sand Yellow | A.MIG 206 FS 34075 (BS 641) |
| A.MIG 084 NATO Green | | | |

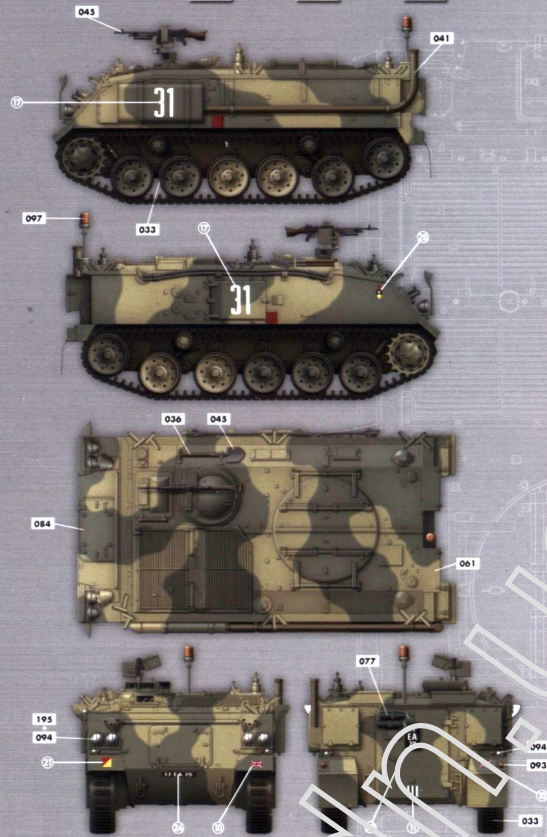
TAKOM Chieftain MK.5/P. Ref. 5008



Painting and Marking Guide

| | | | | | | | |
|------------|----------------|------------|------------------|------------|---------------|------------|----------------|
| A.M.G. 033 | Rubber & Tires | A.M.G. 036 | Old Wood | A.M.G. 041 | Dark Rust | A.M.G. 045 | Gun Metal |
| A.M.G. 077 | Dull Green | A.M.G. 093 | Crystal Red | A.M.G. 094 | Crystal Glass | A.M.G. 097 | Crystal Orange |
| A.M.G. 193 | Silver | A.M.G. 061 | Warm Sand Yellow | A.M.G. 084 | NATO Green | | |

OFFOR.



TAKOM FV432 MK.2/1 w/Interior Ref. 5009

hobby.com.ua