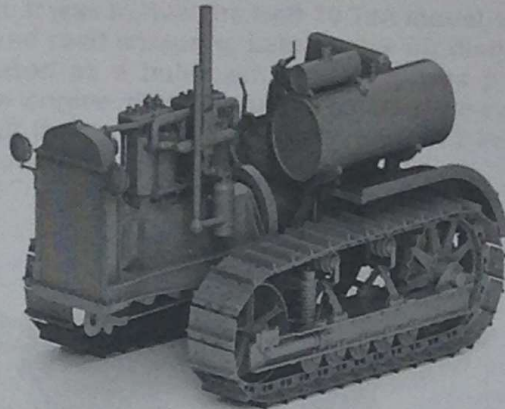


# 35006

產品編號: 35006

# scale 1/35

1:35 比例



## 1/35 US Crawler Sixty

Go through this assembly guide and understand it before you start kit assembly  
 Use usual plastic kit's cements and tools (not included in the kit)  
 Follow painting guide supplied, use only hobby paints  
 Work carefully with photo etched parts if included, use C/A glues to assemble them

請您在組裝此產品前仔細閱讀組裝指南;  
 請使用通用塑膠模型黏合劑和工具(本產品不附帶);  
 本產品所以提供的噴塗指南只適用本於模型;  
 如果本產品含有蝕刻套件,請小心仔細處理,請使用C/A膠水組裝;

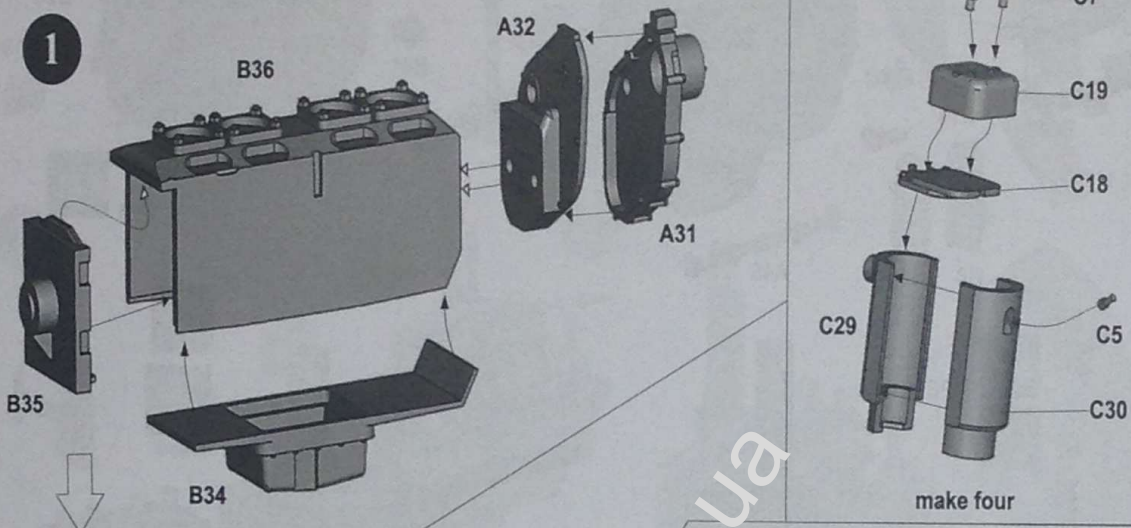
組み立て前にこの組み立てガイドをご覧ください。  
 プラスチックキット専用接着剤と専用工具をご使用ください。(ともにキットには含まれていません)  
 塗装ガイドに従ってください。専用塗料をご使用ください。  
 エッチングパーツの組み立ては細かいパーツのため注意が必要です。また接着には瞬間接着剤を使用してください。

	cut/remove	切下 / 移除	切断/切り離し
	drill hole	鑽孔	ドリル穴
	no glue	不適用膠水	接着しない
	bend	折彎	折り曲げ
	cyanoacrylate glue	氰基丙烯酸酯膠水	瞬間接着剤
	string or wire	細繩或者金屬絲線	糸または金属線
	rope	繩	ひも
	paint area during assembly (ref. to AMMO colors)	裝配過程中的噴漆區域推薦 (請參考AMMO顏色)	組み立て時の塗装部分 (コード例: AMMOカラー)
	PE - press rivets (lines) from the etched off side	蝕刻片 - 請从蝕刻掉的一側壓铆釘 (线)	ラインやリベット部分を未エッチング面から圧を与える

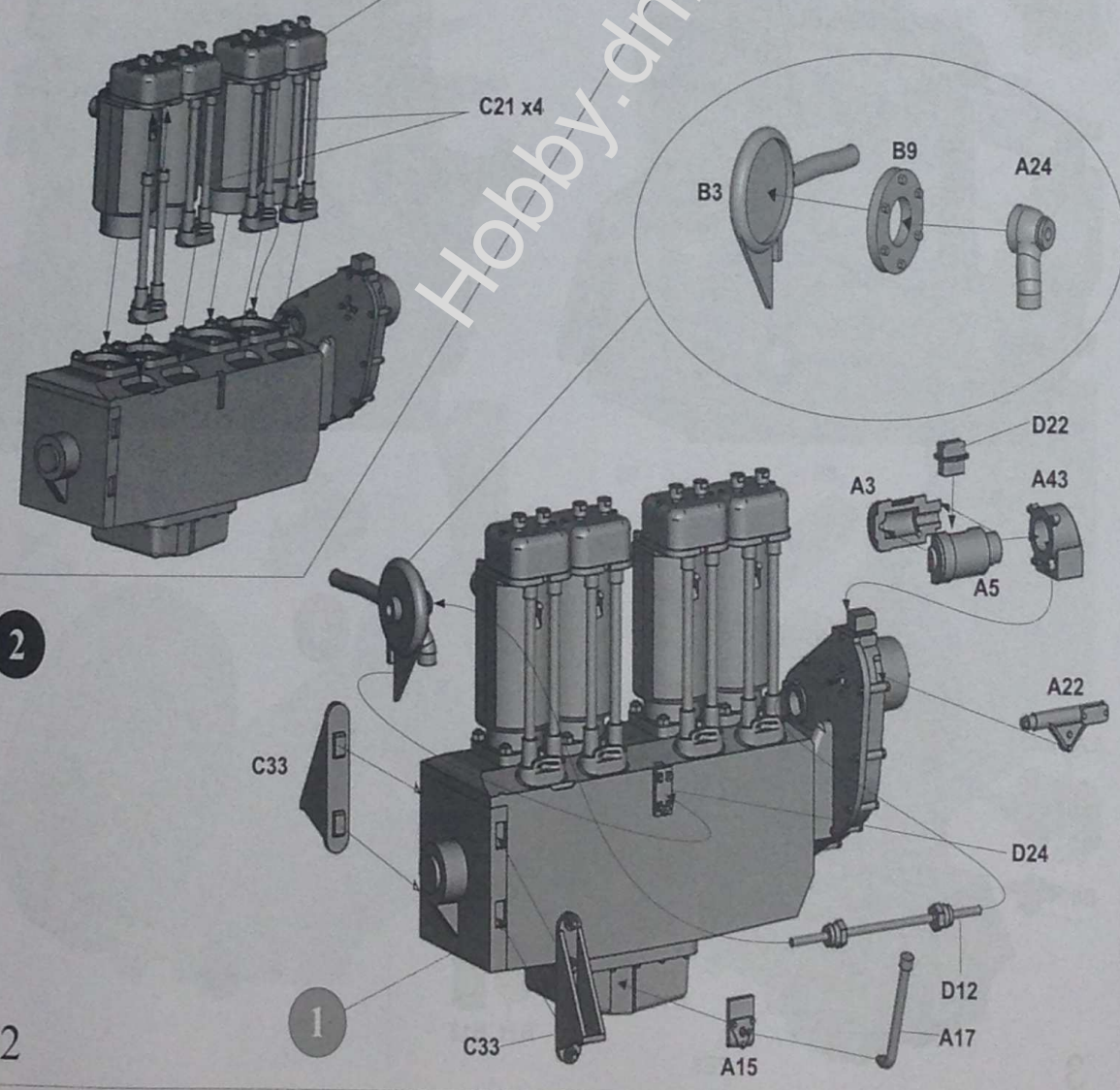
The tractor Sixty was a 60 horsepower crawler manufactured by the company from 1925 until 1931. The Sixty was the largest tractor in their product line at that time. The Sixty was originally introduced for sale beginning in 1919. Between 1919 and 1931, 18948 Sixty tractors were manufactured

The Sixty was famous for its overhanging radiator, individually mounted cylinders, lever controls, and open clutch. It was to rival the Holt 10 Ton model. Initially, the Sixty was used to pull farm equipment and road scrapers. Later, cable lift blades were rigged up, so that the crawlers could be used as a bulldozer. The Sixty was powered by a four-cylinder, overhead valve gasoline engine that produced 60 horsepower (45 kW) at the belt and 35 horsepower (26 kW) at the drawbar. The Sixty was a 72-inch (1.8 m) gauge machine and weighed 20,500 pounds (9,300 kg)

1

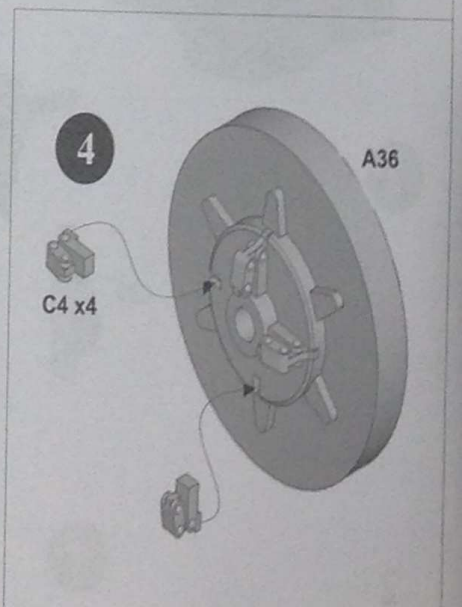
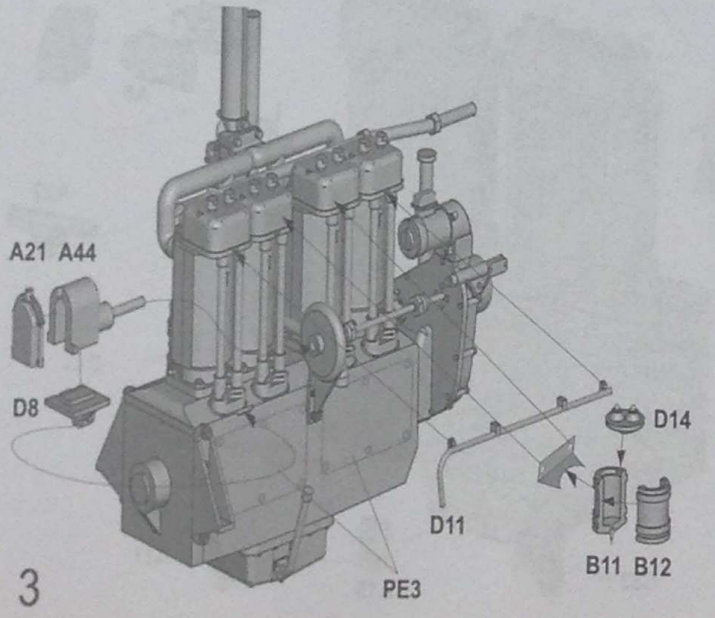
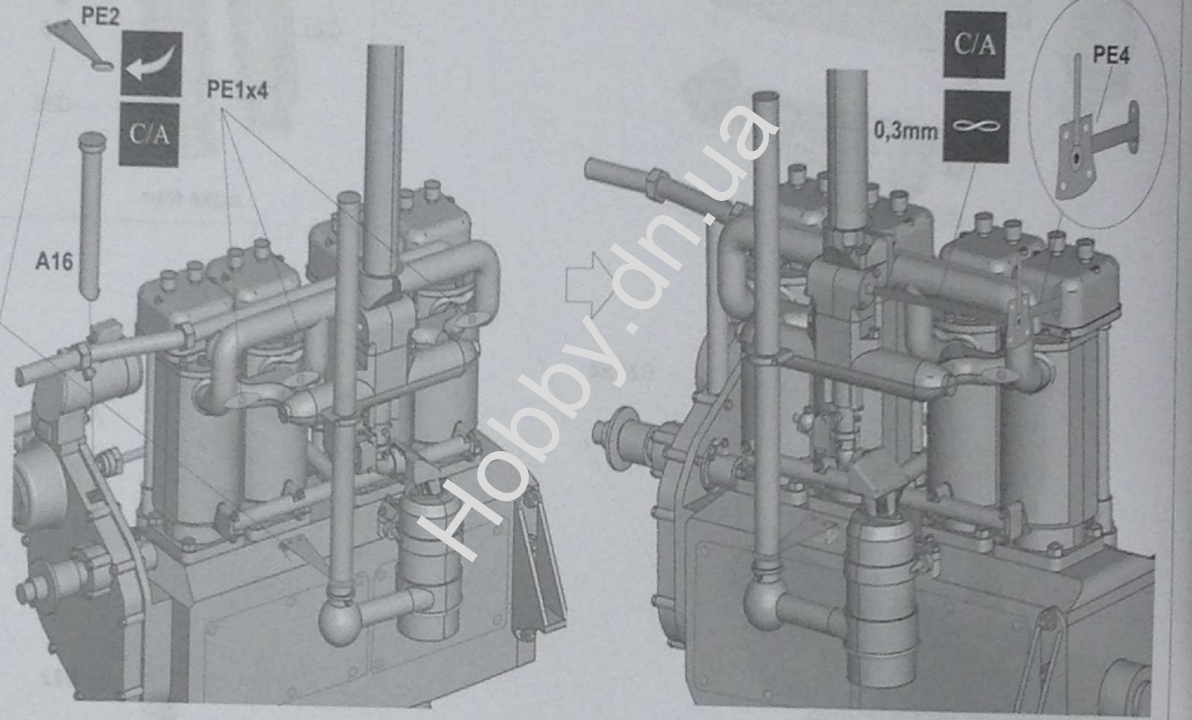
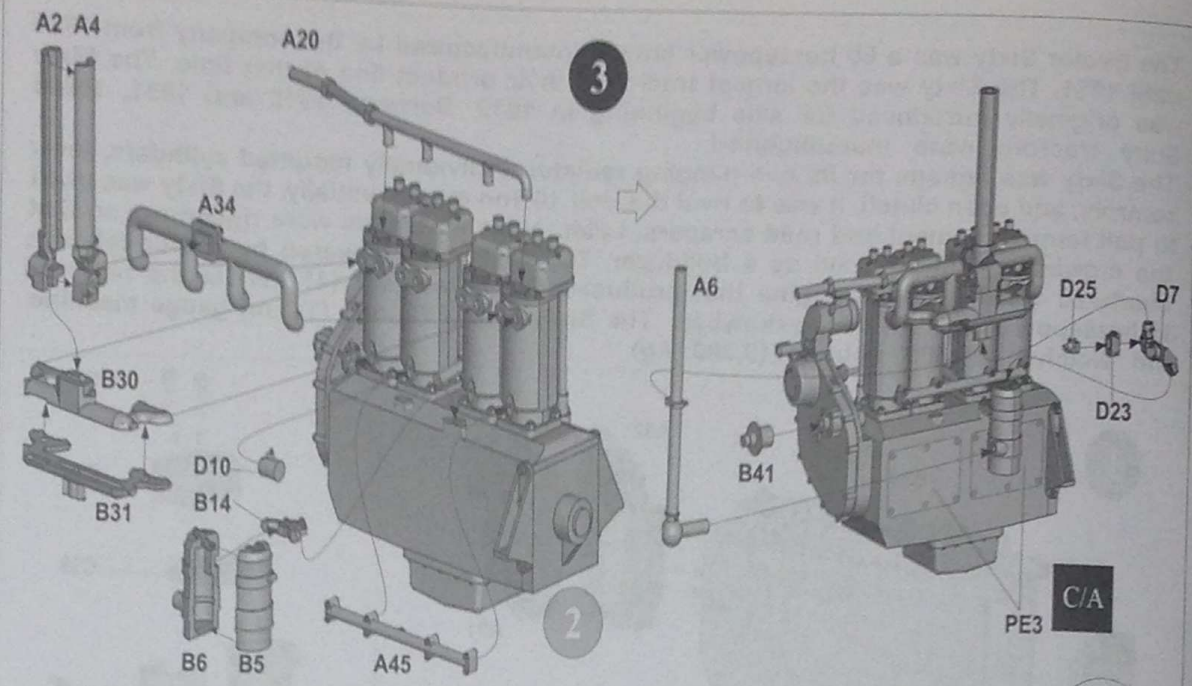


2

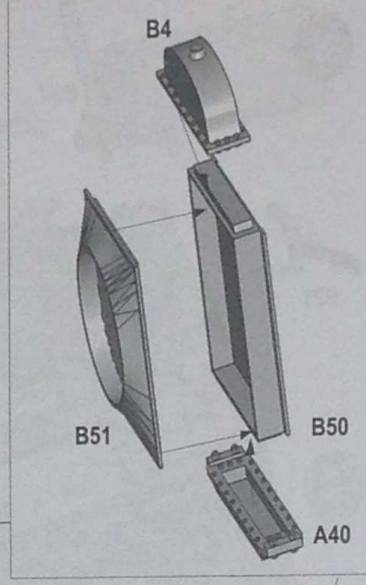
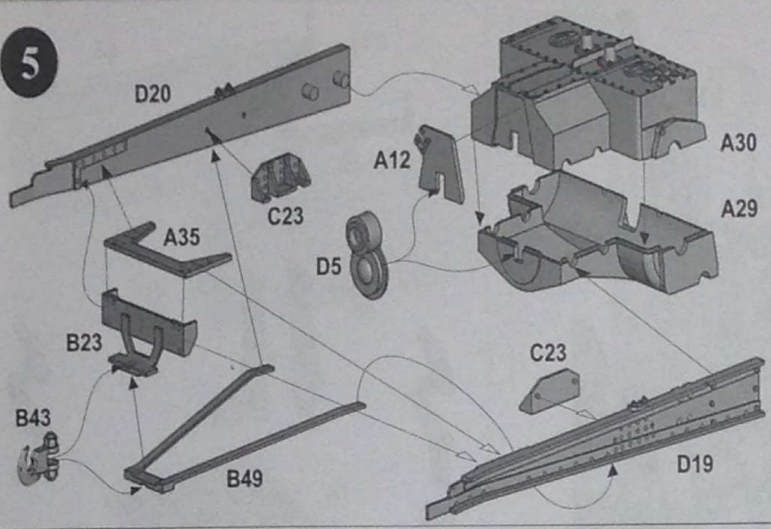


2

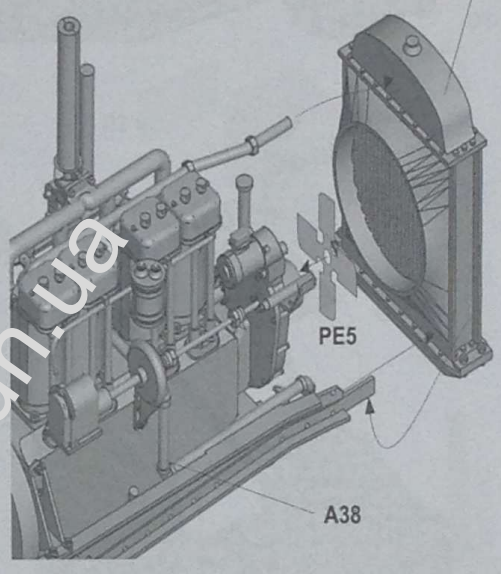
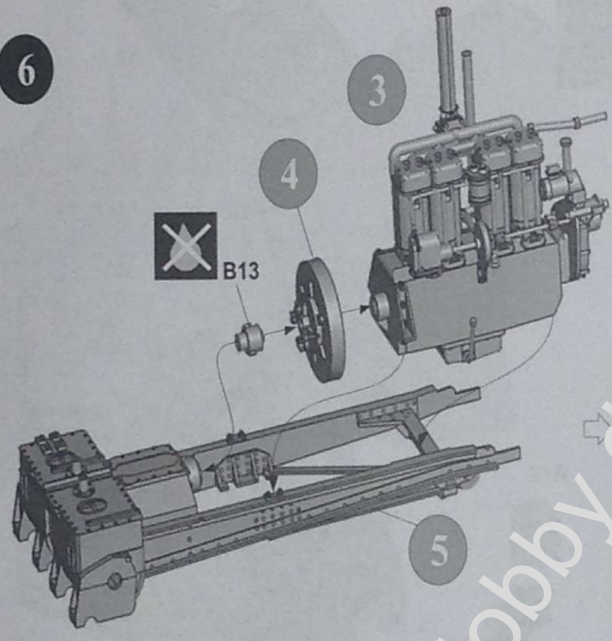
Hobby-dn.ua



5

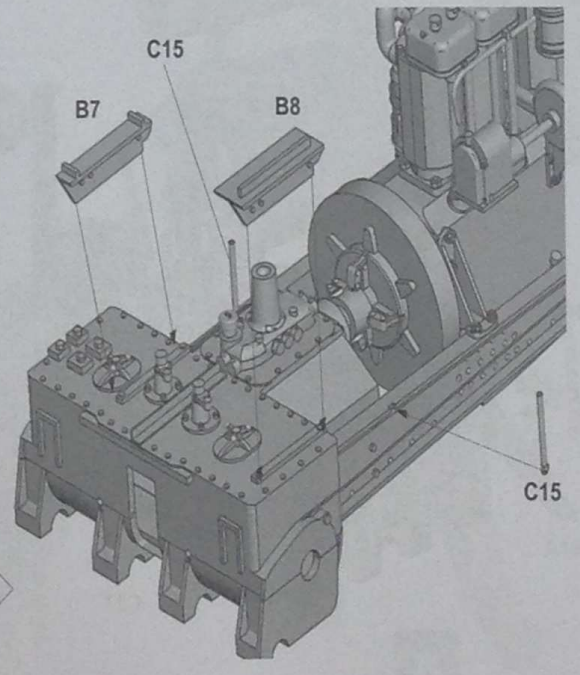
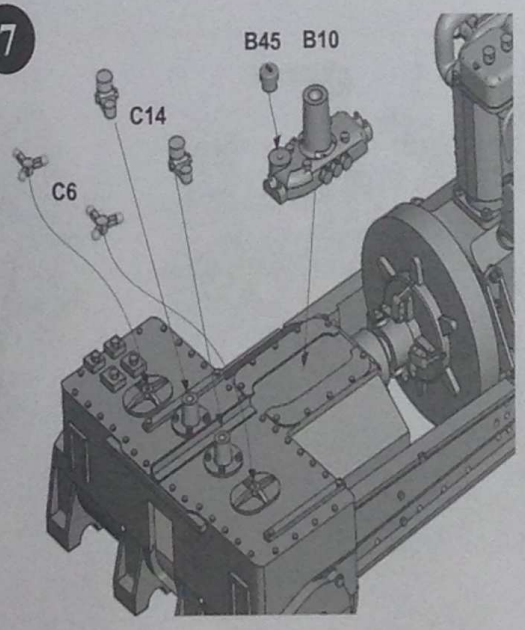


6



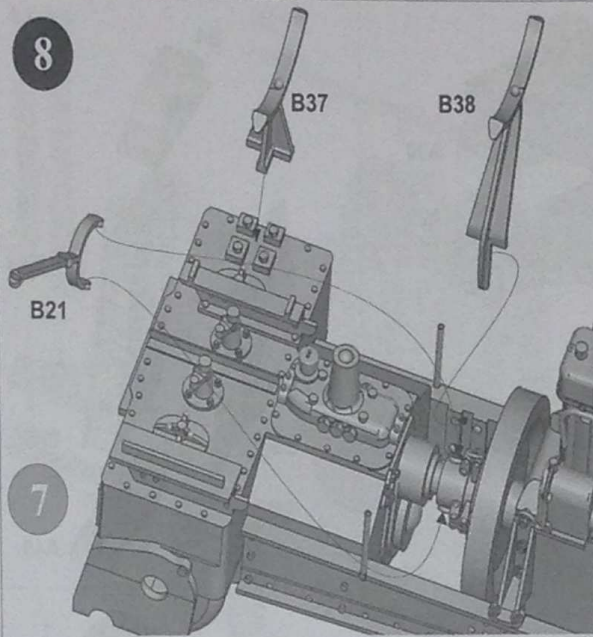
Hobby.dn.ua

7

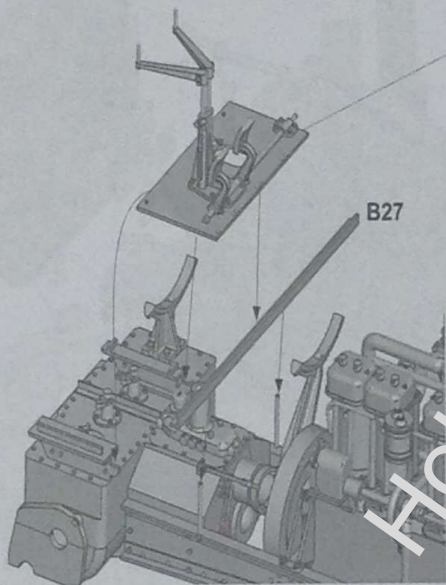
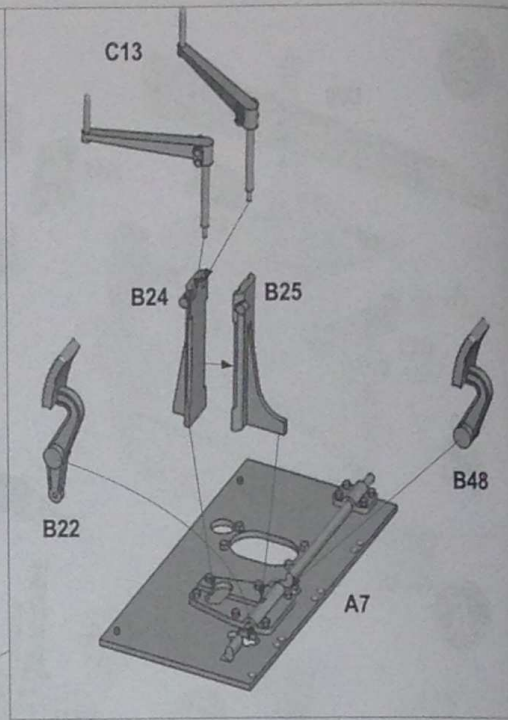


4

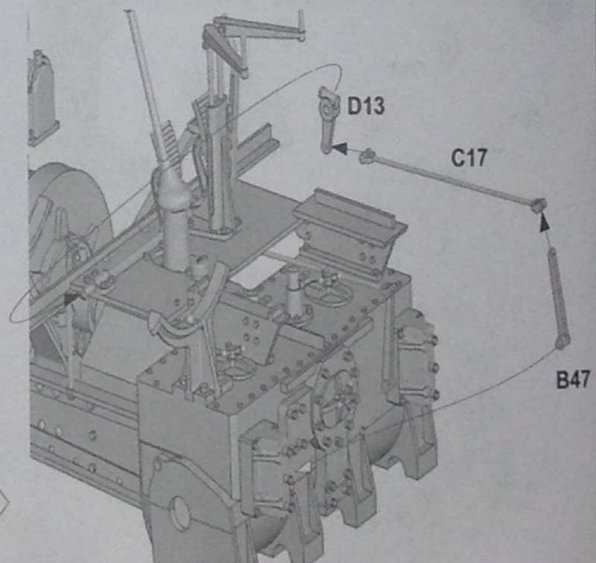
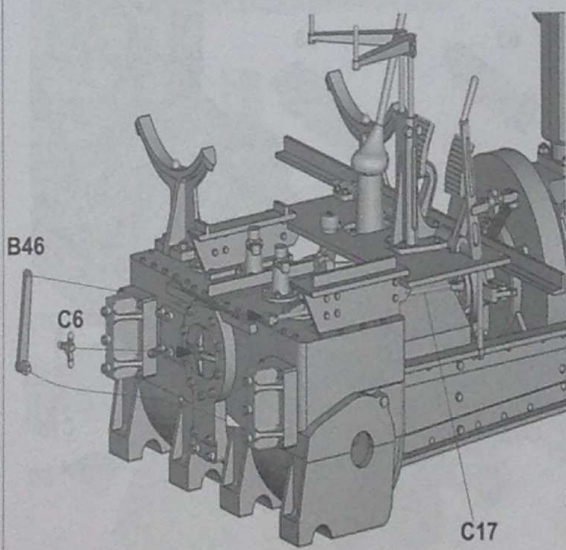
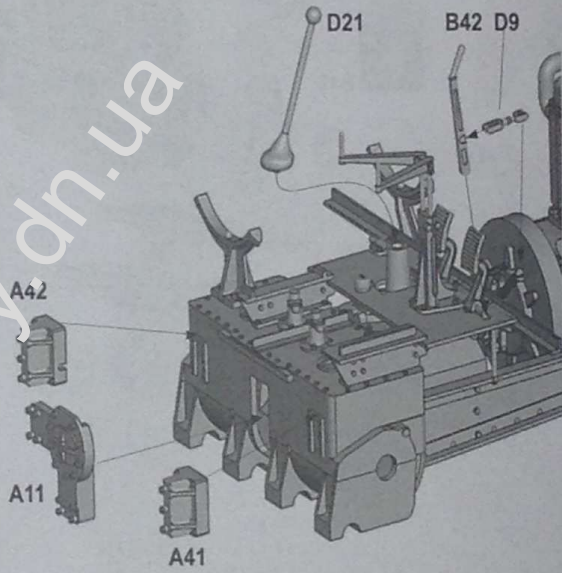
8



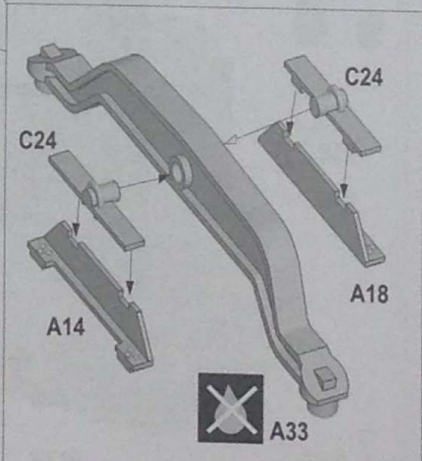
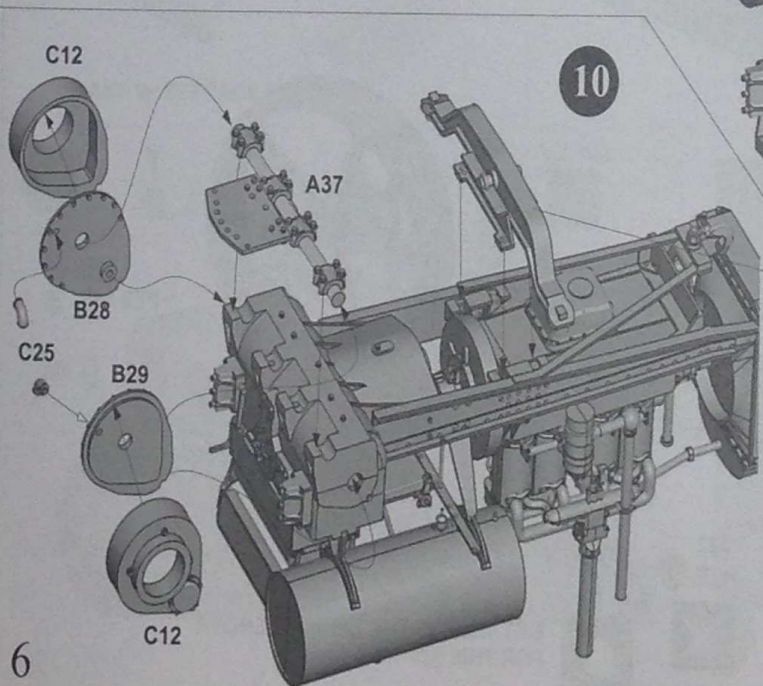
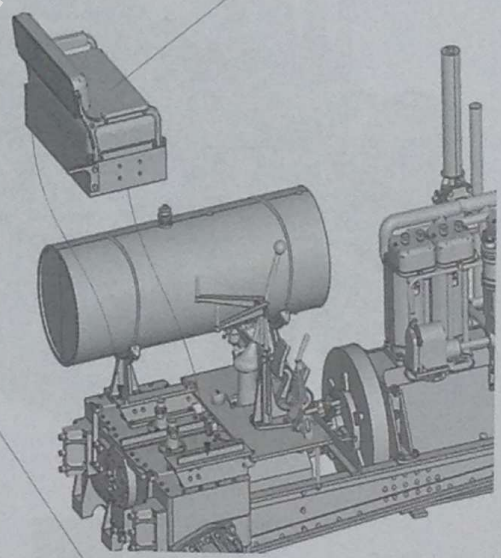
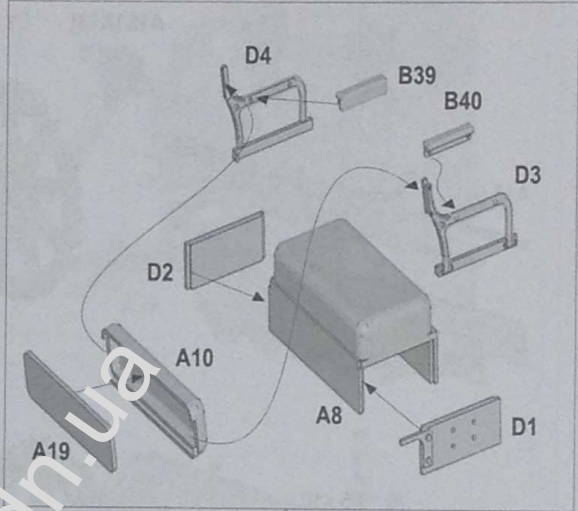
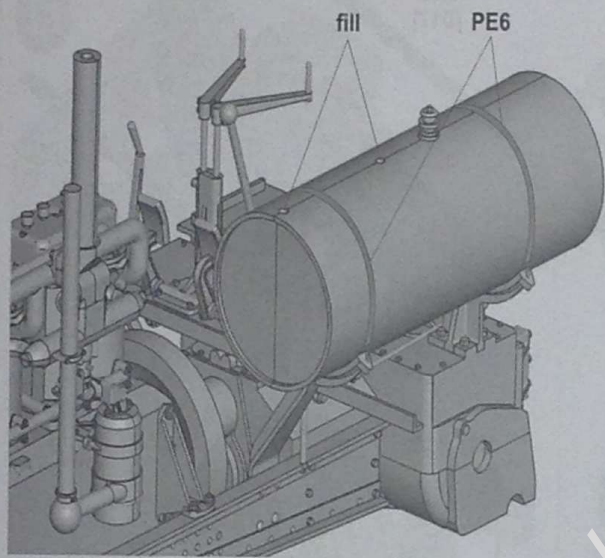
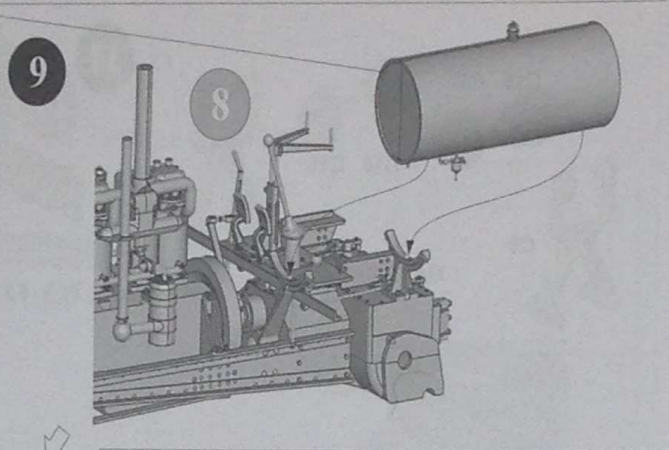
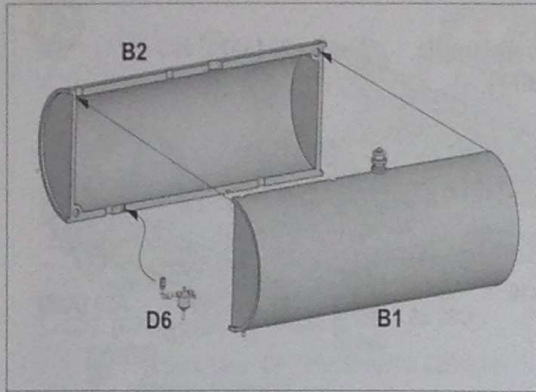
7



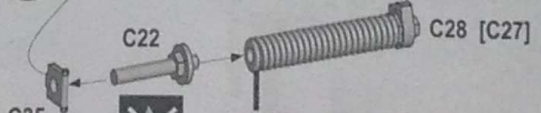
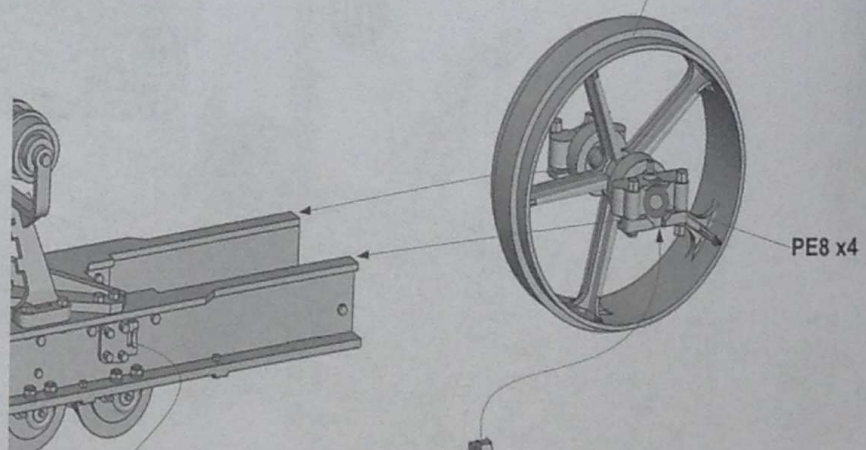
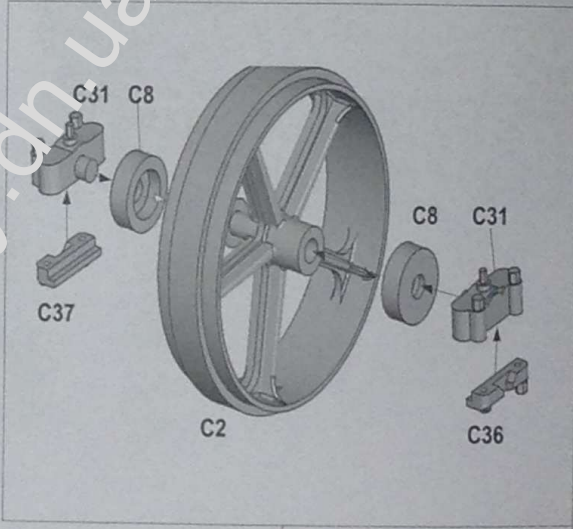
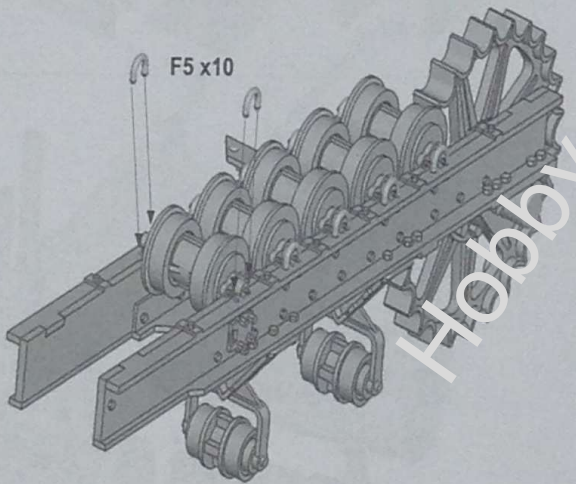
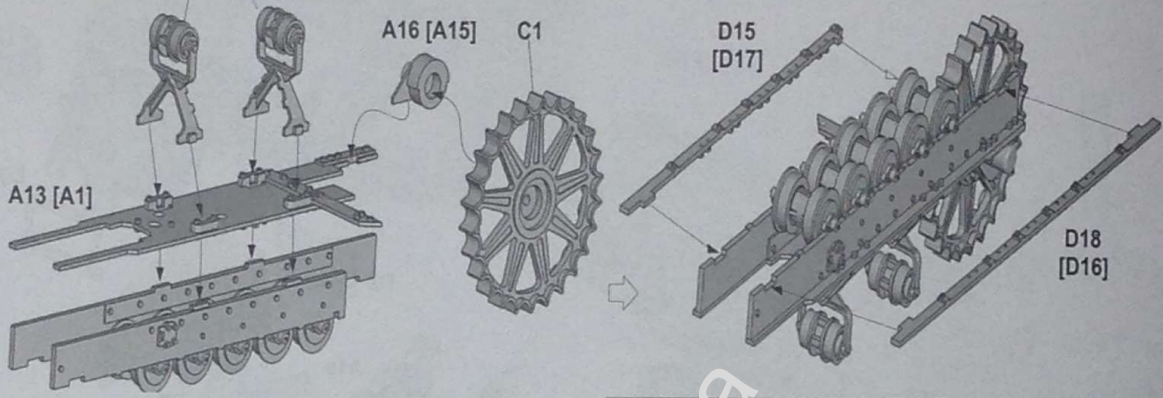
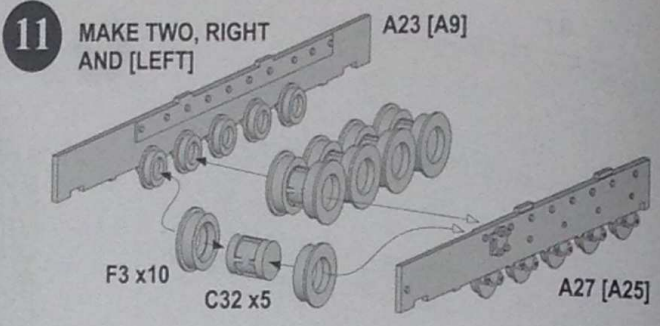
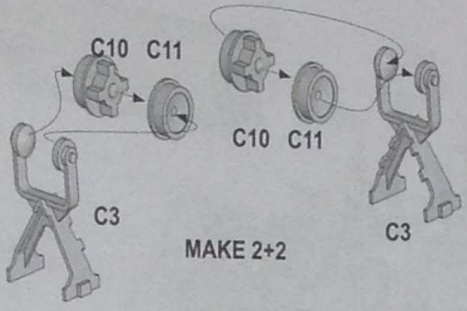
Hobby-dn.ua



5

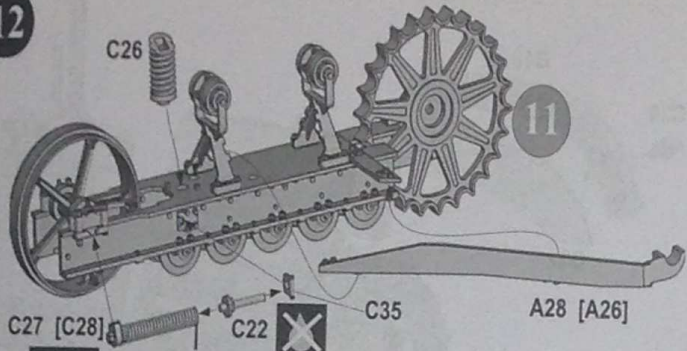


Hobby-dn.ua



CUT 1mm OF THE SPRING LENGTH FOR THIS KIT

12

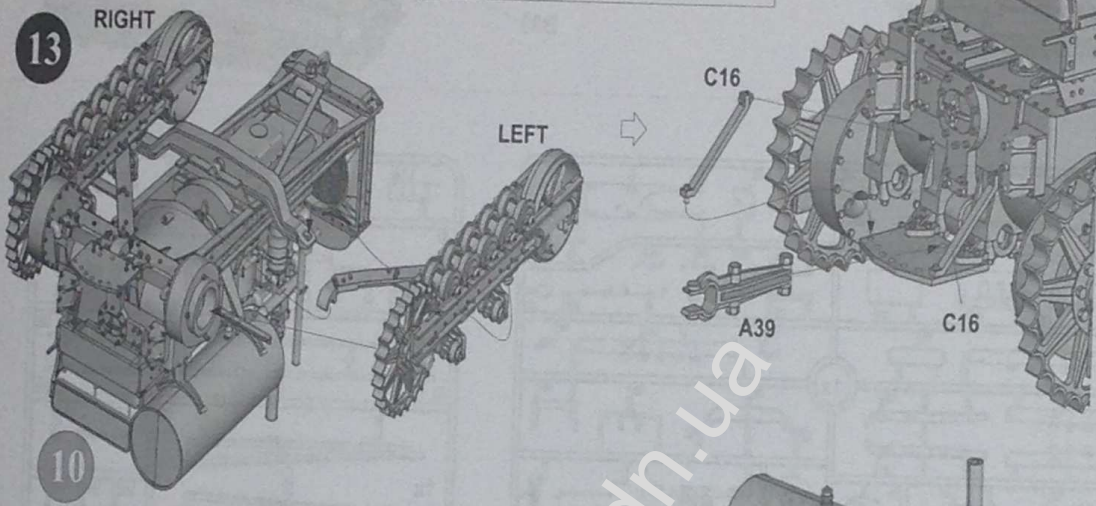


CUT 1mm OF THE SPRING LENGTH FOR THIS KIT

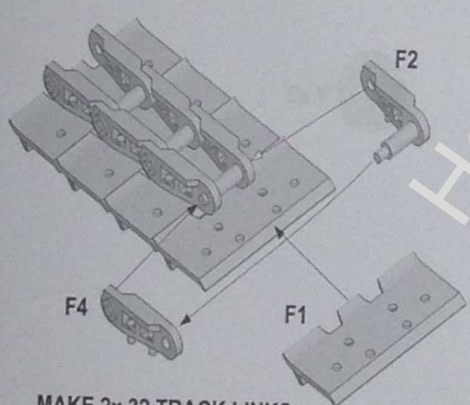
13

RIGHT

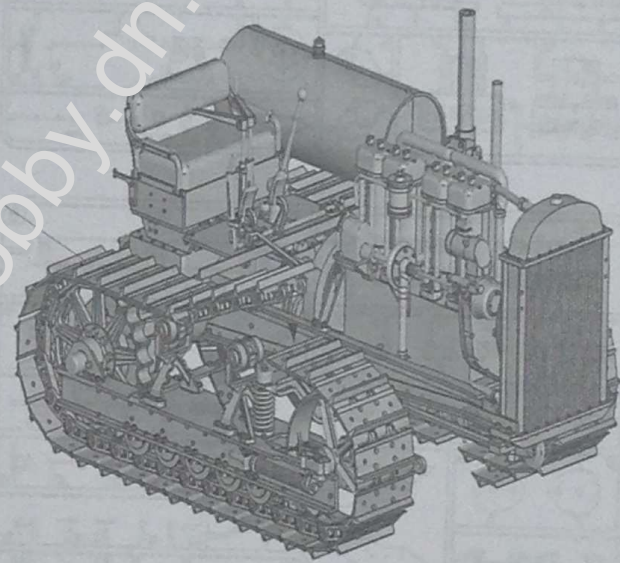
LEFT



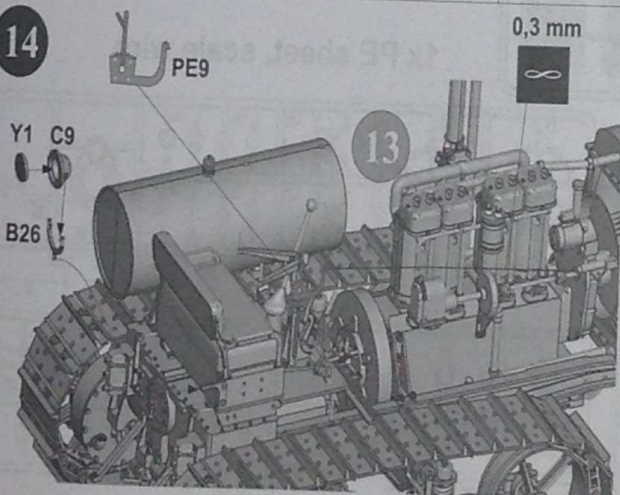
10



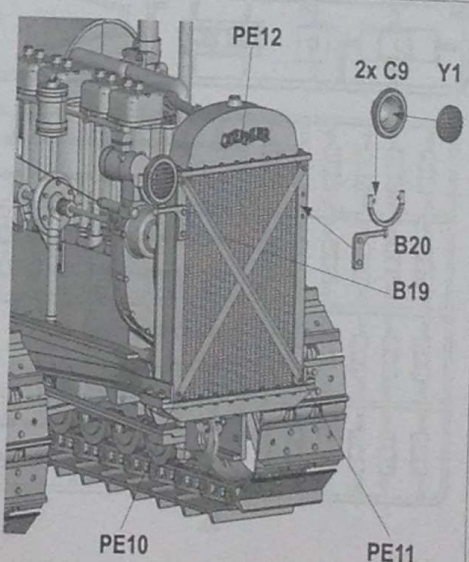
MAKE 2x 32 TRACK LINKS



14

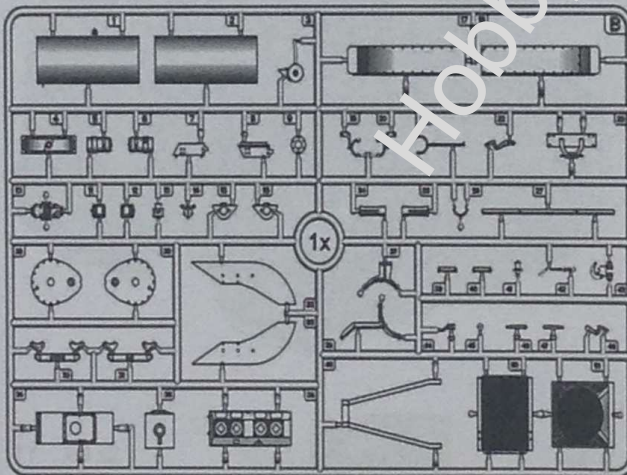
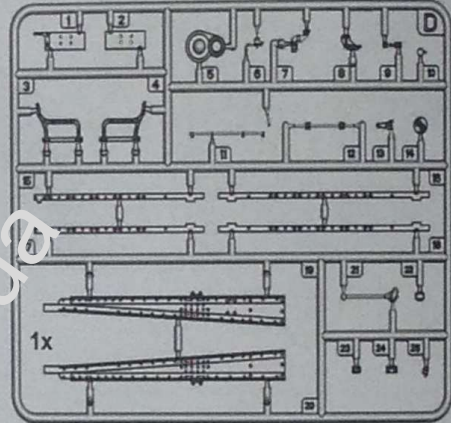
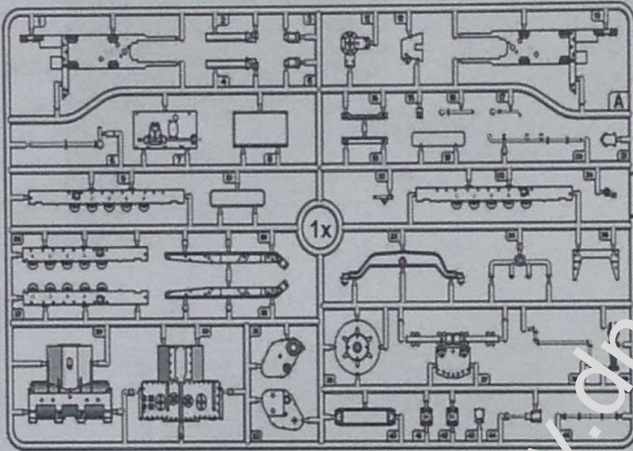
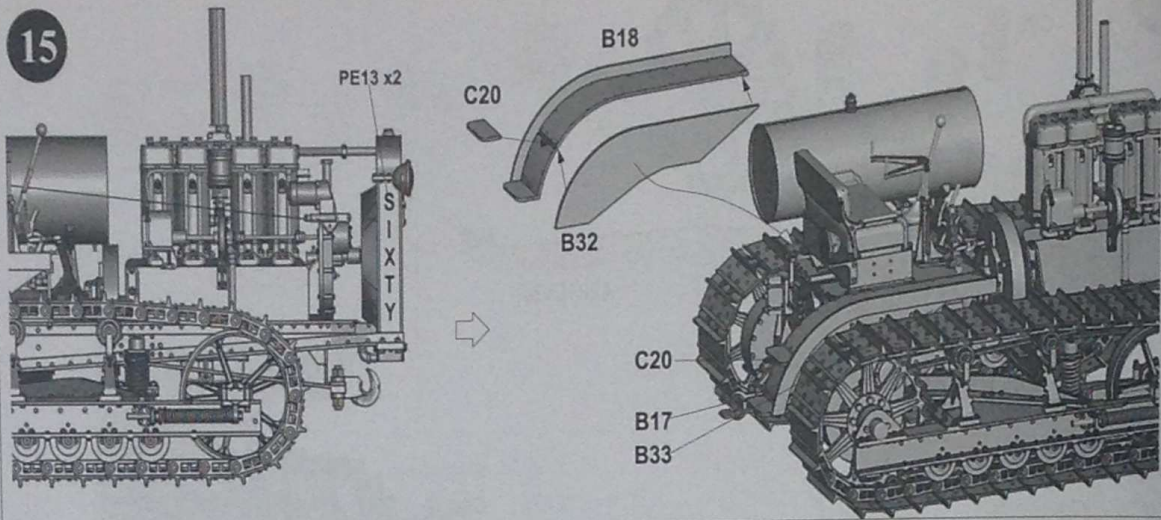


0,3 mm

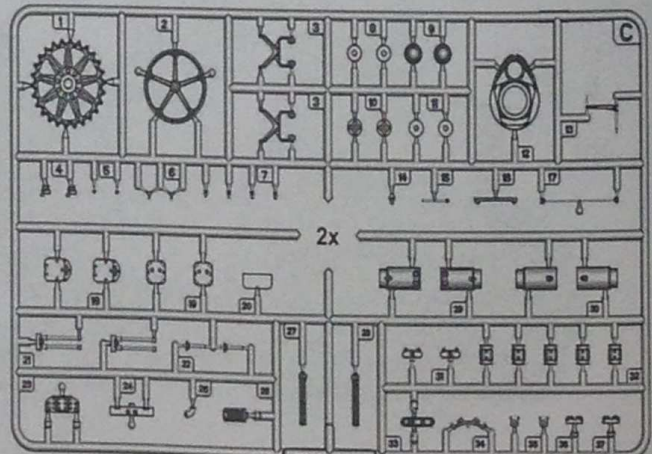
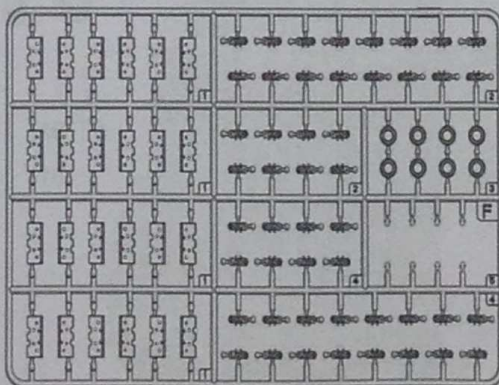




15



1x PE sheet, scale wire



3x

2x



www.migjimenez.com



# US CRAWLER "SIXTY"

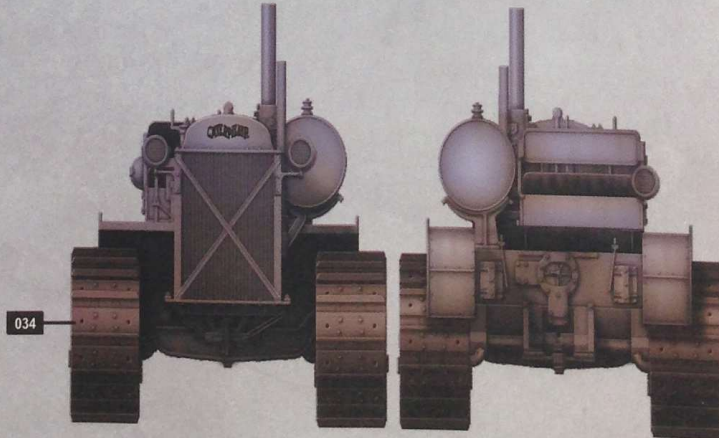
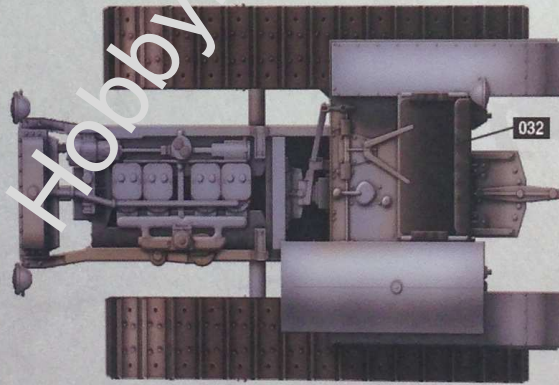
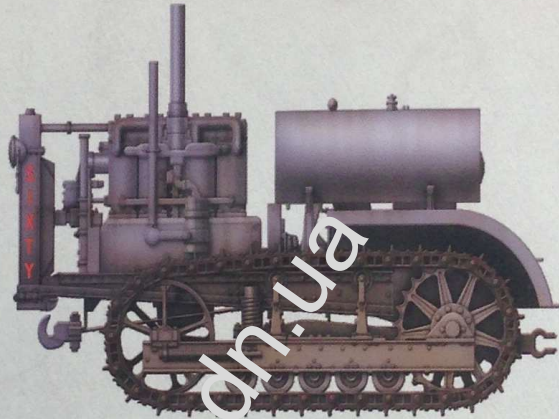
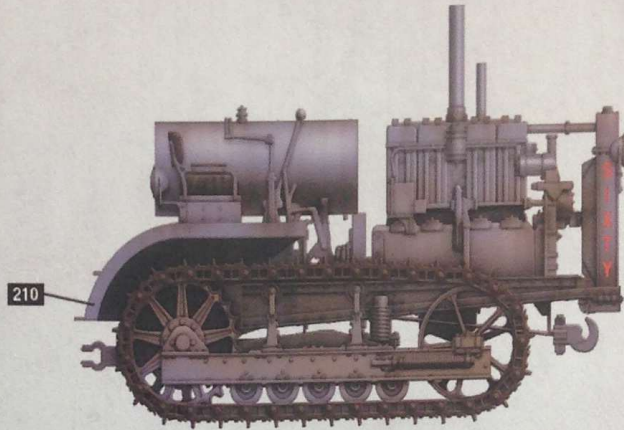
Ref: TM-35005

## Painting and Marking Guide

A.MIG 032 Satin Black

A.MIG 034 Rust Tracks

A.MIG 210 Blue Gray



### WEATHERING STEPS WITH AMMO PRODUCTS

**1 GENERAL WASH**

A.MIG-1006 Blue Wash for Panzer Grey

**2 FILTER**

A.MIG-1502 Dark Grey for White

**3 GREASE**

A.MIG-1408 Fresh Engine Grime

**4 DUST**

A.MIG-3013 Rubble

**5 MUD**

A.MIG-1704 Heavy Earth

**6 MUD SPLASHES**

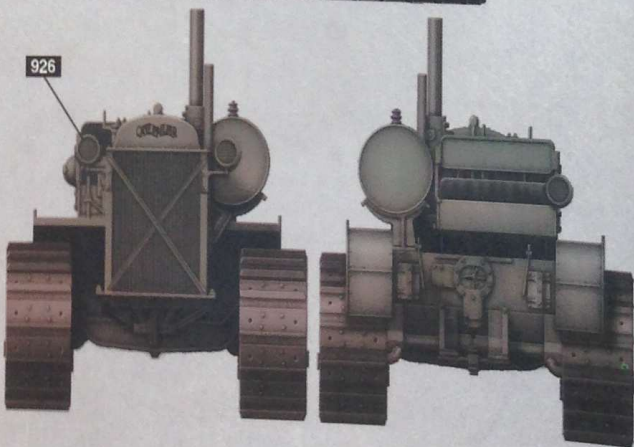
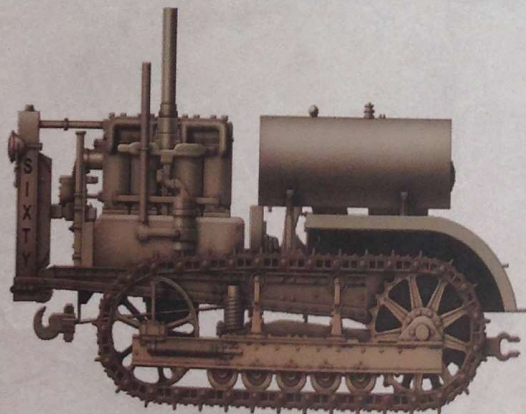
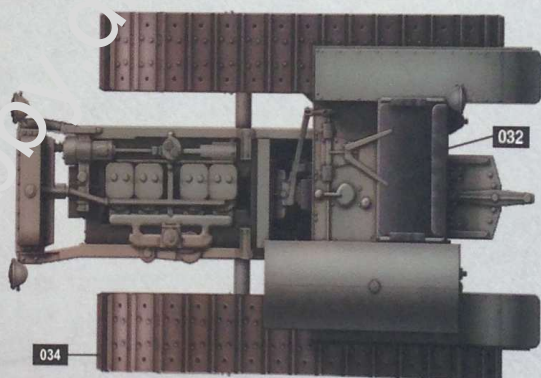
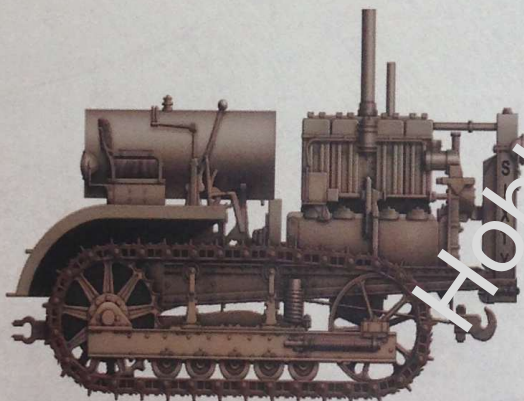
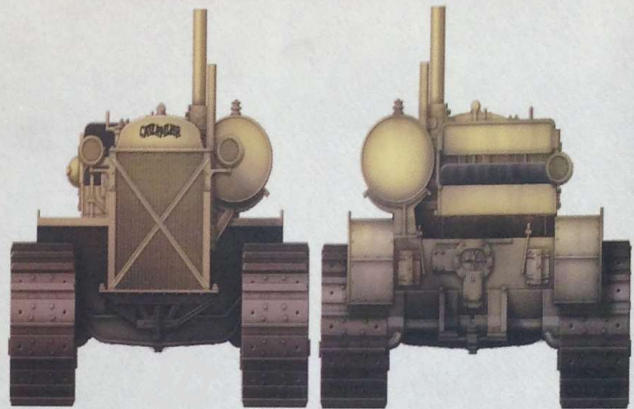
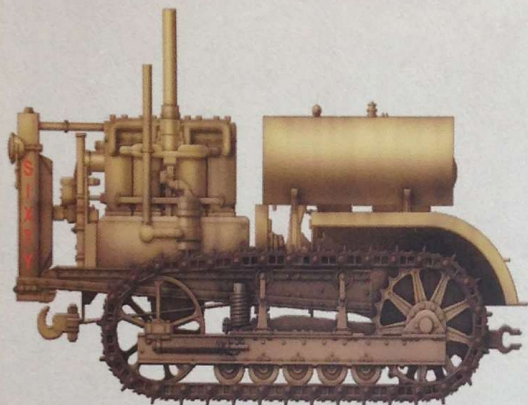
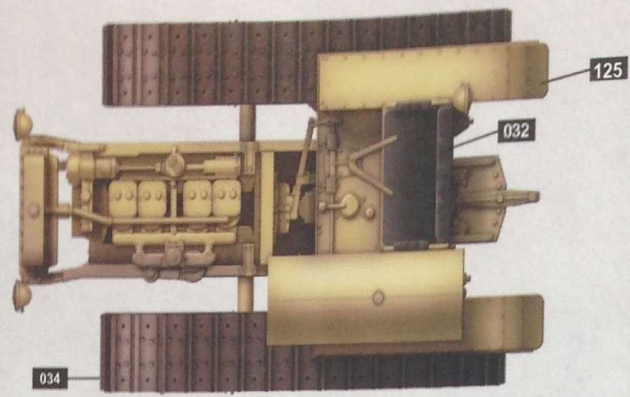
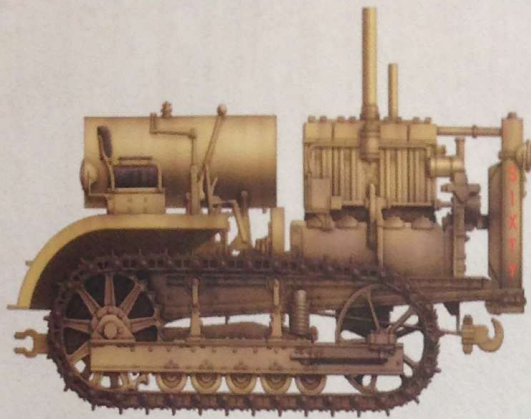
A.MIG-1753 Turned Dirt

A.MIG 032 Satin Black

A.MIG 034 Rust Tracks

A.MIG 125 Gold Yellow

A.MIG 926 Olive Drab Base



**WEATHERING STEPS WITH AMMO PRODUCTS**

- 1 GENERAL WASH**  
A.MIG-1001 Africa Korpe Wash
- 2 FILTER**  
A.MIG-1503 Ochre for Light Sand

- 3 GREASE**  
A.MIG-1408 Fresh Engine Grime
- 4 DUST**  
A.MIG-3002 Light Dust

- 5 MUD**  
A.MIG-1703 Moist Ground
- 6 MUD SPLASHES**  
A.MIG-1752 Loose Ground

- 1 GENERAL WASH**  
A.MIG-1005 Dark Brown for Green
- 2 FILTER**  
A.MIG-1508 Green for Gray Green

- 3 GREASE**  
A.MIG-1408 Fresh Engine Grime
- 4 DUST**  
A.MIG-3004 Europe Earth

- 5 MUD**  
A.MIG-1705 Wet Mud
- 6 MUD SPLASHES**  
A.MIG-1754 Damp Earth