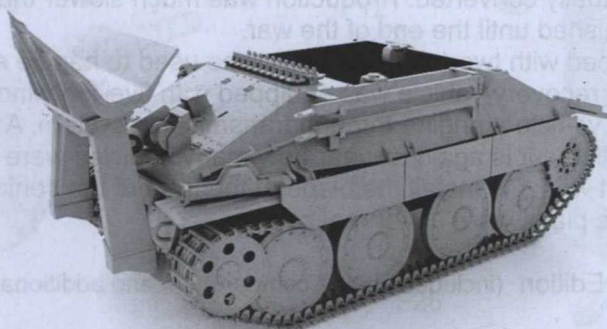


35100, 35101

產品編號 : 35100, 35101

scale 1/35

1:35 比例



1/35 German Bergepanzer Heizer Late

Go through this assembly guide and understand it before you start kit assembly
Use usual plastic kit's cements and tools (not included in the kit)
Follow painting guide supplied, use only hobby paints
Work carefully with photo etched parts if included, use C/A glues to assemble them

請您在組裝此產品前仔細閱讀組裝指南；
請使用通用塑膠模型黏合劑和工具(本產品不附帶)，
本產品所以提供的噴塗指南只適用本於模型；
如果本產品含有蝕刻套件，請小心仔細處理，請使用C/A膠水組裝；



cut/remove

切下 / 移除



drill hole

鑽孔



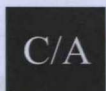
no glue

不適用膠水



bend

折彎



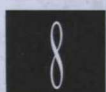
cyanoacrylate glue

氰基丙烯酸酯膠水



string or wire

細繩或者金屬絲線



rope

繩



painting area during assembly
recommended (ref. to AMMO colors)

裝配過程中的噴漆區域推薦
(請參考AMMO顏色)



PE - press rivets (lines)
from the etched off side

蝕刻片 -
請从蝕刻掉的一側压铆钉 (线)

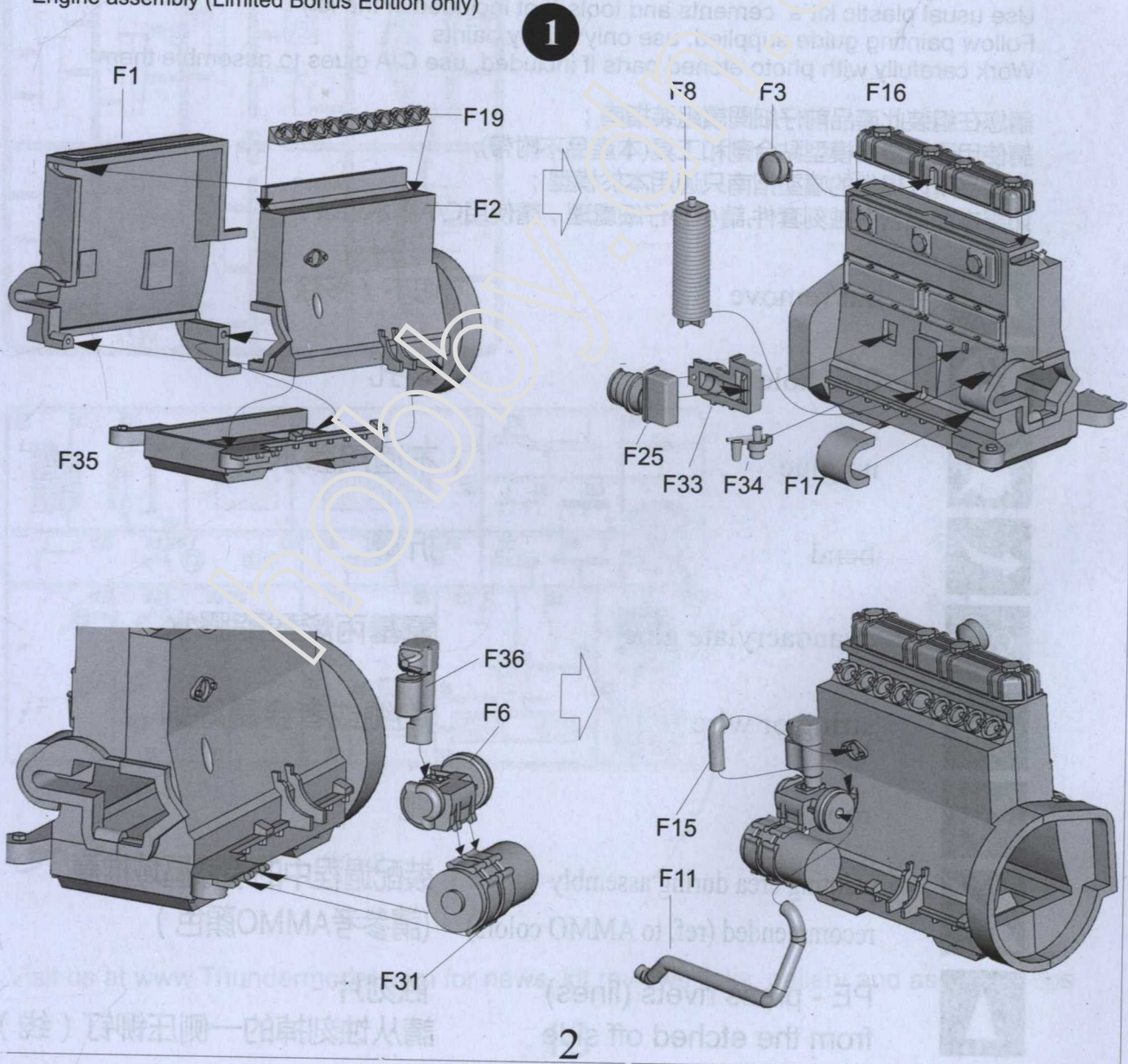
Bergerpanzer 38(t) was a recovery vehicle based on Hetzer's base, with lower open-top superstructure, manufactured by BMM company in Prague. The plans were approved in September 1944 and called for production of 170 vehicles until the end of 1944. In fact just 101 vehicles were built. To meet the production plans it was decided to convert 64 summer production's Hetzers into armoured recovery vehicles, but it is unknown how many were actually converted. Production was much slower than plans, and total number of about 180 vehicles was finished until the end of the war.

The Bergepanzer was equipped with two-ton folding jib crane used to handle engines and other heavy components. Additionally the recovery vehicle was equipped with five-ton winch of Baumgarten company. The winch was driven by the vehicle's engine through transmission system. At the end a blade was installed at the rear of the hull, but it is again unclear how many vehicles were equipped with it. There were also some development works to install the blade at the front of the vehicle, as seen in the company blueprints, but probably these plans were never realized.

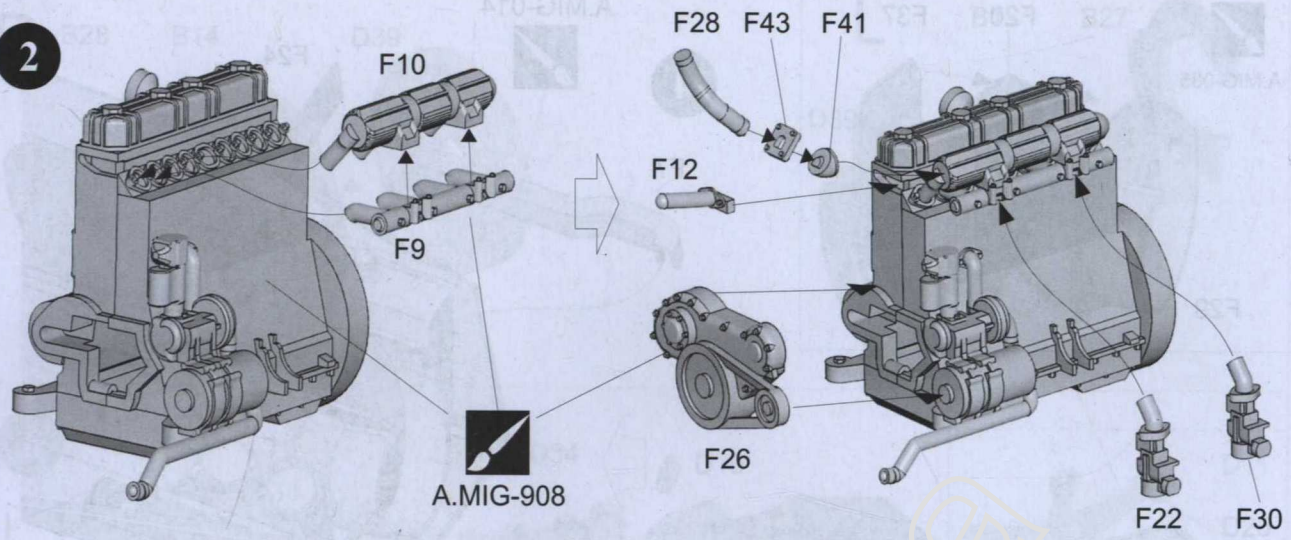
Kit TM35100 Limited Bonus Edition (includes engine compartment and additional PE set mudguards, skirts)

Kit TM35101 Standard edition (excludes engine compartment, mudguards and skirts molded in plastic)

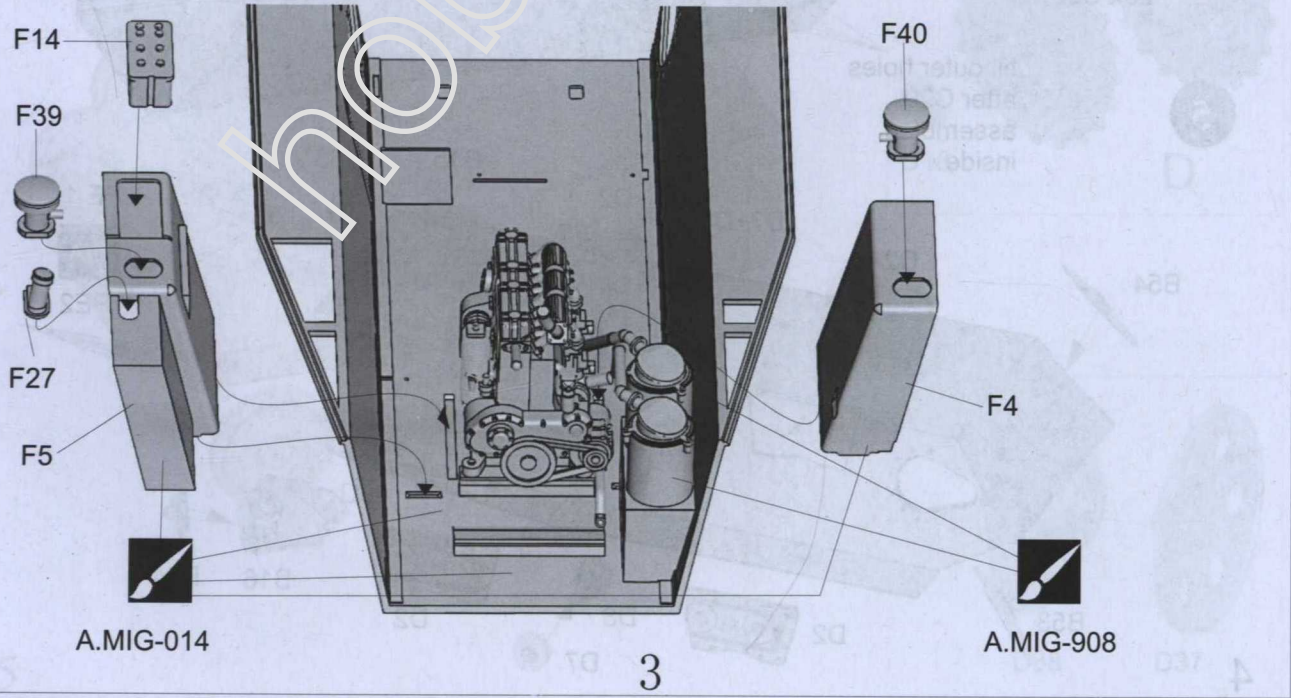
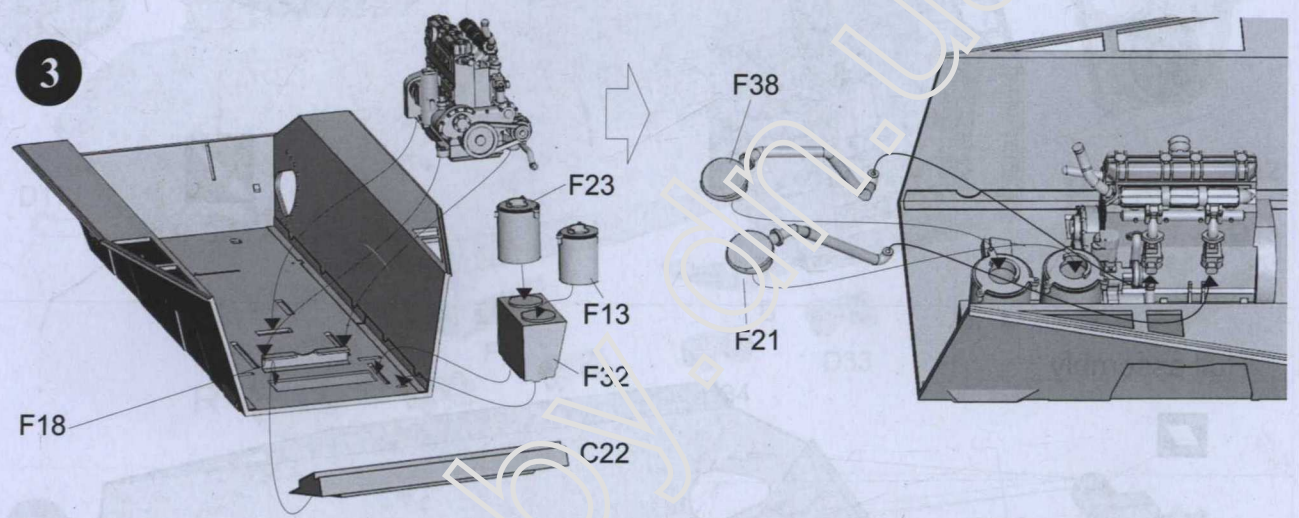
Engine assembly (Limited Bonus Edition only)



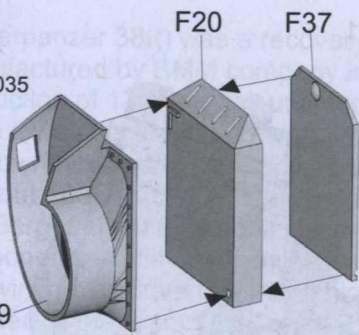
2



3

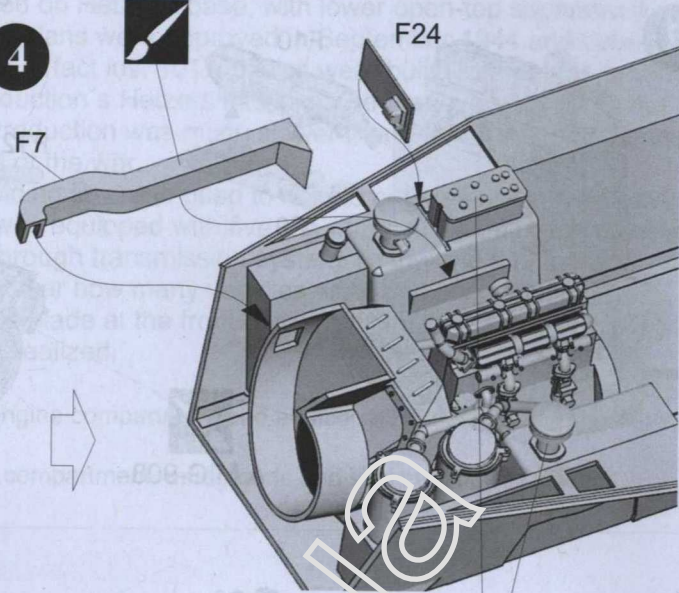


A.MIG-035

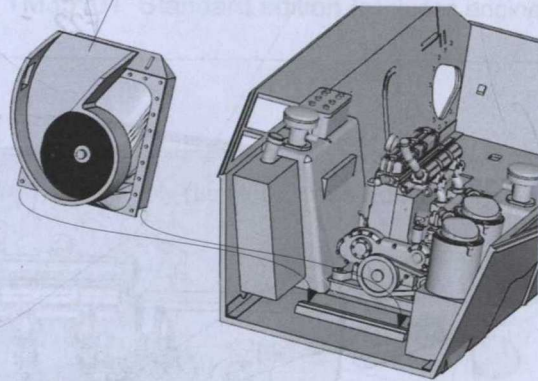


4

A.MIG-014



A.MIG-908

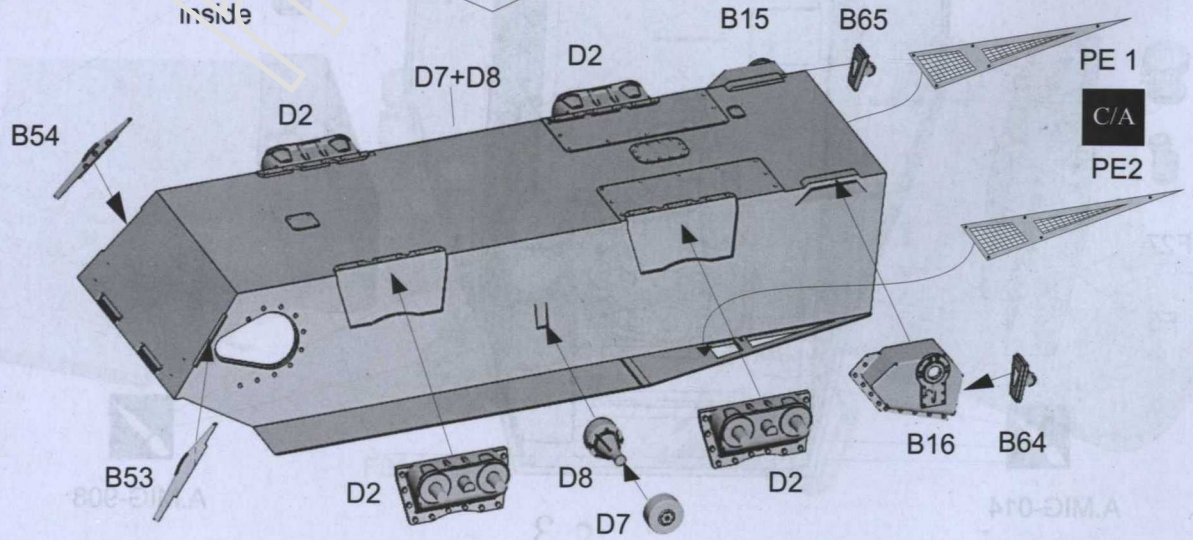
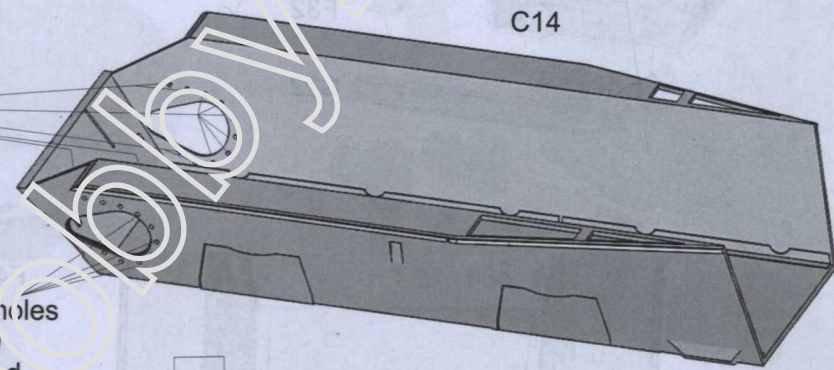


Hull assembly



5

fill outer holes after C20 assembled inside



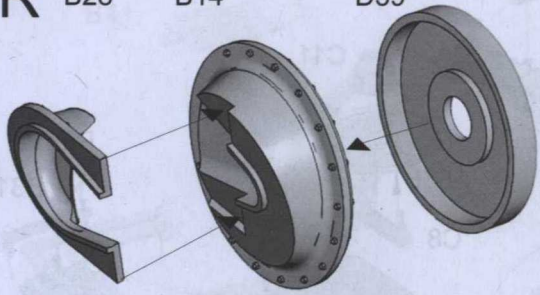
4

R

B28

B14

D39

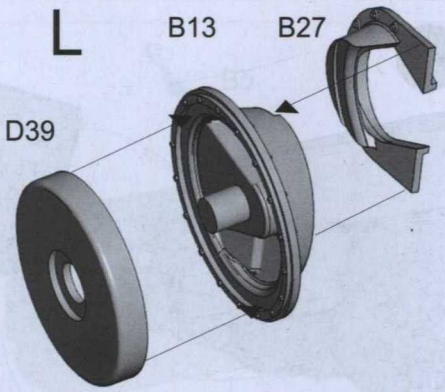


L

B13

B27

D39



6

L

F

D33

D34

D33

B

D34

D19

D17

R

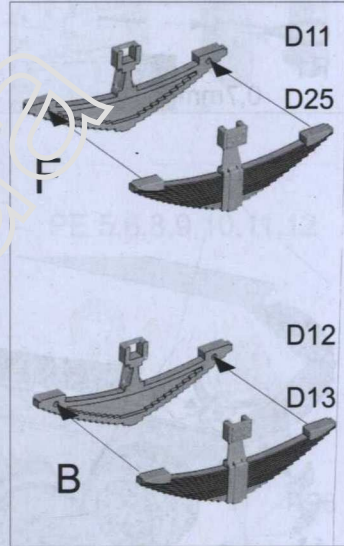
D34

D33

D34

D33

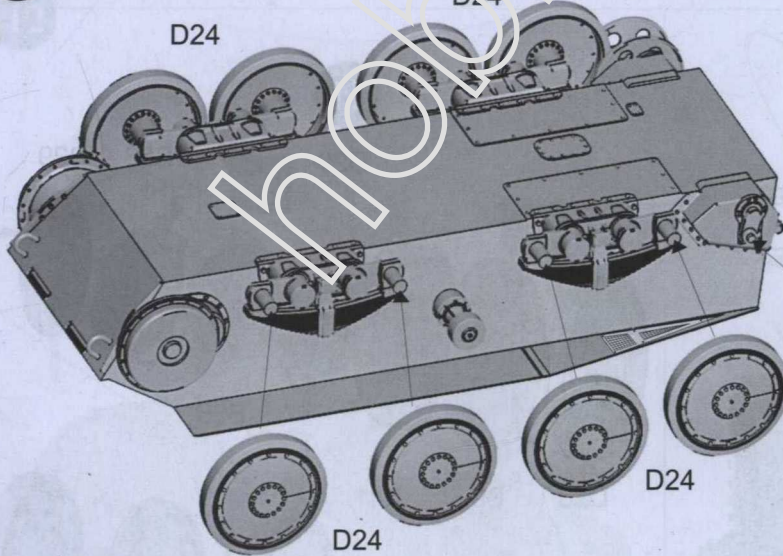
D19



7

D24

D24

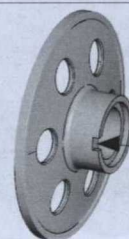
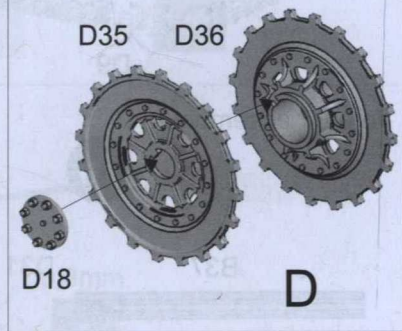


D35

D36

D18

D

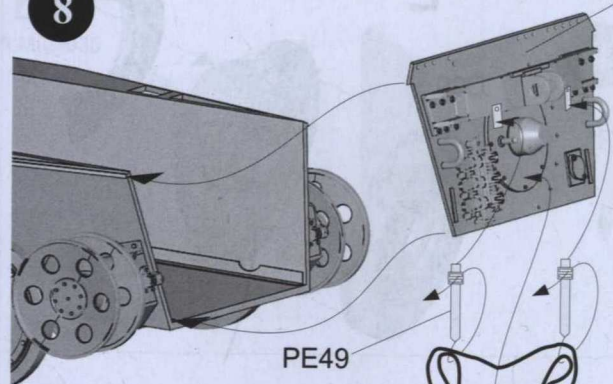


D38

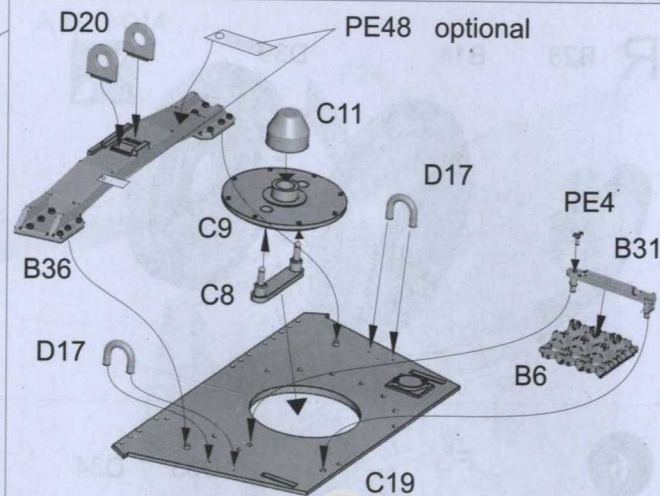
D37

5

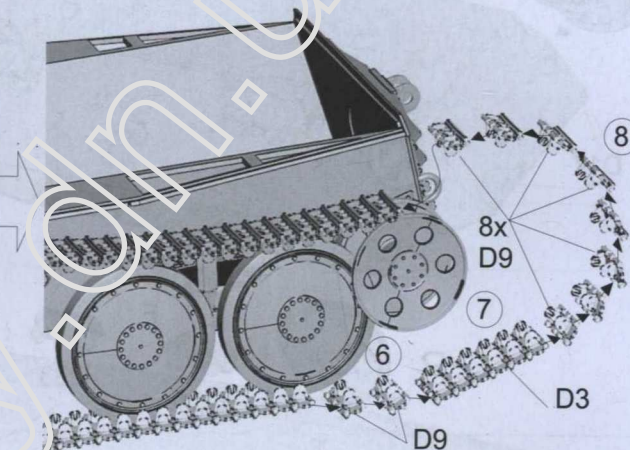
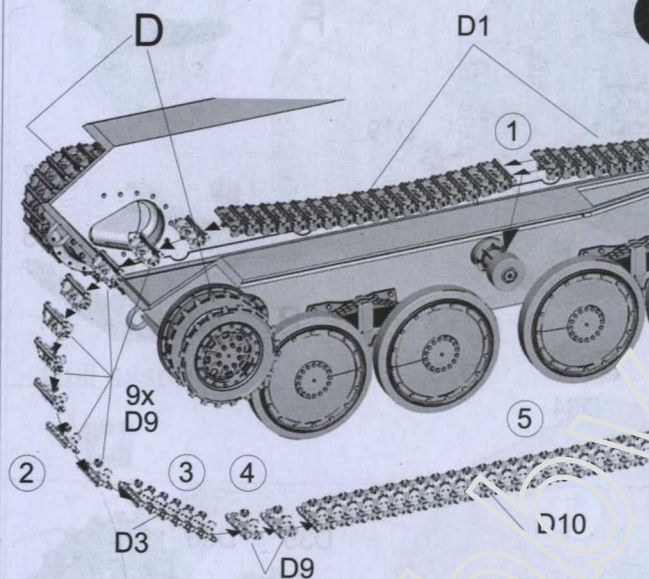
8



optional rear cable

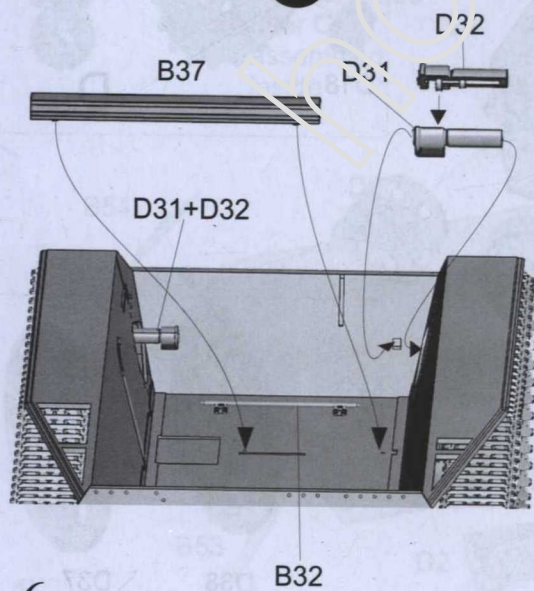


9



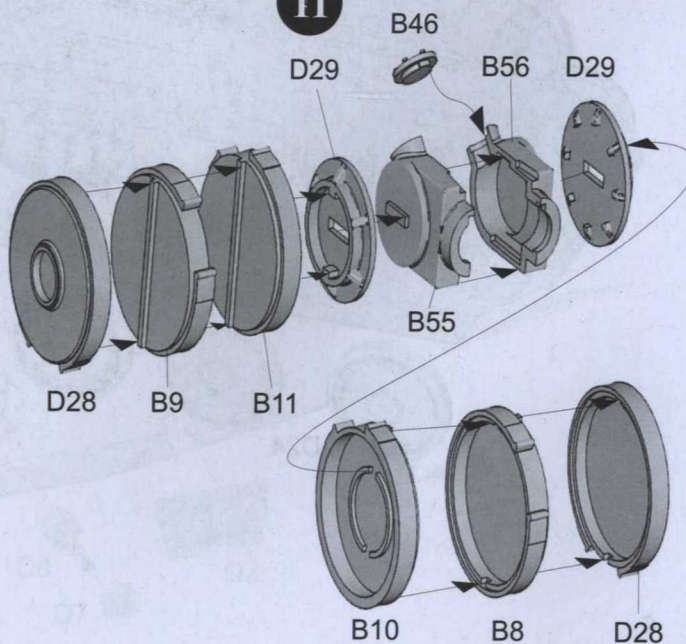
Interior assembly

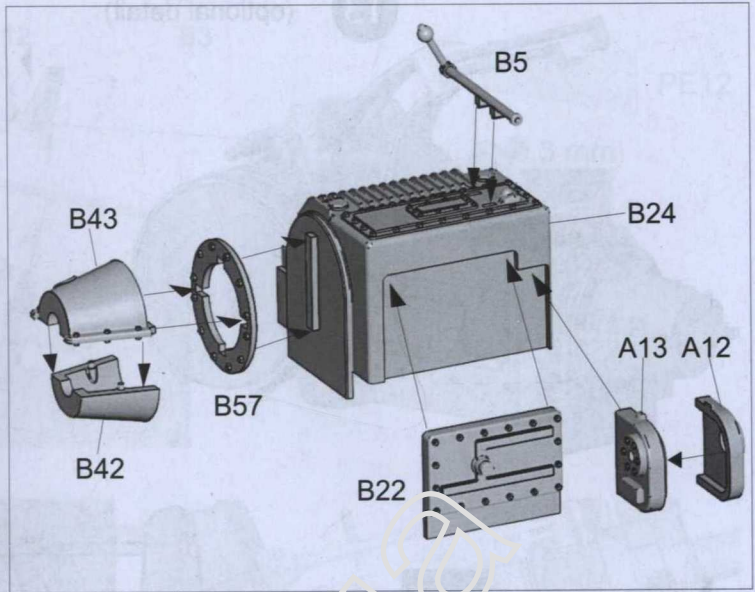
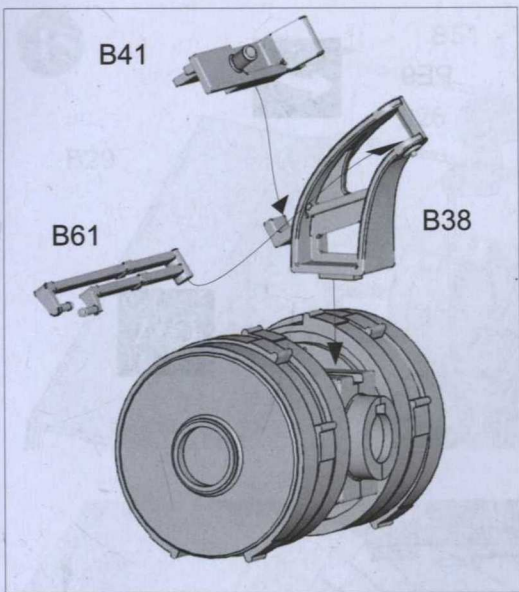
10



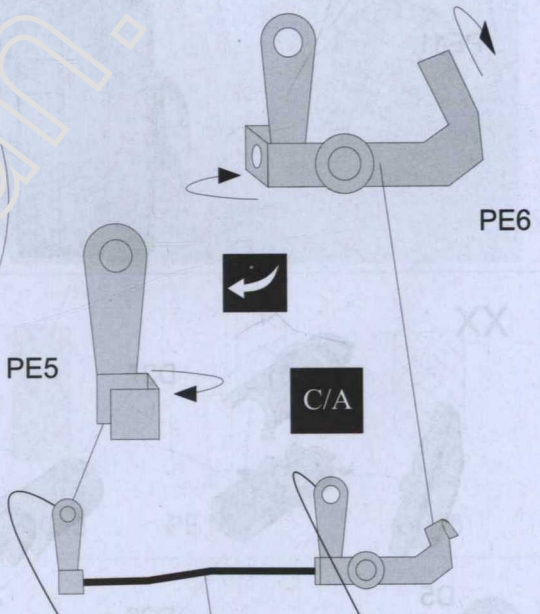
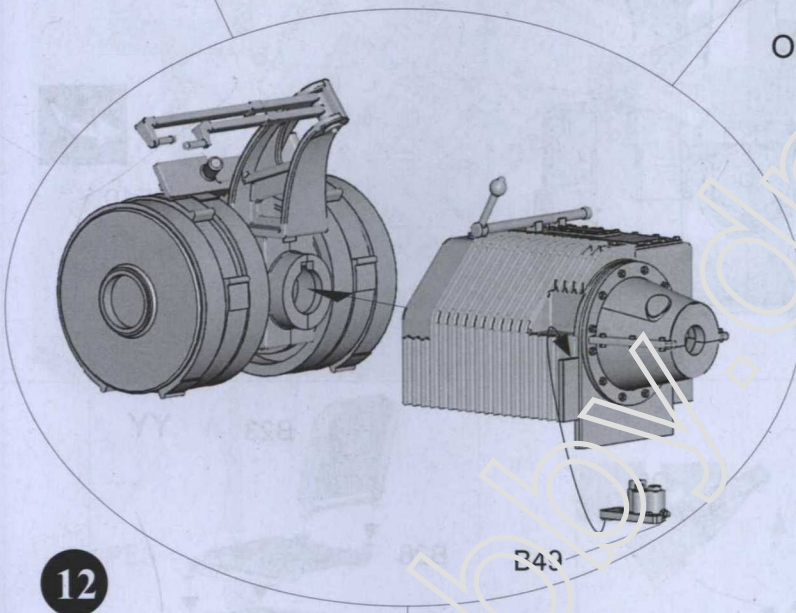
6

11

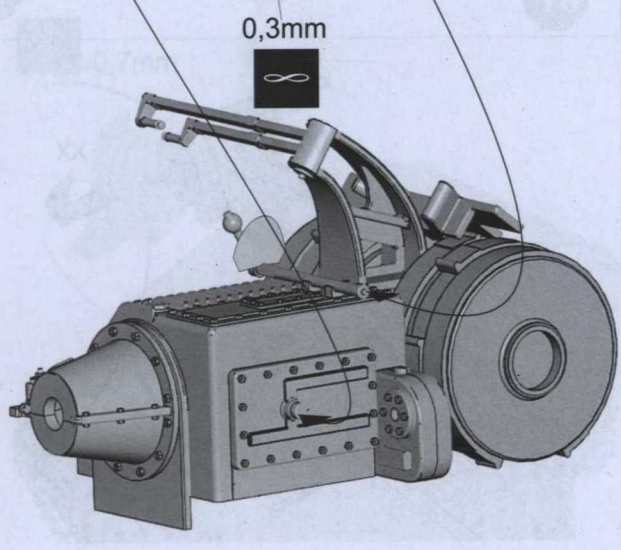
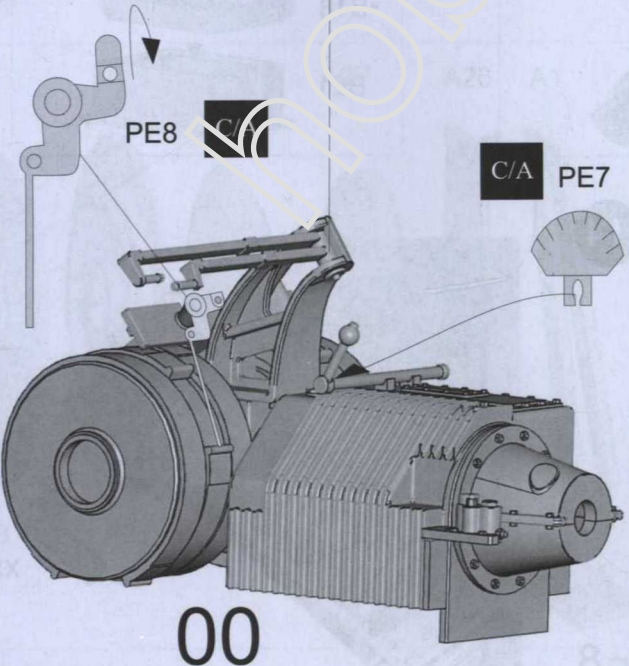




Optional detail PE 5,6,8,9,10,11,12



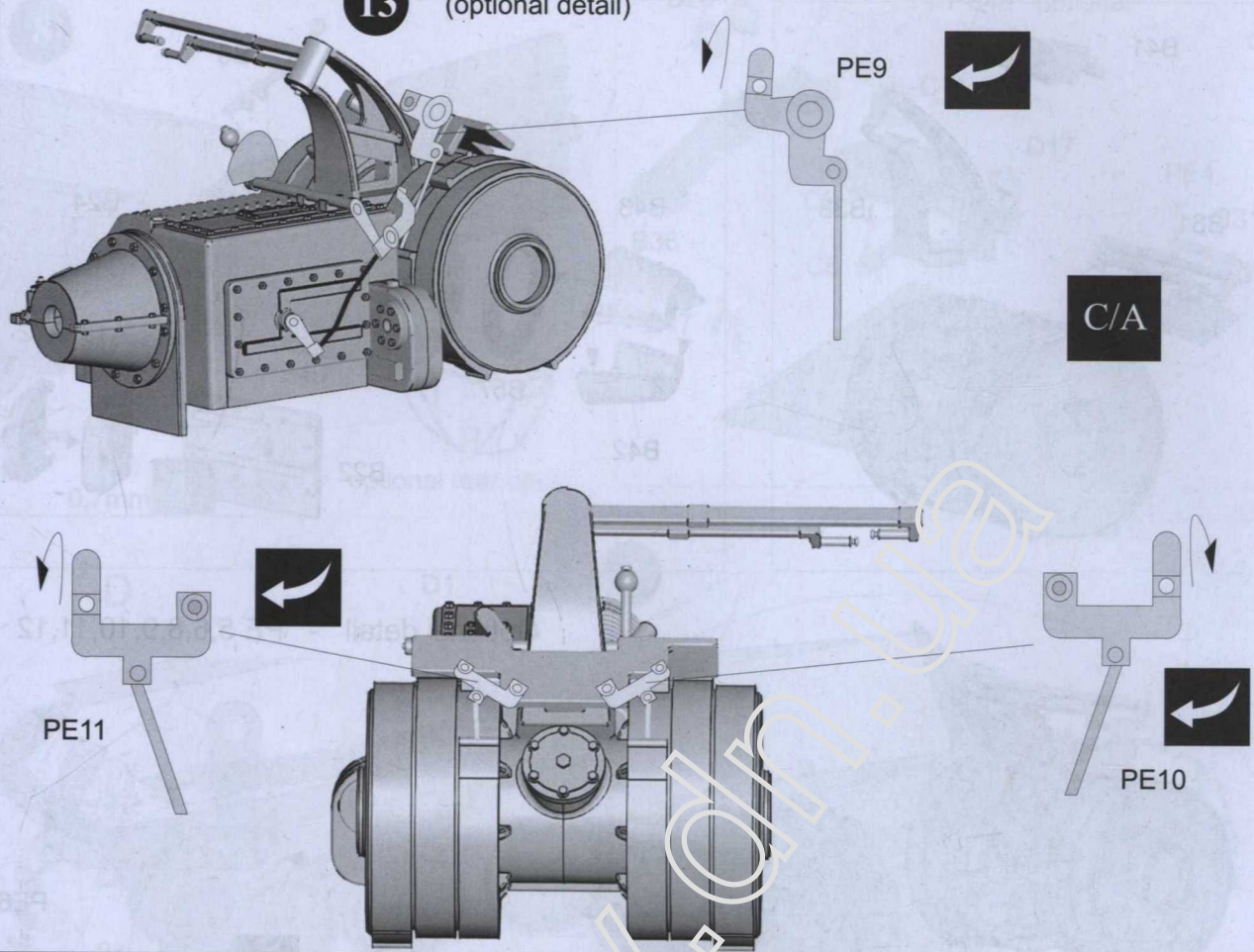
12



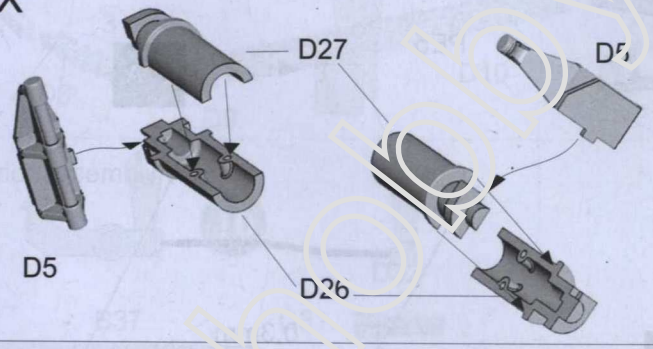
7

00

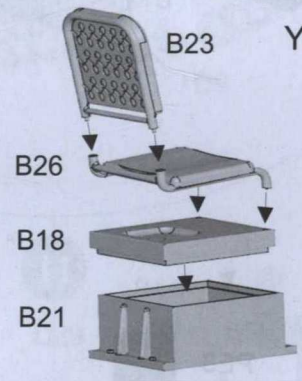
13 (optional detail)



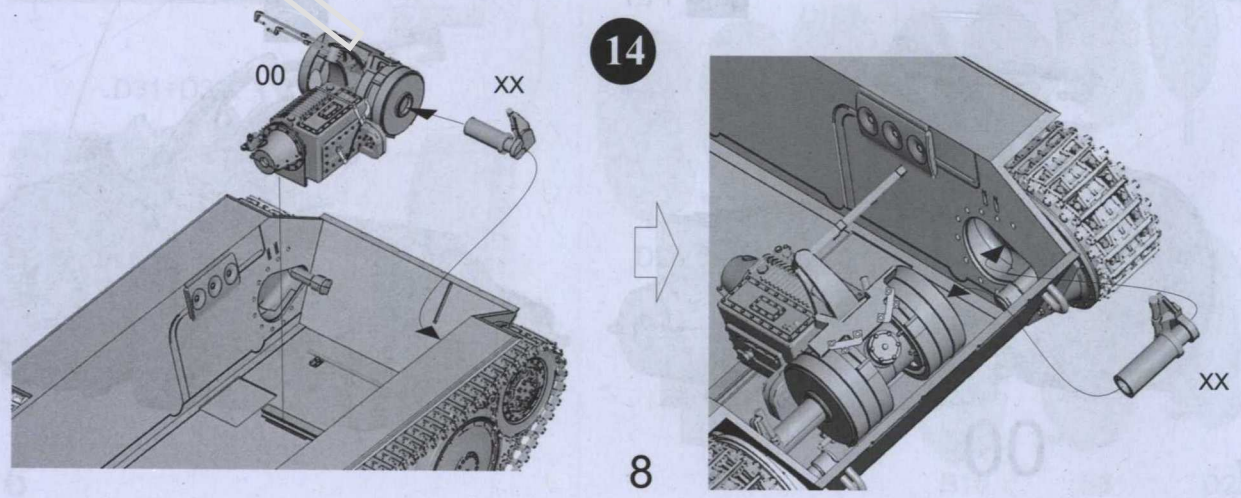
XX



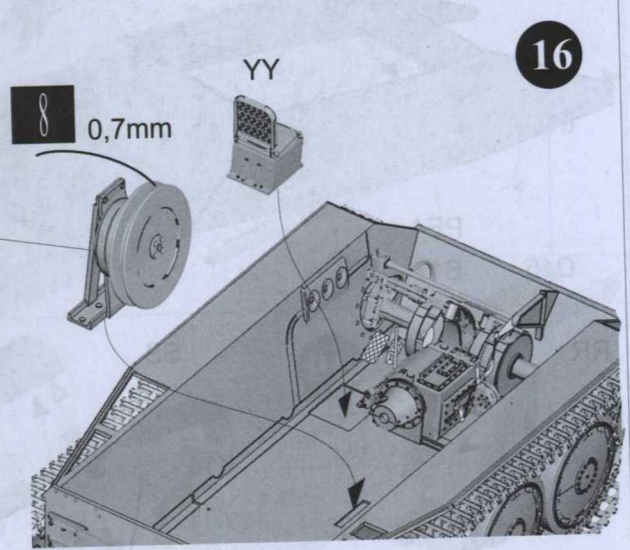
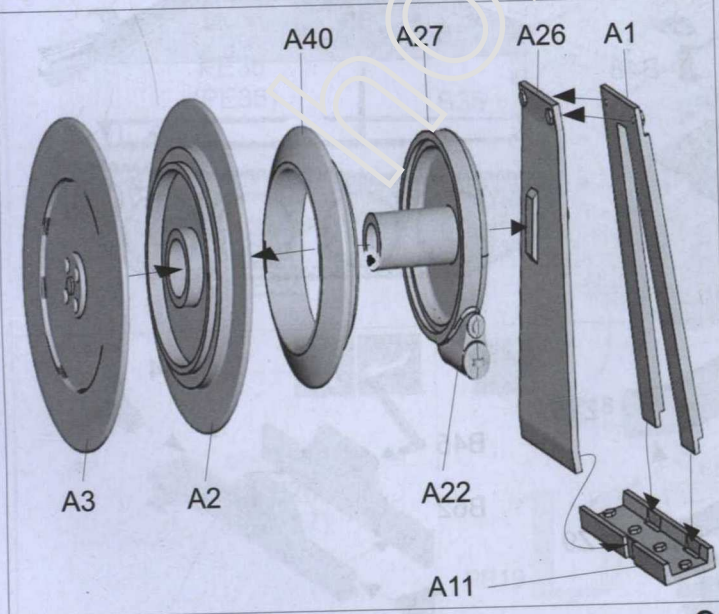
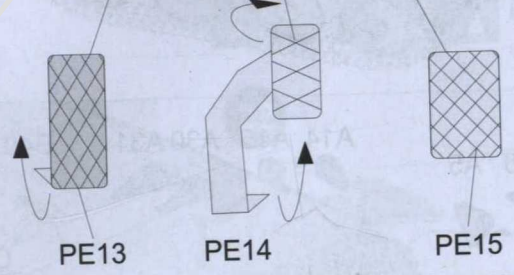
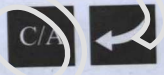
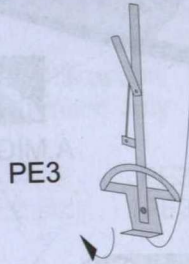
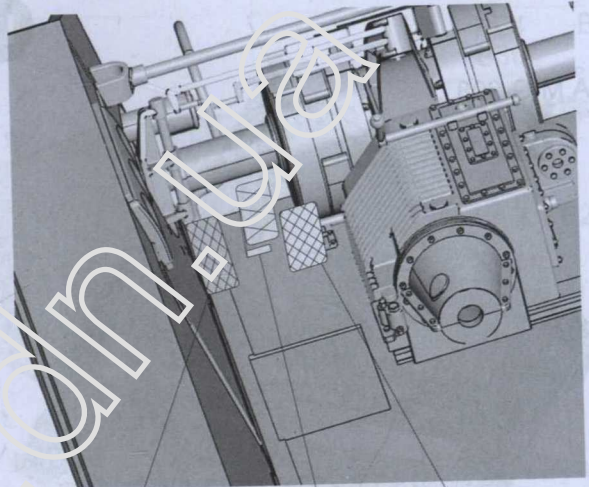
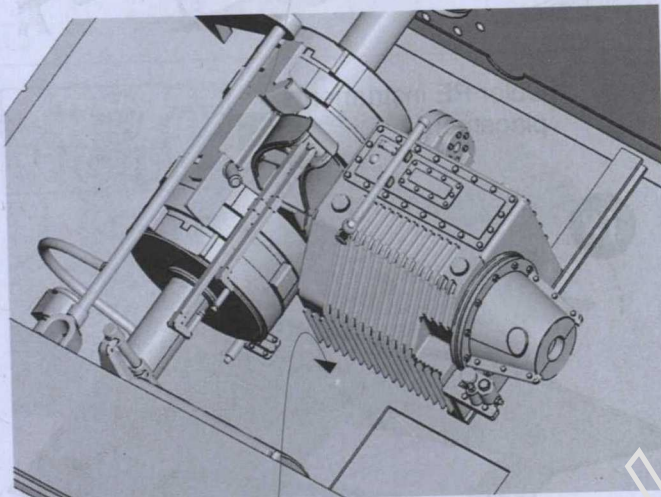
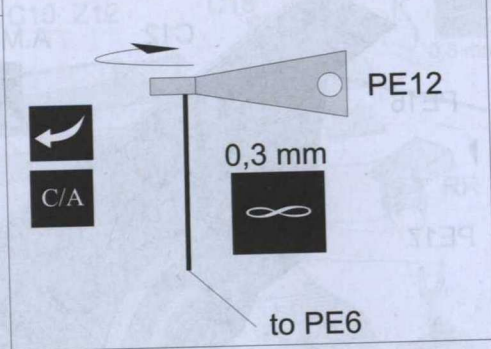
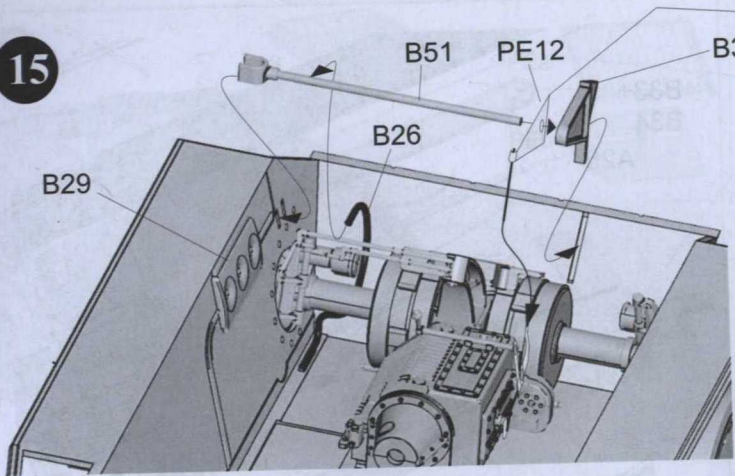
YY



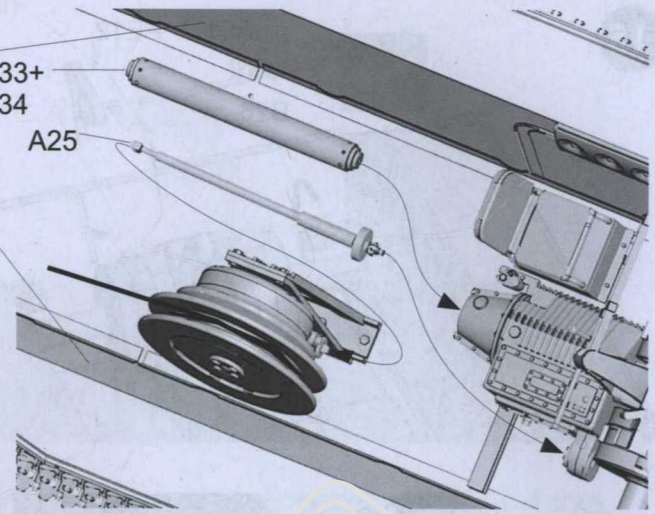
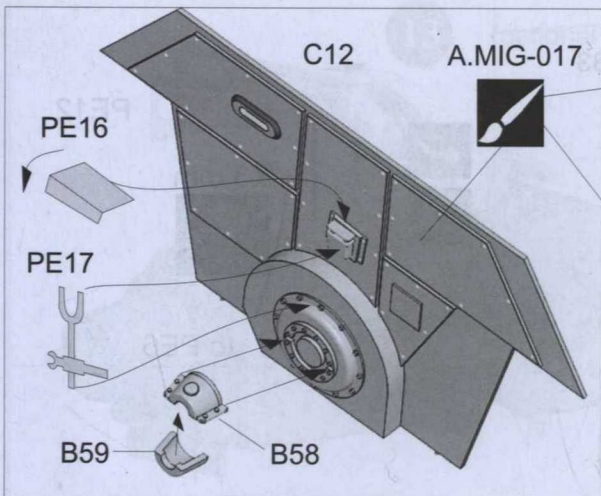
14



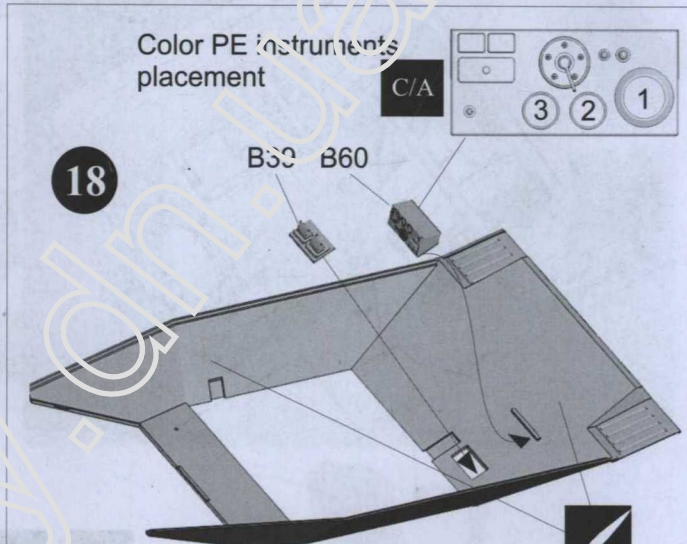
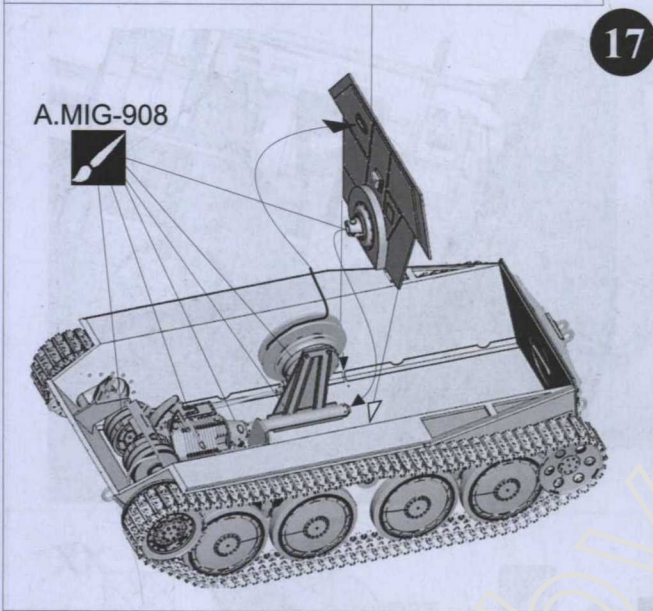
15



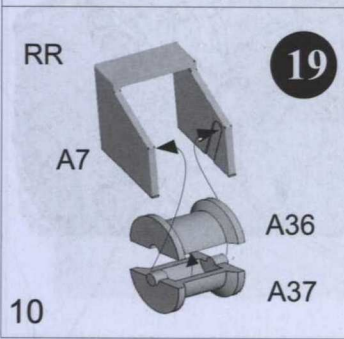
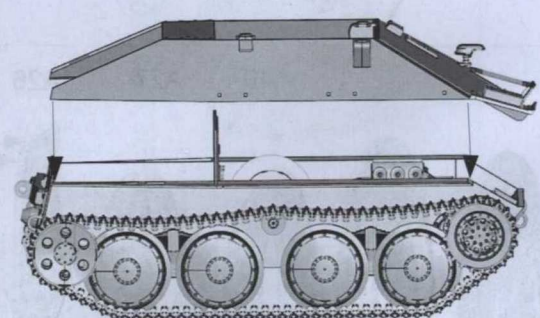
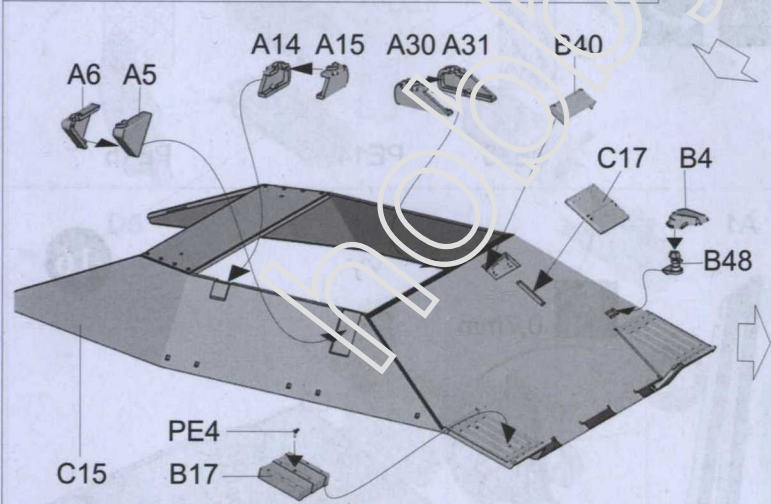
16



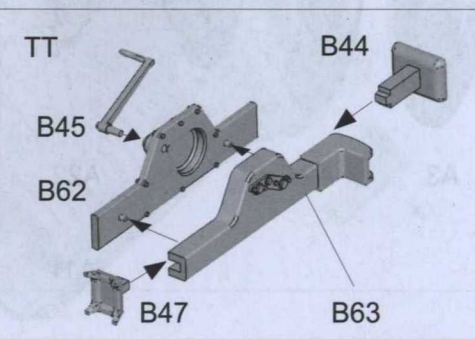
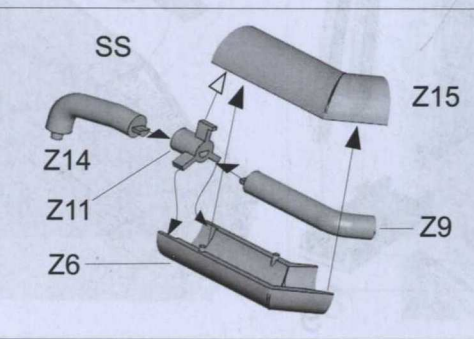
17



18

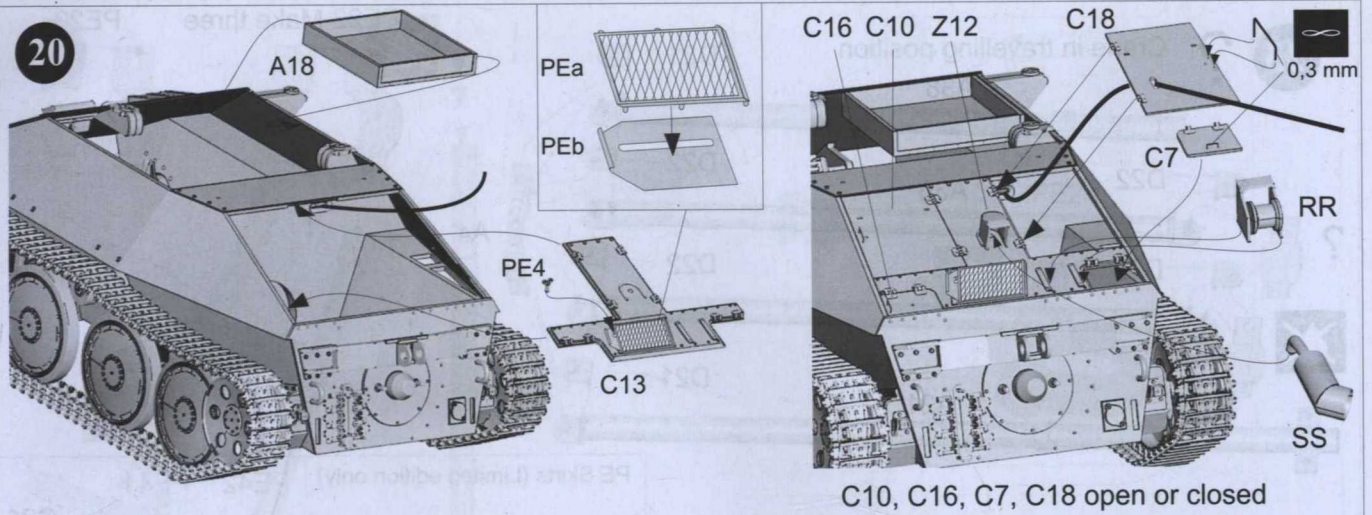


19

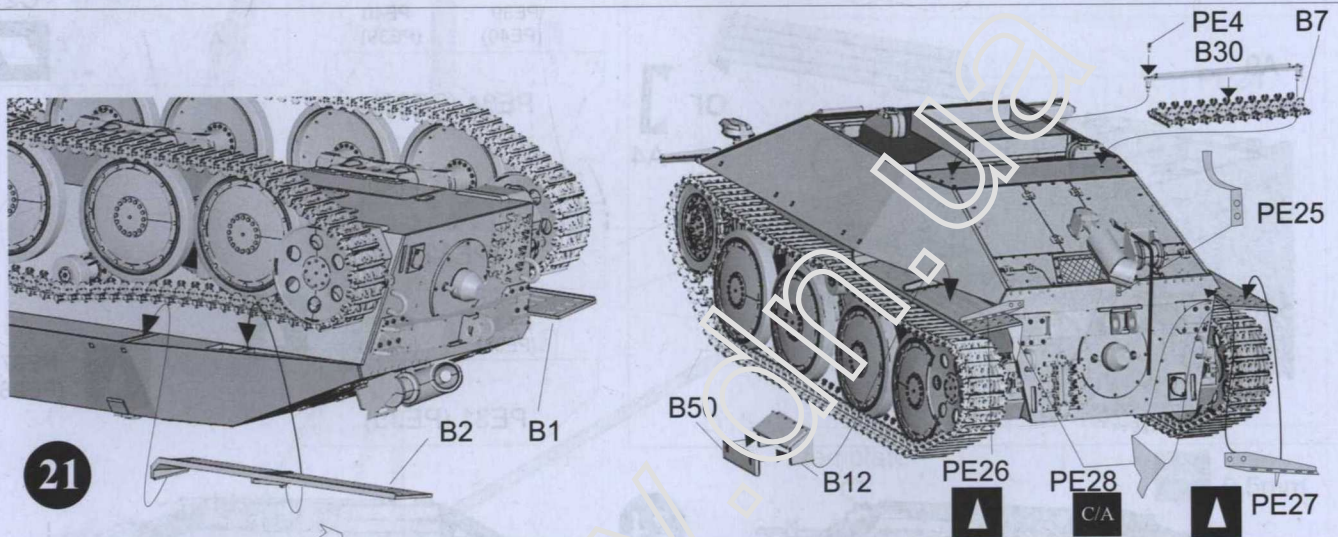


10

20

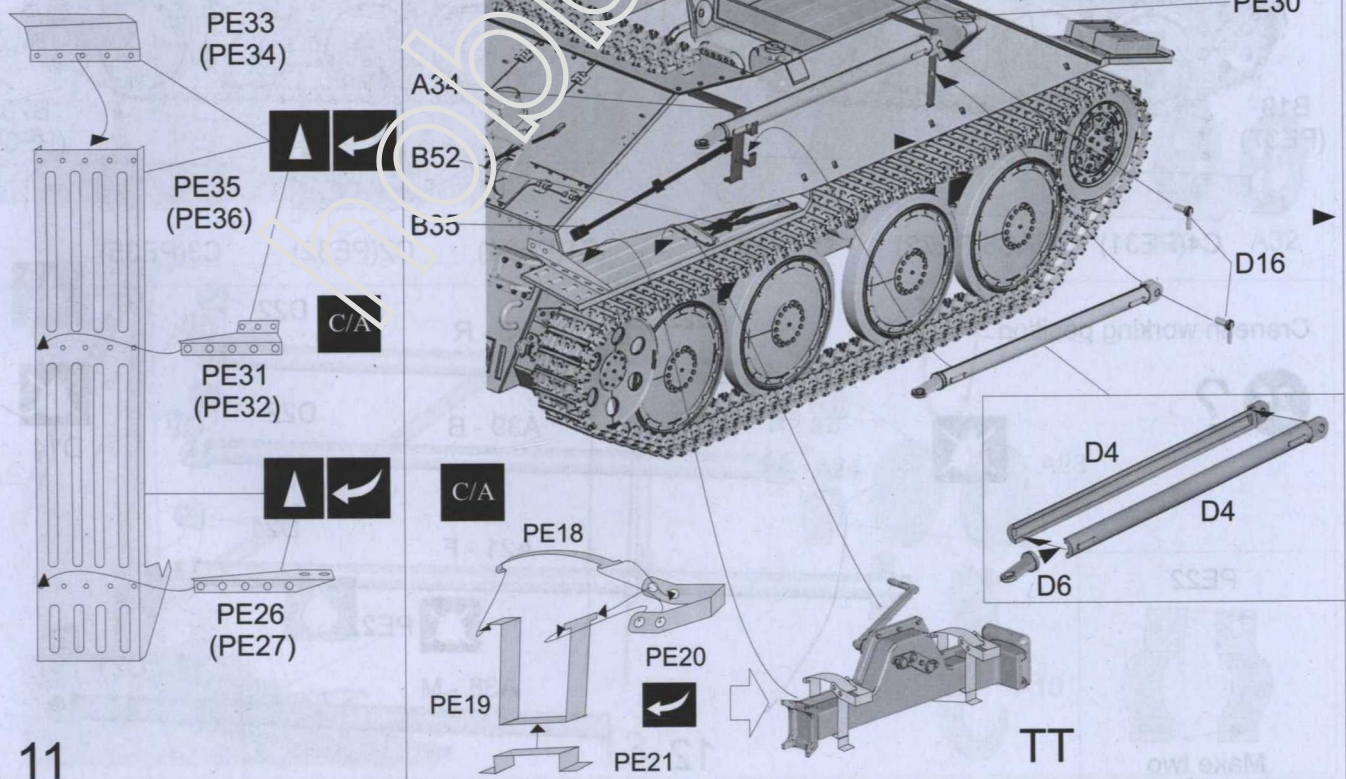


21



B1, B2 PE option
Limited Edition only

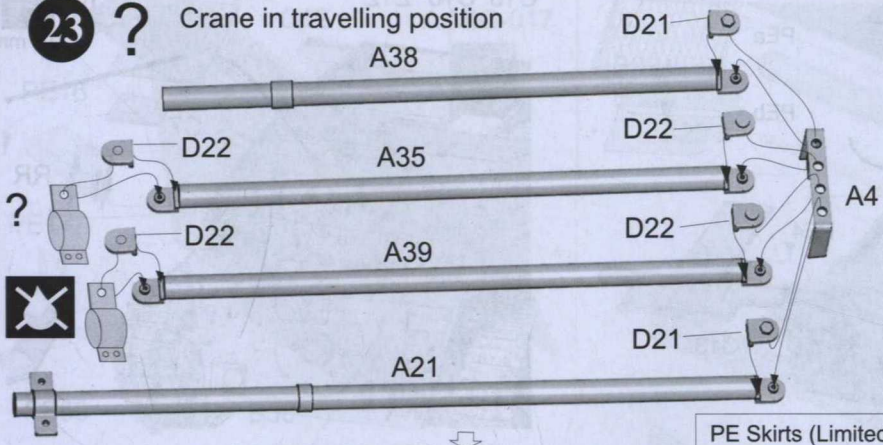
22



11

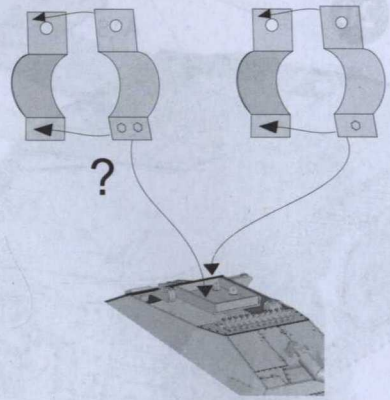
23 ?

Crane in travelling position

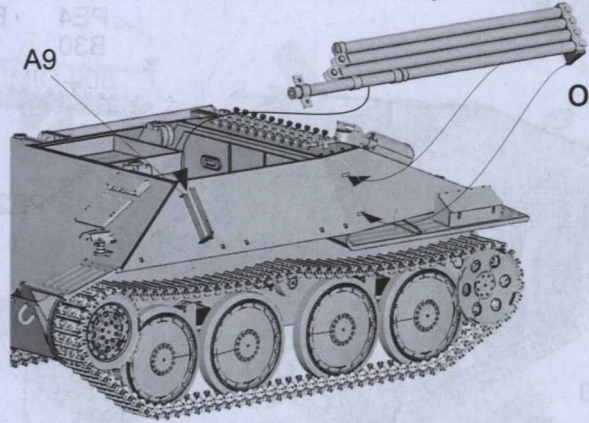


PE22 Make three

PE23

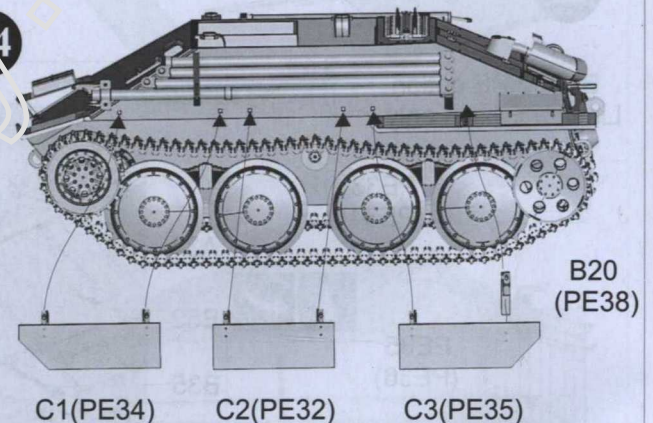
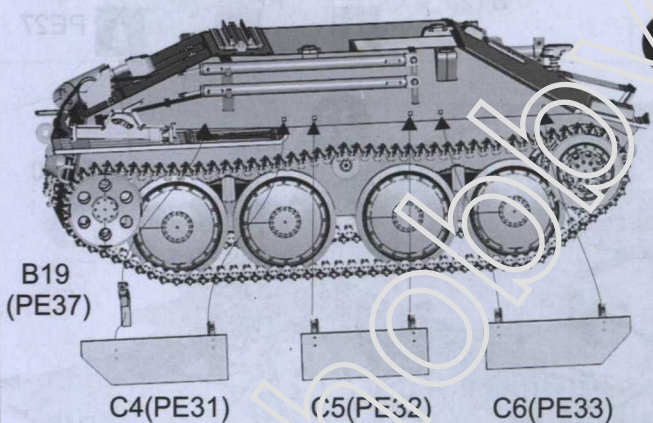
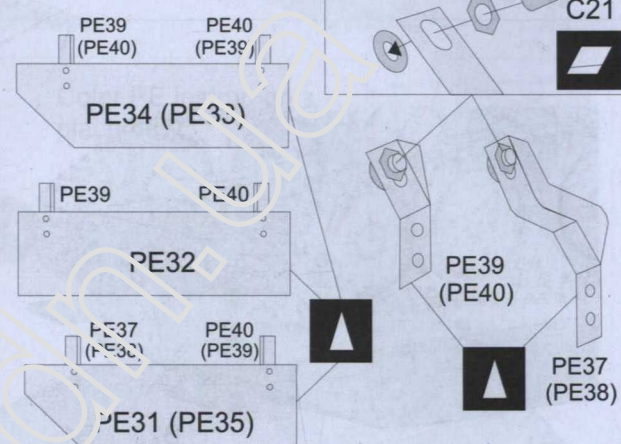


A9



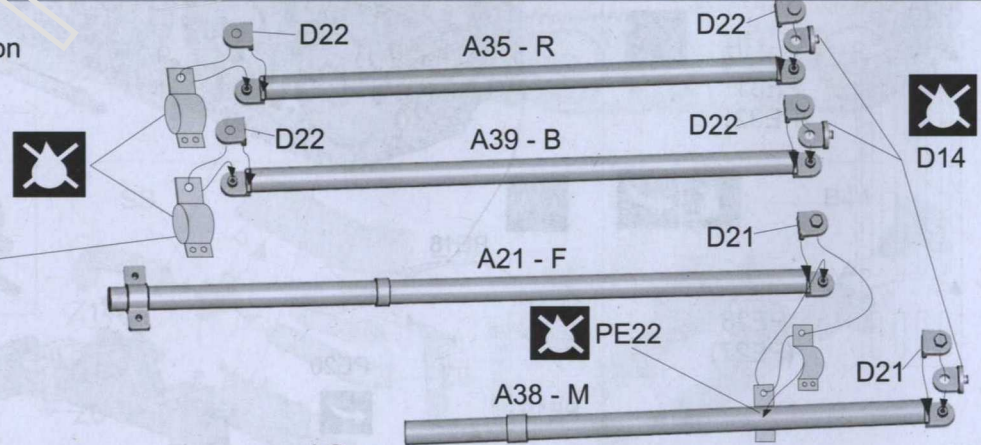
PE Skirts (Limited edition only)

PE42 PE41

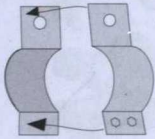


Crane in working position

25 ?



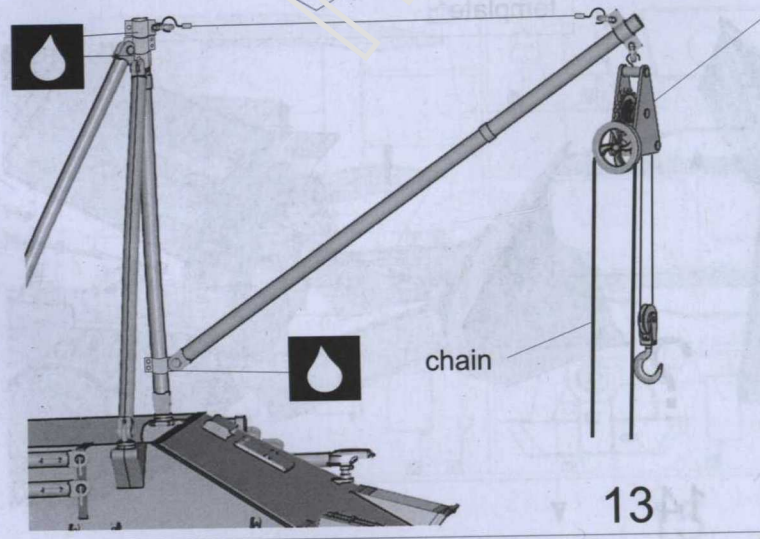
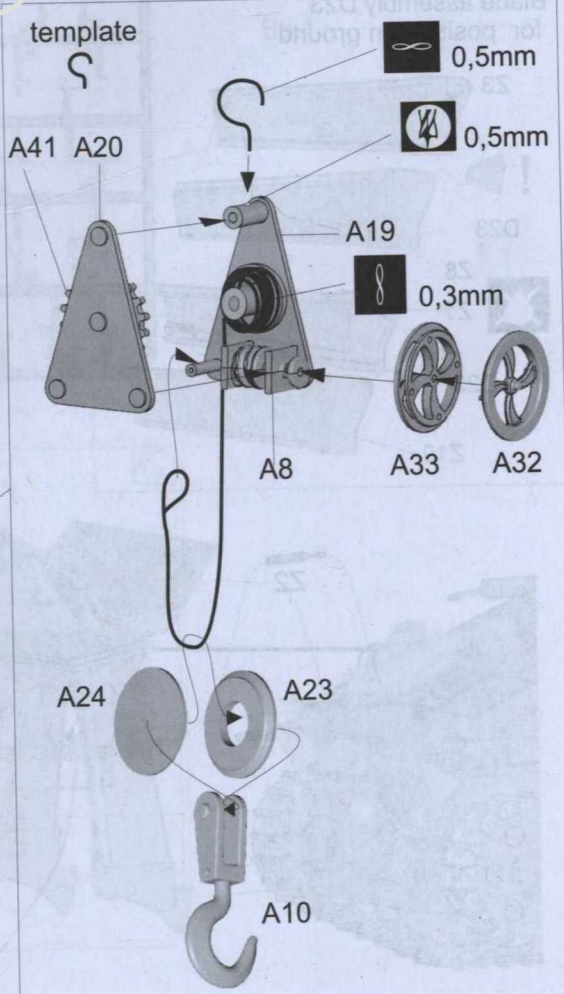
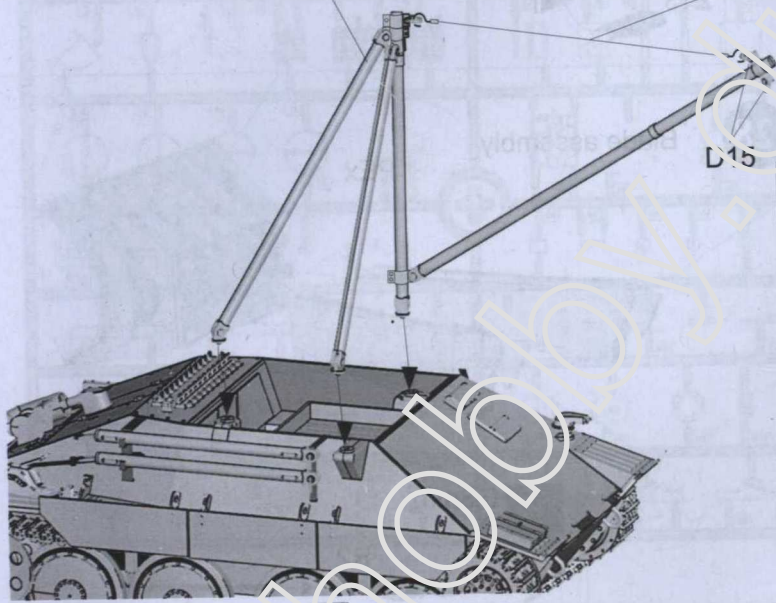
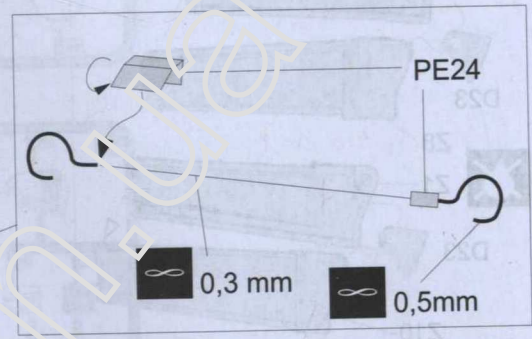
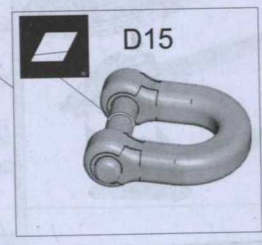
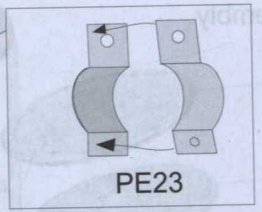
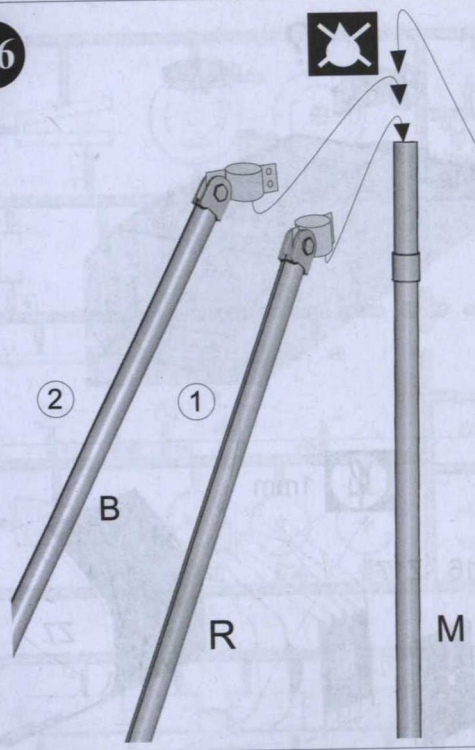
PE22



Make two

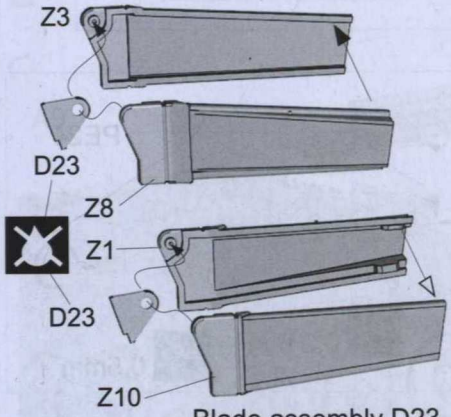
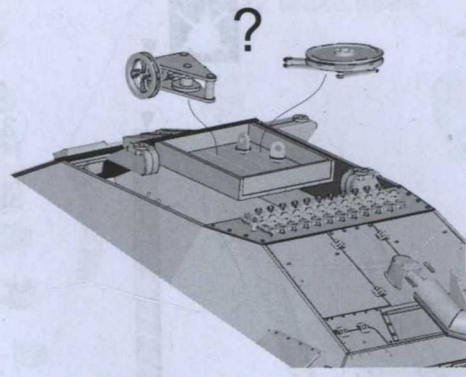
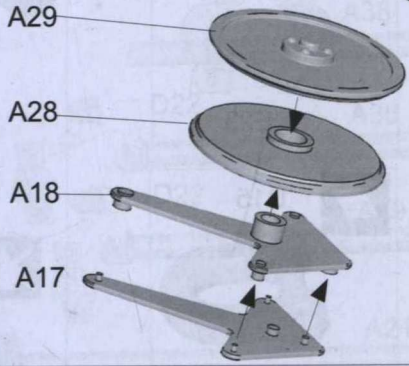
12

26



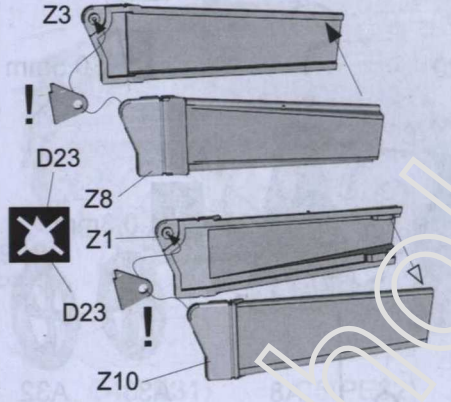
Pulley assembly

27



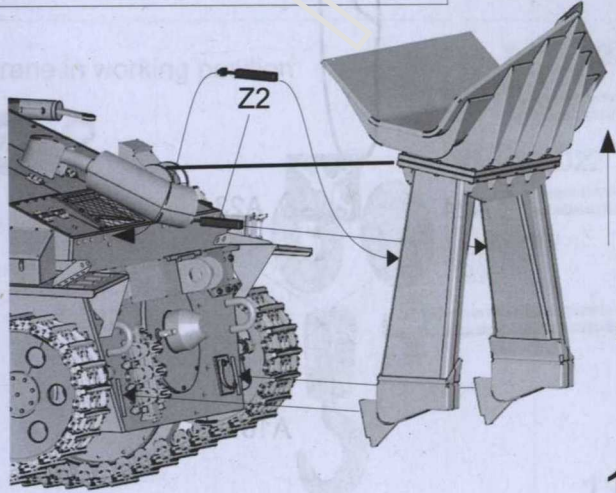
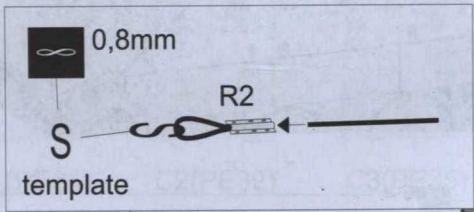
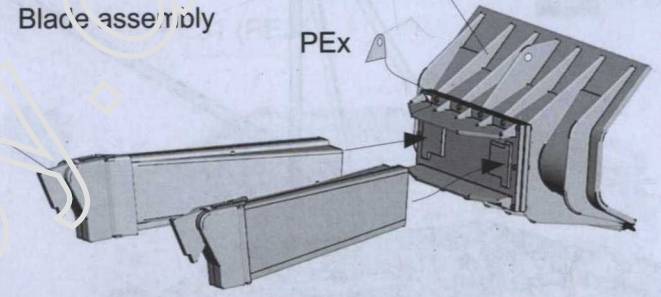
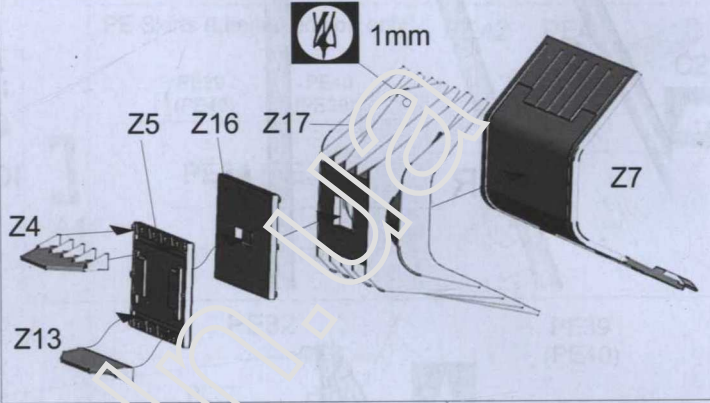
Blade assembly D23 for traveling position

Blade assembly D23 for position on ground

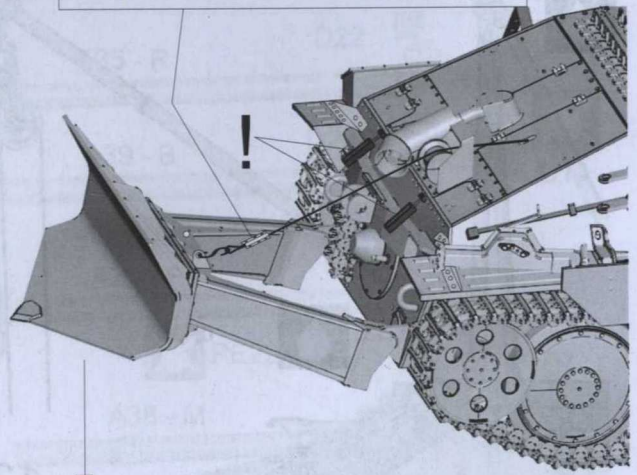


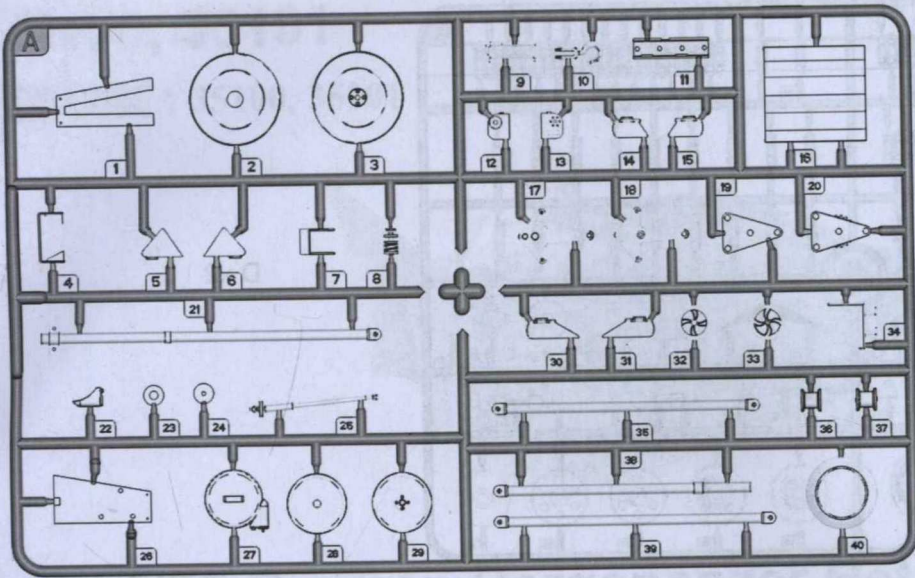
28

Blade assembly

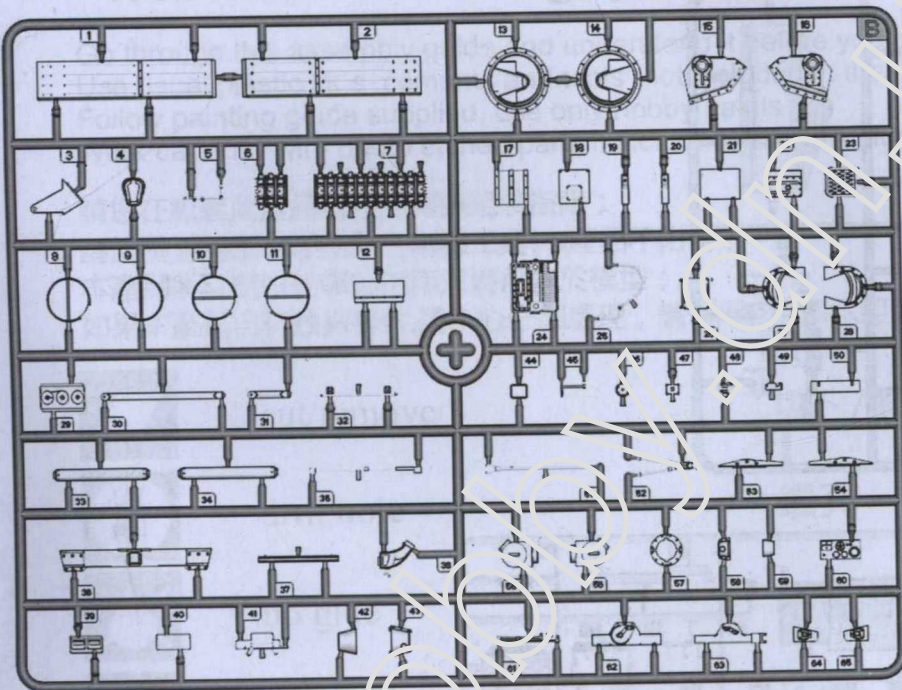


?

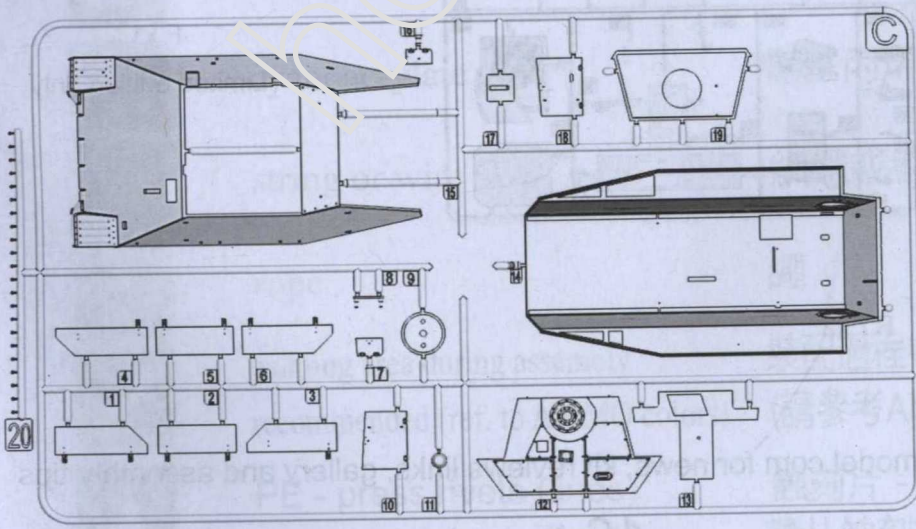




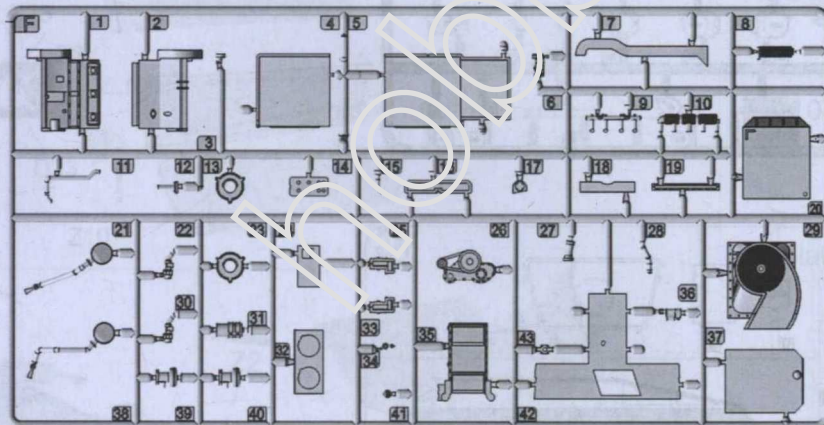
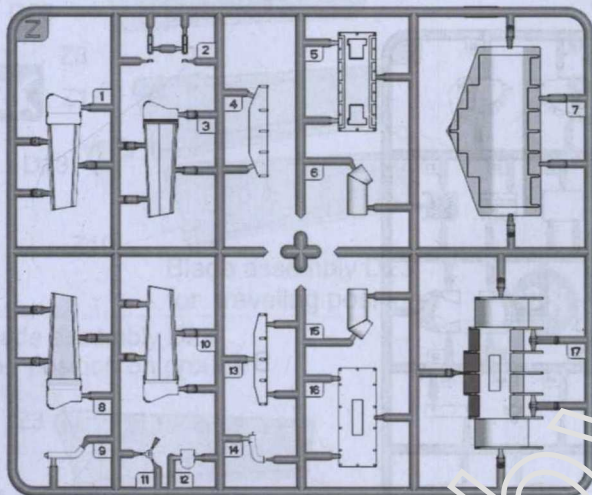
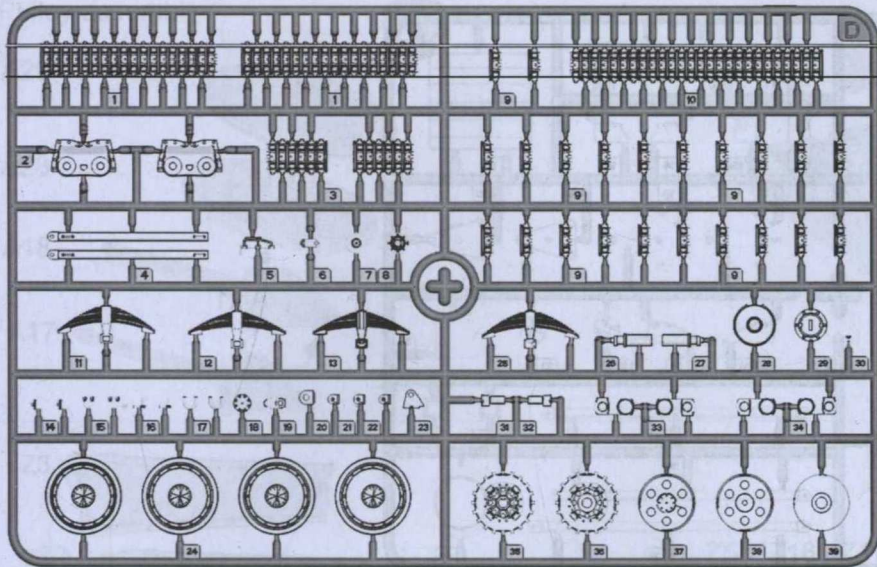
A x1



B x1



C x1



Visit us at www.Thundermodel.com for news, kit reviews links, gallery and assembly tips



Color info and profiles by



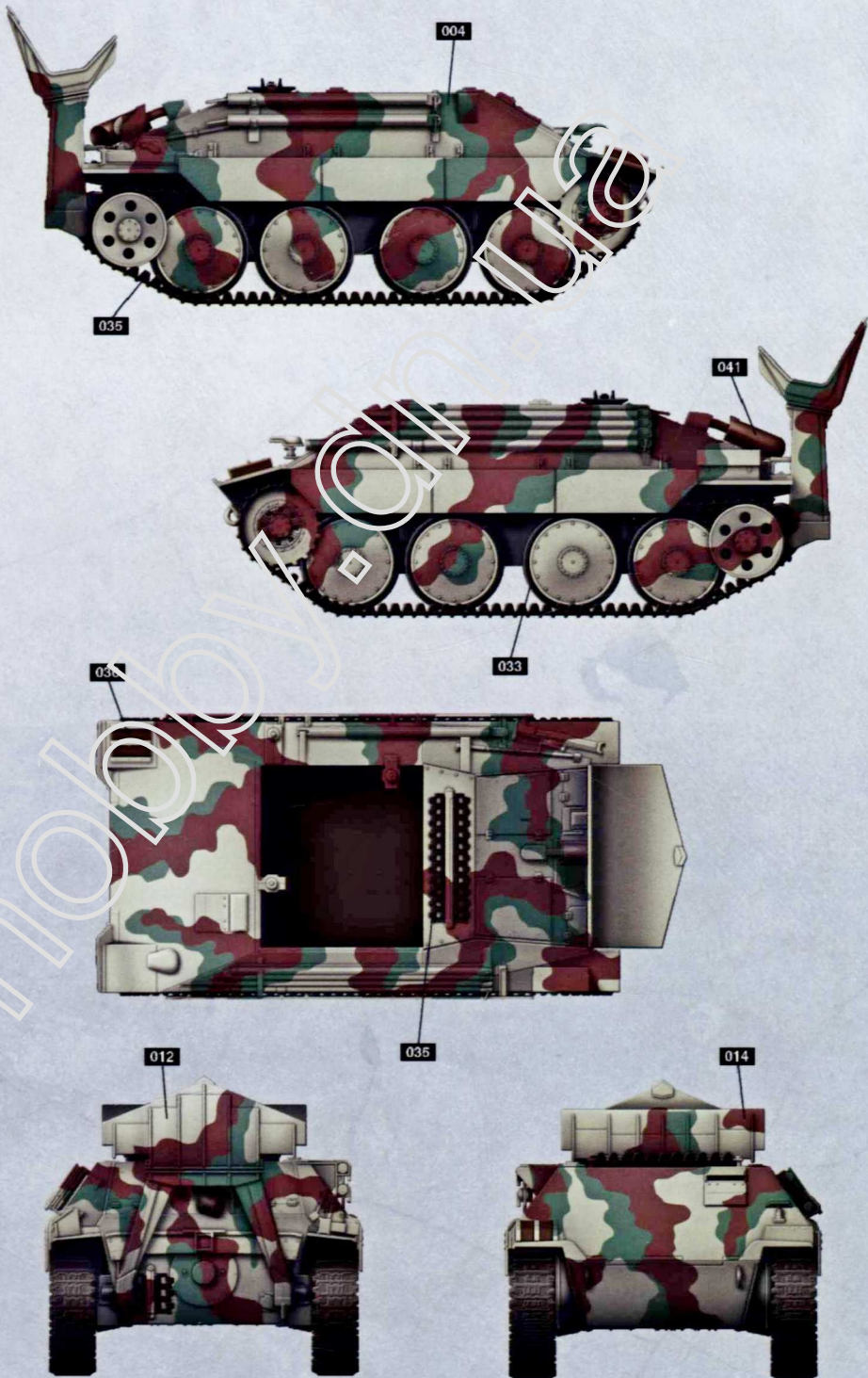
BERGEPANZER 38 HETZER LATE

Ref: TM-35101

Painting and Marking Guide

Rhineland, 1945.

- A.MIG 004 B Resedagrün
- A.MIG 012 Dunkelgelb Aus '44 DG III
- A.MIG 014 Rotbraun
- A.MIG 033 Rubber & Tires
- A.MIG 035 Dark Tracks
- A.MIG 036 Old Wood
- A.MIG 041 Dark Rust





Color info and profiles by



BERGEPANZER 38 HETZER LATE

Ref: TM-35101

Painting and Marking Guide

Germany, March 1945.

- | | | |
|--------------------------|-----------------------------------|--------------------|
| A.MIG 003 Resedagrün | A.MIG 011 Dunkelgelb Aus '44 DG I | A.MIG 014 Rotbraun |
| A.MIG 033 Rubber & Tires | A.MIG 035 Dark Tracks | A.MIG 036 Old Wood |
| A.MIG 041 Dark Rust | | |

