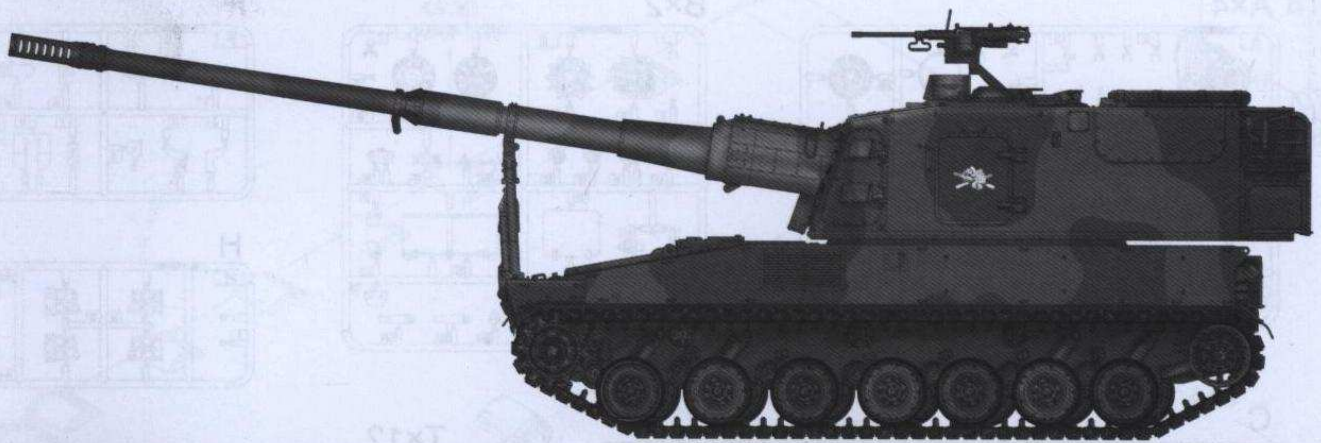


1/35 SCALE

ITEM NO.:01597



日本99式自行榴弹炮

# JGSDF TYPE 99 HSP

### READ BEFORE ASSEMBLY:

- Study and understand these instructions thoroughly before beginning assembly
- When needed, remove photo-etch parts carefully using a modeling knife or photo etch sprue cutter, being careful not to damage or lose small parts.
- Take extra care in handling photo etch parts in order to avoid injury
- Apply instant cement sparingly to photo etch parts where instructed
- Tools recommended(not included in kit):Plastic and instant cements, sprue cutters,long nose pliers,modeling knife, small files, tweezers, pin vise & scissors. Soft cloth and sandpaper will also assist in construction.
- Glue and paint are not included in the kit. Use plastic cement and hobby paints only. Color guide for purchasing paint is included in the kit.

### 装配之前仔细阅读

- 小心用模型锉刀锉平所有零件表面的注射浇口。
- 小心用刀片切下蚀刻片零件，不要遗失小零件。
- 用强力快干胶水粘合蚀刻片零件和金属轴。过量快干胶水使用可能导致可动零件会粘住，小心涂胶。
- 取蚀刻片时应特别注意安全，防止利边划伤手指。
- 某些零件表面需贴上水贴纸，请选择在装配的同时进行。
- 推荐模型工具(自备)：胶水，水口剪刀，长咀钳，刀片，锉刀，镊子，钳，钻，剪刀，瞬间快干胶。
- 软布同砂纸同时也应该是必备工具。
- 请使用塑料胶水和油漆，模型内不含。



配重  
Weight



使用强力胶  
Cyanoacrylate glue



钻孔  
Make hole



切除  
Cut / Remove



贴纸  
Decal



锉平  
File / Sand



选择  
Option



不涂胶水  
No cement



弯曲  
Bend

### 水贴纸的使用:

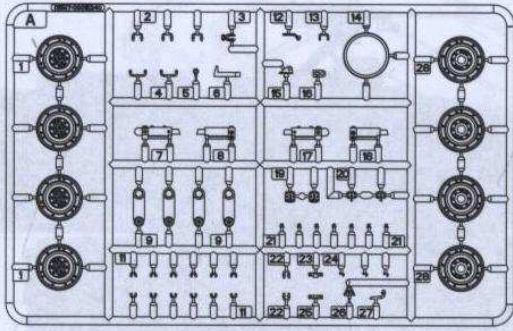
- 1.从水贴纸上剪下印花;
- 2.将印花放入温水中浸10秒，然后放在干净布上。
- 3.拿着印花纸板将印花移到模型上;
- 4.手指蘸水将印花移到适当的位置;
- 5.用软布轻压印花直至水干，气泡消失

### DECAL APPLICATION

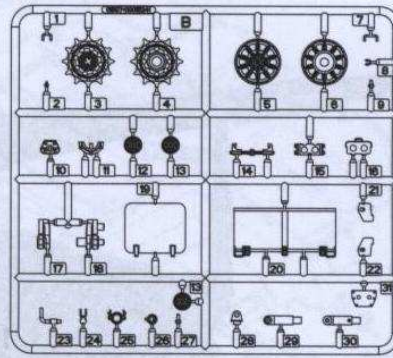
- 1.Cut decals from sheet as needed
- 2.Dip the decal in warm water for about 10 seconds and then place on soft clean cloth.
- 3.Hold the decal backing sheet edge and gently slide the decal onto the model in its proper position.
- 4.While still wet,decal can be adjusted for better fit on model by dampening it gently with your finger.
- 5.When placed in the proper position,gently press decal down with a soft cloth until excess water and air bubbles are gone.
- 6.Allow decal to dry completely before handling model



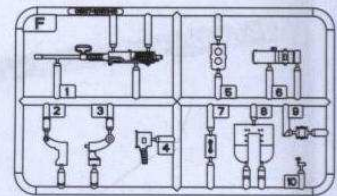
Ax4



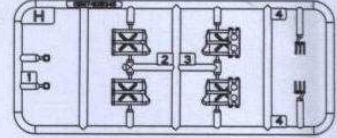
Bx2



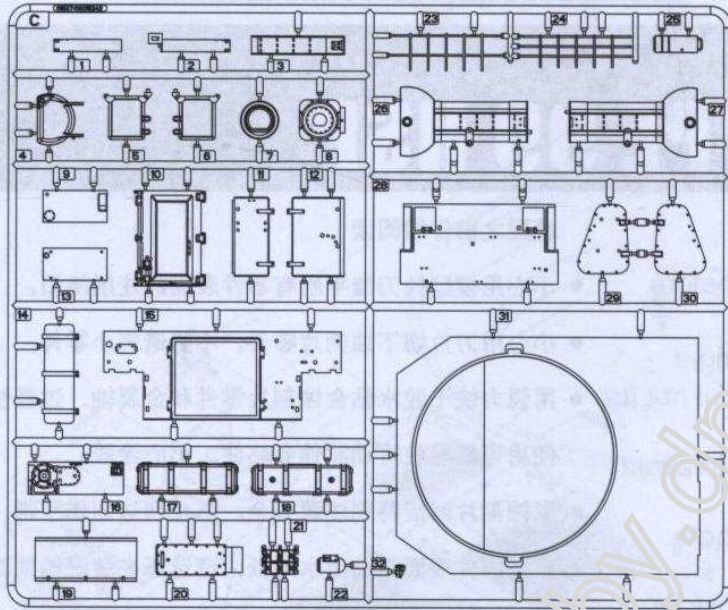
F



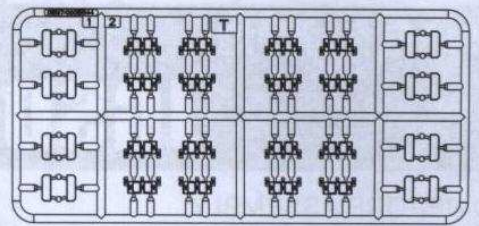
H



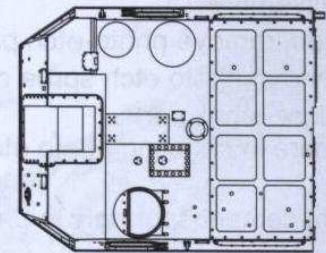
C



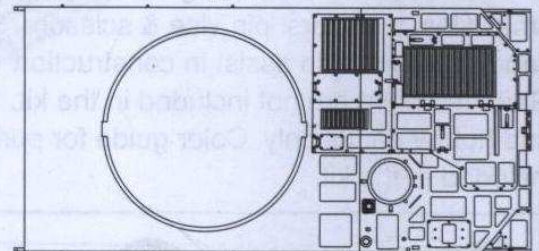
Tx12



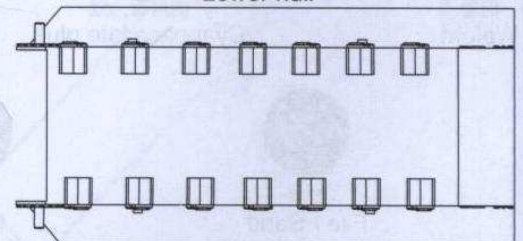
《炮塔》  
Turret



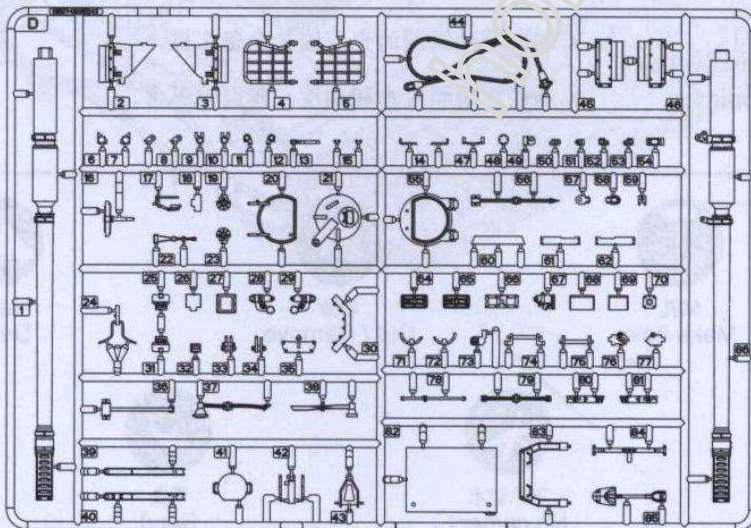
《车面》  
Upper hull



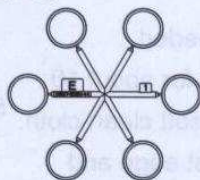
《车底》  
Lower hull



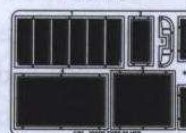
D



Ex5



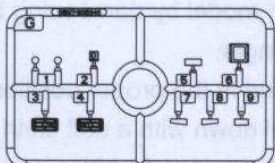
《蚀刻片》  
PE-A



《水贴》  
Decal

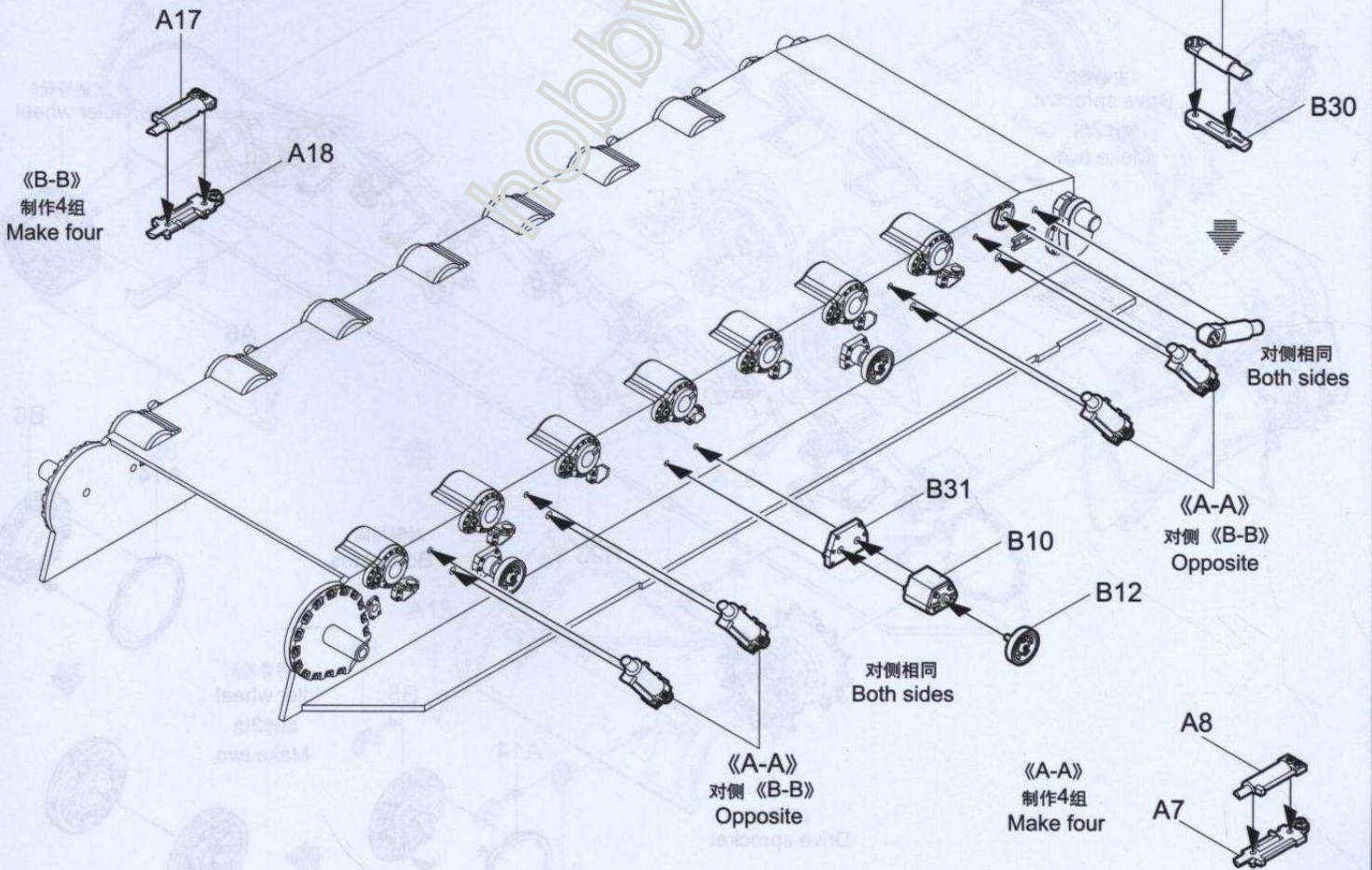
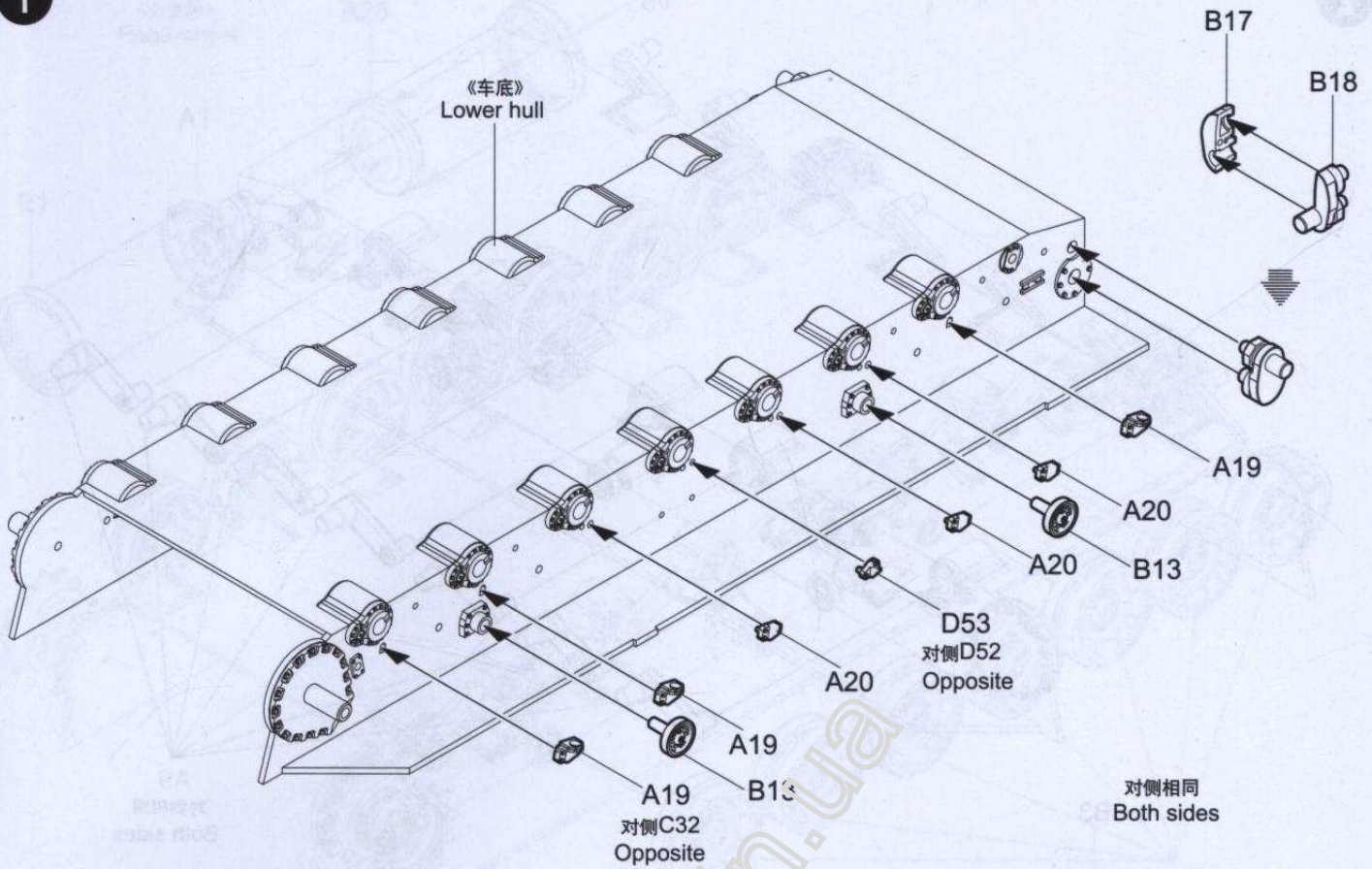


G

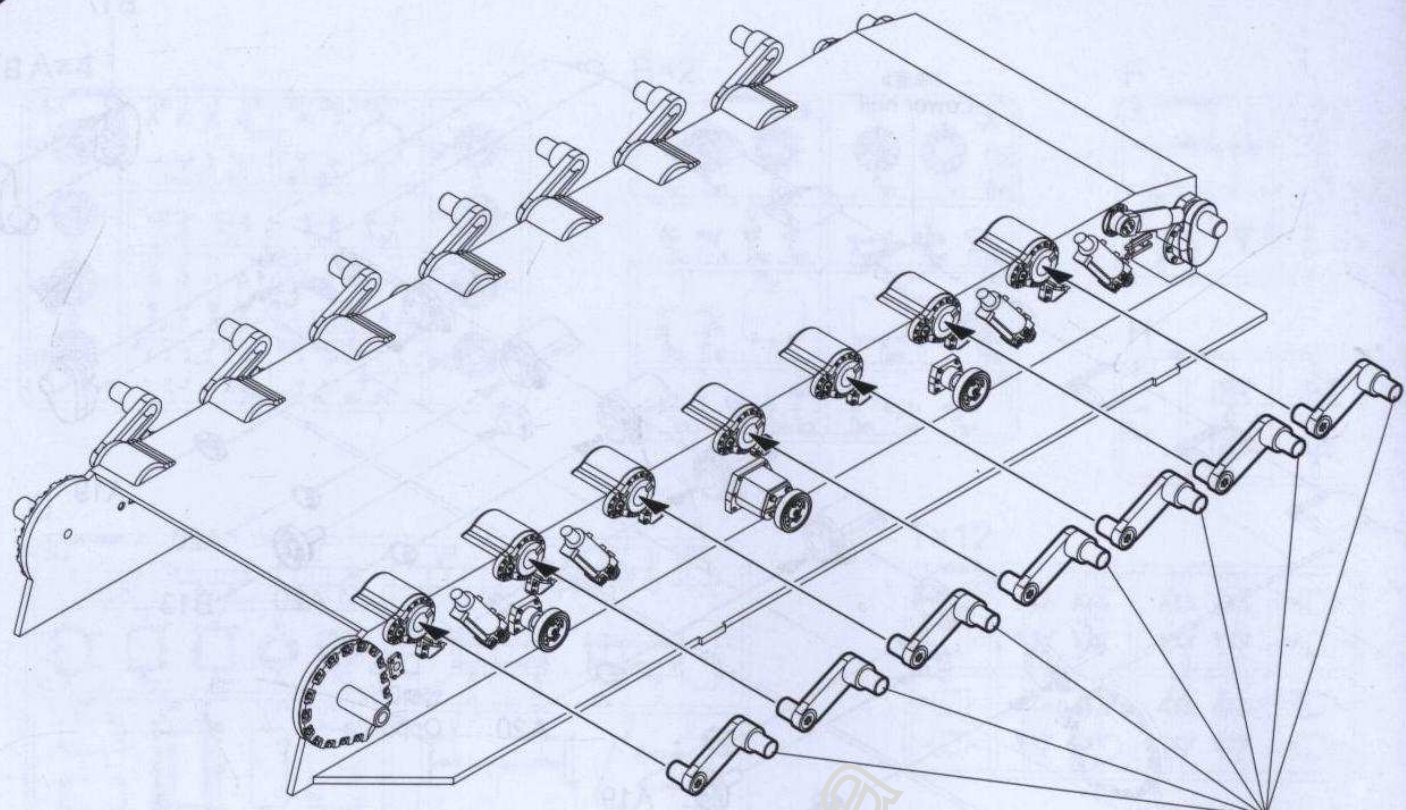




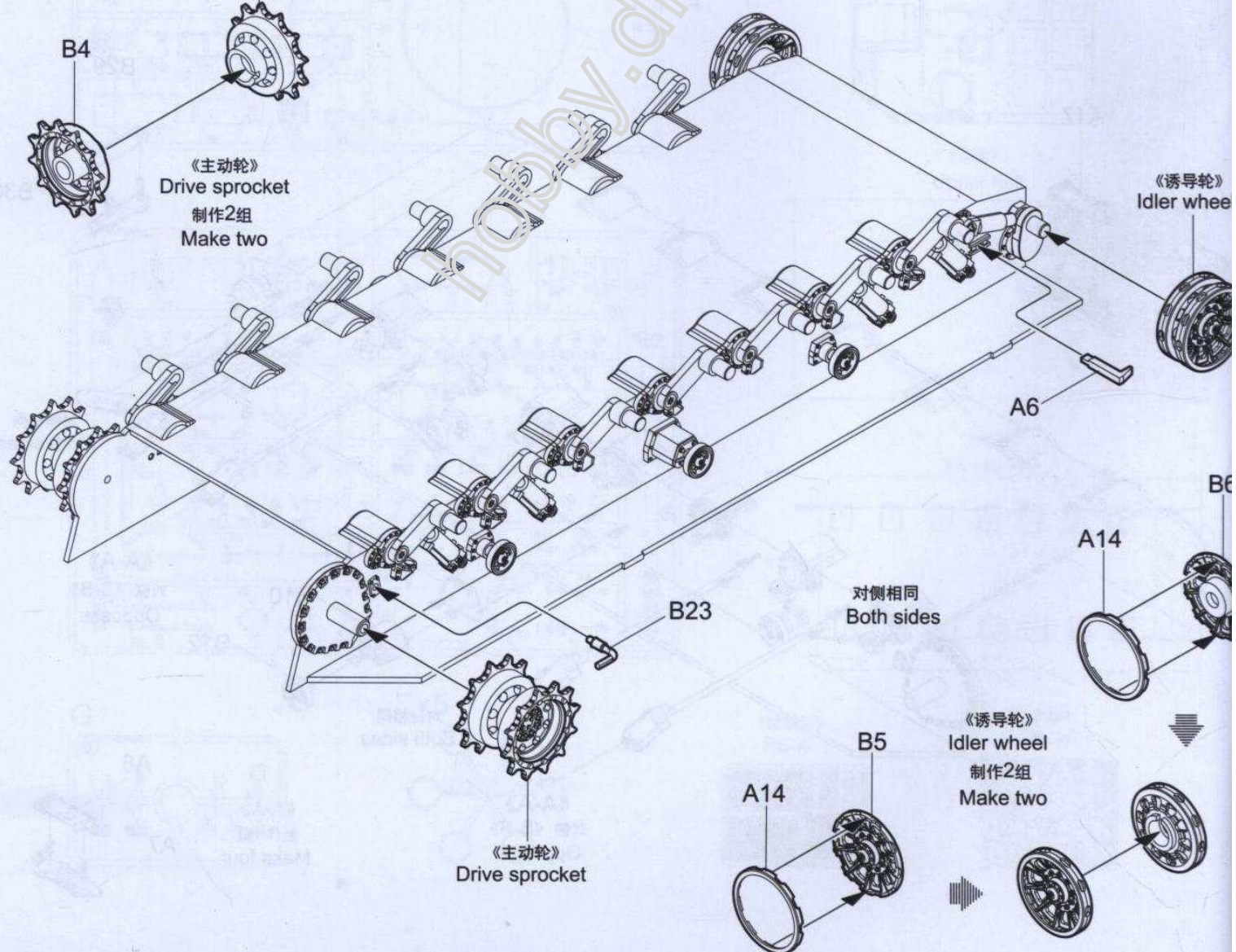
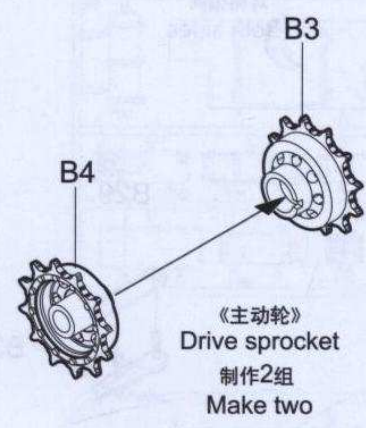
1







A9  
对侧相同  
Both sides





3

《负重轮》  
Road wheel

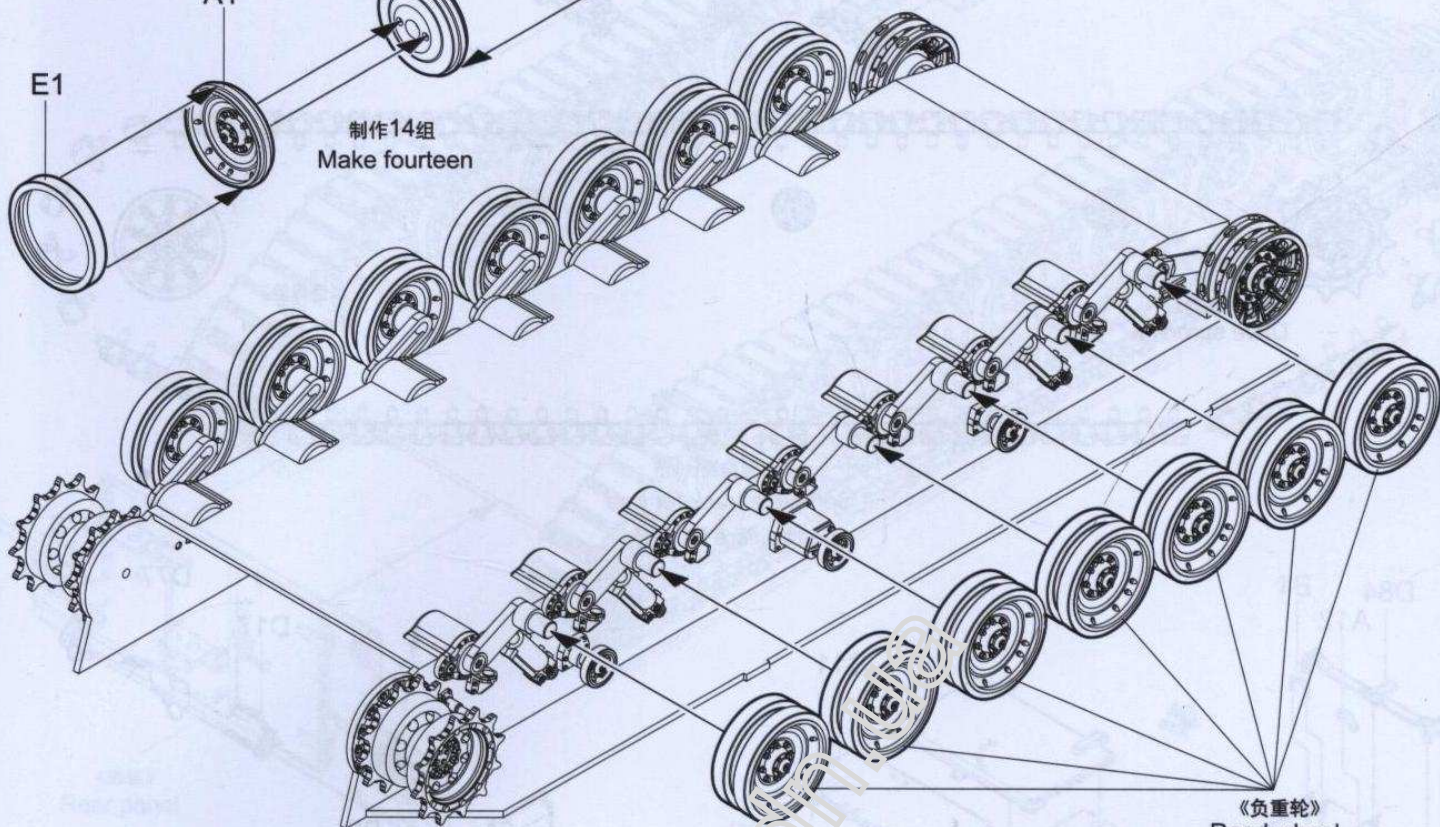
A28

E1

A1

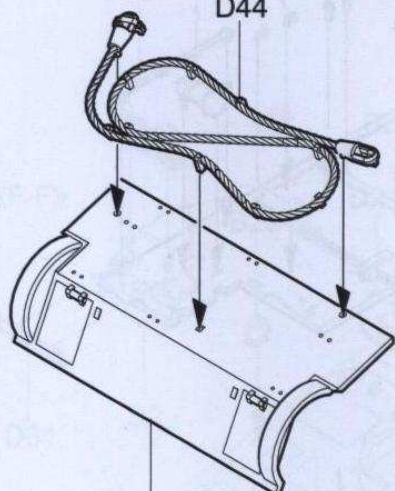
E1

制作14组  
Make fourteen

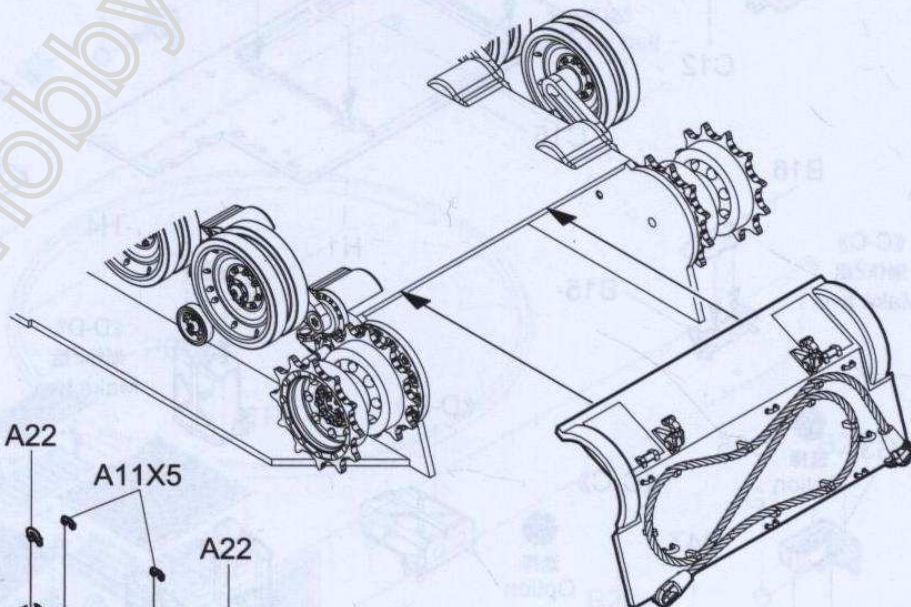


《负重轮》  
Road wheel  
对侧相同  
Both sides

D44



C28



A22

A11X5

A22

A15

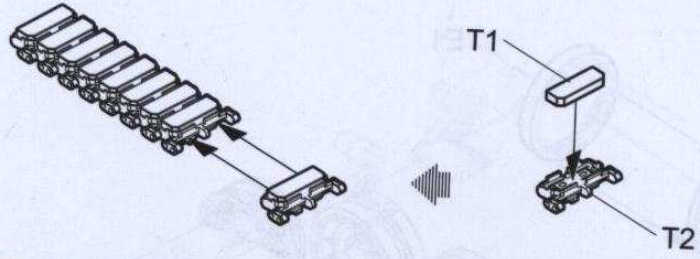
A3

A3

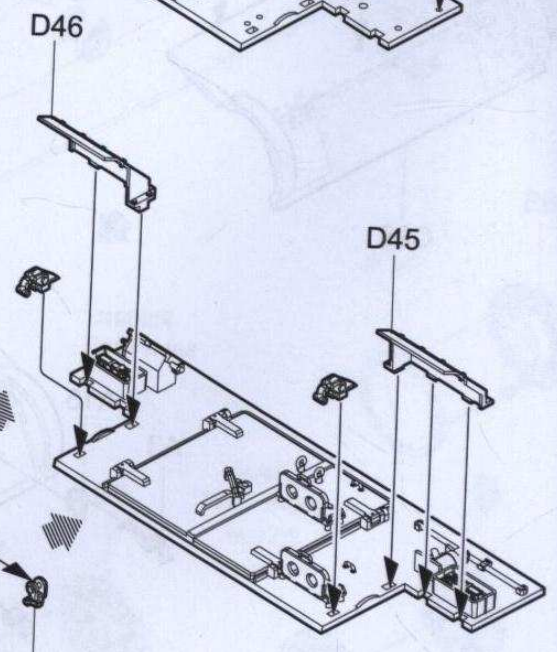
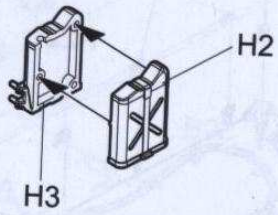
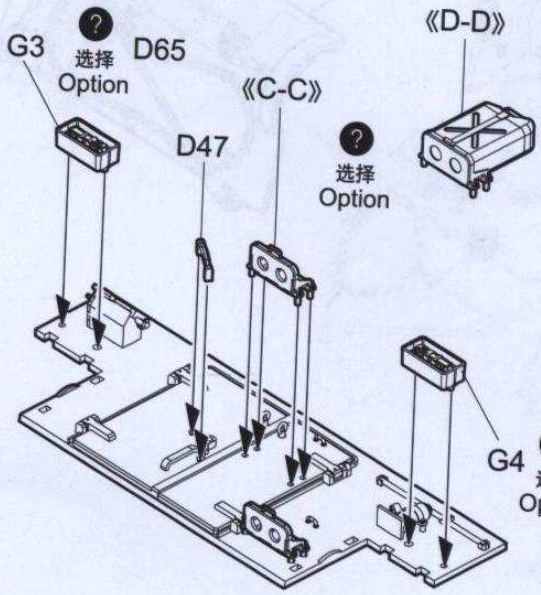
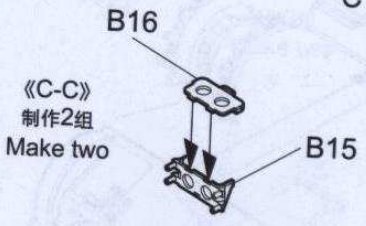
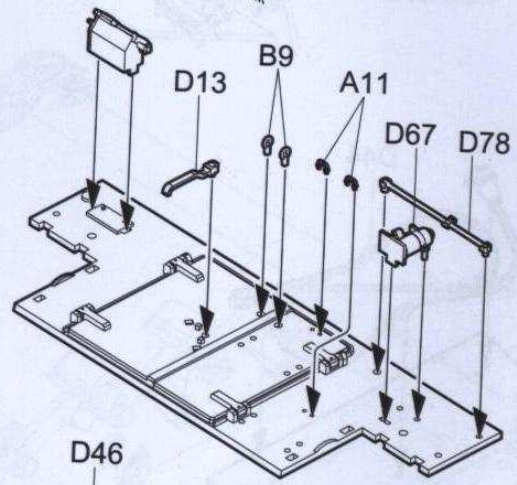
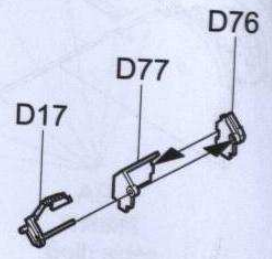
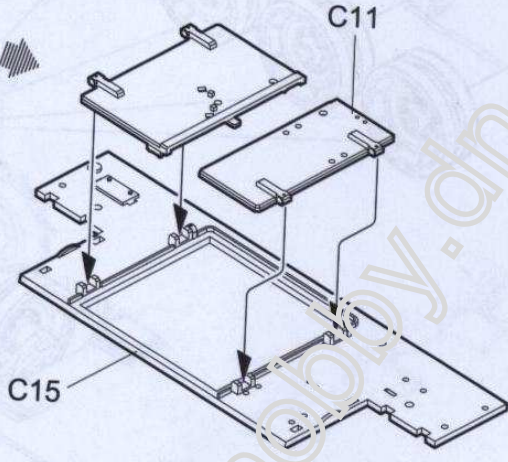
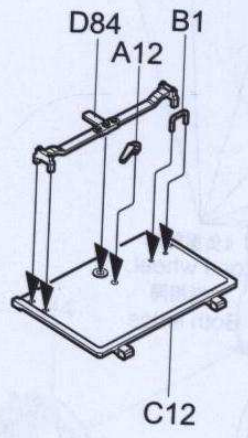
A15



4



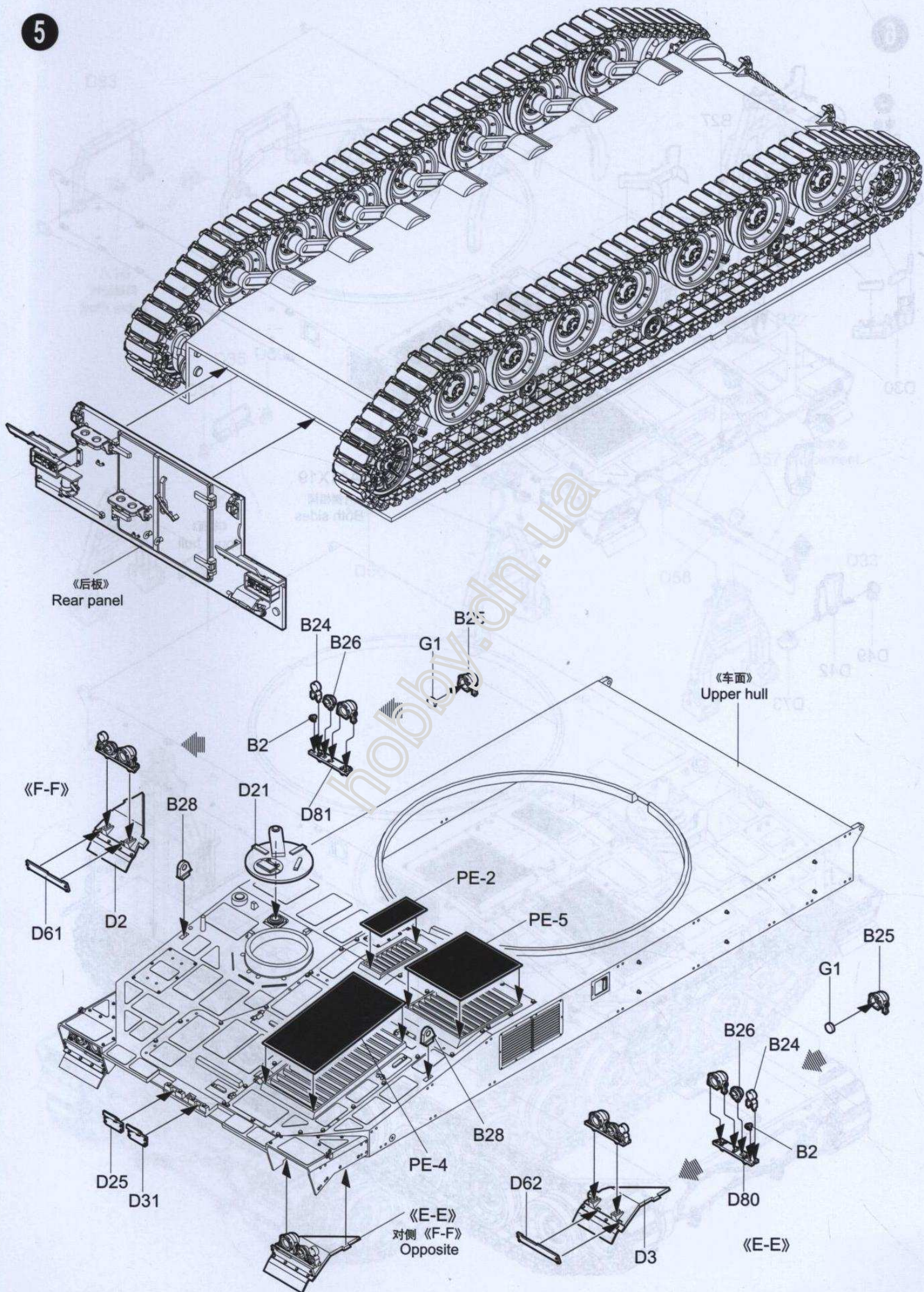
单侧履带需91节  
Complete track for one side require 91 links



《后板》  
Rear panel



5





6

弯曲  
Bend  
PE-3

G8  
G9  
G7  
D30

B27

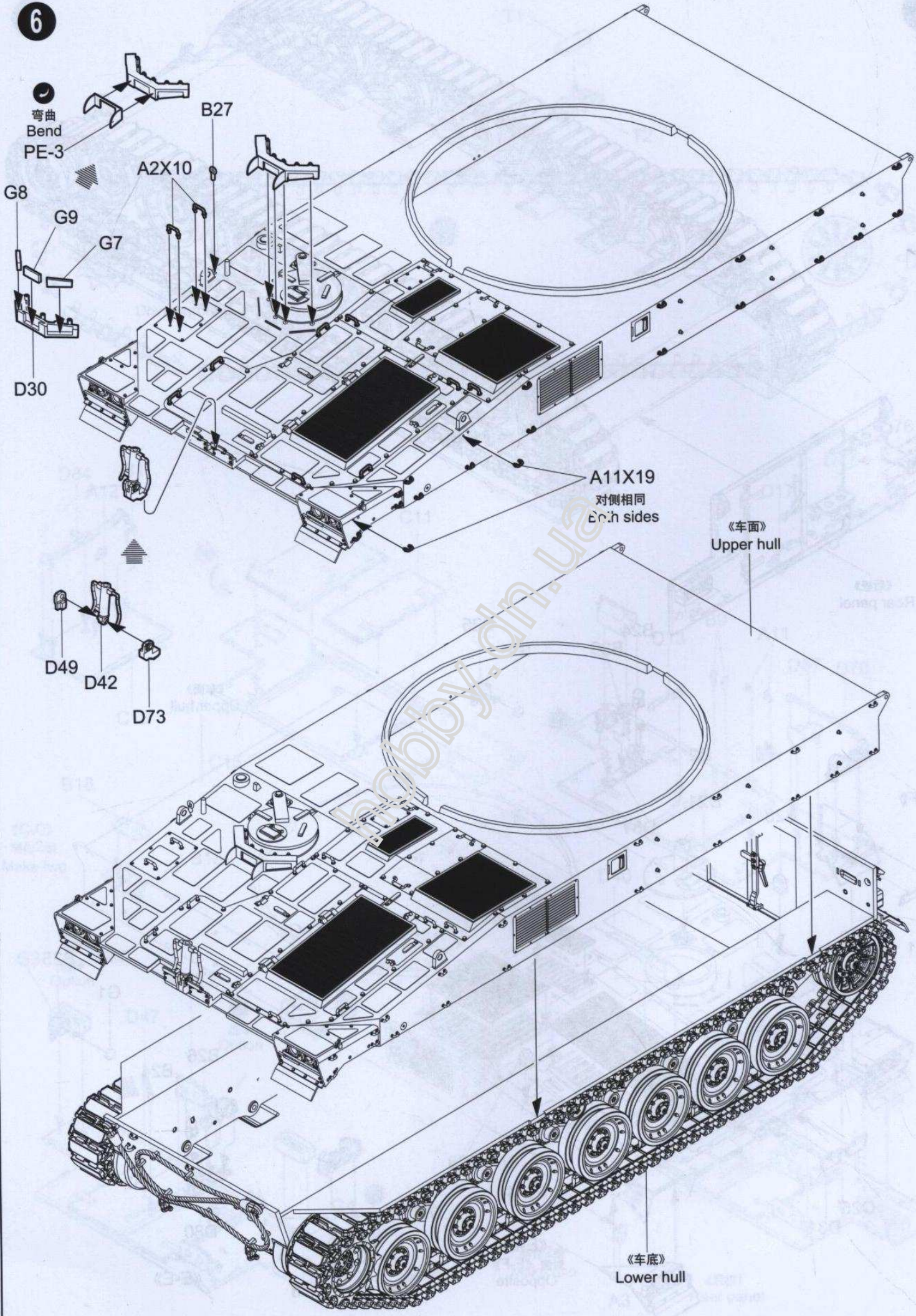
A2X10

A11X19  
对侧相同  
Each sides

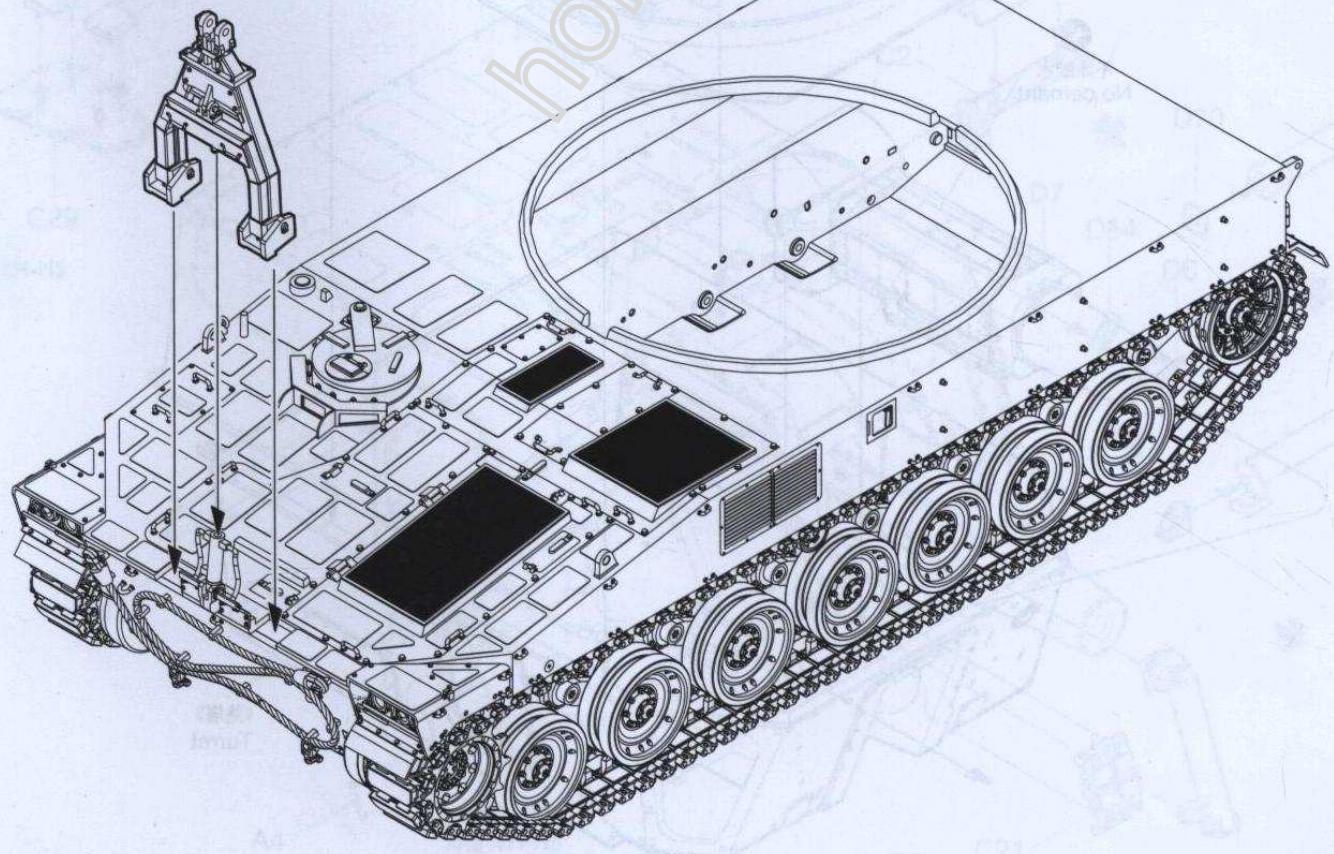
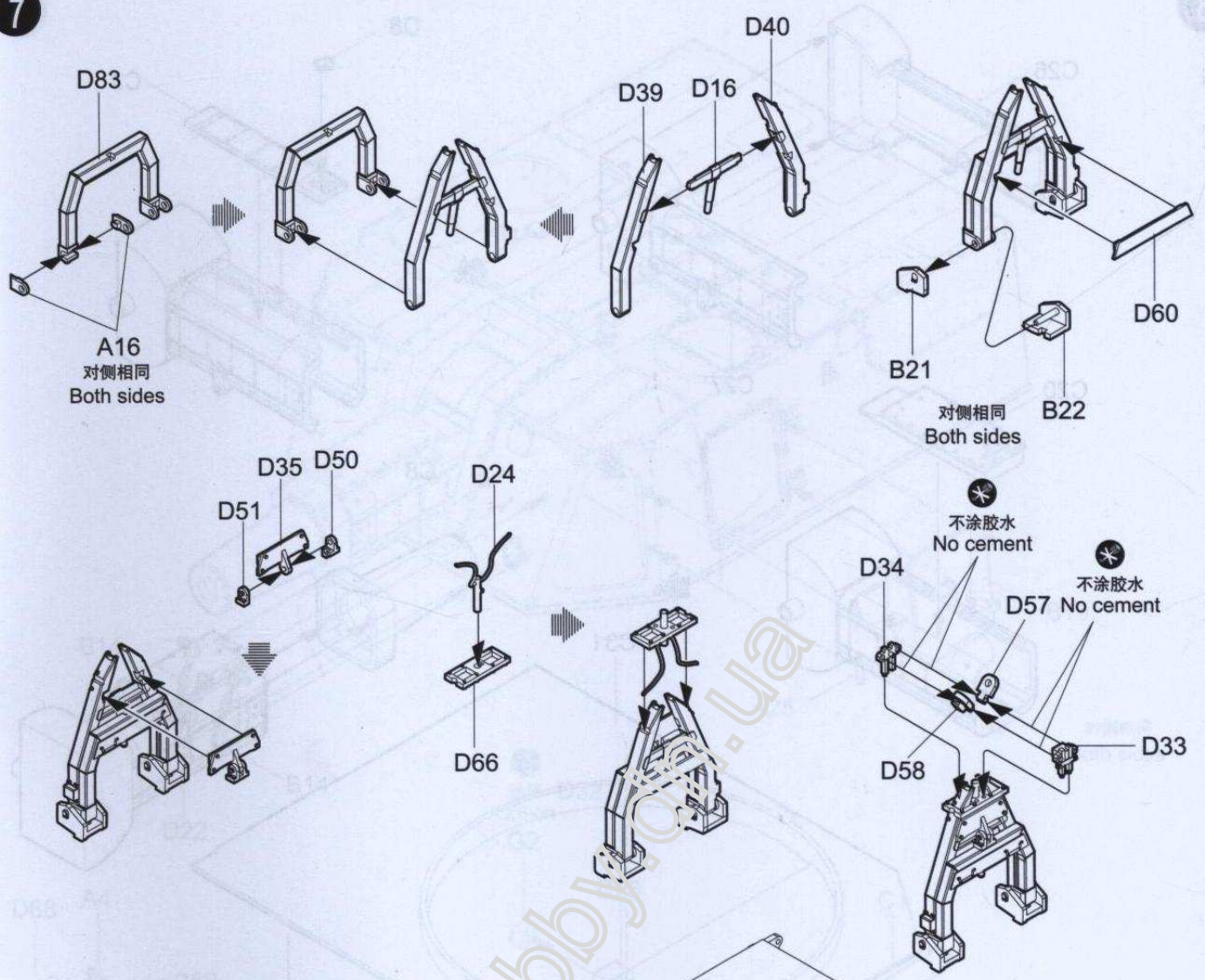
《车面》  
Upper hull

D49  
D42  
D73

《车底》  
Lower hull

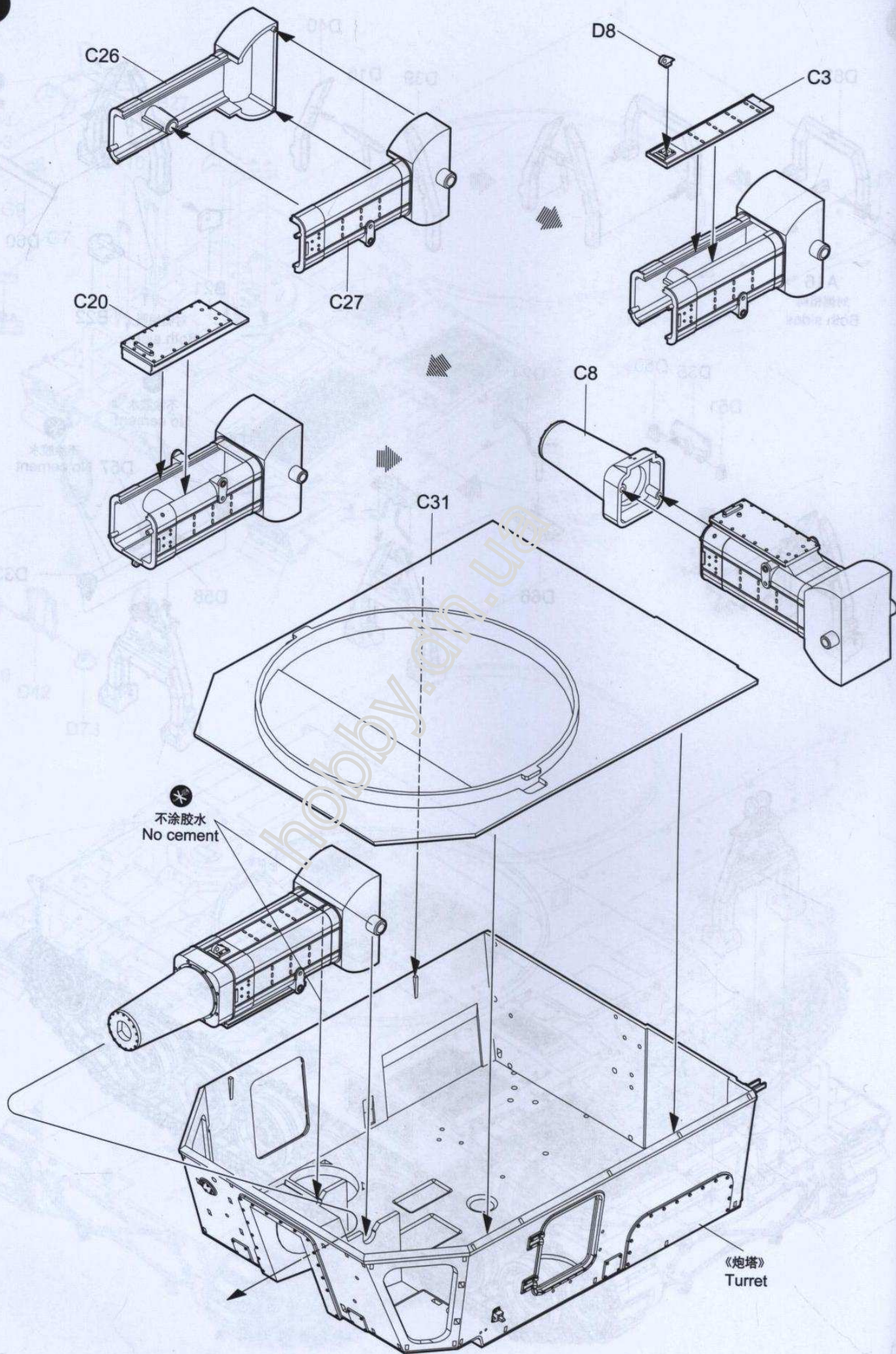




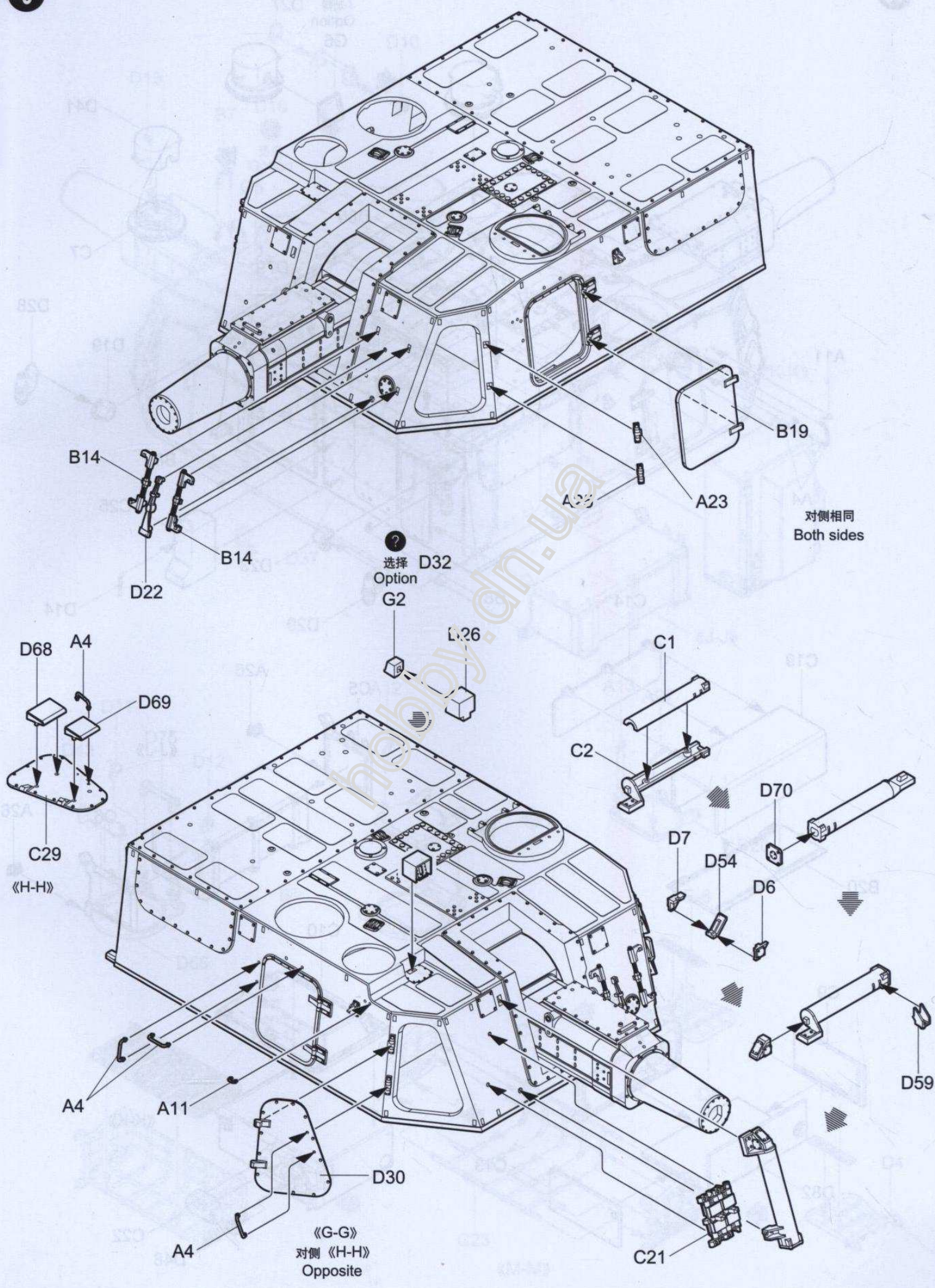




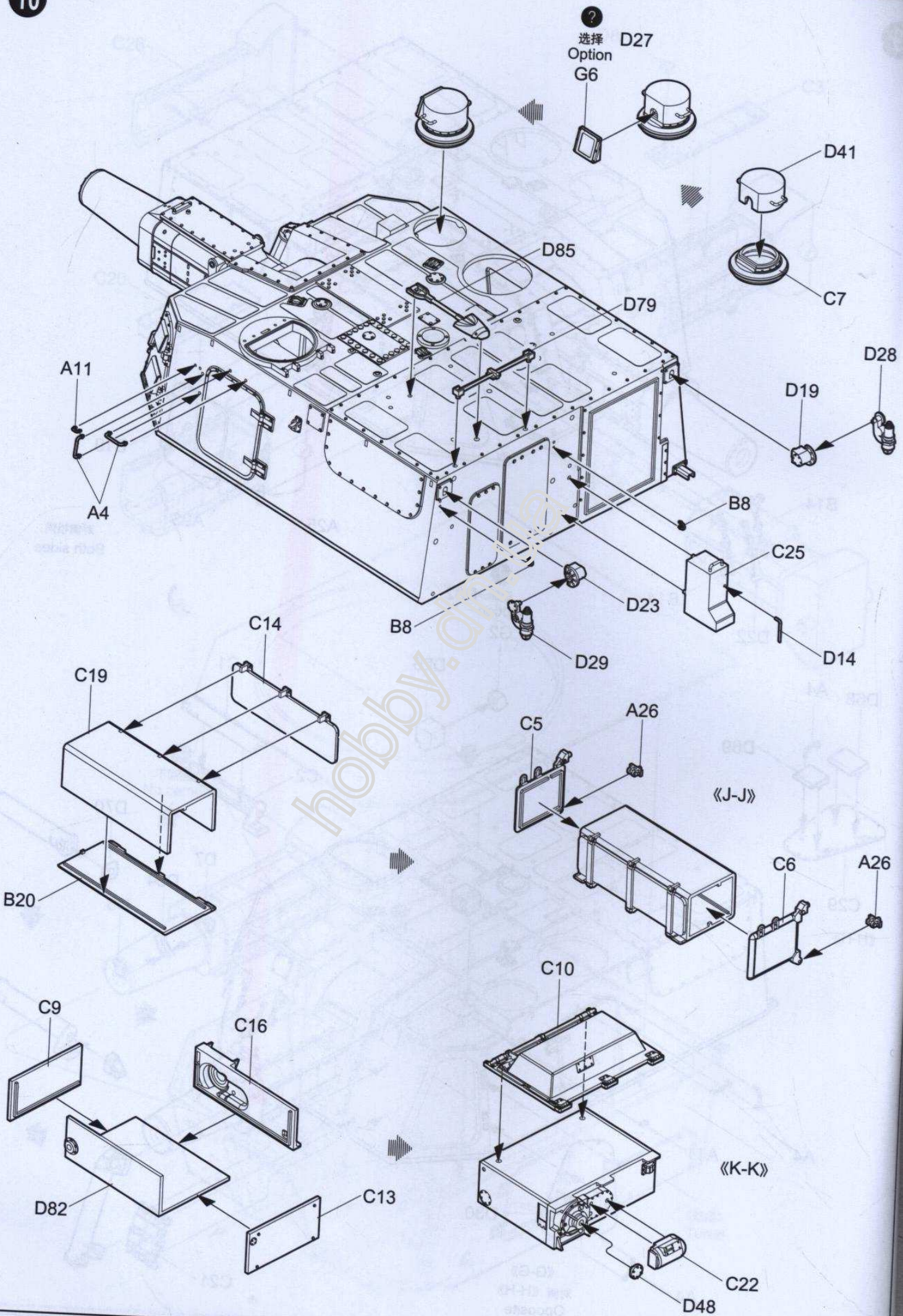
8



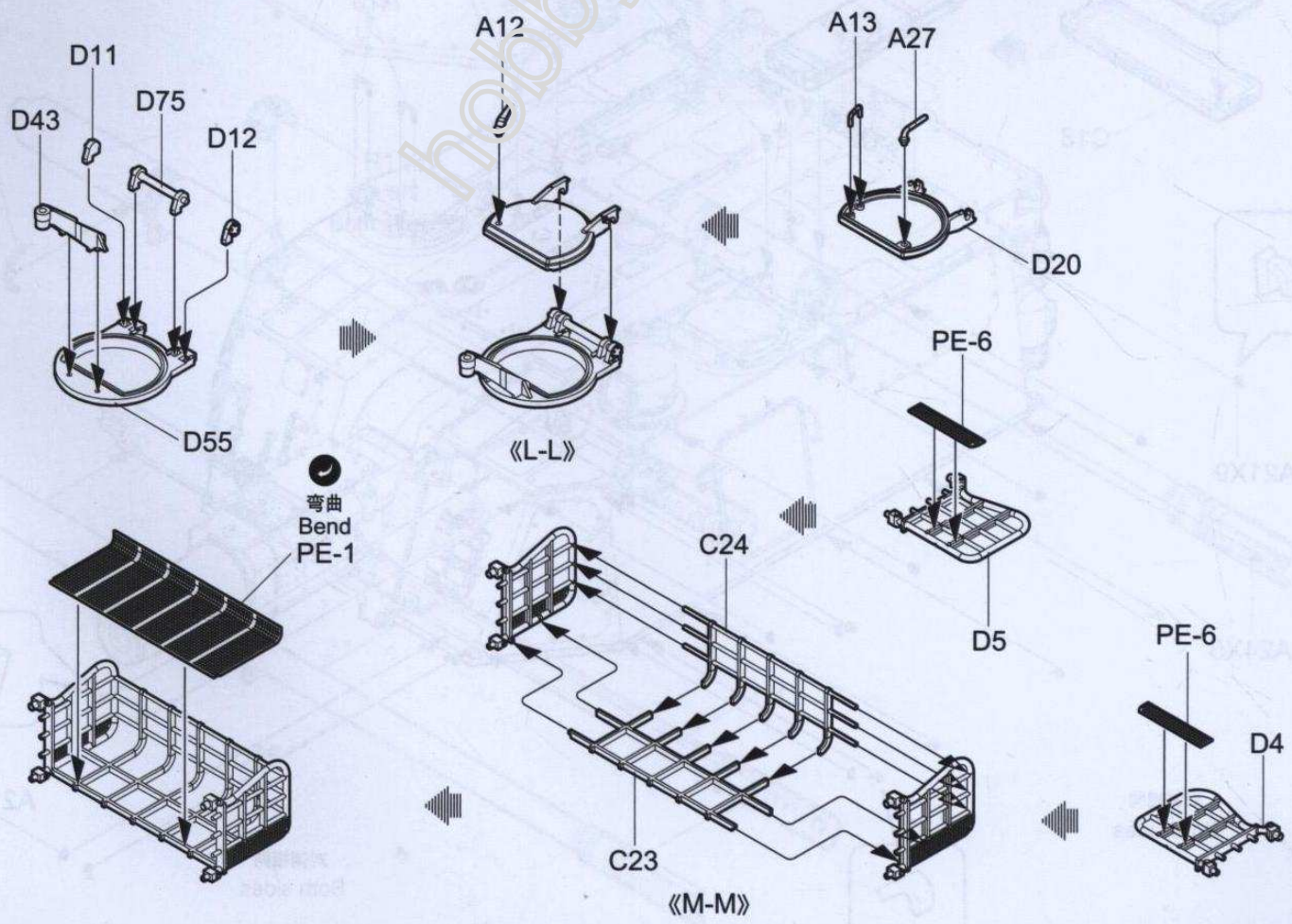
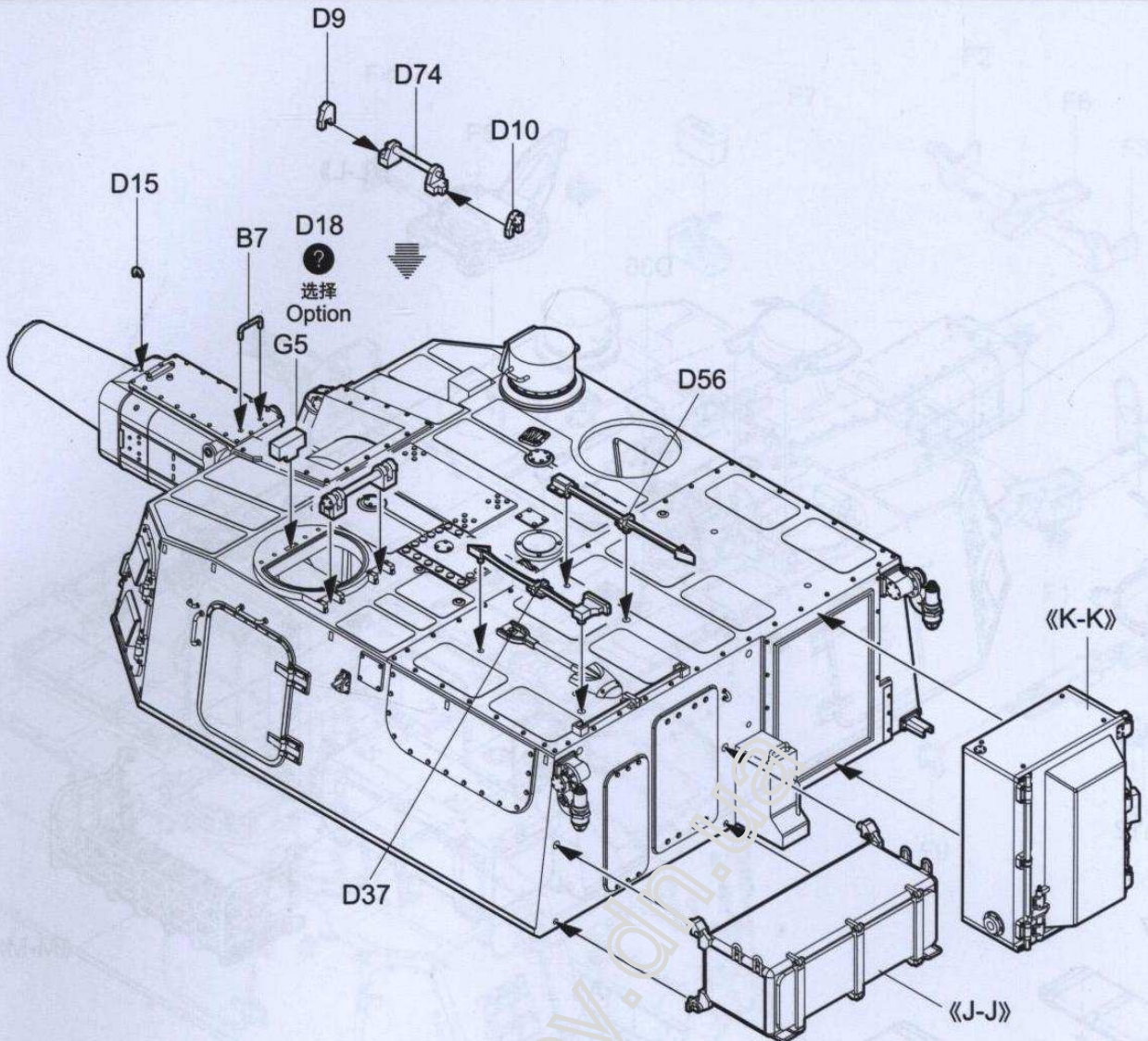




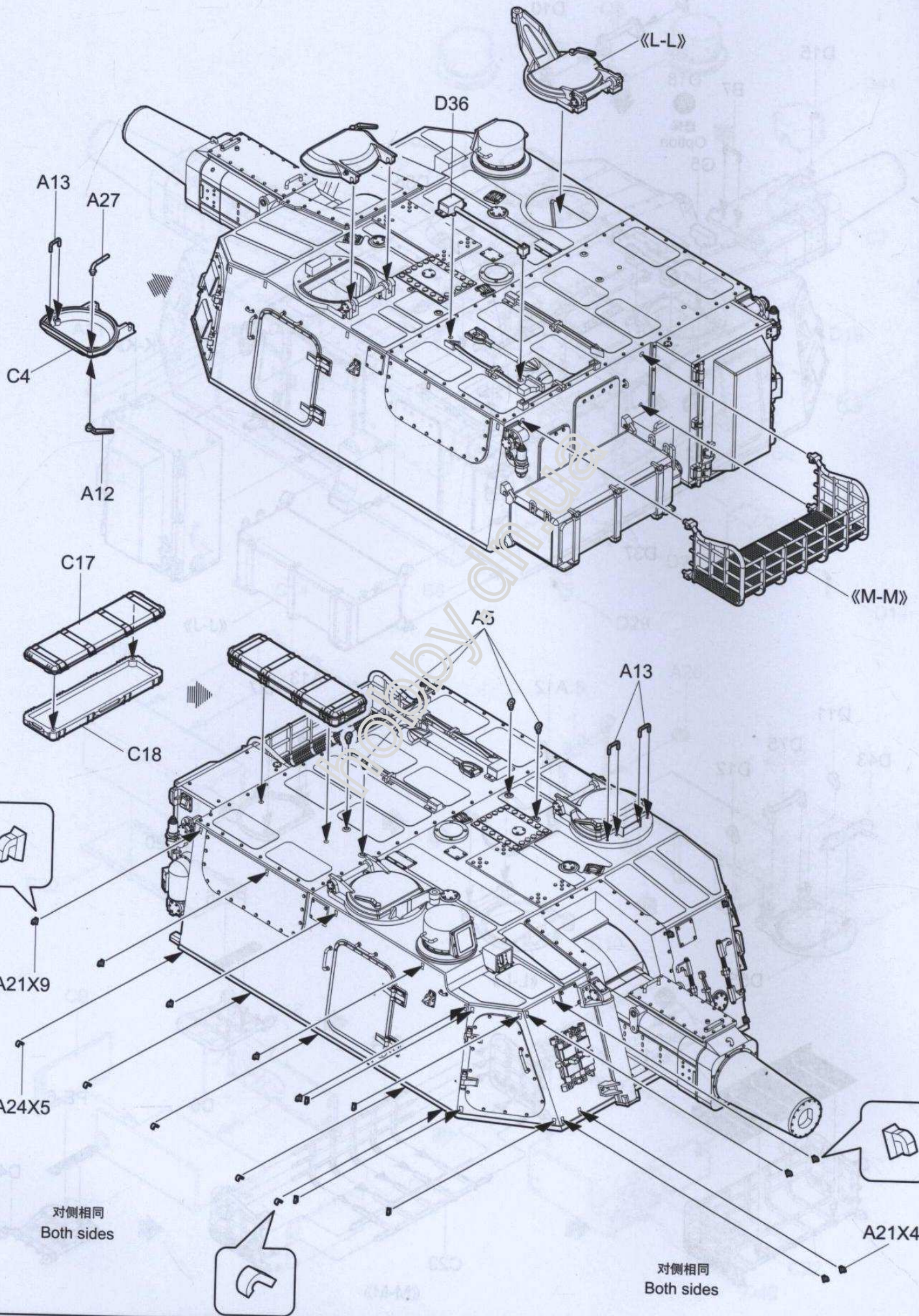




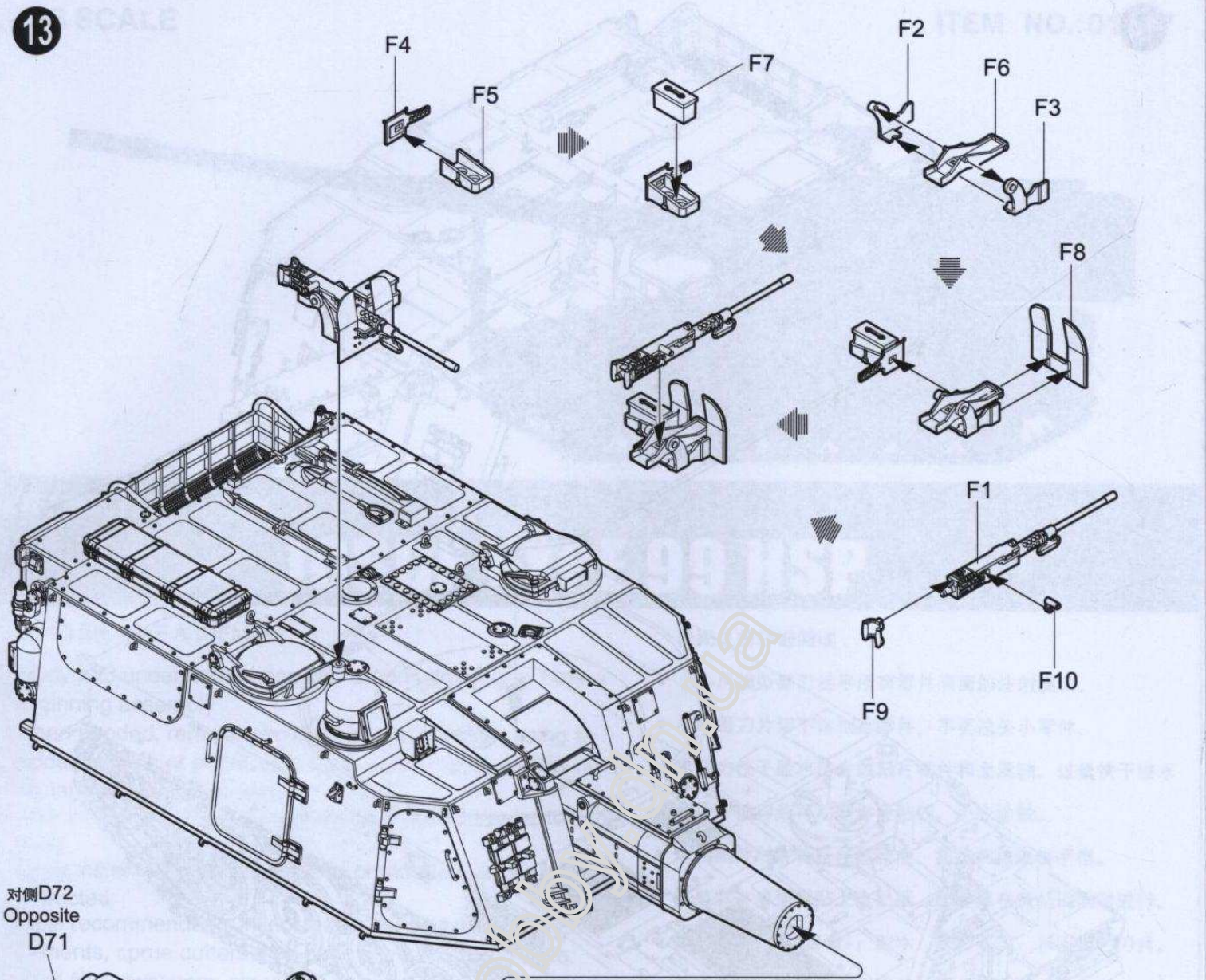




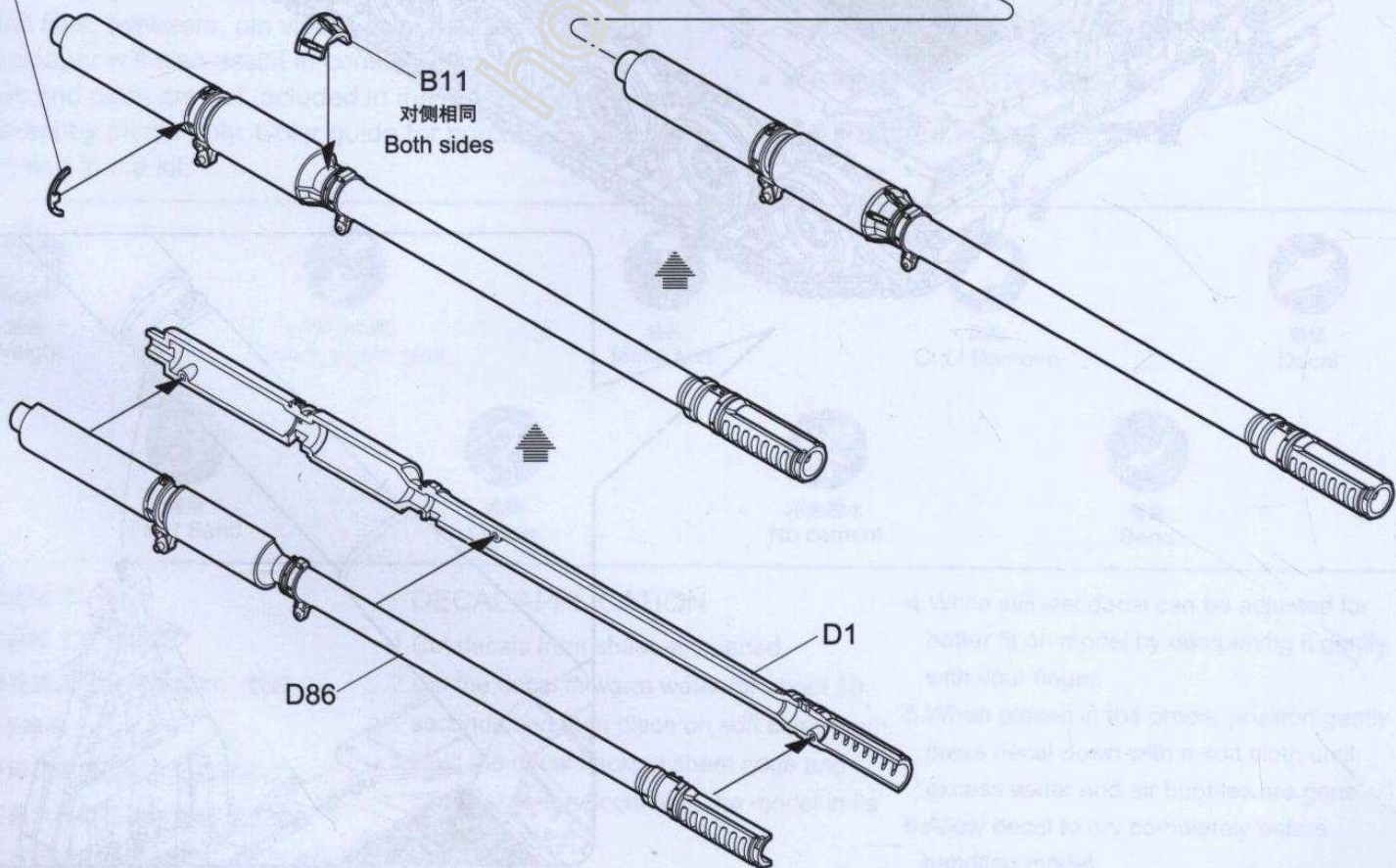






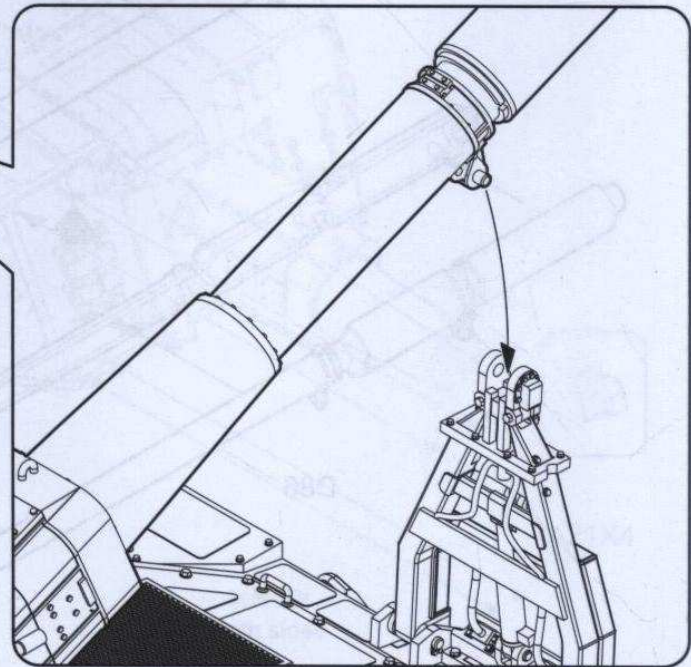
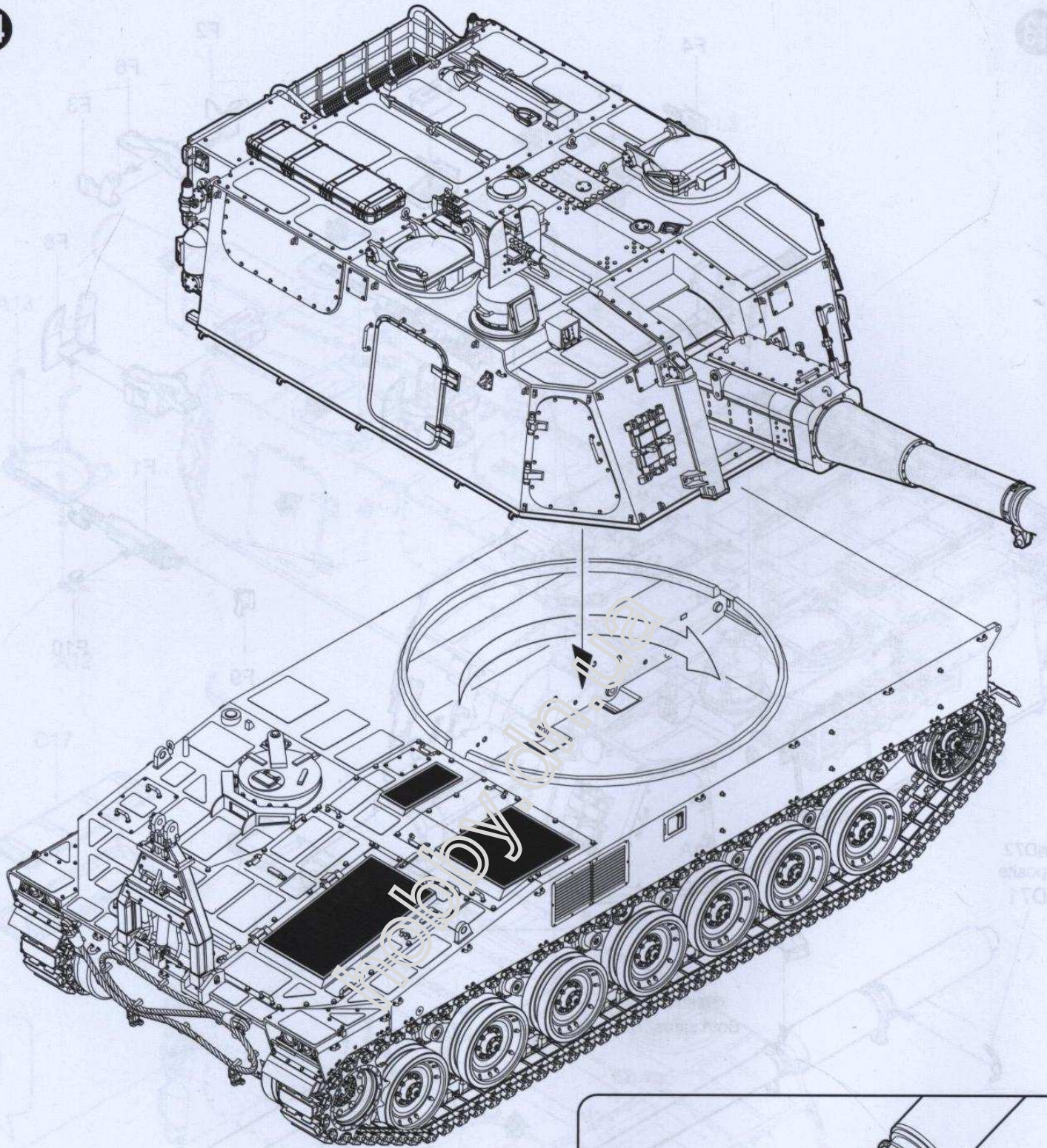


对侧D72  
Opposite  
D71



While not visible, the axle can be adjusted for  
suffer to fit model by adjusting it gently  
with your finger.  
A slight rubbing of the photo position partly  
will help seal with a soft and will  
be used to seal and air bubbles are  
removed to dry completely before  
finishing model.







# 涂装同标贴指示 Painting & Marking guide

PAINT REFERENCE COLOUR					
Color	Mr.Hobby	Vallejo	Model Master	Tamiya	Humbrol
Tint Black 暗黑色	H 77 137	--	--	--	--
Dark Green 深绿色	H 320 320	895	--	XF26	30
Steel (Metal Black) 黑铁色	H 18 28	864	1402	--	--

PAINT REFERENCE COLOUR					
Color	Mr.Hobby	Vallejo	Model Master	Tamiya	Humbrol
Silver 银色	H 8 8	997	1546	X11	11
Dark Earth 深土色	H 72 22	873	1702	XF52	29
Clear Red 透明红	H 90 47	934	--	X27	--
Clear Orange 透明橙	H 92 49	935	--	X26	--

