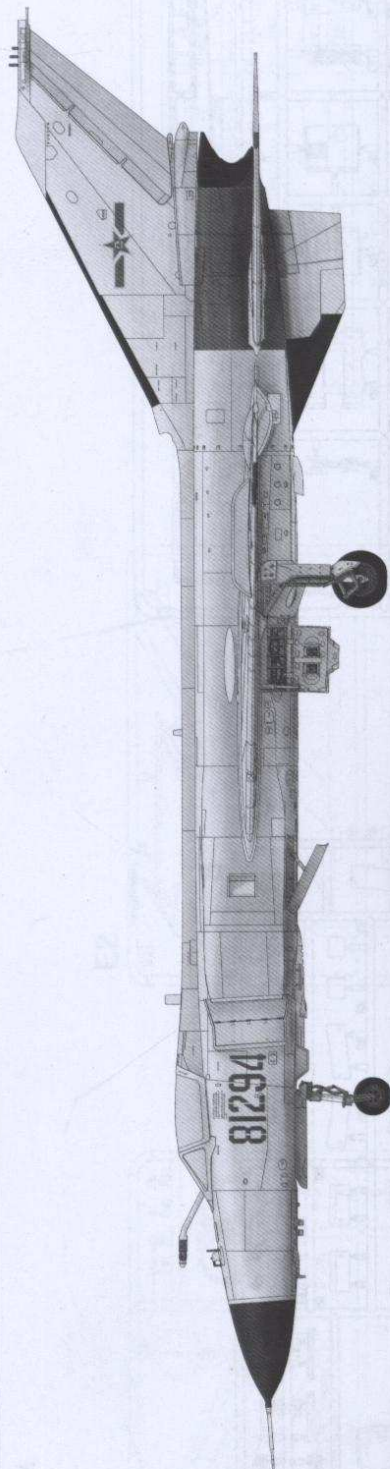


ITEM NO.: 02846



Chinese J-8D Finback

中国J-8D “长须鲸” 战斗机

1/48 scale

READ BEFORE ASSEMBLY:

- This kit is not recommended for inexperienced modelers or for children under 14 years of age
- Study and understand these instructions thoroughly before beginning assembly
- When needed, remove photo-etch parts carefully using a modeling knife or photo etch sprue cutter, being careful not to damage or lose small parts.
- Take extra care in handling photo etch parts in order to avoid injury
- Apply instant cement sparingly to photo etch parts where instructed

- Tools recommended(not included in kit):Plastic and instant cements,sprue cutters,long nose pliers,modeling knife, small files, tweezers, pin vise & scissors. Soft cloth and sandpaper will also assist in construction.
- Glue and paint are not included in the kit. Use plastic cement and hobby paints only. Color guide for purchasing paint is included in the kit.
- Keep out of reach of small children. They must not be allowed to ingest small parts or handle plastic bags in any way.

装配之前仔细阅读

- 小心用模型锉刀锉平所有零件表面的注射浇口。
- 小心用刀片切下蚀刻片零件，不要遗失小零件。
- 用力快干胶水粘合蚀刻片零件和金属轴。过量的快干胶水使用可能导致可动零件会粘住，小心涂胶。
- 取蚀刻片时应特别注意安全，防止利边划伤手指。
- 某些零件表面需贴水上贴纸，请选择在装配的同时进行。
- 推荐模型工具(自备)：胶水，水口剪刀，长咀钳，刀片，锉刀，镊子钳，钻，剪刀，瞬间快干胶。
- 软布同砂纸同时也应该是必备工具。
- 请使用塑料胶水和油漆，模型内不含。
- 谨防小孩吸吮塑料零件，或者将塑料袋套在头上，制作时应将套材远离小孩接触。
- 本产品不适合14岁以下没有经验的模型爱好者。

水贴纸的使用:

1. 从水贴上剪下印花;
2. 将印花放入温水中浸10秒, 然后放在干净布上.
3. 拿着印花纸版将印花移到模型上;
4. 手指蘸水将印花移到适当的位置;
5. 用软布轻压印花直至水干, 汽泡消失.

DECAL APPLICATION:

1. Cut decals from sheet as needed
2. Dip the decal in warm water for about 10 seconds and then place on soft clean cloth.
3. Hold the decal backing sheet edge and gently slide the decal onto the model in its proper position.
4. While still wet, decal can be adjusted for better fit on model by dampening it gently with your finger.
5. When placed in the proper position, gently press decal down with a soft cloth until excess water and air bubbles are gone.
6. Allow decal to dry completely before handling model



使用强力胶

Cyanoacrylate glue



配重 Weight

Make hole



选择 Option

钻孔

不涂胶水 No cement



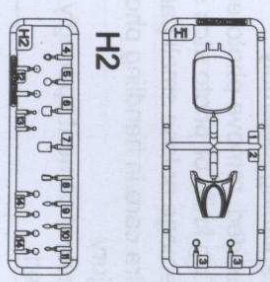
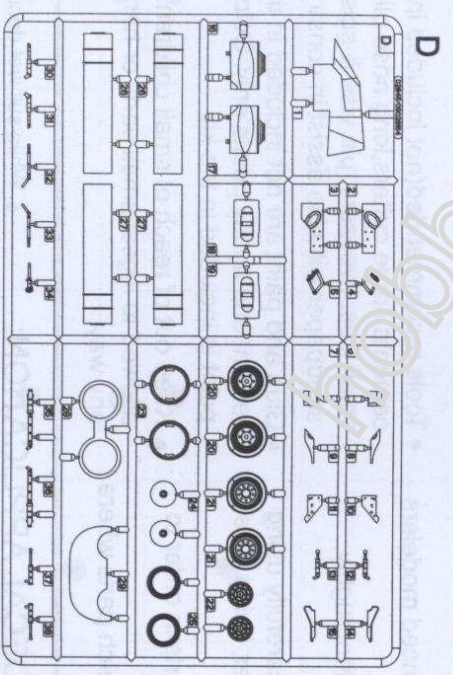
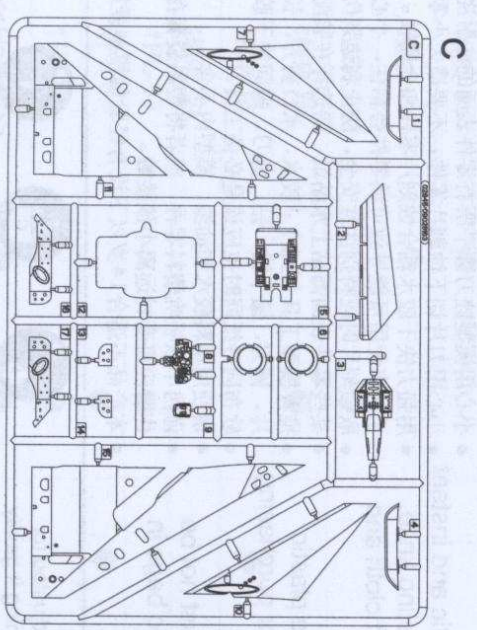
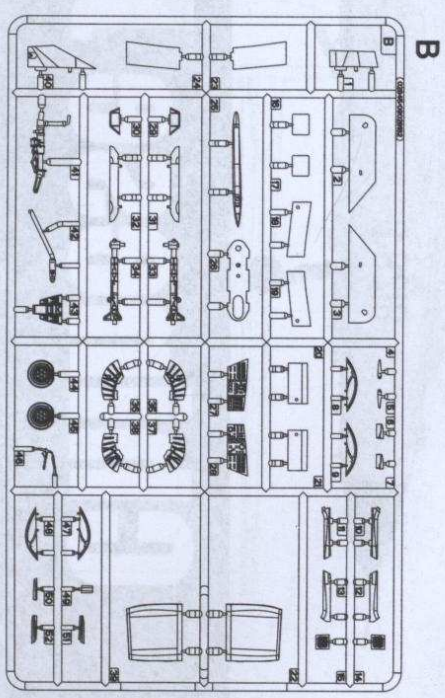
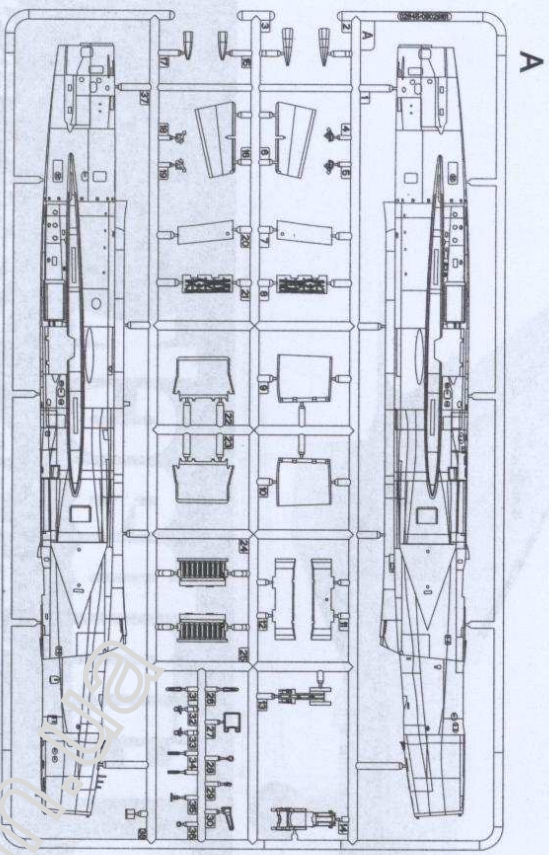
贴纸 Decal

锉平 File / Sand

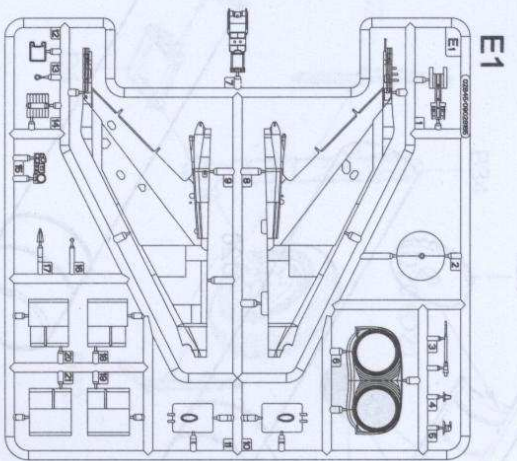
去除 Cut / Remove

弯曲 Bend

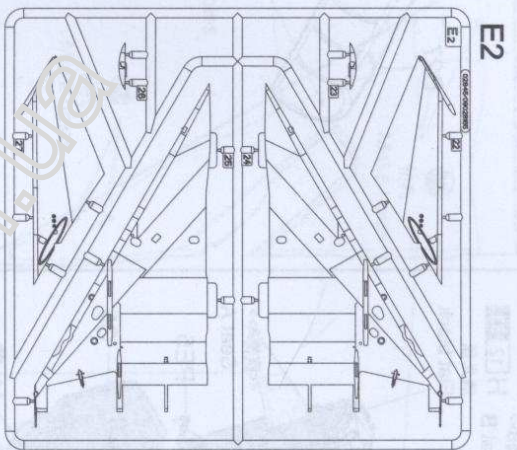
部品图 parts



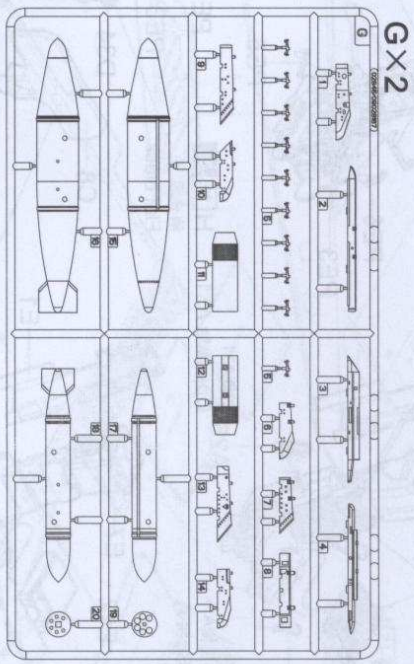
部品图 parts



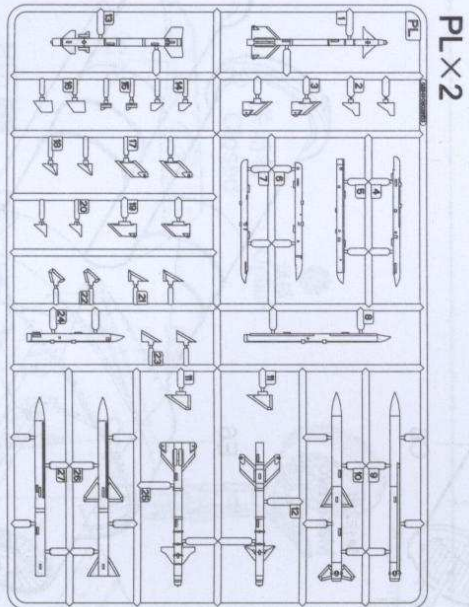
E1



E2

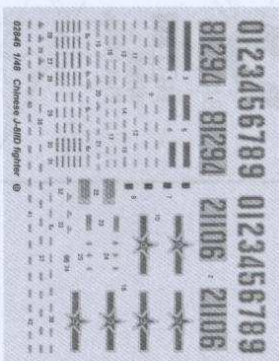


GX2

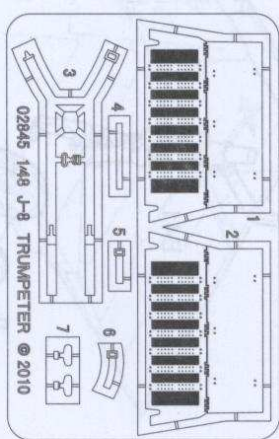


PLX2

水貼
Decal

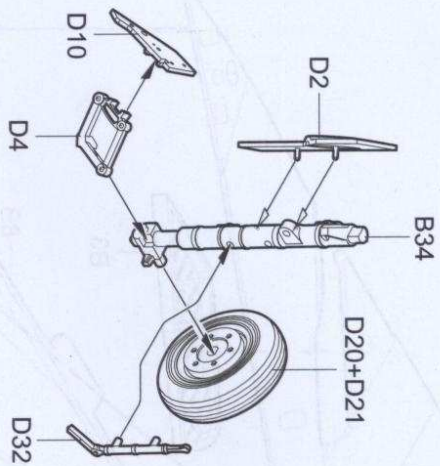


蚀刻片
PE



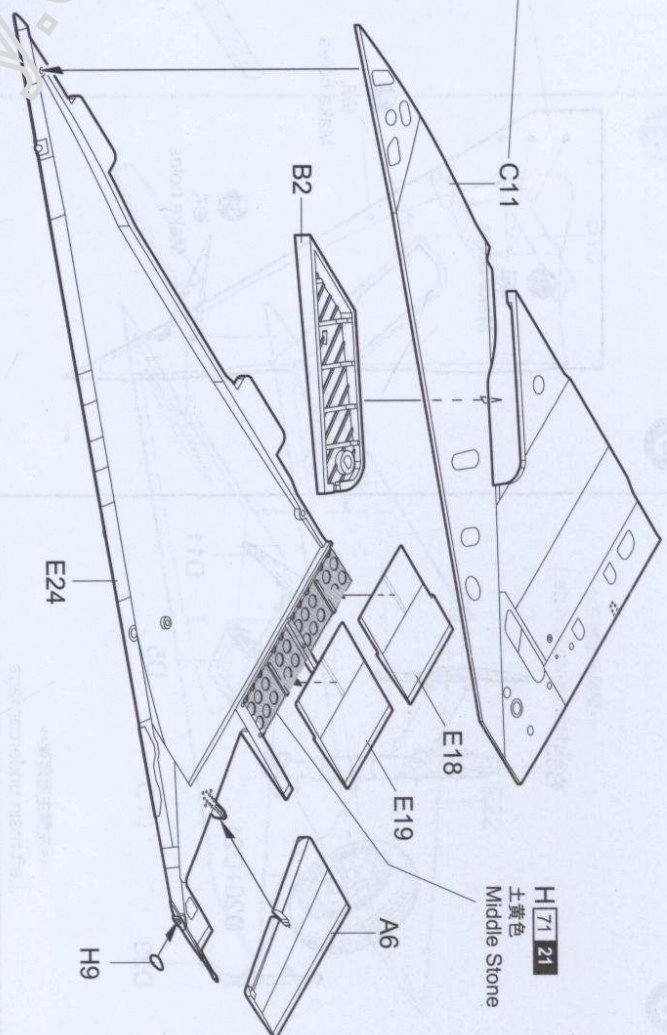
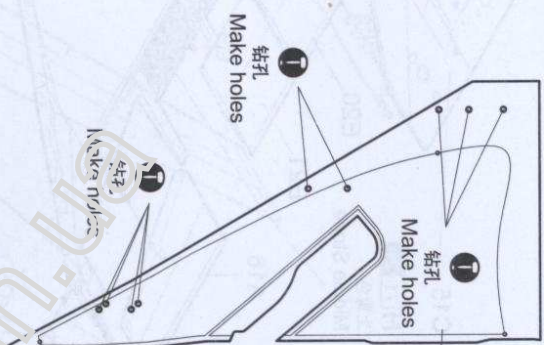
不用零件: A4 A5 A32 A33 B4 B5 D6 D7 PL6 PL8 PL9 PL10 PL11
Unused parts PL13 PL14 PL15 PL16 PL21 PL22 PL23 PL24 PL26 PL27 H4
H8 H11 H12

4

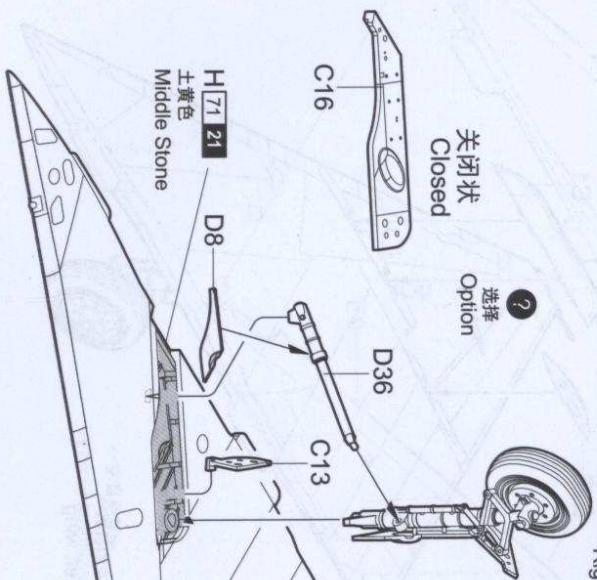


<<右侧主起落架>>
Right main undercarriage

5

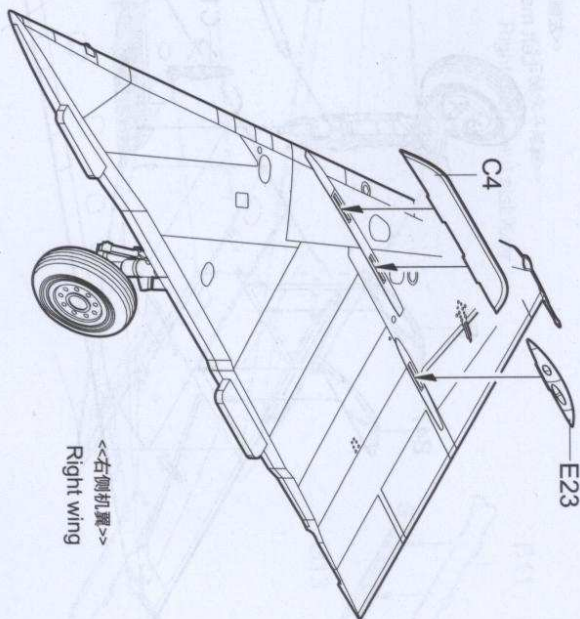


6



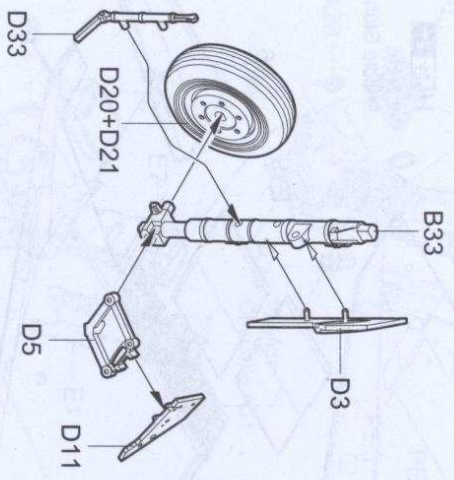
<<右侧主起落架>>
Right main undercarriage

7



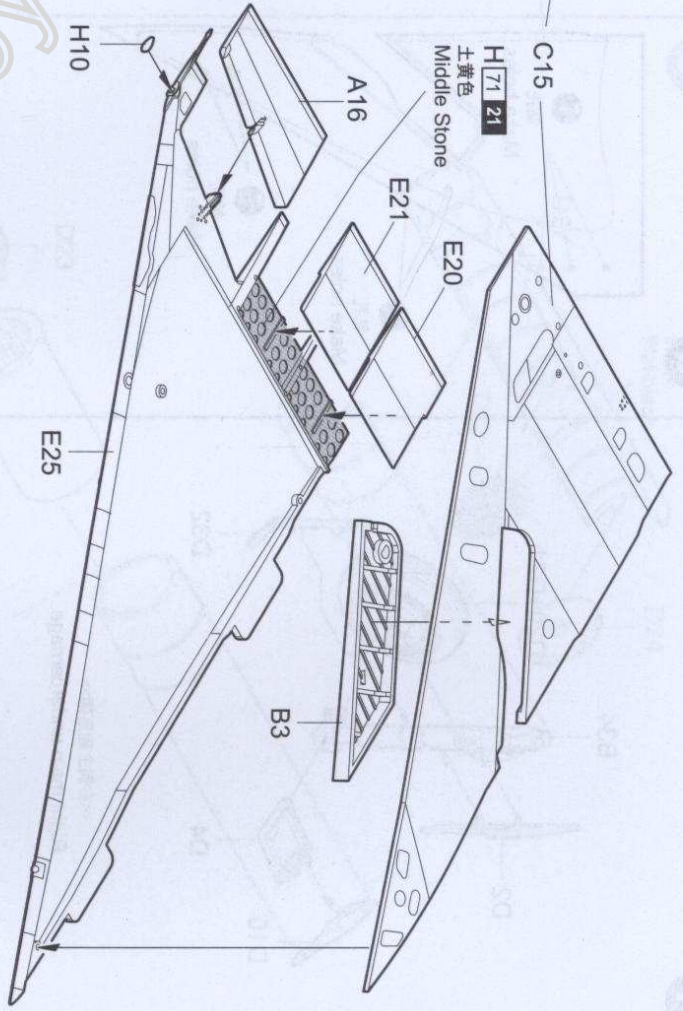
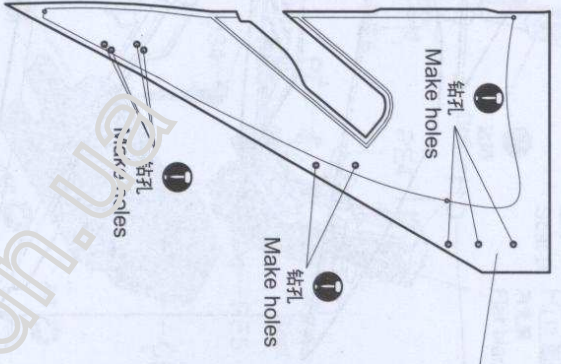
<<右侧机翼>>
Right wing

8

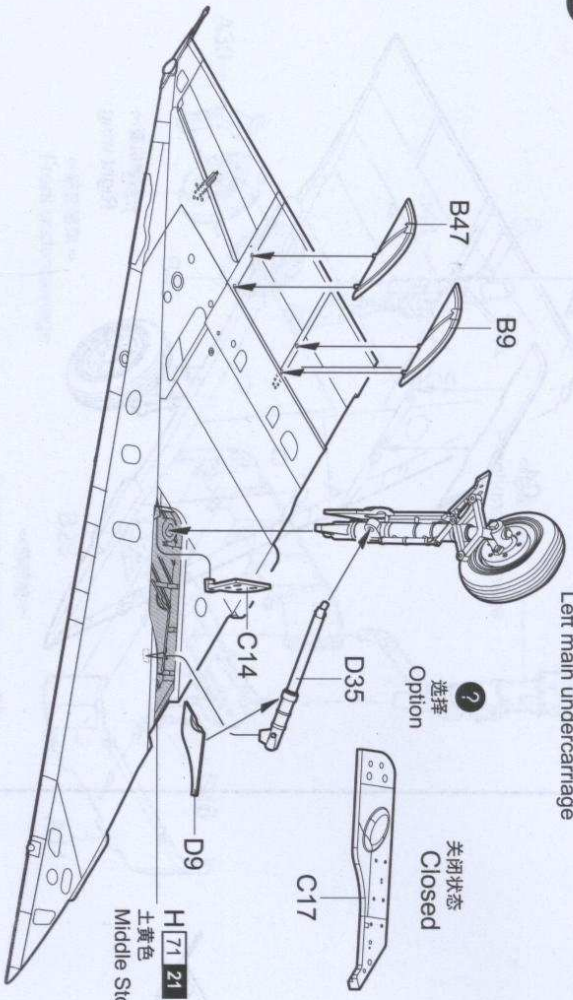


<<左侧主起落架>>
Left main undercarriage

9



10



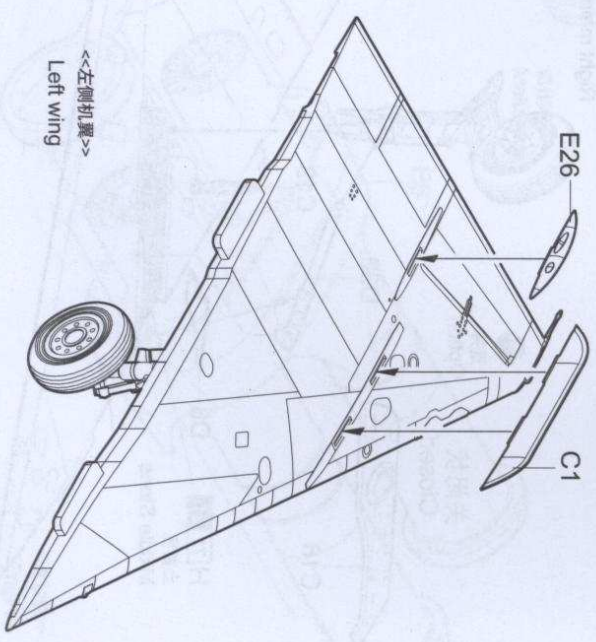
<<左侧主起落架>>
Left main undercarriage

选择
Option

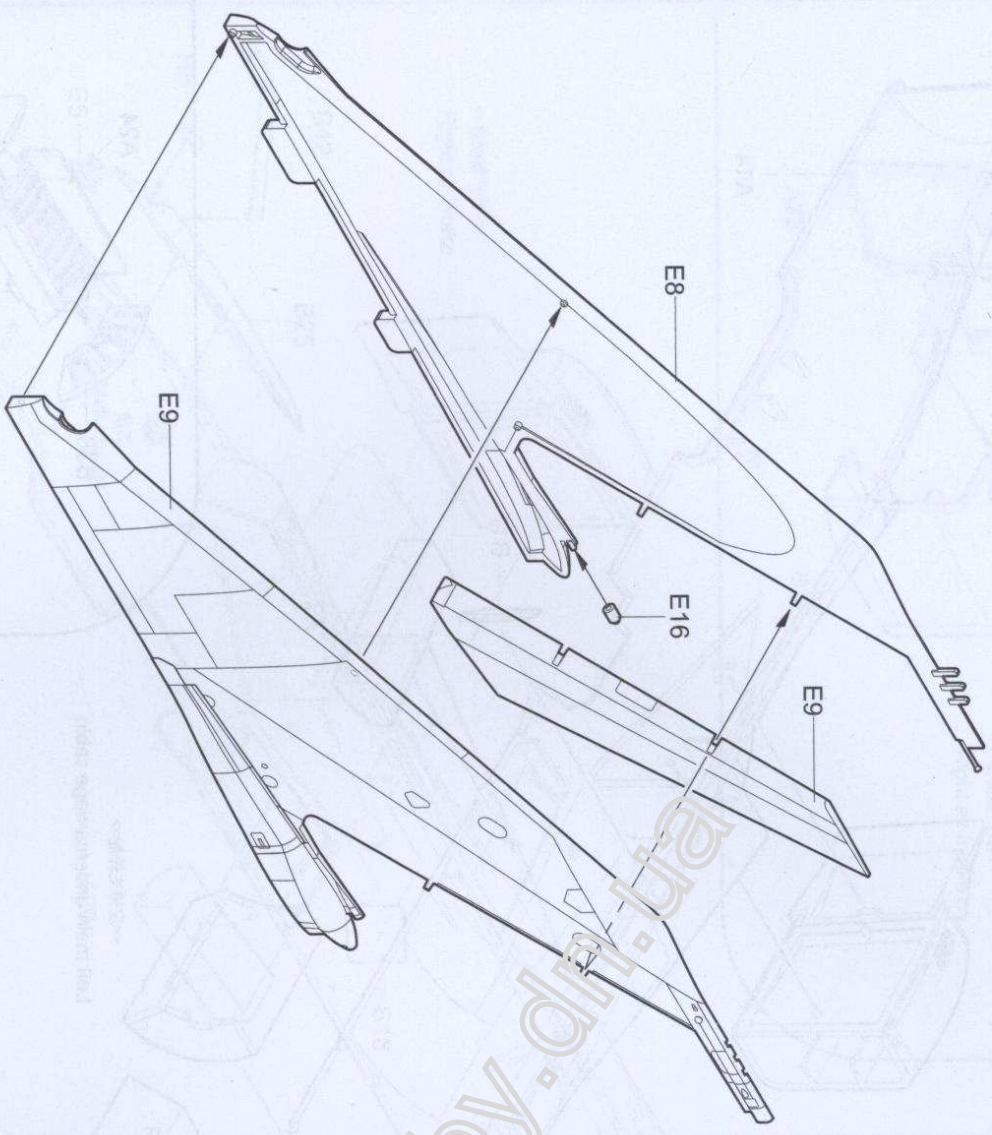
关闭状态
Closed

H71 21
土黄色
Middle Stone

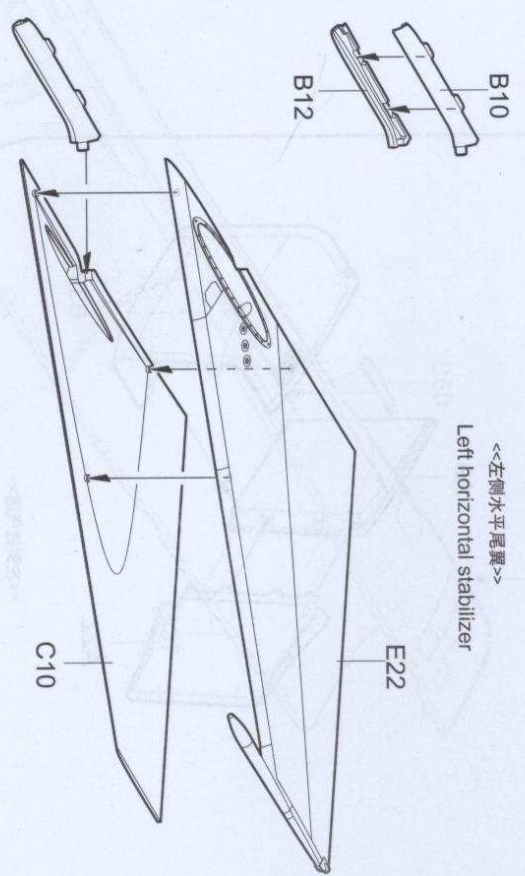
11



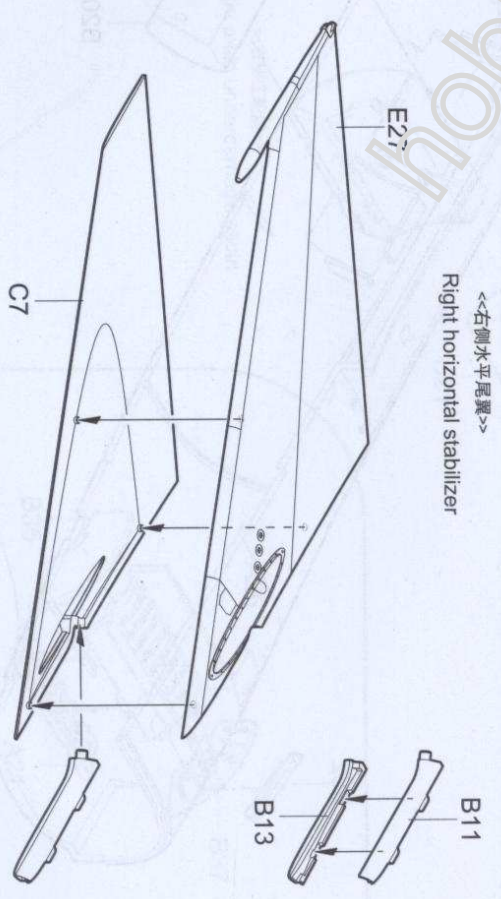
<<左侧机翼>>
Left wing



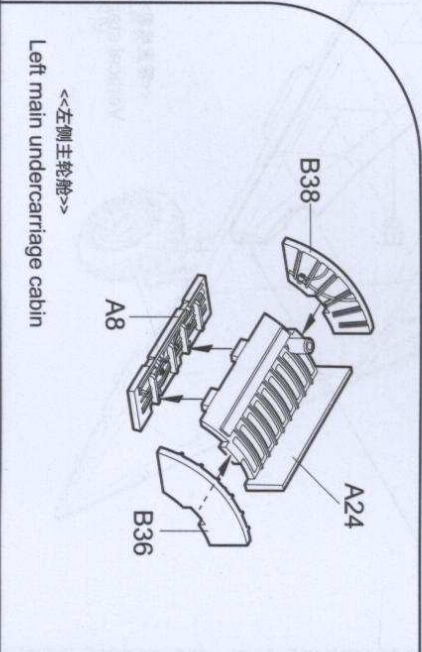
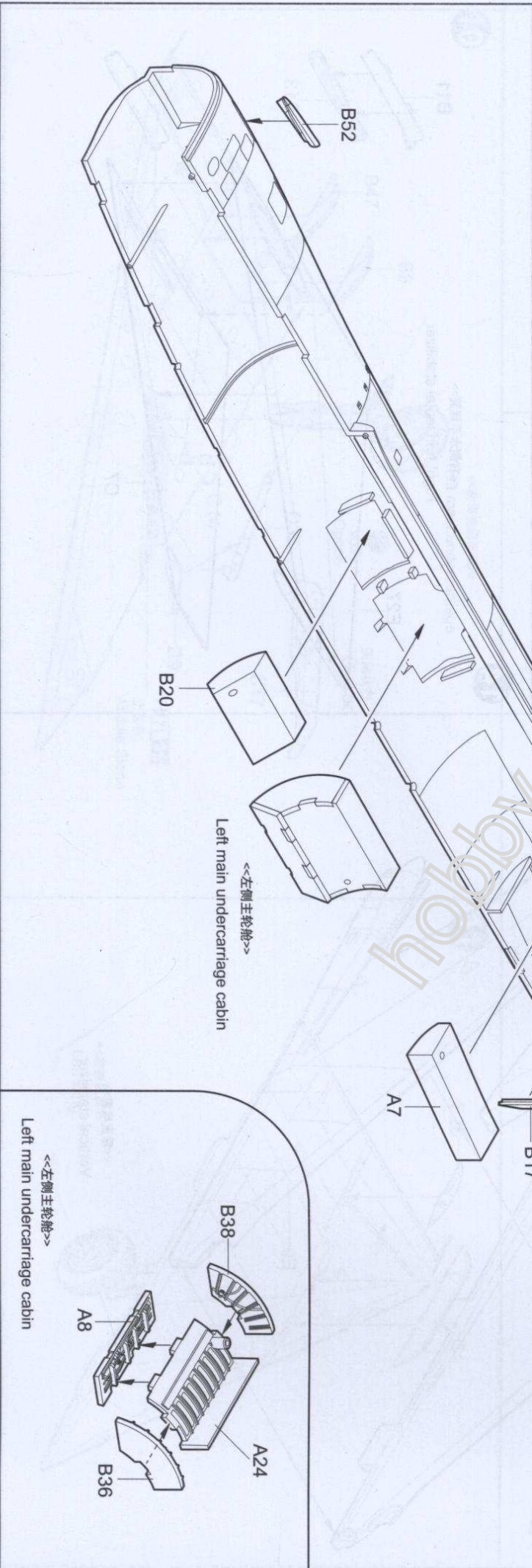
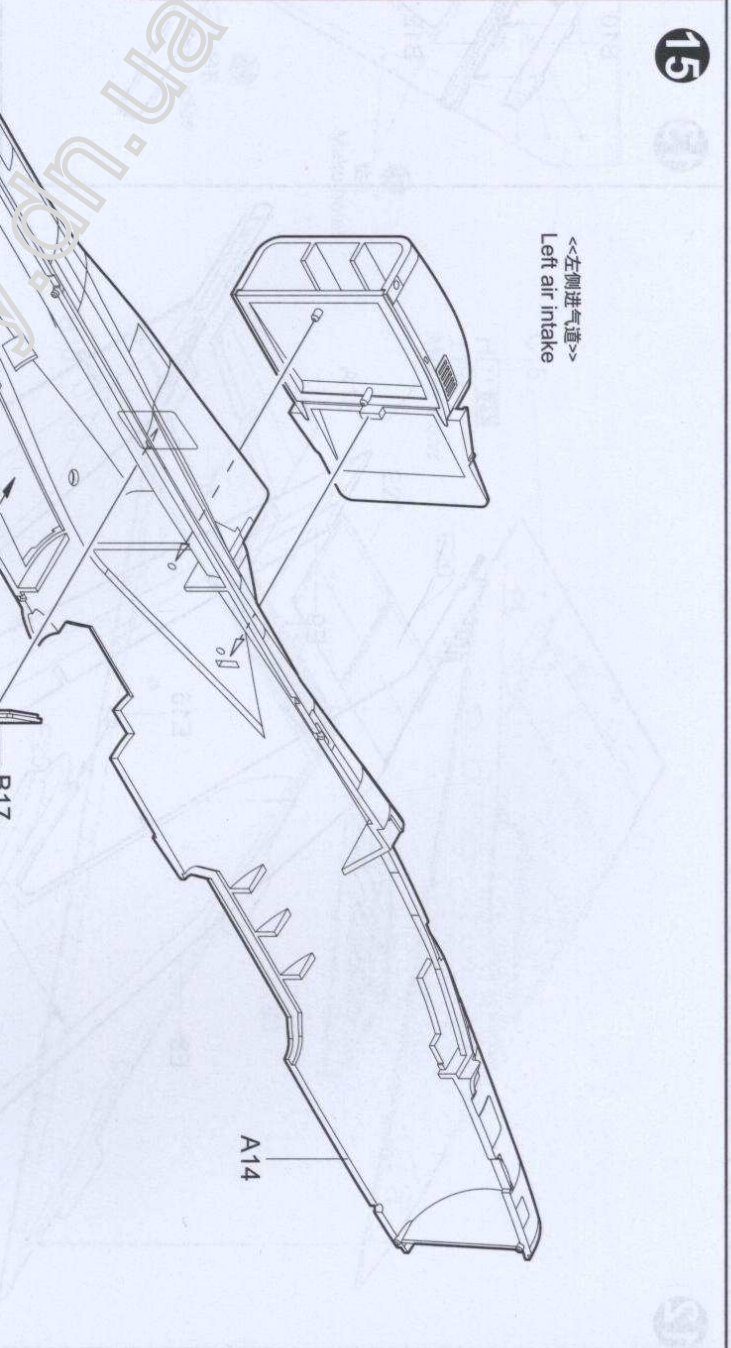
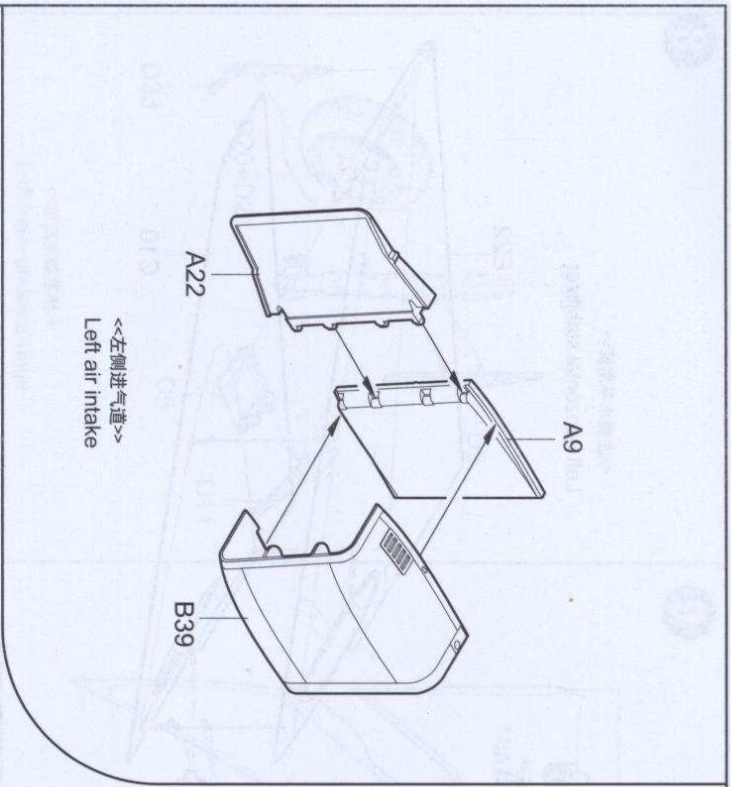
<<垂直尾翼>>
Vertical stabilizer

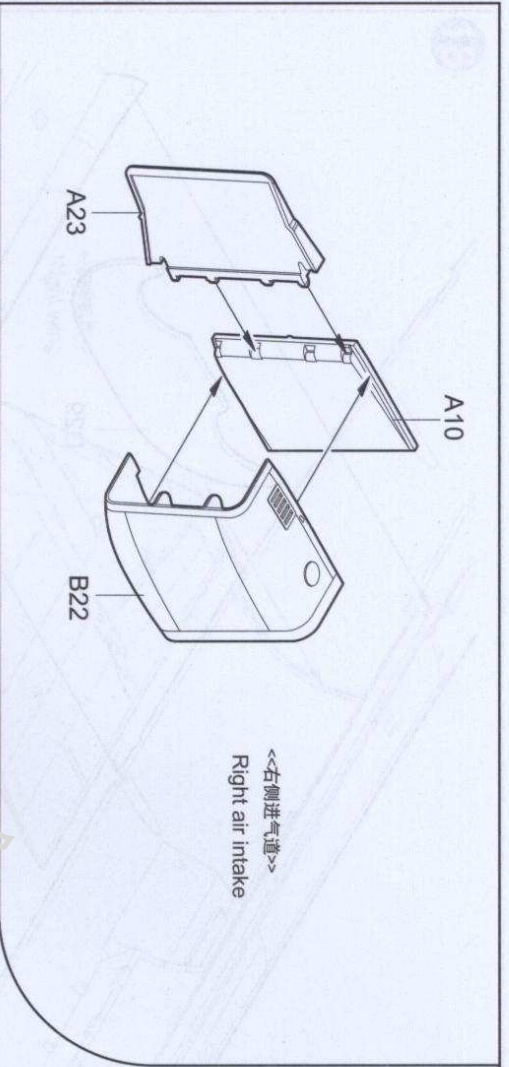


<<左侧水平尾翼>>
Left horizontal stabilizer

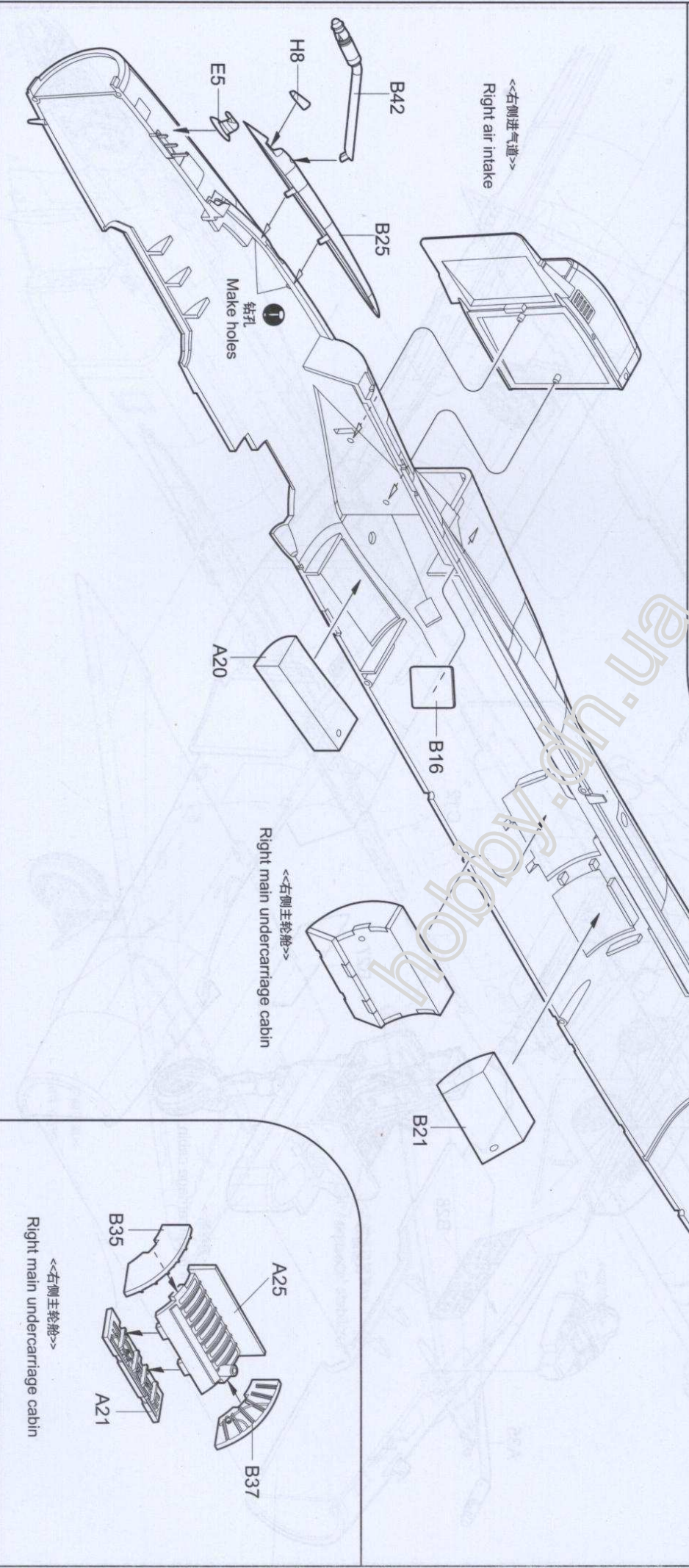


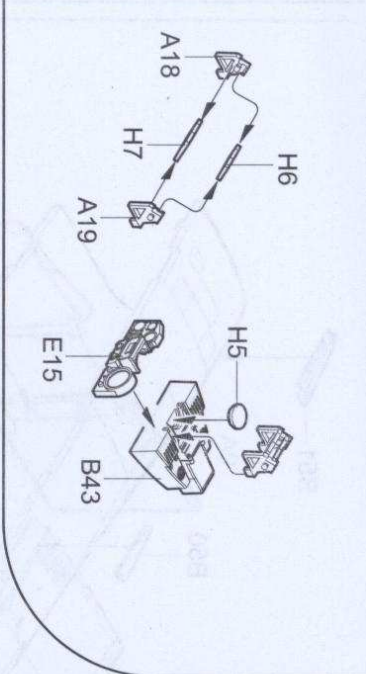
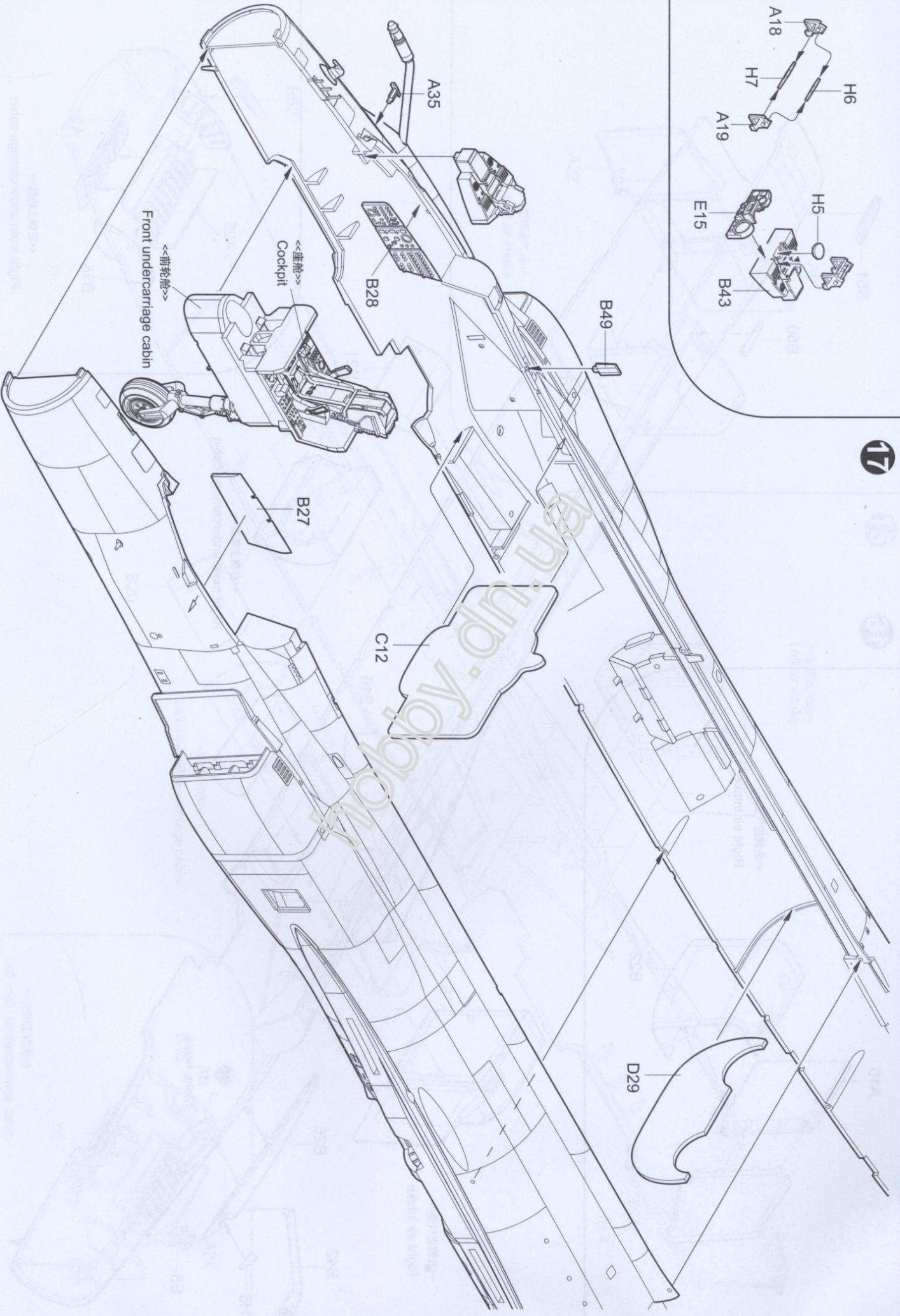
<<右侧水平尾翼>>
Right horizontal stabilizer

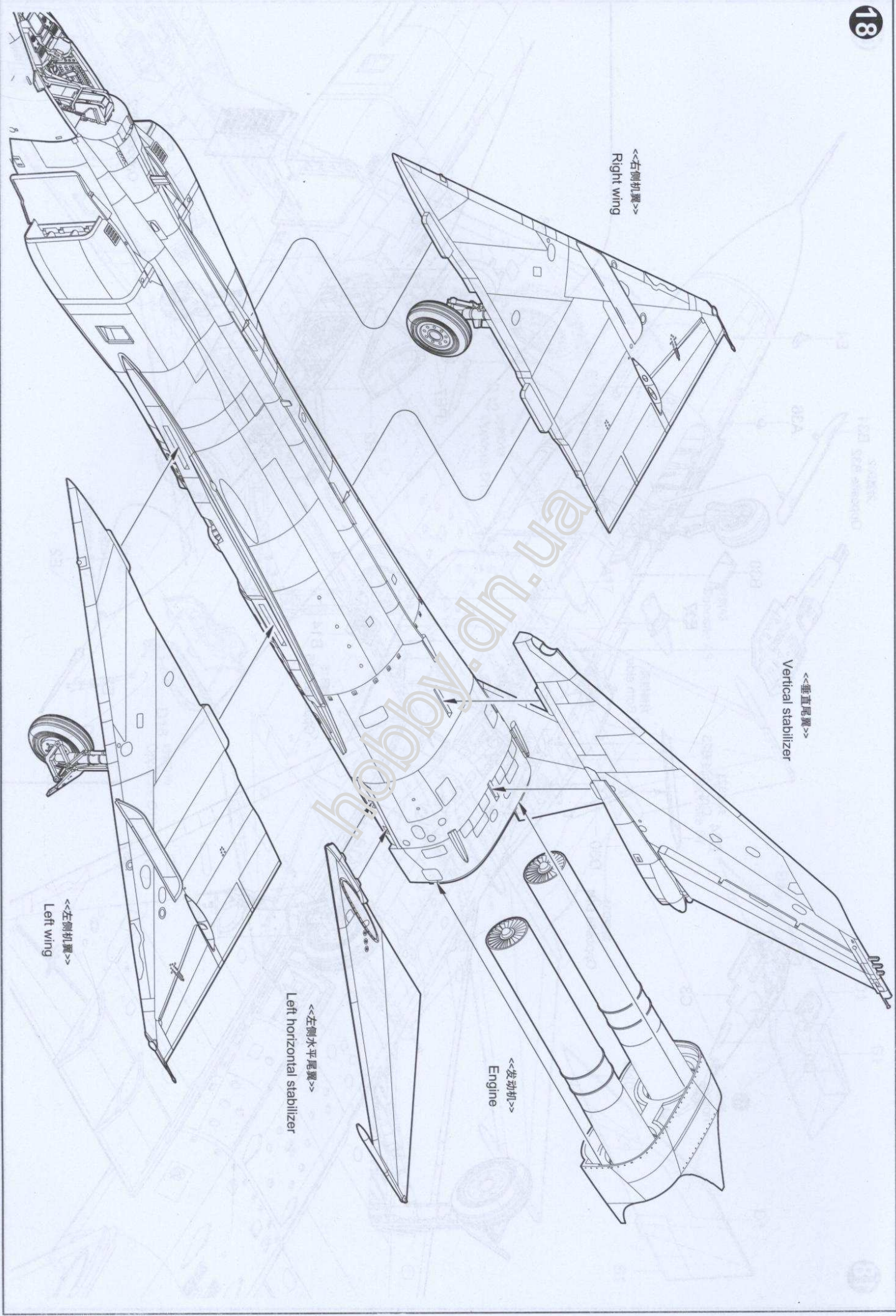


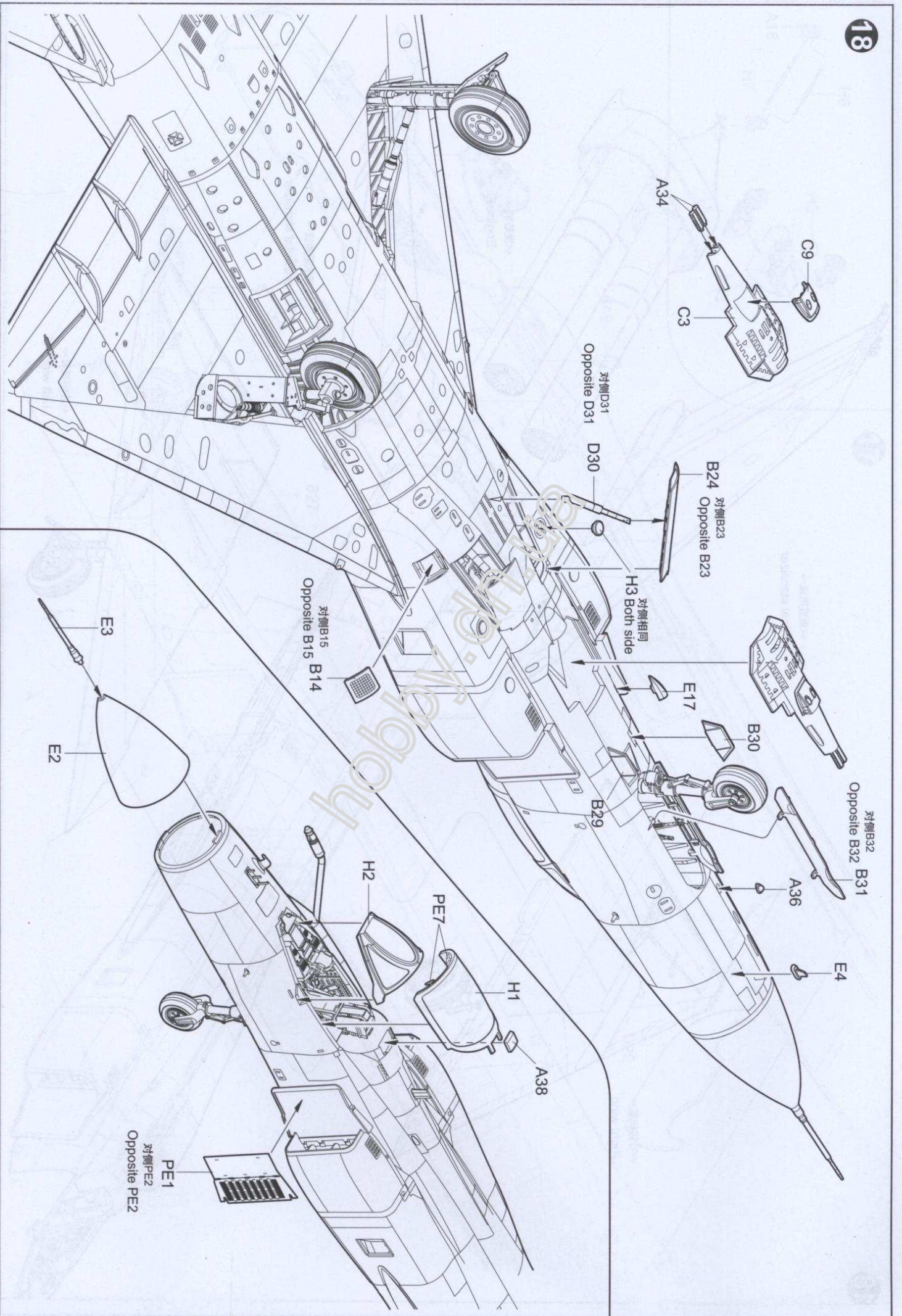


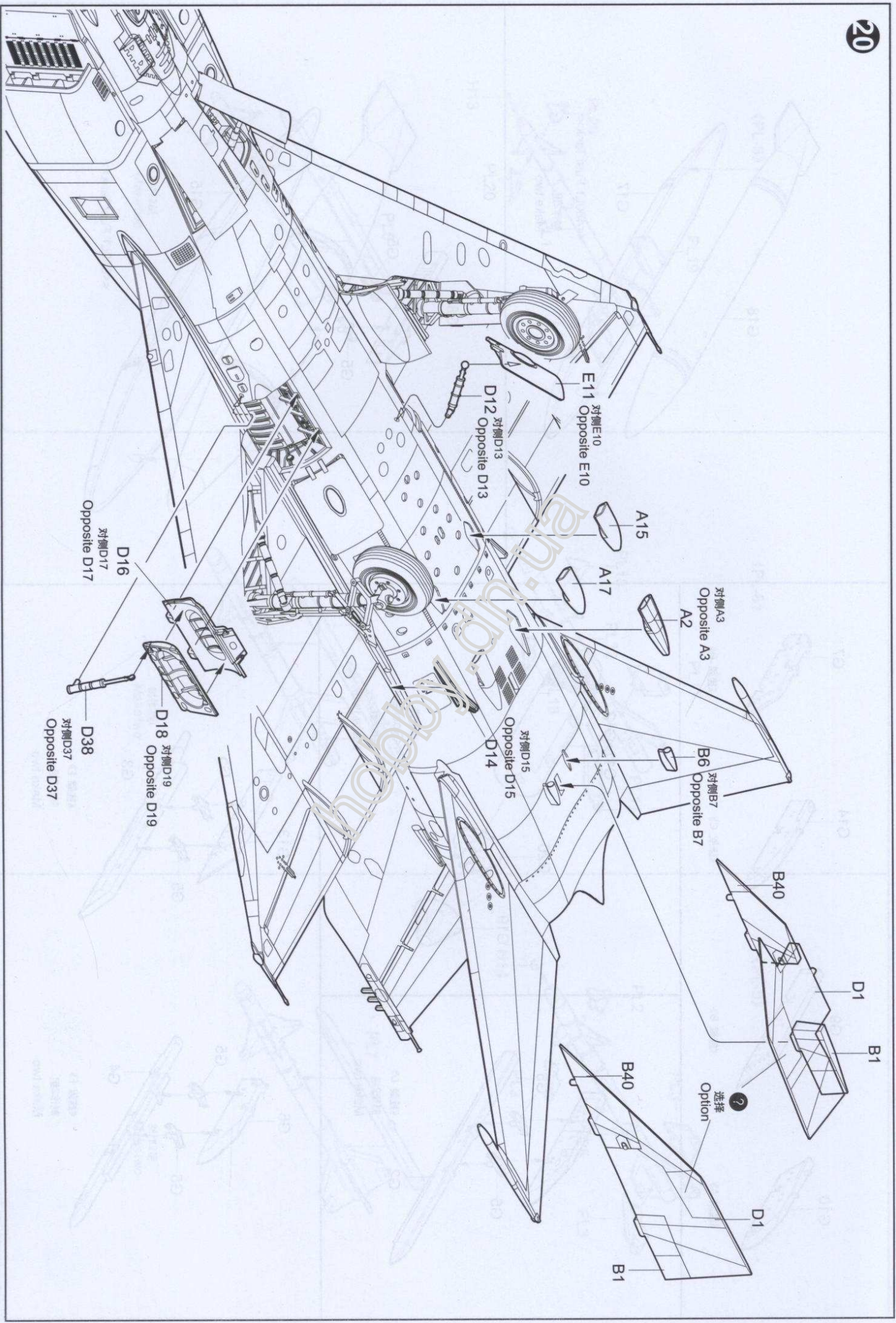
16

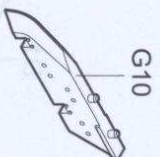




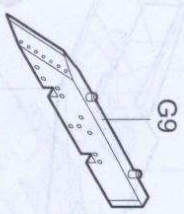




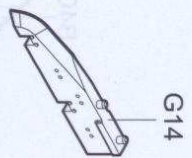




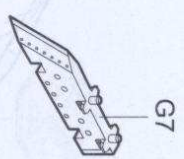
《挂架 A》



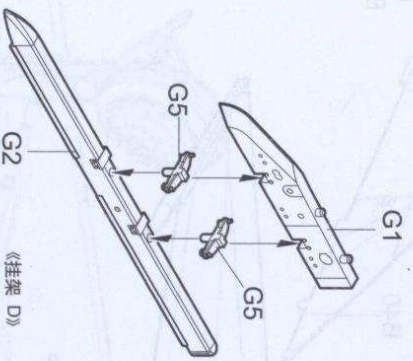
《挂架 B》



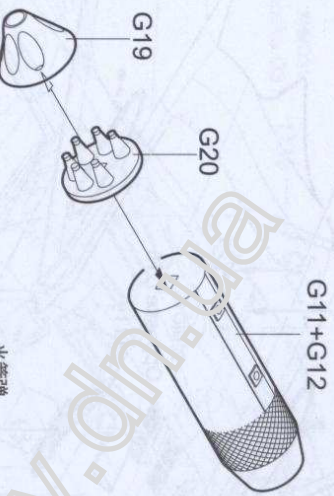
《挂架 C》



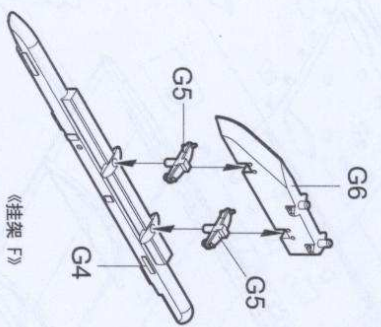
《挂架 G》



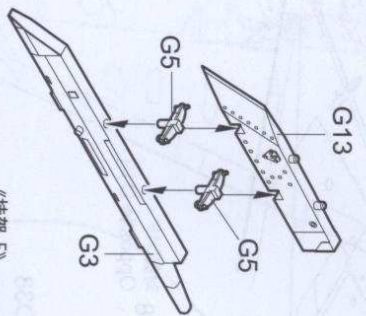
《挂架 D》
制作2组
Make two



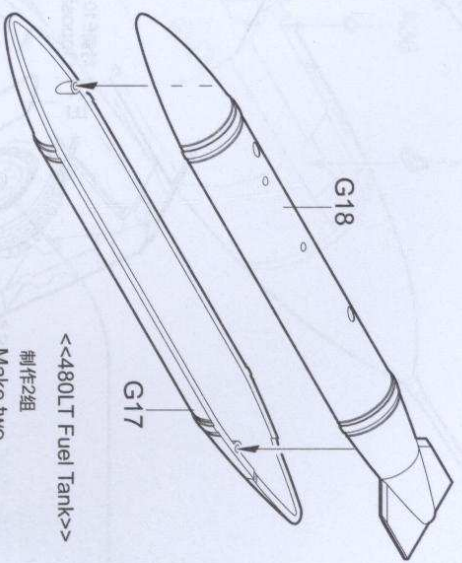
火箭弹
<<Rocket>>
制作2组
Make two



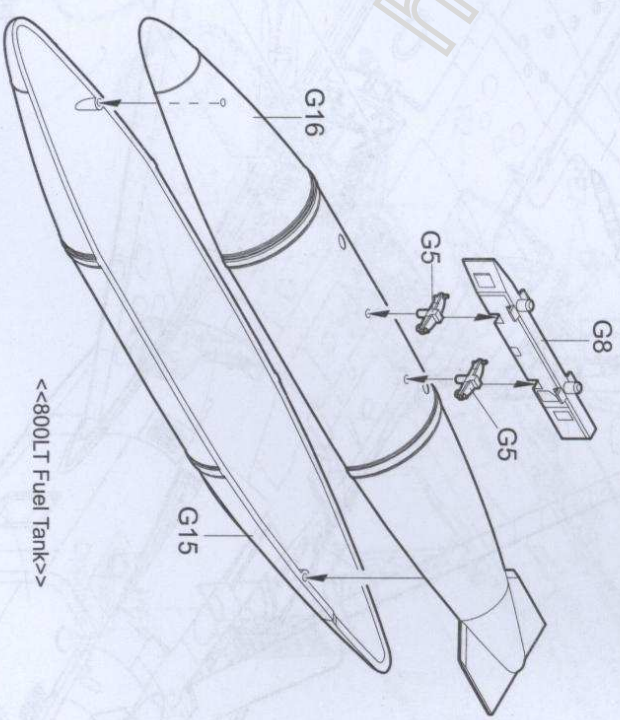
《挂架 F》
制作2组
Make two



《挂架 E》
制作2组
Make two

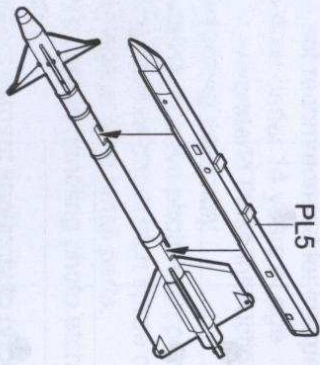
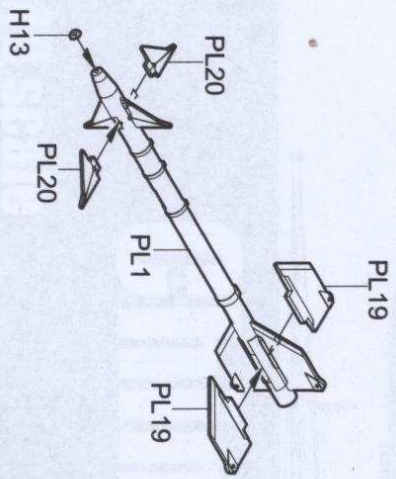


<<480LT Fuel Tank>>
制作2组
Make two



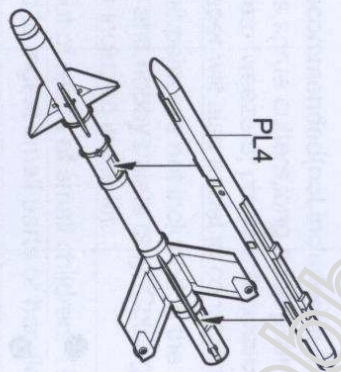
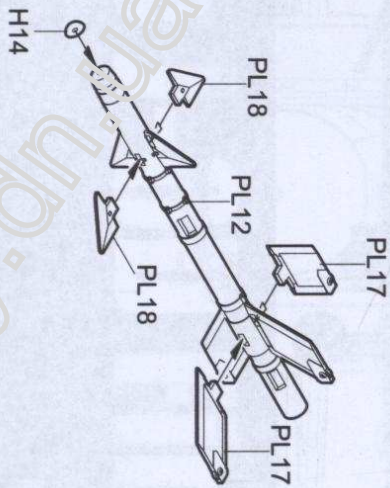
<<800LT Fuel Tank>>

《PL-5》



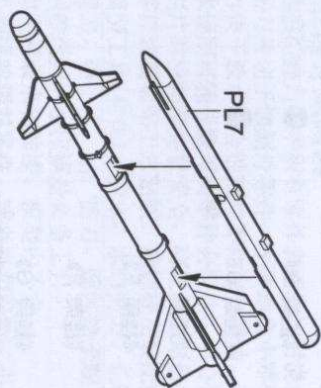
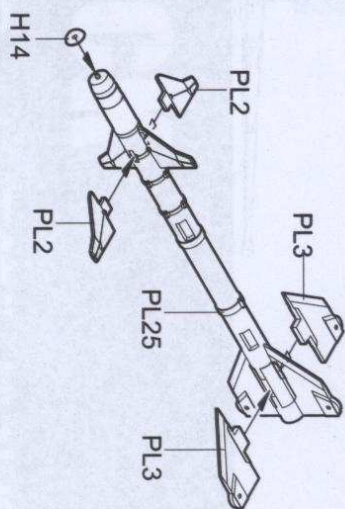
制作2组
Make two

《PL-8》

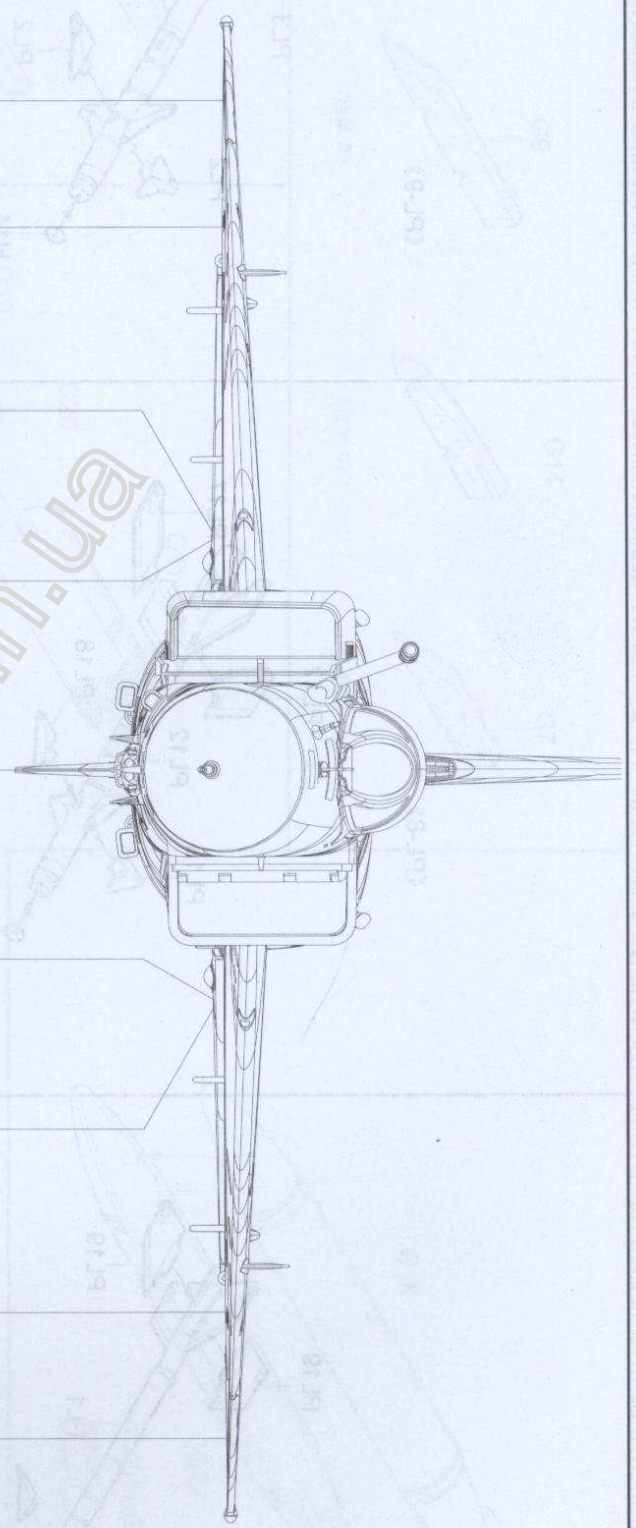


制作2组
Make two

《PL-9》



制作2组
Make two



Missile/Tank	Sta.No.								
《挂架 A》		●							●
《挂架 B》		●							●
《挂架 C》		●							●
《挂架 D》			●						●
《挂架 E》			●						●
《挂架 F》				●					●
《挂架 G》					●				●
《PL-5》			●						●
《PL-8》			●		●				●
《PL-9》			●						●
<<Rocket>>		●	●		●				●
<<480L T Fuel Tank>>		●	●		●				●
<<800L T Fuel Tank>>								●	

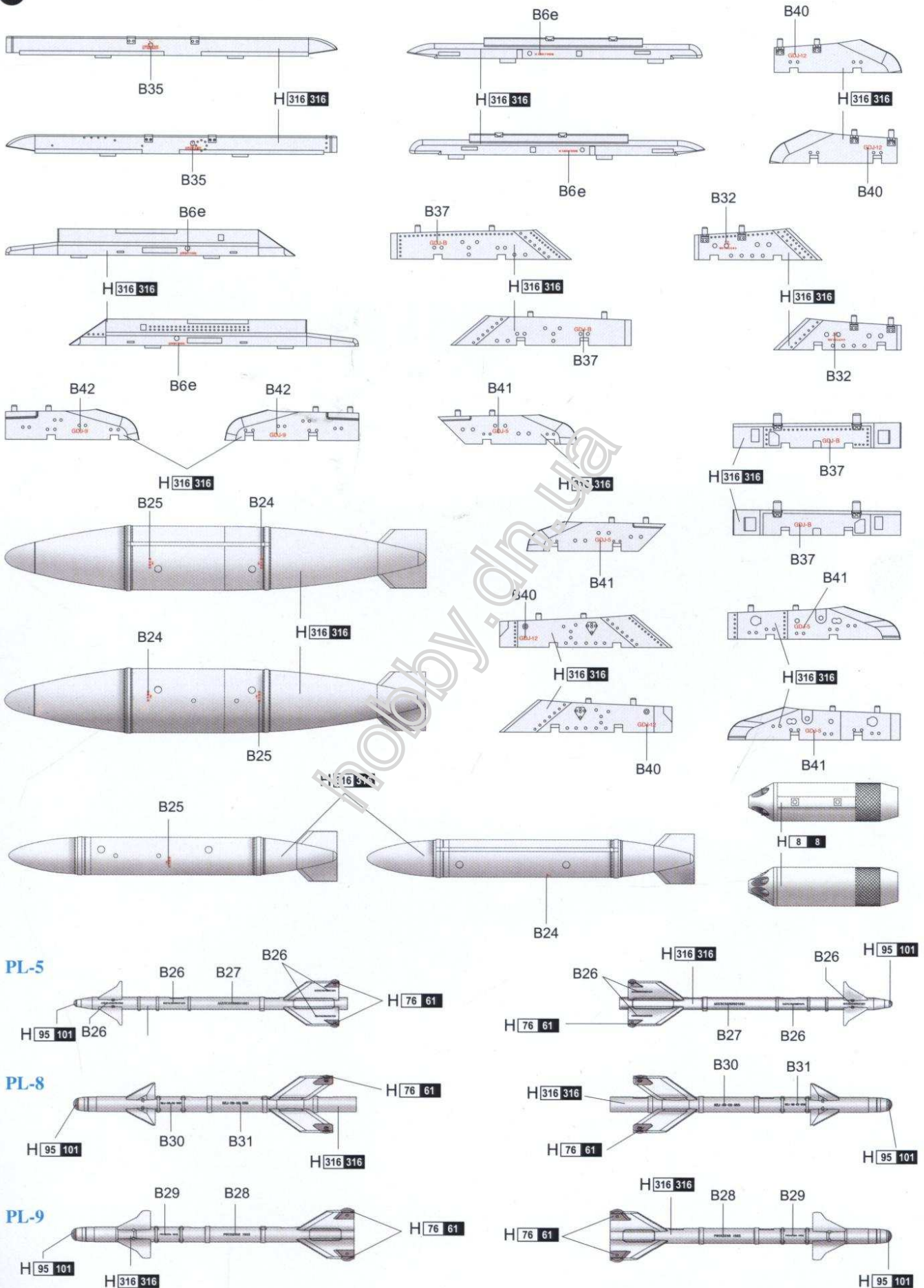
涂装同标贴指示

Painting & Marking guide

PAINT REFERENCE COLOUR

Color	Mr.Hobby	Vallejo	Model Master	Tamiya	Humbrol	Color	Mr.Hobby	Vallejo	Model Master	Tamiya	Humbrol
Burnt Iron 赭灰色	H 76 61	863	1795	XF10	53	Smoke Blue 烟灰色	H 95 101	-	-	-	-
Silver 银色	H 8 8	997	1746	X11	11	White 白色	H 316 316	991	1745	X2	22

③



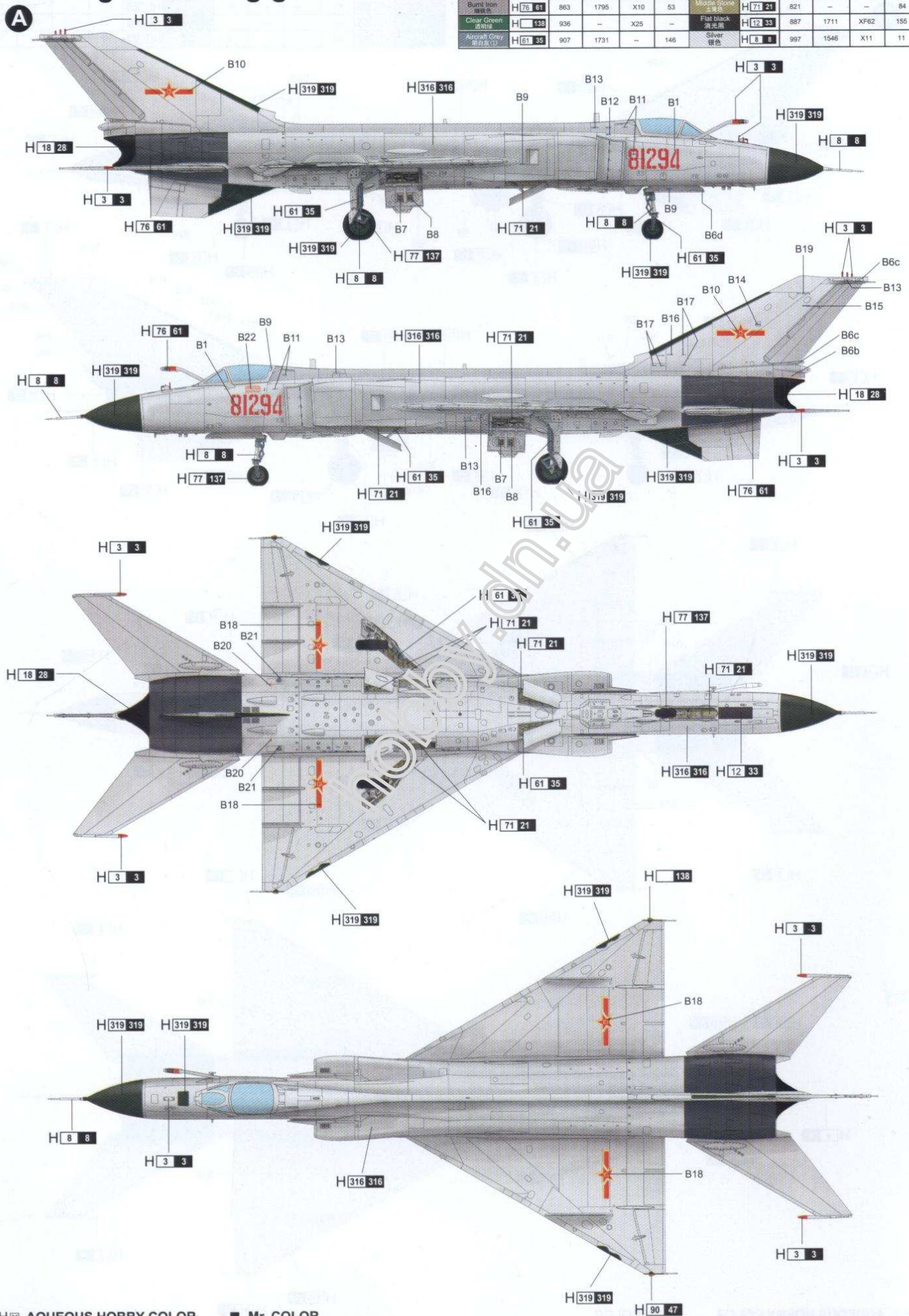
□ AQUEOUS HOBBY COLOR ■ Mr. COLOR

涂装同标贴指示

Painting & Marking guide

PAINT REFERENCE COLOUR

Color	Mr.Hobby	Vallejo	Model Master	Tamiya	Humbrol	Color	Mr.Hobby	Vallejo	Model Master	Tamiya	Humbrol
Clear Red 透明红	H 90 47	934	-	X27	-	Tint Black 加黑色	H 77 137	-	-	-	-
RED 红色	H 3 3	908	1503	X7	19	White Insignia 白色	H 316 316	991	1745	X2	22
Silver/Alu Black 银灰/黑	H 18 28	864	1402	-	-	Light Green 浅绿色	H 61 35	-	1731	-	117
Burnt Iron 锈色	H 76 61	863	1795	X10	53	Moss Green 苔绿色	H 71 21	821	-	-	84
Clear Green 透明绿	H 138	936	-	X25	-	Flat black 消光黑	H 12 33	887	1711	XF62	155
Aircraft Grey 银灰(灰)	H 61 35	907	1731	-	146	Silver 银色	H 8 8	997	1546	X11	11



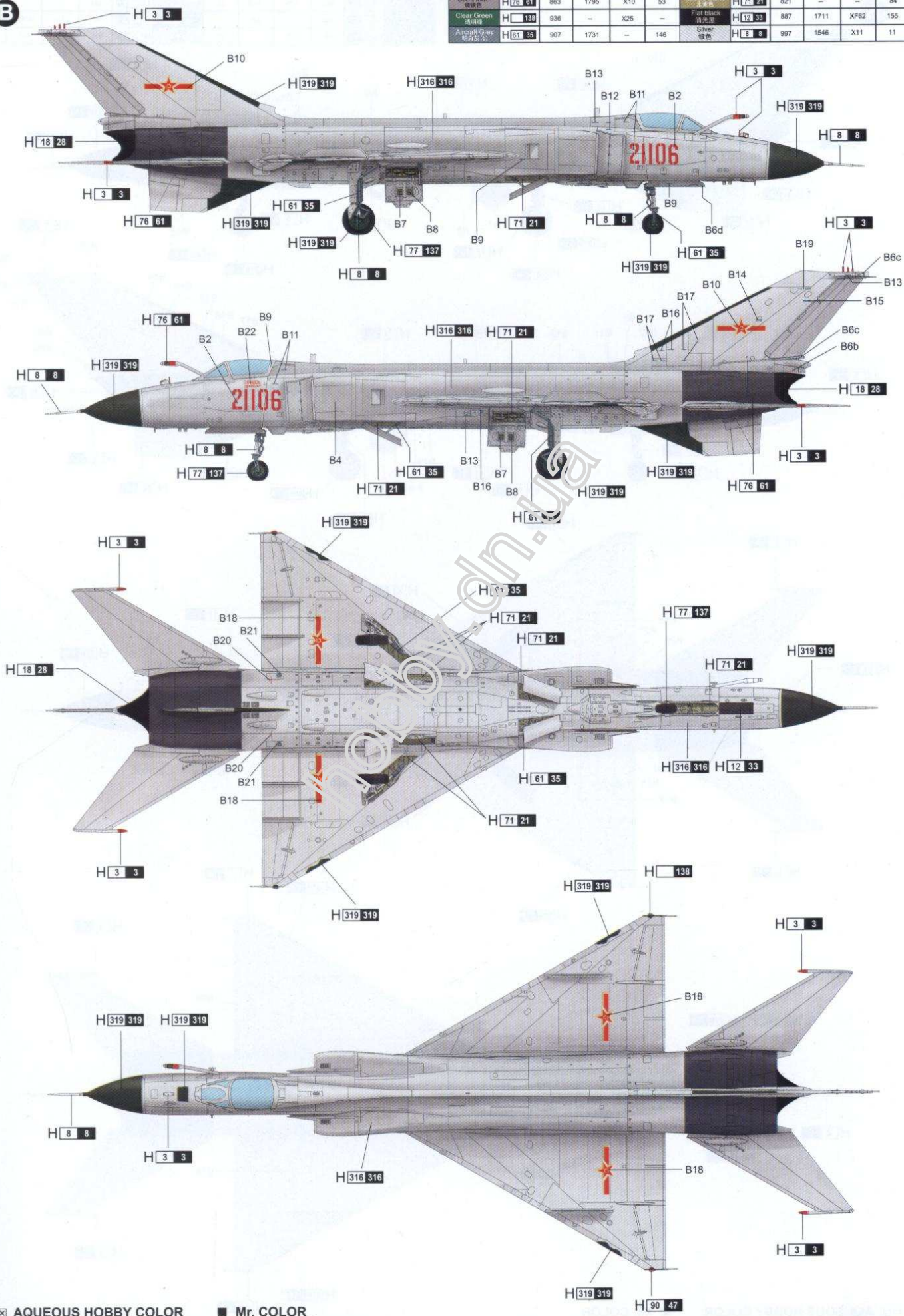
H AQUEOUS HOBBY COLOR ■ Mr. COLOR

涂装同标贴指示 Painting & Marking guide

B

PAINT REFERENCE COLOUR

Color	Mr.Hobby	Vallejo	Model Master	Tamiya	Humbrol	Color	Mr.Hobby	Vallejo	Model Master	Tamiya	Humbrol
Clear Red 透明红	H 90 47	934	-	X27	-	Tire Black 轮胎黑	H 77 137	-	-	-	-
RED 红色	H 3 3	908	1503	X7	19	White Insignia 白色	H 316 316	991	1745	X2	22
Stainless Black 不锈钢黑	H 18 28	864	1402	-	-	Light Green 浅绿色	H 319 319	-	1731	-	117
Burnt Iron 烧铁色	H 76 61	863	1796	X10	53	Milky Spine 乳白色	H 71 21	821	-	-	84
Clear Green 透明绿	H 138	936	-	X25	-	Flat black 消光黑	H 12 33	887	1711	XF62	155
Aircraft Grey 银灰色	H 51 35	907	1731	-	145	Silver 银色	H 8 8	997	1546	X11	11



H AQUEOUS HOBBY COLOR ■ Mr. COLOR